



产品编号 : 16020119

Product Description : SL Crimp Terminal,  
Series 71851, Female, with 0.38µm  
Selective Gold (Au) Plated Contact, 24-30  
AWG, Reel

系列号 : 71851

状态 : Active

Product Category : Crimp Terminals

工程编号 : 71851-0006

Packaging Alternative : 0016021109 (Bag)



---

## 文件和资源

### 图纸

图纸 [016020119\\_sd.pdf](#)

### 规格

产品规格 [PS-70400-001.pdf](#)

产品规格 [PS-71851-001.pdf](#)

---

## 产物环境合规

### 合规

GADSL/IMDS	Not Relevant
China RoHS	
EU ELV	Not Relevant
Low-Halogen Status	Low-Halogen per IEC 61249-2-21
REACH SVHC	Not Contained per D(2023)3788-DC (14 Jun 2023)
EU RoHS	Compliant per EU 2015/863

### 多部分产品合规性声明

- Eu RoHS
- REACH SVHC
- Low-Halogen

### 多部分行业合规性文件

- IPC 1752A Class C

- IPC 1752A Class D
- Molex Product Compliance Declaration
- IEC-62474
- chemSHERPA (xml)

欧盟 RoHS 合格证书

## 产品详情

### 常规

状态	活动
类别	Crimp Terminals
系列	71851
说明	SL Crimp Terminal, Series 71851, Female, with 0.38 $\mu$ m Selective Gold (Au) Plated Contact, 24-30 AWG, Reel
应用	Signal, Wire-to-Board, Wire-to-Wire
产品系列	SL Modular Connectors
产品名称	SL
UPC	800753595729

### 物理

性别	女
材料 - 金属	Phosphor Bronze
材料 - 接合部位电镀	金牌
材料 - 终端电镀	Tin
净重	0.060/g
包装形式	Reel
最薄镀层 - 接合部位	0.381 $\mu$ m
最薄镀层 - 端接	1.905 $\mu$ m
终端界面类型	Crimp or Compression
导线绝缘直径	1.52mm max.
线径规格 (AWG)	24, 26, 28, 30
线缆尺寸mm <sup>2</sup>	不适用

### 进程

无铅	不适用
----	-----

---

## 施工工具

### 全局

描述	产品编号
Insertion Tool for 70021, 70028, 70110, 71851 Terminals / Extraction Tool for 91821 Terminals	<u>0011020022</u>
Extraction Tool for SL Terminals, 22-36 AWG	<u>0011030036</u>
Hand Crimp Tool for SL Crimp Terminals, 24-30 AWG	<u>2002187000</u>
FineAdjust Applicator for SL Female Crimp Terminal, Insulation OD 0.63-1.00mm, 24-30 AWG Wire	<u>0639001500</u>
FineAdjust Applicator for SL Female Crimp Terminal, Insulation OD 1.01-1.52mm, 24-30 AWG Wire	<u>0639003100</u>
T2 Terminator Tooling Die	<u>0639103100</u>

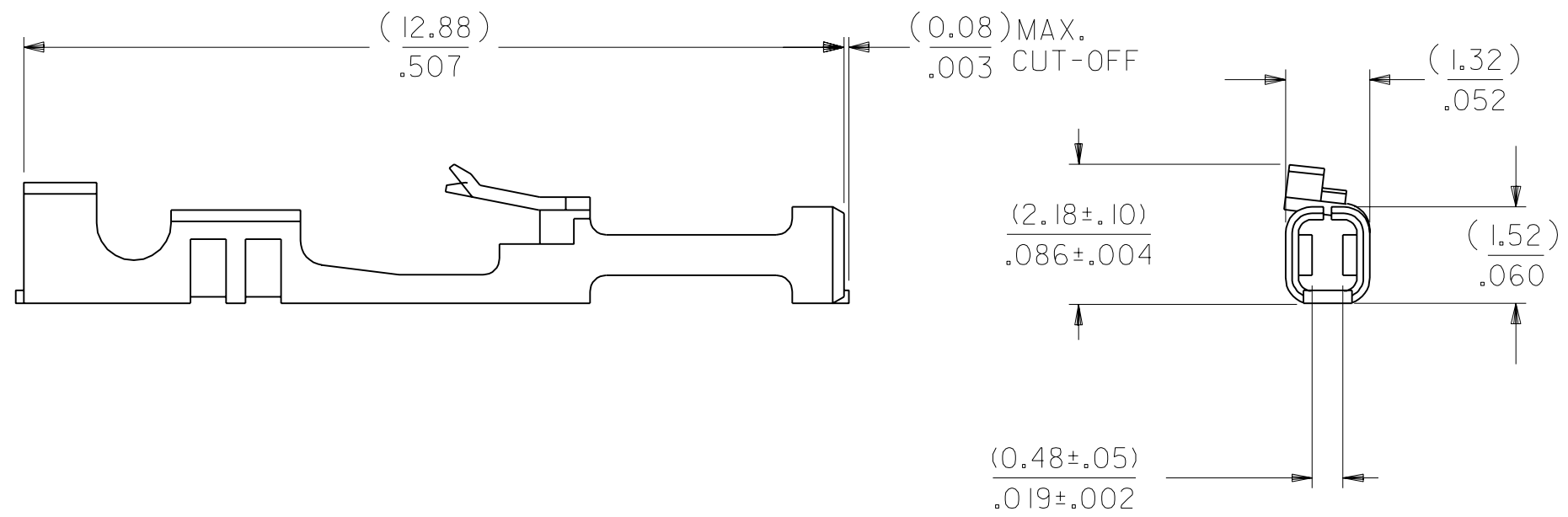
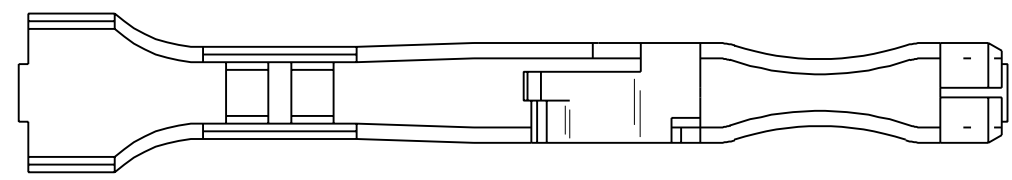
**NOTES:**

1. TERMINAL TO BE USED IN HOUSINGS 70066-\*\*\*\* AND 70450-\*\*\*\*
2. REFER TO PRODUCT SPECIFICATION PS-71851
3. REFER TO MOLEX OPERATIONS AND SERVICE MANUAL FOR CRIMP DETAILS
4. TERMINAL TO BE USED WITH (0.64)/.025 SQUARE PINS
5. TERMINAL TO BE USED WITH 24-30 AWG STRANDED WIRE WITH (1.52)/.060 MAX. DIA. INSULATION
6. TERMINALS SUPPLIED IN REEL FORM

**PLATING:**

.000015 MINIMUM GOLD PLATE IN SELECT AREA WITH .000075 MINIMUM TIN PLATE IN SELECT AREA OVER NICKEL PLATE OVERALL

\*THE PRIMARY SHIPPING CARTON WILL BE LABELED "COMPLIANT TO RoHS DIRECTIVE 2002/95/EC AND ELV ANNEX II OF DIRECTIVE 2000/53/EC". CARTONS WITHOUT THIS LABEL MAY CONTAIN PRODUCT WITH LEAD.



F  
E  
D  
C  
B  
A

F  
E  
D  
C  
B  
A

				CI		REVISED ECR #U80270 MCGRATH 97/07/31		DIMENSIONS SHOWN (METRIC) INCH		▽ = 0 ▼ = 0		REVISE ONLY ON CAD SYSTEM																	
				C		REVISE PER ECR# U82219 11-07-88 MJM/MGB		UNLESS OTHERWISE SPECIFIED TOLERANCES: ANGULAR ± 1/2°		TITLE TERMINAL-BOX/CRIMP HIGH FORCE CONTACT																			
		D		B		REVISE PER ECR #U80064 3/25/88 MJM		<table border="1"> <thead> <tr> <th></th> <th>INCH</th> <th>METRIC</th> </tr> </thead> <tbody> <tr> <td>3 PLACE</td> <td>± .010</td> <td>---</td> </tr> <tr> <td>2 PLACE</td> <td>± .014</td> <td>± 0.25</td> </tr> <tr> <td>1 PLACE</td> <td>---</td> <td>± 0.35</td> </tr> </tbody> </table>			INCH	METRIC	3 PLACE	± .010	---	2 PLACE	± .014	± 0.25	1 PLACE	---	± 0.35	MOLEX MOLEX INCORPORATED LISLE,ILL. 60532 U.S.A.				SHEET NO. 1		DATE 03/25/88	
	INCH	METRIC																											
3 PLACE	± .010	---																											
2 PLACE	± .014	± 0.25																											
1 PLACE	---	± 0.35																											
		LTR.		LTR.		REVISIONS		DRAFT WHERE APPLICABLE MUST REMAIN WITHIN DIMENSIONS		PART NO. 016-02-0119																			
								DRWG. BY MJM		CHK'D. BY MJM		DRWG. NO. SD-71851-0006																	
								APP'D. BY WAZ		SCALE 10:1		FILE NAME S71851X23																	
												THIS DRAWING CONTAINS INFORMATION THAT IS PROPRIETARY TO MOLEX INC. AND SHOULD NOT BE USED WITHOUT WRITTEN PERMISSION.																	
												DIV. DA																	
												SIZE B																	