



产品编号 : [16021113](#)

Product Description : SL Crimp Terminal, Series 71851, Female, with 0.76µm Selective Gold (Au) Plated Contact, 24-30 AWG, Reel

系列号 : 71851

状态 : Active

Product Category : Crimp Terminals

工程编号 : 71851-0008

Packaging Alternative : 0016021117 (Bag)



文件和资源

图纸

[图纸 016021113_sd.pdf](#)

规格

[产品规格 PS-70400-001.pdf](#)

[产品规格 PS-71851-001.pdf](#)

产物环境合规

合规

GADSL/IMDS	Not Relevant
China RoHS	
EU ELV	Not Relevant
Low-Halogen Status	Low-Halogen per IEC 61249-2-21
REACH SVHC	Not Contained per D(2023)3788-DC (14 Jun 2023)
EU RoHS	Compliant per EU 2015/863

多部分产品合规性声明

- Eu RoHS
- REACH SVHC
- Low-Halogen

多部分行业合规性文件

- IPC 1752A Class C

- IPC 1752A Class D
- Molex Product Compliance Declaration
- IEC-62474
- chemSHERPA (xml)

欧盟 RoHS 合格证书

产品详情

常规

状态	活动
类别	Crimp Terminals
系列	71851
说明	SL Crimp Terminal, Series 71851, Female, with 0.76µm Selective Gold (Au) Plated Contact, 24-30 AWG, Reel
应用	Signal, Wire-to-Board, Wire-to-Wire
产品系列	SL Modular Connectors
产品名称	SL
UPC	800753749146

物理

性别	女
材料 - 金属	Phosphor Bronze
材料 - 接合部位电镀	金牌
材料 - 终端电镀	Tin
净重	0.060/g
包装形式	Reel
最薄镀层 - 接合部位	0.762µm
最薄镀层 - 端接	1.905µm
终端界面类型	Crimp or Compression
导线绝缘直径	1.52mm max.
线径规格 (AWG)	24, 26, 28, 30
线缆尺寸mm ²	不适用

进程

无铅	不适用
----	-----

施工工具

全局

描述	产品编号
Insertion Tool for 70021, 70028, 70110, 71851 Terminals / Extraction Tool for 91821 Terminals	<u>0011020022</u>
Extraction Tool for SL Terminals, 22-36 AWG	<u>0011030036</u>
Hand Crimp Tool for SL Crimp Terminals, 24-30 AWG	<u>2002187000</u>
FineAdjust Applicator for SL Female Crimp Terminal, Insulation OD 0.63-1.00mm, 24-30 AWG Wire	<u>0639001500</u>
FineAdjust Applicator for SL Female Crimp Terminal, Insulation OD 1.01-1.52mm, 24-30 AWG Wire	<u>0639003100</u>
T2 Terminator Tooling Die	<u>0639103100</u>

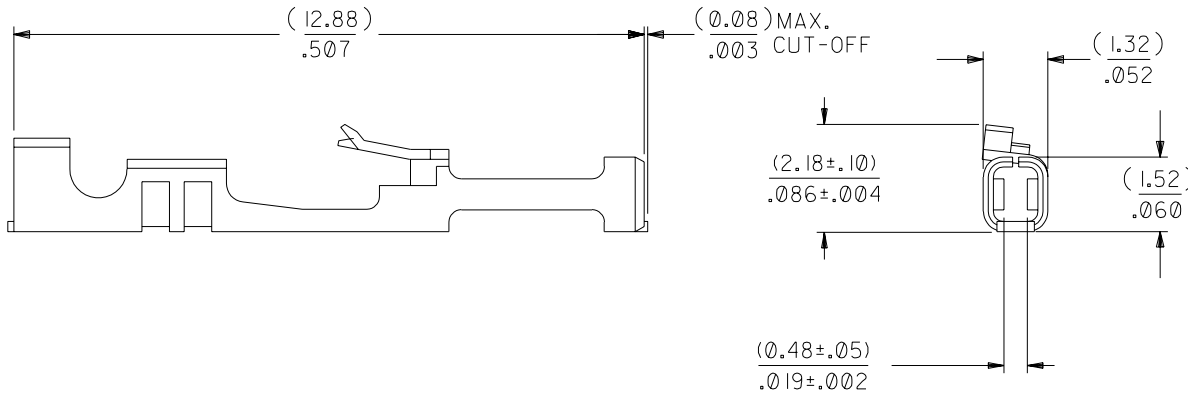
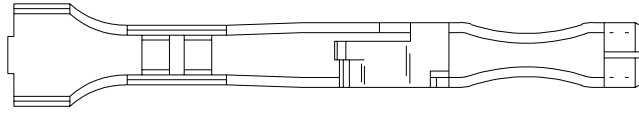
NOTES:

1. TERMINAL TO BE USED IN HOUSINGS 70066-**** AND 70450-****
2. REFER TO PRODUCT SPECIFICATION PS-71851
3. REFER TO MOLEX OPERATIONS AND SERVICE MANUAL FOR CRIMP DETAILS
4. TERMINAL TO BE USED WITH (0.64)/.025 SQUARE PINS
5. TERMINAL TO BE USED WITH 24-30 AWG STRANDED WIRE WITH (1.52)/.060 MAX. DIA. INSULATION
6. TERMINALS SUPPLIED IN REEL FORM

PLATING:

.000030 MINIMUM GOLD PLATE IN SELECT AREA WITH .000075 MINIMUM TIN PLATE IN SELECT AREA OVER NICKEL PLATE OVERALL

*THE PRIMARY SHIPPING CARTON WILL BE LABELED "COMPLIANT TO RoHS DIRECTIVE 2002/95/EC AND ELV ANNEX II OF DIRECTIVE 2000/53/EC". CARTONS WITHOUT THIS LABEL MAY CONTAIN PRODUCT WITH LEAD.



F
E
D
C
B
A

		CI	REVISED ECR #U80270 MCGRATH 97/07/31
		C	REVISE PER ECR# U82219 11-07-88 MJM/MGB
D	LEAD FREE UCP2004-1769 RWHITE 04/03/24	B	REVISE PER ECR #U80064 3/25/88 MJM
LTR.	REVISIONS	LTR.	REVISIONS

DIMENSIONS SHOWN (METRIC) INCH	
UNLESS OTHERWISE SPECIFIED TOLERANCES: ANGULAR ± 1/2°	
3 PLACE	± .010 ---
2 PLACE	± .014 ± 0.25
1 PLACE	--- ± 0.35
DRAFT WHERE APPLICABLE MUST REMAIN WITHIN DIMENSIONS	
DRWG. BY: MJM	CHK'D. BY: MJM
APP'D. BY: WAZ	SCALE: 10:1

▽ = 0	▼ = 0	REVISE ONLY ON CAD SYSTEM	
TITLE TERMINAL-BOX/CRIMP HIGH FORCE CONTACT			
MOLEX INCORPORATED LISLE, ILL. 60532 U.S.A.		SHEET NO. 1	DATE 03/25/88
PART NO. 016-02-1113		DRWG. NO. SD-71851-0008	
FILE NAME S71851X25	THIS DRAWING CONTAINS INFORMATION THAT IS PROPRIETARY TO MOLEX INC. AND SHOULD NOT BE USED WITHOUT WRITTEN PERMISSION.		DIV. DA SIZE B