



产品编号 : 1718130002

系列号 : 171813

Product Category : PCB Headers and Receptacles

Product Description : 3.96mm Pitch, KK 396 RPC Vertical Header with Friction Lock, Tin (Sn) Plating, Pin Length 17.02mm, Bag, 2 Circuits, without Pegs

状态 : Active

---

## 文件和资源

### 图纸

[图纸 1718130002\\_sd.pdf](#)

[包装设计图 PK-41791-001-001.pdf](#)

### 3D 模型和设计文件

[3D模型 1718130002\\_stp.zip](#)

[符号足迹数据 SYM-171813-0002-001.zip](#)

### 规格

[产品规格 PS-171813-0001-001.pdf](#)


[产品规格 PS-171813-0002-001.pdf](#)

[测试摘要 TS-171813-0001-001.pdf](#)

---

## 产物环境合规

### 合规

GADSL/IMDS	Compliant with Exemption 44; 33
China RoHS	
EU ELV	Not Relevant
Low-Halogen Status	Low-Halogen per IEC 61249-2-21
REACH SVHC	Not Contained per D(2023)8585-DC (23 Jan 2024)
EU RoHS	Compliant per EU 2015/863

### 多部分产品合规性声明

- Eu RoHS
- REACH SVHC
- Low-Halogen
- IPC 1752A Class C

- IPC 1752A Class D
- Molex Product Compliance Declaration
- IEC-62474
- chemSHERPA (xml)

欧盟 RoHS 合格证书

## 产品详情

### 常规

状态	活动
类别	PCB Headers and Receptacles
系列	171813
说明	3.96mm Pitch, KK 396 RPC Vertical Header with Friction Lock, Tin (Sn) Plating, Pin Length 17.02mm, Bag, 2 Circuits, without Pegs
应用	Board-to-Board, Power, Signal, Wire-to-Board
个评论	See Product Specification for maximum current rating by material, AWG, and orientation; See Product Specification for operating temperature range by material.
元件类型	PCB Header
产品系列	KK Interconnect Systems
产品名称	KK 396
UPC	887191374697

### 机构

CSA	LR19980
UL	E29179

### 电气

每触点最大电流	5.0A, 7.0A
电压 - 最大	250V

### 物理

断开	否
回路数 (已载入)	2

电路数 (最多)	2
颜色-树脂	黑色
耐用性(插拔次数) - 最多次数	25
先接后断	否
阻燃性	94V-2
符合灼热丝规范	否
可配插产品指南	否
插接极性	无
锁定插接部位	是
材料 - 金属	Brass
材料 - 接合部位电镀	Matte Tin
材料 - 终端电镀	Matte Tin
材料 - 树脂	High Temperature Thermoplastic
净重	0.580/g
行数	1
方向	垂直
包装形式	Bag
PCB 定位器	否
PCB 保持力	无
推荐的 PCB 厚度	1.60mm
间距 - 插配接口	3.96mm
最薄镀层 - 接合部位	1.524 $\mu$ m
最薄镀层 - 端接	1.524 $\mu$ m
有极性的插配件	是
有护墙的	Partial
可堆叠的	否
运行温度范围	-40° to +105° C, -40° to +80° C
终端界面类型	Through Hole

## 进程

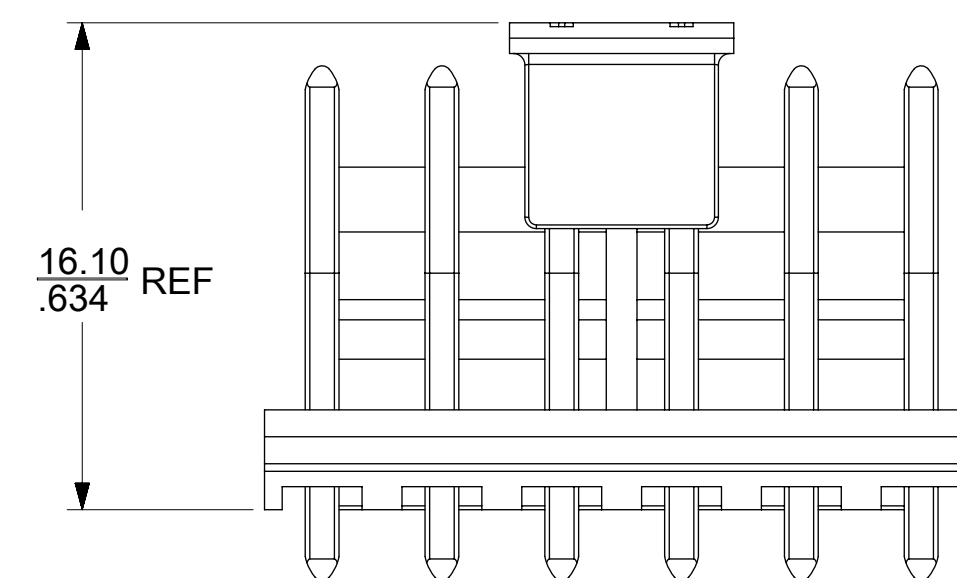
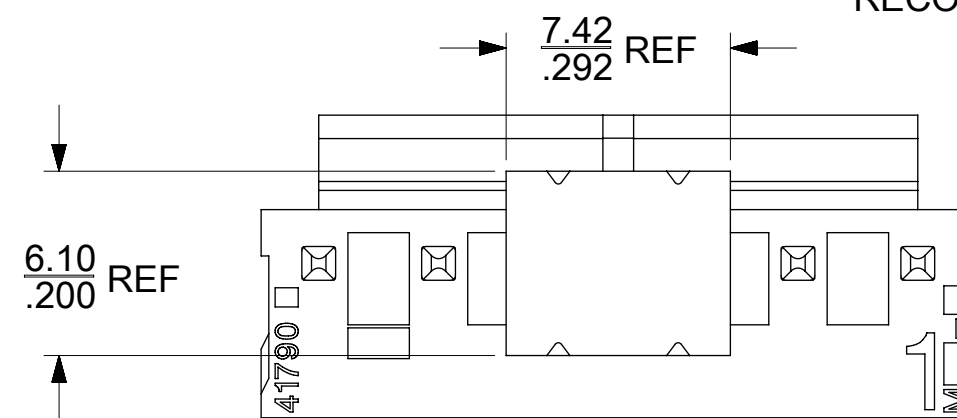
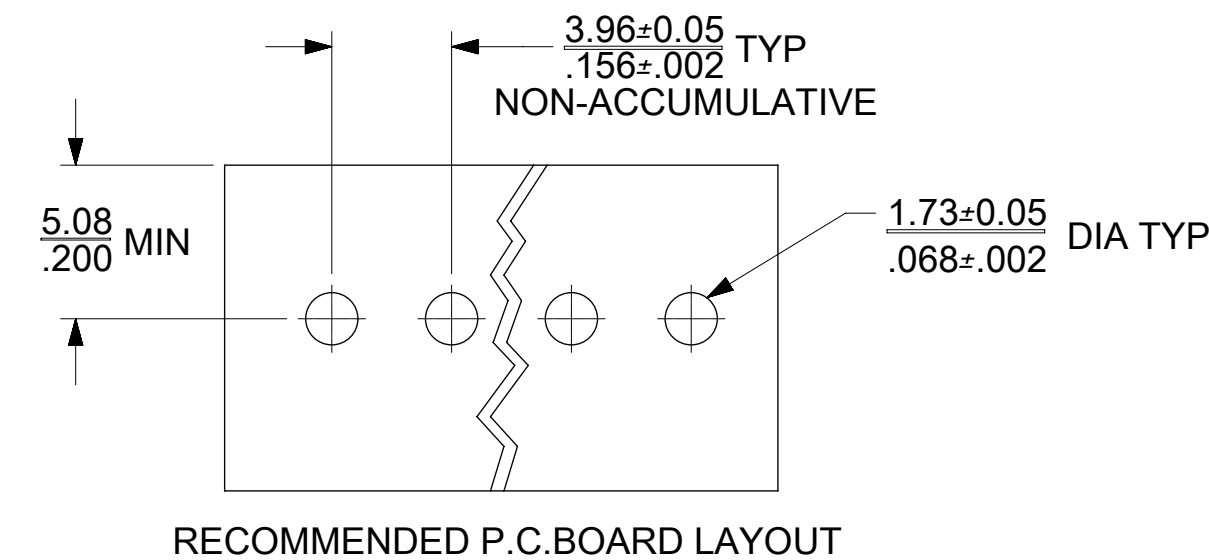
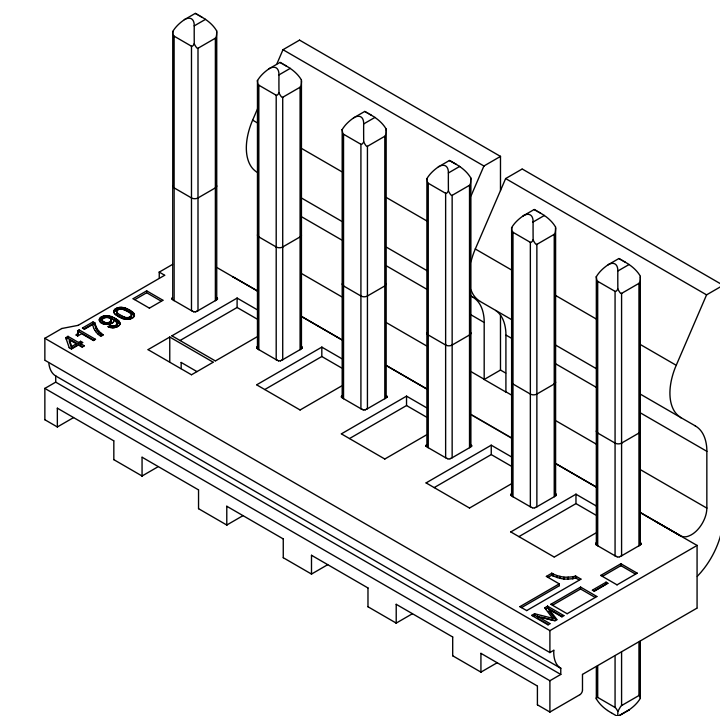
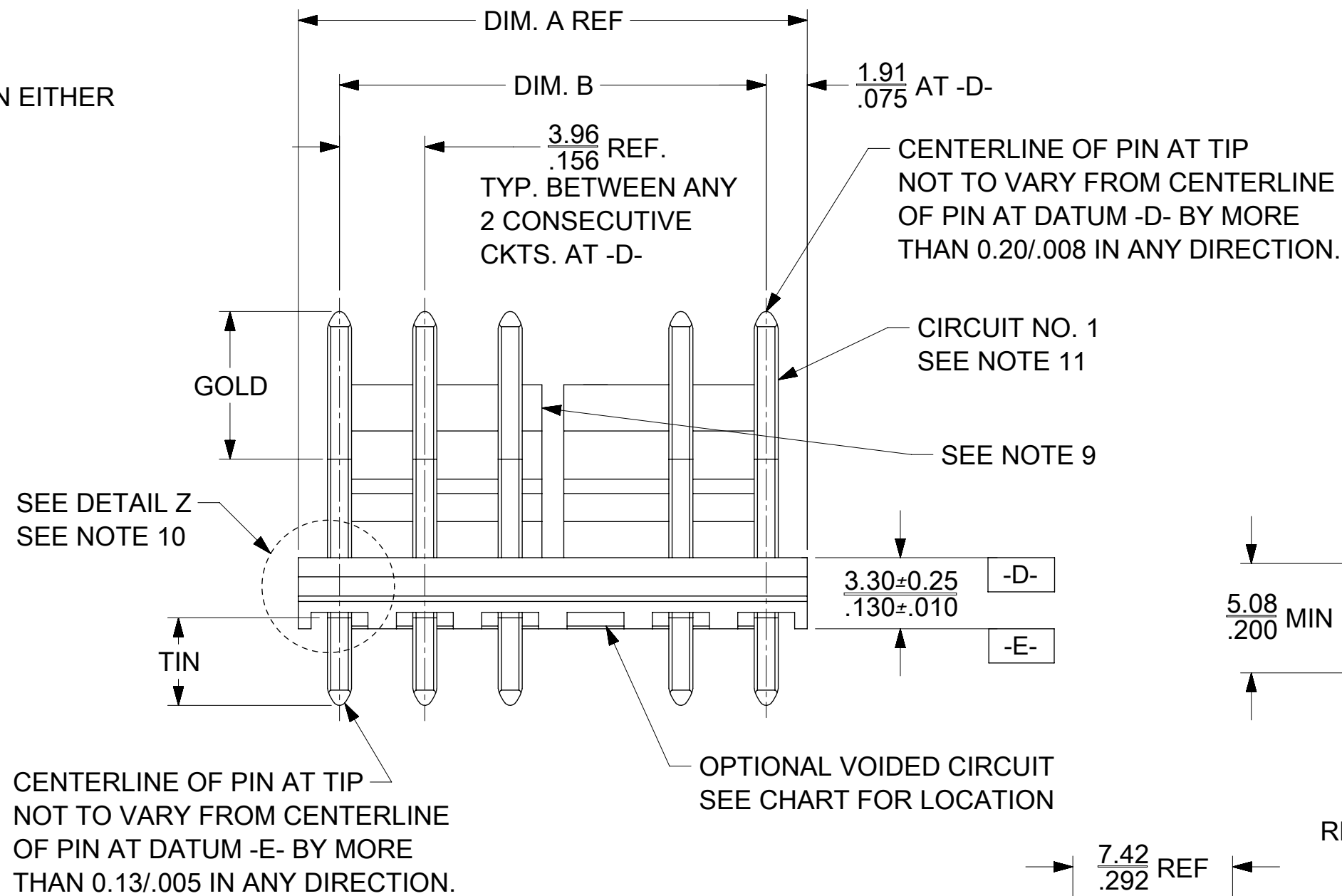
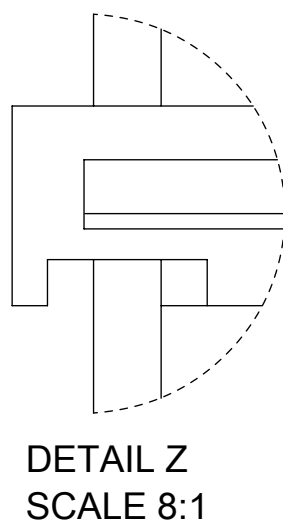
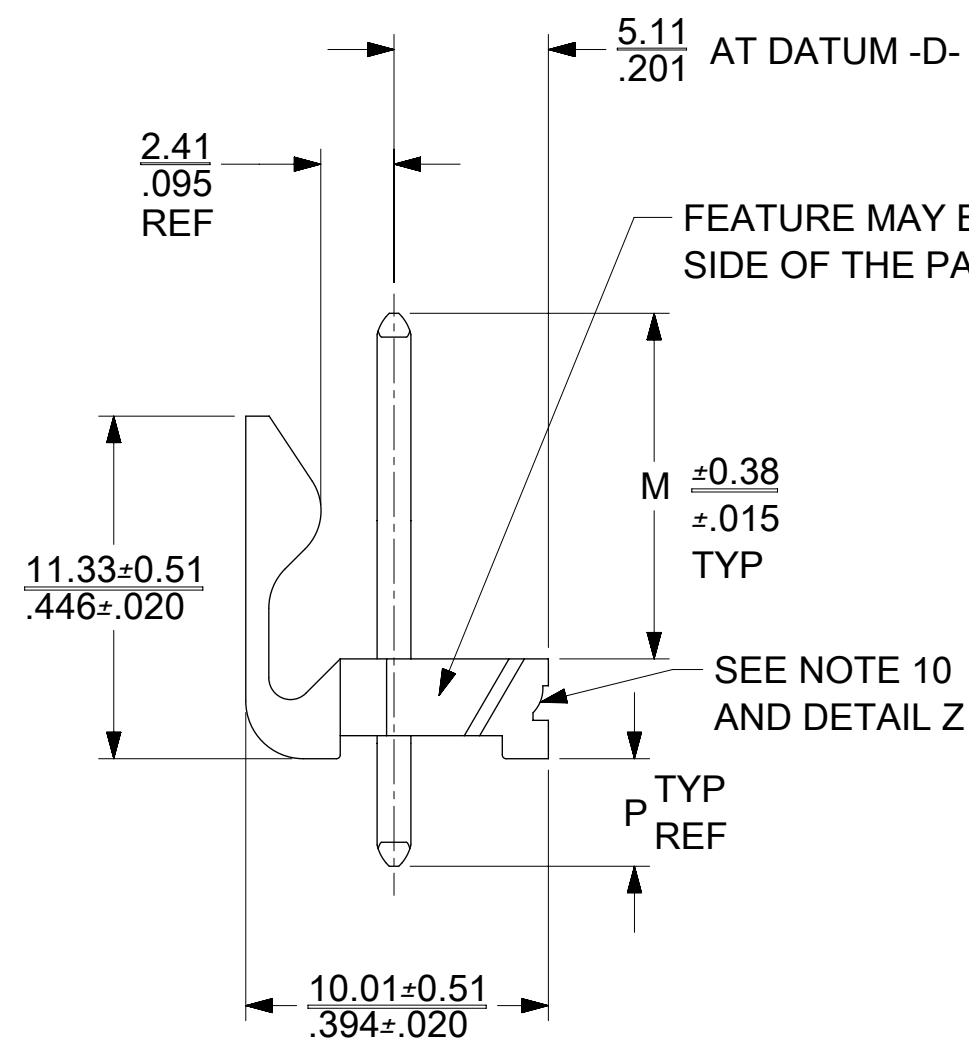
最长持续时间	30
无铅	SMC&WAVE
最大周期	3
最高温度	260

---

## 可配插/可连接使用的产品

### 可配插部件

描述	产品编号
KK 3.96mm Single Row Crimp Housings	<u>2139</u>
KK 3.96mm Single Row Crimp Housings	<u>3069</u>
KK 3.96mm Crimp Housings	<u>41695</u>
KK 396 PC Board Connector	<u>41815</u>
KK 3.96mm Pitch Single Row Crimp Housings	<u>6442</u>



OPTIONAL PICK AND PLACE CAP FOR TAPE AND REEL PACKAGING

CIRCUIT SIZE	DIM. A	DIM. B	SLOT LOCATION BETWEEN CIRCUITS
2	7.77 .306	3.96±0.05 .156±.002	NONE
3	11.73 .462	7.92±0.10 .312±.004	NONE
4	15.70 .618	11.89±0.15 .468±.006	NONE
5	19.66 .774	15.85±0.15 .624±.006	NONE
6	23.62 .930	19.81±0.18 .780±.007	3 & 4
7	27.58 1.086	23.77±0.18 .936±.007	4 & 5
8	31.55 1.242	27.74±0.20 1.092±.008	4 & 5
9	35.51 1.398	31.70±0.20 1.248±.008	5 & 6
10	39.47 1.554	35.66±0.23 1.404±.009	5 & 6
11	43.43 1.710	39.62±0.23 1.560±.009	6 & 7
12	47.40 1.866	43.59±0.25 1.716±.010	4 & 5 8 & 9

NOTES:

- MATERIAL: HOUSING: NYLON, UL94V-1, COLOR: BLACK  
PINS: BRASS
- FINISH:  
(197-TIN) = OVERALL REFLOWED MATTE TIN: 0.00152/.000060 MIN.  
OVER 0.00127/.000050 MIN. NICKEL OVERALL.  
(208) = SELECT GOLD: 0.00038/.000015 MIN,  
SELECT MATTE TIN: 0.00254/.000100 MIN,  
BOTH OVER 0.00127/.000050 MIN NICKEL.  
(228) = SELECT GOLD: 0.00076/.000030 MIN,  
SELECT MATTE TIN: 0.00254/.000100 MIN,  
BOTH OVER 0.00127/.000050 MIN NICKEL.
- PRODUCT SPECIFICATION: PS-171813-0001, PS-171813-0002
- PACKAGING INFORMATION: SEE CHARTS.
- SOLDERABILITY: PER SMES-152.
- PIN PUSH-OUT FORCE: PRIOR TO SOLDERING, A 3 LB. MINIMUM FORCE IN EITHER DIRECTION
- PARTS ARE STACKABLE END TO END ON 3.96/.156 CENTERS.
- THIS PART CONFORMS TO CLASS B REQUIREMENTS OF COSMETIC SPECIFICATION PS-45499-002.
- SLOTS ON BACKWALL ARE BETWEEN CIRCUITS. SEE CHART FOR LOCATION.
- FEATURE MAY OR MAY NOT EXTEND ACROSS THE ENTIRE FACE OF THE PART. SEE DETAIL Z.
- CIRCUIT 1 DESIGNATION IS USED TO DEFINE VOID LOCATION. CIRCUIT 1 MAY OR MAY NOT LINE UP WITH CIRCUIT 1 ON THE MATING HOUSING.
- THE PARTS LISTED ON THIS DRAWING ARE CONSTRUCTED TO MEET THE REQUIREMENT FOR DIRECT SUPPORT OF UNINSULATED LIVE PARTS AS DESCRIBED IN UL508C.

THIS DRAWING CONTAINS INFORMATION THAT IS PROPRIETARY TO MOLEX ELECTRONIC TECHNOLOGIES, LLC AND SHOULD NOT BE USED WITHOUT WRITTEN PERMISSION

ADD NOTE 12	2017/02/03	GENERAL TOLERANCES (UNLESS SPECIFIED)	DIMENSION UNITS		SCALE						
	2017/02/06		MM	INCH	4:1						
	2017/02/09		4 PLACES ±	±	DRWN BY		DATE				
	3 PLACES ±		± 0.01	MKIPPER	2012/09/13						
EC NO: 113073 DRWN: BAPPELDORN CHKD: JBELL REV   APPR: FSMITH	ADD NOTE 12	GENERAL TOLERANCES (UNLESS SPECIFIED)	DIMENSION UNITS		SCALE						
			MM	INCH	4:1						
			2 PLACES ±	± 0.25 ± 0.015	CHK'D BY		DATE				
			1 PLACES ±	± 0.38 ±	SSOUSEK		2012/09/13				
B1	REV   APPR: FSMITH	GENERAL TOLERANCES (UNLESS SPECIFIED)	DIMENSION UNITS		SCALE						
			MM	INCH	4:1						
			0 PLACES ±	±	APPR BY		DATE				
			ANGULAR TOL = 0.5	±	FSMITH		2013/06/11				
DRAFT WHERE APPLICABLE MUST REMAIN WITHIN DIMENSIONS		DRAWING SIZE		THIRD ANGLE PROJECTION							
RELEASE STATUS		RELEASE DATE		DOCUMENT NUMBER		DOC TYPE		DOC PART		SHEET NUMBER	
B1				171813		PSD		000		1 OF *	

PRODUCT CUSTOMER DRAWING  
KK RPC 156 FRICTION LOCK  
VERTICAL HEADER ASSEMBLY SOLID BODY W/O PEGS

171813 SEE CHART GENERAL MARKET

SD-171813-0001 PSD 000 1 OF \*

OPTIONS	Group	171813-0002/0012	Group	171813-1002/1012	Group	171813-2002/2012
	Plating:	197 – TIN	Plating:	208 – 15 GOLD	Plating:	228 – 30 GOLD
	Pin Length L	17.02 / .670	Pin Length L	17.02 / .670	Pin Length L	17.02 / .670
	Mating M	11.38 / .448	Mating M	11.38 / .448	Mating M	11.38 / .448
	Gold Loc G	N/A	Gold Loc G	6.10 / .240	Gold Loc G	6.10 / .240
	PC Tail P	2.37 / .092	PC Tail P	2.37 / .092	PC Tail P	2.37 / .092
	Tin Loc T	OVERALL	Tin Loc T	5.08 / .200	Tin Loc T	5.08 / .200
	Voided Ckts	NONE	Voided Ckts	NONE	Voided Ckts	NONE
	Pack Per	PK-41791-001 BULK	Pack Per	PK-41791-001 BULK	Pack Per	PK-41791-001 BULK
Ckts	Material No		Material No		Material No	
2	171813-0002		171813-1002		171813-2002	
3	171813-0003		171813-1003		171813-2003	
4	171813-0004		171813-1004		171813-2004	
5	171813-0005		171813-1005		171813-2005	
6	171813-0006		171813-1006		171813-2006	
7	171813-0007		171813-1007		171813-2007	
8	171813-0008		171813-1008		171813-2008	
9	171813-0009		171813-1009		171813-2009	
10	171813-0010		171813-1010		171813-2010	
11	171813-0011		171813-1011		171813-2011	
12	171813-0012		171813-1012		171813-2012	

<b>A5</b>	REV: <u>ECR/ECN INFORMATION</u>	<b>TITLE:</b>  <b>KK RPC 156 HEADER ASSEMBLY FRICTION LOCK VERTICAL SOLID BODY W/O PEGS</b>	<u>SHEET No.</u>  <b>- 2 -</b>
	<u>EC NO.:</u> <b>UCP2016-1946</b>		
	<u>DATE:</u> <b>10/23/2017</b>		
<u>DOCUMENT NUMBER:</u> <b>SD-171813-0001</b>	<u>CREATED / REVISED BY:</u> <b>MKIPPER</b>	<u>CHECKED BY:</u> <b>JBELL</b>	<u>APPROVED BY:</u> <b>FSMITH-ROEMER</b>

OPTIONS	Group	171813-0102/0112	Group	171813-1102/1112	Group	
	Plating:	197 – TIN	Plating:	208 – 15 GOLD	Plating:	
	Pin Length L	18.29 / .720	Pin Length L	18.29 / .720	Pin Length L	
	Mating M	11.43 / .450	Mating M	11.43 / .450	Mating M	
	Gold Loc G	N/A	Gold Loc G	6.86 / .270	Gold Loc G	
	PC Tail P	3.56 / .140	PC Tail P	3.56 / .140	PC Tail P	
	Tin Loc T	OVERALL	Tin Loc T	4.06 / .160	Tin Loc T	
	Voided Ckts	NONE	Voided Ckts	NONE	Voided Ckts	
	Pack Per	PK-41791-001 BULK	Pack Per	PK-41791-001 BULK	Pack Per	
Ckts	Material No		Material No		Material No	
2	171813-0102		171813-1102			
3	171813-0103		171813-1103			
4	171813-0104		171813-1104			
5	171813-0105		171813-1105			
6	171813-0106		171813-1106			
7	171813-0107		171813-1107			
8	171813-0108		171813-1108			
9	171813-0109		171813-1109			
10	171813-0110		171813-1110			
11	171813-0111		171813-1111			
12	171813-0112		171813-1112			

<b>A5</b>	REV: <u>ECR/ECN INFORMATION</u>	<b>KK RPC 156 HEADER ASSEMBLY FRICTION LOCK VERTICAL SOLID BODY W/O PEGS</b>	SHEET No.
	EC NO.: <b>UCP2016-1946</b>		<b>- 3 -</b>
	DATE: <b>10/23/2017</b>		
<u>DOCUMENT NUMBER:</u> <b>SD-171813-0001</b>	<u>CREATED / REVISED BY:</u> <b>MKIPPER</b>	<u>CHECKED BY:</u> <b>JBELL</b>	<u>APPROVED BY:</u> <b>FSMITH-ROEMER</b>

OPTIONS	Group	171813-3002/3012	Group	171813-4002/4012	Group	
	Plating:	197 – TIN	Plating:	208 – 15 GOLD	Plating:	
	Pin Length L	17.02 / .670	Pin Length L	17.02 / .670	Pin Length L	
	Mating M	11.38 / .448	Mating M	11.38 / .448	Mating M	
	Gold Loc G	N/A	Gold Loc G	6.10 / .240	Gold Loc G	
	PC Tail P	2.37 / .092	PC Tail P	2.37 / .092	PC Tail P	
	Tin Loc T	OVERALL	Tin Loc T	5.08 / .200	Tin Loc T	
	Voided Ckts	NONE	Voided Ckts	NONE	Voided Ckts	
	Pack Per	PK-171813-0001 TAPE AND REEL W/CAP	Pack Per	PK-171813-0001 TAPE AND REEL W/CAP	Pack Per	
Ckts	Material No		Material No		Material No	
2	171813-3002		171813-4002			
3	171813-3003		171813-4003			
4	171813-3004		171813-4004			
5	171813-3005		171813-4005			
6	171813-3006		171813-4006			
7	171813-3007		171813-4007			
8	171813-3008		171813-4008			
9	171813-3009		171813-4009			
10	171813-3010		171813-4010			
11	171813-3011		171813-4011			
12	171813-3012		171813-4012			

<b>A5</b>	REV:	<u>ECR/ECN INFORMATION</u>	<b>KK RPC 156 HEADER ASSEMBLY FRICTION LOCK VERTICAL SOLID BODY W/O PEGS</b>	<u>SHEET No.</u>  <b>- 4 -</b>
		EC NO.: <b>UCP2016-1946</b>		
		DATE: <b>10/23/2017</b>		
<u>DOCUMENT NUMBER:</u> <b>SD-171813-0001</b>		<u>CREATED / REVISED BY:</u> <b>MKIPPER</b>	<u>CHECKED BY:</u> <b>JBELL</b>	<u>APPROVED BY:</u> <b>FSMITH-ROEMER</b>



OPTIONS	Group		Group		Group		Group	171813-9994
	Plating:		Plating:		Plating:		Plating:	197 – TIN
	Pin Length L		Pin Length L		Pin Length L		Pin Length L	18.29 / .720
	Mating M		Mating M		Mating M		Mating M	11.43 / .450
	Gold Loc G		Gold Loc G		Gold Loc G		Gold Loc G	N/A
	PC Tail P		PC Tail P		PC Tail P		PC Tail P	3.56 / .140
	Tin Loc T		Tin Loc T		Tin Loc T		Tin Loc T	OVERALL
	Voided Ckts		Voided Ckts		Voided Ckts		Voided Ckts	3
	Pack Per		Pack Per		Pack Per		Pack Per	PK-41791-001 BULK
Ckts	Material No	Material No	Material No	Material No	Material No	Material No	Material No	
2								
3								
4								
5								
6								
7								
8								
9								
10								
11								
12								

<b>A5</b>	REV:	ECR/ECN INFORMATION	TITLE:	<b>KK RPC 156 HEADER ASSEMBLY FRICTION LOCK VERTICAL SOLID BODY W/O PEGS</b>	SHEET No.
		EC NO.: <b>UCP2016-1946</b>			<b>- 5 -</b>
		DATE: <b>10/23/2017</b>			
DOCUMENT NUMBER:		CREATED / REVISED BY:		CHECKED BY:	
<b>SD-171813-0001</b>		<b>MKIPPER</b>		<b>JBELL</b>	
			APPROVED BY:		
			<b>FSMITH-ROEMER</b>		

OPTIONS	Group	171813-9995	Group	171813-9996	Group	171813-9997	Group	171813-9998
	Plating:	208 – 15 GOLD	Plating:	197 – TIN	Plating:	197 – TIN	Plating:	197 – TIN
	Pin Length L	17.02 / .670	Pin Length L	17.02 / .670	Pin Length L	17.02 / .670	Pin Length L	18.29 / .720
	Mating M	11.38 / .448	Mating M	11.38 / .448	Mating M	11.38 / .448	Mating M	11.43 / .450
	Gold Loc G	6.10 / .240	Gold Loc G	N/A	Gold Loc G	N/A	Gold Loc G	N/A
	PC Tail P	2.37 / .092	PC Tail P	2.37 / .092	PC Tail P	2.37 / .092	PC Tail P	3.56 / .140
	Tin Loc T	5.08 / .200	Tin Loc T	OVERALL	Tin Loc T	OVERALL	Tin Loc T	OVERALL
	Voided Ckts	3	Voided Ckts	2, 4	Voided Ckts	2, 4, 6	Voided Ckts	2
	Pack Per	PK-41791-001 BULK	Pack Per	PK-41791-001 BULK	Pack Per	PK-41791-001 BULK	Pack Per	PK-41791-001 BULK
Ckts	Material No		Material No		Material No		Material No	
2								
3							171813-9998	
4								
5	171813-9995		171813-9996					
6								
7					171813-9997			
8								
9								
10								
11								
12								

<b>A5</b>	REV:	ECR/ECN INFORMATION	TITLE:	<b>KK RPC 156 HEADER ASSEMBLY FRICTION LOCK VERTICAL SOLID BODY W/O PEGS</b>	SHEET No.		
		EC NO.: UCP2016-1946			<b>- 6 -</b>		
		DATE: 10/23/2017					
DOCUMENT NUMBER:		CREATED / REVISED BY:		CHECKED BY:		APPROVED BY:	
<b>SD-171813-0001</b>		<b>MKIPPER</b>		<b>JBELL</b>		<b>FSMITH-ROEMER</b>	