



产品编号 : 1720420302

Product Description : Super Sabre Vertical Header, 3 Circuit, Short Solder Tail with Board Lock, Complies with UL1977 Finger Proof Standards, Glow-Wire Capable

系列号 : 172042

状态 : Active

Product Category : PCB Headers and Receptacles

文件和资源

图纸

图纸 1720420302_sd.pdf

包装设计图 PK-43789-001-001.pdf

3D 模型和设计文件

3D模型 1720420302_stp.zip

符号足迹数据 SYM-172042-0302-001.zip


规格

产品规格 PS-171825-001-001.pdf

测试摘要 TS-171825-001-001.pdf

产物环境合规

合规

GADSL/IMDS	Compliant with Exemption 44; 33
China RoHS	
EU ELV	Not Relevant
Low-Halogen Status	Low-Halogen per IEC 61249-2-21
REACH SVHC	Not Contained per D(2023)8585-DC (23 Jan 2024)
EU RoHS	Compliant per EU 2015/863

多部分产品合规性声明

- Eu RoHS
- REACH SVHC
- Low-Halogen

- IPC 1752A Class C
- IPC 1752A Class D

- Molex Product Compliance Declaration

- IEC-62474

- chemSHERPA (xml)

欧盟 RoHS 合格证书

产品详情

常规

状态	活动
类别	PCB Headers and Receptacles
系列	172042
说明	Super Sabre Vertical Header, 3 Circuit, Short Solder Tail with Board Lock, Complies with UL1977 Finger Proof Standards, Glow-Wire Capable
应用	Power, Signal, Wire-to-Board
个评论	Operating Temperature Per USCAR-2; Class 3
元件类型	PCB Header
产品系列	Super Sabre Connector System
产品名称	Super Sabre
UPC	887191565095

机构

CSA	LR19980
UL	E29179

电气

每触点最大电流	30.0A per blade
电压 - 最大	600V AC (RMS)

物理

断开	否
回路数 (已载入)	3
电路数 (最多)	3
颜色-树脂	黑色
耐用性(插拔次数) - 最多次数	25

先接后断	否
阻燃性	94V-0
符合灼热丝规范	是
锁定插接部位	是
材料 - 金属	Copper
材料 - 接合部位电镀	银牌
材料 - 终端电镀	Matte Tin, Nickel
材料 - 树脂	High Temperature Thermoplastic
净重	4.223/g
行数	1
方向	垂直
包装形式	Tray
PC 焊脚长度	3.81mm
PCB 保持力	是
间距 - 插配接口	7.50mm
最薄镀层 - 接合部位	0.025µm
最薄镀层 - 端接	0.025µm
有极性的插配件	是
运行温度范围	-40° to +125° C
终端界面类型	Through Hole

进程

最长持续时间	30
无铅	SMC&WAVE
最大周期	3
最高温度	260

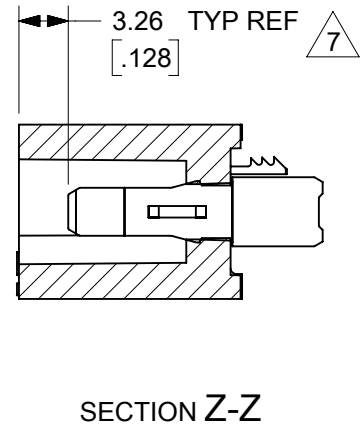
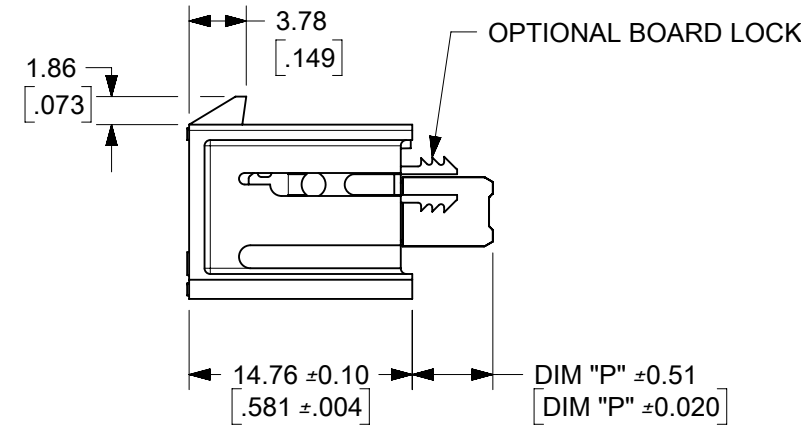
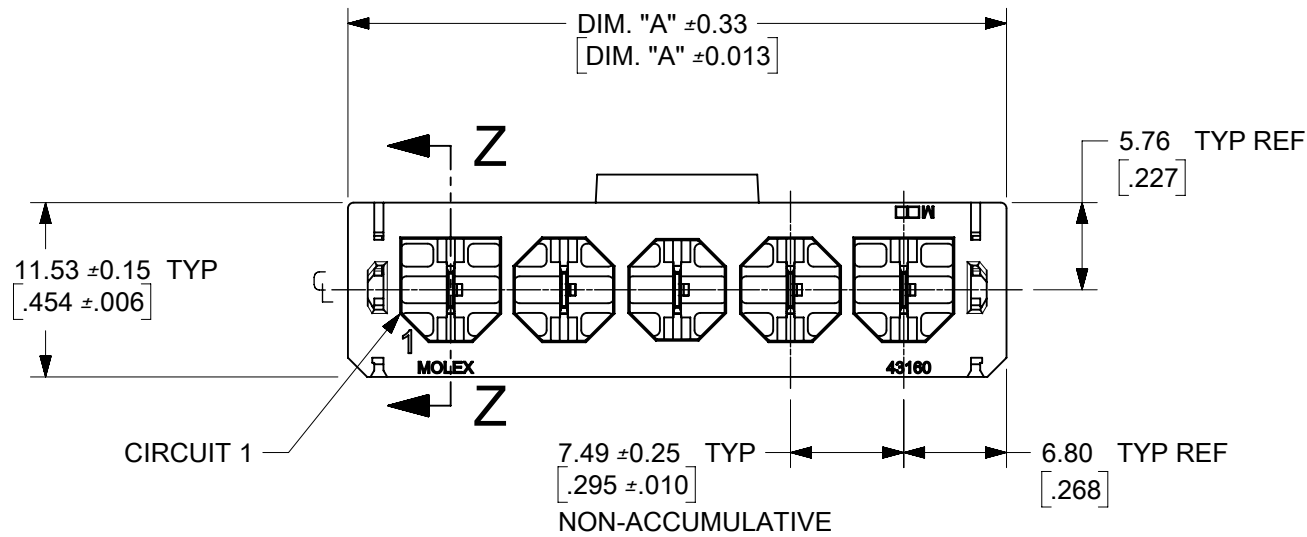
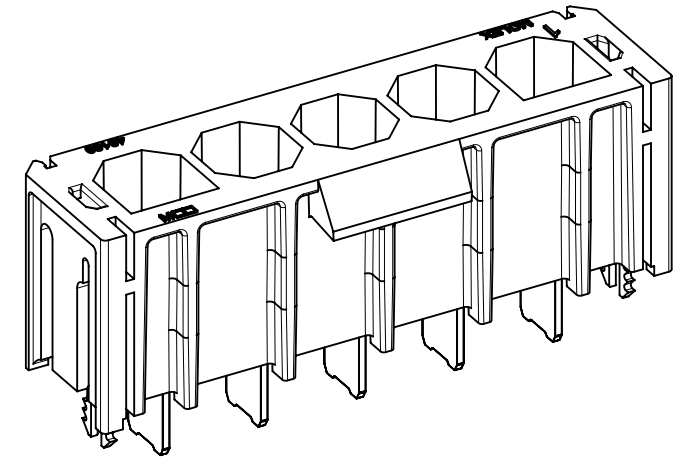
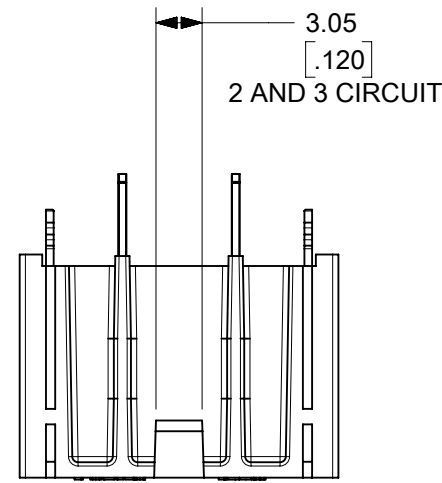
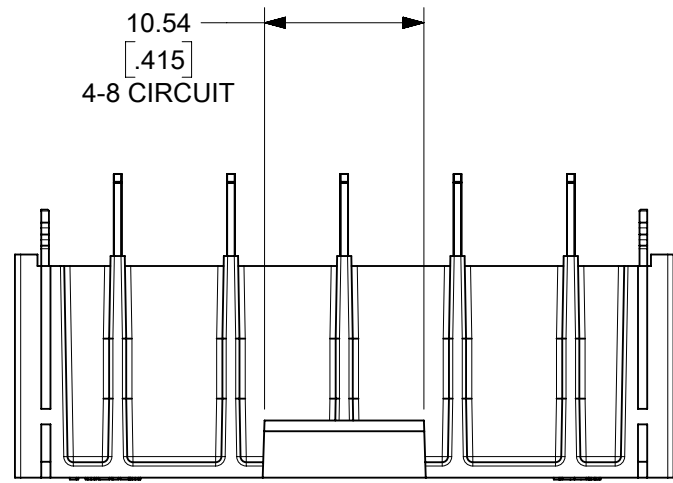
可配插/可连接使用的产品

可配插部件

描述	产品编号
Super Sabre Single Row Receptacle Housings	<u>172672</u>

This document was generated on Jun 03, 2024

CIRCUIT SIZE	DIM. "A"
2	$\frac{21.08}{.830}$
3	$\frac{28.58}{1.125}$
4	$\frac{36.07}{1.420}$
5	$\frac{43.56}{1.715}$
6	$\frac{51.05}{2.010}$
8	$\frac{66.04}{2.600}$

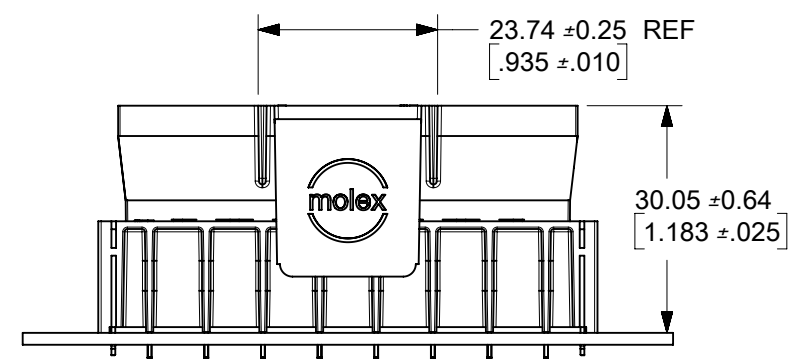
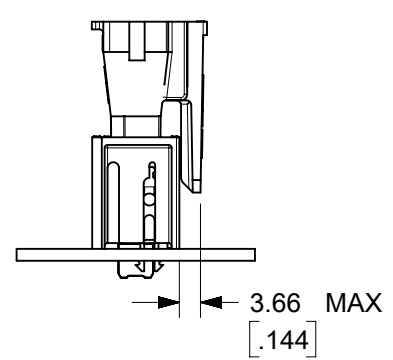
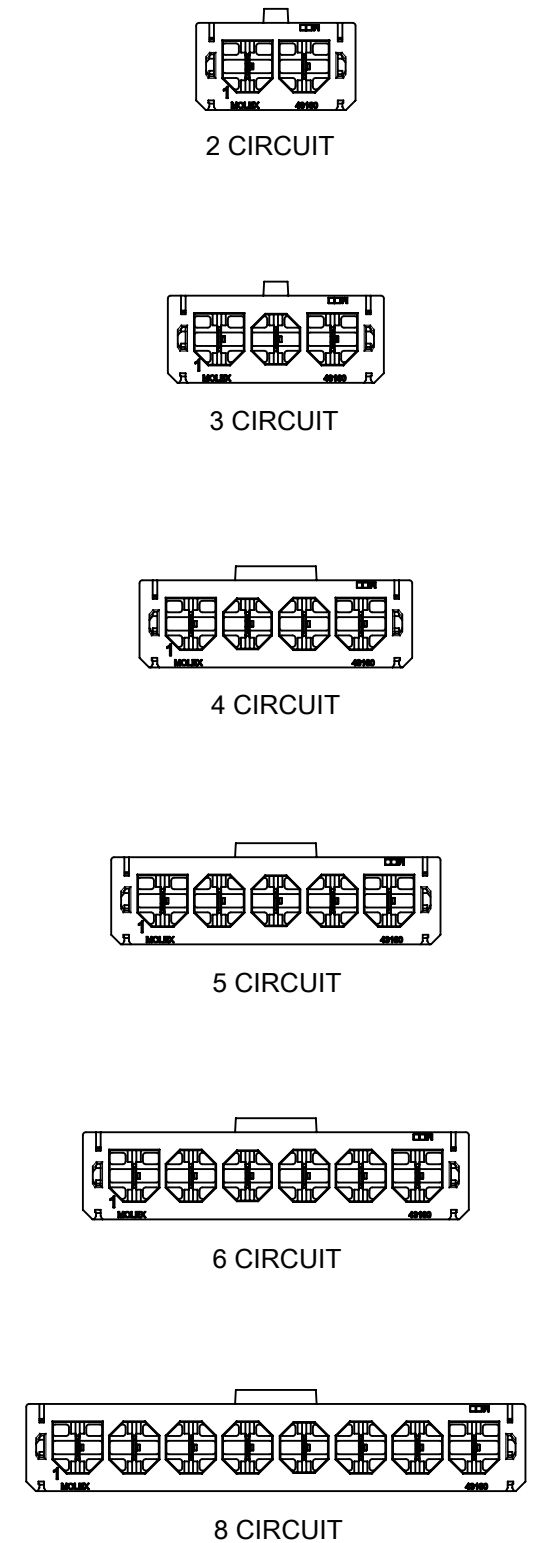
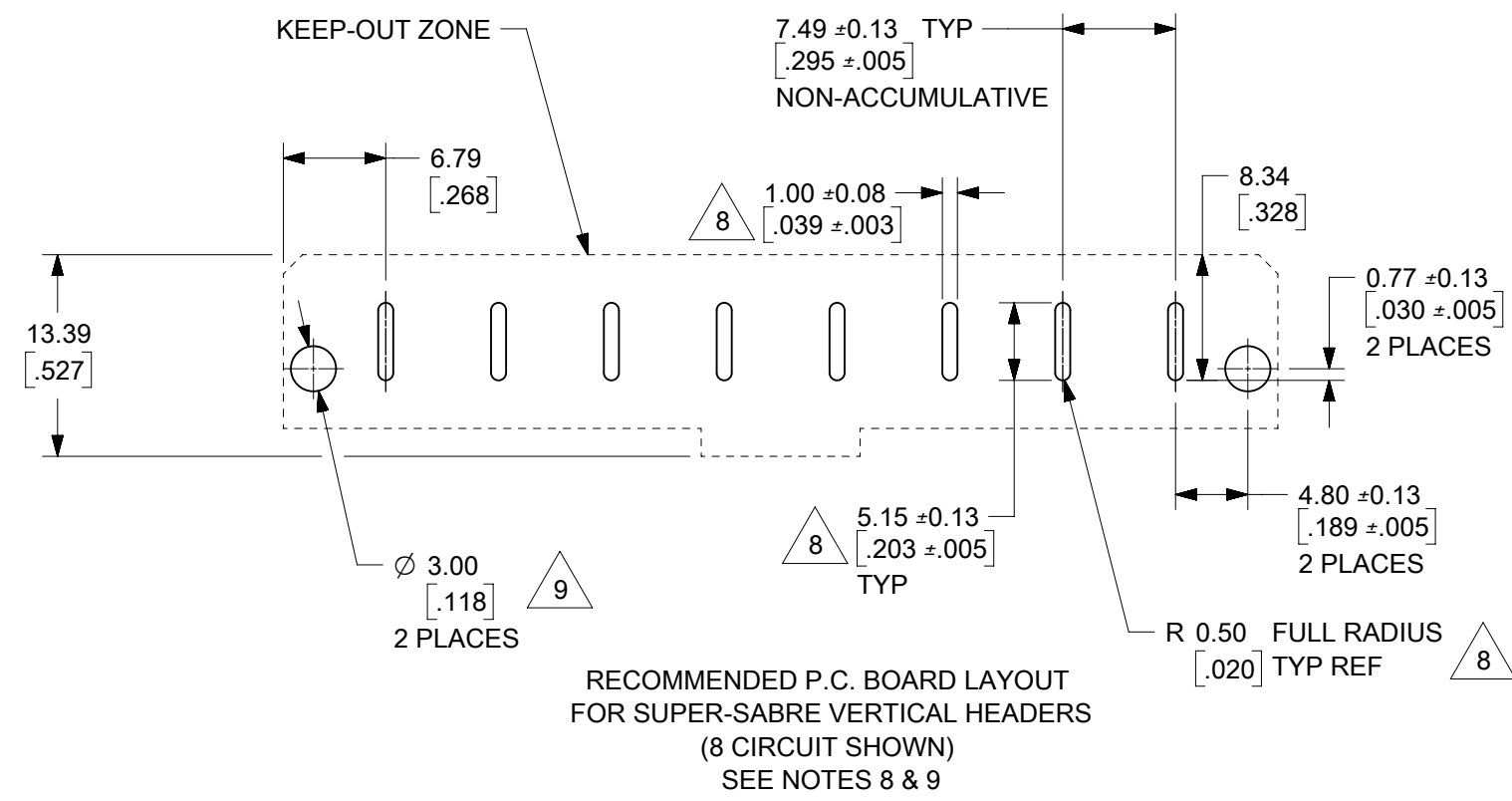


NOTES:

- MATERIALS
HOUSING: GLASS-FILLED, LIQUID CRYSTAL POLYMER (LCP), UL94V-0, LOW-HALOGEN, GLOW-WIRE CAPABLE, COLOR: BLACK
TERMINALS: ETP COPPER
- FINISHES:
.00254/.000100 MIN SELECT SILVER AND .00254/.000100 MIN SELECT MATTE TIN OVER NICKEL OVERALL
- PRODUCT SPECIFICATION: PS-171825-001
- PACKAGING INFORMATION: PK-43789-001 (TRAY PACK)
- MATES WITH:
171825 FEMALE CRIMP TERMINALS
172672 RECEPTACLE HOUSINGS
- THIS PART CONFORMS TO CLASS B REQUIREMENTS OF COSMETIC SPEC PS-45499-002.
- HEADERS ARE DESIGNED TO MINIMIZE ACCESSIBILITY TO LIVE PARTS, PER UL 1977 AND UL 60950 FINGER PROBE REQUIREMENTS.
- SLOTTED VIAS, PLATED-THRU. MOLEX RECOMMENDS ANNULAR RING DESIGN PARAMETERS AS SPECIFIED IN IPC-2221, GENERIC STANDARD ON PRINTED BOARD DESIGN.
- 3.00/.118 MOUNTING-HOLES (NON-PLATED) FOR OPTIONAL BOARD-LOCKS SHOWN.

THIS DRAWING CONTAINS INFORMATION THAT IS PROPRIETARY TO MOLEX ELECTRONIC TECHNOLOGIES, LLC AND SHOULD NOT BE USED WITHOUT WRITTEN PERMISSION										
SYMBOLS		DIMENSION UNITS		SCALE		CURRENT REV DESC: REVISE PCB SLOT DIMENSIONS				
▽ = 0	MM/INCH	2:1		EC NO: 628733 DRWN: MKIPPER 2019/11/07 CHK'D: DSTEIER 2019/12/09 APPR: FSMITH 2019/12/11 INITIAL REVISION: DRWN: BANDERSON 2013/06/21 APPR: BANDERSON 2013/06/25						
▽ = 0	GENERAL TOLERANCES (UNLESS SPECIFIED)									
▽ = 0		MM	INCH							
▽ = 0	4 PLACES ±									
▽ = 0	3 PLACES ±	± 0.005								
▽ = 0	2 PLACES ±	± 0.13	± 0.01							
▽ = 0	1 PLACE ±	± 0.25	±							
▽ = 0	0 PLACES ±									
▽ = 0	ANGULAR TOL ± 0.5°			PRODUCT CUSTOMER DRAWING DOCUMENT NUMBER: SD-172042-001 DOC TYPE: PSD DOC PART: 001 REVISION: C1						
▽ = 0	DRAFT WHERE APPLICABLE MUST REMAIN WITHIN DIMENSIONS		THIRD ANGLE PROJECTION		DRAWING		SERIES		MATERIAL NUMBER	
			B-SIZE		172042		SEE CHART		GENERAL MARKET	
									SHEET NUMBER	
									1 OF 2	

ASSEMBLY PART NO.	CIRCUITS	DIM. 'P' ± $\frac{0.51}{.020}$	BOARD LOCK
172042-0201	2	3.81/(.150) (SHORT TAIL)	NO
172042-0301	3		
172042-0401	4		
172042-0501	5		
172042-0601	6		
172042-0801	8		
172042-0202	2	3.81/(.150) (SHORT TAIL)	YES
172042-0302	3		
172042-0402	4		
172042-0502	5		
172042-0602	6		
172042-0802	8		
172042-0205	2	5.33/(.210) (LONG TAIL)	NO
172042-0305	3		
172042-0405	4		
172042-0505	5		
172042-0605	6		
172042-0805	8		
172042-0206	2	5.33/(.210) (LONG TAIL)	YES
172042-0306	3		
172042-0406	4		
172042-0506	5		
172042-0606	6		
172042-0806	8		



SYMBOLS		THIS DRAWING CONTAINS INFORMATION THAT IS PROPRIETARY TO MOLEX ELECTRONIC TECHNOLOGIES, LLC AND SHOULD NOT BE USED WITHOUT WRITTEN PERMISSION	
▽ = 0	DIMENSION UNITS	SCALE	CURRENT REV DESC: REVISE PCB SLOT DIMENSIONS
▽ = 0	MM/INCH	1:1	
▽ = 0	GENERAL TOLERANCES (UNLESS SPECIFIED)		
▽ = 0		MM	INCH
▽ = 0	4 PLACES ±		
▽ = 0	3 PLACES ±		
▽ = 0	2 PLACES ±	0.13	0.01
▽ = 0	1 PLACE ±	0.25	
▽ = 0	0 PLACES ±		
▽ = 0	ANGULAR TOL	± 0.5°	
▽ = 0	DRAFT WHERE APPLICABLE MUST REMAIN WITHIN DIMENSIONS		THIRD ANGLE PROJECTION
		DRAWING	SERIES
		B-SIZE	172042
		MATERIAL NUMBER	
		SEE CHART	CUSTOMER
		GENERAL MARKET	SHEET NUMBER
		2 OF 2	

molex

SUPER-SABRE VERTICAL
HEADER ASSY SINGLE-ROW FINGER PROOF

PRODUCT CUSTOMER DRAWING

DOCUMENT NUMBER: SD-172042-001
DOC TYPE: PSD
DOC PART: 001
REVISION: C1