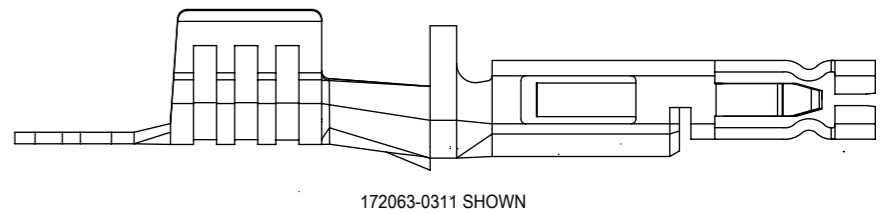
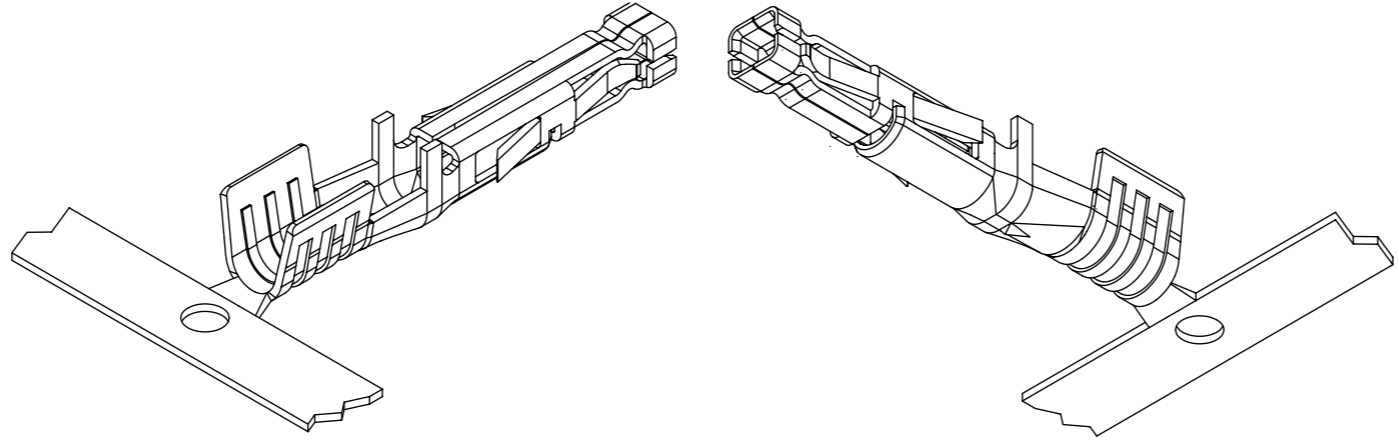
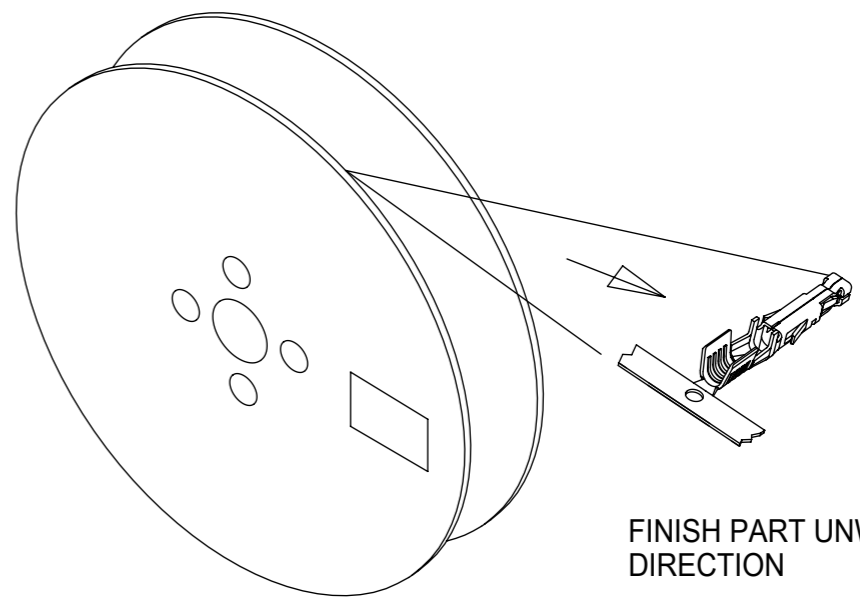
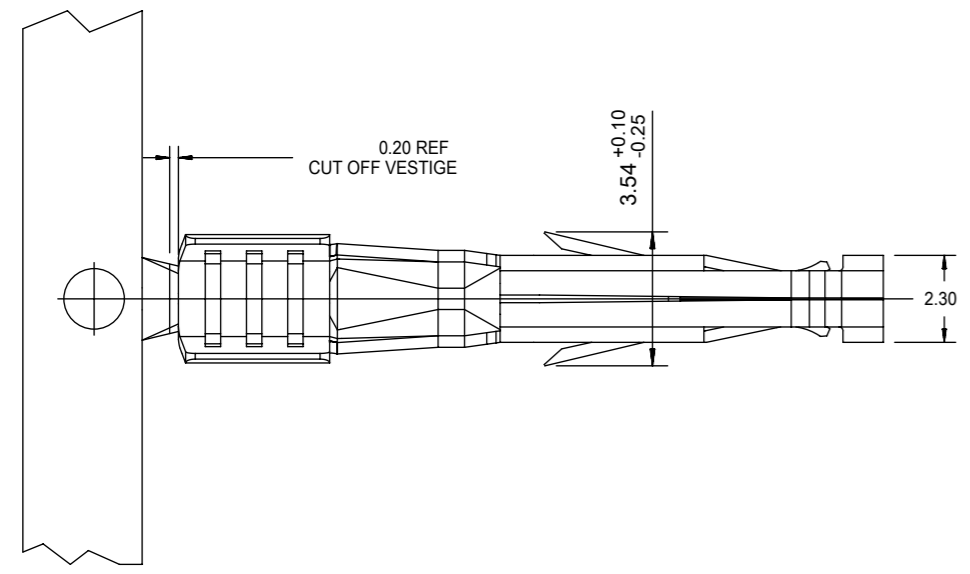


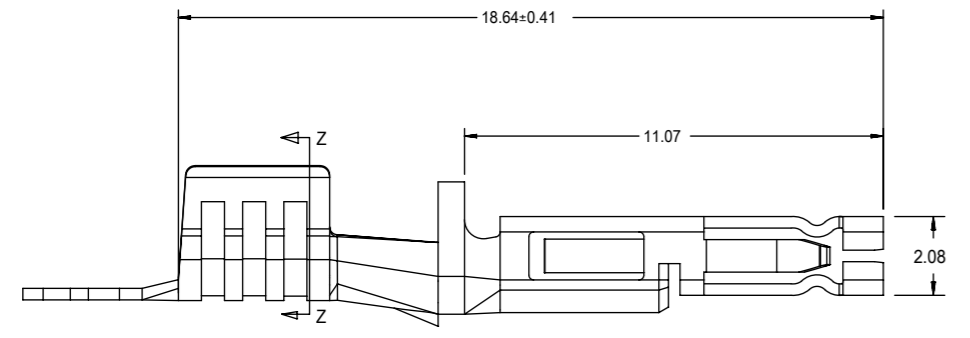
ITEM NO.	WIRE GAUGE (AWG)	WIRE GAUGE (METRIC)	PLATING	PACKAGING
172063-0311	14 OR 16 AWG	1.5mm <sup>2</sup>	15 GOLD	REEL
172063-0312	12 AWG	4.0 OR 2.5mm <sup>2</sup>	15 GOLD	REEL
172063-1311	14 OR 16 AWG	1.5mm <sup>2</sup>	30 GOLD	REEL
172063-1312	12 AWG	4.0 OR 2.5mm <sup>2</sup>	30 GOLD	REEL
76823-0321	14 OR 16 AWG	1.5mm <sup>2</sup>	TIN	REEL
76823-0322	12 AWG	4.0 OR 2.5mm <sup>2</sup>	TIN	REEL



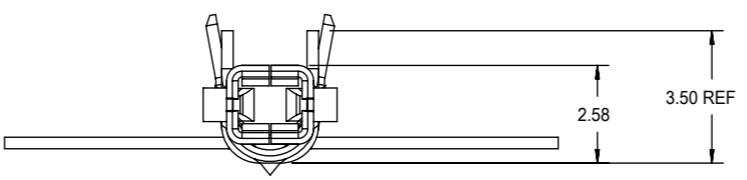
172063-0311 SHOWN



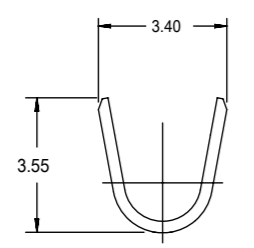
FINISH PART UNWIND DIRECTION



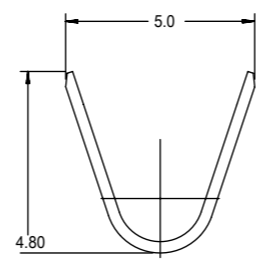
76823-0321 SHOWN



- NOTES:
- MATERIAL: HIGH CONDUCTIVITY COPPER ALLOY
  - FINISH:  
 (TIN) 1.52 MICROMETER (60 MICROINCH) MINIMUM REFLOWED MATTE TIN OVER  
 1.27 MICROMETER (50 MICROINCH) MINIMUM NICKEL. LUBRICANT ADDED TO CONTACT INTERFACE.  
 (15 GOLD) 0.38 MICROMETER (15 MICROINCH) MINIMUM SELECT GOLD AND 2.54 MICROMETER (100 MICROINCH) MINIMUM SELECT MATTE TIN OVER 1.27 MICROMETER (50 MICROINCH) MINIMUM NICKEL OVERALL.  
 (30 GOLD) 0.76 MICROMETER (30 MICROINCH) MINIMUM SELECT GOLD AND 2.54 MICROMETER (100 MICROINCH) MINIMUM SELECT MATTE TIN OVER 1.27 MICROMETER (50 MICROINCH) MINIMUM NICKEL OVERALL.
  - PRODUCT SPECIFICATION: PS-76823-100
  - PACKAGING REEL PER PK-76823-001.  
LOOSE PER PK-76823-002
  - TERMINAL FOR USE WITH 170001 & 171692-01XX SERIES RECEPTACLES.
  - APPLICATION SPECIFICATION: AS-76823-100
  - PART CONFORMS TO CLASS "B" REQUIREMENTS OF COSMETIC SPECIFICATION PS-45499-002.



SECTION Z-Z  
CONDUCTOR CRIMP 14/16 AWG



SECTION Z-Z  
CONDUCTOR CRIMP 12 AWG

MODEL: EM-76823-0111 & EM-172063-0311

THIS DRAWING CONTAINS INFORMATION THAT IS PROPRIETARY TO MOLEX ELECTRONIC TECHNOLOGIES, LLC AND SHOULD NOT BE USED WITHOUT WRITTEN PERMISSION									
DIMENSION UNITS	SCALE	CURRENT REV DESC:							
mm	NTS								
GENERAL TOLERANCES (UNLESS SPECIFIED)									
ANGULAR TOL	± 0.5°	<b>FEMALE CRIMP TERMINAL MEGA-FIT</b>							
4 PLACES ±									
3 PLACES ±		<b>PRODUCT CUSTOMER DRAWING</b>							
2 PLACES ± 0.25									
1 PLACE ± 0.36		<b>DOCUMENT NUMBER</b> SD-76823-0100							
0 PLACES ±									
DRAFT WHERE APPLICABLE MUST REMAIN WITHIN DIMENSIONS		THIRD ANGLE PROJECTION	DRAWING	SERIES	MATERIAL NUMBER	CUSTOMER	DOC TYPE	DOC PART	REVISION
			A3-SIZE	76823		GENERAL MARKET	PSD	001	C4
								SHEET NUMBER 1 OF 1	

DOCUMENT STATUS	P1	RELEASE DATE	2023/07/24	06:40:41
-----------------	----	--------------	------------	----------