



产品编号 : [1733050115](#)

**Product Description** : SpeedEdge Vertical Plug, 0.80mm Pitch, 1.40mm Height, 60 Circuits, UL94V-0, Black

系列号 : 173305

**状态** : Active

**Product Category** : PCB Headers and Receptacles

---

## 文件和资源

### 图纸

[图纸 1733050115\\_sd.pdf](#)

[包装设计图 PK-70873-6003-001.pdf](#)

### 3D 模型和设计文件

[3D模型 1733050115\\_stp.zip](#)

[电气模型文件 1733000008-000.pdf](#)

[S参数 1733000008-000.zip](#)


### 规格

[应用规格 1733000001-000.pdf](#)

---

## 产物环境合规

### 合规

GADSL/IMDS	Not Relevant
China RoHS	
EU ELV	Not Relevant
Low-Halogen Status	Low-Halogen per IEC 61249-2-21
REACH SVHC	Not Contained per D(2023)8585-DC (23 Jan 2024)
EU RoHS	Compliant per EU 2015/863

### 多部分产品合规性声明

- Eu RoHS
- REACH SVHC
- Low-Halogen
  
- IPC 1752A Class C
- IPC 1752A Class D
- Molex Product Compliance Declaration

- IEC-62474

- chemSHERPA (xml)

欧盟 RoHS 合格证书

## 产品详情

### 常规

状态	活动
类别	PCB Headers and Receptacles
系列	173305
说明	SpeedEdge Vertical Plug, 0.80mm Pitch, 1.40mm Height, 60 Circuits, UL94V-0, Black
应用	Board-to-Board
元件类型	PCB Header
产品系列	SpeedMezz Connector Family
产品名称	SpeedEdge
UPC	889056649117

### 机构

UL	E29179
----	--------

### 电气

每触点最大电流	1.0A
电压 - 最大	29.9V AC (RMS)/DC

### 物理

断开	否
回路数 (已载入)	60
电路数 (最多)	60
颜色-树脂	黑色
耐用性(插拔次数) - 最多次数	5
阻燃性	94V-0
符合灼热丝规范	否
材料 - 金属	Copper Alloy
材料 - 接合部位电镀	金牌

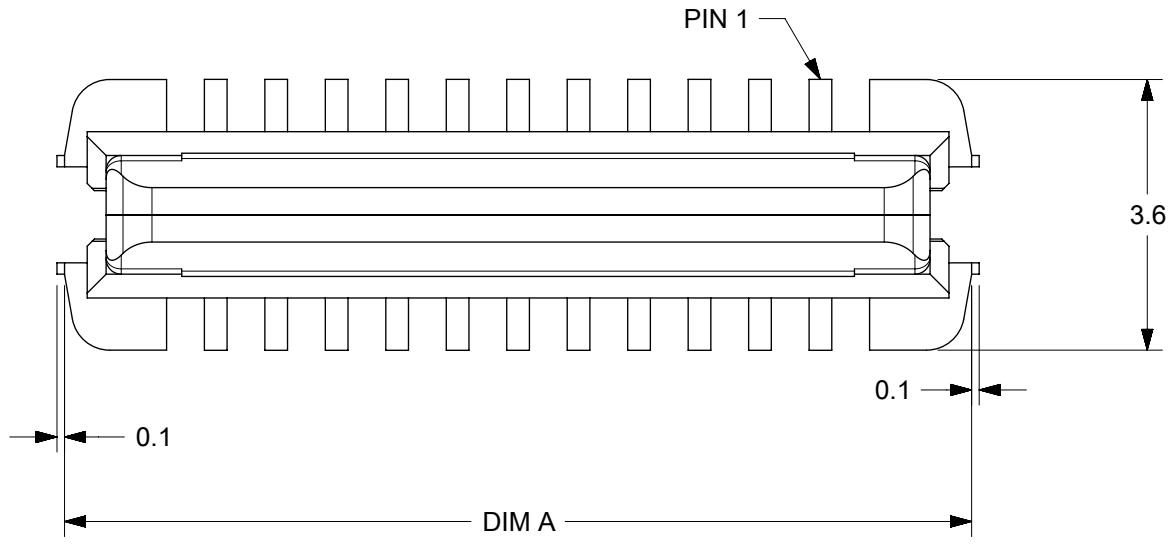
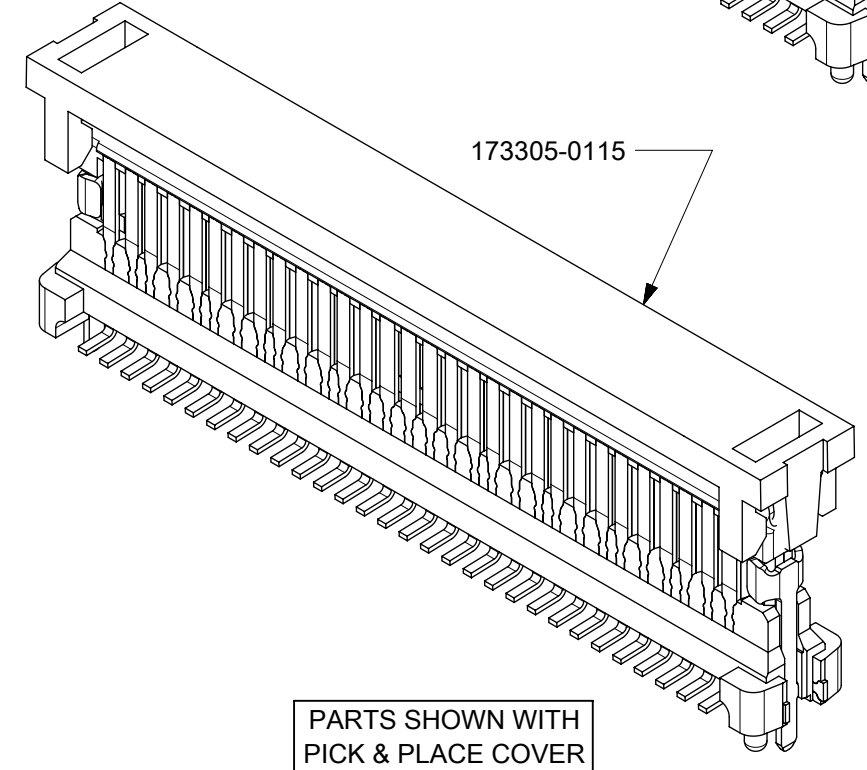
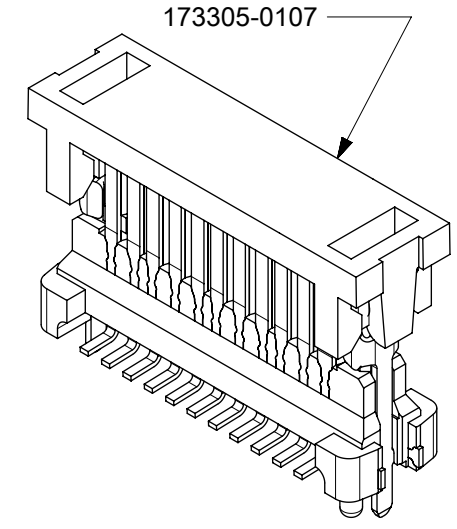
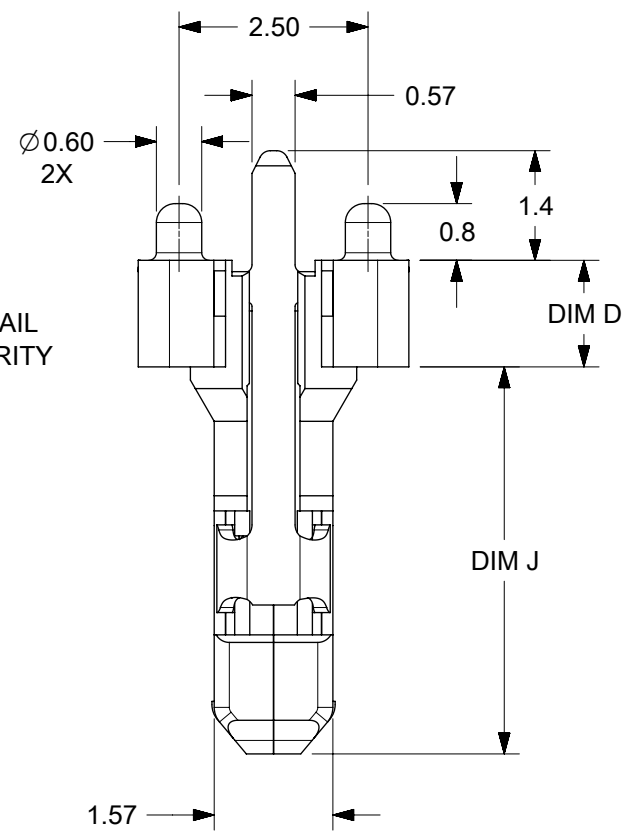
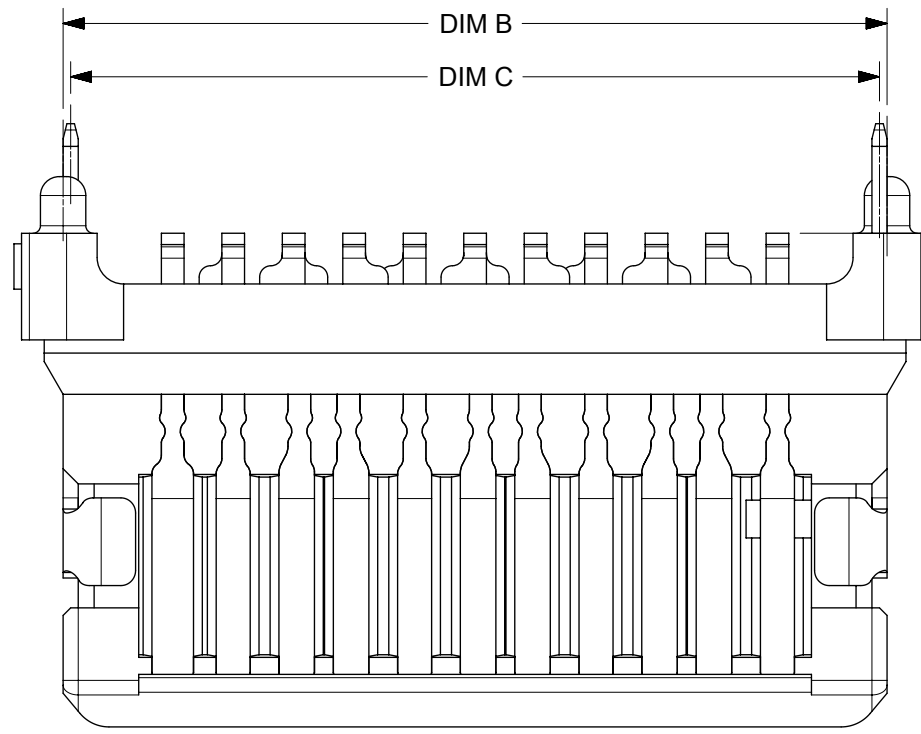
材料 - 终端电镀	Matte Tin
材料 - 树脂	Liquid Crystal Polymer
净重	0.604/g
行数	2
方向	垂直
包装形式	Embossed Tape on Reel
PCB 定位器	是
PCB 保持力	是
间距 - 插配接口	0.80mm
间距 - 终端界面	0.80mm
最薄镀层 - 接合部位	0.762 $\mu$ m
最薄镀层 - 端接	0.762 $\mu$ m
PCB 极性	是
运行温度范围	-40° to +105° C
终端界面类型	Surface Mount

---

## 可配插/可连接使用的产品

### 可配插部件

描述	产品编号
SpeedEdge Vertical Receptacle, 0.80mm Pitch, 5.60mm Height, 82 Circuits, UL94V-0, Black	<u>1733000114</u>
SpeedEdge Vertical Receptacle, 0.80mm Pitch, 5.60mm Height, 60 Circuits, UL94V-0, Black	<u>1733000106</u>

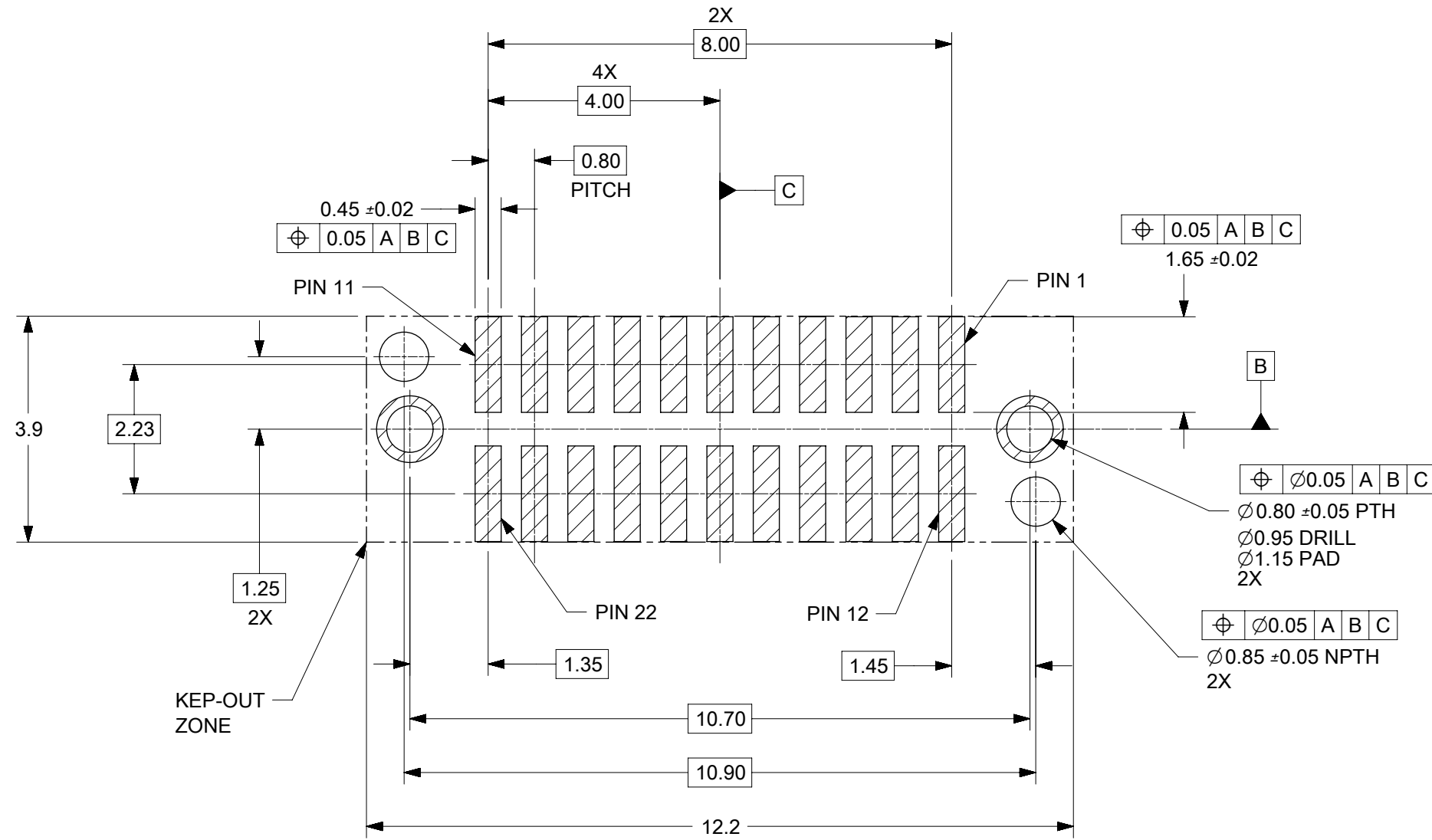


PART NUMBER	MEZZANINE STACK HT.	CKT SIZE	DIFF PAIRS	SPARE CKTS	DIM A	DIM B	DIM C	DIM D	DIM J
173305-0107	7mm	22	6	2	12.0	10.90	10.70	1.40	5.1
173305-0115	7mm	60	16	8	27.2	26.10	25.90	1.40	5.1
173305-0116	8mm	60	16	8	27.2	26.10	25.90	2.40	5.1

- NOTES:
- MATERIALS: HOUSING: LCP, UL94V-0, BLACK  
CONTACTS: HIGH PERFORMANCE COPPER ALLOY
  - FINISH: 0.76 μm MIN SELECT GOLD IN CONTACT AREA  
SELECT MATTE TIN IN TAIL AREA, OVERALL NICKEL
  - PRODUCT SPECIFICATION: PS-173300-0001
  - PACKAGING SPECIFICATION: TAPE AND REEL  
PER PK-70873-6003
  - MATES WITH SPEEDEDGE RECEPTACLE SERIES 173300
  - APPLICATION SPECIFICATION: AS-173300-9999
  - COSMETIC SPECIFICATION: PS-45499-002 CLASS B
  - PART STATUS: CONTACT MOLEX
  - PARTS TO BE SHIPPED WITH PICK & PLACE COVERS.

THIS DRAWING CONTAINS INFORMATION THAT IS PROPRIETARY TO MOLEX ELECTRONIC TECHNOLOGIES, LLC AND SHOULD NOT BE USED WITHOUT WRITTEN PERMISSION									
QUALITY SYMBOLS	MIGRATED TO NX	EC NO: 122646	DRWN: MAZAM	CHKD: JBINGHAM	APPR: KLANG	GENERAL TOLERANCES (UNLESS SPECIFIED)		DIMENSION UNITS	SCALE
						ANGULAR TOL ± 0.5 °		mm	10:1
▽ = 0						4 PLACES ±		DRWN BY	DATE
▽ = 0						3 PLACES ±		JBINGHAM	2016/12/05
▽ = 0						2 PLACES ± 0.13		CHK'D BY	DATE
▽ = 0						1 PLACE ± 0.25		KLANG	2016/12/05
▽ = 0						0 PLACES ±		APPR BY	DATE
▽ = 0								KLANG	2016/12/20
▽ = 0								DRAWING SIZE	THIRD ANGLE PROJECTION
▽ = 0								B	
▽ = 0								DRAFT WHERE APPLICABLE MUST REMAIN WITHIN DIMENSIONS	
					SERIES		MATERIAL NUMBER		CUSTOMER
					173305		SEE CHART		GENERAL MARKET
					DOCUMENT NUMBER		DOC TYPE	DOC PART	SHEET NUMBER
					SD-173305-0100		PSD	001	1 OF 4

# PCB LAYOUT - 22 CKT



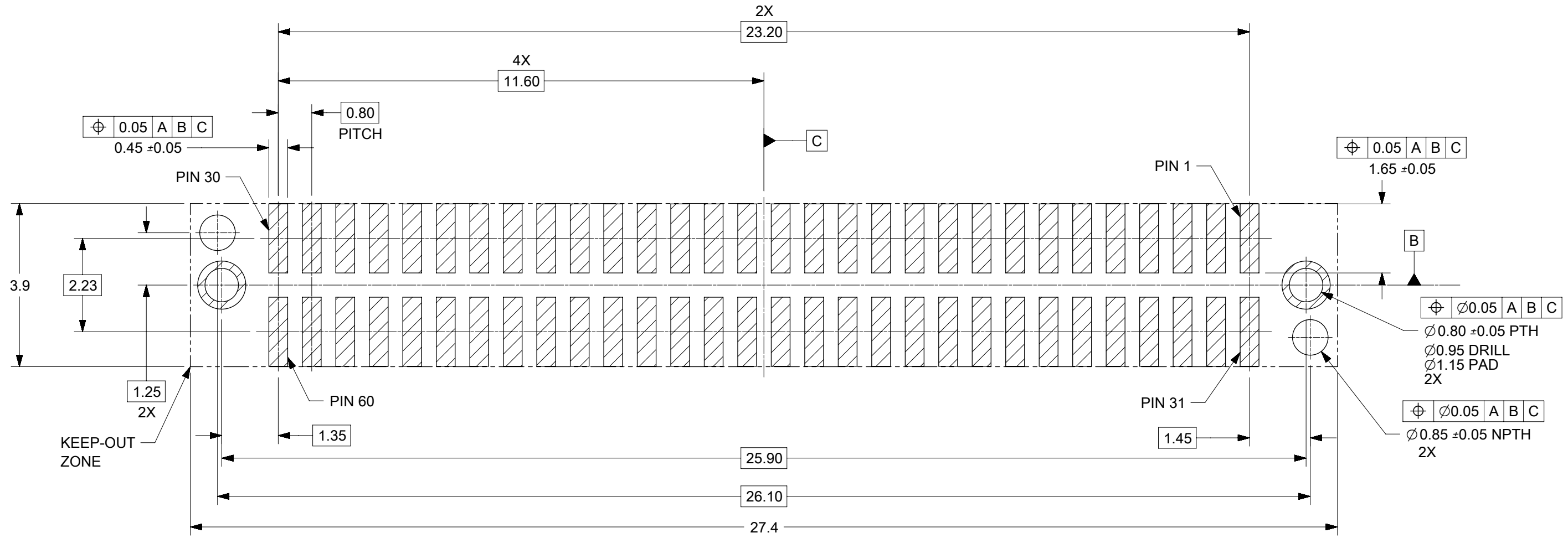
## PCB LAYOUT (COMPONENT SIDE)

SOLDER PASTE THICKNESS: 0.11 MIN  
 DATUM [A] IS THE BOTTOM SURFACE OF THE PCB

NOTE:  
 PIN NUMBERING IS FOR REFERENCE ONLY.  
 OTHER PIN NUMBERS WILL NOT AFFECT THE  
 OPERATION OF THE CONNECTOR.

THIS DRAWING CONTAINS INFORMATION THAT IS PROPRIETARY TO MOLEX ELECTRONIC TECHNOLOGIES, LLC AND SHOULD NOT BE USED WITHOUT WRITTEN PERMISSION									
QUALITY SYMBOLS ▽ = 0 ▽ = 0 ▽ = 0 ▼ = 0 ▽ = 0 ⊠ = 0 ■ = 0 ▽ = 0	EC NO: 122646 DRWN: MAZAM CHKD: JBINGHAM APPR: KLANG MIGRATED TO NX	GENERAL TOLERANCES (UNLESS SPECIFIED)		DIMENSION UNITS	SCALE				
		ANGULAR TOL ± 0.5 °		mm	10:1				
		4 PLACES ±		DRWN BY	DATE	SPEEDEDGE SINGLE-ENDED PLUG SALES ASSEMBLY DRAWING			
		3 PLACES ±		JBINGHAM	2016/12/05				
2 PLACES ± 0.13		CHK'D BY	DATE	PRODUCT CUSTOMER DRAWING					
1 PLACE ± 0.25		KLANG	2016/12/05						
0 PLACES ±		APPR BY	DATE	SERIES MATERIAL NUMBER CUSTOMER 173305 SEE CHART GENERAL MARKET					
DRAFT WHERE APPLICABLE MUST REMAIN WITHIN DIMENSIONS		KLANG	2016/12/20						
		DRAWING SIZE	THIRD ANGLE PROJECTION	DOCUMENT NUMBER DOC TYPE DOC PART SHEET NUMBER SD-173305-0100 PSD 001 2 OF 4					
		B							

# PCB LAYOUT - 60 CKT



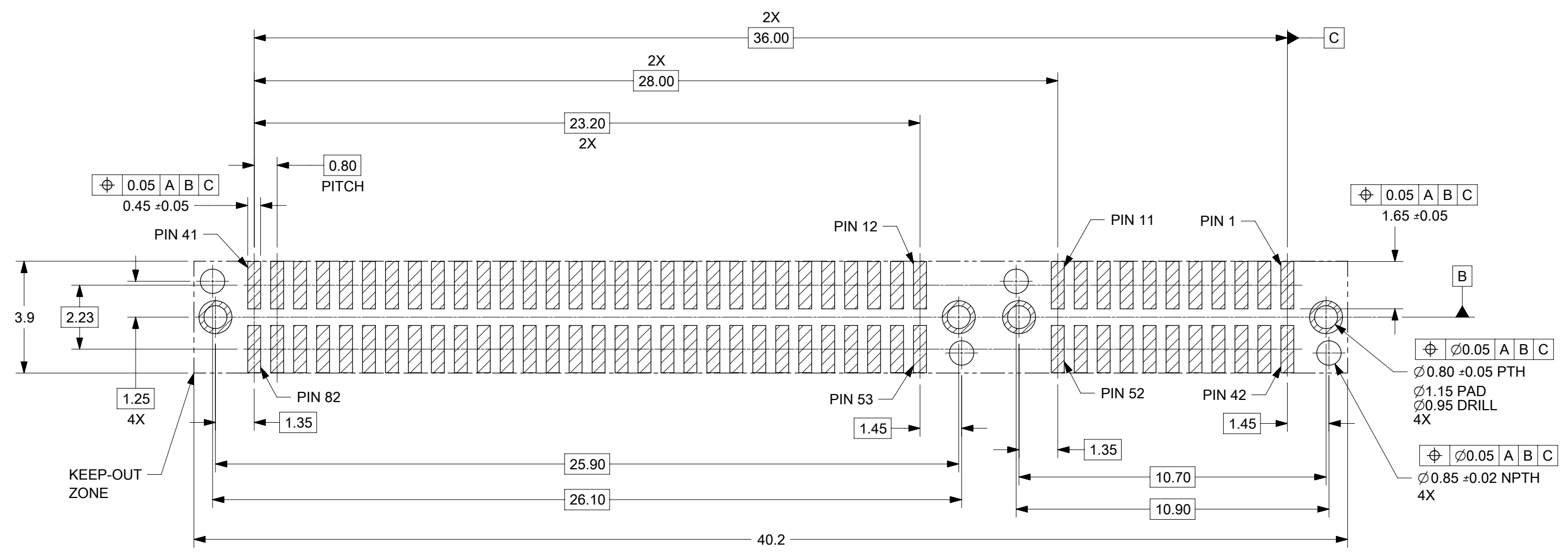
## PCB LAYOUT (COMPONENT SIDE)

SOLDER PASTE THICKNESS: 0.11 MIN  
 DATUM **A** IS THE BOTTOM SURFACE OF THE PCB

NOTE:  
 PIN NUMBERING IS FOR REFERENCE ONLY.  
 OTHER PIN NUMBERS WILL NOT AFFECT THE  
 OPERATION OF THE CONNECTOR.

THIS DRAWING CONTAINS INFORMATION THAT IS PROPRIETARY TO MOLEX ELECTRONIC TECHNOLOGIES, LLC AND SHOULD NOT BE USED WITHOUT WRITTEN PERMISSION											
QUALITY SYMBOLS	EC NO: 122646 DRWN: MAZAM CHKD: JBINGHAM APPR: KLANG MIGRATED TO NX	GENERAL TOLERANCES (UNLESS SPECIFIED)		DIMENSION UNITS	SCALE						
		ANGULAR TOL $\pm 0.5^\circ$		mm	10:1						
$\nabla$ = 0	EC NO: 122646 DRWN: MAZAM CHKD: JBINGHAM APPR: KLANG MIGRATED TO NX	4 PLACES	$\pm$	DRWN BY	DATE	SPEEDEDGE SINGLE-ENDED PLUG SALES ASSEMBLY DRAWING					
$\nabla$ = 0		3 PLACES	$\pm$	JBINGHAM	2016/12/05						
$\nabla$ = 0		2 PLACES	$\pm 0.13$	CHK'D BY	DATE						
$\blacktriangledown$ = 0		1 PLACE	$\pm 0.25$	KLANG	2016/12/05	PRODUCT CUSTOMER DRAWING					
$\nabla$ = 0		0 PLACES	$\pm$	APPR BY	DATE						
$\square$ = 0		DRAFT WHERE APPLICABLE MUST REMAIN WITHIN DIMENSIONS		KLANG	2016/12/20	DRAWING SIZE	THIRD ANGLE PROJECTION	SERIES	MATERIAL NUMBER	CUSTOMER	
$\nabla$ = 0	<b>A4</b>	REV	<b>B</b>	<b>B</b>	<b>B</b>	<b>B</b>	173305	SEE CHART	GENERAL MARKET		
							DOCUMENT NUMBER	DOC TYPE	DOC PART	SHEET NUMBER	
							SD-173305-0100	PSD	001	3 OF 4	

# PCB LAYOUT - 82 CKT



## PCB LAYOUT (COMPONENT SIDE)

SOLDER PASTE THICKNESS: 0.11 MIN  
 DATUM A IS THE BOTTOM SURFACE OF THE PCB

NOTE:  
 PIN NUMBERING IS FOR REFERENCE ONLY.  
 OTHER PIN NUMBERS WILL NOT AFFECT THE  
 OPERATION OF THE CONNECTOR.

THIS DRAWING CONTAINS INFORMATION THAT IS PROPRIETARY TO MOLEX ELECTRONIC TECHNOLOGIES, LLC AND SHOULD NOT BE USED WITHOUT WRITTEN PERMISSION												
QUALITY SYMBOLS	EC NO: 122646 DRWN: MAZAM CHK'D: JBINGHAM APPR: KLANG MIGRATED TO NX	GENERAL TOLERANCES (UNLESS SPECIFIED)				DIMENSION UNITS	SCALE					
		ANGULAR TOL $\pm 0.5^\circ$				mm	7:1					
$\nabla$ = 0	EC NO: 122646 DRWN: MAZAM CHK'D: JBINGHAM APPR: KLANG MIGRATED TO NX	4 PLACES $\pm$	DRWN BY		DATE		SPEEDEDGE SINGLE-ENDED PLUG SALES ASSEMBLY DRAWING					
$\nabla$ = 0		3 PLACES $\pm$	JBINGHAM		2016/12/05							
$\nabla$ = 0		2 PLACES $\pm 0.13$	CHK'D BY		DATE							
$\blacktriangledown$ = 0		1 PLACE $\pm 0.25$	KLANG		2016/12/05		PRODUCT CUSTOMER DRAWING					
$\nabla$ = 0		0 PLACES $\pm$	APPR BY		DATE							
$\square$ = 0			KLANG		2016/12/20		SERIES	MATERIAL NUMBER	CUSTOMER			
$\square$ = 0		DRAFT WHERE APPLICABLE MUST REMAIN WITHIN DIMENSIONS		DRAWING SIZE	THIRD ANGLE PROJECTION		173305	SEE CHART	GENERAL MARKET			
$\nabla$ = 0			B			DOCUMENT NUMBER		DOC TYPE	DOC PART	SHEET NUMBER		
							SD-173305-0100	PSD	001	4 OF 4		