



产品编号 : 190350005

系列号 : 19035

Product Category : Quick Disconnects

Product Description : Avikrimp Snap Plug,
for 14-16 AWG Wire, Box, 24.08mm Length

状态 : Active

工程编号 : B-579

文件和资源

图纸

图纸 190350005_sd.pdf

3D 模型和设计文件

3D模型 190350005_stp.zip


规格

产品规格 PS-19902-011-001.pdf

产品规格 PS-19902-013-001.pdf

产物环境合规

合规

GADSL/IMDS	Not Relevant
China RoHS	
EU ELV	Not Relevant
Low-Halogen Status	Low-Halogen per IEC 61249-2-21
REACH SVHC	Not Contained per D(2023)8585-DC (23 Jan 2024)
EU RoHS	Compliant per EU 2015/863

多部分产品合规性声明

- Eu RoHS
- REACH SVHC
- Low-Halogen
- IPC 1752A Class C
- IPC 1752A Class D
- Molex Product Compliance Declaration
- IEC-62474
- chemSHERPA (xml)

产品详情

常规

状态	活动
类别	Quick Disconnects
系列	19035
说明	Avikrimp Snap Plug, for 14-16 AWG Wire, Box, 24.08mm Length
个评论	Molded Nylon Insulation
产品系列	Snap Plugs and Receptacles
产品名称	Avikrimp
类型	Snap Plug
UPC	800753047877

机构

CSA	LR18689
UL	E152602

电气

电压 - 最大	不适用
---------	-----

物理

筒型	已关闭
颜色-树脂	蓝色
阻燃性	94V-2
性别	男
符合灼热丝规范	否
绝缘	Partial
绝缘	Nylon (PA)
锁定插接部位	无
材料 - 金属	Copper
材料 - 接合部位电镀	Tin
材料 - 终端电镀	Tin
材料 - 树脂	Nylon

净重	1.814/g
方向	Straight
包装形式	Bag
调整片厚度	不适用
调整片宽	不适用
导线绝缘直径	4.32mm max.
线径规格 (AWG)	14, 16
线缆尺寸mm ²	1.30-2.00

进程

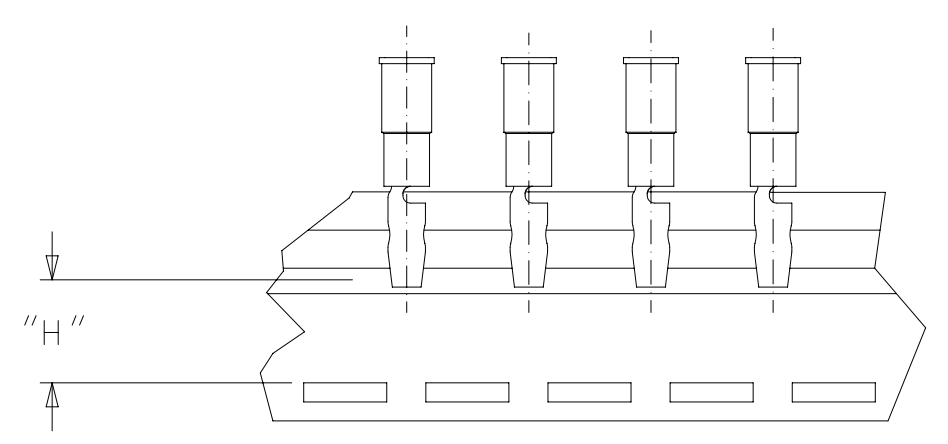
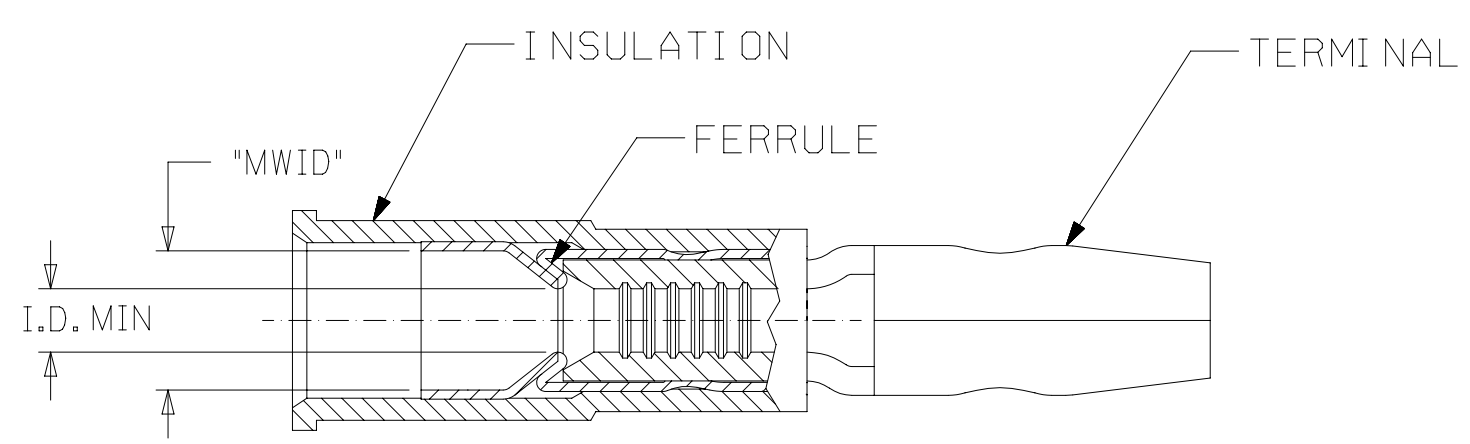
无铅	不适用
----	-----

施工工具

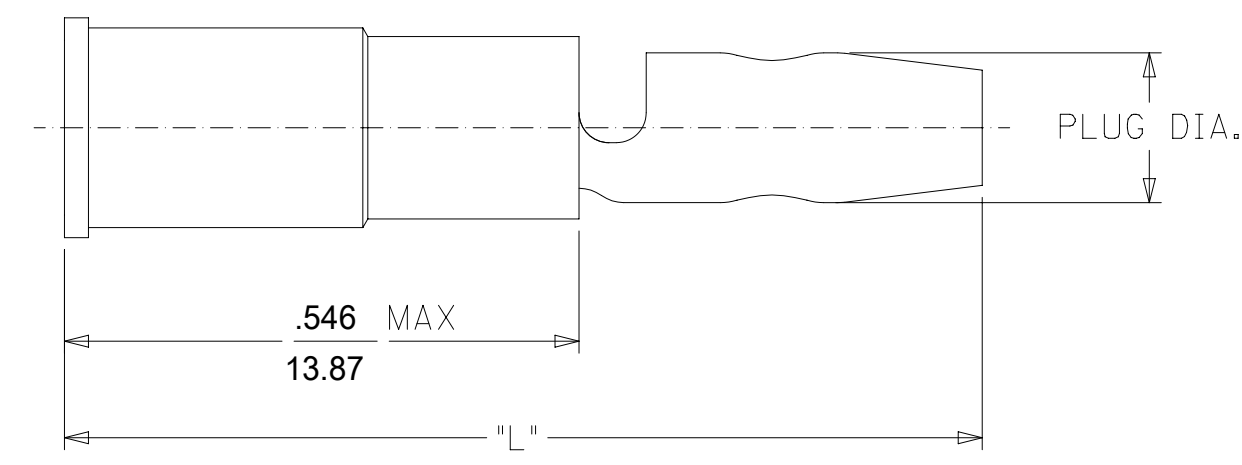
全局

描述	产品编号
PremiumGrade Hand Crimp Tool for Avikrimp and Insulkrimp Terminals and Splices, 10-22 AWG and 6.0-0.5mm ² (Rings, Spades, Hooks, Block Spades and Flanged Spades)	<u>640010100</u>
Crimp Head for the AT-200 Pneumatic Hand Tool	<u>640050100</u>
ServiceGrade Hand Crimp Tool for Field Repair only, for production use our PremiumGrade Tool	<u>640160036</u>

10		9		8		7	6	5	4	3	2	1
LOOSE PIECE		TAPE MOUNTED		WIRE RANGE AWG	INSULATION COLOR	I.D. MIN.	PLUG DIA.	MAX "L"	"MWID"	"H"		
MATERIAL NO.	ENG. NO.	MATERIAL NO.	ENG. NO.								±. 01 0/0.25	
190350001	A-559	190350002	A-559T	18-22	RED	.056/1.42	.180/4.57	1.046/26.57	.140/3.56	.495/12.57		
190350003	A-569	190350004	A-569T	18-22	RED	.056/1.42	.156/3.96	.991/25.17 (C1)	.140/3.56	.555/14.10		
190350005	B-579	190350008	B-579T	14-16	BLUE	.084/2.13	.180/4.57	1.046/26.57	.170/4.32	.495/12.57		
190350009	B-589	190350012	B-589T	14-16	BLUE	.084/2.13	.156/3.96	.991/25.17 (C1)	.170/4.32	.555/14.10		



TAPE MOUNTING DETAIL



- NOTE(S):
1. TERMINAL: MATERIAL COPPER .032 (0.81)THK MAX
FINISH: ELECTRO-TIN
FERRULE: MATERIAL BRASS
FINISH: ELECTRO-TIN
INSULATION: NYLON
 2. MWID = MAXIMUM WIRE INSULATION DIAMETER.
 3. ASSEMBLY IS RoHS COMPLIANT.

THIS DRAWING CONTAINS INFORMATION THAT IS PROPRIETARY TO MOLEX ELECTRONIC TECHNOLOGIES, LLC AND SHOULD NOT BE USED WITHOUT WRITTEN PERMISSION											
FUNCTIONAL SYMBOLS		DIMENSION UNITS		SCALE		CURRENT REV DESC: MIGRATE TO NX & MAX DIM "L" .991 WAS .986					
FA = 0		INCH/MM		1:1		molex MALE BULLET SNAP PLUG, MOLDED, AVIKRIMP PRODUCT CUSTOMER DRAWING EC NO: 642291 DRWN: DMYRICK 2020/07/23 CHK'D: JMACNEIL 2020/07/28 APPR: JMACNEIL 2020/07/28 INITIAL REVISION: DRWN: APPR:					
FE = 0		GENERAL TOLERANCES (UNLESS SPECIFIED)									
FP = 0		MM		INCH							
DIVISIONAL SYMBOLS		4 PLACES ±		±							
		3 PLACES ±		± 0.005							
		2 PLACES ±		± 0.13 ± 0.01							
		1 PLACE ±		± 0.25 ±							
		0 PLACES ±		±							
		ANGULAR TOL		± 0.5°							
DRAFT WHERE APPLICABLE MUST REMAIN WITHIN DIMENSIONS				THIRD ANGLE PROJECTION		DRAWING		SERIES		MATERIAL NUMBER	
						B-SIZE		19035		SEE CHART	
DOCUMENT STATUS				RELEASE DATE		CUSTOMER		SHEET NUMBER		REVISION	
P1				2020/07/28 16:52:59		GENERAL MARKET		1 OF 1		SD-19035-001 PSD 001 C1	