



产品编号 : 190690202

系列号 : 19069

Product Category : Ring and Spade Terminals

Product Description : Krimptite Ring Tongue Terminal for 10-12 AWG Wire, Stud Size 6 (M3.5), Length 19.94mm

状态 : Active

工程编号 : C-128-06

文件和资源

图纸

图纸 190690202_sd.pdf

3D 模型和设计文件

3D模型 190690202_stp.zip


规格

产品规格 PS-19902-011-001.pdf

产品规格 PS-19902-013-001.pdf

产物环境合规

合规

GADSL/IMDS	Not Relevant
China RoHS	
EU ELV	Not Relevant
Low-Halogen Status	Low-Halogen per IEC 61249-2-21
REACH SVHC	Not Contained per D(2023)8585-DC (23 Jan 2024)
EU RoHS	Compliant per EU 2015/863

多部分产品合规性声明

- Eu RoHS
- REACH SVHC
- Low-Halogen

- IPC 1752A Class C
- IPC 1752A Class D
- Molex Product Compliance Declaration
- IEC-62474

产品详情

常规

状态	活动
类别	Ring and Spade Terminals
系列	19069
说明	Krimptite Ring Tongue Terminal for 10-12 AWG Wire, Stud Size 6 (M3.5), Length 19.94mm
关键字	Ring Terminal, Ring Terminals
产品系列	Solderless Terminals
产品名称	Krimptite
类型	Ring
UPC	800755067200

机构

CSA	LR18689
UL	E32244

物理

筒型	已关闭
绝缘	无
材料 - 接合部位电镀	Tin
材料 - 终端电镀	Tin
净重	1.536/g
包装形式	Bag
最薄镀层 - 接合部位	2.540µm
最薄镀层 - 端接	2.540µm
螺柱规格	5-6 (M3-3.5)
终端界面类型	Crimp or Compression
线径规格 (AWG)	10, 12
线缆尺寸mm ²	4.00-6.00

进程

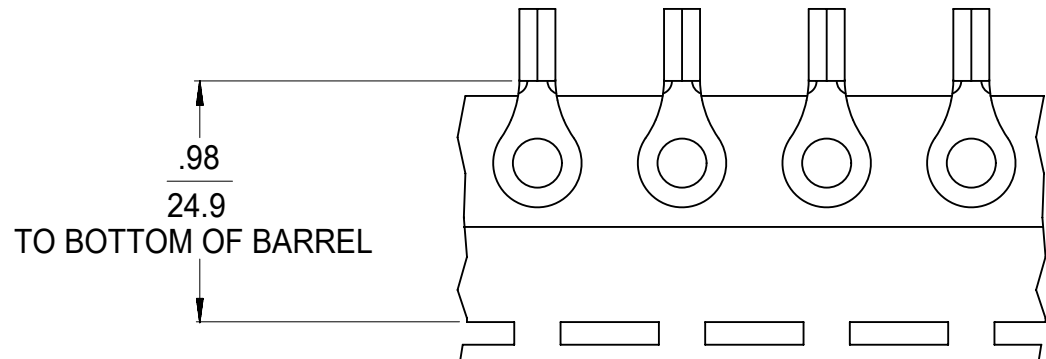
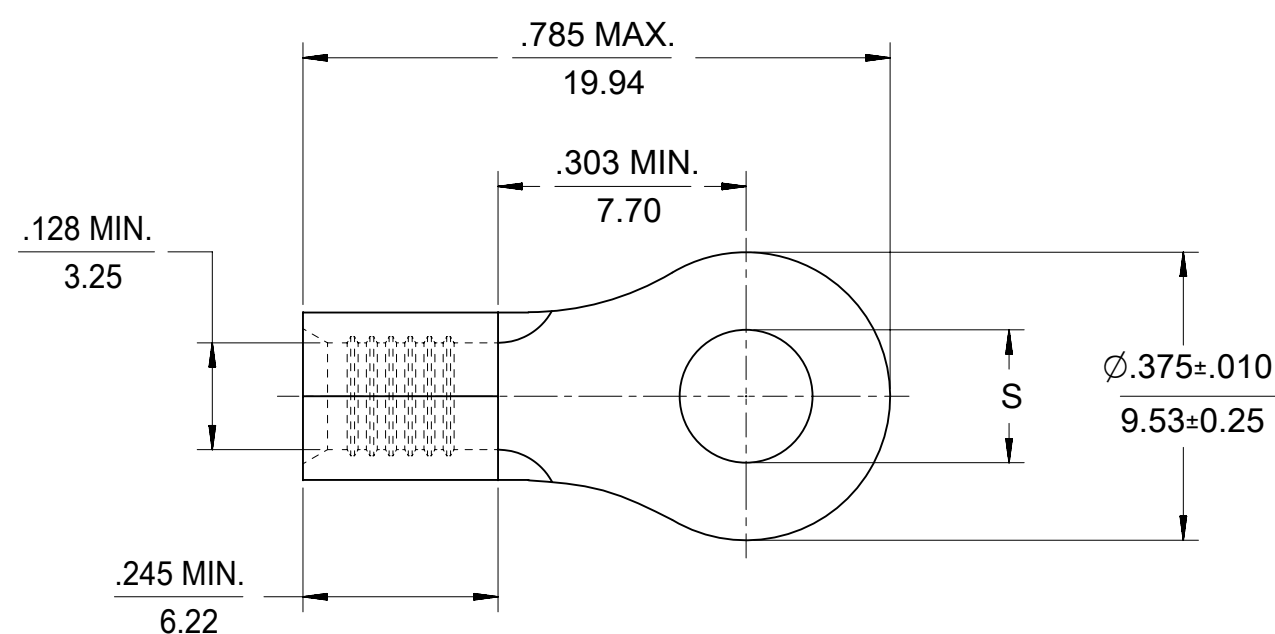
无铅	不适用
----	-----

施工工具

全局

描述	产品编号
PremiumGrade Hand Crimp Tool for Krimptite/Versakrimp Terminals and Splices, 10-22 AWG and 6.0mm ² - 0.5mm ²	<u>640030100</u>
Crimp Head for the AT-200 Pneumatic Hand Tool	<u>640070100</u>
ServiceGrade Hand Crimp Tool - Ratchet	<u>640160038</u>

MAT'L NO. (LOOSE PIECE)	ENG. NO.	MAT'L NO. (TAPE MOUNTED)	ENG. NO.	STUD SIZE	"S" ±.005 (0.13)	STOCK THICKNESS	FINISH
190690200	C-128-04	190690147	C-128-04T	4	.126 (3.20)	COPPER .040 (1.02)	SEE NOTE 1
190690202	C-128-06	-----	-----	6	.146 (3.71)		
190690205	C-128-08	190690208	C-128-08T	8	.173 (4.39)		
190690209	C-128-10	190690212	C-128-10T	10	.198 (5.03)		
190690215	C-128-209	-----	-----	209	.209 (5.18)		
192030159	C-U-128-06	-----	-----	6	.146 (3.71)	NICKEL .038 (0.97)	NONE
192030160	C-U-128-08	-----	-----	8	.173 (4.39)		
192030113	C-U-128-10	192030114	C-U-128-10T	10	.198 (5.03)		
190690682	C-128-10-AU	-----	-----	10	.198 (5.03)	COPPER .040 (1.02)	SEE NOTE 2



- NOTES:
- FINISH: TIN PLATING, 100 µin (2.5 µm) MIN
 - FINISH: GOLD, 50 µin (1.25 µm) MIN. OVER NICKEL, 50 µin (1.25 µm) MIN. PLATING.
 - WIRE SIZE: 12-10 AWG
 - PARTS ARE RoHS COMPLIANT.

A4

SYMBOLS										THIS DRAWING CONTAINS INFORMATION THAT IS PROPRIETARY TO MOLEX ELECTRONIC TECHNOLOGIES, LLC AND SHOULD NOT BE USED WITHOUT WRITTEN PERMISSION									
DIMENSION UNITS					SCALE					CURRENT REV DESC: CORRECTED TYPO IN NOTES, REMOVED METRIC CONVERSION: WAS 4.0-6.0									
INCH/MM					1:1					GENERAL TOLERANCES (UNLESS SPECIFIED)									
GENERAL TOLERANCES (UNLESS SPECIFIED)					MM					INCH					EC NO: 757040				
4 PLACES ±					±					±					DRWN: DEANNM1 2023/07/14				
3 PLACES ±					±					±					CHK'D: ETHRODAHL 2023/07/18				
2 PLACES ±					±					±					APPR: ETHRODAHL 2023/07/18				
1 PLACE ±					±					±					INITIAL REVISION:				
0 PLACES ±					±					±					DRWN:				
ANGULAR TOL ± °					± °					± °					APPR:				
DRAFT WHERE APPLICABLE MUST REMAIN WITHIN DIMENSIONS					THIRD ANGLE PROJECTION					DRAWING					SERIES				
B-SIZE					19069					MATERIAL NUMBER					CUSTOMER				
SD-19069-020					PSD					001					A4				
DOCUMENT NUMBER					DOC TYPE					DOC PART					REVISION				
SD-19069-020					PSD					001					A4				
MATERIAL NUMBER					CUSTOMER					SHEET NUMBER					GENERAL MARKET				
SD-19069-020					PSD					001					A4				
DOCUMENT STATUS					P1					RELEASE DATE					2023/07/18 21:49:57				