



产品编号 : 190700007

系列号 : 19070

Product Category : Ring and Spade Terminals

Product Description : InsulKrimp Ring Tongue Terminal for 18-22 AWG Wire, Stud Size 3-4 (M2.6), Length 18.01mm, Red, Bag

状态 : Active

工程编号 : AA-220-04X

文件和资源

图纸

图纸 190700007_sd.pdf

3D 模型和设计文件

3D模型 190700007_stp.zip

规格


产品规格 PS-19902-009-001.pdf

产品规格 PS-19902-011-001.pdf

产品规格 PS-19902-013-001.pdf

产物环境合规

合规

GADSL/IMDS	Not Relevant
China RoHS	
EU ELV	Not Relevant
Low-Halogen Status	Not Low-Halogen per IEC 61249-2-21
REACH SVHC	Not Contained per D(2023)8585-DC (23 Jan 2024)
EU RoHS	Compliant per EU 2015/863

多部分产品合规性声明

- Eu RoHS
- REACH SVHC
- Low-Halogen

- IPC 1752A Class C
- IPC 1752A Class D
- Molex Product Compliance Declaration

- IEC-62474

- chemSHERPA (xml)

欧盟 RoHS 合格证书

产品详情

常规

状态	活动
类别	Ring and Spade Terminals
系列	19070
说明	InsulKrimp Ring Tongue Terminal for 18-22 AWG Wire, Stud Size 3-4 (M2.6), Length 18.01mm, Red, Bag
关键字	Ring Terminal, Ring Terminals
产品系列	Solderless Terminals
产品名称	InsulKrimp
类型	Ring
UPC	800753068704

机构

CSA	LR18689
UL	E32244

物理

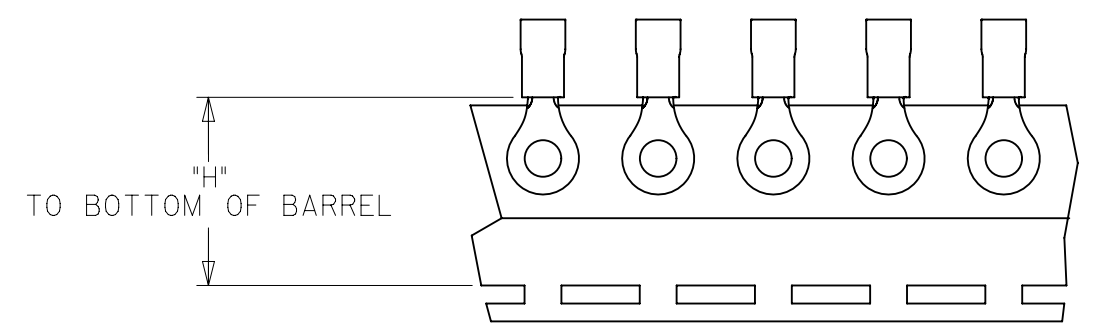
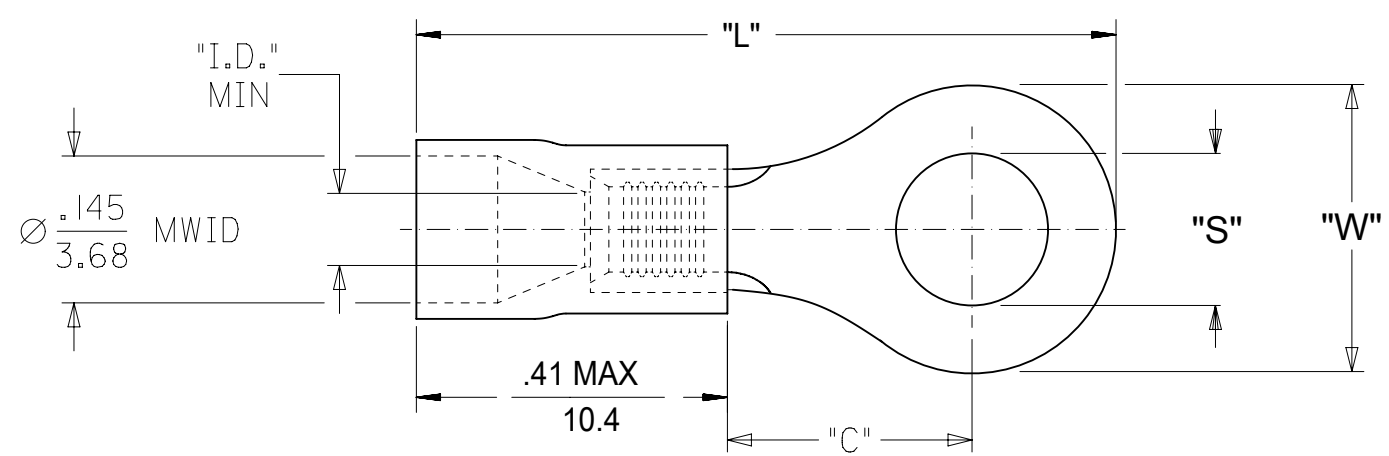
筒型	已关闭
颜色-树脂	红色
阻燃性	94V-0
绝缘	PVC
材料 - 接合部位电镀	Tin
净重	0.532/g
包装形式	Bag
螺柱规格	3-4 (M2.6)
终端界面类型	Crimp or Compression
导线绝缘直径	3.70mm max.
线径规格 (AWG)	18, 20, 22
线缆尺寸mm ²	0.35-0.80

施工工具

全局

描述	产品编号
PremiumGrade Hand Crimp Tool for Avikrimp and Insulkrimp Terminals and Splices, 10-22 AWG and 6.0-0.5mm ² (Rings, Spades, Hooks, Block Spades and Flanged Spades)	<u>640010100</u>
PremiumGrade Hand Crimp Tool for Insulkrimp Terminals and Splices, 10-22 AWG (Rings, Spades, Hooks, Block Spades and Flanged Spades)	<u>640010300</u>
Crimp Head for the AT-200 Pneumatic Hand Tool	<u>640050100</u>
Crimp Head for the AT-200 Pneumatic Hand Tool	<u>640050300</u>
ServiceGrade Hand Crimp Tool for Field Repair only, for production use our PremiumGrade Tool	<u>640160036</u>

LOOSE PIECE		TAPE MOUNTED		SPECIFICATIONS								
MATERIAL NUMBER	ALTERNATE NUMBER	MATERIAL NUMBER	ALTERNATE NUMBER	HOUSING COLOR	STUD SIZE	"S" ±.005/(0.13)	"W" MAX.	"C" MIN.	"L" MAX.	"ID" MIN.	STOCK THICKNESS REFERENCE	"H" ±.020/-.051
190700005	AA-220-02X	190700006	AA-220-02XT	RED	2	.094/(2.39)	.235/(6.00)	.157/(3.99)	.709/(18.01)	.062/(1.57)	.028/(0.71)	.980/(24.89)
190700007	AA-220-04X	190700008	AA-220-04XT	RED	4	.119/(3.02)						
190700009	AA-220-06X	190700010	AA-220-06XT	RED	6	.146/(3.71)						
190700011	AA-221-06X	190700012	AA-221-06XT	RED	6	.146/(3.71)	.322/(8.18)	.270/(6.86)	.866/(22.00)	.062/(1.57)	.028/(0.71)	
190700013	AA-221-08X	190700014	AA-221-08XT	RED	8	.173/(4.39)						
190700015	AA-221-10X	190700017	AA-221-10XT	RED	10	.198/(5.03)						
190700019	AA-221-209X	190700020	AA-221-209XT	RED	M5	.209/(5.18)	.477/(12.11)	.386/(9.80)	1.060/(26.92)	.062/(1.57)	.028/(0.71)	
190700021	AA-222-10X	190700022	AA-222-10T	RED	10	.198/(5.03)						
190700023	AA-222-14X	190700024	AA-222-14XT	RED	14	.265/(6.73)						
190700608	AA-222-14X-BK	190700601	AA-222-14XT-BK	BLACK	14	.265/(6.73)	.544/(13.82)	.552/(14.02)	1.270/(32.26) C5	.055/(1.40)	.031/(0.79)	
190700026	AA-222-56X	190700027	AA-222-56XT	RED	5/16"	.328/(8.33)						
190700609	AA-222-56X-BK	190700611	AA-222-56XT-BK	BLACK	5/16"	.328/(8.33)						
190700029	AA-226-10X	190700030	AA-226-10XT	RED	10	.198/(5.03)	.264/(6.70)	.240/(6.10)	.807/(20.50)	.062/(1.57)	.028/(0.71)	
190700031	AA-226-14X	190700032	AA-226-14XT	RED	14	.265/(6.73)						
190700036	AA-226-56X	190700037	AA-226-56XT	RED	5/16"	.328/(8.33)						
190700033	AA-226-38X	190700035	AA-226-38XT	RED	3/8"	.390/(9.91)	.283/(7.20)	.240/(6.10)	.816/(20.73)	.062/(1.57)	.028/(0.71)	
190700038	AA-232-04X	190700039	AA-232-04XT	RED	4	.119/(3.02)						
190700040	AA-232-06X	190700042	AA-232-06XT	RED	6	.146/(3.71)						
190700044	AA-232-08X	190700045	AA-232-08XT	RED	8	.173/(4.39)	.283/(7.20)	.240/(6.10)	.816/(20.73)	.062/(1.57)	.028/(0.71)	
190700051	AA-233-10X	190700052	AA-233-10XT	RED	10	.198/(5.03)						
190700612	AA-233-10X-BK	190700614	AA-233-10XT-BK	BLACK	10	.198/(5.03)						



NOTE(S):
 1. MATERIAL: COPPER
 PLATING: ELECTROPLATE TIN
 2. DELETED
 3. INSULATION: MOLDED PVC, SEE CHART FOR COLOR
 4. MWID=MAXIMUM WIRE INSULATION DIA.
 5. ALL DIMENSIONS IN INCHES (MM).
 6. PARTS ARE RoHS COMPLIANT.

THIS DRAWING CONTAINS INFORMATION THAT IS PROPRIETARY TO MOLEX ELECTRONIC TECHNOLOGIES, LLC AND SHOULD NOT BE USED WITHOUT WRITTEN PERMISSION											
SYMBOLS		DIMENSION UNITS		SCALE		CURRENT REV DESC: DIM 1.270 WAS 1.259					
▽ = 0	▽ = 0	IN/MM	NTS			<p>RING TONGUE TERMINAL INSULKRIMP, 200-SERIES 22-18 AWG</p> <p>PRODUCT CUSTOMER DRAWING</p> <p>DOCUMENT NUMBER: SD-19070-003 DOC TYPE: PSD DOC PART: 001 REVISION: C5</p> <p>MATERIAL NUMBER: SEE CHART CUSTOMER: GENERAL MARKET SHEET NUMBER: 1 OF 1</p>					
▽ = 0	▽ = 0	GENERAL TOLERANCES (UNLESS SPECIFIED)									
▽ = 0	▽ = 0	MM	INCH								
▽ = 0	▽ = 0	4 PLACES ±	±								
▽ = 0	▽ = 0	3 PLACES ±	±								
▽ = 0	▽ = 0	2 PLACES ±	±								
▽ = 0	▽ = 0	1 PLACE ±	±								
▽ = 0	▽ = 0	0 PLACES ±	±								
▽ = 0	▽ = 0	ANGULAR TOL ± °									
▽ = 0	▽ = 0	DRAFT WHERE APPLICABLE MUST REMAIN WITHIN DIMENSIONS									
		THIRD ANGLE PROJECTION		DRAWING		SERIES					
		B-SIZE		19070							