



产品编号 : 19091049

系列号 : 3191

Product Category : Connector Housings

Product Description : 2.36mm Diameter Standard .093" Pin and Socket Receptacle Housing with Positive Latch, UL 94V-2, 4 Circuits

状态 : Active

工程编号 : 3191-4R1

---

## 文件和资源

### 图纸

图纸 019091049\_sd.pdf

包装设计图 PK-3191-001-001.pdf

### 3D 模型和设计文件

3D模型 019091049\_stp.zip

### 规格


包装规格 31910001-PK-000.pdf

产品规格 PS-3191-001-001.pdf

---

## 产物环境合规

### 合规

GADSL/IMDS	Not Relevant
China RoHS	
EU ELV	Not Relevant
Low-Halogen Status	Low-Halogen per IEC 61249-2-21
REACH SVHC	Not Contained per D(2023)8585-DC (23 Jan 2024)
EU RoHS	Compliant per EU 2015/863

### 多部分产品合规性声明

- Eu RoHS
- REACH SVHC
- Low-Halogen
  
- IPC 1752A Class C
- IPC 1752A Class D
- Molex Product Compliance Declaration

- IEC-62474

- chemSHERPA (xml)

欧盟 RoHS 合格证书

## 产品详情

### 常规

状态	活动
类别	Connector Housings
系列	3191
说明	2.36mm Diameter Standard .093" Pin and Socket Receptacle Housing with Positive Latch, UL 94V-2, 4 Circuits
应用	Power, Wire-to-Board, Wire-to-Wire
个评论	Polarized to Mating Part, without Mounting Ears
产品系列	Standard .093" Pin and Socket Connectors
产品名称	Standard .093"
UPC	800753594500

### 机构

CSA	LR19980
UL	E29179

### 物理

断开	否
电路详图	2x2
电路数 (最多)	4
颜色-树脂	Natural
阻燃性	94V-2
性别	Receptacle
符合灼热丝规范	否
插接极性	无
锁定插接部位	是
材料 - 树脂	Nylon

净重	3.800/g
行数	1
包装形式	Bag
面板安装式	否
间距 - 插配接口	6.70mm
有极性的插配件	是
可堆叠的	否
运行温度范围	-40° to +105° C

#### 进程

无铅	不适用
----	-----

---

#### 可配插/可连接使用的产品

##### 可配插部件

描述	产品编号
2.36mm Diameter Standard .093" Pin and Socket Plug Housing with Positive Latch, UL 94V-0, without Panel Mount, 4 Circuits	<u>19092046</u>
2.36mm Diameter Standard .093" Pin and Socket Plug Housing with Positive Latch, UL 94V-0, with Panel Mount, 4 Circuits	<u>19092047</u>
2.36mm Diameter Standard .093" Pin and Socket Plug Housing with Positive Latch, UL 94V-2, with Panel Mount, 4 Circuits	<u>19092048</u>
2.36mm Diameter Standard .093" Pin and Socket Plug Housing with Positive Latch, UL 94V-2, without Panel Mount 4 Circuits	<u>19092049</u>
Standard .093" Pin and Socket Vertical Headers	<u>5219</u>

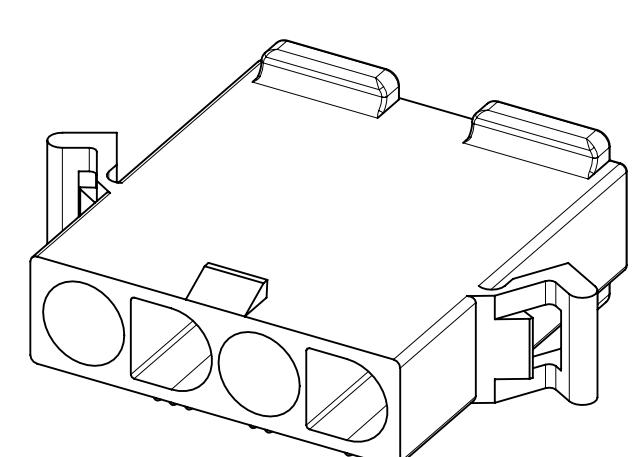
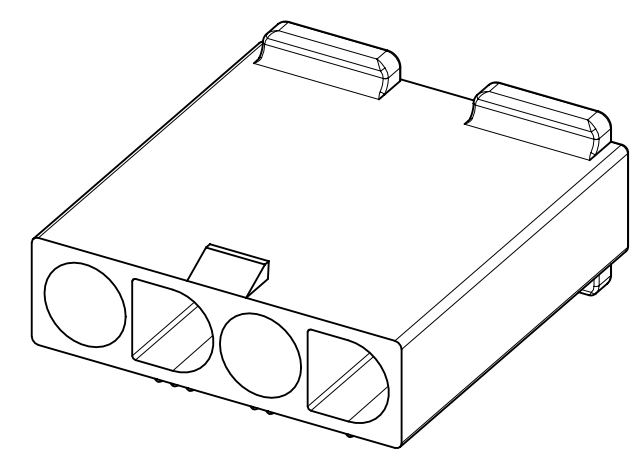
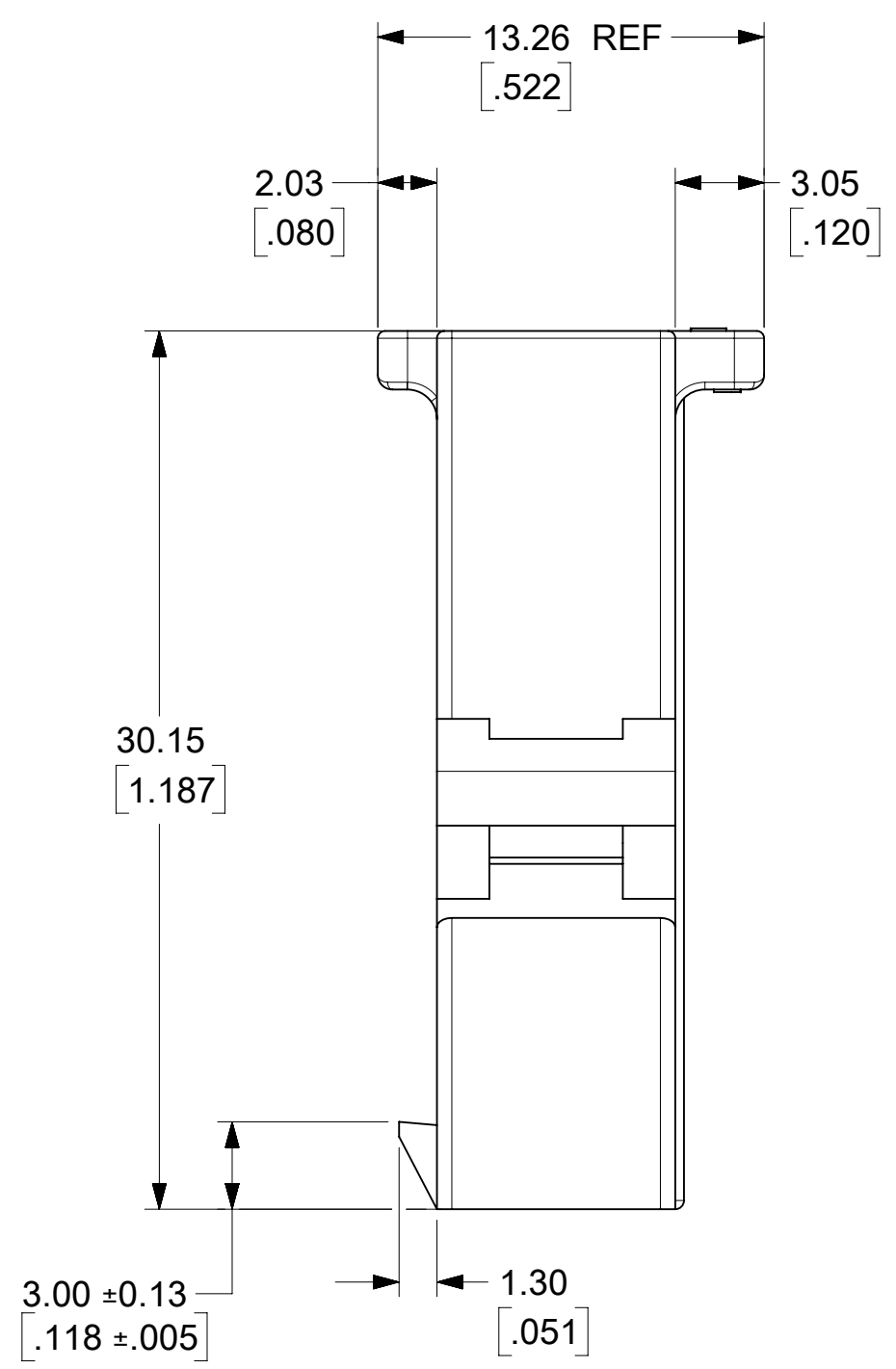
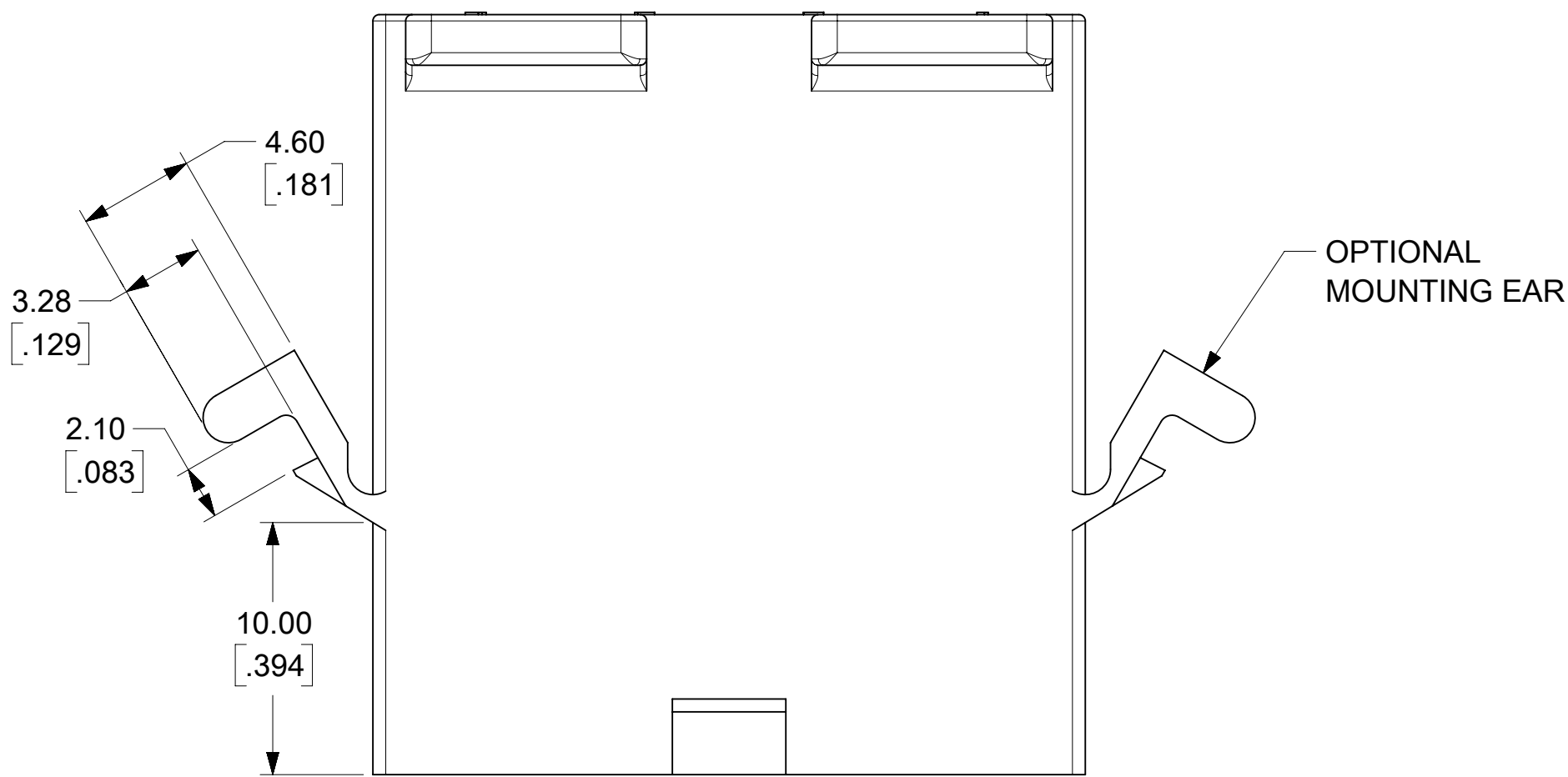
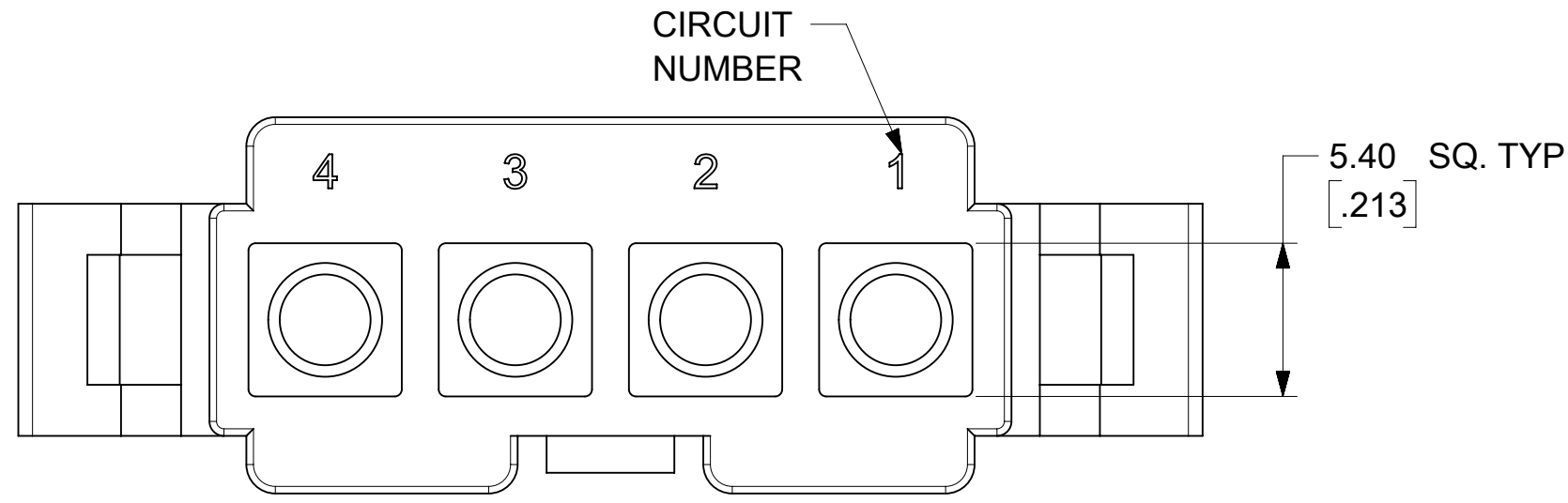
##### 可连接使用部件

描述	产品编号
Standard .093" Pin and Socket Female Crimp Terminals	<u>1189</u>
Standard .093" Pin and Socket Female Crimp Terminals	<u>1381</u>

Standard .093" Pin and Socket Female Crimp Terminal	<u>4550</u>
Standard .093" Pin and Socket Male Crimp Terminals	<u>1190</u>
Standard .093" Pin and Socket Male Crimp Terminals	<u>1380</u>
Standard .093" Pin and Socket Male Crimp Terminal	<u>1434</u>
Standard .093" Pin and Socket Male Crimp Grounding Terminals	<u>1973</u>
2.36mm Diameter, Standard .093" Pin and Socket Male Crimp Terminals	<u>42138</u>

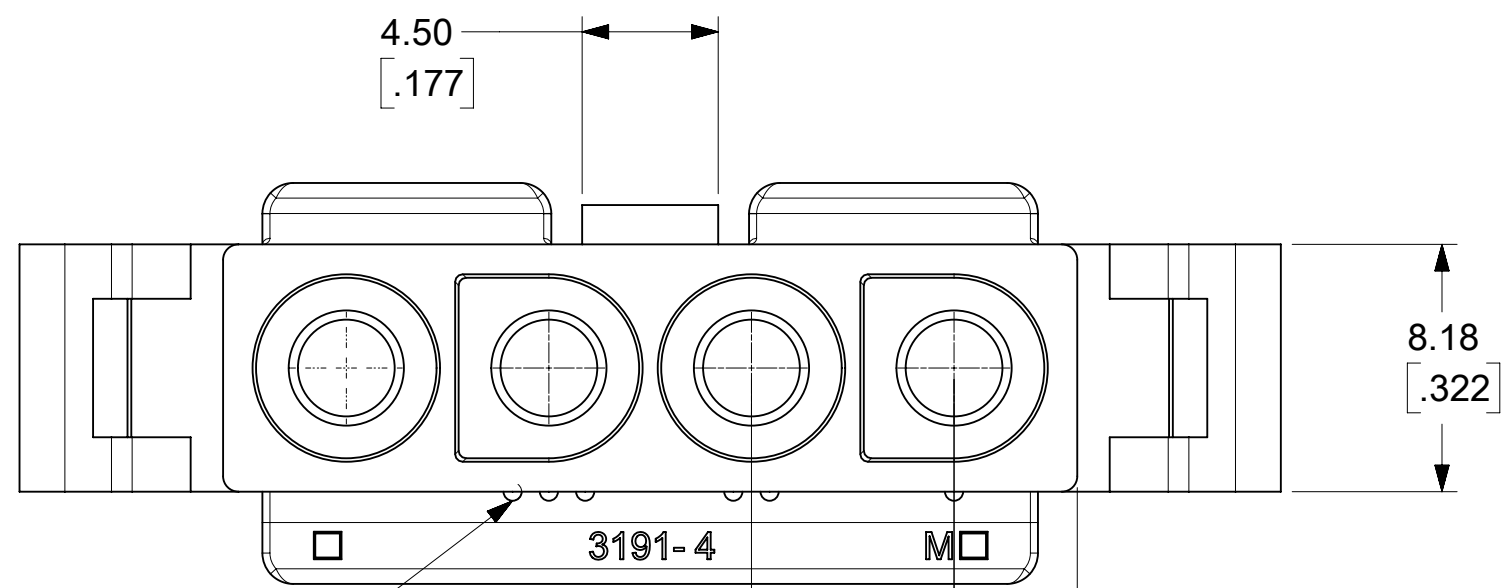
---

This document was generated on Jun 30, 2024



(SHOWN WITH OPTIONAL MOUNTING EARS)

**PLUG**



CIRCUIT I.D. RIBS

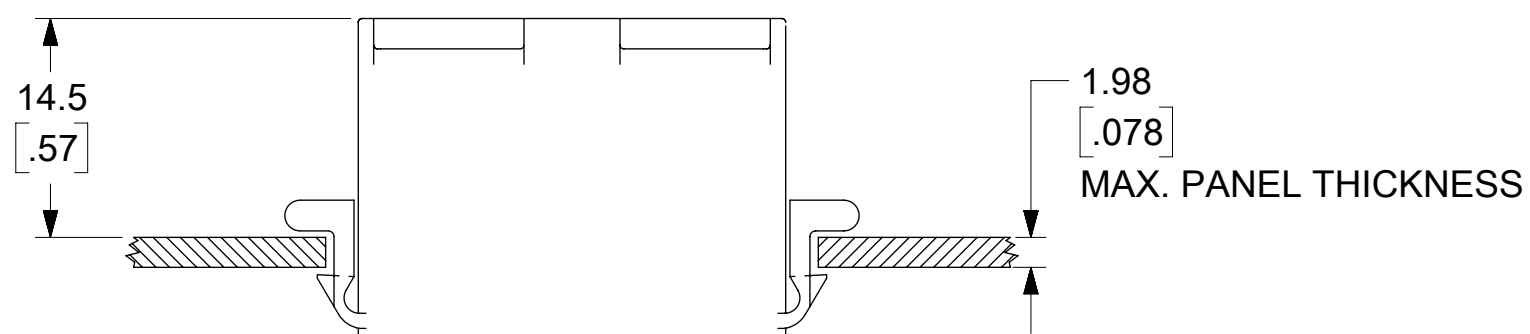
FUNCTIONAL SYMBOLS	THIS DRAWING CONTAINS INFORMATION THAT IS PROPRIETARY TO MOLEX ELECTRONIC TECHNOLOGIES, LLC AND SHOULD NOT BE USED WITHOUT WRITTEN PERMISSION										
	DIMENSION UNITS		SCALE		CURRENT REV DESC: RELEASED						
	MM/INCH		4:1		EC NO: 643927 DRWN: MKIPPER 2020/06/02 CHK'D: MKIPPER 2022/10/12 APPR: FSMITH 2022/10/14						
	GENERAL TOLERANCES (UNLESS SPECIFIED)										
DIVISIONAL SYMBOLS	4 PLACES ±		±		INITIAL REVISION: DRWN: MKIPPER 2020/06/02 APPR: FSMITH 2022/10/14						
	3 PLACES ±		± 0.01								
	2 PLACES ±		± 0.25 ± 0.015								
	1 PLACE ±		± 0.38 ±								
0 PLACES ±		±		ANGULAR TOL ± °		THIRD ANGLE PROJECTION		DRAWING SERIES			
DRAFT WHERE APPLICABLE MUST REMAIN WITHIN DIMENSIONS		C-SIZE		3191		MATERIAL NUMBER		CUSTOMER		SHEET NUMBER	
						SEE CHARTS		GENERAL MARKET		1 OF 4	

**molex**

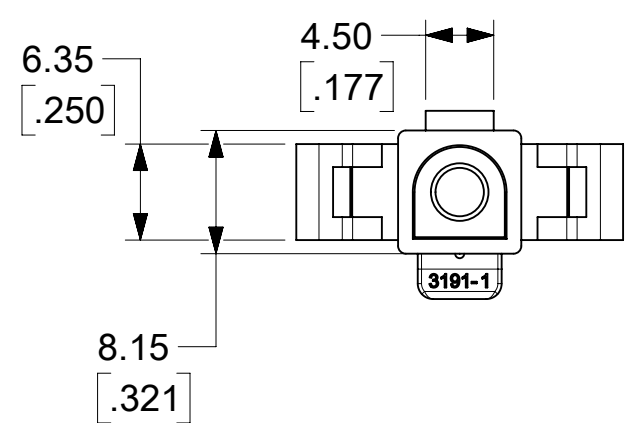
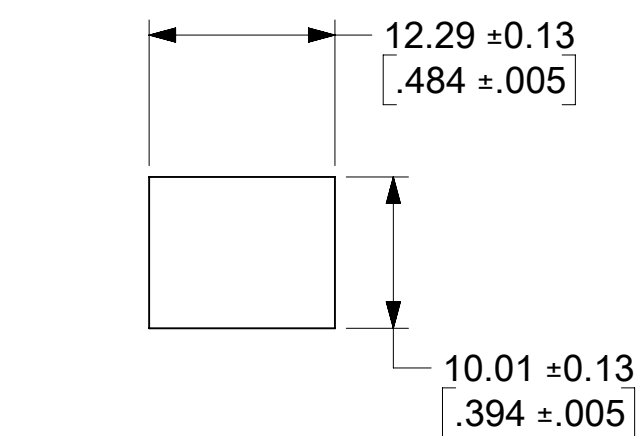
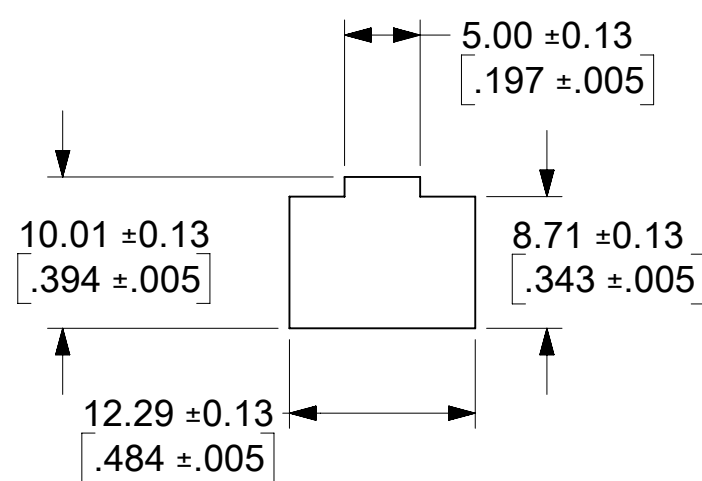
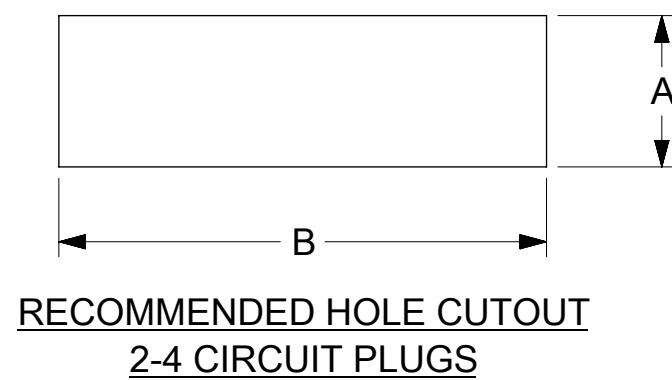
.093/(2.36) PLUG AND RECEPTACLE HOUSINGS  
SINGLE ROW 1-4 CIRCUITS

PRODUCT CUSTOMER DRAWING

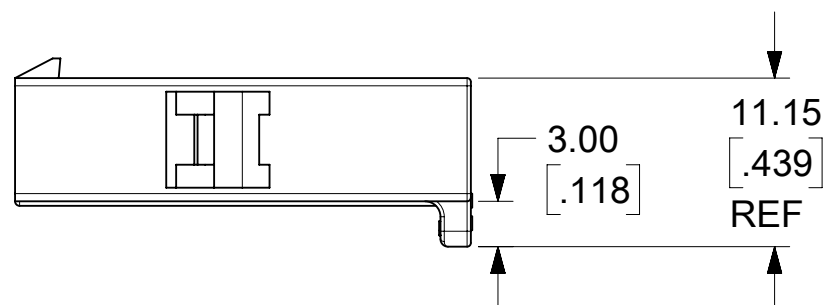
DOCUMENT NUMBER	DOC TYPE	DOC PART	REVISION
31910000-SD	PSD	000	A



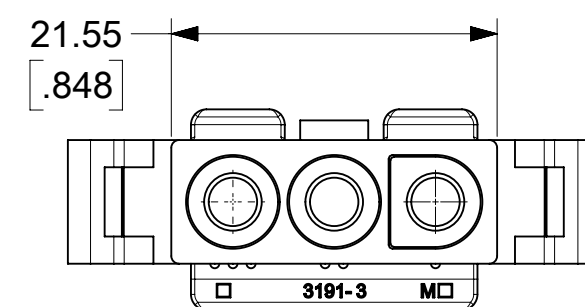
PANEL HOLE CUTOUT DIMENSIONS		
CIRCUITS	DIM. "A"	DIM. "B"
2	9.27 ±0.13 .365 ±.005	20.32 ±0.13 .800 ±.005
3	10.01 ±0.13 .394 ±.005	25.91 ±0.13 1.020 ±.005
4	10.01 ±0.13 .394 ±.005	32.26 ±0.13 1.270 ±.005



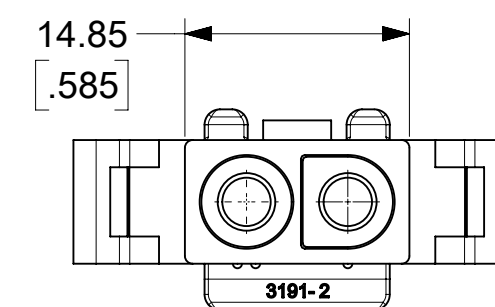
THESE DIMENSIONS APPLY TO 1 CIRCUIT PLUG ONLY  
SEE SHEETS 1 FOR OTHER DIMENSIONS.



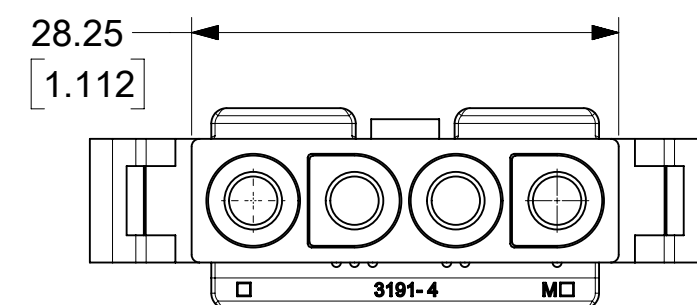
CIRCUITS	PART NO.	ENG. NO.	MATERIAL	COLOR	MOUNTING EARS	PACKAGING
1	19-09-2018	3191-1P	UL94V-2	NATURAL	YES	31910002-PK
	19-09-2019	3191-1P1	UL94V-2	NATURAL	NO	31910002-PK
	19-09-2017	3191-1P-201	UL94V-0	IVORY	YES	31910002-PK
	19-09-2016	3191-1P1-201	UL94V-0	IVORY	NO	31910002-PK
2	19-09-2028	3191-2P	UL94V-2	NATURAL	YES	31910002-PK
	19-09-2029	3191-2P1	UL94V-2	NATURAL	NO	31910002-PK
	19-09-2027	3191-2P-201	UL94V-0	IVORY	YES	31910002-PK
	19-09-2026	3191-2P1-201	UL94V-0	IVORY	NO	31910002-PK
3	19-09-2038	3191-3P	UL94V-2	NATURAL	YES	31910001-PK
	19-09-2039	3191-3P1	UL94V-2	NATURAL	NO	31910001-PK
	19-09-2037	3191-3P-201	UL94V-0	IVORY	YES	31910002-PK
	19-09-2036	3191-3P1-201	UL94V-0	IVORY	NO	31910002-PK
	19-09-3033	3191-3PBU	UL94V-2	BLUE	YES	31910002-PK
4	19-09-2048	3191-4P	UL94V-2	NATURAL	YES	31910002-PK
	19-09-2049	3191-4P1	UL94V-2	NATURAL	NO	31910002-PK
	19-09-2047	3191-4P-201	UL94V-0	IVORY	YES	31910002-PK
	19-09-2046	3191-4P1-201	UL94V-0	IVORY	NO	31910002-PK



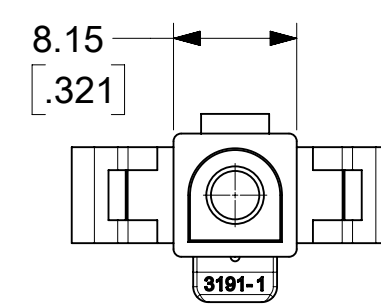
3 CIRCUIT



2 CIRCUIT



4 CIRCUIT

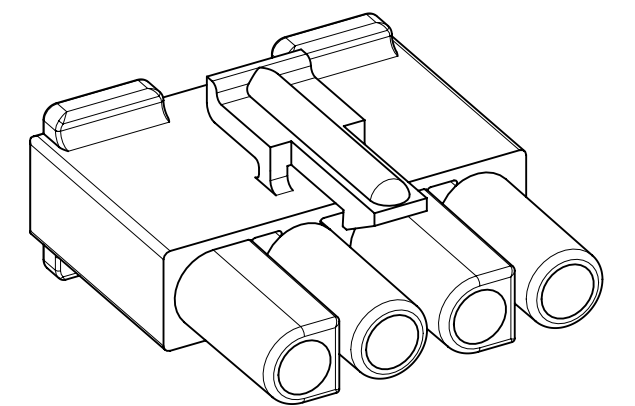
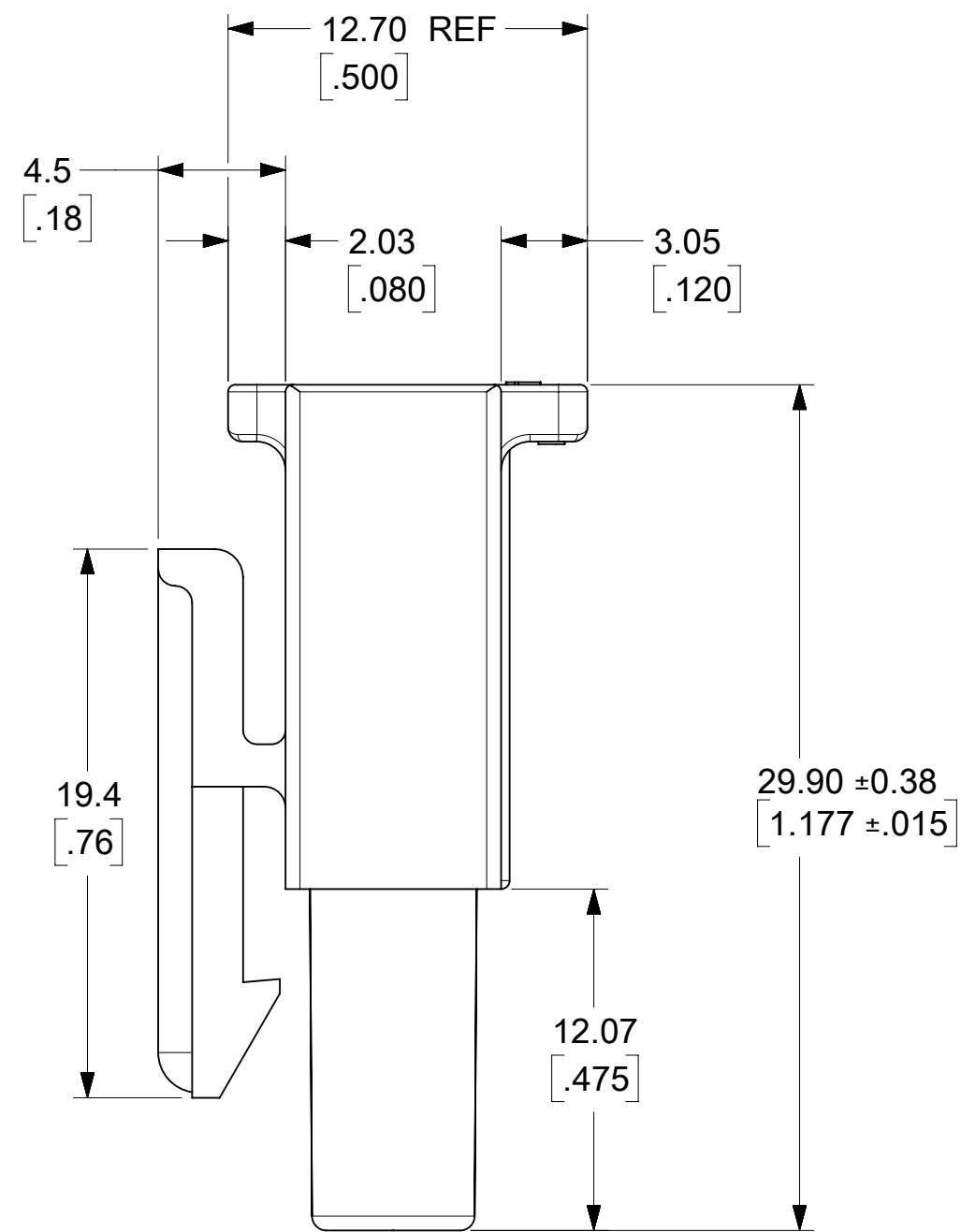
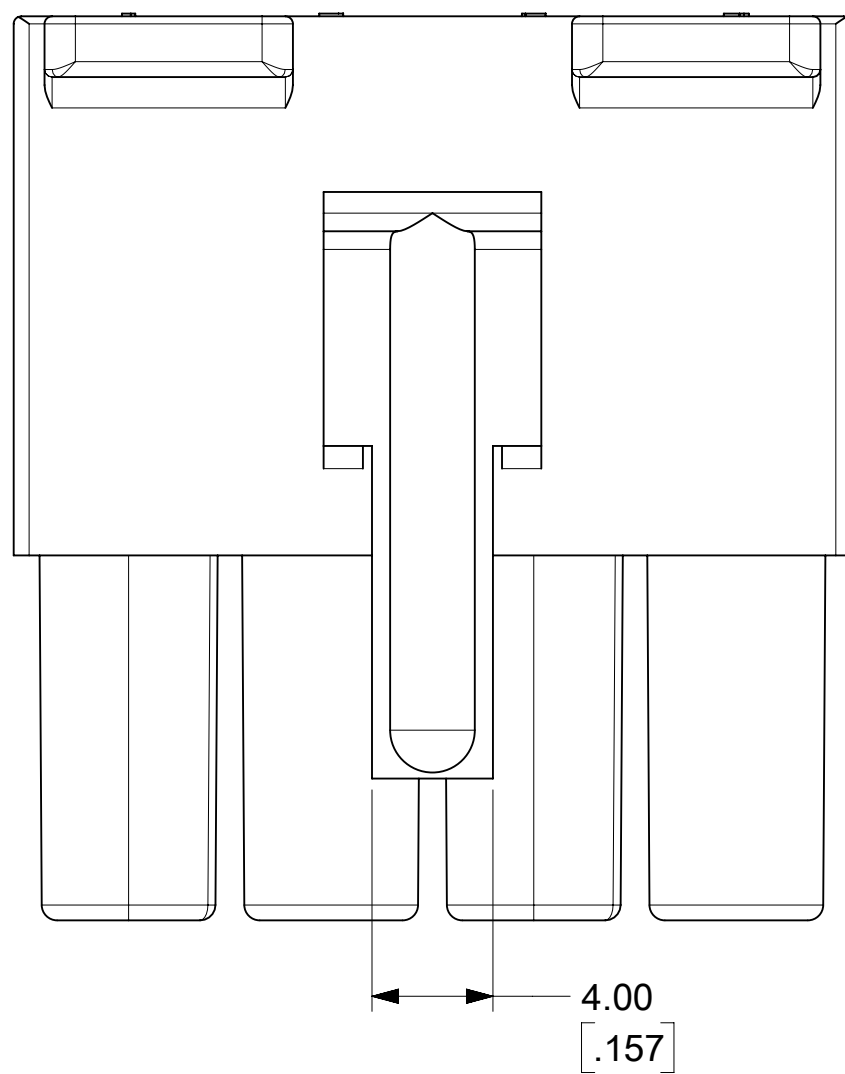
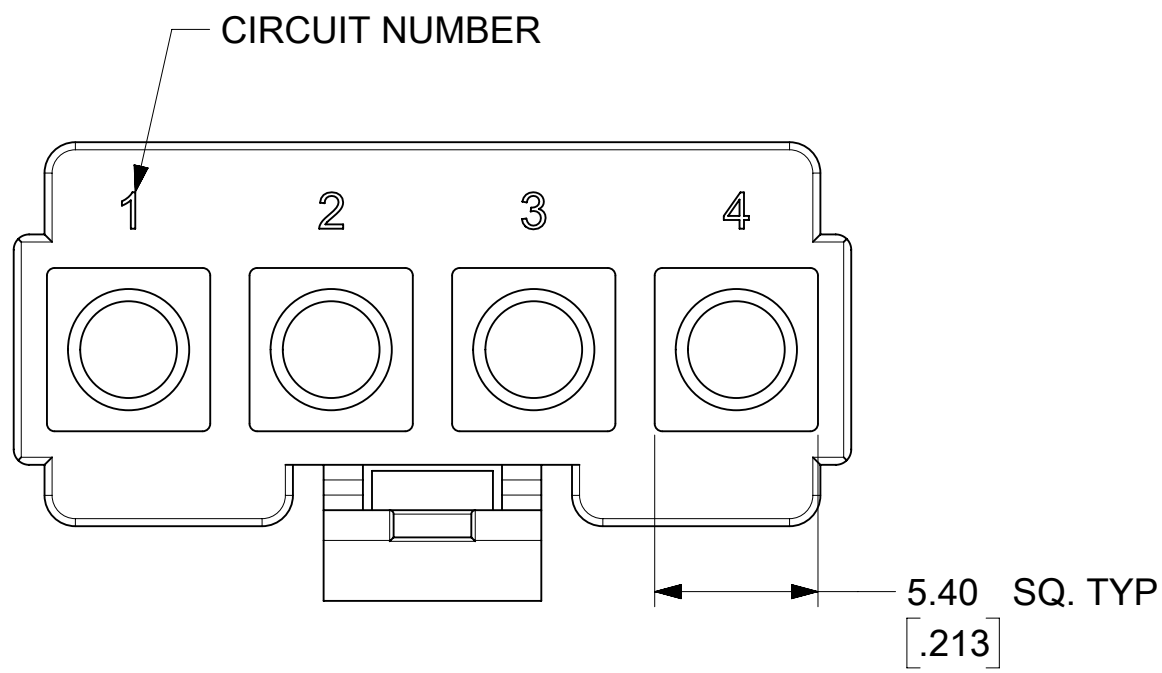


1 CIRCUIT

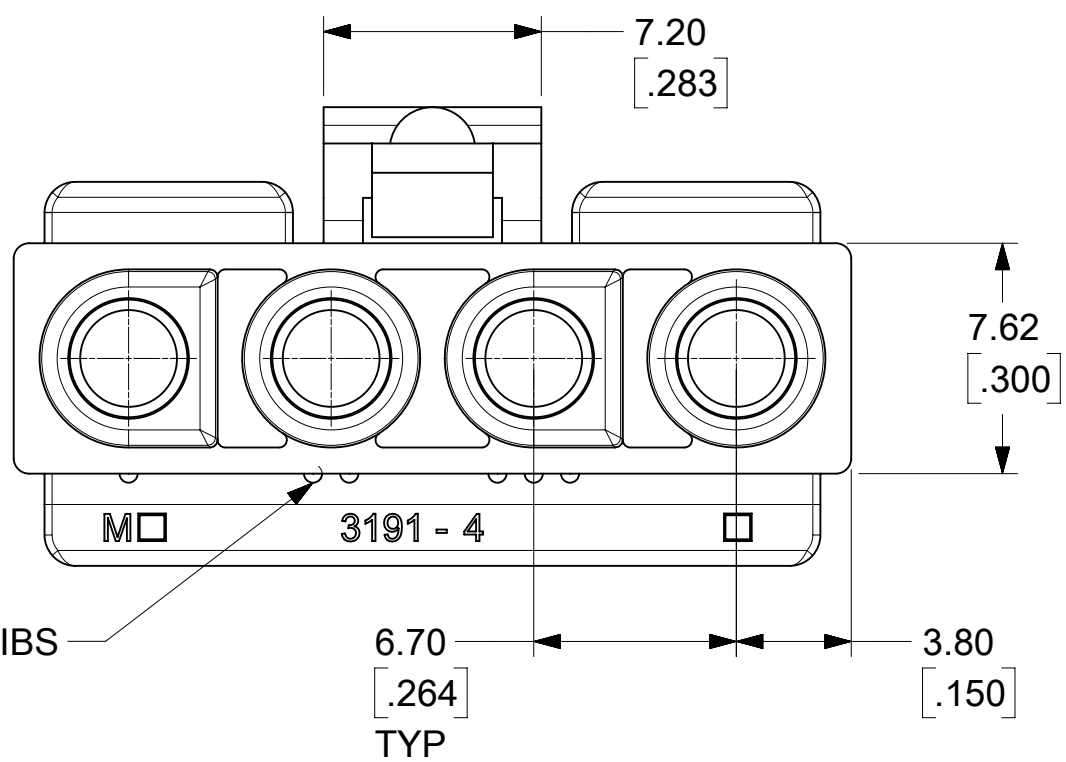
### PLUG POLARIZATION

FUNCTIONAL SYMBOLS	THIS DRAWING CONTAINS INFORMATION THAT IS PROPRIETARY TO MOLEX ELECTRONIC TECHNOLOGIES, LLC AND SHOULD NOT BE USED WITHOUT WRITTEN PERMISSION						
	DIMENSION UNITS	SCALE	CURRENT REV DESC: RELEASED				
$F_A = 0$	MM/INCH	2:1	<p><b>molex</b></p> <p>.093/(2.36) PLUG AND RECEPTACLE HOUSINGS SINGLE ROW 1-4 CIRCUITS</p> <p>PRODUCT CUSTOMER DRAWING</p> <p>DOCUMENT NUMBER: 31910000-SD   DOC TYPE: PSD   DOC PART: 000   REVISION: A</p>				
$F_C = 0$	GENERAL TOLERANCES (UNLESS SPECIFIED)						
$F_P = 0$							
DIVISIONAL SYMBOLS	MM	INCH					
	4 PLACES	±					±
	3 PLACES	±	± 0.01				
	2 PLACES	± 0.25	± 0.015				
	1 PLACE	± 0.38	±				
	0 PLACES	±	±				
	ANGULAR TOL	± °					
DRAFT WHERE APPLICABLE MUST REMAIN WITHIN DIMENSIONS		THIRD ANGLE PROJECTION	DRAWING	SERIES	MATERIAL NUMBER	CUSTOMER	SHEET NUMBER
			C-SIZE	3191	SEE CHARTS	GENERAL MARKET	2 OF 4

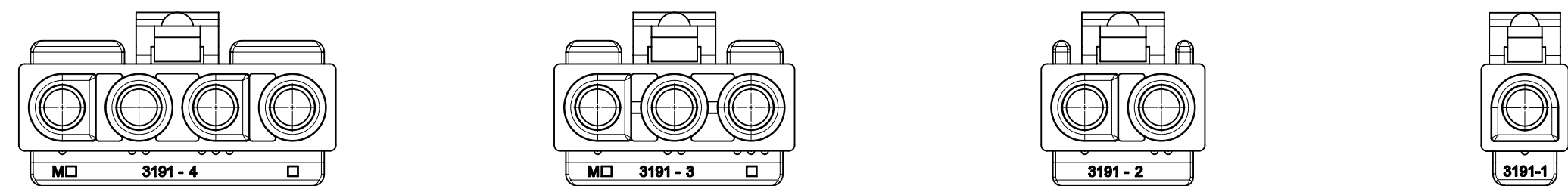
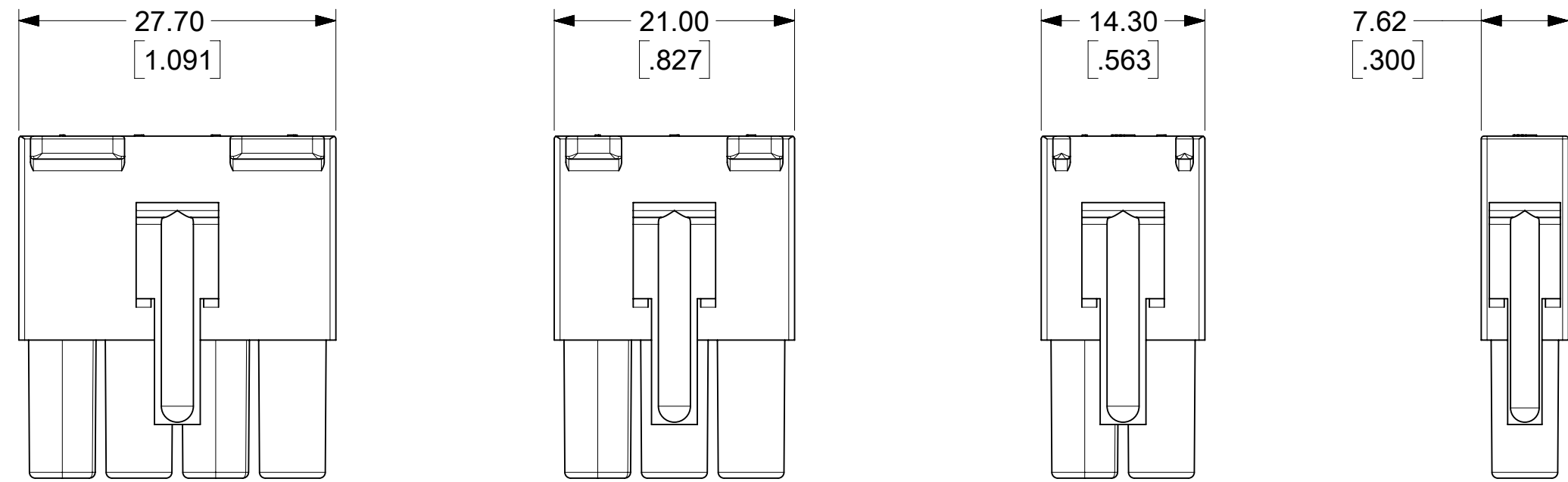
DOCUMENT STATUS	P1	RELEASE DATE	2022/10/14 17:29:15
-----------------	----	--------------	---------------------



**RECEPTACLE**



FUNCTIONAL SYMBOLS	THIS DRAWING CONTAINS INFORMATION THAT IS PROPRIETARY TO MOLEX ELECTRONIC TECHNOLOGIES, LLC AND SHOULD NOT BE USED WITHOUT WRITTEN PERMISSION				
	DIMENSION UNITS	SCALE		CURRENT REV DESC: RELEASED	
$\frac{F}{A} = 0$	MM/INCH	4:1		EC NO: 643927 DRWN: MKIPPER 2020/06/02 CHK'D: MKIPPER 2022/10/12 APPR: FSMITH 2022/10/14	
$\frac{F}{C} = 0$	GENERAL TOLERANCES (UNLESS SPECIFIED)				
DIVISIONAL SYMBOLS		MM	INCH	INITIAL REVISION: DRWN: MKIPPER 2020/06/02 APPR: FSMITH 2022/10/14	
	4 PLACES	±	±		
	3 PLACES	±	± 0.01		
	2 PLACES	± 0.25	± 0.015		
	1 PLACE	± 0.38	±	DOCUMENT NUMBER <b>31910000-SD</b> DOC TYPE PSD DOC PART 000 REVISION <b>A</b>	
	0 PLACES	±	±		
	ANGULAR TOL	±	°	MATERIAL NUMBER SEE CHARTS	
DRAFT WHERE APPLICABLE MUST REMAIN WITHIN DIMENSIONS		THIRD ANGLE PROJECTION	DRAWING C-SIZE	SERIES 3191	CUSTOMER GENERAL MARKET
				SHEET NUMBER 3 OF 4	

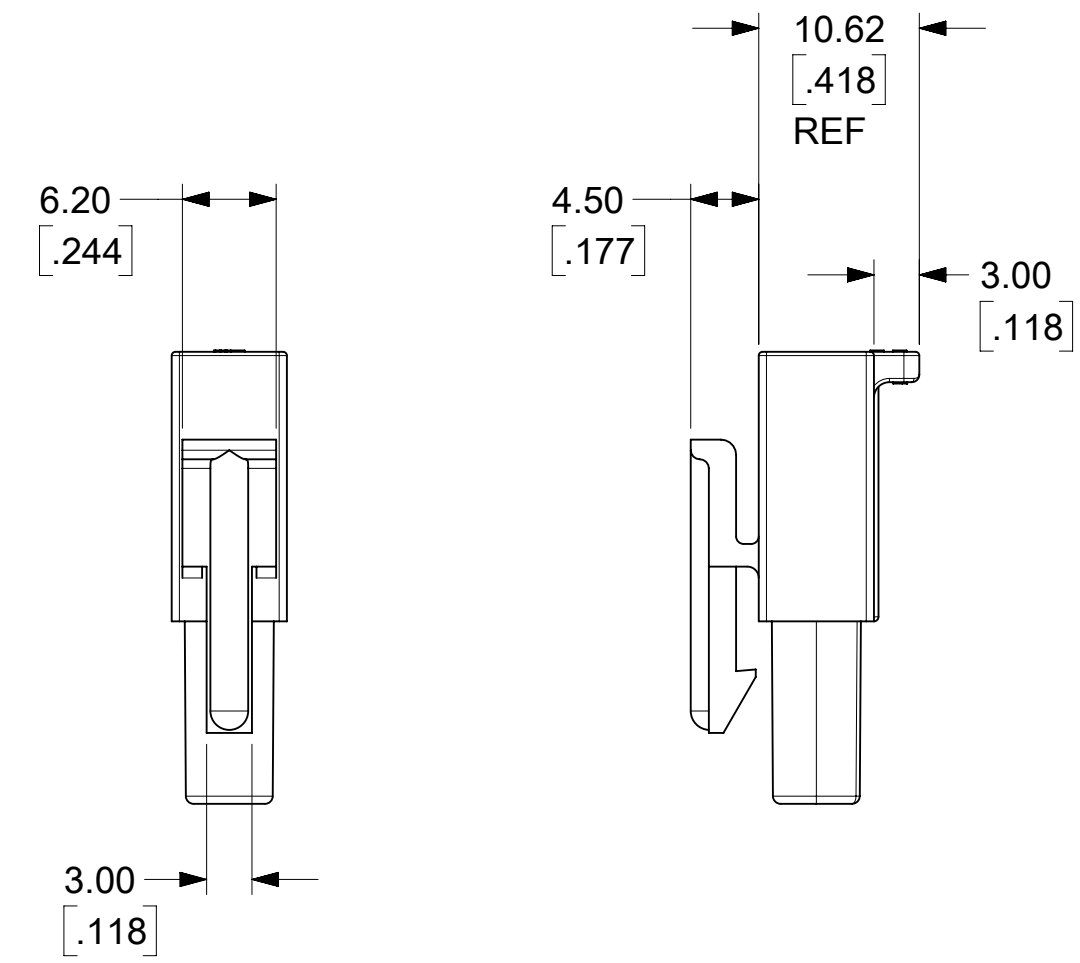


**RECEPTACLE POLARIZATION**

- NOTES:
1. MATERIAL: NYLON TYPE 6/6. SEE CHART FOR COLOR AND UL94 RATING.
  2. FINISH: NONE
  3. PRODUCT SPECIFICATION PS-02-09
  4. PACKAGING SPECIFICATION: SEE CHART
  5. PARTS CONFORM TO CLASS B REQUIREMENTS OF COSMETIC SPECIFICATION PS-45499-002.

THIS DRAWING REPLACES  
 SD-3191-1X AND SD-3191-1\*  
 SD-3191-2X AND SD-3191-2\*  
 SD-3191-3X AND SD-3191-3\*  
 SD-3191-4X AND SD-3191-4\*

CIRCUITS	PART NO.	ENG. NO.	MATERIAL	COLOR	PACKAGING	MOUNTING EARS
1	19-09-1019	3191-1R1	UL94V-2	NATURAL	31910002-PK	MOUNTING EARS NOT AVAILABLE ON RECEPTACLES
	19-09-1016	3191-1R1-201	UL94V-0	IVORY	31910002-PK	
	19-09-6011	3191-1R1BU	UL94V-2	BLUE	TBD	
2	19-09-1029	3191-2R1	UL94V-2	NATURAL	31910002-PK	
	19-09-1026	3191-2R1-201	UL94V-0	IVORY	31910002-PK	
3	19-09-1039	3191-3R1	UL94V-2	NATURAL	31910001-PK	
	19-09-1036	3191-3R1-201	UL94V-0	IVORY	31910002-PK	
	19-09-5039	3191-3R1-2	UL94V-0	WHITE	31910001-PK	
4	19-09-1049	3191-4R1	UL94V-2	NATURAL	31910001-PK	
	19-09-1046	3191-4R1-201	UL94V-0	IVORY	31910002-PK	



THESE DIMENSIONS APPLY TO 1 CIRCUIT RECEPTACLES ONLY

FUNCTIONAL SYMBOLS FA = 0 FC = 0 FP = 0 DIVISIONAL SYMBOLS	THIS DRAWING CONTAINS INFORMATION THAT IS PROPRIETARY TO MOLEX ELECTRONIC TECHNOLOGIES, LLC AND SHOULD NOT BE USED WITHOUT WRITTEN PERMISSION		CURRENT REV DESC: RELEASED	
	DIMENSION UNITS	SCALE	EC NO: 643927	
	MM/INCH	2:1	DRWN: MKIPPER	2020/06/02
	GENERAL TOLERANCES (UNLESS SPECIFIED)		CHK'D: MKIPPER	2022/10/12
4 PLACES ±		APPR: FSMITH	2022/10/14	
3 PLACES ± 0.01		INITIAL REVISION:		
2 PLACES ± 0.25 ± 0.015		DRWN: MKIPPER	2020/06/02	
1 PLACE ± 0.38 ±		APPR: FSMITH	2022/10/14	
0 PLACES ±		ANGULAR TOL ± °		
DRAFT WHERE APPLICABLE MUST REMAIN WITHIN DIMENSIONS		THIRD ANGLE PROJECTION	DRAWING	SERIES
			C-SIZE	3191
DOCUMENT STATUS		DOCUMENT NUMBER	DOC TYPE	DOC PART
P1	31910000-SD	PSD	000	A
RELEASE DATE	CUSTOMER	SHEET NUMBER		
2022/10/14 17:29:15	GENERAL MARKET	4 OF 4		