



产品编号 : 194280016

系列号 : 19428

Product Category : PCB Headers and Receptacles

Product Description : 5.84mm Pitch MX150L Vertical PCB Header, Dual Row, Low Profile, Tin Plated, 16 Circuits

状态 : Active

文件和资源

图纸

图纸 194280016_sd.pdf

包装设计图 PK-19428-002-001.pdf

3D 模型和设计文件

3D模型 194280016_stp.zip


规格

应用规格 AS-19417-001-001.pdf

产品规格 PS-19427-001-001.pdf

产物环境合规

合规

GADSL/IMDS	Not Relevant
China RoHS	
EU ELV	Not Relevant
Low-Halogen Status	Low-Halogen per IEC 61249-2-21
REACH SVHC	Not Contained per D(2023)8585-DC (23 Jan 2024)
EU RoHS	Compliant per EU 2015/863

多部分产品合规性声明

- Eu RoHS
- REACH SVHC
- Low-Halogen

- IPC 1752A Class C
- IPC 1752A Class D
- Molex Product Compliance Declaration
- IEC-62474

产品详情

常规

状态	活动
类别	PCB Headers and Receptacles
系列	19428
说明	5.84mm Pitch MX150L Vertical PCB Header, Dual Row, Low Profile, Tin Plated, 16 Circuits
应用	Power, Wire-to-Board
个评论	IP67 rated; Conforms to UL 1977; NOT suitable for automotive applications with requirements such as USCAR-2, USCAR-25, GMW3191, AK Testing, J2030, Volvo Technology Requirements, and Toyota Connector Spec (TCS)
元件类型	PCB Header
产品系列	MX150L Industrial Sealed Connector System
产品名称	MX150L
UPC	822348742882

机构

UL	E152602
----	---------

电气

每触点最大电流	18.0A
电压 - 最大	600V

物理

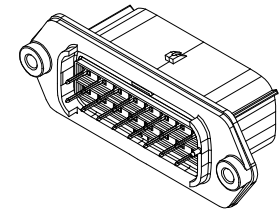
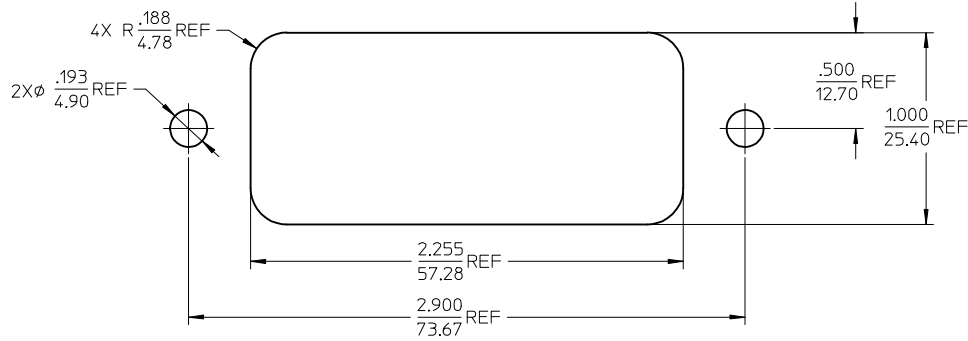
断开	否
回路数 (已载入)	16
电路数 (最多)	16
耐用性(插拔次数) - 最多次数	25
阻燃性	94V-0

符合灼热丝规范	否
锁定插接部位	是
材料 - 接合部位电镀	Tin
材料 - 终端电镀	Tin
净重	25.730/g
行数	2
方向	垂直
包装形式	Tray
PC 焊脚长度	3.30mm
PCB 定位器	是
PCB 保持力	是
推荐的 PCB 厚度	1.60mm
间距 - 插配接口	5.84mm
有极性的插配件	是
PCB 极性	是
有护墙的	Fully
可堆叠的	否
运行温度范围	-40° to +125° C
终端界面类型	Through Hole

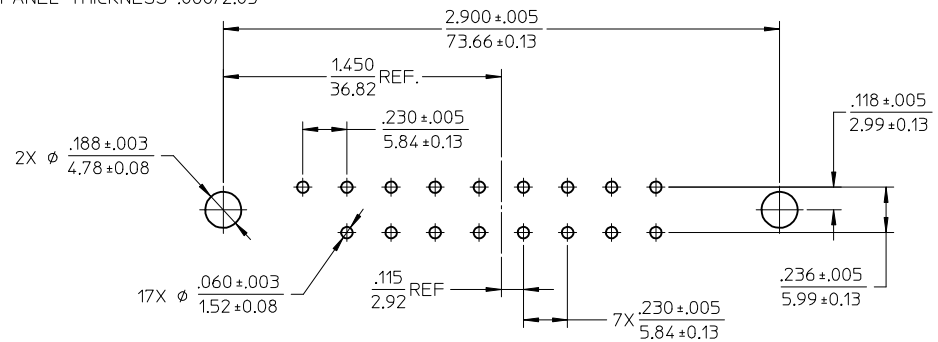
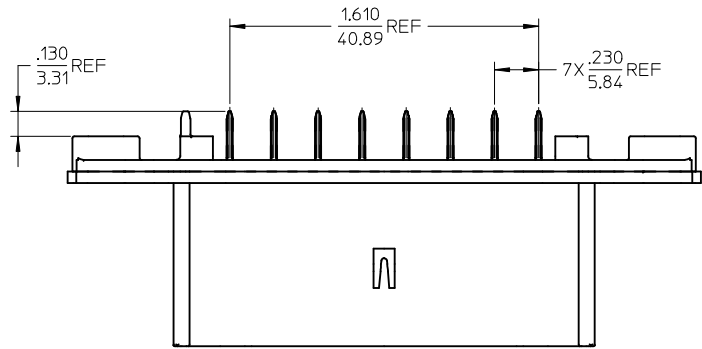
可配插/可连接使用的产品

可配插部件

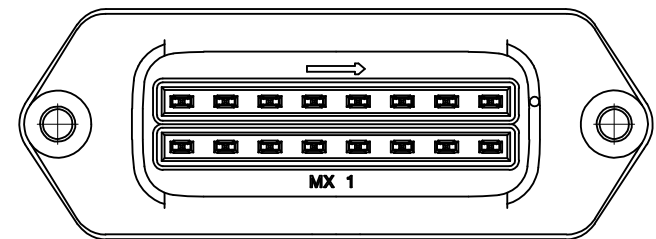
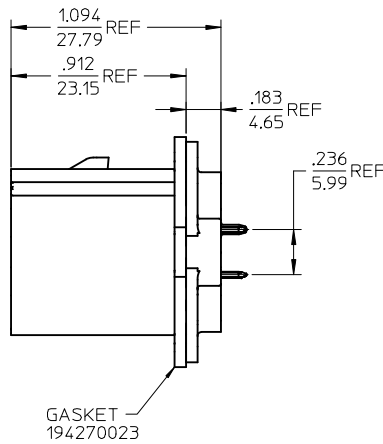
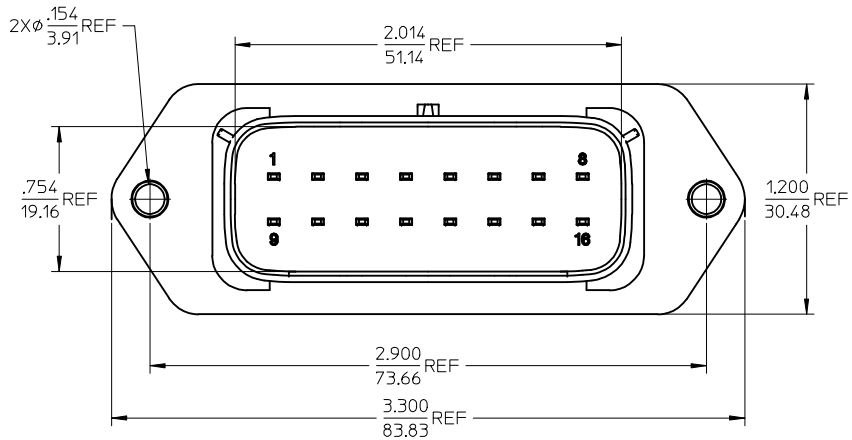
描述	产品编号
MX150L Receptacle Housings	<u>19418</u>



RECOMMENDED PANEL CUTOUT
MAX PANEL THICKNESS .080/2.03



RECOMMENDED PCB LAYOUT
COMPONENT VIEW
TOLERANCES ARE NON-ACCUMULATIVE



MATERIAL NUMBER	TERMINAL PLATING
194280016	TIN
194280032	SELECT GOLD/TIN

NOTES:

- MATERIALS:
HOUSING: POLYESTER (PBT), GLASS FILLED, UL94 V-0,
COLOR: BLACK
TERMINALS: COPPER ALLOY
- FINISHES: 1. TIN ONLY: 100µM TIN OVER 50µM NICKEL
2. TIN/GOLD: 30µM SELECT GOLD (CONTACT MATING AREA),
100µM SELECT TIN (PCB TAIL AREA) OVER 50µM NICKEL OVERALL.
- PRODUCT SPECIFICATION: PS-19428-001.
- PACKAGING SPECIFICATION: PK-19428-002.
- MATES WITH: 19418 SERIES RECEPTACLE ASSEMBLIES.

PRODUCTION RELEASE IEC NO: ETC2005-0213 DRWN: JPAWLICK 2005/06/10 CHKD: JPAWLICK 2005/06/14 APPR: RDEROSS 2005/06/14	QUALITY SYMBOLS ▽=0 ▽=0	GENERAL TOLERANCES (UNLESS SPECIFIED)		DIMENSION STYLE IN/MM		SCALE 2:1	DESIGN UNITS INCH	THIRD ANGLE PROJECTION		
		mm INCH		DRAWN BY BRUPERT	DATE 04/06/16	TITLE 16-WAY STRAIGHT HEADER ASSEMBLY, SHORT VERSION		MOLEX INCORPORATED		
		4 PLACES ± --- ± ---		CHECKED BY JPAWLICK	DATE 04/06/16					
		3 PLACES ± --- ± .015		APPROVED BY RDEROSS		DATE 04/06/16				
2 PLACES ± 0.38 ± ---		MATERIAL NO. SEE CHART		DOCUMENT NO. SD-19428-008	SHEET NO. 1 OF 1		THIS DRAWING CONTAINS INFORMATION THAT IS PROPRIETARY TO MOLEX INCORPORATED AND SHOULD NOT BE USED WITHOUT WRITTEN PERMISSION			
1 PLACE ± --- ± ---		DRAFT WHERE APPLICABLE MUST REMAIN WITHIN DIMENSIONS		SIZE C						