



产品编号 : [194290030](#)

Product Description : MX150L 10 Circuit Panel Mount Plug for 14-22 AWG Wire, Through Hole Flange Assembly, without Gasket, Black

系列号 : 19429

状态 : Active

Product Category : Connector Housings



文件和资源

图纸

[图纸 194290030_sd.pdf](#)

[包装设计图 PK-19429-001-001.pdf](#)

3D 模型和设计文件

[3D模型 194290030_stp.zip](#)

规格

[产品规格 PS-19417-001-001.pdf](#)

产物环境合规

合规

GADSL/IMDS	Not Relevant
China RoHS	
EU ELV	Not Relevant
Low-Halogen Status	Low-Halogen per IEC 61249-2-21
REACH SVHC	Not Contained per D(2023)3788-DC (14 Jun 2023)
EU RoHS	Compliant per EU 2015/863

多部分产品合规性声明

- Eu RoHS
- REACH SVHC
- Low-Halogen

多部分行业合规性文件

- IPC 1752A Class C
- IPC 1752A Class D

- Molex Product Compliance Declaration

- IEC-62474

- chemSHERPA (xml)

欧盟 RoHS 合格证书

产品详情

常规

状态	活动
类别	Connector Housings
系列	19429
说明	MX150L 10 Circuit Panel Mount Plug for 14-22 AWG Wire, Through Hole Flange Assembly, without Gasket, Black
应用	Power, Wire-to-Wire
个评论	For Outside or Inside Panel Mount Application; IP67 rated; Conforms to UL 1977; NOT suitable for automotive applications with requirements such as USCAR-2, USCAR-25, GMW3191, AK Testing, J2030, Volvo Technology Requirements, and Toyota Connector Spec (TCS)
产品系列	MX150L Industrial Sealed Connector System
产品名称	MX150L
UPC	822348544431

电气

每触点最大电流	18.0A
---------	-------

物理

电路数 (最多)	10
颜色-树脂	黑色
性别	Plug
符合灼热丝规范	否
锁定插接部位	是
净重	18.000/g
行数	2

包装形式	Bag
面板安装式	是
间距 - 插配接口	5.84mm
有极性的插配件	是
可堆叠的	否
运行温度范围	-40° to +125° C

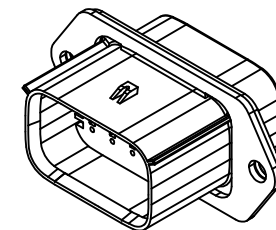
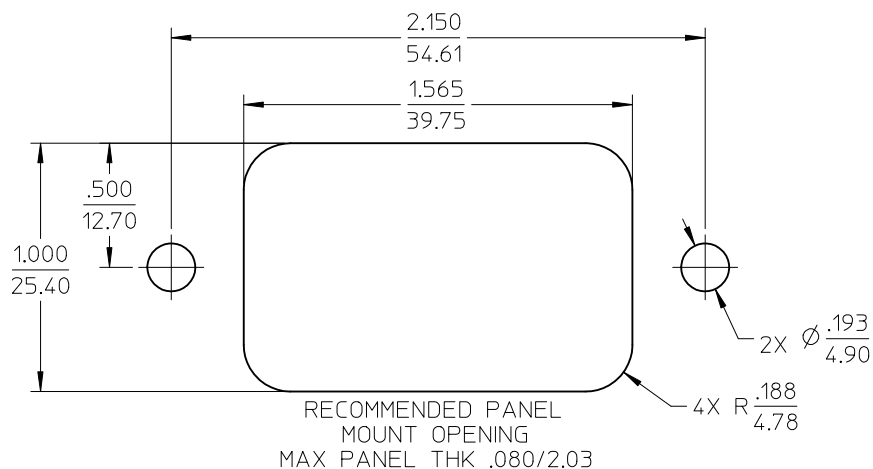
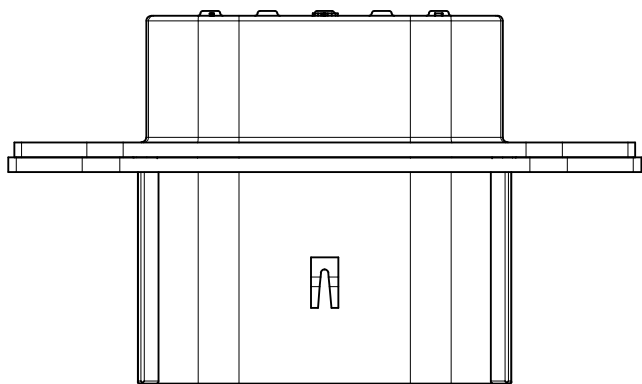
可配插/可连接使用的产品

可配插部件

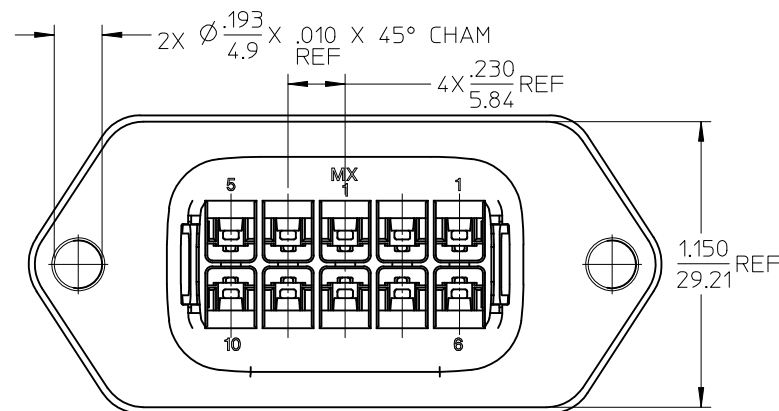
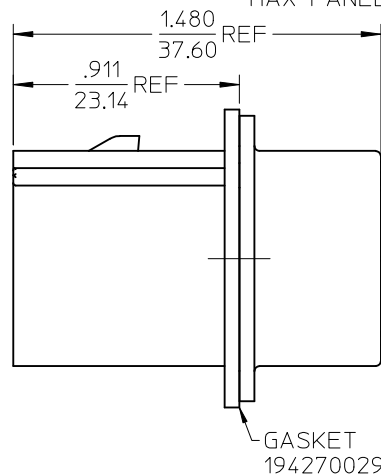
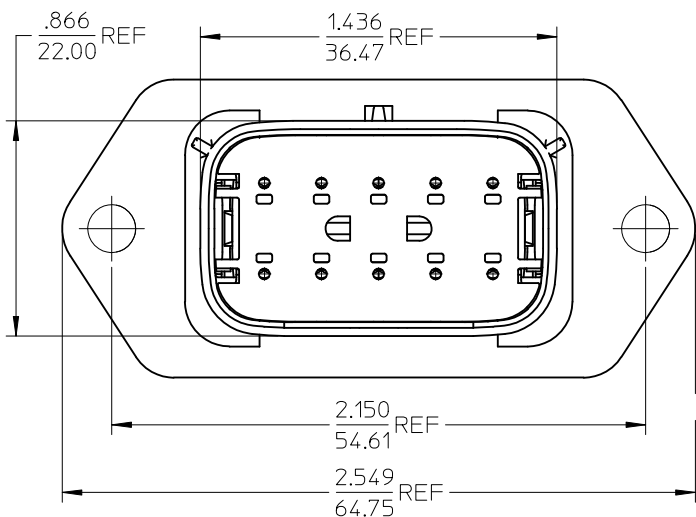
描述	产品编号
MX150L Receptacle Housings	<u>19418</u>

可连接使用部件

描述	产品编号
MX150L Gasket for 10 Circuit Plug Housing with Flange	<u>/content/molex/molex-dot-com/cn/zh/products/product-page.html/194270029.html</u>
MX150L Male Terminals and Circuit Voiding Keys	<u>19417</u>



ASSEMBLED VIEW
SCALE 1:1



(B)

- NOTES:
 1. MATERIALS:
 HOUSING: POLYESTER (PBT), GLASS FILLED, UL94 V-0.COLOR: BLACK
 GASKET: EPDM RUBBER
 2. PRODUCT SPECIFICATION: PS-19417-001.
 3. PACKAGING SPECIFICATION: PK-19429-001.
 GASKETS, IF REQUIRED FOR THE ASSEMBLIES, ARE BULK PACKAGED IN A SEPARATE BAG.
 4. MATES WITH: 19418 SERIES RECEPTACLE ASSEMBLIES.
 5. USE CONNECTOR WITH MALE CRIMP TERMINAL: SERIES 19417.
 6. RECOMMENDED MOUNTING HARDWARE: (2) #10 X .62/15.8 LONG
 PLASTIC THREAD CUTTING SCREWS, RECOMMENDED TORQUE 15-17 IN-LBS.
 SUGGESTED SOURCE: ITW SHAKEPROOF INDUSTRIAL BOSSCREW OR EQUIVALENT.
 7. ASSEMBLY IS ROHS COMPLIANT.

REVISE NOTES EC NO: IPG2012-0161 DRWN: WLEUNG 2012/02/10 CHKD: CHKD: APPR: DITITUS 2012/02/28	QUALITY SYMBOLS	GENERAL TOLERANCES (UNLESS SPECIFIED)	SCALE 2:1	DESIGN UNITS INCH
	-0 C/-0	mm INCH	DIMENSION STYLE	
		4 PLACES ± --- ± --- 3 PLACES ± --- ± .015 2 PLACES ± 0.38 ± --- 1 PLACE ± --- ± ---	IN/MM	
		ANGULAR ± 1°	DRAWN BY DMYRICK	DATE 04/07/20
	DRAFT WHERE APPLICABLE	CHECKED BY JPAWLICK	DATE 04/07/20	
	MUST REMAIN WITHIN DIMENSIONS	APPROVED BY RDEROSS	DATE 04/07/20	

194290046	YES
194290030	NO
MATERIAL NUMBER	GASKET
THIRD ANGLE PROJECTION	REVISE ON CAD ONLY
TITLE 10 WAY PLUG PANEL MOUNT ASSEMBLY W/O BOSS 22-14 AWG	
MOLEX INCORPORATED	
MATERIAL NO.	DOCUMENT NO.
SEE CHART SD-19429-014	SHEET NO. 1 OF 1
THIS DRAWING CONTAINS INFORMATION THAT IS PROPRIETARY TO MOLEX INCORPORATED AND SHOULD NOT BE USED WITHOUT WRITTEN PERMISSION	