



产品编号 : 194330002

系列号 : 19433

Product Category : Connector Housings

Product Description : MX150L 4 Circuit Plug for 8 AWG Wire

状态 : Active

文件和资源

图纸

图纸 194330002_sd.pdf

包装设计图 PK-19433-001-001.pdf

3D 模型和设计文件

3D模型 194330002_stp.zip


规格

应用规格 AS-19417-001-001.pdf

产品规格 PS-19432-001-001.pdf

产物环境合规

合规

GADSL/IMDS	Not Relevant
China RoHS	
EU ELV	Not Relevant
Low-Halogen Status	Not Low-Halogen per IEC 61249-2-21
REACH SVHC	Not Contained per D(2023)8585-DC (23 Jan 2024)
EU RoHS	Compliant per EU 2015/863

多部分产品合规性声明

- Eu RoHS
- REACH SVHC
- Low-Halogen

- IPC 1752A Class C
- IPC 1752A Class D
- Molex Product Compliance Declaration
- IEC-62474

产品详情

常规

状态	活动
类别	Connector Housings
系列	19433
说明	MX150L 4 Circuit Plug for 8 AWG Wire
应用	Power, Wire-to-Wire
个评论	Mat Seal Color is Red, Polarized to Mating Part; IP67 rated; Conforms to UL 1977; NOT suitable for automotive applications with requirements such as USCAR-2, USCAR-25, GMW3191, AK Testing, J2030, Volvo Technology Requirements, and Toyota Connector Spec (TCS)
产品系列	MX150L Industrial Sealed Connector System
产品名称	MX150L
UPC	822350191586

机构

CSA	LR18689
UL	E152602

物理

电路详图	2x2
电路数 (最多)	4
阻燃性	94V-0
性别	Plug
符合灼热丝规范	否
插接极性	不适用
锁定插接部位	是
净重	18.927/g
行数	2

包装形式	Bag
面板安装式	否
间距 - 插配接口	5.84mm
有极性的插配件	是
可堆叠的	否
运行温度范围	-40° to +125° C

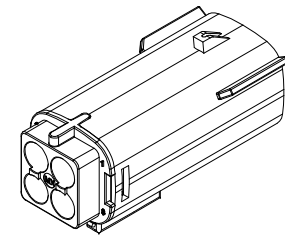
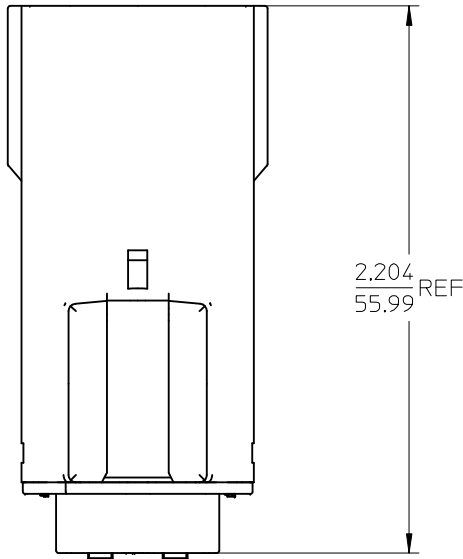
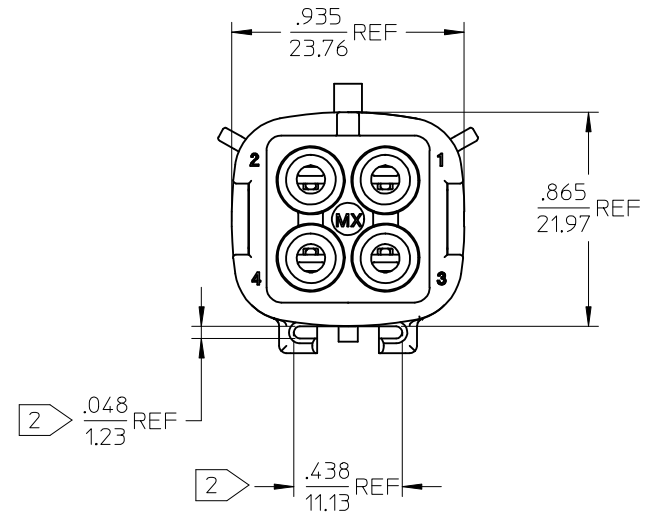
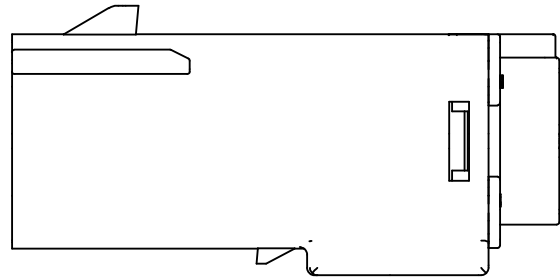
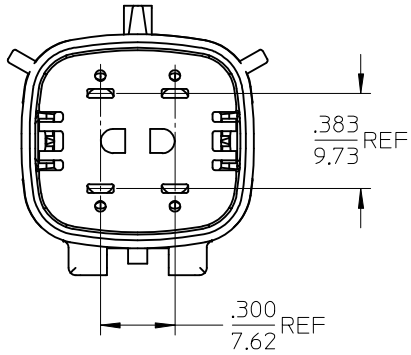
可配插/可连接使用的产品

可配插部件

描述	产品编号
MX150L 4 Circuit Female Receptacle for 8 AWG Wire, Black	<u>194320002</u>

可连接使用部件

描述	产品编号
MX150L Circuit Plugs and Male Terminals	<u>19431</u>



- NOTES:
- ASSEMBLY PACKAGED PER PK-19433-001.
 - MOUNTING SLOT DIMENSION.
 - USE CONNECTOR WITH MALE CRIMP TERMINAL: SERIES 19431.

RE-LINK 3D MODEL
 EC NO: IPG2016-1257
 DRAWN: WLEUNG 2016/03/16
 CHKD: HZ/EL/INSKI 2016/03/15
 APPR: BWOODMAN 2016/03/22

REV	DESCRIPTION
1	QUALITY SYMBOLS
2	QUALITY SYMBOLS

GENERAL TOLERANCES (UNLESS SPECIFIED)	
mm	INCH
4 PLACES ± .015	± .0005
3 PLACES ± .030	± .0012
2 PLACES ± 0.38	± .015
1 PLACE ± .076	± .0030
0 PLACE ± .152	± .0060

ANGULAR ± 1 °
 DRAFT WHERE APPLICABLE
 MUST REMAIN WITHIN DIMENSIONS

DIMENSION STYLE	
IN/MM	DATE
B. RUPERT	04/09/29
JPAWLICK	04/09/29
R. DEROSS	04/09/29

194330001	10-12
194330002	8
MATERIAL NUMBER	UL WIRE AWG
SCALE 2:1	DESIGN UNITS INCH
THIRD ANGLE PROJECTION	
TITLE 4 WAY PLUG ASSEMBLY MX150L	
molex	
MATERIAL NO.	DOCUMENT NO.
SEE TABLE	SD-19433-002
SIZE B	THIS DRAWING CONTAINS INFORMATION THAT IS PROPRIETARY TO MOLEX INCORPORATED AND SHOULD NOT BE USED WITHOUT WRITTEN PERMISSION
SHEET NO. 1 OF 1	