

产品编号 : 197054201

Product Description : PCB Tab Quick Disconnect, Male, for Wire, Box, Tab 6.35 x 0.81mm

系列号 : 19705

状态 : Active

Product Category : Quick Disconnects

文件和资源

图纸

图纸 197054201_sd.pdf

包装设计图 PK-19511-600-001.pdf

3D 模型和设计文件

3D模型 197054201_stp.zip

规格


产品规格 PS-19902-010-001.pdf

产品规格 PS-19902-011-001.pdf

产品规格 PS-19902-013-001.pdf

产物环境合规

合规

GADSL/IMDS	Compliant with Exemption 44
China RoHS	
EU ELV	Not Relevant
Low-Halogen Status	Low-Halogen per IEC 61249-2-21
REACH SVHC	Not Contained per D(2023)8585-DC (23 Jan 2024)
EU RoHS	Compliant per EU 2015/863

多部分产品合规性声明

- Eu RoHS
- REACH SVHC
- Low-Halogen

- IPC 1752A Class C
- IPC 1752A Class D
- Molex Product Compliance Declaration

- IEC-62474

- chemSHERPA (xml)

欧盟 RoHS 合格证书

产品详情

常规

状态	活动
类别	Quick Disconnects
系列	19705
说明	PCB Tab Quick Disconnect, Male, for Wire, Box, Tab 6.35 x 0.81mm
个评论	Tab Support
产品系列	PCB Tabs
产品名称	PCB Tab
类型	Quick Disconnect
UPC	800754883498

机构

UL	E79133
----	--------

电气

电压 - 最大	不适用
---------	-----

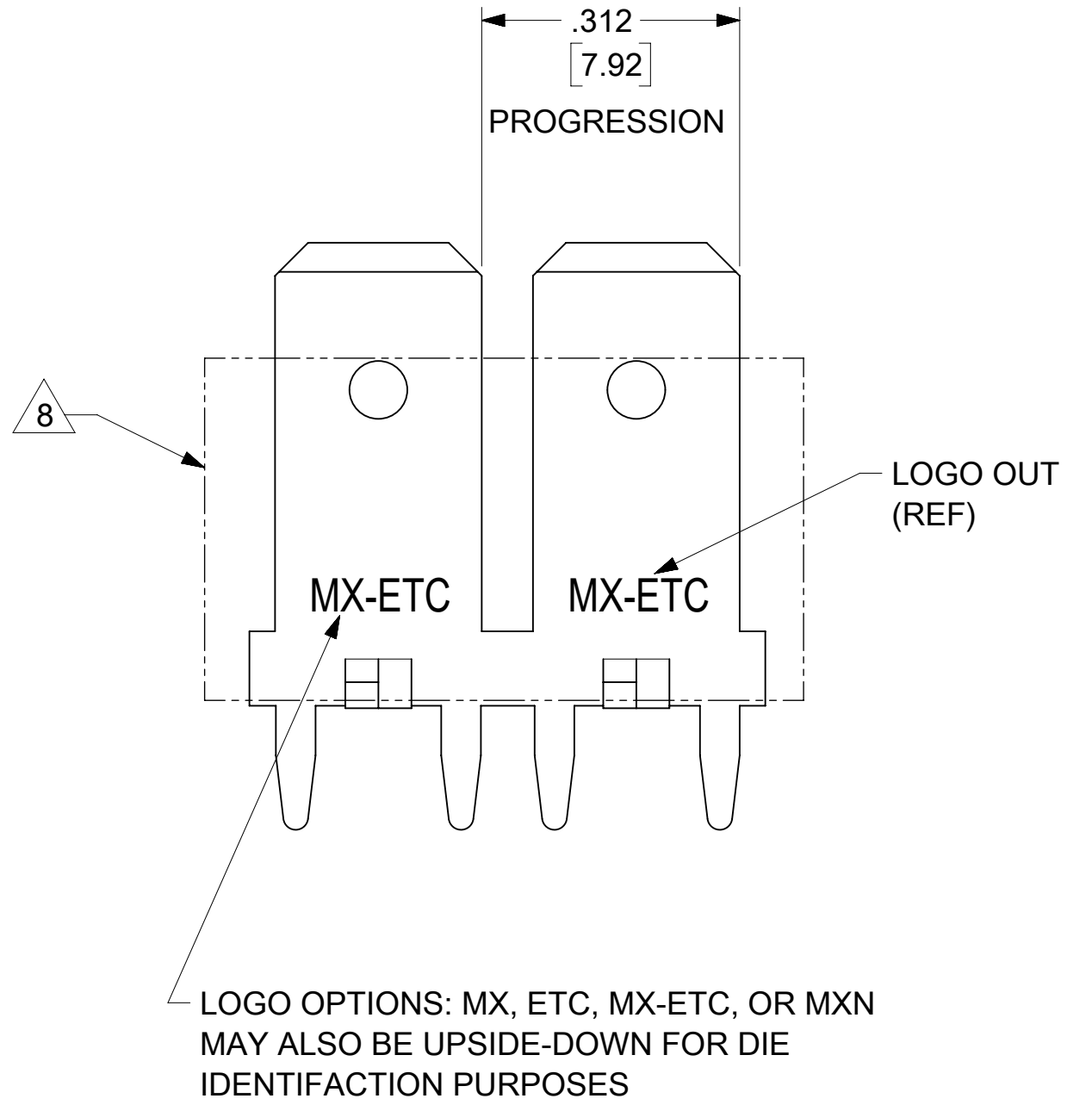
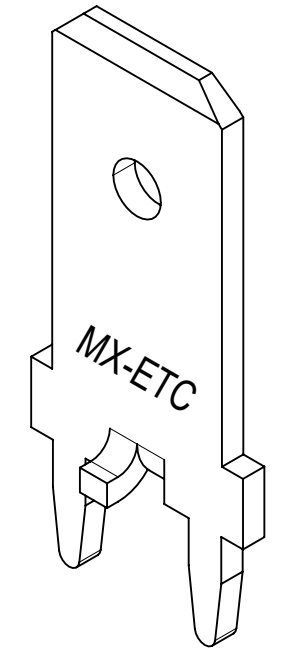
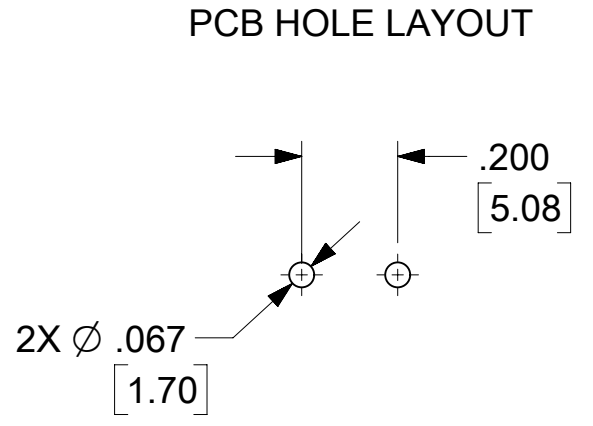
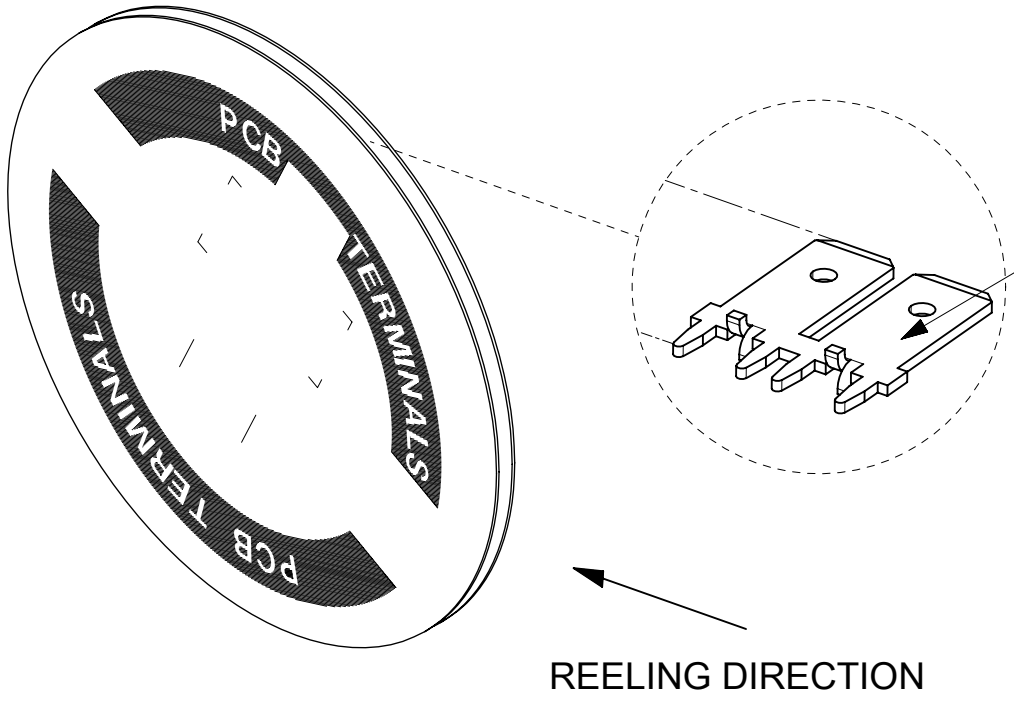
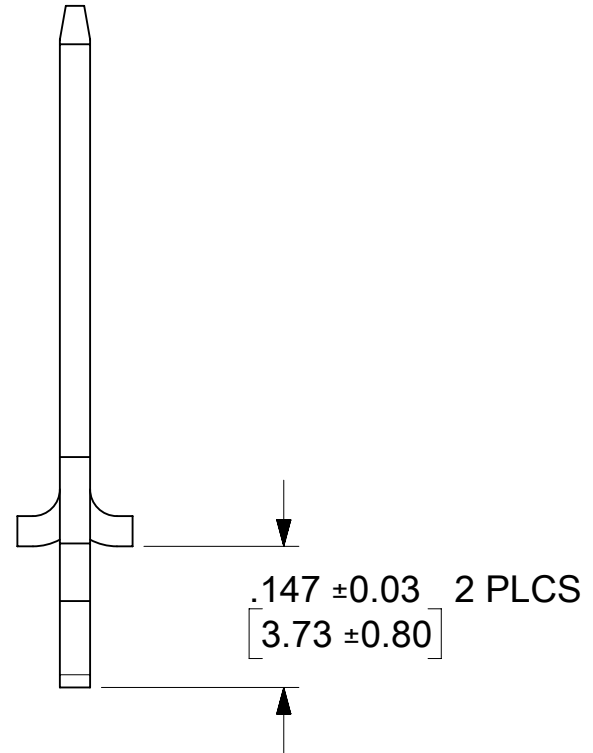
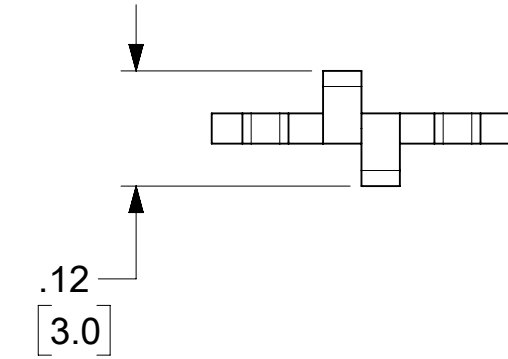
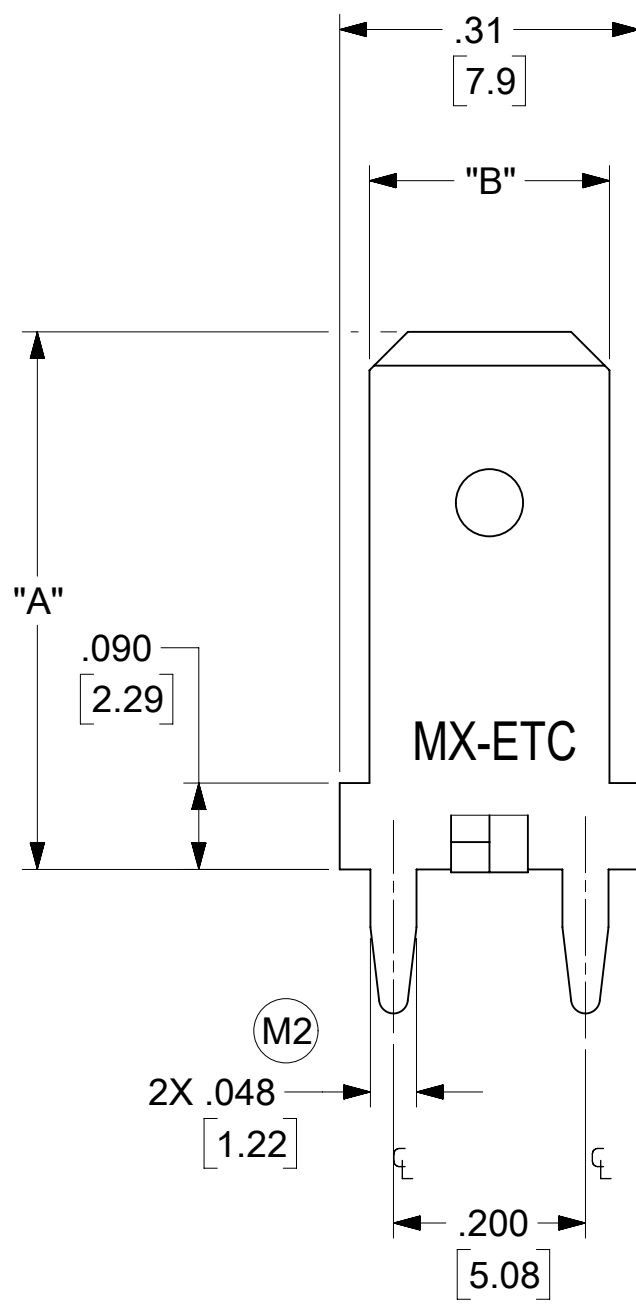
物理

筒型	不适用
性别	男
符合灼热丝规范	否
绝缘	否
绝缘	无
锁定插接部位	无
材料 - 金属	Brass
材料 - 接合部位电镀	Tin
材料 - 终端电镀	Tin
净重	0.500/g
方向	PCB Straight Tab

包装形式	Bag
最薄镀层 - 接合部位	3.810 μ m
最薄镀层 - 端接	2.540 μ m
有极性的插配件	否
调整片厚度	0.81mm
调整片宽	6.35mm
导线绝缘直径	不适用
线径规格 (AWG)	不适用

This document was generated on Jun 30, 2024

MATERIAL NUMBER	ENGINEERING NUMBER	CARRIER	DIMENSION "A"	DIMENSION "B"
197054003	19705-4003	STRIP	.560/14.22	.250/6.35
197054103	19705-4103	STRIP	.560/14.22	.187/4.75
197054203	19705-4203	STRIP	.405/10.29	.250/6.35
197054001	19705-4001	LOOSE	.560/14.22	.250/6.35
197054101	19705-4101	LOOSE	.560/14.22	.187/4.75
197054201	19705-4201	LOOSE	.405/10.29	.250/6.35



LOGO OPTIONS: MX, ETC, MX-ETC, OR MXN
MAY ALSO BE UPSIDE-DOWN FOR DIE IDENTIFICATION PURPOSES

LOGO ORIENTATION IN AS-SHOWN

- NOTES:
1. BARE EDGES PERMISSIBLE AT CARRIER CUT OFF.
 2. MATERIAL: BRASS C26000 (.032/0.81) THICK.
 3. TAB CONFORMS TO NEMA SPECIFICATIONS.
 4. ALL DIMENSIONS AND NOTES REFERENCE UNLESS OTHERWISE NOTED.
 5. PLATING: MATTE TIN OVER NICKEL 150µ IN/3.81 µ mm MINIMUM THICKNESS OVER NICKEL 50µ IN/1.25µ mm MINIMUM THICKNESS.
 6. REF: 5,000 MIN PARTS PER REEL, 24" DIAMETER REEL WITH 1.25" DIAMETER CENTER HOLE.
 7. PART IS RoHS COMPLIANT
 8. REDUCED PLATING THICKNESS PERMISSIBLE IN THIS AREA.

THIS DRAWING CONTAINS INFORMATION THAT IS PROPRIETARY TO MOLEX ELECTRONIC TECHNOLOGIES, LLC AND SHOULD NOT BE USED WITHOUT WRITTEN PERMISSION									
DIMENSION UNITS		SCALE		CURRENT REV DESC: REMOVED TOL +/- .003					
INCH/MM		5:1		<p style="text-align: center;">molex</p> <p style="text-align: center;">QUICK DISCONNECT PCB MOUNTABLE .250 & .187 X .032 TAB</p> <p style="text-align: center;">PRODUCT CUSTOMER DRAWING</p>					
GENERAL TOLERANCES (UNLESS SPECIFIED)									
		MM	INCH						
4 PLACES	±								
3 PLACES	±	± 0.005							
2 PLACES	±	± 0.13	± 0.01						
1 PLACE	±	± 0.25	±	EC NO: 767733		2023/11/01			
0 PLACES	±	±		DRWN: DEANM1		2023/11/02			
ANGULAR TOL		± 0.5 °		CHK'D: ETHRODAHL		2023/11/02			
DRAFT WHERE APPLICABLE MUST REMAIN WITHIN DIMENSIONS		THIRD ANGLE PROJECTION		APPR: ETHRODAHL		2023/11/02			
				INITIAL REVISION:					
				DRWN: EDB		11/08/96			
				APPR: RWD		11/08/96			
				DRAWING		SERIES			
				C-SIZE		19705			
DOCUMENT STATUS		P1		RELEASE DATE		2023/11/02 14:13:59			
DOCUMENT NUMBER		P1		CUSTOMER		GENERAL MARKET			
DOC TYPE		PSD		DOC PART		001			
REVISION		M2		SHEET NUMBER		1 OF 1			