

产品编号 : [2014441210](#)

Product Description : Nano-Fit Plug Housing, TPA Capable, 2.50mm Pitch, Dual Row, 10 Circuits, Black, Panel Mount, Glow-Wire Capable

系列号 : 201444

状态 : Active

Product Category : Connector Housings



文件和资源

图纸

[图纸 2014441210_sd.pdf](#)

[包装设计图 2014441000-PK-000.pdf](#)

3D 模型和设计文件

[3D模型 2014441210_stp.zip](#)


规格

[产品规格 2014471000-PS-000.pdf](#)

[测试摘要 2014471000-TS-000.pdf](#)

产物环境合规

合规

GADSL/IMDS	Not Relevant
China RoHS	
EU ELV	Not Relevant
Low-Halogen Status	Not Low-Halogen per IEC 61249-2-21
REACH SVHC	Not Contained per D(2023)3788-DC (14 Jun 2023)
EU RoHS	Compliant per EU 2015/863

多部分产品合规性声明

- Eu RoHS
- REACH SVHC
- Low-Halogen

多部分行业合规性文件

- IPC 1752A Class C
- IPC 1752A Class D
- Molex Product Compliance Declaration
- IEC-62474
- chemSHERPA (xml)

欧盟 RoHS 合格证书

产品详情

常规

状态	活动
类别	Connector Housings
系列	201444
说明	Nano-Fit Plug Housing, TPA Capable, 2.50mm Pitch, Dual Row, 10 Circuits, Black, Panel Mount, Glow-Wire Capable
应用	Power, Wire-to-Wire
产品系列	Nano-Fit Power Connectors
产品名称	Nano-Fit
UPC	191130026616

机构

CSA	LR19980
-----	---------

物理

电路数（最多）	10
颜色-树脂	黑色
阻燃性	94V-0
性别	Plug
符合灼热丝规范	是
插接极性	是
锁定插接部位	是
材料 - 树脂	Nylon
净重	1.245/g
行数	2
包装形式	Bag

面板安装式	是
间距 - 插配接口	2.50mm
间距 - 终端界面	2.50mm
有极性的插配件	是
运行温度范围	-40° to +105° C, -40° to +115° C

可配插/可连接使用的产品

可配插部件

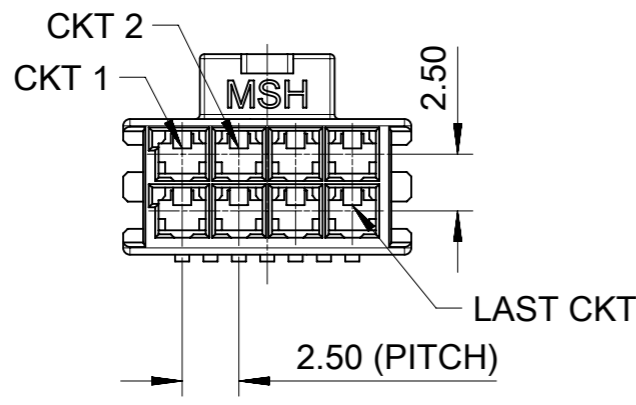
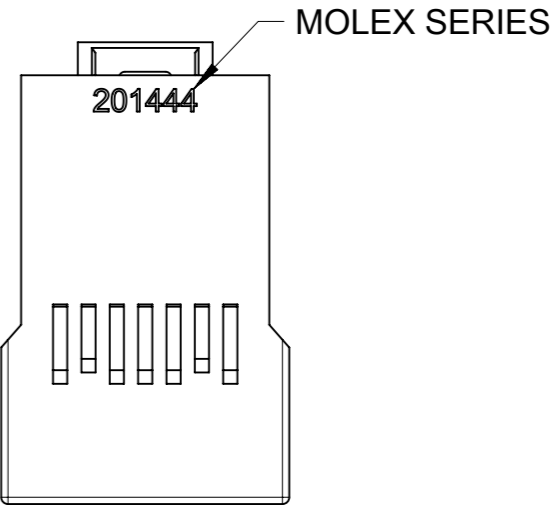
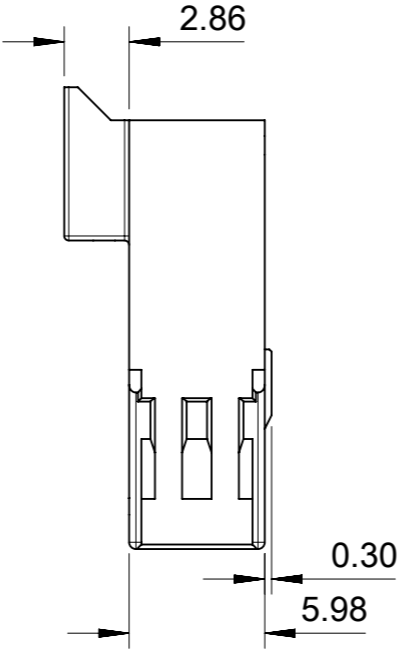
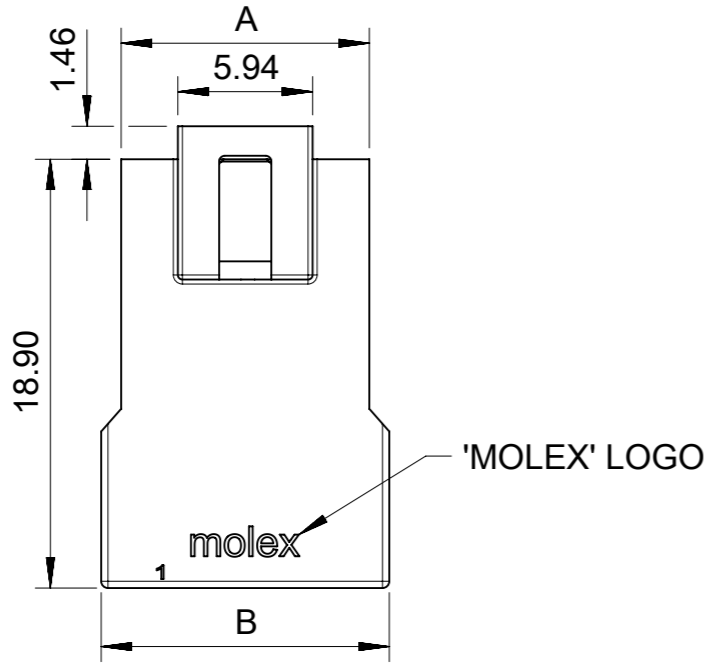
描述	产品编号
Nano-Fit Receptacle Housing, TPA Capable, 2.50mm Pitch, Dual Row, 10 Circuits, Black, Glow-Wire Capable	<u>1053081210</u>
Nano-Fit-to-Nano-Fit Off-the-Shelf (OTS) Cable Assembly, Dual Row, 150.00mm Length, 10 Circuits, Black	<u>0451301001</u>
Nano-Fit-to-Nano-Fit Off-the-Shelf (OTS) Cable Assembly, Dual Row, 300.00mm Length, 10 Circuits, Black	<u>0451301003</u>
Nano-Fit-to-Nano-Fit Off-the-Shelf (OTS) Cable Assembly, Dual Row, 1.0m Length, 10 Circuits, Black	<u>0451301010</u>
Nano-Fit-to-Nano-Fit Off-the-Shelf (OTS) Overmolded Cable Assembly, Dual Row, Matte Tin (Sn) Plating, 500.00mm Length, 10 Circuits, Black	<u>2451301005</u>
Nano-Fit-to-Nano-Fit Off-the-Shelf (OTS) Overmolded Cable Assembly, Dual Row, Matte Tin (Sn) Plating, 1.0m Length, 10 Circuits, Black	<u>2451301010</u>
Nano-Fit-to-Nano-Fit Off-the-Shelf (OTS) Overmolded Cable Assembly, Dual Row, Matte Tin (Sn) Plating, 2.0m Length, 10 Circuits, Black	<u>2451301020</u>
Nano-Fit-to-Nano-Fit Off-the-Shelf (OTS) Overmolded Cable Assembly, Dual Row, Matte Tin (Sn) Plating, 3.0m Length, 10 Circuits, Black	<u>2451301030</u>

Nano-Fit-to-Nano-Fit Off-the-Shelf (OTS) Overmolded Cable Assembly, Dual Row, Matte Tin (Sn) Plating, 5.0m Length, 10 Circuits, Black	<u>2451301050</u>
---	-------------------

可连接使用部件

描述	产品编号
Nano-Fit Male Crimp Terminals	<u>201447</u>
Nano-Fit Terminal Position Assurance (TPA) Retainers	<u>105325</u>

FREE HANGING PLUG PARTS

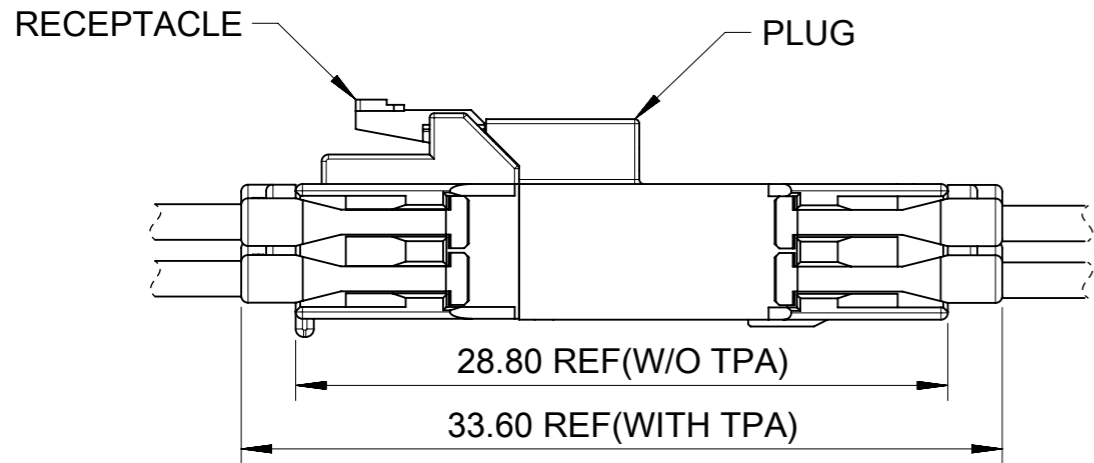


COLOR FEATURE	
BLACK	NATURAL
KEY A	KEY B

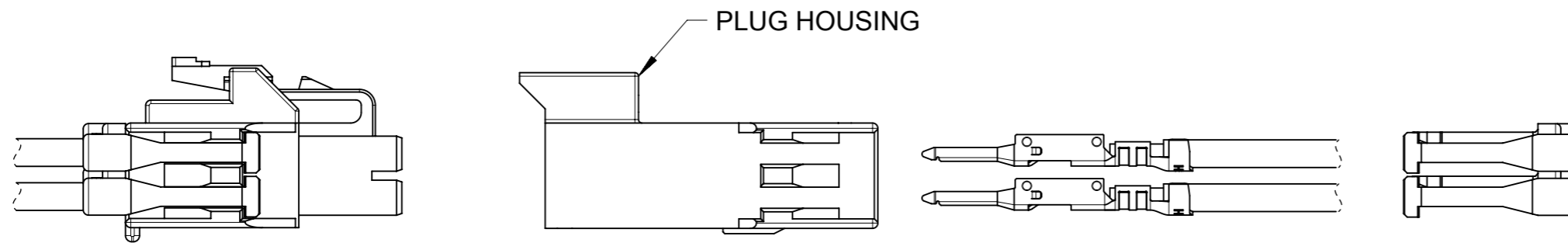
- NOTES:**
- MATERIAL:**
 OPTION 1: PA66, 94V-0, BLACK
 OPTION 2: PA66, 94V-0, NATURAL.
 - PRODUCT SPECIFICATION:** 2014471000-PS.
 - PACKAGE SPECIFICATION:** 2014441000-PK.
 - THE COMPONENT COMPLIANT TO RoHS DIRECTIVE 2011/65/EU AND ELV DIRECTIVE 2000/53/EC.**
 - TO MATE WITH TERMINAL OF 201447-****.**
TO MATE WITH TPA OF 105325-**.**
TO MATE WITH RECEPTACLE OF 105308-**.**
 - PARTS CONFORM TO CLASS 'B' REQUIREMENTS OF COSMETIC SPECIFICATION PS-45499-002.**
 - APPLICATION SPECIFICATION:** 201447-AS.

SYMBOLS DIMENSION UNITS: mm SCALE: 3:1 GENERAL TOLERANCES (UNLESS SPECIFIED): ANGULAR TOL: ± ° 4 PLACES: ± 3 PLACES: ± 2 PLACES: ± 0.15 1 PLACE: ± 0 PLACES: ± DRAFT WHERE APPLICABLE MUST REMAIN WITHIN DIMENSIONS THIRD ANGLE PROJECTION:	THIS DRAWING CONTAINS INFORMATION THAT IS PROPRIETARY TO MOLEX ELECTRONIC TECHNOLOGIES, LLC AND SHOULD NOT BE USED WITHOUT WRITTEN PERMISSION CURRENT REV DESC: EC NO: 625349 DRWN: GLLI 2019/10/09 CHK'D: YXZHENG 2019/10/10 APPR: YXZHENG 2019/10/10 INITIAL REVISION: DRWN: GLLI 2018/07/19 APPR: AYIN 2019/04/17		molex PLUG HOUSING OF NANO-FIT WTW DR POWER CONNECTOR PRODUCT CUSTOMER DRAWING		
	DOCUMENT NUMBER: 2014441000-SD DOC TYPE: PSD DOC PART: 000 REVISION: B	MATERIAL NUMBER: SEE SHEET 2 CUSTOMER: GENERAL MARKET SHEET NUMBER: 1 OF 6	DRAWING: A3-SIZE SERIES: 201444		DATE: 2019/10/10 07:05:48

FREE HANGING PLUG PARTS



PART No	DIM'A'	DIM'B'	CKT SIZE	COLOR
201444-1104	5.94	7.70	4	BLACK (KEY A)
201444-1106	8.44	10.20	6	
201444-1108	10.94	12.70	8	
201444-1110	13.44	15.20	10	
201444-1112	15.94	17.70	12	
201444-1114	18.44	20.20	14	
201444-1116	20.94	22.70	16	NATURAL (KEY B)
201444-2104	5.94	7.70	4	
201444-2106	8.44	10.20	6	
201444-2108	10.94	12.70	8	
201444-2110	13.44	15.20	10	
201444-2112	15.94	17.70	12	
201444-2114	18.44	20.20	14	
201444-2116	20.94	22.70	16	



←
TERMINAL AND TPA ORIENTATION

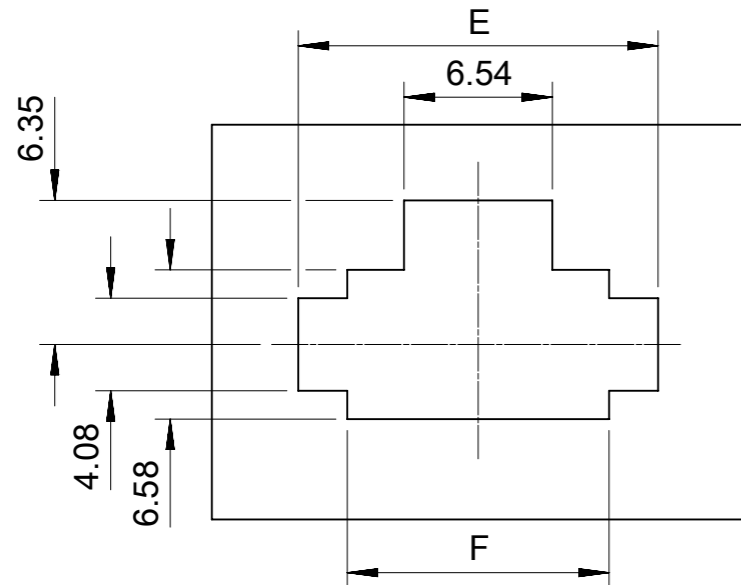
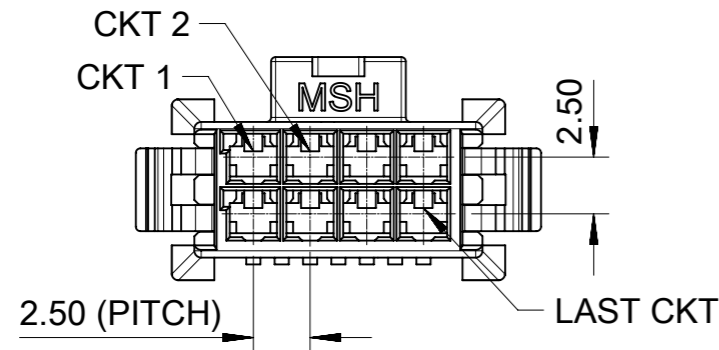
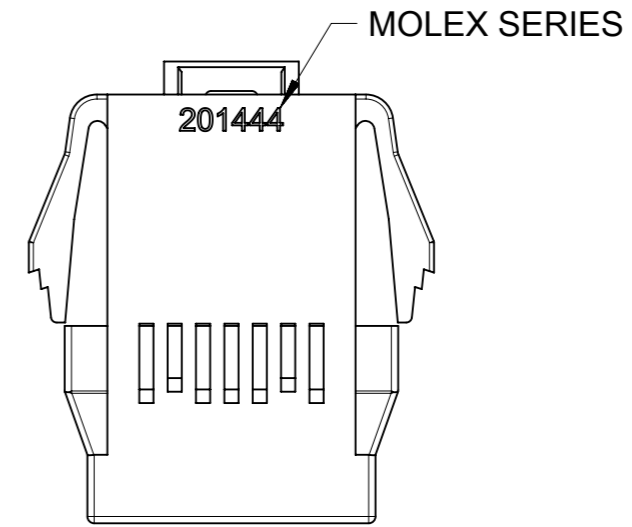
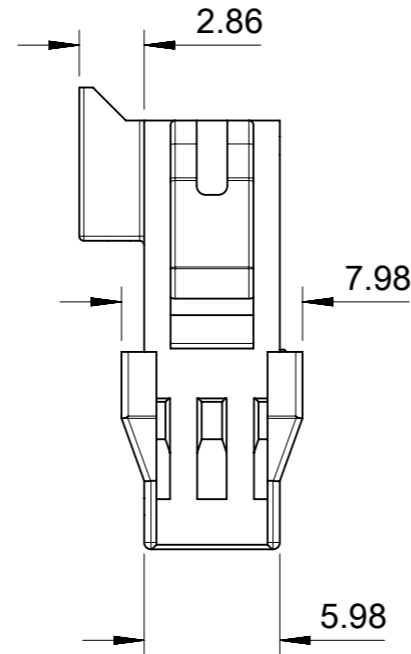
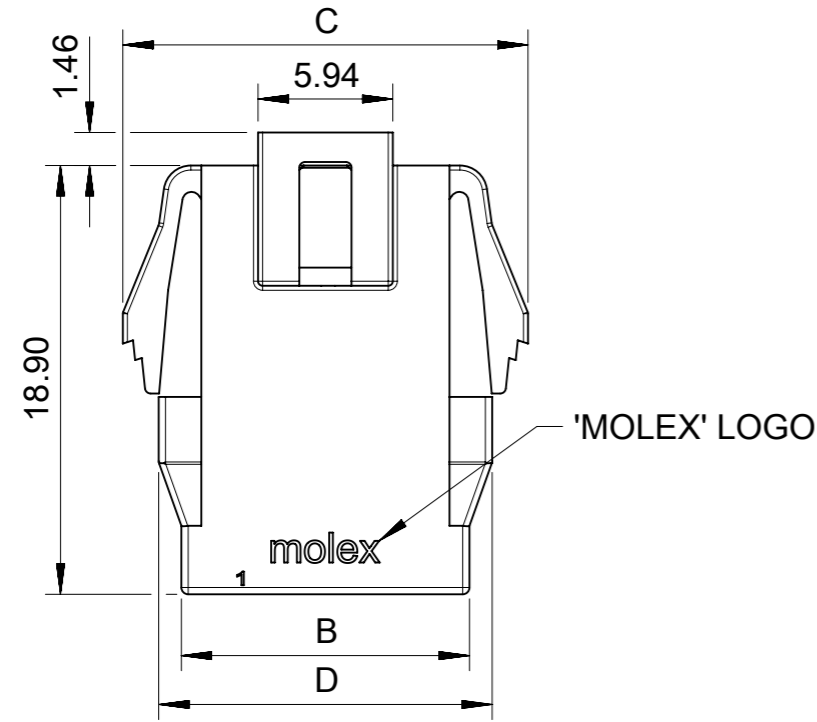
SYMBOLS				THIS DRAWING CONTAINS INFORMATION THAT IS PROPRIETARY TO MOLEX ELECTRONIC TECHNOLOGIES, LLC AND SHOULD NOT BE USED WITHOUT WRITTEN PERMISSION				CURRENT REV DESC:											
▽ = 0	mm	SCALE	3:1	molex PLUG HOUSING OF NANO-FIT WTW DR POWER CONNECTOR PRODUCT CUSTOMER DRAWING				EC NO: 625349 DRWN: GLLI 2019/10/09 CHK'D: YXZHENG 2019/10/10 APPR: YXZHENG 2019/10/10 INITIAL REVISION: DRWN: GLLI 2018/07/19 APPR: AYIN 2019/04/17											
▽ = 0	GENERAL TOLERANCES (UNLESS SPECIFIED)											DOCUMENT NUMBER				DOC TYPE DOC PART REVISION			
▽ = 0	ANGULAR TOL ± °											2014441000-SD				PSD 000 B			
▽ = 0	4 PLACES ±											MATERIAL NUMBER				CUSTOMER			
▽ = 0	3 PLACES ±											SEE CHART				GENERAL MARKET			
▽ = 0	2 PLACES ± 0.15											SHEET NUMBER				2 OF 6			
▽ = 0	1 PLACE ±			THIRD ANGLE PROJECTION				DRAWING											
▽ = 0	0 PLACES ±			A3-SIZE				SERIES											
▽ = 0	DRAFT WHERE APPLICABLE MUST REMAIN WITHIN DIMENSIONS			201444															

FREE HANGING PLUG PARTS

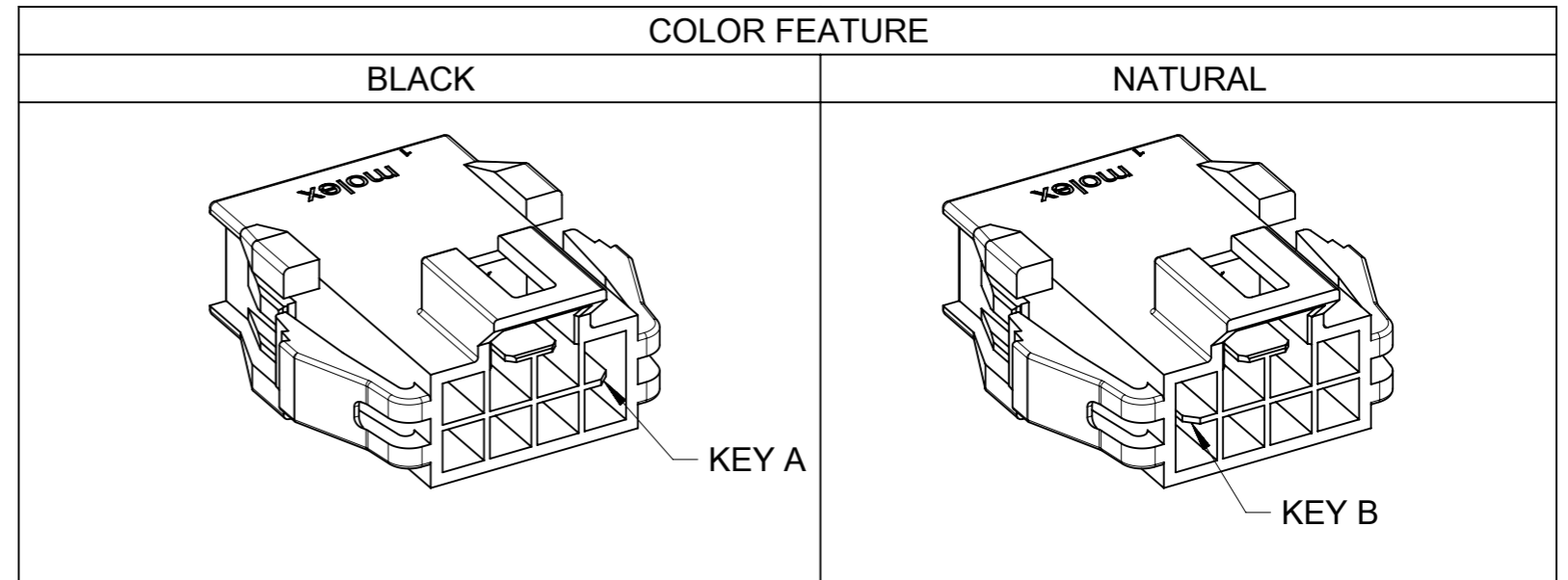
	4 CKT	6 CKT	8 CKT	10 CKT
BLACK				
NATURAL				
	12 CKT	14 CKT	16 CKT	
BLACK				
NATURAL				

SYMBOLS ▽ = 0 ▽ = 0 ▽ = 0 ▽ = 0 ▽ = 0 ▽ = 0 ▽ = 0 ▽ = 0 ▽ = 0 ▽ = 0 ▽ = 0 ▽ = 0 ▽ = 0	THIS DRAWING CONTAINS INFORMATION THAT IS PROPRIETARY TO MOLEX ELECTRONIC TECHNOLOGIES, LLC AND SHOULD NOT BE USED WITHOUT WRITTEN PERMISSION DIMENSION UNITS: mm SCALE: 2.5:1	CURRENT REV DESC: EC NO: 625349 DRWN: GLLI 2019/10/09 CHK'D: YXZHENG 2019/10/10 APPR: YXZHENG 2019/10/10	 PLUG HOUSING OF NANO-FIT WTW DR POWER CONNECTOR		
	GENERAL TOLERANCES (UNLESS SPECIFIED) ANGULAR TOL ± ° 4 PLACES ± 3 PLACES ± 2 PLACES ± 0.15 1 PLACE ± 0 PLACES ± DRAFT WHERE APPLICABLE MUST REMAIN WITHIN DIMENSIONS	INITIAL REVISION: DRWN: GLLI 2018/07/19 APPR: AYIN 2019/04/17			
	THIRD ANGLE PROJECTION 	DRAWING: A3-SIZE SERIES: 201444	MATERIAL NUMBER: SEE SHEET 2 CUSTOMER: GENERAL MARKET	SHEET NUMBER: 3 OF 6	

PANEL MOUNT PLUG PARTS

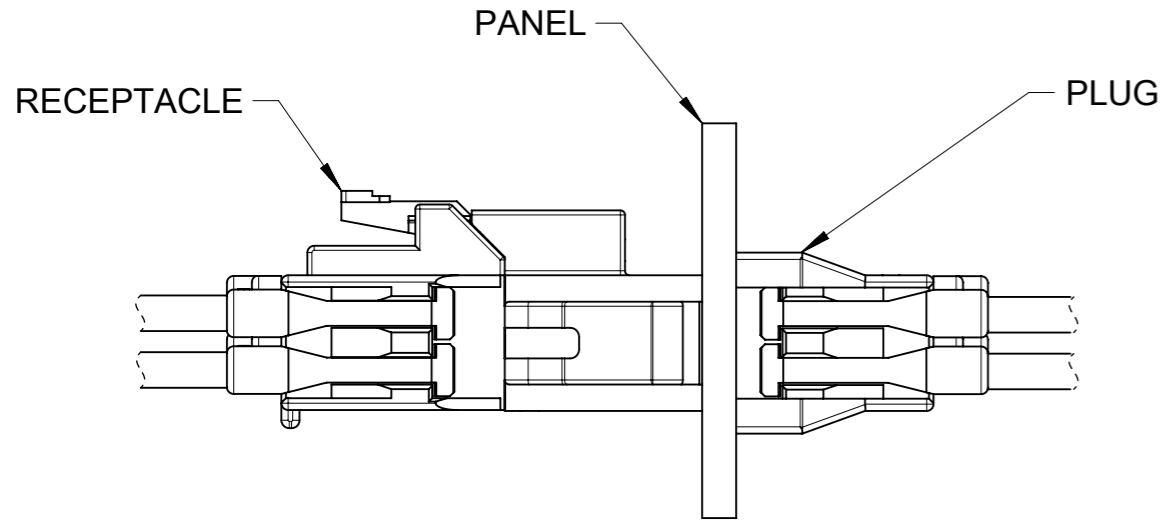


RECOMMENDED PANEL CUT OUT
(THICKNESS=1.2~2.2MM)

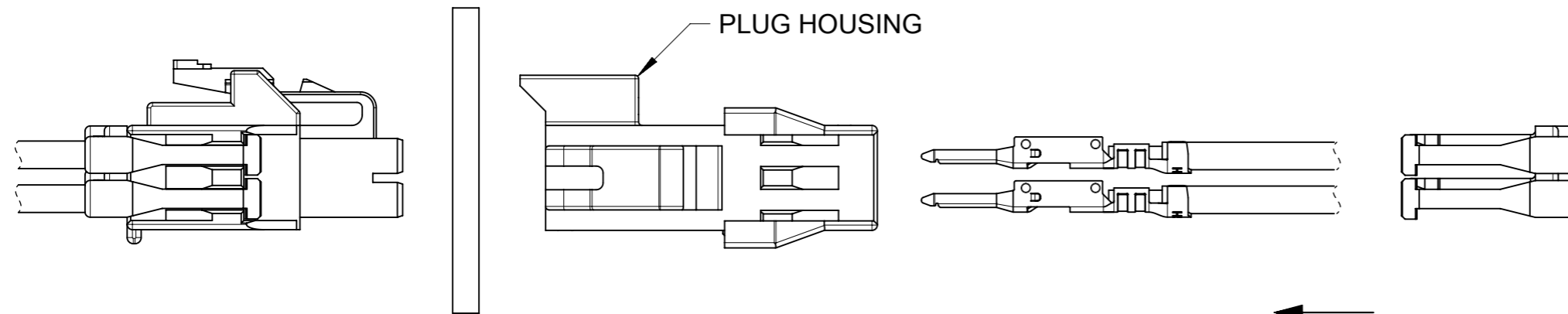


SYMBOLS DIMENSION UNITS: mm SCALE: 3:1 GENERAL TOLERANCES (UNLESS SPECIFIED): ANGULAR TOL: ± ° 4 PLACES: ± 3 PLACES: ± 2 PLACES: ± 0.15 1 PLACE: ± 0 PLACES: ± DRAFT WHERE APPLICABLE MUST REMAIN WITHIN DIMENSIONS THIRD ANGLE PROJECTION DRAWING: A3-SIZE SERIES: 201444 MATERIAL NUMBER: SEE SHEET 5 CUSTOMER: GENERAL MARKET SHEET NUMBER: 4 OF 6	THIS DRAWING CONTAINS INFORMATION THAT IS PROPRIETARY TO MOLEX ELECTRONIC TECHNOLOGIES, LLC AND SHOULD NOT BE USED WITHOUT WRITTEN PERMISSION			CURRENT REV DESC: EC NO: 625349 DRWN: GLLI 2019/10/09 CHK'D: YXZHENG 2019/10/10 APPR: YXZHENG 2019/10/10 INITIAL REVISION: DRWN: GLLI 2018/07/19 APPR: AYIN 2019/04/17					
	PLUG HOUSING OF NANO-FIT WTW DR POWER CONNECTOR								
	PRODUCT CUSTOMER DRAWING								
	DOCUMENT NUMBER: 2014441000-SD			DOC TYPE: PSD	DOC PART: 000	REVISION: B			

PANEL MOUNT PLUG PARTS



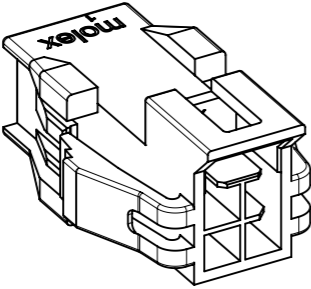
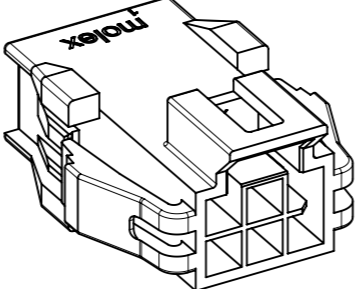
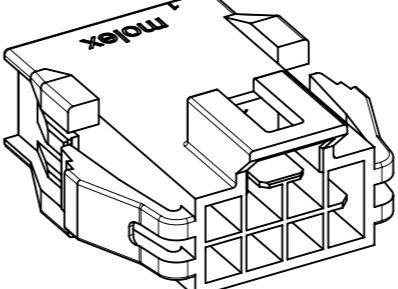
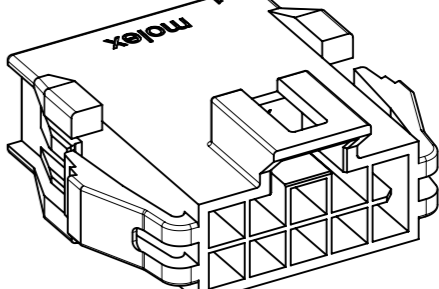
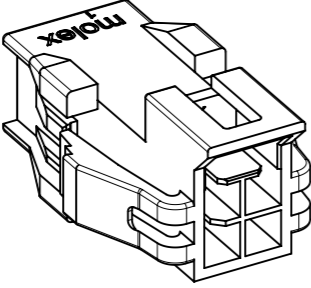
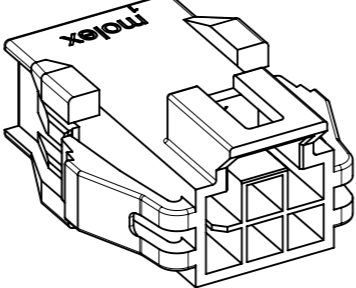
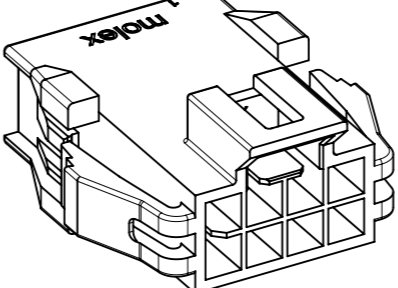
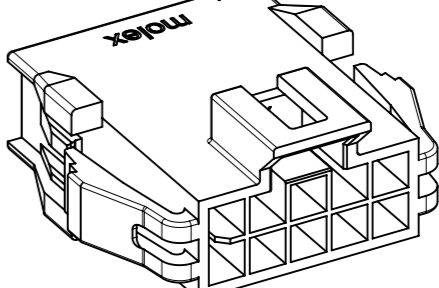
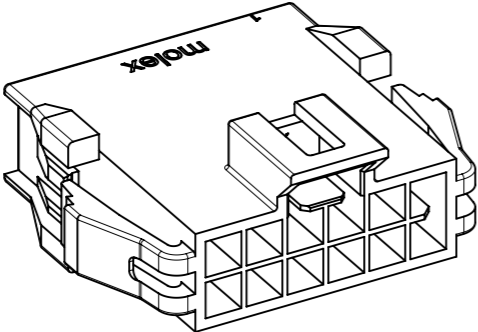
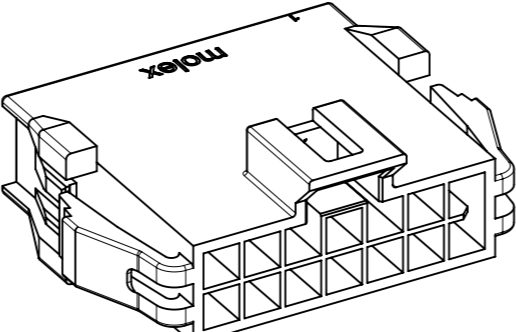
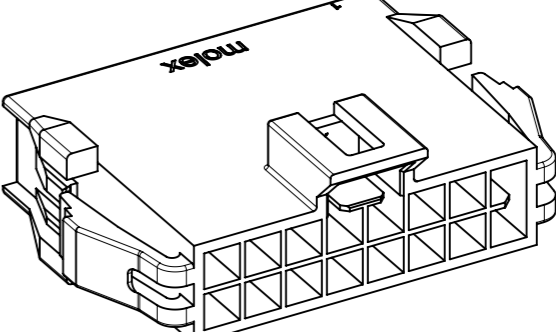
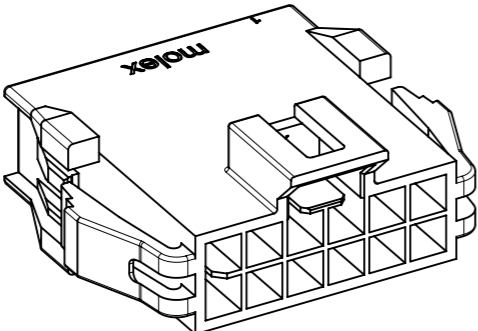
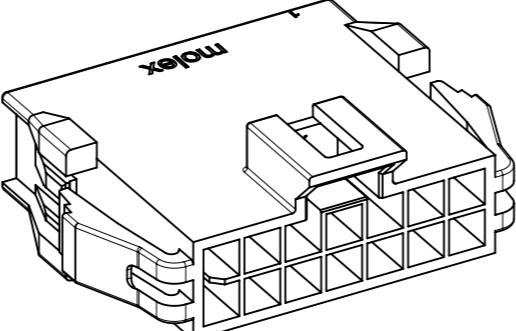
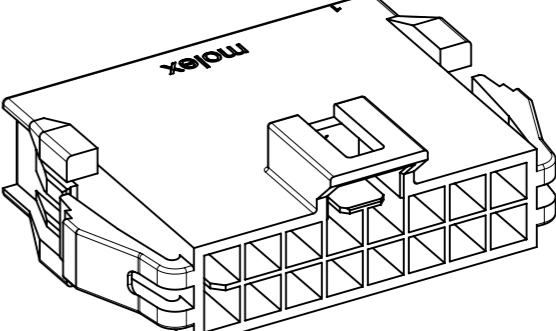
PART No	DIM'B'	DIM'C'	DIM'D'	DIM'E'	DIM'F'	CKT SIZE	COLOR
201444-1204	7.70	12.86	9.70	10.86	6.54	4	BLACK (KEY A)
201444-1206	10.20	15.36	12.20	13.36	9.04	6	
201444-1208	12.70	17.86	14.70	15.86	11.54	8	
201444-1210	15.20	20.36	17.20	18.36	14.04	10	
201444-1212	17.70	22.86	19.70	20.86	16.54	12	
201444-1214	20.20	25.36	22.20	23.36	19.04	14	
201444-1216	22.70	27.86	24.70	25.86	21.54	16	NATURAL (KEY B)
201444-2204	7.70	12.86	9.70	10.86	6.54	4	
201444-2206	10.20	15.36	12.20	13.36	9.04	6	
201444-2208	12.70	17.86	14.70	15.86	11.54	8	
201444-2210	15.20	20.36	17.20	18.36	14.04	10	
201444-2212	17.70	22.86	19.70	20.86	16.54	12	
201444-2214	20.20	25.36	22.20	23.36	19.04	14	NATURAL (KEY B)
201444-2216	22.70	27.86	24.70	25.86	21.54	16	

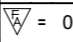
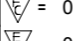
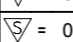
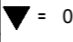
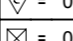
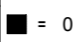
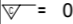




←
TERMINAL AND TPA ORIENTATION

SYMBOLS		THIS DRAWING CONTAINS INFORMATION THAT IS PROPRIETARY TO MOLEX ELECTRONIC TECHNOLOGIES, LLC AND SHOULD NOT BE USED WITHOUT WRITTEN PERMISSION		CURRENT REV DESC:		molex				
▽ = 0	mm	SCALE	3:1						PLUG HOUSING OF NANO-FIT WTW DR POWER CONNECTOR	
▽ = 0	GENERAL TOLERANCES (UNLESS SPECIFIED)			EC NO: 625349 DRWN: GLLI 2019/10/09 CHK'D: YXZHENG 2019/10/10 APPR: YXZHENG 2019/10/10			PRODUCT CUSTOMER DRAWING			
▽ = 0	ANGULAR TOL ± °									INITIAL REVISION: DRWN: GLLI 2018/07/19 APPR: AYIN 2019/04/17
▽ = 0	4 PLACES	±		2014441000-SD			PSD	000	B	
▽ = 0	3 PLACES	±					MATERIAL NUMBER			CUSTOMER
▽ = 0	2 PLACES	±	0.15	SERIES						
▽ = 0	1 PLACE	±					A3-SIZE			201444
▽ = 0	0 PLACES	±		DRAWING						
■ = 0	DRAFT WHERE APPLICABLE MUST REMAIN WITHIN DIMENSIONS						THIRD ANGLE PROJECTION			GENERAL MARKET
▽ = 0				DRAWING						

PANEL MOUNT PLUG PARTS

	4 CKT	6 CKT	8 CKT	10 CKT
BLACK				
NATURAL				
	12 CKT	14 CKT	16 CKT	
BLACK				
NATURAL				

SYMBOLS  = 0  = 0  = 0  = 0  = 0  = 0  = 0	THIS DRAWING CONTAINS INFORMATION THAT IS PROPRIETARY TO MOLEX ELECTRONIC TECHNOLOGIES, LLC AND SHOULD NOT BE USED WITHOUT WRITTEN PERMISSION		CURRENT REV DESC: EC NO: 625349 DRWN: GLLI 2019/10/09 CHK'D: YXZHENG 2019/10/10 APPR: YXZHENG 2019/10/10		 PLUG HOUSING OF NANO-FIT WTW DR POWER CONNECTOR PRODUCT CUSTOMER DRAWING
	DIMENSION UNITS: mm SCALE: 2.5:1 GENERAL TOLERANCES (UNLESS SPECIFIED) ANGULAR TOL ± °	INITIAL REVISION: DRWN: GLLI 2018/07/19 APPR: AYIN 2019/04/17		DOCUMENT NUMBER: 2014441000-SD	
	4 PLACES ± 3 PLACES ± 2 PLACES ± 0.15 1 PLACE ± 0 PLACES ±	THIRD ANGLE PROJECTION 		DOC TYPE: PSD DOC PART: 000 REVISION: B	
	DRAFT WHERE APPLICABLE MUST REMAIN WITHIN DIMENSIONS	DRAWING: A3-SIZE	SERIES: 201444	MATERIAL NUMBER: SEE SHEET 5 CUSTOMER: GENERAL MARKET SHEET NUMBER: 6 OF 6	