



产品编号 : 2042204004

系列号 : 204220

Product Category : Connector Housings

Product Description : Squba Sealed Receptacle Assembly, 1.80mm Pitch, Single Row, 4 Circuit Housing, Circuit #4 Voided

状态 : Active

文件和资源

图纸

图纸 2042204004_sd.pdf

3D 模型和设计文件

3D模型 2042204004_stp.zip

规格

应用规格 2042200000-AS-000.pdf


包装规格 2042200000-PK-000.pdf

产品规格 2042200000-PS-000.pdf

产品规格 2042200000-TS-000.pdf

产物环境合规

合规

GADSL/IMDS	Not Relevant
China RoHS	
EU ELV	Not Relevant
Low-Halogen Status	Low-Halogen per IEC 61249-2-21
REACH SVHC	Not Contained per D(2023)8585-DC (23 Jan 2024)
EU RoHS	Compliant per EU 2015/863

多部分产品合规性声明

- Eu RoHS
- REACH SVHC
- Low-Halogen

- IPC 1752A Class C
- IPC 1752A Class D
- Molex Product Compliance Declaration

- IEC-62474

- chemSHERPA (xml)

欧盟 RoHS 合格证书

产品详情

常规

状态	活动
类别	Connector Housings
系列	204220
说明	Squba Sealed Receptacle Assembly, 1.80mm Pitch, Single Row, 4 Circuit Housing, Circuit #4 Voided
应用	Power, Signal, Wire-to-Wire
产品系列	Squba Sealed Wire-to-Wire Connectors
产品名称	Squba
UPC	191128738897

机构

UL	E29179
----	--------

物理

电路数（最多）	4
颜色-树脂	黑色
阻燃性	94V-0
性别	Receptacle
符合灼热丝规范	否
插接极性	无
锁定插接部位	是
材料 - 树脂	Nylon
净重	2.100/g
行数	1
包装形式	Tray
面板安装式	否
间距 - 插配接口	1.80mm

间距 - 终端界面	1.80mm
有极性的插配件	是
运行温度范围	-40° to +105° C

可配插/可连接使用的产品

可配插部件

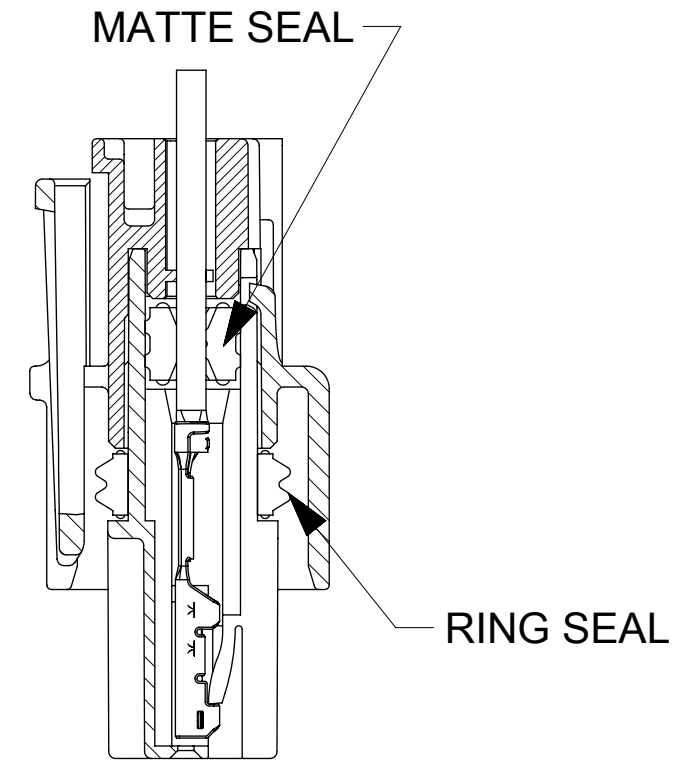
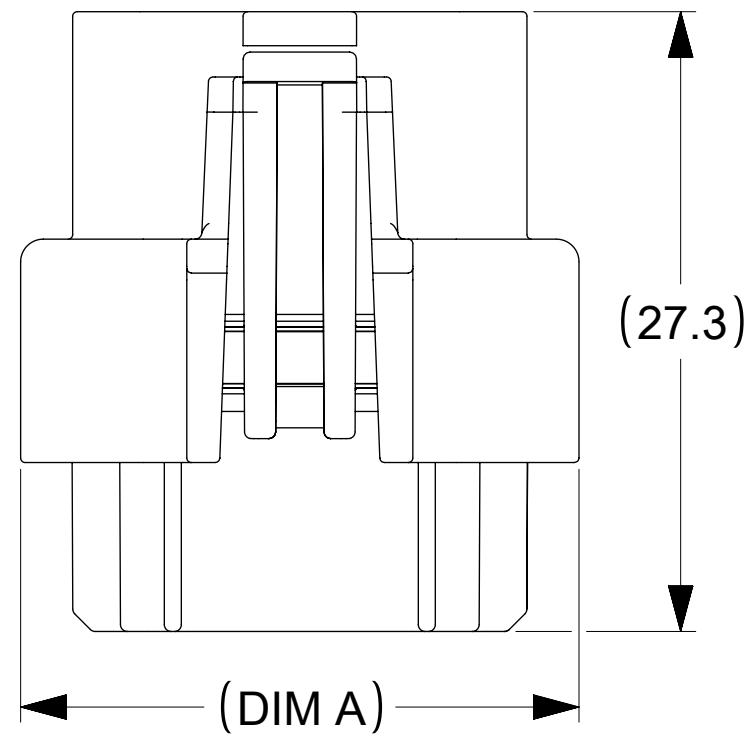
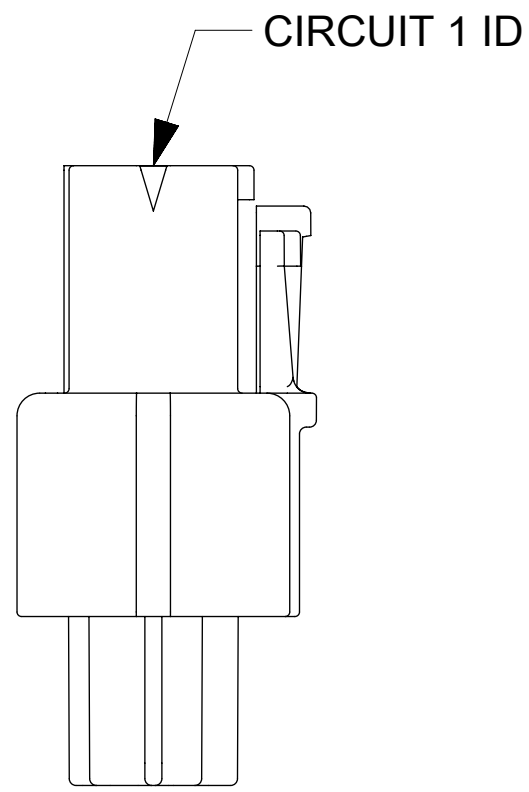
描述	产品编号
Squba Sealed Single Row Plug Assemblies	<u>204223</u>

可连接使用部件

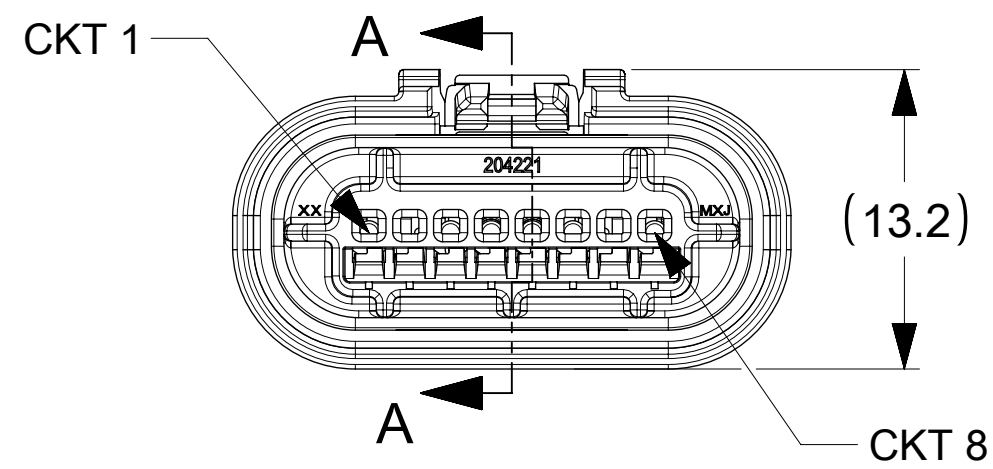
描述	产品编号
Squba Receptacle Terminal, Matte Tin Plating, 22-24 AWG	<u>/content/molex/molex-dot-com/cn/zh/products/product-page.html/2043010001.html</u>

NOTES:

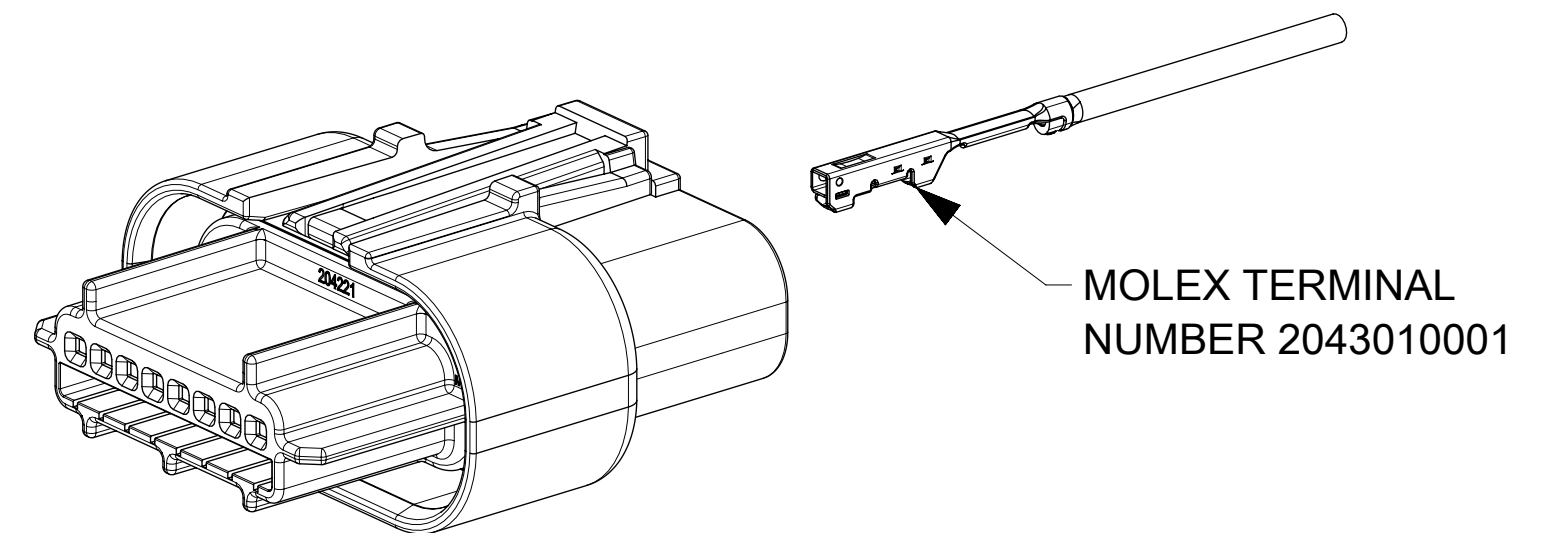
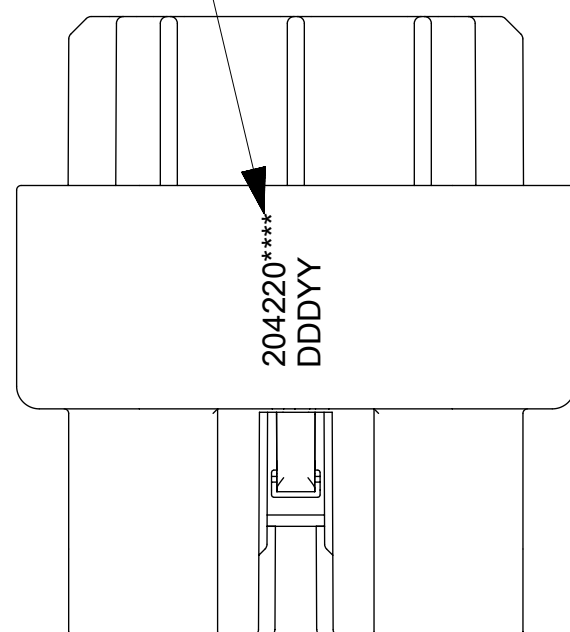
1. MATERIAL:
HOUSING & REAR SEAL CAP: NYLON, UL94V-0, COLOR: BLACK
SEALS: INHERENTLY LUBRICATED SILICONE
2. FINISH: NONE
3. PRODUCT SPECIFICATION: 2042200000-PS
4. APPLICATION SPECIFICATION: 2042200000-AS
5. PACKAGING SPECIFICATION: 2042200000-PK
6. PART MATES WITH PLUG SERIES 204223.
7. PART USES TERMINAL PART NUMBER 2043010001.
8. PART CONFORMS TO COSMETIC SPEC: PS-45499-002 CLASS C
9. VOIDED CIRCUITS HAVE A PLUG IN THE MATTE SEAL TO SEAL THE CIRCUIT AND WILL NOT ACCEPT TERMINALS.



SECTION A-A
TERMINAL SHOWN INSERTED
INTO HOUSING



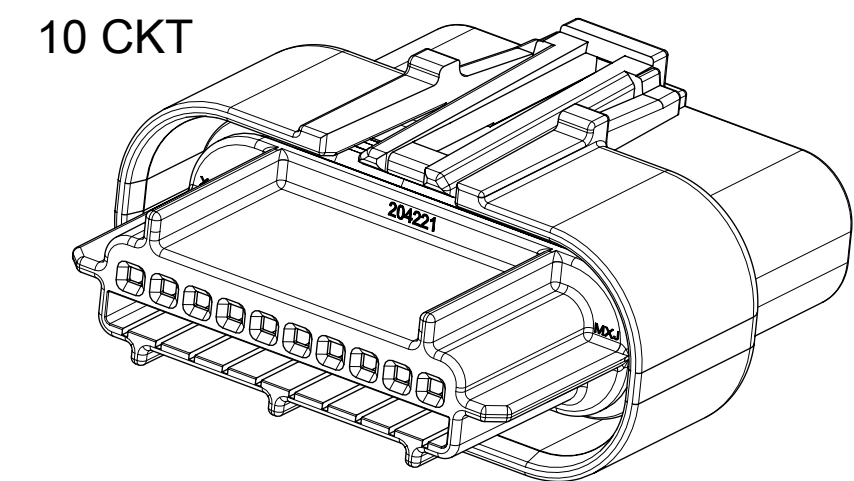
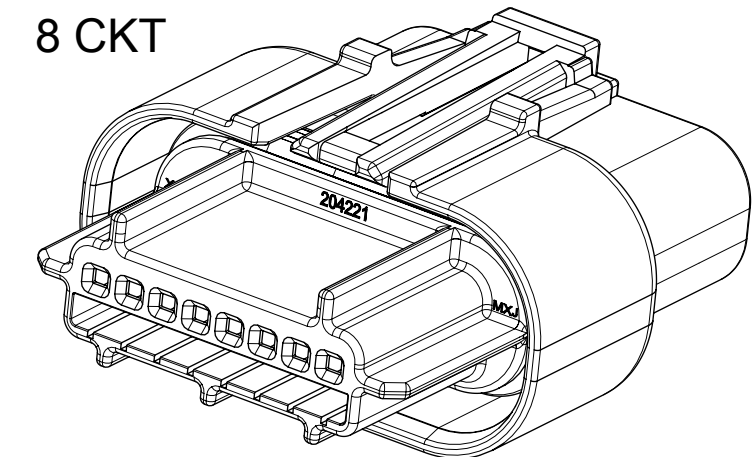
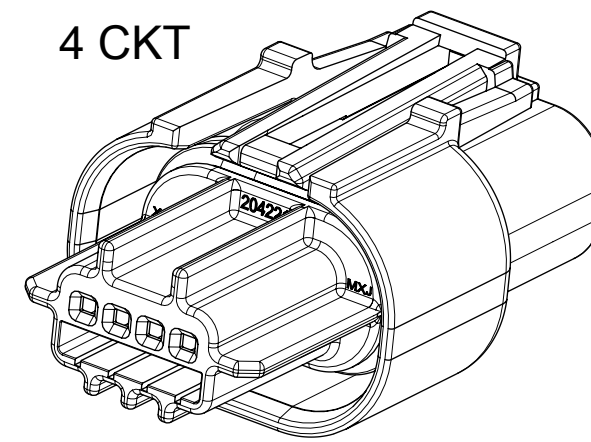
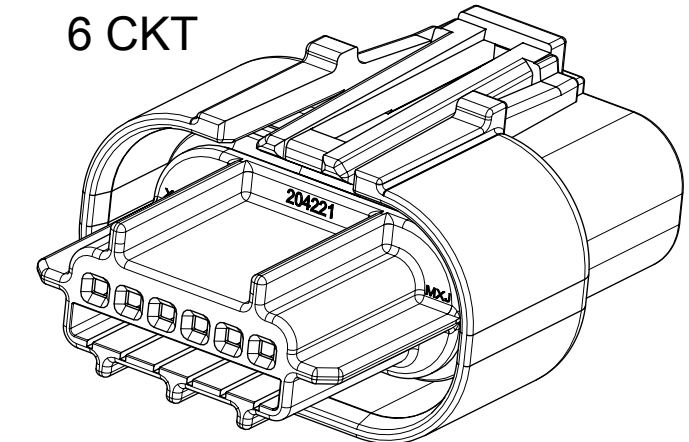
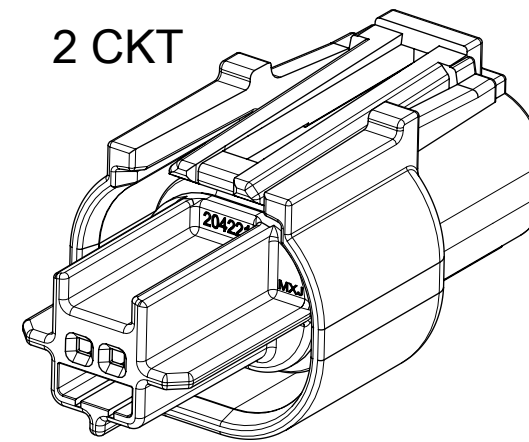
LASER MARK THIS SURFACE
MOLEX PART NUMBER AND
JULIAN DATE CODE: DDDYY



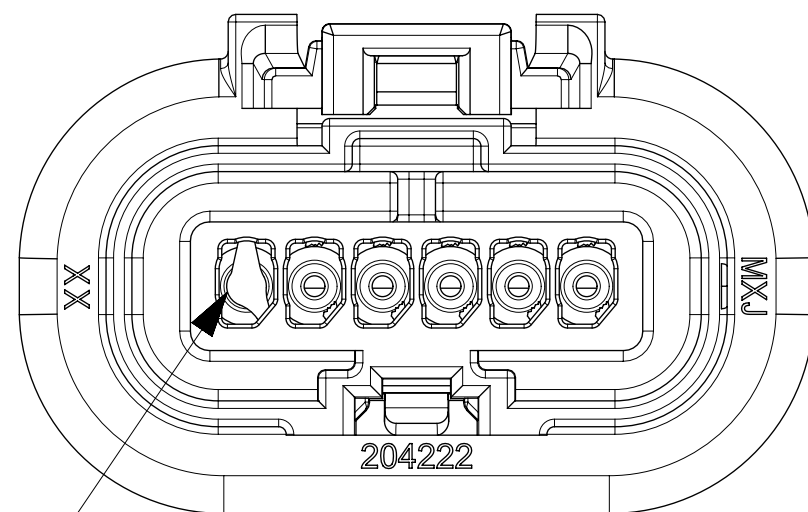
CIRCUIT SIZE	DIM A
2	13.8
4	17.4
6	21.0
8	24.6
10	28.2

FUNCTIONAL SYMBOLS $\nabla_A = 0$ $\nabla_C = 0$ $\nabla_P = 0$	THIS DRAWING CONTAINS INFORMATION THAT IS PROPRIETARY TO MOLEX ELECTRONIC TECHNOLOGIES, LLC AND SHOULD NOT BE USED WITHOUT WRITTEN PERMISSION		CURRENT REV DESC: ADD -9808, -9708, AND -9608				
	DIMENSION UNITS	SCALE					
	GENERAL TOLERANCES (UNLESS SPECIFIED)						
	ANGULAR TOL \pm °						
DIVISIONAL SYMBOLS 4 PLACES \pm 3 PLACES \pm 2 PLACES ± 0.2 1 PLACE \pm 0 PLACES \pm	mm	3:1			RECEPTACLE ASSEMBLY SQUBA 1.8 PRODUCT CUSTOMER DRAWING		
	EC NO: 646267		2020/08/26				
	DRWN: MKIPPER		2020/10/01				
	CHK'D: DSTEIER		2020/10/05				
APPR: FSMITH		2020/10/05		DOCUMENT NUMBER 2042200000-SD			
INITIAL REVISION:							
DRWN: TGREGORI		2017/04/26					
APPR: RHODGE		2018/01/26		DOC TYPE	DOC PART	REVISION	
DRAFT WHERE APPLICABLE MUST REMAIN WITHIN DIMENSIONS		THIRD ANGLE PROJECTION	DRAWING	SERIES	MATERIAL NUMBER	CUSTOMER	SHEET NUMBER
			C-SIZE	204220	SEE CHART	GENERAL MARKET	1 OF 2

CIRCUIT SIZE	MATERIAL NUMBER	VOIDED CIRCUIT SEE NOTE 9
2	204220-0002	NONE
4	204220-0004	NONE
6	204220-0006	NONE
8	204220-0008	NONE
10	204220-0010	NONE
2	204220-9902	ALL CIRCUITS VOIDED
4	204220-9904	ALL CIRCUITS VOIDED
6	204220-9906	ALL CIRCUITS VOIDED
8	204220-9908	ALL CIRCUITS VOIDED
10	204220-9910	ALL CIRCUITS VOIDED
4	204220-4004	4
6	204220-6006	6
8	204220-8008	8
10	204220-1110	10
8	204220-9808	1,2,5,6
8	204220-9708	5
8	204220-9608	3,6



AVAILABLE CIRCUIT SIZES



VOIDED CIRCUIT(S)
HAVE PLUG(S) PRESENT
SEE NOTE 9

FUNCTIONAL SYMBOLS	THIS DRAWING CONTAINS INFORMATION THAT IS PROPRIETARY TO MOLEX ELECTRONIC TECHNOLOGIES, LLC AND SHOULD NOT BE USED WITHOUT WRITTEN PERMISSION										
$\nabla_A = 0$	DIMENSION UNITS	SCALE	CURRENT REV DESC: ADD -9808, -9708, AND -9608							molex	
$\nabla_E = 0$	mm	3:1									
$\nabla_P = 0$	GENERAL TOLERANCES (UNLESS SPECIFIED)		EC NO: 646267							RECEPTACLE ASSEMBLY	
DIVISIONAL SYMBOLS	ANGULAR TOL ± °		DRWN: MKIPPER				2020/08/26		SQUBA 1.8		
	4 PLACES ±		CHK'D: DSTEIER				2020/10/01		PRODUCT CUSTOMER DRAWING		
	3 PLACES ±		APPR: FSMITH				2020/10/05		DOCUMENT NUMBER		
	2 PLACES ± 0.2		INITIAL REVISION:				2017/04/26		2042200000-SD		
	1 PLACE ±		DRWN: TGREGORI				2018/01/26		PSD 000 A7		
	0 PLACES ±		APPR: RHODGE						DOC TYPE DOC PART REVISION		
DRAFT WHERE APPLICABLE MUST REMAIN WITHIN DIMENSIONS			THIRD ANGLE PROJECTION		DRAWING		SERIES		MATERIAL NUMBER CUSTOMER SHEET NUMBER		
					C-SIZE		204220		SEE CHART GENERAL MARKET 2 OF 2		