



产品编号：[2064600041](#)

Product Description：Micro-Fit+ Crimp Terminal, Female, Tin (Sn) Plating, 16 AWG

系列号：206460

状态：Active

Product Category：Crimp Terminals



文件和资源

图纸

[图纸 2064600041_sd.pdf](#)

[包装设计图 2064600000-PK-000.pdf](#)

规格

[应用规格 2064600001-AS-000.pdf](#)

[产品规格 2064600000-PS-000.pdf](#)

[产品规格 2159530000-PS-000.pdf](#)

[测试摘要 2064600000-TS-000.pdf](#)

产物环境合规

合规

GADSL/IMDS	Not Relevant
China RoHS	
EU ELV	Not Relevant
Low-Halogen Status	Not Low-Halogen per IEC 61249-2-21
REACH SVHC	Not Contained per D(2023)8585-DC (23 Jan 2024)
EU RoHS	Compliant per EU 2015/863

多部分产品合规性声明

- Eu RoHS
- REACH SVHC
- Low-Halogen

多部分行业合规性文件

- IPC 1752A Class C
- IPC 1752A Class D

- Molex Product Compliance Declaration

- IEC-62474

- chemSHERPA (xml)

欧盟 RoHS 合格证书

产品详情

常规

状态	活动
类别	Crimp Terminals
系列	206460
说明	Micro-Fit+ Crimp Terminal, Female, Tin (Sn) Plating, 16 AWG
应用	Power, Wire-to-Board, Wire-to- Wire
产品系列	Micro-Fit+ Connector System
产品名称	Micro-Fit+
UPC	191130125456

机构

UL	E29179
----	--------

电气

每触点最大电流	13.0A
电压 - 最大	600V AC (RMS)/DC

物理

耐用性(插拔次数) - 最多次数	25
性别	女
材料 - 金属	High Conductivity Copper
材料 - 接合部位电镀	Tin
材料 - 终端电镀	Tin
净重	0.092/g
包装形式	Reel
终端界面类型	Crimp or Compression
导线绝缘直径	2.00mm
线径规格 (AWG)	16

线缆尺寸mm ²	不适用
---------------------	-----

可连接使用部件

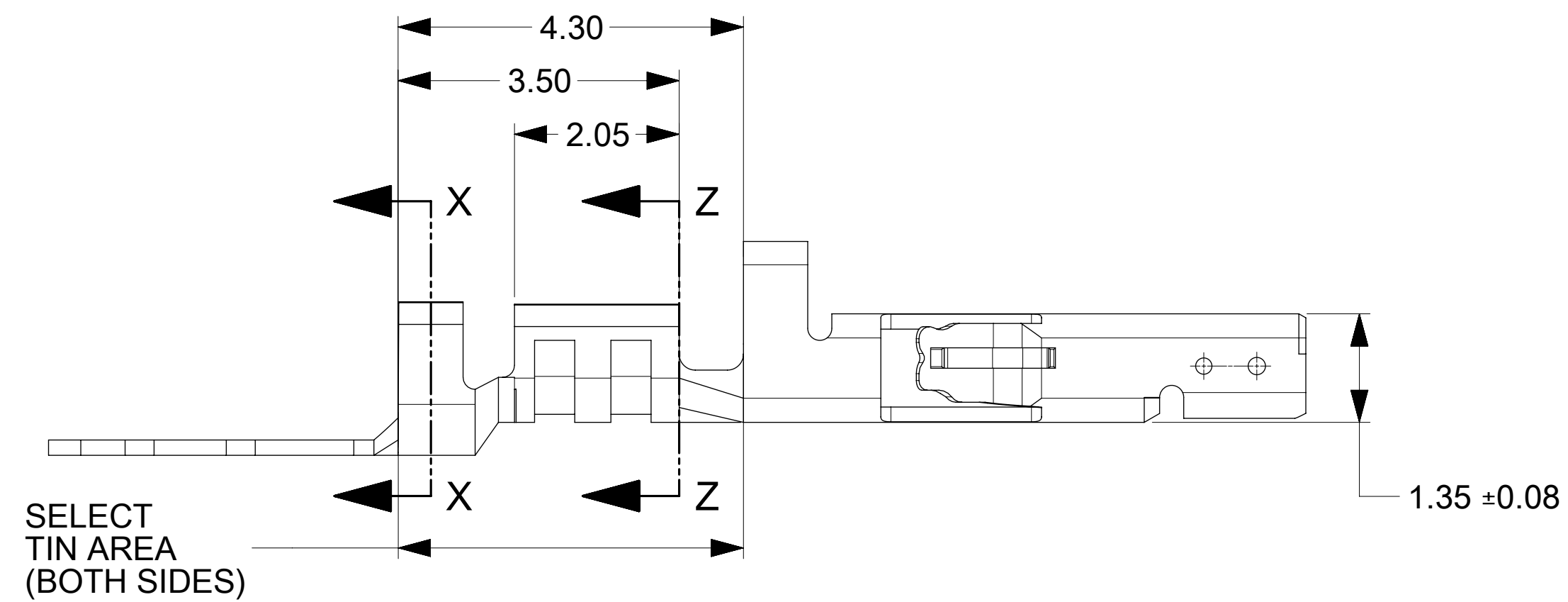
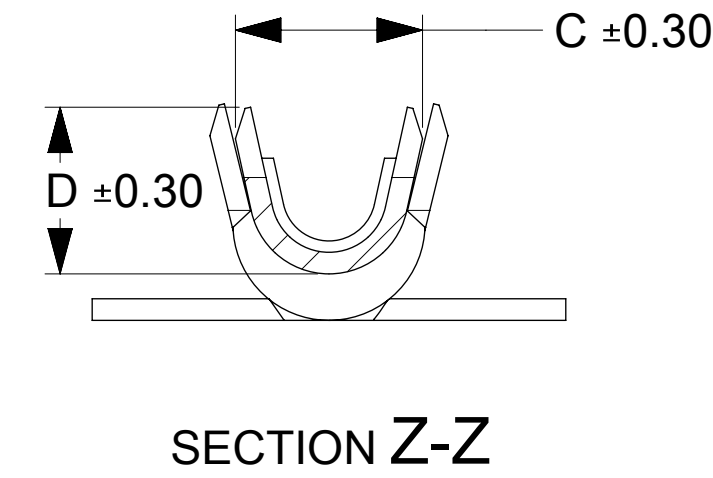
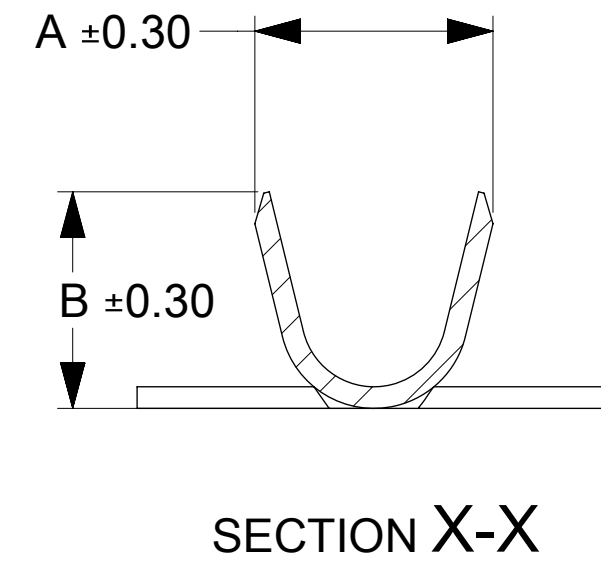
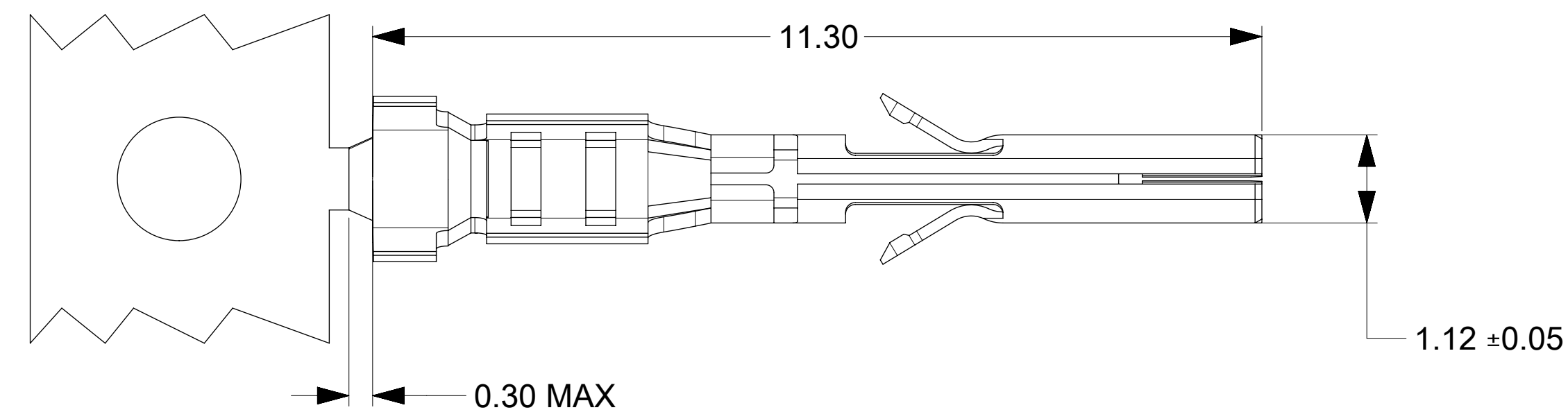
描述	产品编号
Micro-Fit+ Dual Row Receptacle Housings	<u>206461</u>
Micro-Fit+ Single Row Receptacle Housings	<u>215759</u>

施工工具

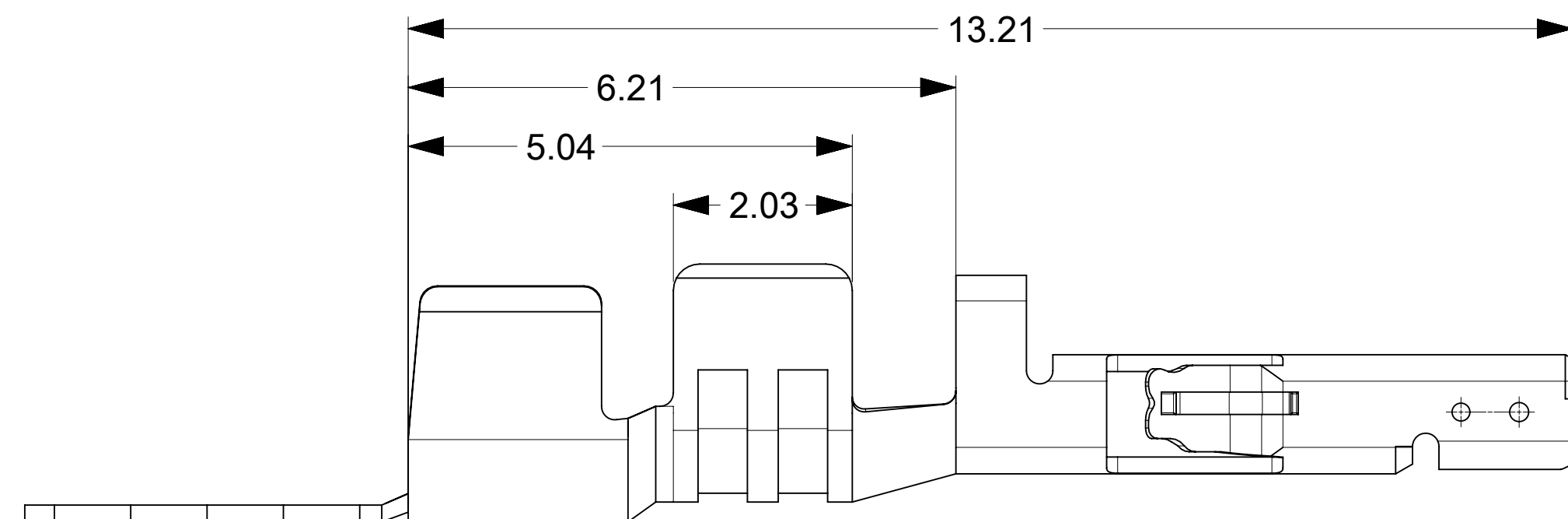
全局

描述	产品编号
Extraction Tool for Micro-Fit Terminals	<u>11030043</u>
FineAdjust Applicator for Micro-Fit+ Crimp Terminal, 16 AWG, UL1061 Wire	<u>2037020800</u>
Hand Crimp Tool for Micro-Fit Plus Crimp Terminals, 16 and 18 AWG UL1061 Wire	<u>2133094400</u>
Insertion Tool for Micro-Fit 3.0 and CRC Male and Female Crimp Terminals, 20-30 AWG	<u>638120800</u>

FOR 18AWG & 20-24AWG & 26-30AWG



FOR 16AWG



PART NUMBER	CONTACT PLATING OPTION	WIRE SIZE	ASSEMBLY OPTION	LUBRICATED	A	B	C	D
2064600011	OPTION 1	26-30 AWG	CHAIN	YES	2.10	1.91	1.65	1.47
2064600021		20-24 AWG			2.51	2.31	2.08	1.91
2064600031		18 AWG			2.51	2.31	2.39	2.18
2064600041		16 AWG			2.97	2.67	2.70	2.70
2064600012	OPTION 2	26-30 AWG	CHAIN	NO	2.10	1.91	1.65	1.47
2064600022		20-24 AWG			2.51	2.31	2.08	1.91
2064600032		18 AWG			2.51	2.31	2.39	2.18
2064600042		16 AWG			2.97	2.67	2.70	2.70
2064600013	OPTION 3	26-30 AWG	CHAIN	NO	2.10	1.91	1.65	1.47
2064600023		20-24 AWG			2.51	2.31	2.08	1.91
2064600033		18 AWG			2.51	2.31	2.39	2.18
2064600043		16 AWG			2.97	2.67	2.70	2.70

NOTES:

- MATERIAL: HIGH COPPER ALLOY
- PLATING :
 - OPTION 1: TIN 2.5 μm MIN OVER ALL, OVER NICKEL 1.25 μm MIN OVERALL
 - OPTION 2: 0.38μm(15μ") MIN GOLD CONTACT AREA, 1.52μm(60μ")MIN MATTE TIN CRIMP AREA, OVER NICKEL 1.27μm(50μ")MIN OVERALL
 - OPTION 3: 0.76μm(30μ") MIN GOLD CONTACT AREA, 1.52μm(60μ")MIN MATTE TIN CRIMP AREA, OVER NICKEL 1.27μm(50μ")MIN OVERALL
- PRODUCT SPECIFICATION: 2064600000-PS
- PACKAGING SPECIFICATION: 2064600000-PK
- TERMINAL FOR USE IN RECEPTACLE SERIES 206461
- COSMETIC SPECIFICATION: PS-45499-002 CLASS B

THIS DRAWING CONTAINS INFORMATION THAT IS PROPRIETARY TO MOLEX ELECTRONIC TECHNOLOGIES, LLC AND SHOULD NOT BE USED WITHOUT WRITTEN PERMISSION									
DIMENSION UNITS mm		SCALE NTS		CURRENT REV DESC:				molex	
GENERAL TOLERANCES (UNLESS SPECIFIED)				EC NO: 758590					
ANGULAR TOL ± 3.0°				DRWN: ZIXUAG 2023/08/02				FEMALE TERMINAL MICRO-FIT + SOLUTION	
4 PLACES ±				CHK'D: XQZHANG 2023/08/09					
3 PLACES ±				APPR: XQZHANG 2023/08/09				PRODUCT CUSTOMER DRAWING	
2 PLACES ± 0.25				INITIAL REVISION:					
1 PLACE ± 0.35				DRWN: SMAHAJANSHET 2018/05/08				DOCUMENT NUMBER 2064600000-SD	
0 PLACES ±				APPR: NCSR 2019/04/02					
DRAFT WHERE APPLICABLE MUST REMAIN WITHIN DIMENSIONS		THIRD ANGLE PROJECTION		DRAWING D-SIZE		SERIES 206460		DOC PART 000	
						MATERIAL NUMBER SEE TABLE		REVISION A4	
						CUSTOMER GENERAL MARKET		SHEET NUMBER 1 OF 1	