

产品编号 : [2074580004](#)

Product Description : KK Plus 396
Receptacle Housing, 3.96mm Pitch, Single
Row, 4 Circuits, UL 94V-0, Black

系列号 : 207458

状态 : Active

Product Category : Connector Housings



文件和资源

图纸

[图纸 2074580004_sd.pdf](#)

[包装设计图 2074580000-PK-000.pdf](#)

3D 模型和设计文件

[3D模型 2074580004_stp.zip](#)

规格

[产品规格 2074580000-PS-000.pdf](#)

[产品规格 2074580000-PS-CH-000.pdf](#)

[产品规格 2074580000-PS-ES-000.pdf](#)


[产品规格 2074580000-PS-JP-000.pdf](#)

[产品规格 2074580000-PS-SK-000.pdf](#)

[产品规格 2074580000-TS-000.pdf](#)

产物环境合规

合规

GADSL/IMDS	Not Relevant
China RoHS	
EU ELV	Not Relevant
Low-Halogen Status	Not Low-Halogen per IEC 61249-2-21
REACH SVHC	Not Contained per D(2023)3788-DC (14 Jun 2023)
EU RoHS	Compliant per EU 2015/863

多部分产品合规性声明

- Eu RoHS

- REACH SVHC

- Low-Halogen

多部分行业合规性文件

- IPC 1752A Class C

- IPC 1752A Class D

- Molex Product Compliance Declaration

- IEC-62474

- chemSHERPA (xml)

欧盟 RoHS 合格证书

产品详情

常规

状态	活动
类别	Connector Housings
系列	207458
说明	KK Plus 396 Receptacle Housing, 3.96mm Pitch, Single Row, 4 Circuits, UL 94V-0, Black
应用	Power, Wire-to-Board
产品系列	KK Interconnect Systems
产品名称	KK Plus
UPC	191130115587

机构

UL	E29179
----	--------

物理

电路数 (最多)	4
颜色-树脂	黑色
阻燃性	94V-0
性别	Receptacle
符合灼热丝规范	是
锁定插接部位	是
材料 - 树脂	Nylon
净重	1.480/g
行数	1
包装形式	Bag

面板安装式	否
间距 - 插配接口	3.96mm
间距 - 终端界面	3.96mm
有极性的插配件	是
可堆叠的	否
运行温度范围	-40° to +105° C

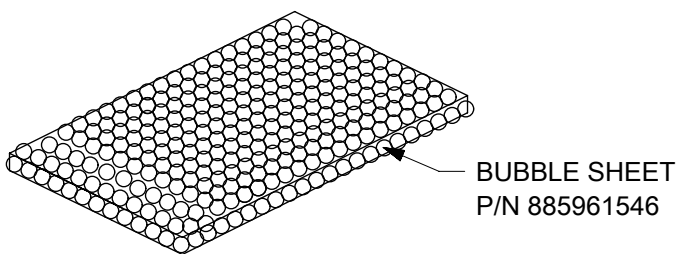
可配插/可连接使用的产品

可配插部件

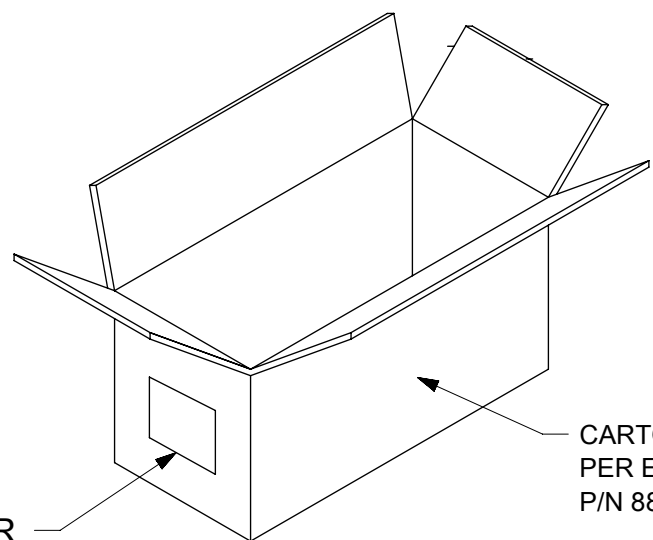
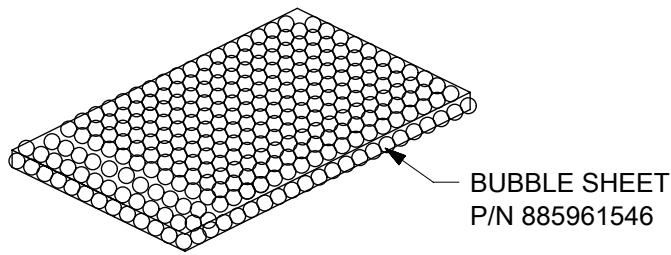
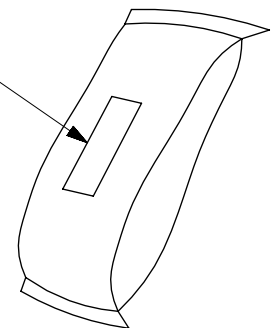
描述	产品编号
KK Plus 396 Vertical Unshrouded Headers	<u>207478</u>
KK Plus 396 Vertical Shrouded Headers	<u>207479</u>

可连接使用部件

描述	产品编号
Female Crimp Terminal for 3.96mm Pitch Housing, 18 to 20 AWG, Pre-Tinned Plating, Reel	<u>/content/molex/molex-dot-com/cn/zh/products/product-page.html/455703000.html</u>
Female Crimp Terminal for 3.96mm Pitch Housing, 18 to 20 AWG, Tin (Sn) over Nickel (Ni) Plating, Reel	<u>/content/molex/molex-dot-com/cn/zh/products/product-page.html/455703002.html</u>
Female Crimp Terminal for 3.96mm Pitch Housing, 18 to 20 AWG, Pre-Tinned Plating, Bag	<u>/content/molex/molex-dot-com/cn/zh/products/product-page.html/455703050.html</u>
Female Crimp Terminal for 3.96mm Pitch Housing, 18 to 20 AWG, Tin (Sn) over Nickel (Ni) Plating, Bag	<u>/content/molex/molex-dot-com/cn/zh/products/product-page.html/455703052.html</u>
KK Plus 396 Terminal Position Assurance (TPA) Retainers	<u>207459</u>



LABEL PER
ES-40000-7012



LABEL PER
ES-40000-7012

TABLE

CIRCUIT SIZE	PART NUMBER	PARTS PER CARTON
2	2074580002	2000
3	2074580003	1700
4	2074580004	1500
5	2074580005	1100
6	2074580006	1000

NOTES:

1. SEAL THE POLYBAG
2. WRAP POLYBAG WITH TWO BUBBLE SHEETS (885961546)
3. PACKAGING QUANTITY DETAILS ARE PROVIDED IN TABULAR COLUMN

SYMBOLS	THIS DRAWING CONTAINS INFORMATION THAT IS PROPRIETARY TO MOLEX ELECTRONIC TECHNOLOGIES, LLC AND SHOULD NOT BE USED WITHOUT WRITTEN PERMISSION											
	DIMENSION UNITS		SCALE		CURRENT REV DESC:							
	mm		NTS		EC NO: 706747							
	GENERAL TOLERANCES (UNLESS SPECIFIED)					DRWN: SHRUTJ 2022/04/27						
	ANGULAR TOL ± °					CHK'D: SHRUTJ 2022/05/13						
4 PLACES ±					APPR: ISHWARG 2022/05/13							
3 PLACES ±					INITIAL REVISION:							
2 PLACES ±					DRWN: SSHANMUGAN01 2018/05/08							
1 PLACE ±					APPR: NCSR 2019/02/12							
0 PLACES ±					DOCUMENT NUMBER		DOC TYPE		DOC PART	REVISION		
DRAFT WHERE APPLICABLE MUST REMAIN WITHIN DIMENSIONS					THIRD ANGLE PROJECTION		DRAWING	SERIES	MATERIAL NUMBER	CUSTOMER	SHEET NUMBER	
							B-SIZE	207458	SEE TABLE	GENERAL MARKET	1 OF 1	
					2074580000-PK					PDD	000	B1