

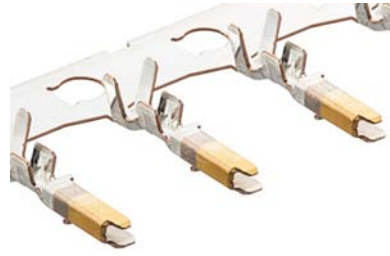
产品编号 : 2130281000

Product Description : CLIK-Mate 1.50mm Pitch Crimp Terminal, Male, 0.10µm Gold Plating, 24-26 AWG, Reel

系列号 : 213028

状态 : Active

Product Category : Crimp Terminals



## 文件和资源

### 图纸

图纸 [2130281000\\_sd.pdf](#)

### 规格

包装规格 [2130289200-SPK-200.pdf](#)

产品规格 [5025781004-PS-000.pdf](#)


产品规格 [5031491002-PS-000.pdf](#)

产品规格 [5025780004-PS-000.pdf](#)

产品规格 [5031490002-PS-000.pdf](#)

## 产物环境合规

### 合规

GADSL/IMDS	Not Relevant
China RoHS	
EU ELV	Not Relevant
Low-Halogen Status	Low-Halogen per IEC 61249-2-21
REACH SVHC	Not Contained per D(2023)3788-DC (14 Jun 2023)
EU RoHS	Compliant per EU 2015/863

### 多部分产品合规性声明

- Eu RoHS
- REACH SVHC
- Low-Halogen

### 多部分行业合规性文件

- IPC 1752A Class C
- IPC 1752A Class D

- Molex Product Compliance Declaration

- IEC-62474

- chemSHERPA (xml)

欧盟 RoHS 合格证书

---

## 产品详情

### 常规

状态	活动
类别	Crimp Terminals
系列	213028
说明	CLIK-Mate 1.50mm Pitch Crimp Terminal, Male, 0.10 $\mu$ m Gold Plating, 24-26 AWG, Reel
应用	Signal, Wire-to-Board
产品系列	CLIK-Mate Wire-to-Board Connectors
产品名称	CLIK-Mate
UPC	193264238569

### 电气

每触点最大电流	2.0A
电压 - 最大	100V AC (RMS)/DC

### 物理

耐用性(插拔次数) - 最多次数	30
性别	男
材料 - 金属	Copper Alloy
材料 - 接合部位电镀	金牌
材料 - 终端电镀	金牌
净重	22.967/mg
包装形式	Reel
最薄镀层 - 接合部位	0.102 $\mu$ m
终端界面类型	Crimp or Compression
导线绝缘直径	1.00-1.28mm
线径规格 (AWG)	24, 26
线缆尺寸mm <sup>2</sup>	不适用

---

## 可连接使用部件

描述	产品编号
1.50mm Pitch CLIK-Mate Dual Row Plug Housings	<u>503149</u>

---

## 施工工具

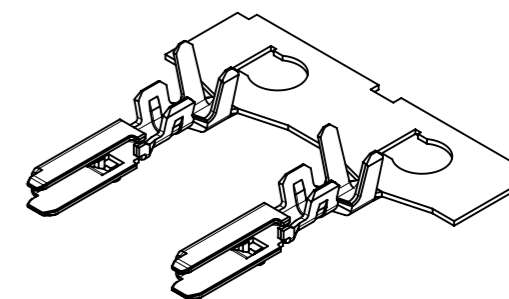
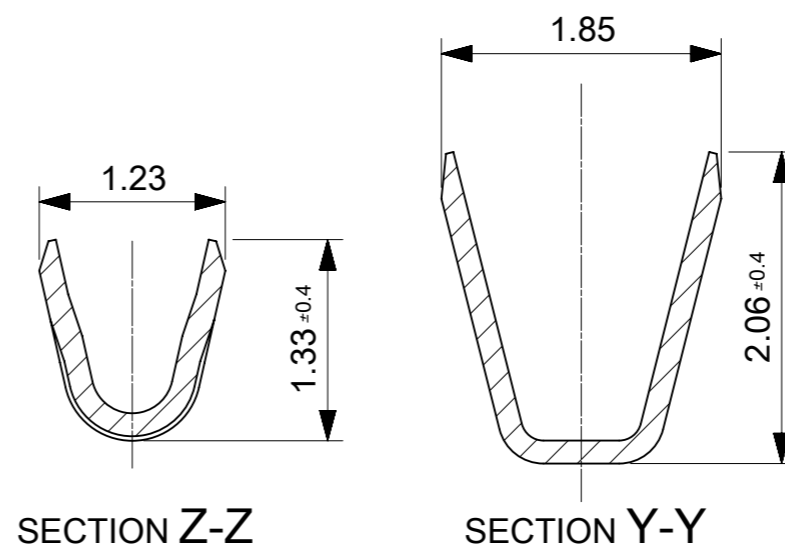
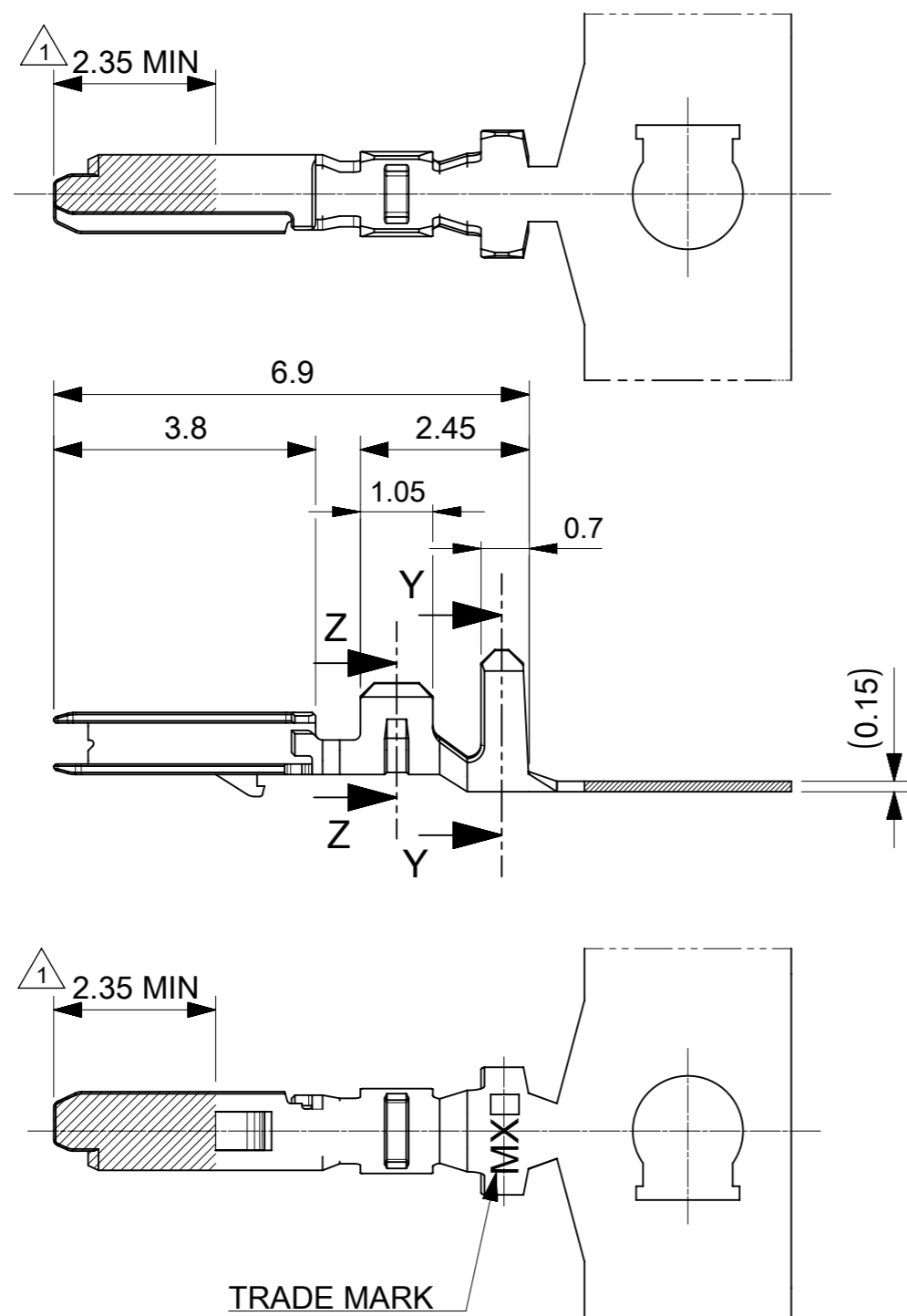
### 全局

描述	产品编号
Hand Crimp Tool for 1.50mm Pitch CLIK-Mate Wire-to-Board Crimp Terminals, 24-28 AWG	<u>2002187400</u>
Extractor Tool for 1.50mm Pitch Wire-to-Board Crimp Terminal	<u>0638133700</u>
FineAdjust Applicator for 1.50mm Pitch Wire-to-Board Crimp Terminals	<u>0639025000</u>

## 施工工具

### 日本

描述	产品编号
S-1 Applicator for CLIK-Mate Plug Terminals, 24-28 AWG	<u>5780473700</u>



**NOTES**

△ 図示の斜線部の範囲は、接点部のため傷、打痕、汚れなどをつけないようにしてください  
 PLEASE DON'T DAMAGE, DON'T DENT, AND DON'T MAKE IT DIRTY, BECAUSE THE RANGE IN THE HATCHING AREA SHOWN IN FIGURE IS THE CONTACT AREA.

2. 適用電線違い：213029シリーズ(ケーブルサイズ：AWG #26-28)  
 SIMILAR PRODUCT THAT DIFFERENCE IS APPLICABLE CABLE SIZE: 213029 SERIES (CABLE SIZE: AWG #26-28)

TABLE 1

Ø1.00-1.28mm	AWG#24-26	0.76micro-meters MIN	ポリ袋 POLY BAG	バラ状 LOOSE	213028 7100
			リール REEL	連鎖状 CHAIN	213028 7000
		0.38micro-meters MIN	ポリ袋 POLY BAG	バラ状 LOOSE	213028 3100
			リール REEL	連鎖状 CHAIN	213028 3000
		0.10micro-meters MIN	ポリ袋 POLY BAG	バラ状 LOOSE	213028 1100
			リール REEL	連鎖状 CHAIN	213028 1000
絶縁被覆外径範囲 INS RANGE	適用電線範囲 WIRE RANGE	接点部金めっき厚 PLATING THK AT CONTACT AREA	梱包形態 PACKAGING	端子形状 FORM	オーダー番号 ORDER No

部品 PART	材質 MATERIAL	
ターミナル TERMINAL	銅合金 COPPER ALLOY	
	コンタクト部 CONTACT AREA	金めっき：表参照(前めっき) GOLD PLATING: SEE CHART (PRE-PLATING)
	圧着部 CRIMPING AREA	錫めっき リフロー処理(前めっき) MATTE TIN PLATING REFLOW TREATMENT (PRE-PLATING)
	ニッケルめっき(下地)：1.27 micro-meters MIN NICKEL (UNDER PLATING)	

DOCUMENT STATUS P1 RELEASE DATE 2019/11/20 09:03:09

THIS DRAWING CONTAINS INFORMATION THAT IS PROPRIETARY TO MOLEX ELECTRONIC TECHNOLOGIES, LLC AND SHOULD NOT BE USED WITHOUT WRITTEN PERMISSION

DIMENSION UNITS mm	SCALE NTS	CURRENT REV DESC:		
GENERAL TOLERANCES (UNLESS SPECIFIED)		 CLIK-MATE 1.5 CRIMP TERM GOLD 24-26		
ANGULAR TOL	± 3.0°			
4 PLACES	± 0.2	EC NO: 627408		
3 PLACES	± 0.2	DRWN: MIKEDA01 2019/10/01		
2 PLACES	± 0.2	CHK'D: SAKIYAMA 2019/11/15		
1 PLACE	± 0.2	APPR: KOMURAKAMI 2019/11/20		
0 PLACES	± 0.2	INITIAL REVISION:		
DRAFT WHERE APPLICABLE MUST REMAIN WITHIN DIMENSIONS		THIRD ANGLE PROJECTION	DRAWING	SERIES
			A3-SIZE	213028
		MATERIAL NUMBER	CUSTOMER	SHEET NUMBER
		SEE CHART		1 OF 2

# 適用製品及び各種仕様書

## APPLICABLE PRODUCTS AND VARIOUS SPECIFICATIONS

梱包仕様書 PACKING SPECIFICATION	PART NUMBER 213028 **00	SPECIFICATION NUMBER 2130289200-SPK
--------------------------------	----------------------------	--

適用ハウジング APPLICABLE HOUSING	SINGLE TYPE	
シリーズ番号 SERIES No	502578	
適用嵌合相手 MATE WITH	SMT	
	GOLD PLATING	
	VERTICAL	RIGHT ANGLE
シリーズ番号 SERIES No	213225	213226
製品仕様書 PRODUCT SPECIFICATION	5025780004-PS	
取扱説明書 APPLICATION SPECIFICATION	AS-502578-001(JAPANESE)/-002(ENGLISH)	

適用ハウジング APPLICABLE HOUSING	DUAL TYPE	
シリーズ番号 SERIES No	503149	
適用嵌合相手 MATE WITH	SMT	
	GOLD PLATING	
	VERTICAL	RIGHT ANGLE
シリーズ番号 SERIES No	213227	213228
製品仕様書 PRODUCT SPECIFICATION	5031490001-PS	
取扱説明書 APPLICATION SPECIFICATION	AS-503149-001(Japanese) 5031490000/PS/000 (English)	

THIS DRAWING CONTAINS INFORMATION THAT IS PROPRIETARY TO MOLEX ELECTRONIC TECHNOLOGIES, LLC AND SHOULD NOT BE USED WITHOUT WRITTEN PERMISSION										
DIMENSION UNITS	SCALE	CURRENT REV DESC:				molex				
mm	NTS									
GENERAL TOLERANCES (UNLESS SPECIFIED)		EC NO: 627408 DRWN: MIKEDA01      2019/10/01 CHK'D: SAKIYAMA      2019/11/15 APPR: KOMURAKAMI      2019/11/20 INITIAL REVISION: DRWN: MIKEDA01      2019/10/01 APPR: KOMURAKAMI      2019/11/20				CLIK-MATE 1.5 CRIMP TERM GOLD 24-26				
ANGULAR TOL	± 3.0 °					PRODUCT CUSTOMER DRAWING				
4 PLACES	± 0.2					DOCUMENT NUMBER		DOC TYPE	DOC PART	REVISION
3 PLACES	± 0.2					2130280000-SD		PSD	000	A
2 PLACES	± 0.2					MATERIAL NUMBER		CUSTOMER		SHEET NUMBER
1 PLACE	± 0.2					SEE CHART				2 OF 2
0 PLACES	± 0.2	DRAWING		SERIES	MATERIAL NUMBER					
DRAFT WHERE APPLICABLE MUST REMAIN WITHIN DIMENSIONS		THIRD ANGLE PROJECTION	DRAWING	SERIES	MATERIAL NUMBER		CUSTOMER			
			A3-SIZE	213028	SEE CHART					