



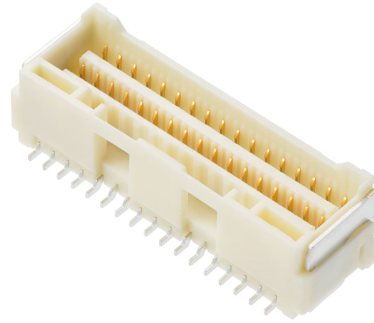
产品编号 : [2132270830](#)

Product Description : 1.50mm Pitch CLIK-Mate Wire-to-Board PCB Receptacle, Dual Row, Surface Mount, Vertical, 0.38µm Gold (Au) Plating, 8 Circuits, Natural

系列号 : 213227

状态 : Active

Product Category : PCB Headers and Receptacles



文件和资源

图纸

[图纸 2132270830_sd.pdf](#)

3D 模型和设计文件

[3D模型 2132270830_stp.zip](#)

规格


[包装规格 2132279200-SPK-200.pdf](#)

[产品规格 5031491002-PS-000.pdf](#)

[产品规格 5031490002-PS-000.pdf](#)

产物环境合规

合规

GADSL/IMDS	Compliant with Exemption 44; 33
China RoHS	
EU ELV	Not Relevant
Low-Halogen Status	Not Low-Halogen per IEC 61249-2-21
REACH SVHC	Not Contained per D(2023)3788-DC (14 Jun 2023)
EU RoHS	Compliant per EU 2015/863

多部分产品合规性声明

- Eu RoHS
- REACH SVHC
- Low-Halogen

多部分行业合规性文件

- IPC 1752A Class C
- IPC 1752A Class D
- Molex Product Compliance Declaration
- IEC-62474
- chemSHERPA (xml)

欧盟 RoHS 合格证书

产品详情

常规

状态	活动
类别	PCB Headers and Receptacles
系列	213227
说明	1.50mm Pitch CLIK-Mate Wire-to-Board PCB Receptacle, Dual Row, Surface Mount, Vertical, 0.38µm Gold (Au) Plating, 8 Circuits, Natural
应用	Signal, Wire-to-Board
元件类型	PCB Receptacle
产品系列	CLIK-Mate Wire-to-Board Connectors
产品名称	CLIK-Mate
UPC	193264242603

电气

每触点最大电流	2.0A
电压 - 最大	100V AC (RMS)/DC

物理

回路数 (已载入)	8
电路数 (最多)	8
颜色-树脂	Natural
耐用性(插拔次数) - 最多次数	30
符合灼热丝规范	否
可配插产品指南	是
插接极性	是
锁定插接部位	是

材料 - 金属	Copper Alloy
材料 - 接合部位电镀	金牌
材料 - 树脂	Polyamide
净重	1080.000/mg
行数	2
方向	垂直
包装形式	Embossed Tape on Reel
PCB 定位器	否
PCB 保持力	是
间距 - 插配接口	1.50mm
间距 - 终端界面	1.50mm
最薄镀层 - 接合部位	0.381µm
最薄镀层 - 端接	0.381µm
有极性的插配件	是
PCB 极性	否
可堆叠的	否
运行温度范围	-40° to +105° C
终端界面类型	Surface Mount

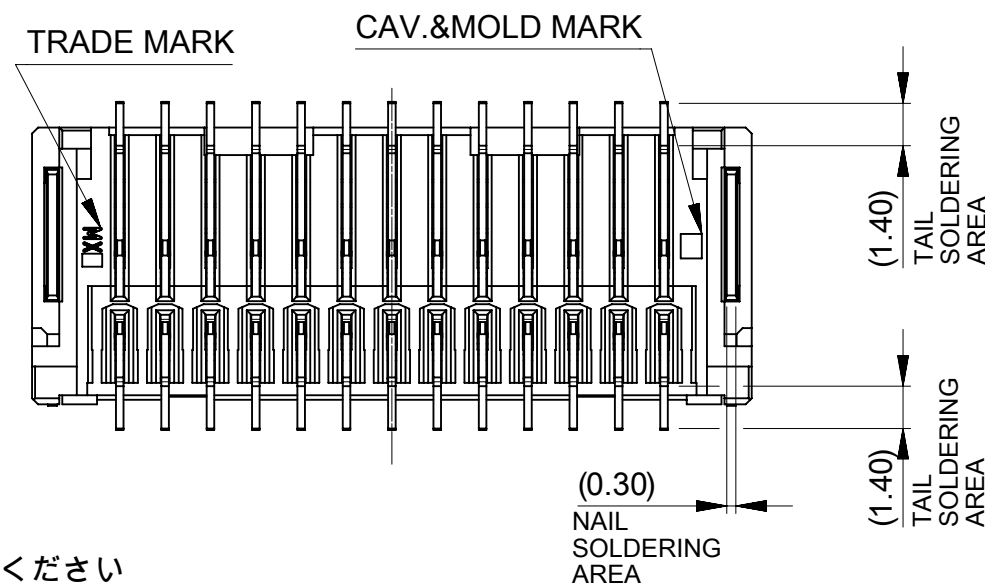
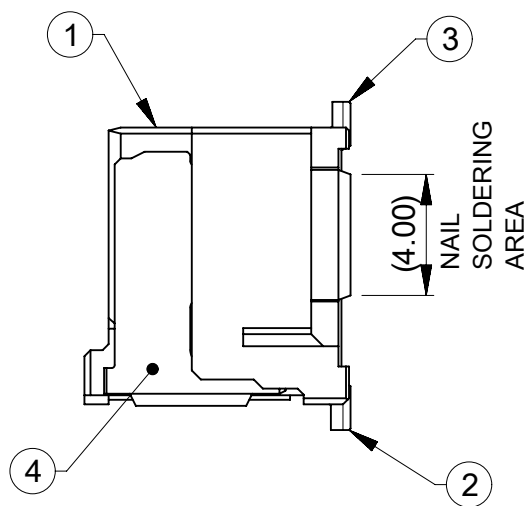
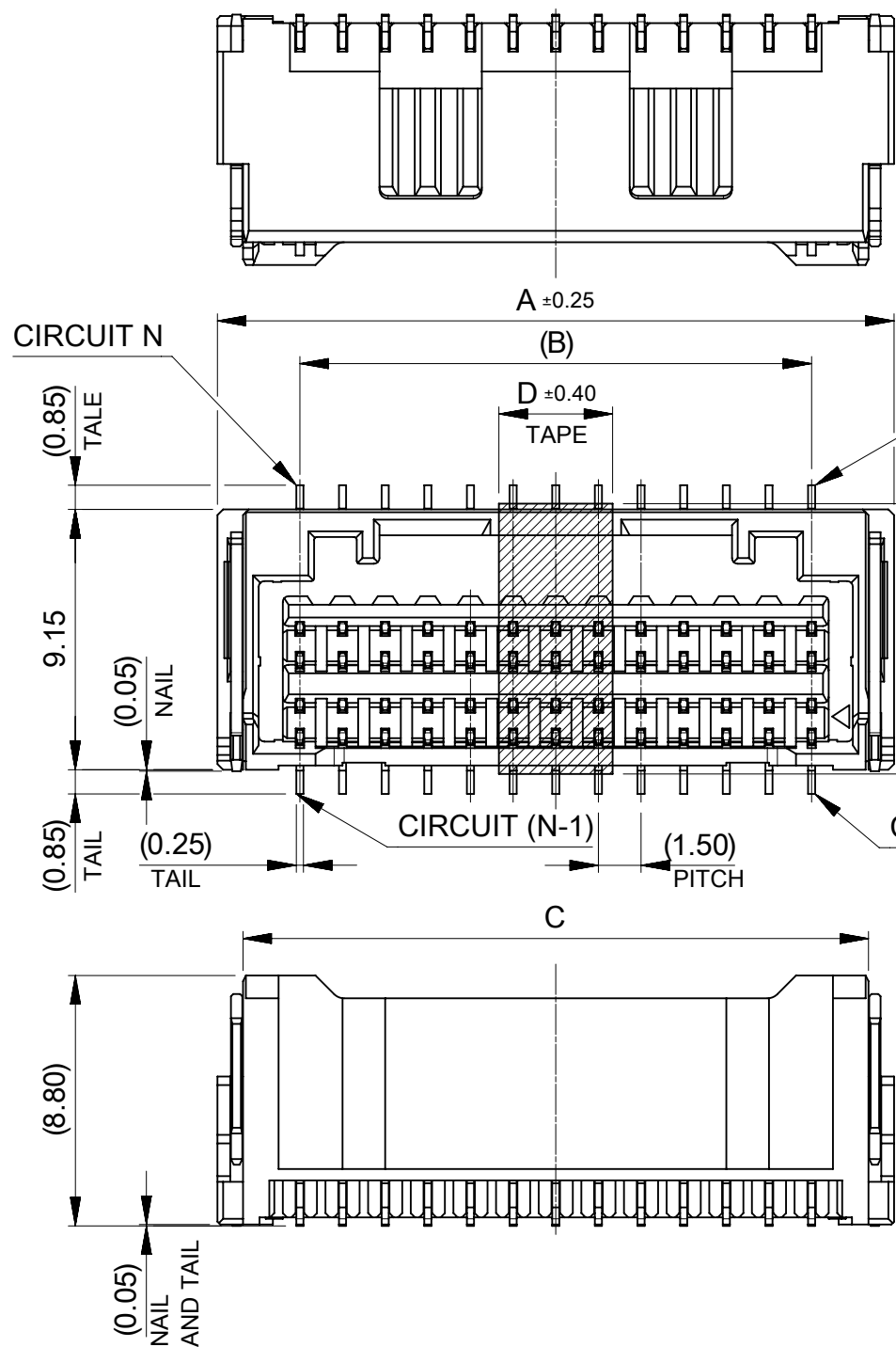
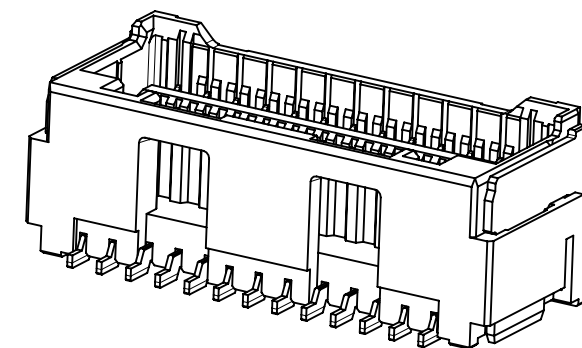
可配插/可连接使用的产品

可配插部件

描述	产品编号
1.50mm Pitch CLIK-Mate Dual Row Plug Housings	<u>503149</u>

NOTE

- 1. 端子テール部およびネイルの平坦度: 0.1mm MAX
TAIL AND NAIL COPLANARITY TO BE 0.1mm MAX
- 2. (極数/2) = 偶数 に適用
APPLY FOR (CIRCUIT SIZE/2) = EVEN.
- 3. 関連製品・書類はSHEET5を参照ください
REFER TO SHEET 5 ABOUT RELATED PRODUCTS AND DOCUMENTS.



4. オーダー番号(製品番号): SHEET 6の製品一覧を参照ください
ORDER No. (PRODUCT No.) : REFER TO SHEET 6 FOR PRODUCT LIST.

213227 * * * *
 シリーズ番号 極数 色
 SERIES NO CIRCUIT SIZE GOLD PLATING THICKNESS COLOR

CIRCUIT	No.	GOLD THK [micro-meter]	No.	COLOR
08 ~ 34	1	0.1	0	ナチュラル NATURAL
	3	0.38	1	黒 BLACK
	7	0.76		

5	28.0	±0.25	24.0	29.8	34
	26.5		22.5	28.3	32
4	25.0	±0.25	21.0	26.8	30
	23.5		19.5	25.3	28
	22.0		18.0	23.8	26
	20.5		16.5	22.3	24
	19.0		15.0	20.8	22
	17.5		13.5	19.3	20
	16.0		12.0	17.8	18
3	14.5	±0.2	10.5	16.3	16
	13.0		9.0	14.8	14
	11.5		7.5	13.3	12
D	10.0	±0.2	6.0	11.8	10
	8.5		4.5	10.3	8
			B	A	極数 CKT NO

番号 NO	部品 PART	材質 MATERIAL	
①	ハウジング HOUSING	ポリアミド(PA) UL94V-0 色 : SEE CHART POLYAMIDE(PA) UL94V-0 COLOR : SEE CHART	
②	ターミナル TERMINAL	銅合金 COPPER ALLOY	
		コンタクト部 CONTACT AREA	金めっき : 製品一覧参照 GOLD PLATING : SEE PRODUCT LIST
		テール部 TAIL AREA	無光沢錫めっき : 1.0 micro-meter MIN MATTE TIN PLATING : 1.0 micro-meter MIN
④	ネイル NAIL	下地めっき(全面) UNDER PLATING (WHOLE SURFACE)	ニッケルめっき : 1.0 micro-meter MIN NICKEL PLATING : 1.0 micro-meter MIN
		黄銅 BRASS	
		無光沢錫めっき : 1.0 micro-meter MIN MATTE TIN PLATING	
		ニッケルめっき(下地) : 1.0 micro-meter MIN NICKEL PLATING (UNDER PLATING)	

THIS DRAWING CONTAINS INFORMATION THAT IS PROPRIETARY TO MOLEX ELECTRONIC TECHNOLOGIES, LLC AND SHOULD NOT BE USED WITHOUT WRITTEN PERMISSION

DIMENSION UNITS: mm SCALE: NTS

GENERAL TOLERANCES (UNLESS SPECIFIED):
 ANGULAR TOL ± 3.0°
 4 PLACES ± 0.2
 3 PLACES ± 0.2
 2 PLACES ± 0.2
 1 PLACE ± 0.2
 0 PLACES ± 0.2

DRAFT WHERE APPLICABLE MUST REMAIN WITHIN DIMENSIONS

THIRD ANGLE PROJECTION

DRAWING: A3-SIZE

SERIES: 213227

MATERIAL NUMBER: SEE CHART

CUSTOMER: GENERAL

SHEET NUMBER: 1 OF 6

CURRENT REV DESC:
 EC NO: 742719
 DRWN: MIKEDA01 2023/06/23
 CHK'D: SAKIYAMA 2023/06/23
 APPR: AIDA 2023/06/23

INITIAL REVISION:
 DRWN: MIKEDA01 2019/10/01
 APPR: KOMURAKAMI 2019/11/20

DOCUMENT NUMBER: 2132270000-SD

DOC TYPE: PSD

DOC PART: 000

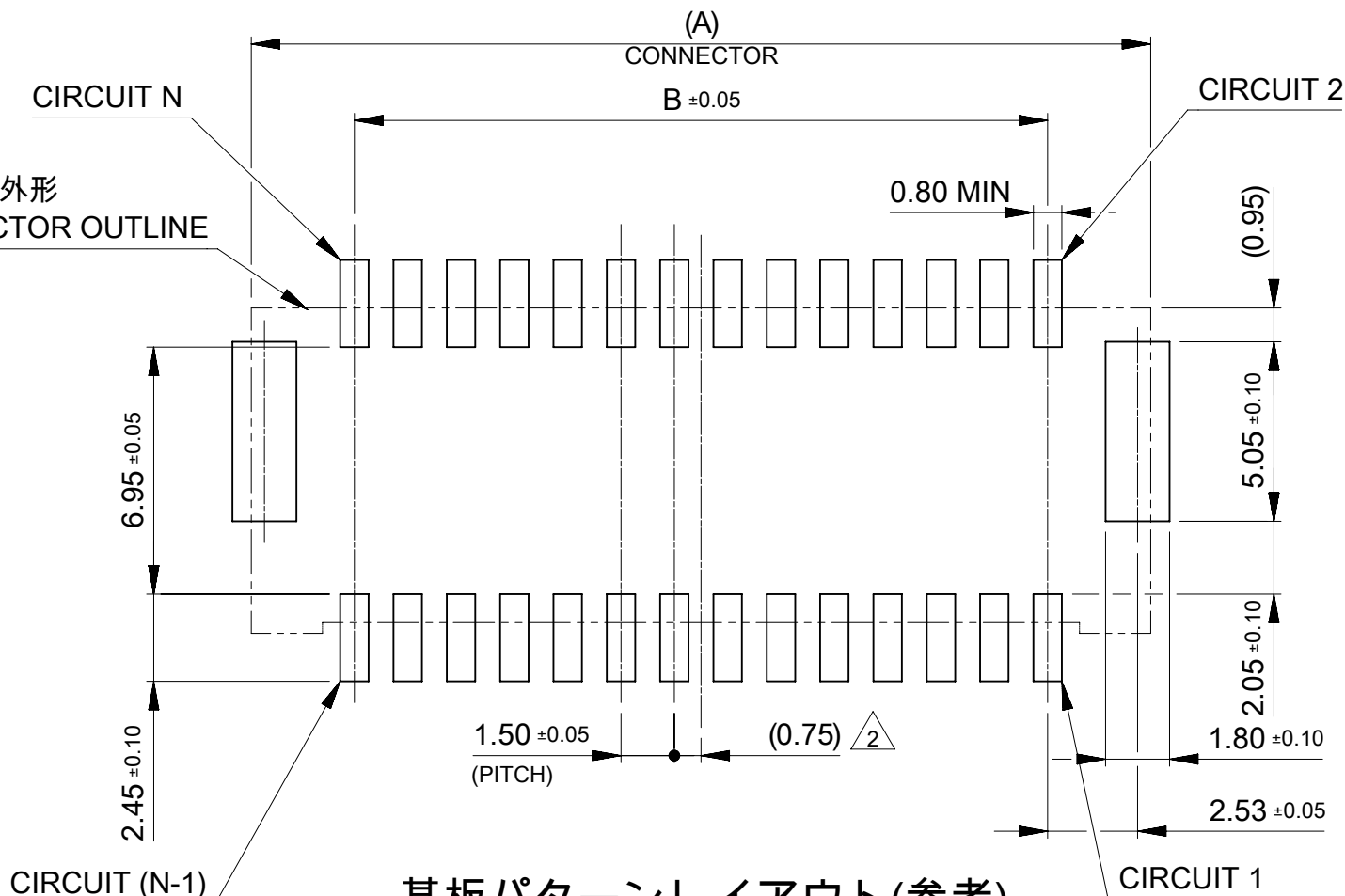
REVISION: D

molex

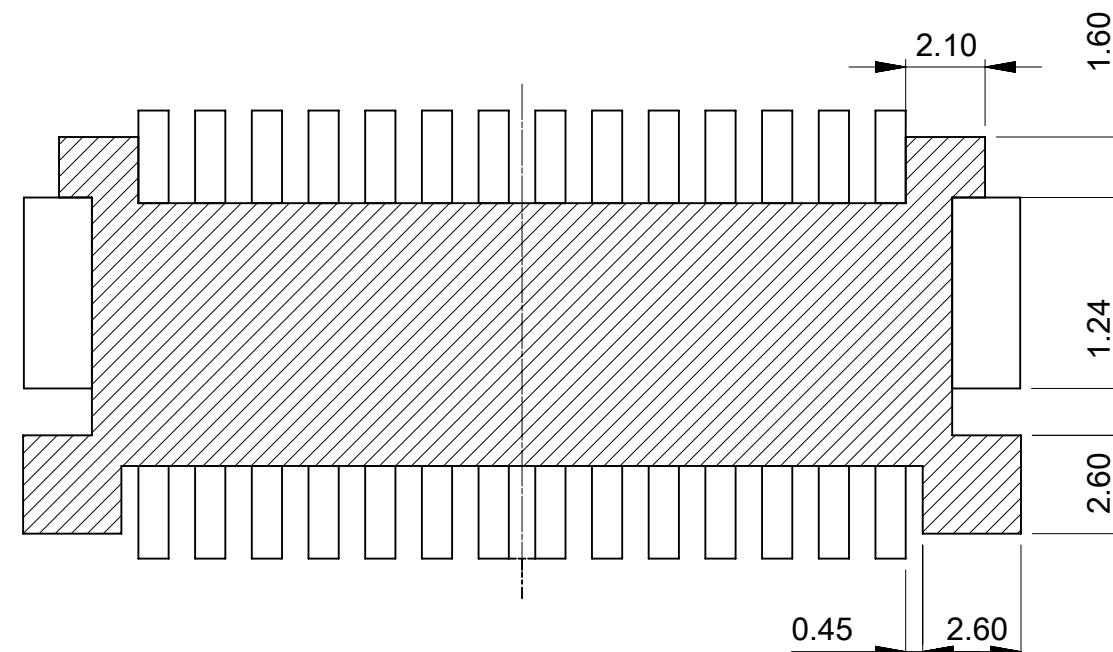
CLIK-MATE 1.5
DUAL ROW SMT VT TYPE GOLD PLATING

PRODUCT CUSTOMER DRAWING

コネクタ外形
CONNECTOR OUTLINE



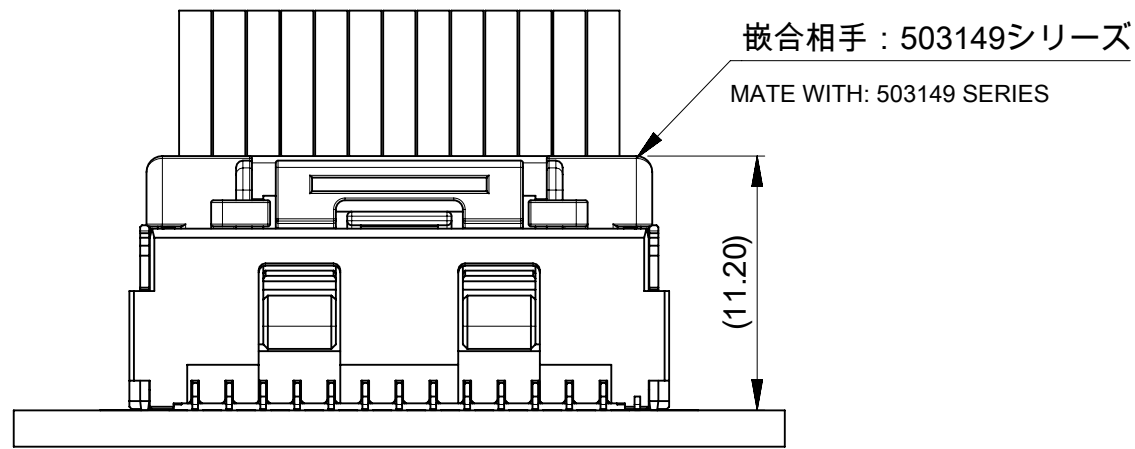
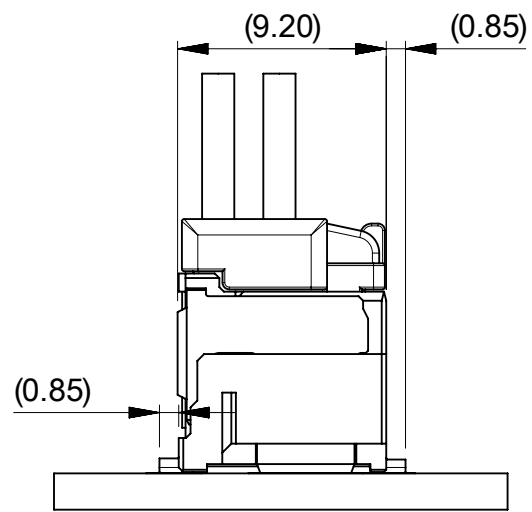
基板パターンレイアウト(参考)
 RECCOMENDED PCB PATTERN LAYOUT (REF.)
 (参考 : メタルマスク厚さ 0.10mm, マスク開口率100%)
 (REFERENCE: METAL MASK THICKNESS 0.10MM, APERTURE RATIO 100%)



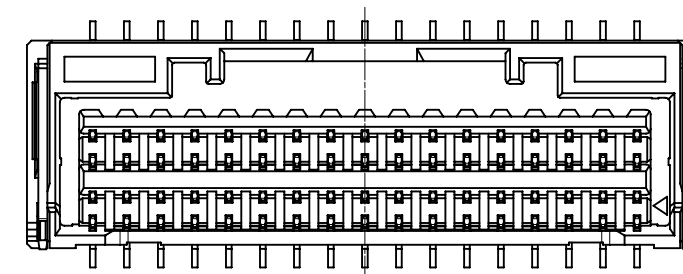
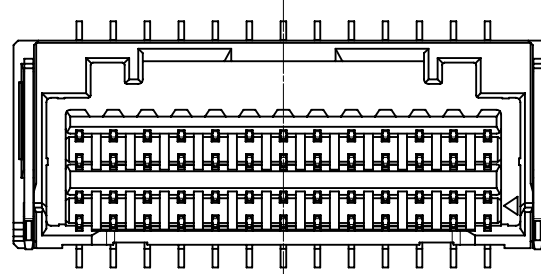
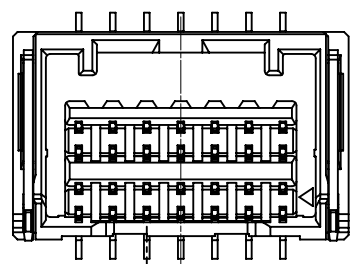
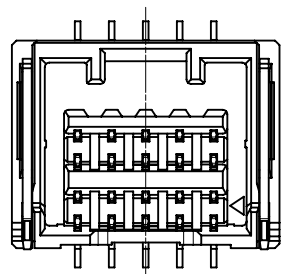
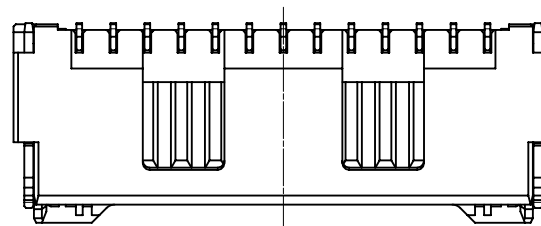
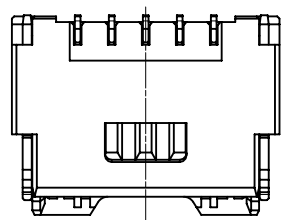
パターン非推奨エリア

パターンを引き回す際は、製品機能に影響がないことをご確認ください。
 PATTERN IS NOT RECCOMENDED ON THE HATCHED AREA.
 PLEASE CHECK NOT TO HAVE PROBLEM FOR PRODUCT FUNCTION
 WHEN SETTING PATTERN ON THE HATCHED AREA.

THIS DRAWING CONTAINS INFORMATION THAT IS PROPRIETARY TO MOLEX ELECTRONIC TECHNOLOGIES, LLC AND SHOULD NOT BE USED WITHOUT WRITTEN PERMISSION									
DIMENSION UNITS mm		SCALE NTS		CURRENT REV DESC:				molex	
GENERAL TOLERANCES (UNLESS SPECIFIED)		ANGULAR TOL ± 3.0 °		EC NO: 742719					
4 PLACES ± 0.2		3 PLACES ± 0.2		DRWN: MIKEDA01		2023/06/23		CLIK-MATE 1.5 DUAL ROW SMT VT TYPE GOLD PLATING	
2 PLACES ± 0.2		1 PLACE ± 0.2		CHK'D: SAKIYAMA		2023/06/23		PRODUCT CUSTOMER DRAWING	
0 PLACES ± 0.2		DRAFT WHERE APPLICABLE MUST REMAIN WITHIN DIMENSIONS		APP'R: AIDA		2023/06/23		DOCUMENT NUMBER	
THIRD ANGLE PROJECTION		DRAWING		SERIES		MATERIAL NUMBER		CUSTOMER	
A3-SIZE		213227		2019/10/01		2019/11/20		2132270000-SD	
SHEET NUMBER		2 OF 6		SEE CHART		GENERAL			



嵌合図
MATED CONNECTORS

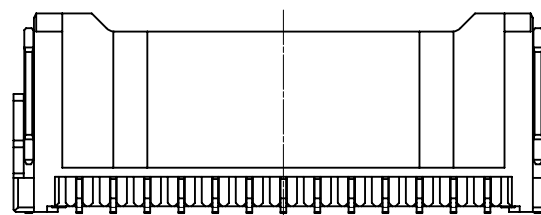
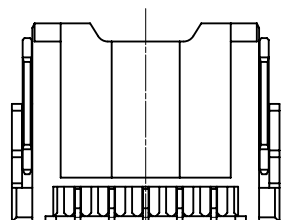


8-10極
8-10 CKT

12-18極
12-18 CKT

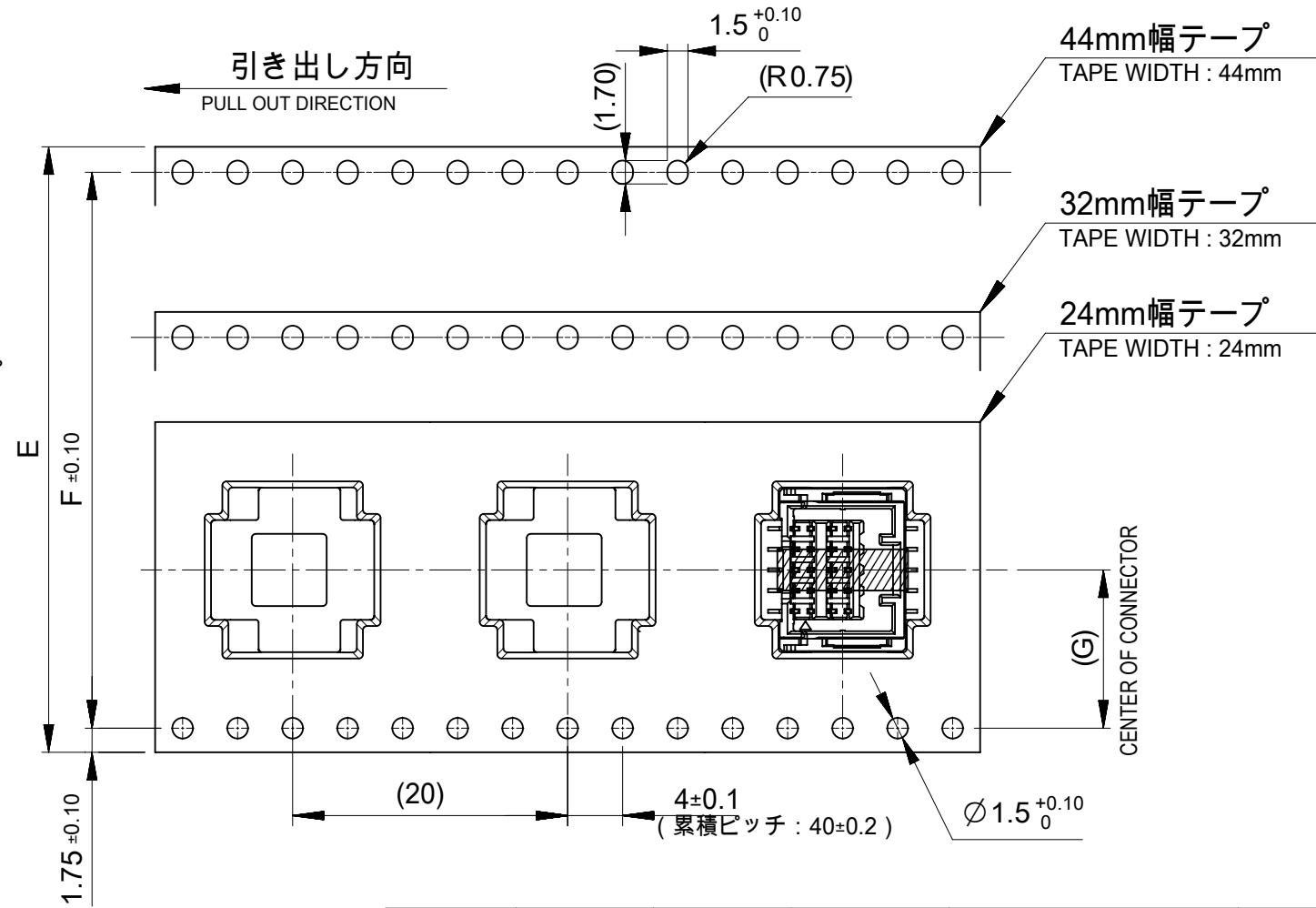
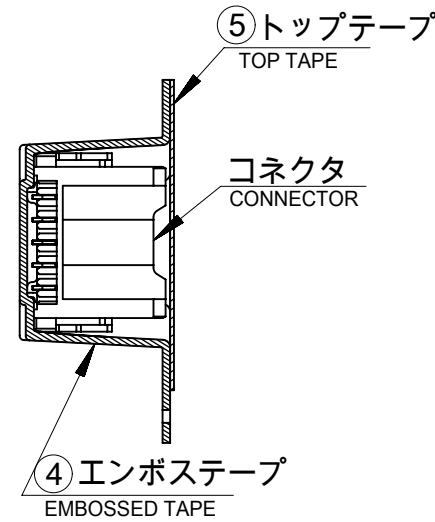
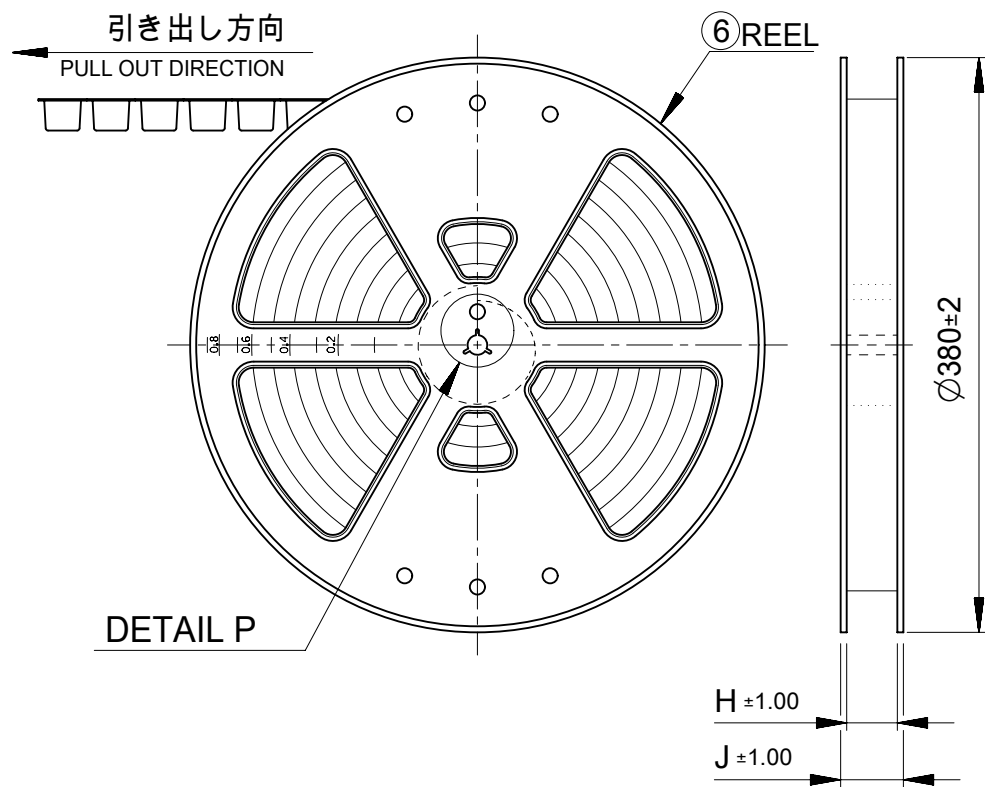
20-28極
20-28 CKT

30-34極
30-34 CKT



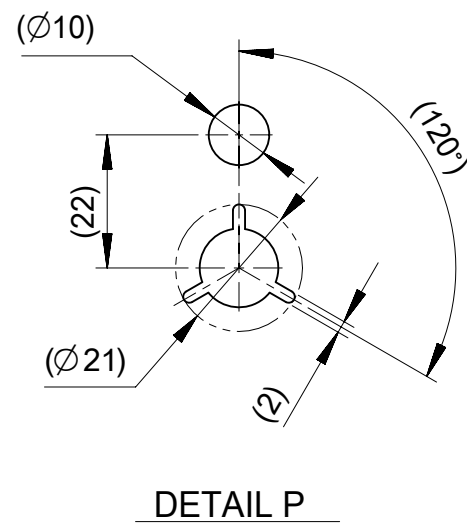
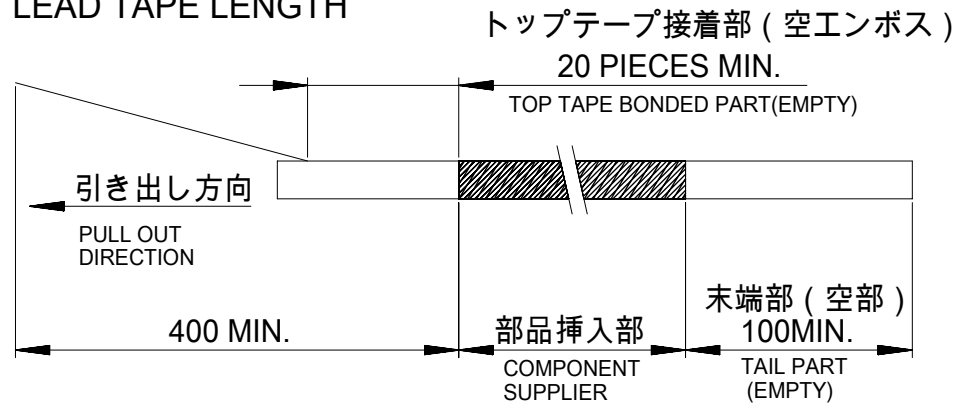
極数別ハウジング形状
HOUSING SHAPE OF EACH CKTS

THIS DRAWING CONTAINS INFORMATION THAT IS PROPRIETARY TO MOLEX ELECTRONIC TECHNOLOGIES, LLC AND SHOULD NOT BE USED WITHOUT WRITTEN PERMISSION		CURRENT REV DESC:		molex	
DIMENSION UNITS	SCALE				
mm	NTS			CLIK-MATE 1.5 DUAL ROW SMT VT TYPE GOLD PLATING	
GENERAL TOLERANCES (UNLESS SPECIFIED)		EC NO: 742719		PRODUCT CUSTOMER DRAWING	
ANGULAR TOL	± 3.0 °	DRWN: MIKEDA01	2023/06/23	DOCUMENT NUMBER	
4 PLACES	± 0.2	CHK'D: SAKIYAMA	2023/06/23	2132270000-SD	
3 PLACES	± 0.2	APPR: AIDA	2023/06/23	DOC TYPE	DOC PART
2 PLACES	± 0.2	INITIAL REVISION:		PSD	000
1 PLACE	± 0.2	DRWN: MIKEDA01	2019/10/01	REVISION	
0 PLACES	± 0.2	APPR: KOMURAKAMI	2019/11/20	D	
DRAFT WHERE APPLICABLE MUST REMAIN WITHIN DIMENSIONS		THIRD ANGLE PROJECTION	DRAWING	SERIES	MATERIAL NUMBER
			A3-SIZE	213227	CUSTOMER
					GENERAL
					SHEET NUMBER
					3 OF 6



NOTE

- 5. 梱包数量 : 450個 / リール
NUMBER OF CONNECTORS : 450 PIECES/REEL
- 6. リードテープ長さ
LEAD TAPE LENGTH



- 7. トップテープの剥離強度はJIS C0806-3に準拠
TOP TAPE PEELING OFF FORCE IS DIFINED BY JIS C0806-3
- 8. 本製品は乾燥剤入り、ハイバリア梱包である
THIS PRODUCT IS DELIVERED IN HIGH BARRIER PACKAGE WITH DESICCANT.

					34
					32
					30
					28
				44±0.3	26
					24
					22
					20
					18
					16
	37.4	33.4	14.2	28.4	32±0.3
					14
					12
	29.4	25.4	11.5	-	24 ^{+0.3} _{-0.1}
					10
					8
J	H	G	F	エンボステープ幅E WIDTH OF TAPE	CKT NO.

THIS DRAWING CONTAINS INFORMATION THAT IS PROPRIETARY TO MOLEX ELECTRONIC TECHNOLOGIES, LLC AND SHOULD NOT BE USED WITHOUT WRITTEN PERMISSION

DIMENSION UNITS	SCALE	CURRENT REV DESC:		molex		
mm	NTS					
GENERAL TOLERANCES (UNLESS SPECIFIED)				CLIK-MATE 1.5 DUAL ROW SMT VT TYPE GOLD PLATING		
ANGULAR TOL ± 3.0°						
4 PLACES	± 0.2	EC NO: 742719	2023/06/23	PRODUCT CUSTOMER DRAWING		
3 PLACES	± 0.2	DRWN: MIKEDA01	2023/06/23			
2 PLACES	± 0.2	CHK'D: SAKIYAMA	2023/06/23	DOCUMENT NUMBER: 2132270000-SD		
1 PLACE	± 0.2	APPR: AIDA	2023/06/23			
0 PLACES	± 0.2	INITIAL REVISION:		DOC TYPE: PSD	DOC PART: 000	REVISION: D
DRAFT WHERE APPLICABLE MUST REMAIN WITHIN DIMENSIONS		THIRD ANGLE PROJECTION	DRAWING: A3-SIZE	SERIES: 213227	MATERIAL NUMBER: SEE CHART	CUSTOMER: GENERAL

番号 No.	部品 PART	材質 MATERIAL
④	エンボステープ EMBOSSSED TAPE	ポリスチレン(PS) POLYSTYLENE
⑤	トップテープ TOP TAPE	ポリエチレン、ポリエチレンテレフタレート POLYETHYLENE (PE), POLYETHYLENE TELEPHTHALATE(PET)
⑥	リール REEL	ポリスチレン (リサイクル材を含む) POLYSTYLENE (CONTAINED RECYCLED MATERIAL)

△ 3 適用製品及び各種仕様書
 APPLICABLE PRODUCTS AND VARIOUS SPECIFICATIONS

梱包仕様書 PACKAGING SPECIFICATION	PART NUMBER 213227 ****	DOCUMENT NUMBER 2132279200-SPK
----------------------------------	----------------------------	-----------------------------------

適用嵌合相手 MATE WITH	HOUSING	TERMINAL (GOLD PLATING)		
		PLATING THK	#24-28	#28-30
製品番号 PRODUCT NUMBER	503149 ****	0.1 micro-meters	213028 1*00	213029 1*00
		0.38 micro-meters	213028 3*00	213029 3*00
		0.76 micro-meters	213028 7*00	213029 7*00
製品仕様書 PRODUCT SPECIFICATION	5031490002-PS/PS/000			
アプリケーション仕様書 APPLICATION SPECIFICATION	AS-503149-001			

THIS DRAWING CONTAINS INFORMATION THAT IS PROPRIETARY TO MOLEX ELECTRONIC TECHNOLOGIES, LLC AND SHOULD NOT BE USED WITHOUT WRITTEN PERMISSION												
DIMENSION UNITS	SCALE	CURRENT REV DESC:				molex						
mm	NTS											
GENERAL TOLERANCES (UNLESS SPECIFIED)		EC NO: 742719 DRWN: MIKEDA01 2023/06/23 CHK'D: SAKIYAMA 2023/06/23 APPR: AIDA 2023/06/23 INITIAL REVISION: DRWN: MIKEDA01 2019/10/01 APPR: KOMURAKAMI 2019/11/20				PRODUCT CUSTOMER DRAWING						
ANGULAR TOL ± 3.0 °						DOCUMENT NUMBER				DOC TYPE	DOC PART	REVISION
4 PLACES ± 0.2						2132270000-SD				PSD	000	D
3 PLACES ± 0.2						MATERIAL NUMBER				CUSTOMER		
2 PLACES ± 0.2						SEE CHART				GENERAL		
1 PLACE ± 0.2						SHEET NUMBER				5 OF 6		
0 PLACES ± 0.2		THIRD ANGLE PROJECTION		DRAWING	SERIES	MATERIAL NUMBER		CUSTOMER				
DRAFT WHERE APPLICABLE MUST REMAIN WITHIN DIMENSIONS				A3-SIZE	213227	SEE CHART		GENERAL				

4 製品一覧
PRODUCTS LIST

黒 BLACK	ナチュラル NATURAL	HOUSING COLOR		
213227 3411	213227 3410	34	213227 **1* (GOLD PLATING THICKNESS: 0.1 micro-meters MIN)	
213227 3211	213227 3210	32		
213227 3011	213227 3010	30		
213227 2811	213227 2810	28		
213227 2611	213227 2610	26		
213227 2411	213227 2410	24		
213227 2211	213227 2210	22		
213227 2011	213227 2010	20		
213227 1811	213227 1810	18		
213227 1611	213227 1610	16		
213227 1411	213227 1410	14		
213227 1211	213227 1210	12		
213227 1011	213227 1010	10		
213227 0811	213227 0810	8		
オーダー番号 ORDER No		極数 CKT		MODEL NO

黒 BLACK	ナチュラル NATURAL	HOUSING COLOR		
213227 3431	213227 3430	34	213227 **3* (GOLD PLATING THICKNESS: 0.38 micro-meters MIN)	
213227 3231	213227 3230	32		
213227 3031	213227 3030	30		
213227 2831	213227 2830	28		
213227 2631	213227 2630	26		
213227 2431	213227 2430	24		
213227 2231	213227 2230	22		
213227 2031	213227 2030	20		
213227 1831	213227 1830	18		
213227 1631	213227 1630	16		
213227 1431	213227 1430	14		
213227 1231	213227 1230	12		
213227 1031	213227 1030	10		
213227 0831	213227 0830	8		
オーダー番号 ORDER No		極数 CKT		MODEL NO

黒 BLACK	ナチュラル NATURAL	HOUSING COLOR		
213227 3471	213227 3470	34	213227 **7* (GOLD PLATING THICKNESS: 0.76 micro-meters MIN.)	
213227 3271	213227 3270	32		
213227 3071	213227 3070	30		
213227 2871	213227 2870	28		
213227 2671	213227 2670	26		
213227 2471	213227 2470	24		
213227 2271	213227 2270	22		
213227 2071	213227 2070	20		
213227 1871	213227 1870	18		
213227 1671	213227 1670	16		
213227 1471	213227 1470	14		
213227 1271	213227 1270	12		
213227 1071	213227 1070	10		
213227 0871	213227 0870	8		
オーダー番号 ORDER No		極数 CKT		MODEL NO

THIS DRAWING CONTAINS INFORMATION THAT IS PROPRIETARY TO MOLEX ELECTRONIC TECHNOLOGIES, LLC AND SHOULD NOT BE USED WITHOUT WRITTEN PERMISSION													
DIMENSION UNITS		SCALE		CURRENT REV DESC:				molex					
mm		NTS											
GENERAL TOLERANCES (UNLESS SPECIFIED)				EC NO: 742719 DRWN: MIKEDA01 2023/06/23 CHK'D: SAKIYAMA 2023/06/23 APPR: AIDA 2023/06/23 INITIAL REVISION: DRWN: MIKEDA01 2019/10/01 APPR: KOMURAKAMI 2019/11/20				DOCUMENT NUMBER		DOC TYPE	DOC PART	REVISION	
ANGULAR TOL		± 3.0 °						2132270000-SD		PSD	000	D	
4 PLACES		± 0.2											
3 PLACES		± 0.2											
2 PLACES		± 0.2											
1 PLACE		± 0.2											
0 PLACES		± 0.2											
DRAFT WHERE APPLICABLE MUST REMAIN WITHIN DIMENSIONS				THIRD ANGLE PROJECTION		DRAWING	SERIES	MATERIAL NUMBER	CUSTOMER	SHEET NUMBER			
						A3-SIZE	213227	SEE CHART	GENERAL	6 OF 6			