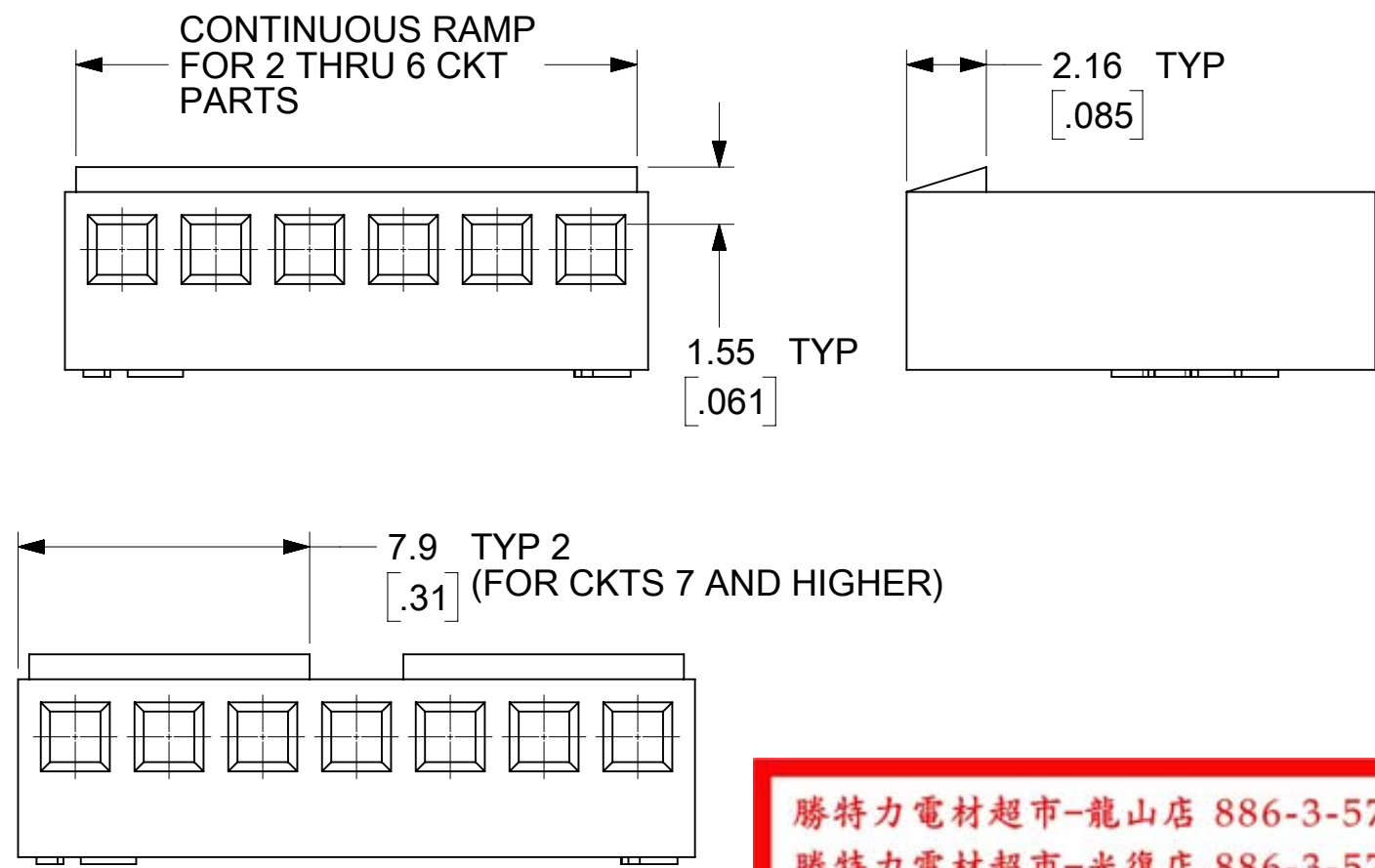
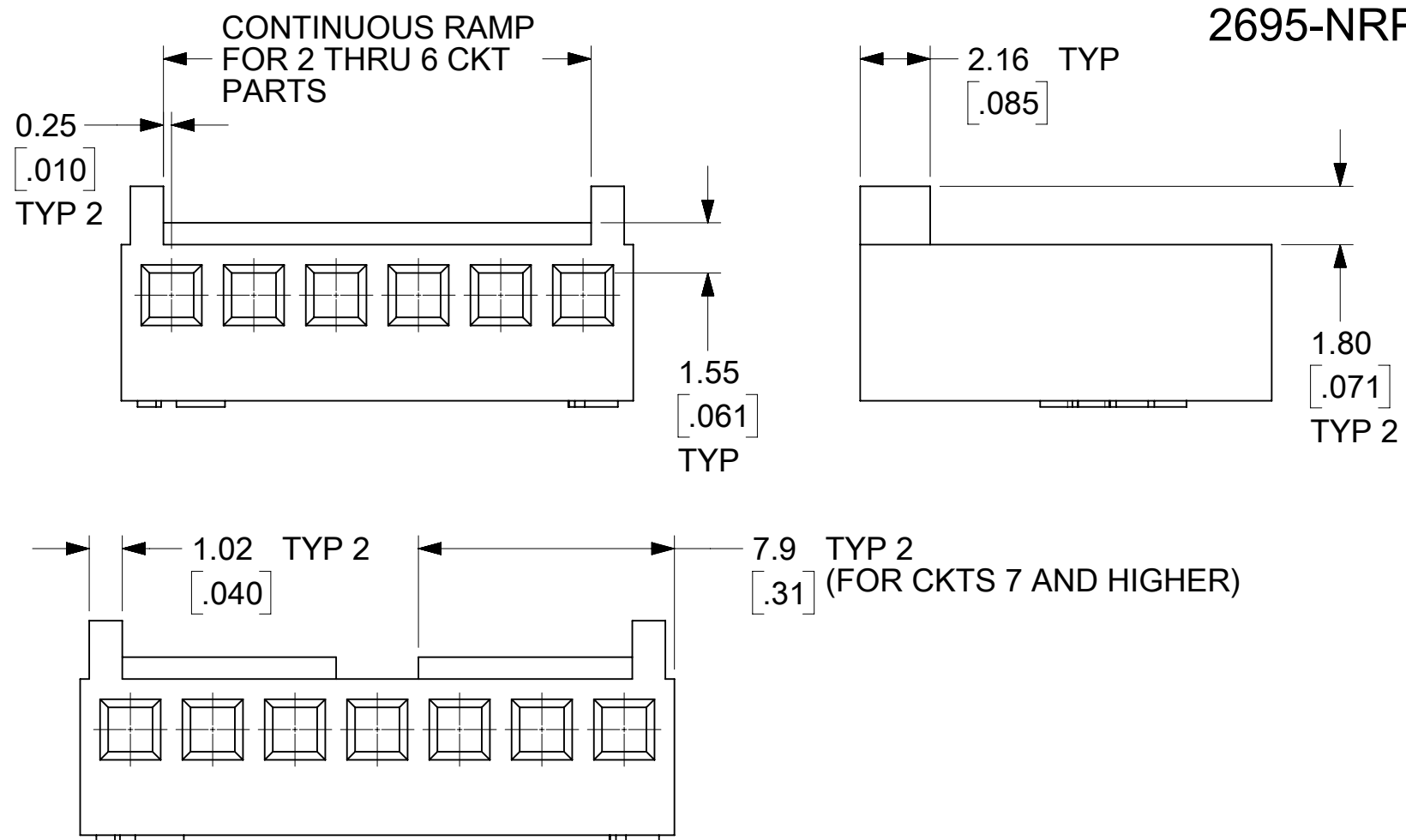


2695-NR

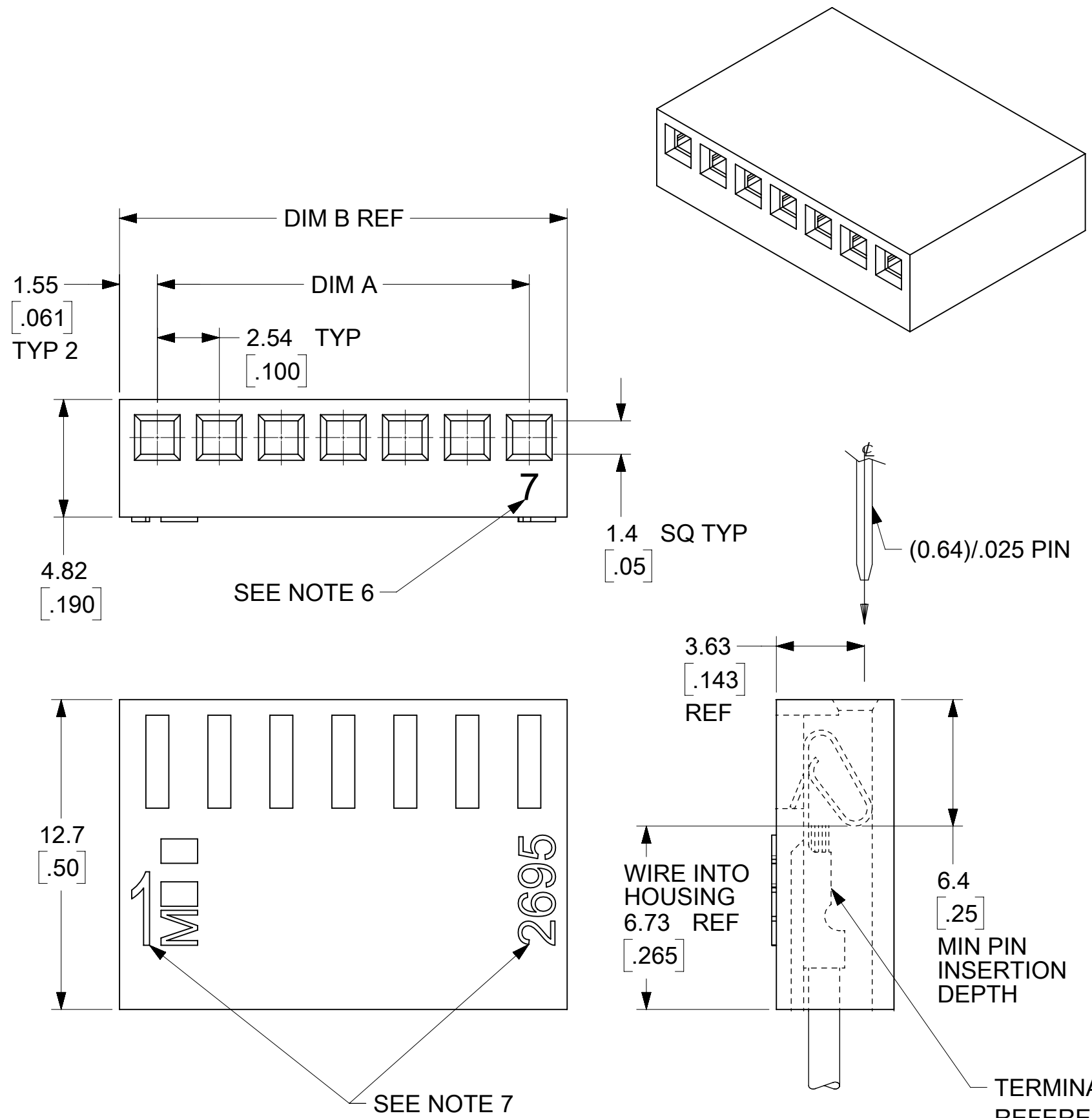


勝特力電材超市-龍山店 886-3-5773766
 勝特力電材超市-光復店 886-3-5729570
 勝特力電子(上海) 86-21-34970699
 勝特力電子(深圳) 86-755-83298787
<http://www.100y.com.tw>

2695-NRP



WHEN MATING 2695-NRP TO BREAKAWAY FRICTION LOCK OR POLARIZING HEADERS, THE END BACKWALLS MUST BE REMOVED



NO. OF CIRCUITS	DIM. A	DIM. B
2	(2.54±0.05) .100±.002	(5.64) .222
3	(5.08±0.05) .200±.002	(8.18) .322
4	(7.62±0.08) .300±.003	(10.72) .422
5	(10.16±0.08) .400±.003	(13.26) .522
6	(12.70±0.10) .500±.004	(15.80) .622
7	(15.24±0.10) .600±.004	(18.34) .722
8	(17.78±0.13) .700±.005	(20.88) .822
9	(20.32±0.13) .800±.005	(23.42) .922
10	(22.86±0.13) .900±.005	(25.96) 1.022
11	(25.40±0.15) 1.000±.006	(28.50) 1.122
12	(27.94±0.15) 1.100±.006	(31.04) 1.222
13	(30.48±0.18) 1.200±.007	(33.58) 1.322
14	(33.02±0.18) 1.300±.007	(36.12) 1.422
15	(35.56±0.20) 1.400±.008	(38.66) 1.522
16	(38.10±0.20) 1.500±.008	(41.20) 1.622

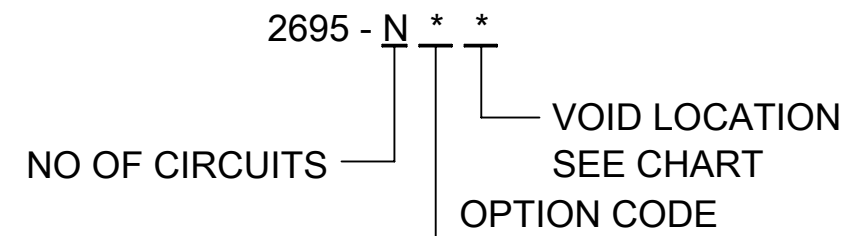
NOTES:

1. MATERIAL: A - NYLON, UL94V-0, COLOR: WHITE
B - NYLON, UL94V-0, COLOR: MOLDED BLACK
2. FINISH: SEE TERMINAL DRAWING
3. PRODUCT SPECIFICATION: PS-10-07.
4. PACKAGING: PER 26950002-PK, 26950001-PK (ONLY FOR 22013047,22013037, 22013027)
5. HOUSING TO BE USED WITH CRIMP TERMINAL SERIES 2759, 6459, 41572. PARTS MADE AFTER 4/19/2012 WILL ALSO ACCEPT 4809 AND 8088 SERIES TERMINALS. FOR USE WITH 22-30 GAUGE WIRE WITH (1.57)/.062 DIAMETER MAXIMUM WIRE INSULATION.
6. LAST CIRCUIT NUMBER NOT PRESENT ON 2-6 CKT AND MAY OR MAY NOT BE PRESENT ON 7-16 CKT SIZES.
7. CIRCUIT NUMBER "1" AND ENGINEERING NUMBER TO APPEAR ON PARTS 3 CKTS AND HIGHER.
8. THIS PART CONFORMS TO CLASS B REQUIREMENTS OF COSMETIC SPECIFICATION PS-45499-002.
9. THE PARTS LISTED ON THIS DRAWING ARE CONSTRUCTED TO MEET THE REQUIREMENT FOR DIRECT SUPPORT OF UNINSULATED LIVE PARTS AS DESCRIBED IN UL508C.
10. THIS DRAWING REPLACES SD-2695.

FUNCTIONAL SYMBOLS	THIS DRAWING CONTAINS INFORMATION THAT IS PROPRIETARY TO MOLEX ELECTRONIC TECHNOLOGIES, LLC AND SHOULD NOT BE USED WITHOUT WRITTEN PERMISSION			
	DIMENSION UNITS		SCALE	
	mm		5:1	
	GENERAL TOLERANCES (UNLESS SPECIFIED)			
DIVISIONAL SYMBOLS	4 PLACES ±		MM	
	3 PLACES ±		INCH	
	2 PLACES ±		0.13 ± 0.01	
	1 PLACE ±		0.25 ±	
	0 PLACES ±		±	
ANGULAR TOL		± 0.5 °		
DRAFT WHERE APPLICABLE MUST REMAIN WITHIN DIMENSIONS		THIRD ANGLE PROJECTION		
CURRENT REV DESC:		EC NO: 639732		
DRWN: YVENKATESWAR		2020/06/17		
CHK'D: YVENKATESWAR		2020/06/17		
APPR: ISHWARG		2020/06/17		
INITIAL REVISION:		DRWN: JQUILES		
DRWN: JQUILES		2017/06/02		
APPR: FSMITH		2017/06/09		
DRAWING		SERIES		
C-SIZE		2695		
DOCUMENT NUMBER		DOC TYPE		
26950000-SD		PSD		
CUSTOMER		DOC PART		
GENERAL MARKET		REVISION		
SEE CHART		000 A3		
MATERIAL NUMBER		SHEET NUMBER		
1 OF 2				

2695-N			2695-NR			2695-NRP			2695-NRP-BK		
PART NUMBER	ENGINEERING NUMBER	VOID	PART NUMBER	ENGINEERING NUMBER	VOID	PART NUMBER	ENGINEERING NUMBER	VOID	PART NUMBER	ENGINEERING NUMBER	VOID
22-01-2021	2695-2		22-01-2027	2695-2R		22-01-3027*	2695-2RP		50-29-1557	2695-2RP-BK	
22-01-2031	2695-3		22-01-2037	2695-3R		22-01-3037*	2695-3RP		50-29-1558	2695-3RP-BK	
22-01-2041	2695-4		22-01-2047	2695-4R		22-01-3047*	2695-4RP		50-29-1559	2695-4RP-BK	
22-01-2051	2695-5		22-01-2057	2695-5R		22-01-3057	2695-5RP		50-29-1560	2695-5RP-BK	
22-01-2061	2695-6		22-01-2067	2695-6R		22-01-3067	2695-6RP		50-29-1561	2695-6RP-BK	
22-01-2071	2695-7		22-01-2077	2695-7R		22-01-3077	2695-7RP		50-29-1562	2695-7RP-BK	
22-01-2081	2695-8		22-01-2087	2695-8R		22-01-3087	2695-8RP		50-29-1563	2695-8RP-BK	
22-01-2091	2695-9		22-01-2097	2695-9R		22-01-3097	2695-9RP		50-29-1564	2695-9RP-BK	
22-01-2101	2695-10		22-01-2107	2695-10R		22-01-3107	2695-10RP		50-29-1565	2695-10RP-BK	
22-01-2111	2695-11		22-01-2117	2695-11R		22-01-3117	2695-11RP		50-29-1566	2695-11RP-BK	
22-01-2121	2695-12		22-01-2127	2695-12R		22-01-3127	2695-12RP		50-29-1567	2695-12RP-BK	
22-01-2131	2695-13		22-01-2137	2695-13R		22-01-3137	2695-13RP		50-29-1568	2695-13RP-BK	
22-01-2141	2695-14		22-01-2147	2695-14R		22-01-3147	2695-14RP		50-29-1569	2695-14RP-BK	
22-01-2151	2695-15		22-01-2157	2695-15R		22-01-3157	2695-15RP		50-29-1570	2695-15RP-BK	
22-01-2161	2695-16		22-01-2167	2695-16R		22-01-3167	2695-16RP		50-29-1571	2695-16RP-BK	

*REFER NOTE 4 FOR PACKAGING INFORMATION PERTAINING TO 22013027, 22013037, 22013047



	RAMP	POLARIZING RIBS	MATERIAL
BLANK	NO	NO	NOTE 1A
R	YES	NO	NOTE 1A
RP	YES	YES	NOTE 1A
RP-BK	YES	YES	NOTE 1B

FUNCTIONAL SYMBOLS FA = 0 FC = 0 FP = 0 DIVISIONAL SYMBOLS	THIS DRAWING CONTAINS INFORMATION THAT IS PROPRIETARY TO MOLEX ELECTRONIC TECHNOLOGIES, LLC AND SHOULD NOT BE USED WITHOUT WRITTEN PERMISSION																													
	DIMENSION UNITS: mm SCALE: 1:1		CURRENT REV DESC:																											
	GENERAL TOLERANCES (UNLESS SPECIFIED)		EC NO: 639732 DRWN: YVENKATESWAR 2020/06/17 CHK'D: YVENKATESWAR 2020/06/17 APPR: ISHWARG 2020/06/17																											
	<table border="1"> <thead> <tr> <th></th> <th>MM</th> <th>INCH</th> </tr> </thead> <tbody> <tr> <td>4 PLACES</td> <td>±</td> <td>±</td> </tr> <tr> <td>3 PLACES</td> <td>±</td> <td>± 0.005</td> </tr> <tr> <td>2 PLACES</td> <td>± 0.13</td> <td>± 0.01</td> </tr> <tr> <td>1 PLACE</td> <td>± 0.25</td> <td>±</td> </tr> <tr> <td>0 PLACES</td> <td>±</td> <td>±</td> </tr> <tr> <td>ANGULAR TOL</td> <td colspan="2">± 0.5 °</td> </tr> </tbody> </table>			MM	INCH	4 PLACES	±	±	3 PLACES	±	± 0.005	2 PLACES	± 0.13	± 0.01	1 PLACE	± 0.25	±	0 PLACES	±	±	ANGULAR TOL	± 0.5 °		INITIAL REVISION: DRWN: JQUILES 2017/06/02 APPR: FSMITH 2017/06/09						
	MM	INCH																												
4 PLACES	±	±																												
3 PLACES	±	± 0.005																												
2 PLACES	± 0.13	± 0.01																												
1 PLACE	± 0.25	±																												
0 PLACES	±	±																												
ANGULAR TOL	± 0.5 °																													
DRAFT WHERE APPLICABLE MUST REMAIN WITHIN DIMENSIONS		THIRD ANGLE PROJECTION		DRAWING: C-SIZE		SERIES: 2695		DOCUMENT NUMBER: 26950000-SD		DOC TYPE: PSD		DOC PART: 000		REVISION: A3																
MATERIAL NUMBER: SEE CHART		CUSTOMER: GENERAL MARKET		SHEET NUMBER: 2 OF 2																										



KK 2.54/.100 CRIMP HOUSING
2695 SERIES HALOGEN FREE

PRODUCT CUSTOMER DRAWING

DOCUMENT STATUS	P1	RELEASE DATE	2020/06/17	13:00:37
-----------------	----	--------------	------------	----------



产品编号 : 22013047

Product Description : KK 254 Crimp Housing, Friction Ramp with Polarizing Ribs, 4 Circuits, Natural

系列号 : 2695

状态 : Active

Product Category : Connector Housings

工程编号 : 2695-04RP



文件和资源

图纸

[图纸 022013047_sd.pdf](#)

[包装设计图 26950002-PK-000.pdf](#)

3D 模型和设计文件

[3D模型 022013047_stp.zip](#)


规格

[产品规格 PS-10-07-001.pdf](#)

[测试摘要 TS-10-07-001.pdf](#)

产物环境合规

合规

GADSL/IMDS	Not Relevant
China RoHS	
EU ELV	Compliant per 2000/53/EC
Low-Halogen Status	Low-Halogen per IEC 61249-2-21
REACH SVHC	Not Contained per D(2023)3788-DC (14 Jun 2023)
EU RoHS	Compliant per EU 2015/863

多部分产品合规性声明

- Eu RoHS

- REACH SVHC

- Low-Halogen

多部分行业合规性文件

- IPC 1752A Class C

- IPC 1752A Class D

- Molex Product Compliance Declaration

- IEC-62474

- chemSHERPA (xml)

欧盟 RoHS 合格证书

产品详情

常规

状态	活动
类别	Connector Housings
系列	2695
说明	KK 254 Crimp Housing, Friction Ramp with Polarizing Ribs, 4 Circuits, Natural
应用	Signal, Wire-to-Board
产品系列	KK Interconnect Systems
产品名称	KK 254
UPC	800753593848

机构

CSA	LR19980
UL	E29179

物理

电路数（最多）	4
颜色-树脂	Natural (White)
阻燃性	94V-0
性别	Receptacle
符合灼热丝规范	否
锁定插接部位	是
材料 - 树脂	Nylon
净重	0.422/g
行数	1

包装形式	Bag
面板安装式	否
间距 - 插配接口	2.54mm
间距 - 终端界面	2.54mm
有极性的插配件	是
可堆叠的	否
运行温度范围	See Product Specification

进程

无铅	不适用
----	-----

可配插/可连接使用的产品

可配插部件

描述	产品编号
KK 254 RPC Vertical Headers with Friction Lock	<u>171856</u>
KK 254 RPC Right-Angle Headers with Friction Lock	<u>171857</u>
KK 254 Single Row Vertical Headers	<u>4030</u>
KK 254 Vertical Breakaway Headers with Friction Lock	<u>42375</u>
KK 254 Right-Angle Breakaway Headers	<u>42376</u>
KK 254 Right-Angle Surface Mount Compatible Breakaway Headers	<u>42377</u>
KK 254 Vertical Single Row Solid Headers	<u>6373</u>
KK 254 Vertical Single Row Headers	<u>6410</u>

可连接使用部件

描述	产品编号
Pre-Crimped Lead KK 254 Female-to-KK 254 Female, Tin (Sn) Plating, 150.00mm Length, 22 AWG, Black	<u>/content/molex/molex-dot-com/cn/zh/products/product-page.html/797580007.html</u>

Pre-Crimped Lead KK 254 Female- to-KK 254 Female, Tin (Sn) Plating, 300.00mm Length, 22 AWG, Black	/content/molex/molex-dot-com/cn/zh/products/product-page.html/797580015.html
KK 254 Female Crimp Terminals	<u>2759</u>
KK 254 Cat Ear Crimp Terminals	<u>41572</u>
KK 254 Female Crimp Terminals	<u>4809</u>
KK 254 Female Crimp Terminals	<u>6459</u>
KK 254 Female Crimp Terminals	<u>8088</u>