



产品编号 : 22552283

系列号 : 70450

Product Category : Connector Housings

Product Description : 2.54mm Pitch SL Crimp Housing, Dual Row, Version C, Back Ribs, 28 Circuits, Black

状态 : Active

工程编号 : 704500112

---

## 文件和资源

### 图纸

图纸 022552283\_sd.pdf

包装设计图 PK-70450-100-001.pdf

### 3D 模型和设计文件

3D模型 022552283\_stp.zip

### 规格

产品规格 PS-70400-001.pdf


产品规格 PS-70058-001.pdf

测试摘要 TS-70058-001-001.pdf

---

## 产物环境合规

### 合规

GADSL/IMDS	Not Relevant
China RoHS	
EU ELV	Not Relevant
Low-Halogen Status	Not Low-Halogen per IEC 61249-2-21
REACH SVHC	Not Contained per D(2023)8585-DC (23 Jan 2024)
EU RoHS	Compliant per EU 2015/863

### 多部分产品合规性声明

- Eu RoHS
- REACH SVHC
- Low-Halogen
  
- IPC 1752A Class C
- IPC 1752A Class D
- Molex Product Compliance Declaration

- IEC-62474

- chemSHERPA (xml)

欧盟 RoHS 合格证书

---

## 产品详情

### 常规

状态	活动
类别	Connector Housings
系列	70450
说明	2.54mm Pitch SL Crimp Housing, Dual Row, Version C, Back Ribs, 28 Circuits, Black
应用	Signal, Wire-to-Board
个评论	Version C
产品系列	SL Modular Connectors
产品名称	SL
UPC	800754397360

### 机构

CSA	LR19980
UL	E29179

### 物理

断开	否
电路数 (最多)	28
颜色-树脂	黑色
阻燃性	94V-0
性别	Receptacle
符合灼热丝规范	否
材料 - 树脂	Polyester
净重	2.412/g
行数	2
包装形式	Bag
面板安装式	否
间距 - 插配接口	2.54mm

可堆叠的	是
运行温度范围	-40° to +105° C

进程

无铅	不适用
----	-----

---

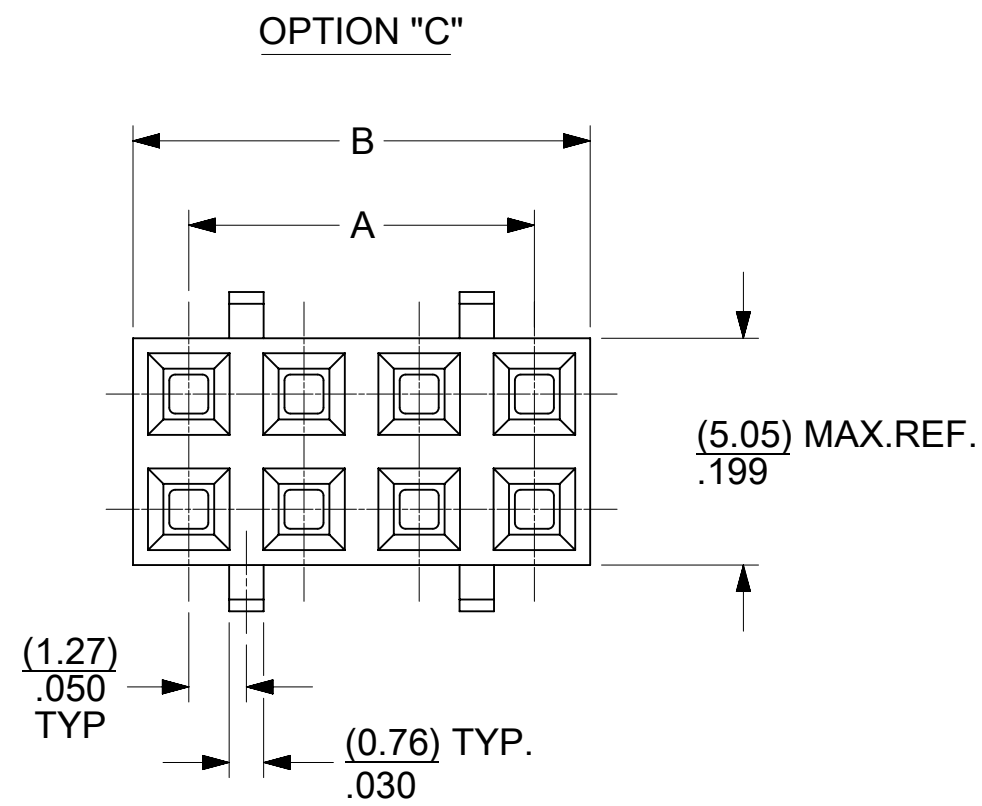
可配插/可连接使用的产品

可配插部件

描述	产品编号
C-Grid Right-Angle Dual Row Headers	<u>70229</u>
C-Grid Right-Angle, Dual Row, Low Profile Headers	<u>70247</u>
C-Grid Vertical Dual Row Breakaway Headers	<u>70280</u>
C-Grid Vertical, Dual Row, Low Profile Headers	<u>70246</u>

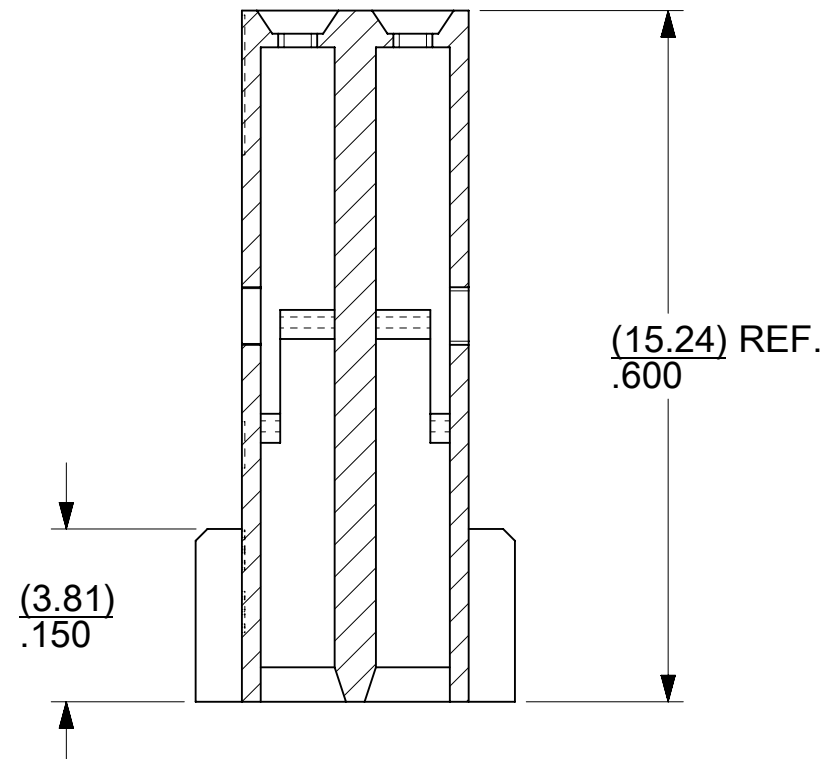
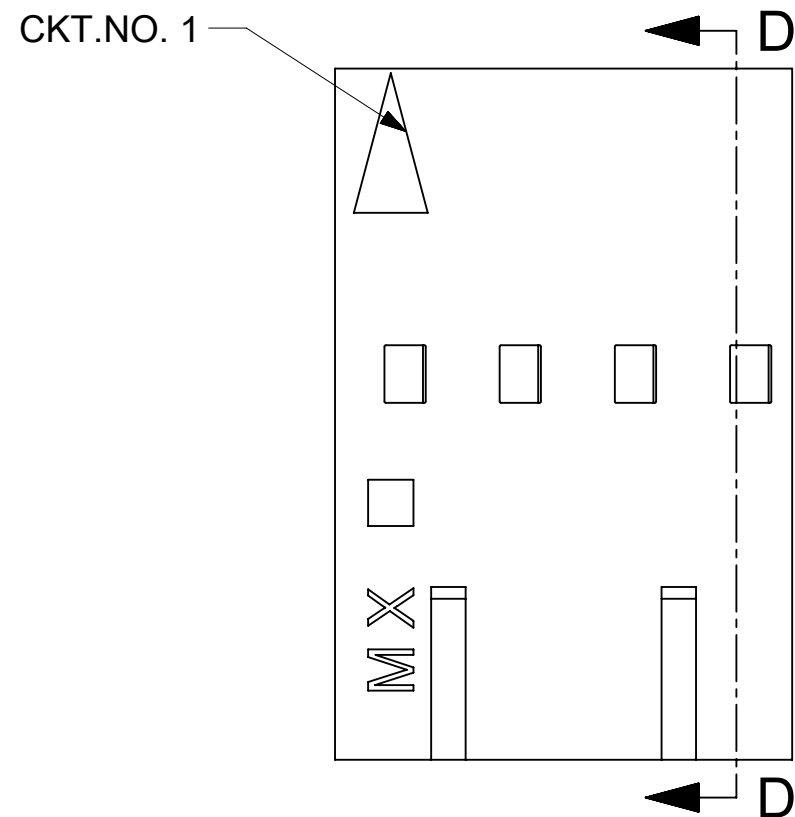
可连接使用部件

描述	产品编号
SL Female Terminals	<u>70058</u>
SL Female Terminals	<u>71851</u>



**NOTES:**

1. MATERIAL:- POLYESTER, GF, UL94 V-0, COLOUR-BLACK
2. HOUSING TO BE USED WITH TERMINALS  
PT. NO. 70058-\*\*\*\* & 70028-\*\*\*\*
3. TO BE USED WITH (0.64)/.025 SQ. OR RD. PINS.
4. REFER TO PRODUCT SPECIFICATION
5. REFER TO PRODUCT SPECIFICATION PS-70058.
6. PACKAGE PER PK-70450-100.
7. PARTS CONFORMS TO CLASS C OF COSMETIC SPECIFICATION PS-45499-002.



SECTION D-D

**CHART**

CKT. SIZE	EDP. NO.	ENG. NO.	A	B
4	022-55-2043	70450-0100	(2.54) .100	(5.05) .199
6	022-55-2063	70450-0101	(5.08) .200	(7.59) .299
8	022-55-2083	70450-0102	(7.62) .300	(10.13) .399
10	022-55-2103	70450-0103	(10.16) .400	(12.67) .499
12	022-55-2123	70450-0104	(12.70) .500	(15.21) .599
14	022-55-2143	70450-0105	(15.24) .600	(17.75) .699
16	022-55-2163	70450-0106	(17.78) .700	(20.29) .799
18	022-55-2183	70450-0107	(20.32) .800	(22.83) .899
20	022-55-2203	70450-0108	(22.86) .900	(25.37) .999
22	022-55-2223	70450-0109	(25.40) 1.000	(27.91) 1.099
24	022-55-2243	70450-0110	(27.94) 1.100	(30.45) 1.199
26	022-55-2263	70450-0111	(30.48) 1.200	(32.99) 1.299
28	022-55-2283	70450-0112	(33.02) 1.300	(35.53) 1.399
30	022-55-2303	70450-0113	(35.56) 1.400	(38.07) 1.499
32	022-55-2323	70450-0114	(38.10) 1.500	(40.61) 1.599
34	022-55-2343	70450-0115	(40.64) 1.600	(43.15) 1.699
36	022-55-2363	70450-0116	(43.18) 1.700	(45.69) 1.799
38	022-55-2383	70450-0117	(45.72) 1.800	(48.23) 1.899
40	022-55-2403	70450-0118	(48.26) 1.900	(50.77) 1.999
42	022-55-2423	70450-0119	(50.80) 2.000	(53.31) 2.099
44	022-55-2443	70450-0120	(53.34) 2.100	(55.85) 2.199
46	022-55-2463	70450-0121	(55.88) 2.200	(58.39) 2.299
48	022-55-2483	70450-0122	(58.42) 2.300	(60.93) 2.399
50	022-55-2503	70450-0123	(60.96) 2.400	(63.47) 2.499
52	022-55-2523	70450-0124	(63.50) 2.500	(66.01) 2.599
54	022-55-2543	70450-0125	(66.04) 2.600	(68.55) 2.699

<b>FUNCTIONAL SYMBOLS</b> $\frac{F}{A} = 0$ $\frac{F}{C} = 0$ $\frac{F}{P} = 0$	THIS DRAWING CONTAINS INFORMATION THAT IS PROPRIETARY TO MOLEX ELECTRONIC TECHNOLOGIES, LLC AND SHOULD NOT BE USED WITHOUT WRITTEN PERMISSION		CURRENT REV DESC:		 HOUSING - CONNECTOR DUAL ROW (2.54)/.100 GRID WITH RIBS PRODUCT CUSTOMER DRAWING																				
	DIMENSION UNITS: <b>INCH</b> SCALE: <b>4:1</b>		EC NO: 733621 DRWN: KEVINS31 CHK'D: KEVINS31 APPR: ISHWARG			2022/12/26 2023/01/03 2023/01/03																			
	GENERAL TOLERANCES (UNLESS SPECIFIED)		INITIAL REVISION:			DOCUMENT NUMBER: <b>SD-70450-0100-0125</b> DOC TYPE: PSD DOC PART: 001 REVISION: K1																			
	<table border="1"> <thead> <tr> <th></th> <th>MM</th> <th>INCH</th> </tr> </thead> <tbody> <tr> <td>4 PLACES</td> <td>±</td> <td>±</td> </tr> <tr> <td>3 PLACES</td> <td>±</td> <td>± 0.01</td> </tr> <tr> <td>2 PLACES</td> <td>± 0.25</td> <td>±</td> </tr> <tr> <td>1 PLACE</td> <td>± 0.35</td> <td>±</td> </tr> <tr> <td>0 PLACES</td> <td>±</td> <td>±</td> </tr> <tr> <td colspan="3">ANGULAR TOL ± 0.5 °</td> </tr> </tbody> </table>			MM		INCH	4 PLACES	±	±	3 PLACES	±	± 0.01	2 PLACES	± 0.25	±	1 PLACE	± 0.35	±	0 PLACES	±	±	ANGULAR TOL ± 0.5 °			DRWN: MJM APPR: WAZ 1986/10/22 1986/10/22
	MM	INCH																							
4 PLACES	±	±																							
3 PLACES	±	± 0.01																							
2 PLACES	± 0.25	±																							
1 PLACE	± 0.35	±																							
0 PLACES	±	±																							
ANGULAR TOL ± 0.5 °																									
DIVISIONAL SYMBOLS		DRAFT WHERE APPLICABLE MUST REMAIN WITHIN DIMENSIONS		THIRD ANGLE PROJECTION	DRAWING: C-SIZE SERIES: 70450																				