



产品编号 : 307001061

**Product Description** : 2.54mm Pitch, 0.64mm Width H-DAC 64 High Density Automotive Connectors, Dual Row, Female Harness Assembly, 6 Circuits, Polarization Option 2, Black

系列号 : 30700

**状态** : Active

**Product Category** : Connector Housings

---

## 文件和资源

### 图纸

图纸 307001061\_sd.pdf

包装设计图 PK-30907-417-001.pdf

### 3D 模型和设计文件

3D模型 307001061\_stp.zip

### 规格

应用规格 AS-30700-000-001.pdf

产品规格 PS-30700-0001-001.pdf

产品规格 PS-30968-0001-001.pdf

---

## 产物环境合规

### 合规

GADSL/IMDS	Compliant
China RoHS	Not Relevant
EU ELV	Compliant per 2000/53/EC
Low-Halogen Status	Not Relevant
REACH SVHC	Not Contained per D(2023)8585-DC (23 Jan 2024)
EU RoHS	Compliant per EU 2015/863

### 多部分产品合规性声明

- Eu RoHS
- REACH SVHC
- Low-Halogen
  
- IPC 1752A Class C
- IPC 1752A Class D

- Molex Product Compliance Declaration

- IEC-62474

- chemSHERPA (xml)

欧盟 RoHS 合格证书

---

## 产品详情

### 常规

状态	活动
类别	Connector Housings
系列	30700
说明	2.54mm Pitch, 0.64mm Width H-DAC 64 High Density Automotive Connectors, Dual Row, Female Harness Assembly, 6 Circuits, Polarization Option 2, Black
应用	Automotive, Power, Wire-to-Board, Wire-to-Wire
个评论	Polarization Option 2
产品系列	H-DAC 64 Unsealed Connector System
产品名称	H-DAC 64
UPC	800756074979

### 物理

电路数（最多）	6
颜色-树脂	黑色
性别	Receptacle
符合灼热丝规范	否
锁定插接部位	是
材料 - 树脂	Modified Polystyrene
净重	2.733/g
行数	2
包装形式	Bag
面板安装式	否
间距 - 插配接口	2.54mm
有极性的插配件	是
可堆叠的	否

运行温度范围	-40° to +100° C
--------	-----------------

进程

无铅	不适用
----	-----

---

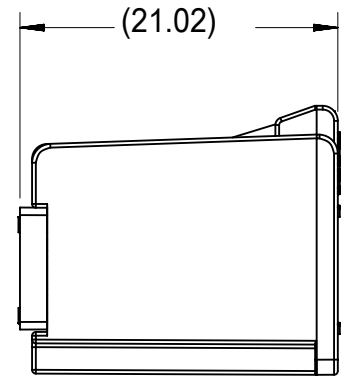
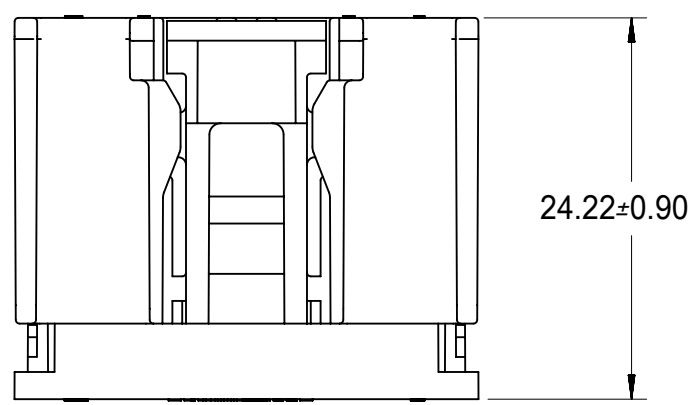
可配插/可连接使用的产品

可配插部件

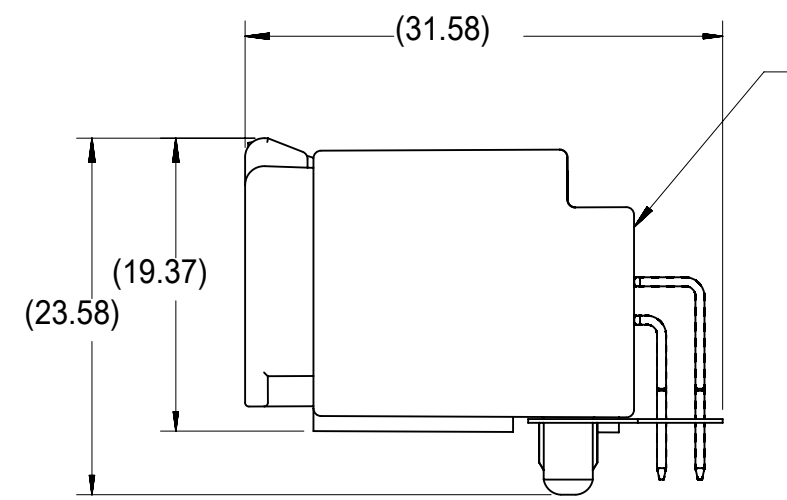
描述	产品编号
2.54mm Pitch, H-DAC 64 High Density Automotive Header, Dual Row, Vertical, 6 Circuits, Polarization Option 2, Black, Tube	<u>307004065</u>
2.54mm Pitch, H-DAC 64 High Density Automotive Header, Dual Row, Right-Angle, 6 Circuits, Polarization Option 2, Black, Tube	<u>307005065</u>
H-DAC 64 High Density Automotive Dual Row Housings	<u>30968</u>

可连接使用部件

描述	产品编号
可装的端子等部件	Contact Molex for Terminal information.



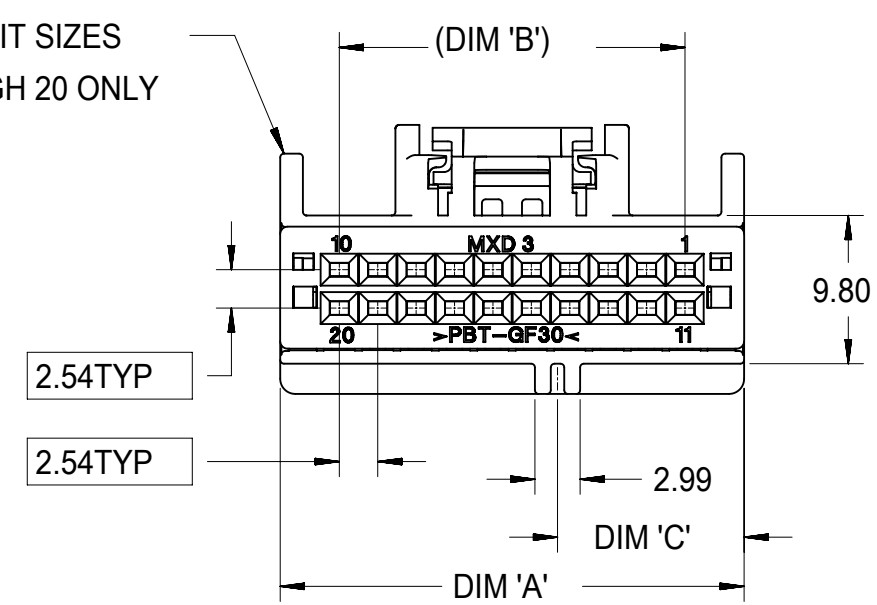
TPA SHOWN IN FULLY SEATED POSITION



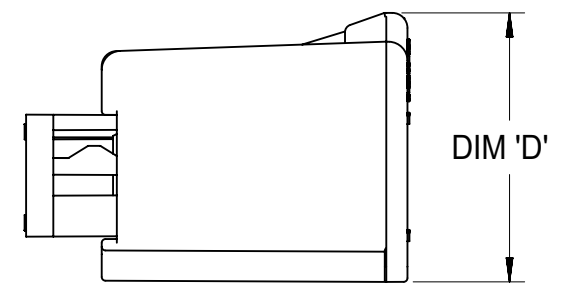
RIGHT ANGLE HEADER ASSEMBLY. SEE SALES DRAWING SD-30700-520.

MATED VIEW

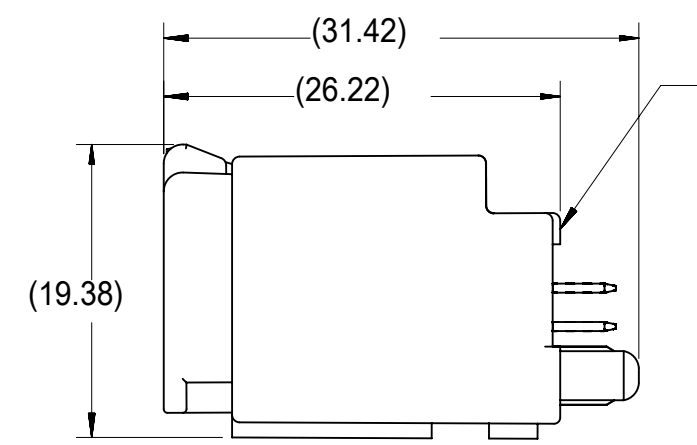
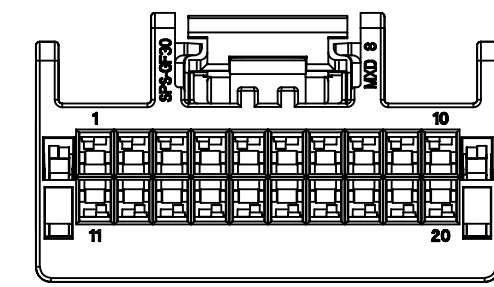
SCOOP PROOF RIBS FOR CIRCUIT SIZES 14 THROUGH 20 ONLY



20 CIRCUIT HARNESS ASSEMBLY SHOWN

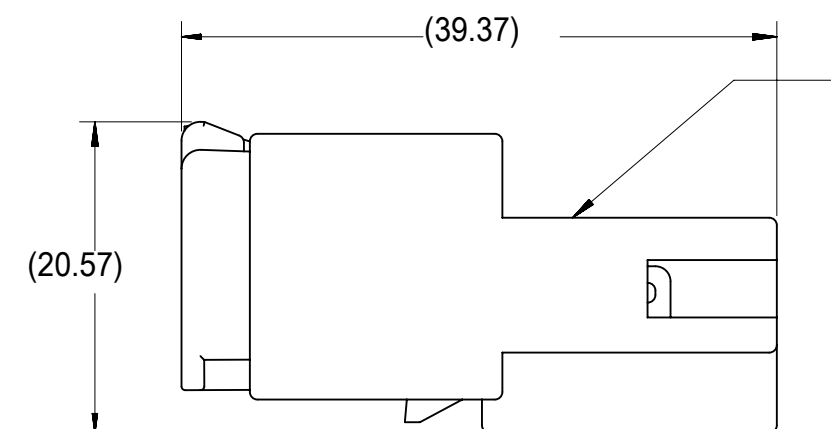


WITH TPA IN PRE-LOAD (AS SHIPPED)



VERTICAL HEADER ASSEMBLY. SEE SALES DRAWING SD-30700-420.

MATED VIEW



MALE INLINE HARNESS ASSEMBLY. SEE SALES DRAWING SD-30968-120.

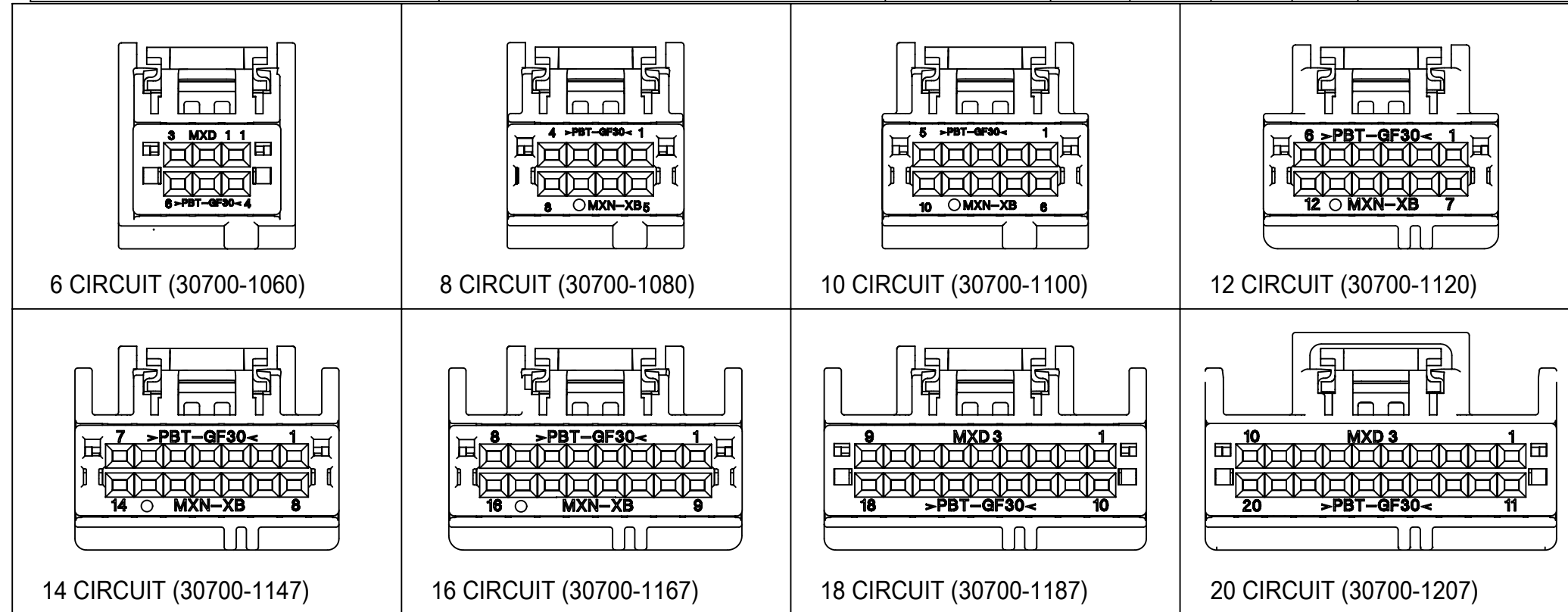
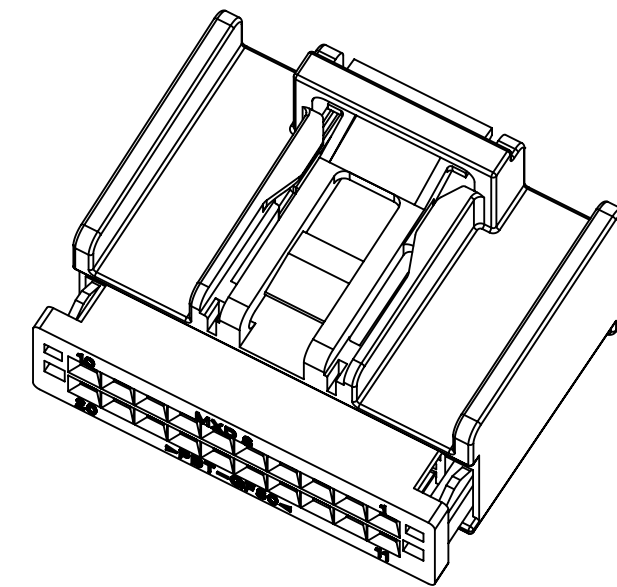
MATED VIEW

NOTES:

1. MATERIAL: HOUSING: SPS, GLASS FILLED, COLOR: SEE CHART.  
TPA: PBT, GLASS FILLED, COLOR: RED.
2. PRODUCT SPECIFICATION: PS-30700-0001
3. PACKAGING SPECIFICATION: PK-30907-417
4. MATES WITH: SERIES 30700 & 30968, SEE SALES DRAWINGS SD-30700-520, SD-30700-420 & SD-30968-120.

SYMBOLS	THIS DRAWING CONTAINS INFORMATION THAT IS PROPRIETARY TO MOLEX ELECTRONIC TECHNOLOGIES, LLC AND SHOULD NOT BE USED WITHOUT WRITTEN PERMISSION									
	DIMENSION UNITS	SCALE	CURRENT REV DESC:							
∅ = 0	mm	2:1								
∇ = 0	GENERAL TOLERANCES (UNLESS SPECIFIED)									
∇ = 0	ANGULAR TOL ± 0.5°									
S = 0	4 PLACES ±		EC NO: 601850							
∇ = 0	3 PLACES ±		DRWN: SHANDITHAVAL 2018/07/23							
∇ = 0	2 PLACES ± 0.13		CHK'D: RBAUMAN 2018/07/24							
∇ = 0	1 PLACE ± 0.25		APPR: RBAUMAN 2018/07/24							
⊠ = 0	0 PLACES ±		INITIAL REVISION:							
■ = 0	DRAFT WHERE APPLICABLE MUST REMAIN WITHIN DIMENSIONS		THIRD ANGLE PROJECTION		DRAWING		SERIES		DOCUMENT NUMBER	
∇ = 0			A2-SIZE		30700		SD-30700-120		DOC TYPE   DOC PART   REVISION	
							PSD		001   J	
							GENERAL MARKET		SHEET NUMBER	
									1 OF 3	

ASSEMBLY PART NUMBER	POLARIZATION OPTIONS & CIRCUIT SIZE		PRODUCT DIMENSIONS					PASS THRU HOLE DIA FOR HARNESS	MATING INTERFACE DIMENSIONS	
			A REF.	(B)	C	D	HOUSING COLOR		E	F
30700-1207	POLARIZATION OPTION #1	20	30.69	22.86	12.35	17.79	GRAY	36.5	12.57	31.14
30700-1208	POLARIZATION OPTION #2	20	30.69	22.86	15.35	17.79	BLACK	36.5	15.57	31.14
30700-1209	POLARIZATION OPTION #3	20	30.69	22.86	18.35	17.79	NATURAL (CREAM)	36.5	18.57	31.14
30700-1187	POLARIZATION OPTION #1	18	28.15	20.32	11.08	17.79	GRAY	34.0	11.31	28.60
30700-1188	POLARIZATION OPTION #2	18	28.15	20.32	14.08	17.79	BLACK	34.0	14.31	28.60
30700-1189	POLARIZATION OPTION #3	18	28.15	20.32	17.08	17.79	NATURAL (CREAM)	34.0	17.31	28.60
30700-1167	POLARIZATION OPTION #1	16	25.61	17.78	9.81	17.79	GRAY	32.0	10.04	26.06
30700-1168	POLARIZATION OPTION #2	16	25.61	17.78	12.81	17.79	BLACK	32.0	13.04	26.06
30700-1169	POLARIZATION OPTION #3	16	25.61	17.78	15.81	17.79	NATURAL (CREAM)	32.0	16.04	26.06
30700-1147	POLARIZATION OPTION #1	14	23.07	15.24	8.54	17.79	GRAY	30.0	8.77	23.52
30700-1148	POLARIZATION OPTION #2	14	23.07	15.24	11.54	17.79	BLACK	30.0	11.77	23.52
30700-1149	POLARIZATION OPTION #3	14	23.07	15.24	14.54	17.79	NATURAL (CREAM)	30.0	14.77	23.52
30700-1120	POLARIZATION OPTION #1	12	20.53	12.70	7.25	17.79	GRAY	27.5	7.50	20.98
30700-1121	POLARIZATION OPTION #2	12	20.53	12.70	10.27	17.79	BLACK	27.5	10.50	20.98
30700-1122	POLARIZATION OPTION #3	12	20.53	12.70	13.27	17.98	NATURAL (CREAM)	27.5	13.50	20.98
30700-1100	POLARIZATION OPTION #1	10	17.99	10.16	6.00	17.98	GRAY	26.4	6.23	18.44
30700-1101	POLARIZATION OPTION #2	10	17.99	10.16	9.00	17.98	BLACK	26.4	9.23	18.44
30700-1102	POLARIZATION OPTION #3	10	17.99	10.16	12.00	17.98	NATURAL (CREAM)	26.4	12.23	18.44
30700-1080	POLARIZATION OPTION #1	8	15.45	7.62	4.73	17.98	GRAY	25.5	4.96	15.90
30700-1081	POLARIZATION OPTION #2	8	15.45	7.62	7.73	17.98	BLACK	25.5	7.96	15.90
30700-1082	POLARIZATION OPTION #3	8	15.45	7.62	10.73	17.98	NATURAL (CREAM)	25.5	10.96	15.90
30700-1060	POLARIZATION OPTION #1	6	15.44	5.08	3.46	17.98	GRAY	25.5	3.69	13.36
30700-1061	POLARIZATION OPTION #2	6	15.44	5.08	6.46	17.98	BLACK	25.5	6.69	13.36
30700-1062	POLARIZATION OPTION #3	6	15.44	5.08	9.46	17.98	NATURAL (CREAM)	25.5	9.69	13.36

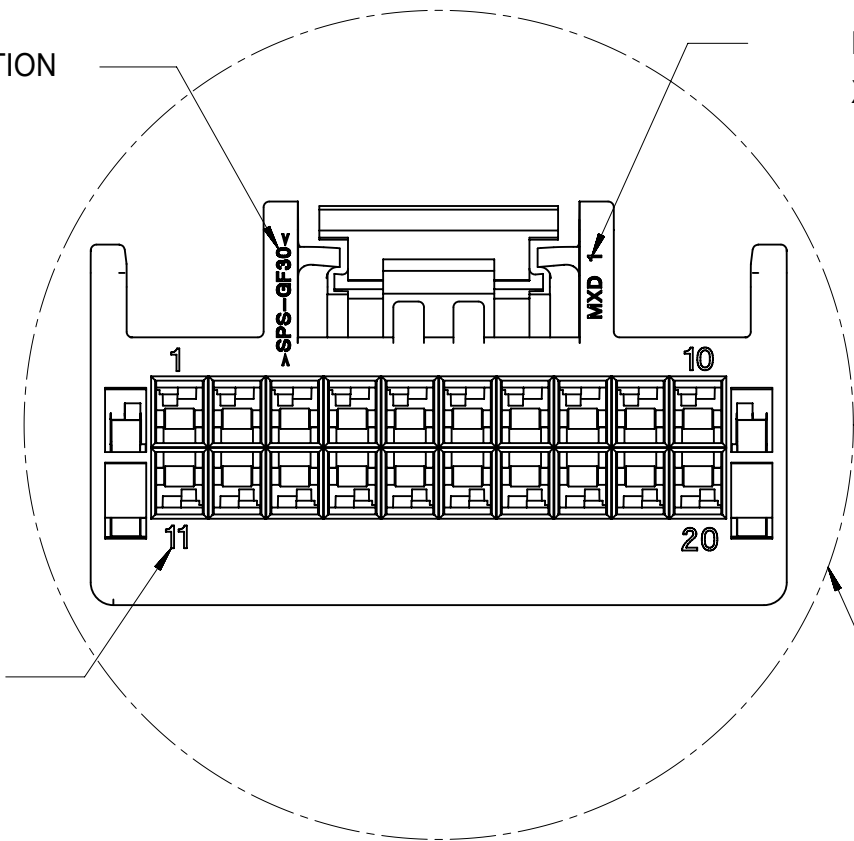


MATERIAL IDENTIFICATION SYMBOL

MX - VENDOR IDENTIFICATION (MOLEX)  
 X - MANUFACTURING LOCATION  
 ('N' FOR LINCOLN, 'D' FOR AUBURN HILLS)

CIRCUIT NUMBER IDENTIFICATION

SEE CHART FOR MINIMUM FEED THROUGH DIAMETER (1MM CLEARANCE ALL AROUND)



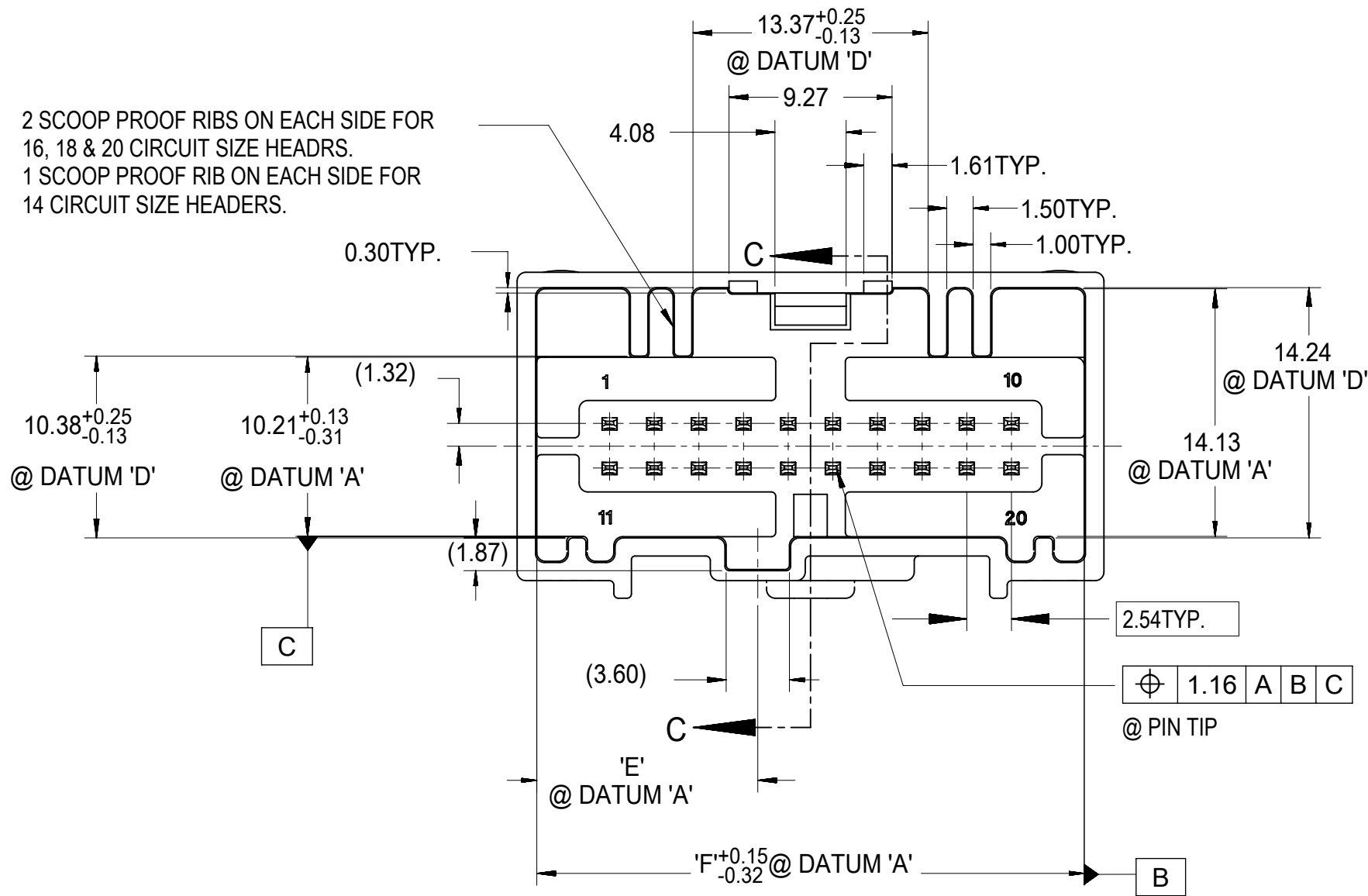
SYMBOLS	THIS DRAWING CONTAINS INFORMATION THAT IS PROPRIETARY TO MOLEX ELECTRONIC TECHNOLOGIES, LLC AND SHOULD NOT BE USED WITHOUT WRITTEN PERMISSION		
	DIMENSION UNITS	SCALE	CURRENT REV DESC:
∅ = 0	mm	2:1	EC NO: 601850
∇ = 0	GENERAL TOLERANCES (UNLESS SPECIFIED)		DRWN: SHANDITHAVAL 2018/07/23
∇ = 0	ANGULAR TOL ± 0.5°		CHK'D: RBAUMAN 2018/07/24
∇ = 0	4 PLACES ±		APPR: RBAUMAN 2018/07/24
∇ = 0	3 PLACES ±		INITIAL REVISION:
∇ = 0	2 PLACES ± 0.13		DRWN: RCARLSON 2001/03/23
∇ = 0	1 PLACE ± 0.25		APPR: LGEIB 2001/04/04
∇ = 0	0 PLACES ±		DRAFT WHERE APPLICABLE MUST REMAIN WITHIN DIMENSIONS
∇ = 0	THIRD ANGLE PROJECTION	DRAWING	SERIES
		A2-SIZE	30700
DOCUMENT NUMBER		DOC TYPE	DOC PART
SD-30700-120		PSD	001
CUSTOMER		SHEET NUMBER	
GENERAL MARKET		2 OF 3	

**molex**

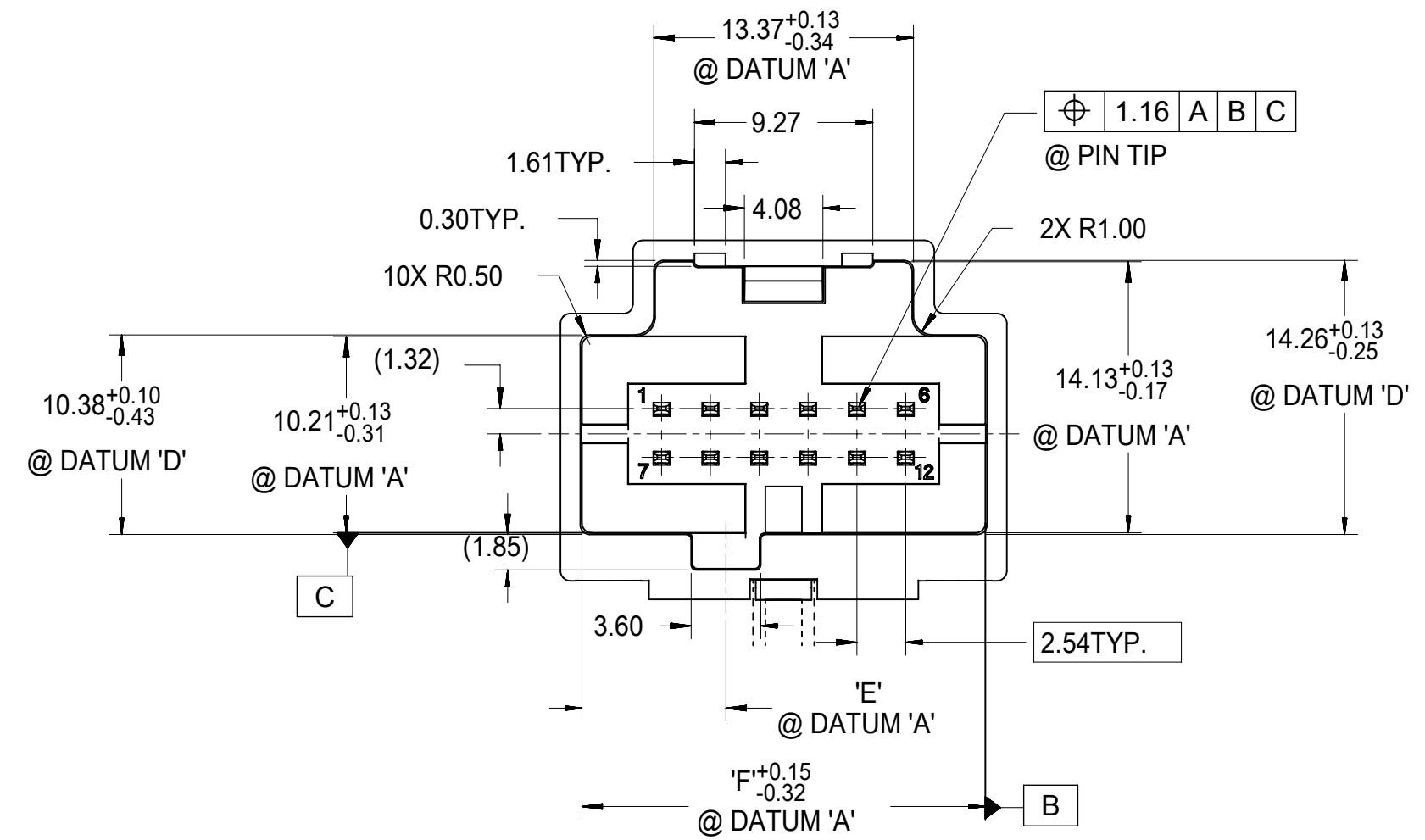
6-20 CIRCUIT  
 HARNESS ASSEMBLY

PRODUCT CUSTOMER DRAWING

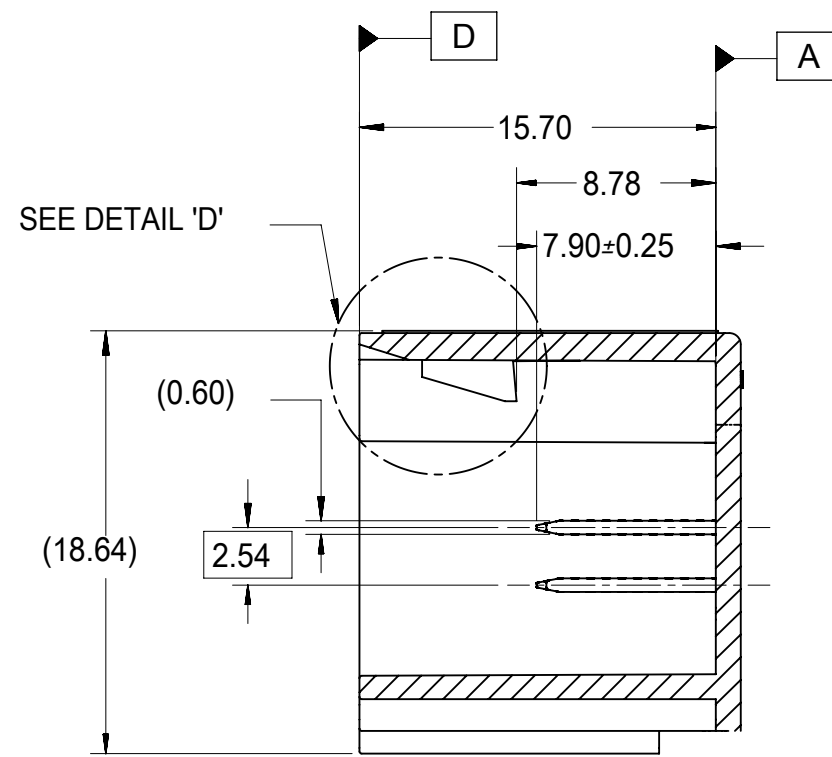
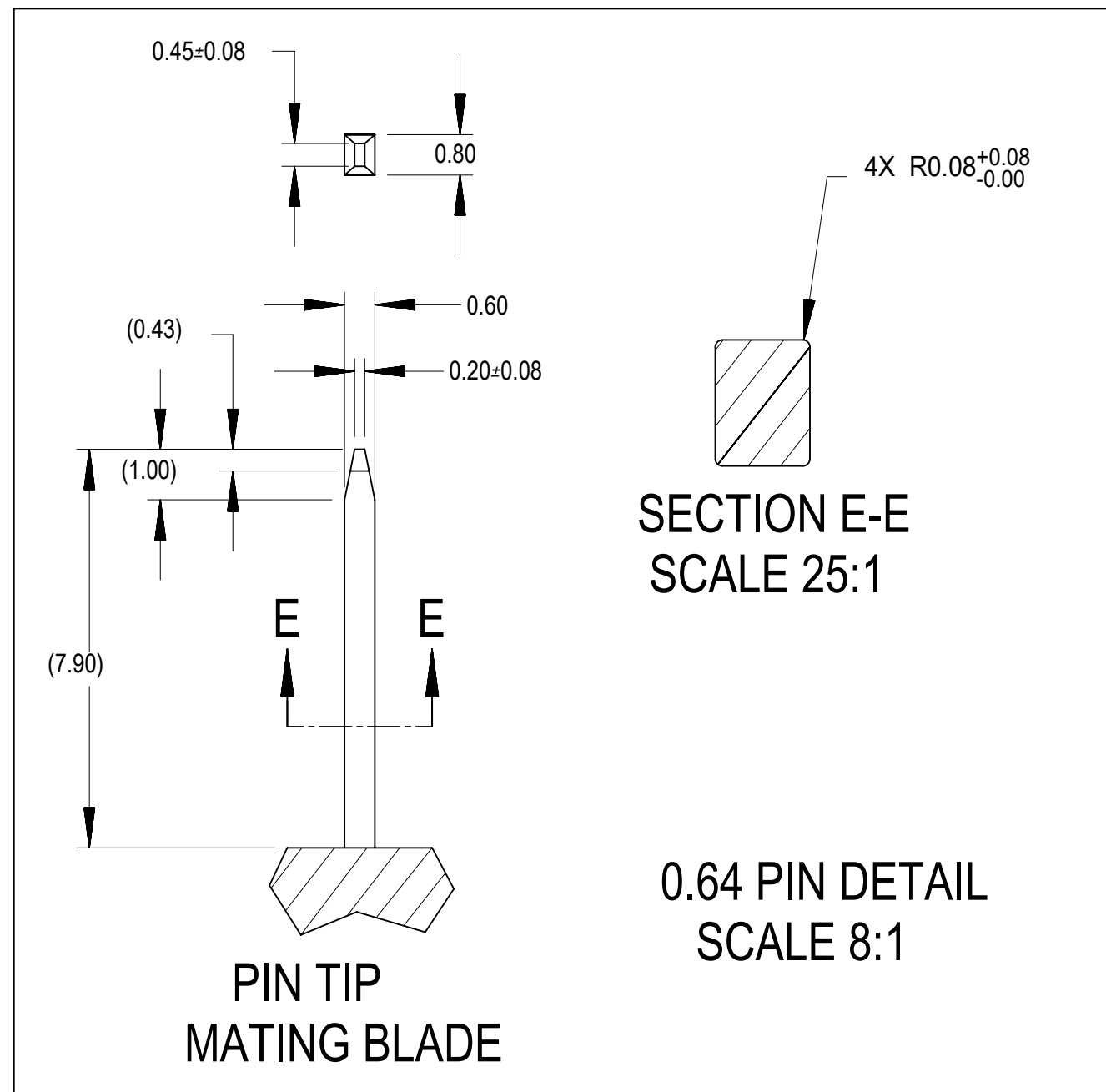
# MATING INTERFACE DIMENSIONS (REFERENCE ONLY)



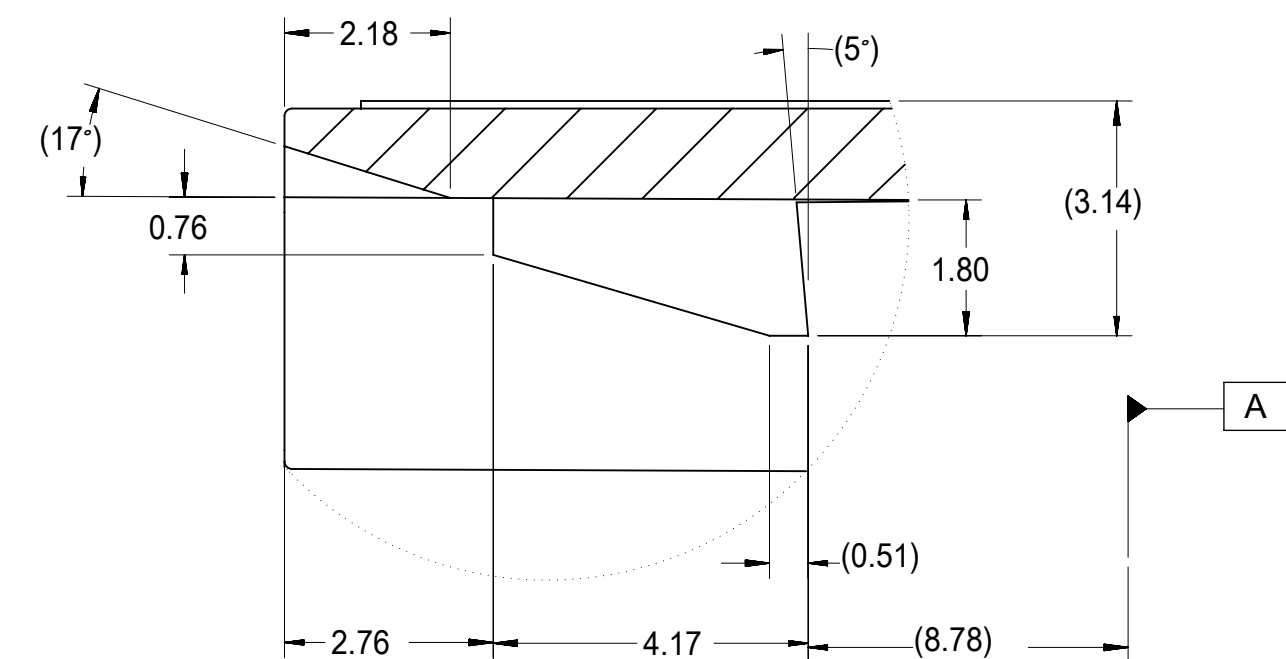
ABOVE VIEW APPLY TO 14, 16, 18 & 20 CIRCUIT ONLY



ABOVE VIEW APPLY TO 6, 8, 10 & 12 CIRCUIT ONLY



SECTION C-C



DETAIL 'D'  
SCALE 10:1

SYMBOLS	THIS DRAWING CONTAINS INFORMATION THAT IS PROPRIETARY TO MOLEX ELECTRONIC TECHNOLOGIES, LLC AND SHOULD NOT BE USED WITHOUT WRITTEN PERMISSION		CURRENT REV DESC:				
DIMENSION UNITS	SCALE						
∅ = 0	mm	2:1					
∇ = 0	GENERAL TOLERANCES (UNLESS SPECIFIED)						
∇ = 0	ANGULAR TOL ± 0.5°						
∇ = 0	4 PLACES ±						
∇ = 0	3 PLACES ±						
∇ = 0	2 PLACES ± 0.13						
∇ = 0	1 PLACE ± 0.25						
∇ = 0	0 PLACES ±						
∇ = 0	DRAFT WHERE APPLICABLE MUST REMAIN WITHIN DIMENSIONS						
THIRD ANGLE PROJECTION		DRAWING	SERIES	DOCUMENT NUMBER	DOC TYPE	DOC PART	REVISION
A2-SIZE		30700	3	SD-30700-120	PSD	001	J
MATERIAL NUMBER			CUSTOMER		SHEET NUMBER		
30700			GENERAL MARKET		3 OF 3		

**molex**

6-20 CIRCUIT  
HARNES ASSEMBLY

PRODUCT CUSTOMER DRAWING

DOCUMENT NUMBER DOC TYPE DOC PART REVISION

SD-30700-120 PSD 001 J

MATERIAL NUMBER CUSTOMER SHEET NUMBER

30700 GENERAL MARKET 3 OF 3