



产品编号 : 309681100

Product Description : 2.54mm Pitch, 0.64mm Width H-DAC 64 High Density Automotive Crimp Housing, Dual Row, 10 Circuits, Polarization Option #1, Gray

系列号 : 30968

状态 : Active

Product Category : Connector Housings

文件和资源

图纸

图纸 309681100_sd.pdf

包装设计图 PK-30907-760-001.pdf

3D 模型和设计文件

3D模型 309681100_stp.zip


规格

应用规格 AS-30700-000-001.pdf

产品规格 PS-30968-0001-001.pdf

产物环境合规

合规

GADSL/IMDS	Compliant
China RoHS	
EU ELV	Compliant per 2000/53/EC
Low-Halogen Status	Low-Halogen per IEC 61249-2-21
REACH SVHC	Not Contained per D(2023)8585-DC (23 Jan 2024)
EU RoHS	Compliant per EU 2015/863

多部分产品合规性声明

- Eu RoHS
- REACH SVHC
- Low-Halogen

- IPC 1752A Class C
- IPC 1752A Class D
- Molex Product Compliance Declaration
- IEC-62474

产品详情

常规

状态	活动
类别	Connector Housings
系列	30968
说明	2.54mm Pitch, 0.64mm Width H-DAC 64 High Density Automotive Crimp Housing, Dual Row, 10 Circuits, Polarization Option #1, Gray
应用	Automotive, Power, Wire-to-Wire
个评论	Polarization Option #1
产品系列	H-DAC 64 Unsealed Connector System
产品名称	H-DAC 64
UPC	800754879736

物理

电路数（最多）	10
颜色-树脂	灰色
性别	Plug
符合灼热丝规范	否
插接极性	无
锁定插接部位	是
材料 - 树脂	Modified Polystyrene
净重	5.130/g
行数	2
包装形式	Bag
面板安装式	否
间距 - 插配接口	2.54mm
有极性的插配件	是
可堆叠的	否
运行温度范围	-40° to +100° C

进程

无铅	不适用
----	-----

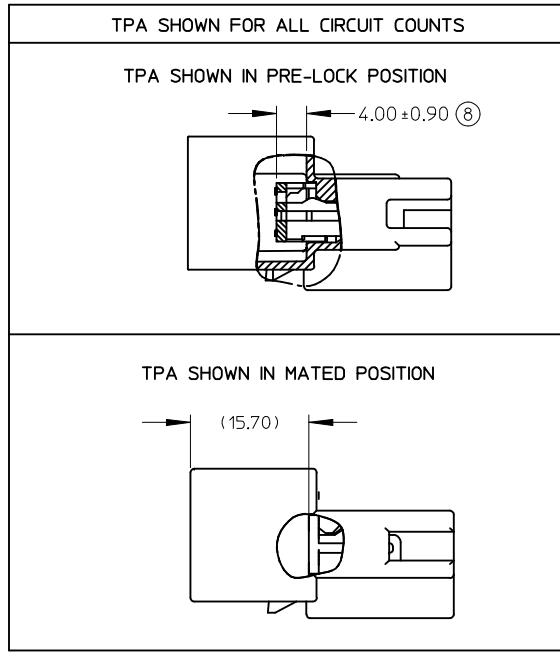
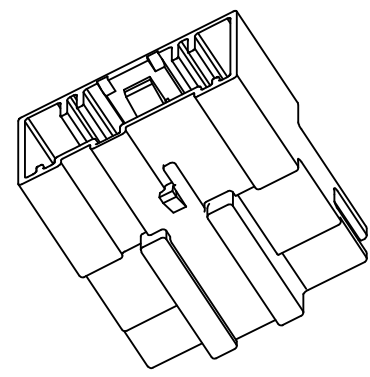
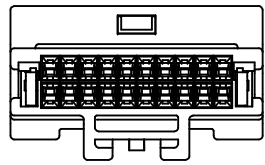
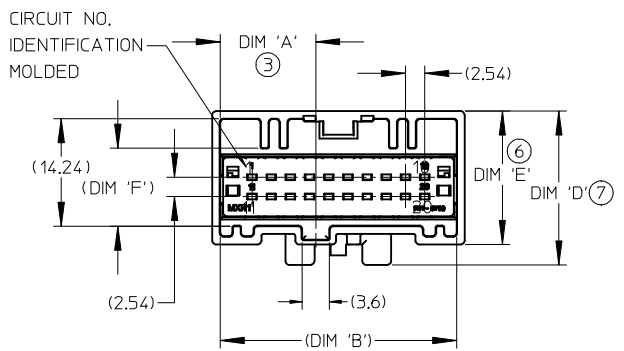
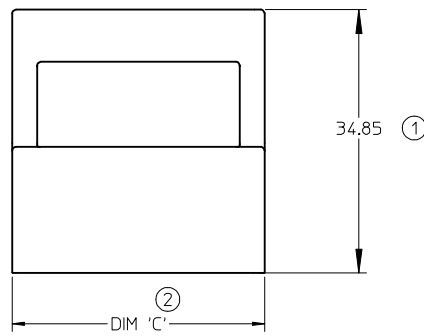
可配插/可连接使用的产品

可配插部件

描述	产品编号
H-DAC 64 High Density Automotive Connectors	<u>30700</u>

可连接使用部件

描述	产品编号
可装的端子等部件	Contact Molex for Terminal information.

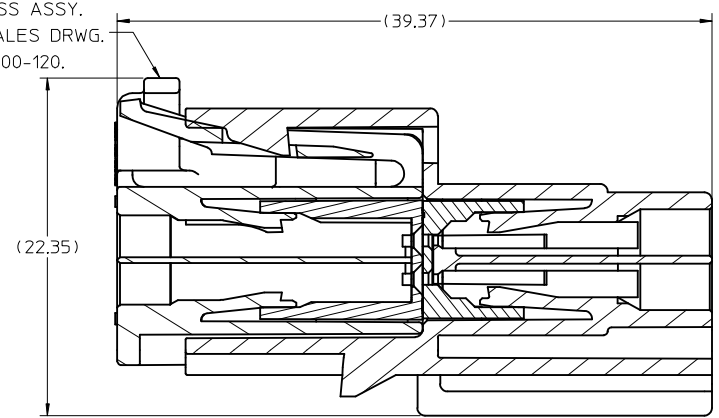


**20 CIRCUIT MALE INLINE
HARNESS ASSEMBLY SHOWN.**

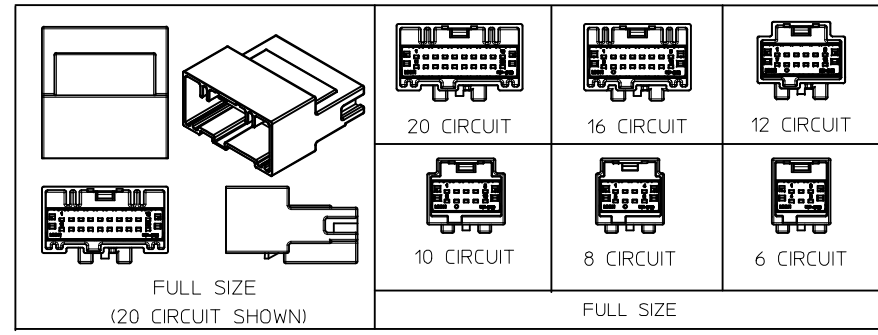
- NOTES:
1. MATERIAL: HOUSING: SPS GLASS FILLED, COLOR SEE CHART. TPA: PBT, COLOR RED
 2. PACKAGING SPECIFICATION: DRAWINGS BULK ----- PK-30907-760 PARTITION --- PK-31302-105
 3. PACKAGING: REFERENCE MOLEX SPECIFICATION PS-34646-001. AVAILABLE AT WWW.MOLEX.COM (REFERENCE: TPA'S THAT ARE FOUND IN SEATED (FINAL LOCK) POSITION.
 4. MATES WITH: SEE SALES DRAWING SD-30700-120
 5. CONNECTOR IS DESIGNED FOR USE WITH TYCO TERMINAL PART NUMBERS: 1-1419158-6(22-24 AWG) AND 2-1419158-5 (18-20 AWG).
 6. APPLICATION SPECIFICATION SEE: AS-30700-000
 7. PRODUCT SPECIFICATION SEE: PS-30968-0001

EC NO: UAU2016-0461 DRWN: KHEWITT 2015/09/04 CHKD: APPR: RBAUJMAN 2015/10/05 L3	QUALITY SYMBOLS ▼ - 0 ∇ - 0	GENERAL TOLERANCES (UNLESS SPECIFIED)		SCALE 2:1	DESIGN UNITS METRIC	THIRD ANGLE PROJECTION	REVISE ON CAD ONLY			
		4 PLACES ± --- ± ---	3 PLACES ± --- ± ---	2 PLACES ± 0.13 ± ---	1 PLACE ± 0.25 ± ---	DIMENSION STYLE MM ONLY		TITLE SLEEVE ASSEMBLY WIRE CONNECTOR MALE		
		ANGULAR ± 1/2°		DRAFT WHERE APPLICABLE MUST REMAIN WITHIN DIMENSIONS		DRAWN BY JKSIK DATE 99/09/03	CHECKED BY LGIIB DATE 99/10/28	MATERIAL NO. SEE CHART	DOCUMENT NO. SD-30968-120	SHEET NO. 1 OF 2
		THIS DRAWING CONTAINS INFORMATION THAT IS PROPRIETARY TO MOLEX INCORPORATED AND SHOULD NOT BE USED WITHOUT WRITTEN PERMISSION								

HARNESS ASSY.
SEE SALES DRWG.
SD-30700-120.



SECTION B-B
MATED VIEW



PACKAGING		POLARIZATION OPTIONS & CIRCUIT SIZE		PRODUCT DIMENSIONS								HOUSING COLOR	STATUS
ASSEMBLY P/N PARTITION PACKED	ASSEMBLY P/N BULK PACKED	MALE INLINE HARNESS ASSEMBLY (POLARIZATION OPTIONS)	CIRCUIT SIZE	'A'	'B'	'C'	'D'	'E'	'F'				
	30968-1060	POLARIZATION OPTION #1	6	3.76	13.51	15.61	19.78	17.58	10.37	GRAY	RELEASED		
	30968-1061	POLARIZATION OPTION #2	6	6.76	13.51	15.61	19.78	17.58	10.37	BLACK	RELEASED		
	30968-1062	POLARIZATION OPTION #3	6	9.76	13.51	15.61	19.78	17.58	10.37	NATURAL (CREAM)	NOT RELEASED		
	30968-1080	POLARIZATION OPTION #1	8	5.03	16.05	18.05	19.78	17.58	10.38	GRAY	RELEASED		
	30968-1081	POLARIZATION OPTION #2	8	8.03	16.05	18.05	19.78	17.58	10.38	BLACK	RELEASED		
	30968-1082	POLARIZATION OPTION #3	8	11.03	16.05	18.05	19.78	17.58	10.38	NATURAL (CREAM)	RELEASED		
30968-9100	30968-1100	POLARIZATION OPTION #1	10	6.30	18.59	20.69	19.78	17.58	10.37	GRAY	RELEASED		
30968-9101	30968-1101	POLARIZATION OPTION #2	10	9.30	18.59	20.69	19.78	17.58	10.37	BLACK	RELEASED		
	30968-1102	POLARIZATION OPTION #3	10	12.30	18.59	20.69	19.78	17.58	10.37	NATURAL (CREAM)	NOT RELEASED		
	30968-1123*	POLARIZATION OPTION #1 W/ CHRISTMAS TREE ATTACHMENT	12	7.57	21.28	23.23	20.34	17.64	10.34	GRAY	RELEASED		
	30968-1127	POLARIZATION OPTION #1	12	7.57	21.28	23.23	20.34	17.64	10.34	GRAY	RELEASED		
	30968-1126*	POLARIZATION OPTION #2 W/ CHRISTMAS TREE ATTACHMENT	12	10.57	21.28	23.23	20.34	17.64	10.34	BLACK	RELEASED		
	30968-1128	POLARIZATION OPTION #2	12	10.57	21.28	23.23	20.34	17.64	10.34	BLACK	RELEASED		
	30968-1129	POLARIZATION OPTION #3	12	13.57	21.28	23.23	20.34	17.64	10.34	NATURAL (CREAM)	RELEASED		
	30968-1167	POLARIZATION OPTION #1	16	10.11	26.36	28.31	20.34 +0.13 -0.20	17.64	10.34	GRAY	RELEASED		
	30968-1164*	POLARIZATION OPTION #1 W/ CHRISTMAS TREE ATTACHMENT	16	10.11	26.06	28.31	20.34 +0.13 -0.20	17.64	10.34	GRAY	RELEASED		
	30968-1168	POLARIZATION OPTION #2	16	13.11	26.36	28.31	20.34 +0.13 -0.20	17.64	10.34	BLACK	RELEASED		
	30968-1169	POLARIZATION OPTION #3	16	16.11	26.36	28.31	20.34 +0.13 -0.20	17.64	10.34	NATURAL (CREAM)	RELEASED		
	30968-1207	POLARIZATION OPTION #1	20	12.65	31.44	33.39	20.34	17.64	10.34	GRAY	RELEASED		
	30968-1208	POLARIZATION OPTION #2	20	15.65	31.44	33.39	20.34	17.64	10.34	BLACK	RELEASED		
	30968-1209	POLARIZATION OPTION #3	20	18.65	31.44	33.39	20.34	17.64	10.34	NATURAL (CREAM)	RELEASED		

*MOLEX INTERNAL CHRISTMAS TREE P/N 88794-1188

SEE ECN# UAU2001-0258 EC NO: UAU2016-0461 DRWN: KEWITT 2015/09/04 CHKD: APPR: RBAUJMAN 2015/10/05 REV	QUALITY SYMBOLS	GENERAL TOLERANCES (UNLESS SPECIFIED) DIMENSION STYLE 4 PLACES ± --- ± --- 3 PLACES ± --- ± --- 2 PLACES ± 0.13 ± --- 1 PLACE ± 0.25 ± --- ANGULAR ± 1/2° DRAFT WHERE APPLICABLE MUST REMAIN WITHIN DIMENSIONS	SCALE	DESIGN UNITS	THIRD ANGLE PROJECTION REVISIONS TITLE SLEEVE ASSEMBLY WIRE CONNECTOR MALE MOLEX MOLEX INCORPORATED APPROVED BY DATE MATERIAL NO. DOCUMENT NO. SHEET NO. BWILSON 99/10/28 SEE CHART SD-30968-120 2 OF 2 THIS DRAWING CONTAINS INFORMATION THAT IS PROPRIETARY TO MOLEX INCORPORATED AND SHOULD NOT BE USED WITHOUT WRITTEN PERMISSION
	DESCRIPTION		MM ONLY	METRIC	
	REV		DATE	DATE	
	L3		99/09/03	99/10/28	