



产品编号 : 314033100

系列号 : 31403

Product Category : Connector Housings

Product Description : 2.54mm MX64 Sealed Single Row Crimp Housing, MX64 Terminal, Black, 3 Circuits, Key A, without CPA Lock

状态 : Active

工程编号 : CVP-314033100

---

## 文件和资源

### 图纸

图纸 314033100\_sd.pdf

包装设计图 PK-31300-256-001.pdf

### 3D 模型和设计文件

3D模型 314033100\_stp.zip

### 规格

应用规格 314020000-000.pdf

应用规格 AS-31402-000-001.pdf


产品规格 PS-31402-000-001.pdf

测试摘要 TS-31402-001-1X3-001.pdf

---

## 产物环境合规

### 合规

|                    |   |
|--------------------|---|
| GADSL/IMDS         | Compliant   |
| China RoHS         |  |
| EU ELV             | Compliant per 2000/53/EC  |
| Low-Halogen Status | Low-Halogen per IEC 61249-2-21  |
| REACH SVHC         | Not Contained per D(2023)8585-DC (23 Jan 2024)  |
| EU RoHS            | Compliant per EU 2015/863   |

### 多部分产品合规性声明

- Eu RoHS
- REACH SVHC
- Low-Halogen
  
- IPC 1752A Class C
- IPC 1752A Class D

- Molex Product Compliance Declaration

- IEC-62474

- chemSHERPA (xml)

欧盟 RoHS 合格证书

---

## 产品详情

### 常规

|      |  |
|------|--|
| 状态   | 活动   |
| 类别   | Connector Housings   |
| 系列   | 31403  |
| 说明   | 2.54mm MX64 Sealed Single Row Crimp Housing, MX64 Terminal, Black, 3 Circuits, Key A, without CPA Lock |
| 应用   | Power, Wire-to-Board   |
| 产品系列 | MX64 Sealed Connectors   |
| 产品名称 | MX64   |
| UPC  | 822348133277   |

### 物理

|           |                 |
|-----------|-----------------|
| 电路数 (最多)  | 3               |
| 颜色-树脂     | 黑色              |
| 性别        | Receptacle      |
| 符合灼热丝规范   | 否               |
| 插接极性      | 是               |
| 锁定插接部位    | 是               |
| 材料 - 树脂   | PBT             |
| 净重        | 4.900/g         |
| 行数        | 1               |
| 包装形式      | Bag             |
| 面板安装式     | 否               |
| 间距 - 插配接口 | 2.54mm          |
| 极化        | A               |
| 有极性的插配件   | 是               |
| 运行温度范围    | -40° to +125° C |

## 进程

|    |     |
|----|-----|
| 无铅 | 不适用 |
|----|-----|

---

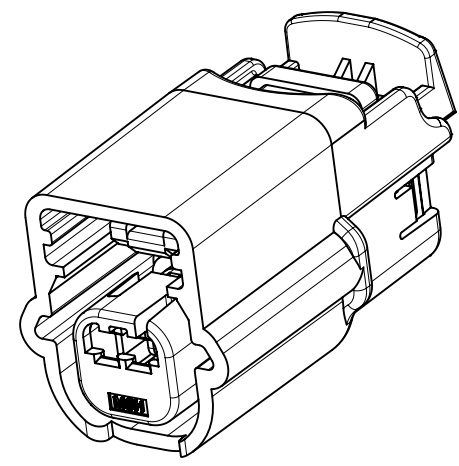
## 可配插/可连接使用的产品

### 可配插部件

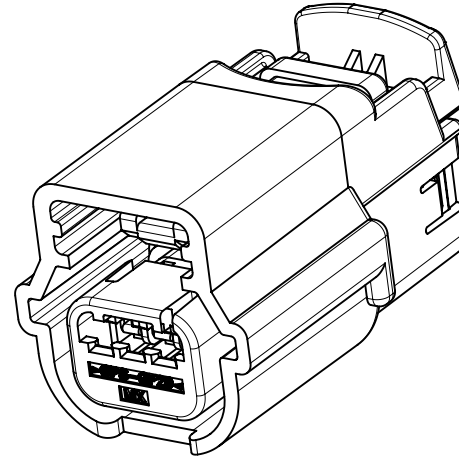
| 描述   | 产品编号                            |
|------|---------------------------------|
| 配插使用 | Sensors, Other USCAR Interfaces |

### 可连接使用部件

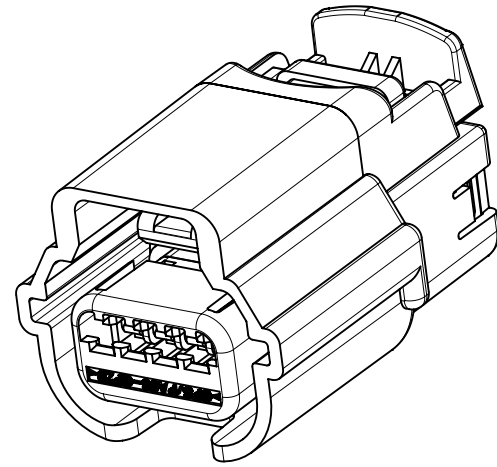
| 描述                    | 产品编号         |
|-----------------------|--------------|
| MX64 Female Terminals | <u>33467</u> |
| MX64 Female Terminals | <u>33468</u> |



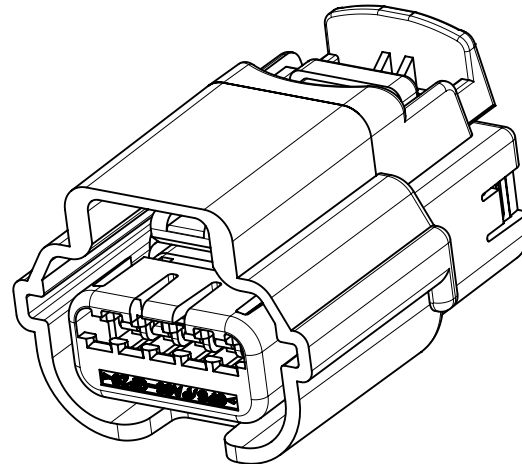
1X2



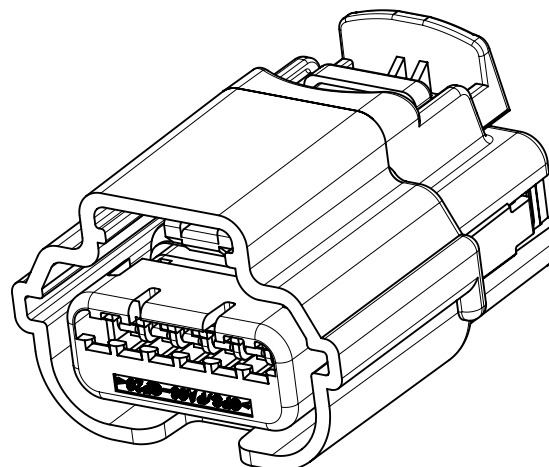
1X3



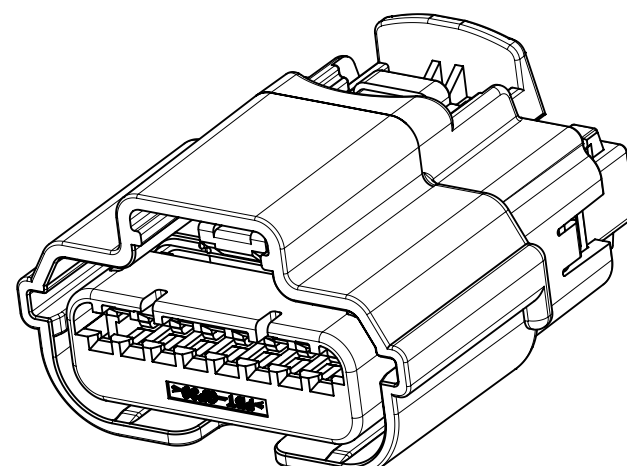
1X4



1X5



1X6



1X8

| TABLE OF CONTENTS |                                     |
|-------------------|-------------------------------------|
| SHEET NO.         | SHEET DESCRIPTION                   |
| 1                 | NOTES AND BOM                       |
| 2                 | CONNECTOR ASSEMBLY WITHOUT CLIPSLOT |
| 3                 | CONNECTOR ASSEMBLY WITH CLIPSLOT    |
| 4-5               | KEY CONFIGURATIONS                  |
| 6-9               | BOM                                 |

| DRAWING INFORMATION   |   |
|-----------------------|---|
| DESCRIPTION           | DRAWING NO.                             |
| PRODUCT SPECIFICATION | PS-31402-000                            |
|                       | FOR 31404 1X8 REFER TO PS-31404-001-1X8 |
| PACKAGING             | PK-31300-256                            |
| SALES DRAWING         | SD-31402-211                            |
|                       | FOR 31404 1X8 REFER TO SD-31404-811     |
| TEST SUMMARY          | FOR 1X2 REFER TO TS-31402-001-1X2       |
|                       | FOR 1X3 REFER TO TS-31402-001-1X3       |
|                       | FOR 1X6 REFER TO TS-31402-001-1X6       |
|                       | FOR 31404 1X8 REFER TO TS-31404-001-1X8 |

| MATING INTERFACE DRAWING |                      |
|--------------------------|----------------------|
| DESCRIPTION              | INTERFACE DEFINITION |
| 1X2                      | *064-S-002-1-Z02     |
| 1X3                      | *064-S-003-1-Z01     |
| 1X4                      | *064-S-004-1-Z02     |
| 1X5                      | *064-S-005-1-Z02     |
| 1X6                      | *064-S-006-1-Z02     |
| 1X8                      | *064-S-008-1-Z02     |

NOTES: VALID UNLESS OTHERWISE SPECIFIED

1. GENERAL:
  - a. APPLICATION SPECIFICATION SEE: AS-31402-000
    - CONTAINS: SEE AS CONTENT
    - DESIGNED TO MATE WITH DEVICE OR CONNECTOR AS SPECIFIED IN THE MATING INTERFACE DRAWINGS CHART.
    - \*DENOTES DRAWINGS THAT CAN BE ACCESSED AT <http://ewcap.uscarteams.org/>.
    - ASSEMBLY SHIPPED WITH PLR IN PRE-LOCK POSITION (SEE PLR PRE-LOCK VIEW ON SHEET 2 SECTION A-A).
  - b. PRODUCT RELATED DRAWING REFER TO DRAWING INFORMATION CHART
  - c. TPA'S MAY BECOME SEATED DURING TRANSIT. IF THIS OCCURS, TPA'S SHOULD BE MOVED TO THE PRE-LOCKED POSITION PRIOR TO FEMALE TERMINAL INSTALLATION. REFERENCE PRODUCT SPECIFICATION: PS-34646-001
  - d. PARTS MUST BE IN COMPLIANCE TO MOLEX CHEMICAL SUBSTANCES FOR PRODUCTS AND PACKAGING SPECIFICATION: QEHS-699000-301
  - e. DATA MUST BE SUBMITTED UNDER THE MOLEX PART NUMBER TO IMDS (COMPANY ID#13255)
  - f. SYSTEM EXCEPT SERIES 31404 1X8 CIRCUIT TO BE USED WITH OUTSIDE WIRE DIAMETERS RANGING FROM 1.20MM TO 2.06MM WITHIN RANGE OF:
    - SAE 22 AWG TO 18 AWG PER ESB-M1L123-A2
    - ISO 0.35MM<sup>2</sup> TO 0.75MM<sup>2</sup> PER GMW15626 AND ES-AU5T-1A348-AA
  - g. POLARIZATION FEATURE EFFECTIVENESS PER USCAR-2 PARAGRAPH 5.4.4 IS REDUCED WHEN TESTING ALL POLARIZATION OPTIONS: 100N MIN.
  - h. SEE SHEET #3 FOR CONNECTOR ASSEMBLY WITH CLIPSLOP
  - i. FOR CLIPSSLOT CONNECTOR: CLIP OVERHANGS CONNECTOR, PLEASE CHECK APPLICATION (COULD CAUSE WIRE CHAFING)-SHORTER CLIP IS A RECOMMENDATION.

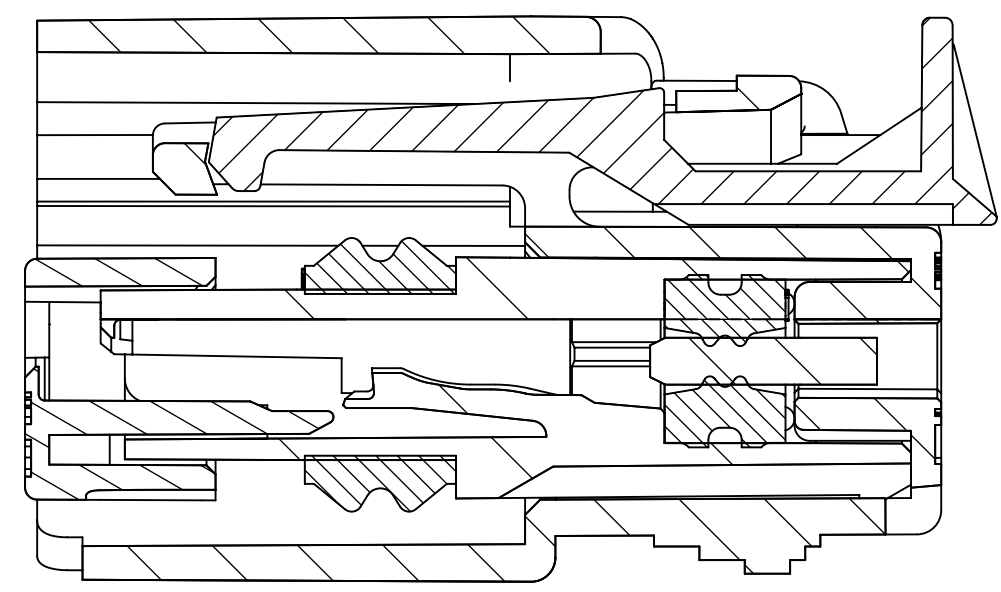
2. DESIGN - GEOMETRY:
  - a. THE 3-D CAD DATA IS BASIC (WITHOUT TOLERANCE) AND MASTER FOR THIS PART WITH THE EXCEPTION OF UNDERLINED DIMENSIONS. DIMENSIONAL INFORMATION NOT SHOWN ON THIS DRAWING IS DEFINED BY THE DATA FILE AT ITS LATEST REVISION.
  - b. GEOMETRIC DIMENSIONS AND TOLERANCES PER ASME Y14.5M-2009
  - c. EDGES AND UNDIMENSIONED DETAILS PER ISO13715
  - d. CORNERS SHOWN AS SHARP TO BE R 0.2 MAX.
  - e. LETTERING SHALL BE 0.15 MAX RAISED IN 0.25 MAX RECESS PAD. THIS INCLUDES RECYCLING CODE, CAVITY ID, VENDOR IDENTIFICATION, AND CUSTOMER MATERIAL NUMBER.
  - f. VISUAL DEFECTS SHALL MEET COSMETIC STANDARD PS-45499-002 (Class B).
  - g. DATE CODE: FIRST TWO DIGITS ARE THE CALENDAR YEAR (EXAMPLE: 04 = 2004). THIRD THROUGH 5TH DIGIT DAY # OF THE CALENDAR YEAR (EXAMPLE: FEB. 3RD = '034').

PART NUMBER LEGEND  
CONNECTOR ASSEMBLY

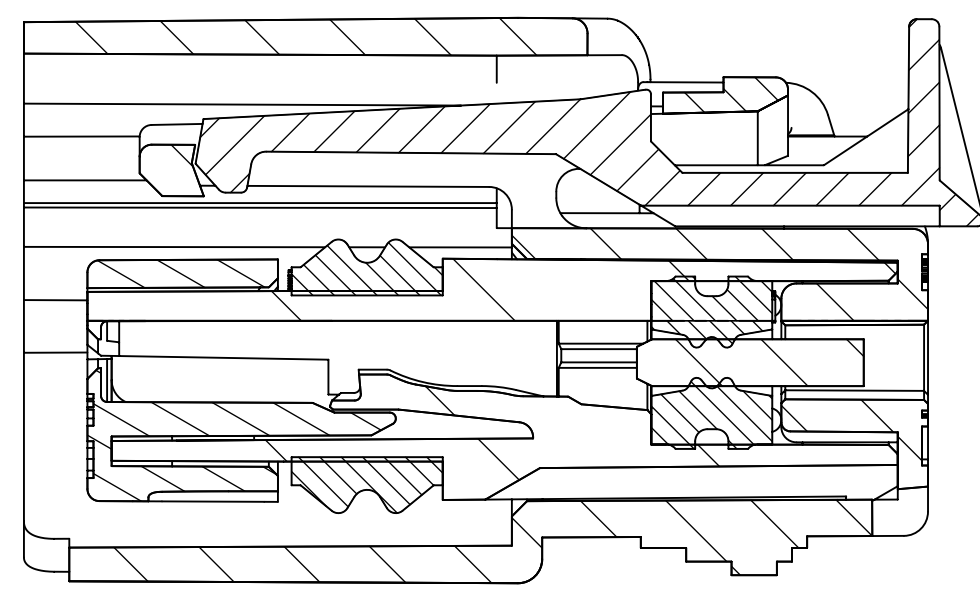
- 3140X-XXXX
  - SEAL PLUG CONFIGURATION (AS MOLDED)
    - 0 - ALL CIRCUITS OPEN
    - 1-9 SEE CHART
  - CPA OPTION
    - 0 OR 2 - WITHOUT CPA
    - 1 OR 3 - WITH CPA
    - 4 - WITHOUT CPA, WITH CLIPSLOT
    - 5 - WITH CPA, WITH CLIPSLOT
  - USCAR POLARIZATION OPTION
    - 1 - POLARIZATION OPTION A
    - 2 - POLARIZATION OPTION B
    - 3 - POLARIZATION OPTION C
    - 4 - POLARIZATION OPTION D
    - 5 - POLARIZATION OPTION B, BLACK
    - 6 - POLARIZATION OPTION C, BLACK
    - 7 - POLARIZATION OPTION D, BLACK
    - 8 - POLARIZATION OPTION C, NATURAL
    - 9 - POLARIZATION OPTION D, GRAY
    - 0 - POLARIZATION OPTION D, DARK GRAY
  - CIRCUIT SIZE 2, 3, 4, 5, 6 & 8
    - 6 - CIRCUIT SIZE 6, WITH 31412-6500 OR 31412-6501 RING SEAL (FOR 31402 AND 31403 SERIES) WITH 31412-6500 RING SEAL (FOR 31404 SERIES)
    - 7 - CIRCUIT SIZE 6, WITH 31412-6501 RING SEAL (FOR 31404 SERIES)
  - TERMINAL OPTION
    - 2 - TYCO/MOLEX GET 0.64
    - 3 - MOLEX 0.64
    - 4 - YAZAKI KAIZEN 0.64/TE GEN Y 0.64/JST AIT 0.64

|     |   |
|-----|---|
| U7  | ADD P/N: 31402-6134 to 31402-6124   |
| U6  | ADD P/N: 31402-6001 to 31402-6006<br>31403-6001 to 31403-6006<br>31404-6001 to 31404-6012   |
| U5  | ADD P/N: 31402-6122/6132/6123/6133, 31403-6105/6115/6502/6512   |
| U4  | DELETE P/N 31402-2120/2130  |
| U3  | DELETE OBSOLETE P/NS (31404-6XXX)<br>DELETE P/N WITH GREEN AND BROWN COLOR  |
| U2  | ADD P/N: 31404-7126, 31404-7136   |
| U1  | ADD P/N: 31402-3115, 31402-3105   |
| U   | OBSOLETE P/N 31404-6XXX   |
| T8  | ADD P/N: 31404-7804, 31404-7814   |
| T7  | CHANGE STATUS FROM "TOOLED" TO "SALEABLE"<br>ADD P/N 31404-7135/7125, 31404-7216/7206, 31404-7913/7903  |
| T6  | ADD P/N: 31404-7124, 31404-7134, 31404-7205, 31404-7215, 31404-7803, 31404-7813   |
| T5  | ADD P/N: 31404-7123; 31404-7133; 31404-7902; 31404-7912   |
| T4  | ADD P/N: 31402-2120, 31402-2130, 31402-3104, 31402-3114, 31402-6201, 31402-6211, 31402-6301, 31402-6311, 31402-6401, 31402-6411, 31402-6501, 31402-6511, 31402-6601, 31402-6611, 31402-6701, 31402-6711, 31403-6201, 31403-6211, 31403-6301, 31403-6311, 31403-6401, 31403-6411, 31403-6501, 31403-6511, 31403-6601, 31403-6611, 31403-6701, 31403-6711, 31404-6201, 31404-6211 |
| T2  | UPDATE BOM INFORMATION ON SHEET 9   |
| T1  | DELETE 31402/31403-7*** P/N   |
| T   | ADD P/N 3140*-7XXXX FOR 1X6 WITH 31412-6501 RING SEAL VERSION ON SHEET 9  |
| S   | ADD P/N: 31402-6131; 31402-6121   |
| R   | ADD P/N: 31404-3112; 31404-3102   |
| P   | ADD P/N: 31403-3132; 31403-3122   |
| M   | ADD P/N: 31402-6118; 31402-6108   |
| REV | REV DESCRIPTION   |

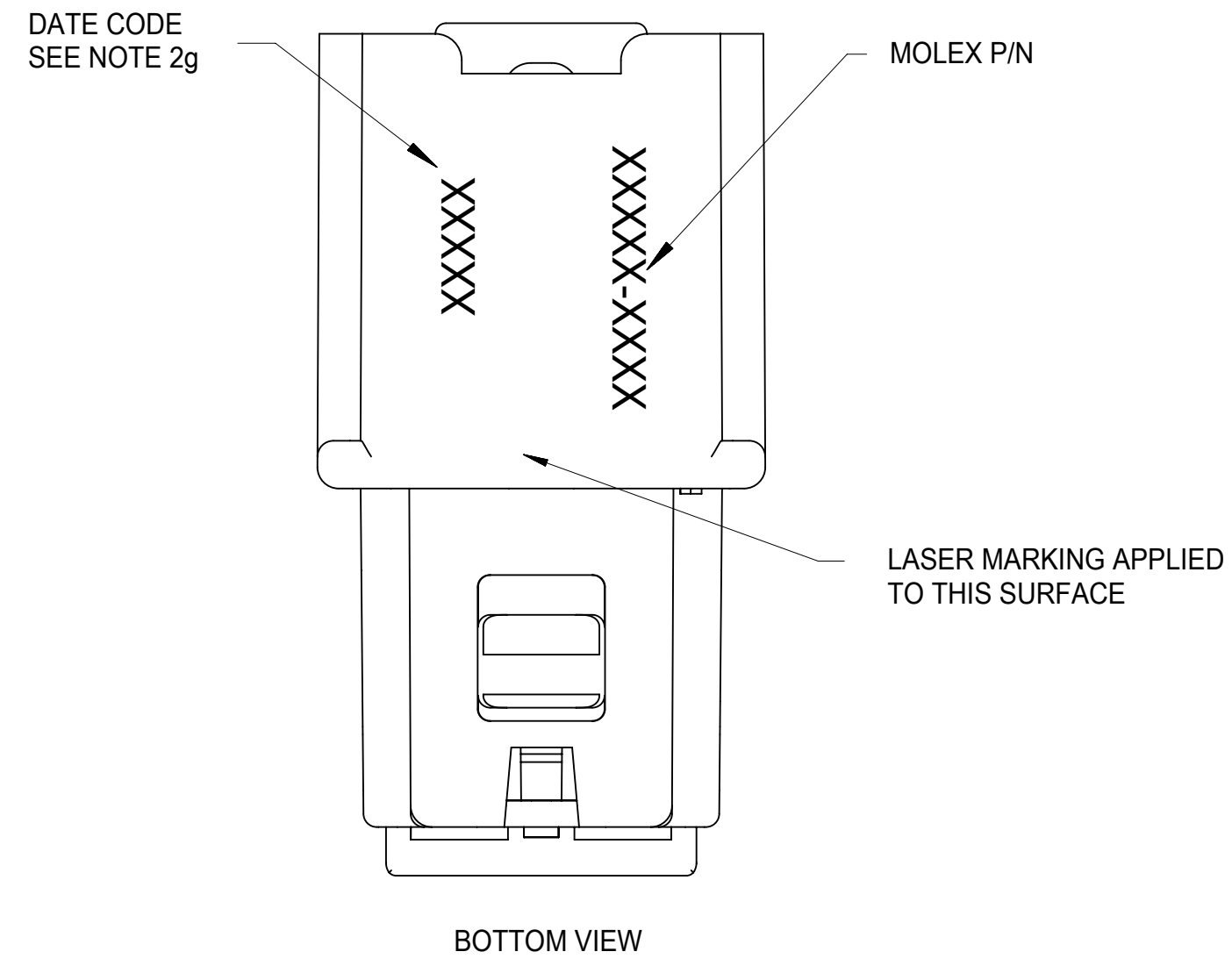
|                    |   |   |                            |  |
|--------------------|---|---|----------------------------|--|
| FUNCTIONAL SYMBOLS | THIS DRAWING CONTAINS INFORMATION THAT IS PROPRIETARY TO MOLEX ELECTRONIC TECHNOLOGIES, LLC AND SHOULD NOT BE USED WITHOUT WRITTEN PERMISSION |   | CURRENT REV DESC:          | <p><b>molex</b></p> <p>0.64 USCAR CONNECTOR<br/>SEALED SINGLE ROW ASSEMBLY</p> <p>PRODUCT CUSTOMER DRAWING</p> |
|                    | DIMENSION UNITS: <b>mm</b><br>SCALE: <b>1:1</b>   | GENERAL TOLERANCES (UNLESS SPECIFIED)<br>ANGULAR TOL ± 3.0°<br>4 PLACES ±<br>3 PLACES ±<br>2 PLACES ± 0.13<br>1 PLACE ± 0.3<br>0 PLACES ± |                            |  |
| DIVISIONAL SYMBOLS | DRAFT WHERE APPLICABLE<br>MUST REMAIN WITHIN DIMENSIONS   |   | THIRD ANGLE PROJECTION<br> | DRWING: RCARLSON<br>APPR: PBERG<br>2004/03/01<br>2004/09/30  |
| DOCUMENT STATUS    | P1  | RELEASE DATE  | 2021/10/11 02:34:41        | DOCUMENT NUMBER: <b>SD-31402-211</b><br>DOC TYPE: PSD<br>DOC PART: 001<br>REVISION: U7                         |
| MATERIAL NUMBER    |   |   | CUSTOMER                   |  |
| D-SIZE             |   |   | 31402                      |  |
| GENERAL MARKET     |   |   | SHEET NUMBER               |  |
|                    |   |   | 1 OF 8                     |  |



**SECTION A-A**  
TPA SHOWN IN AS-SHIPPED  
PRE-LOCKED POSITION  
SEE NOTE 1c

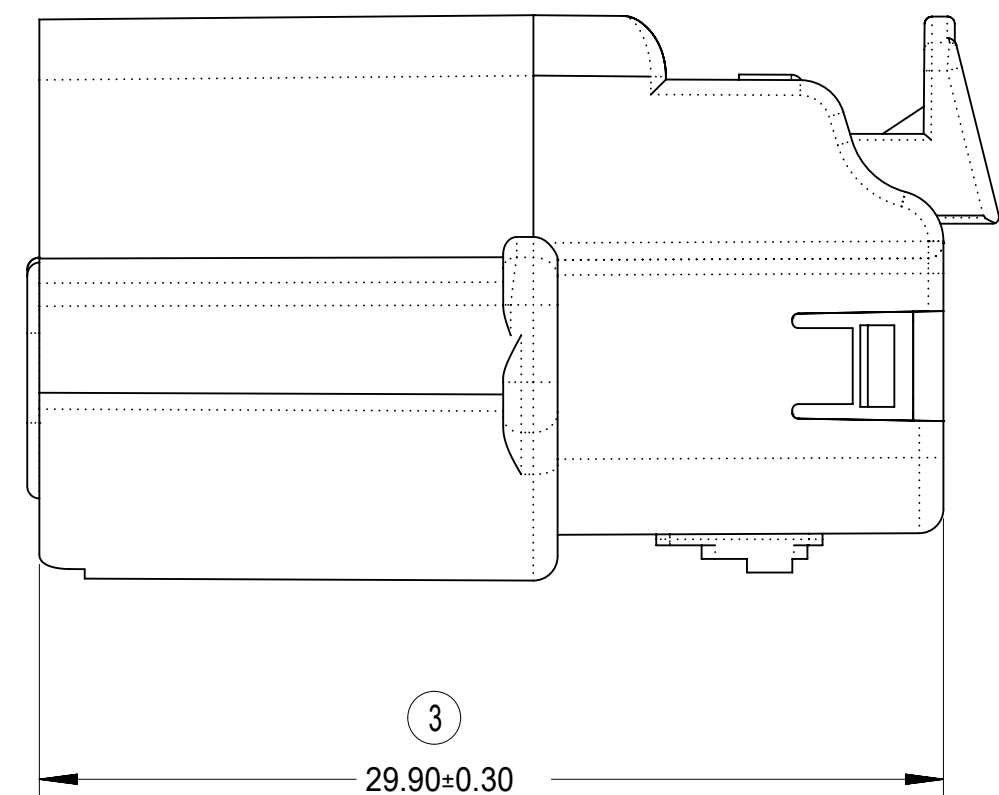
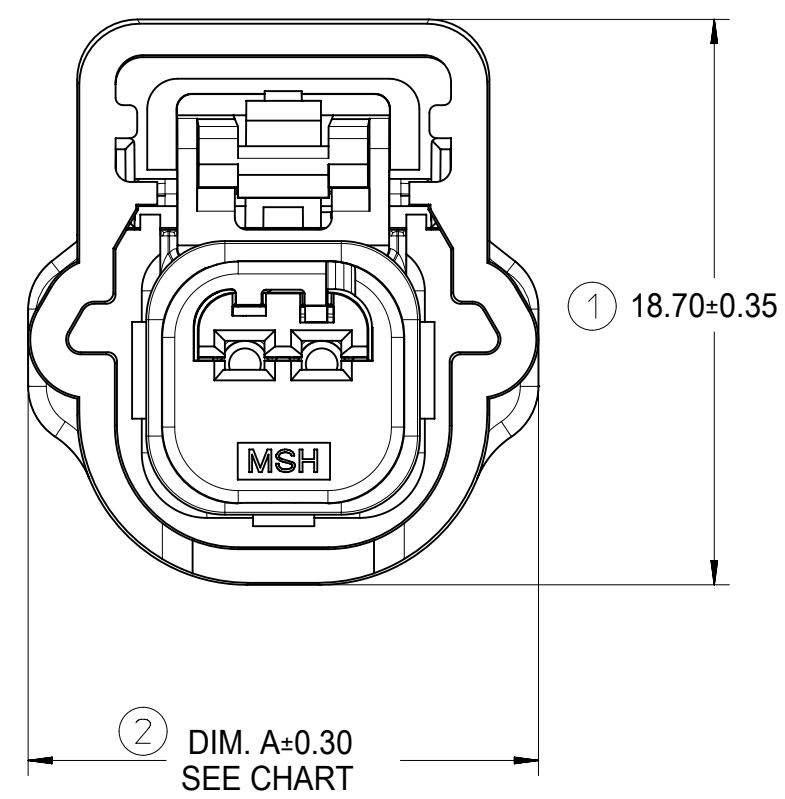
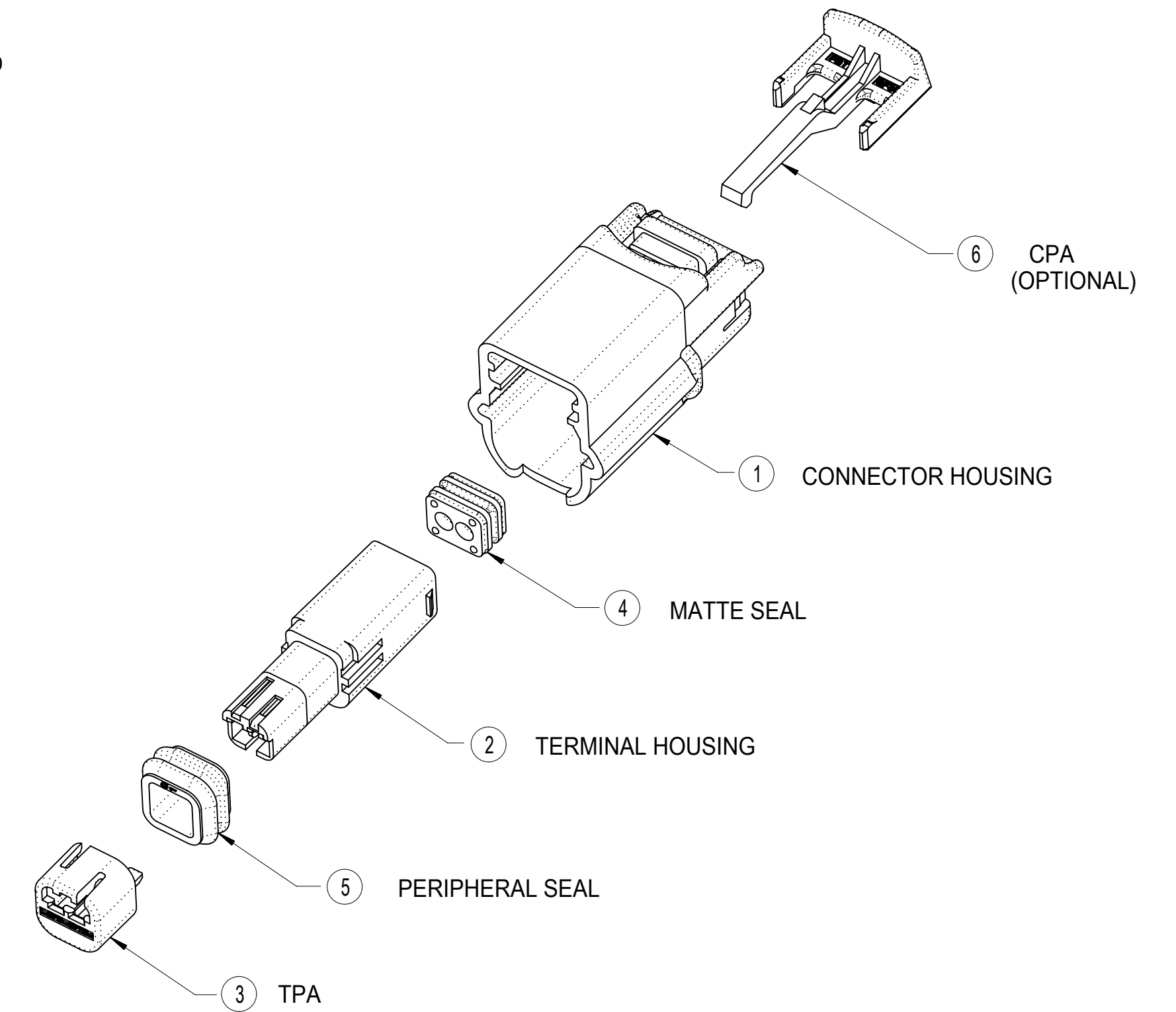


**SECTION A-A**  
TPA SHOWN IN FINAL  
LOCKED POSITION

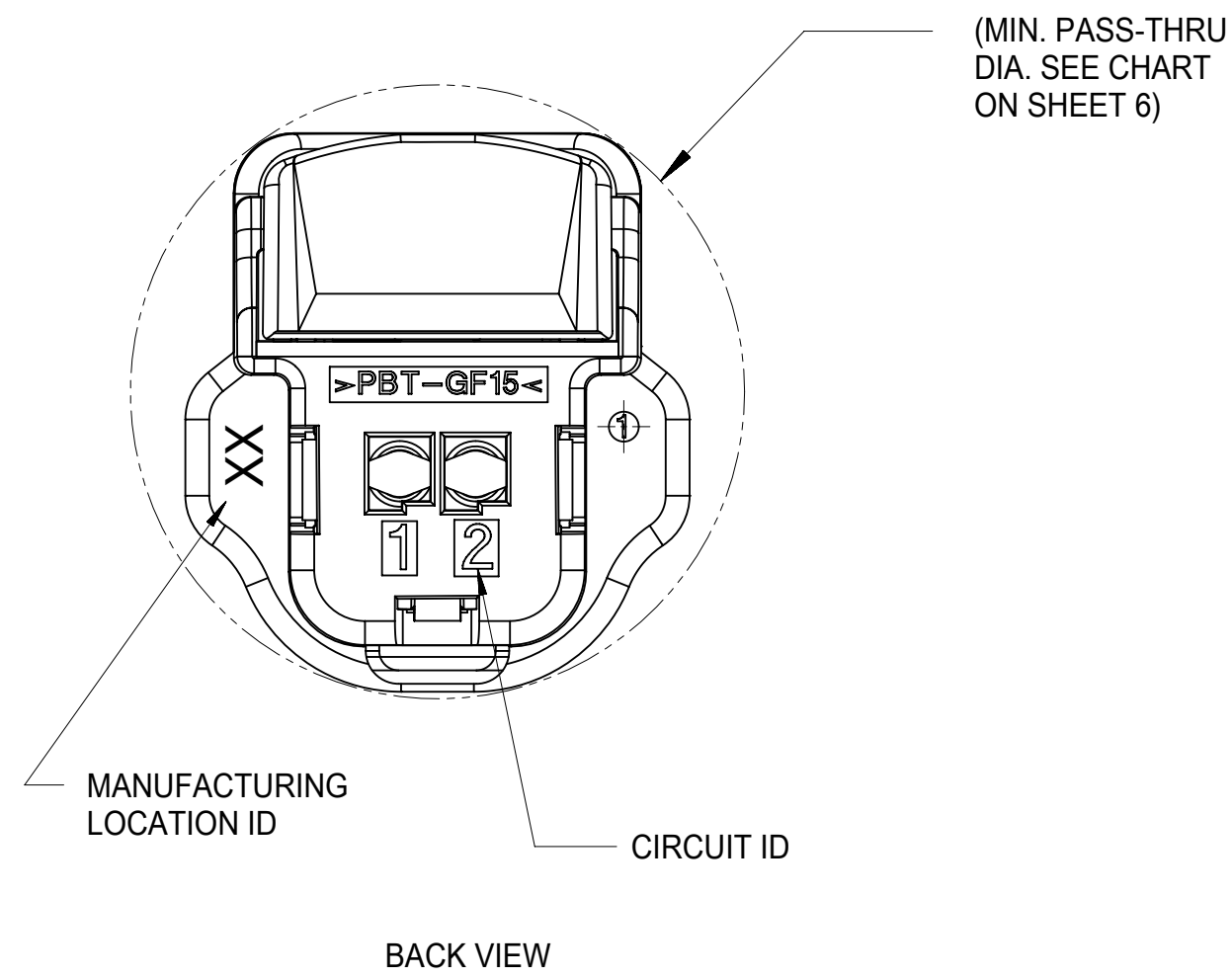


BOTTOM VIEW

# CONNECTOR ASSEMBLY WITHOUT CLIPSLOT



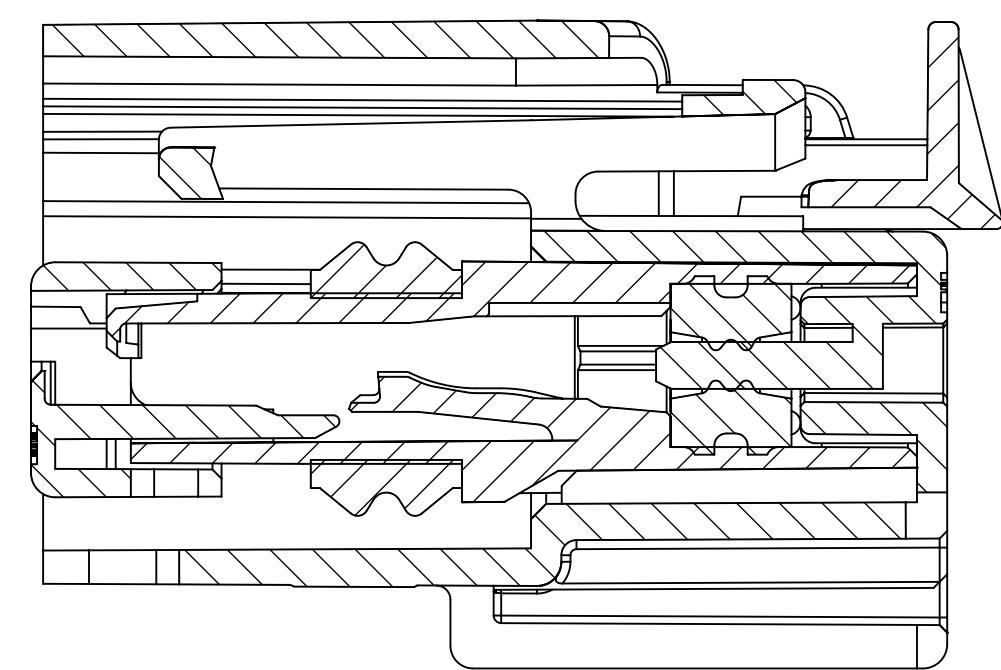
RIGHT SIDE VIEW



BACK VIEW

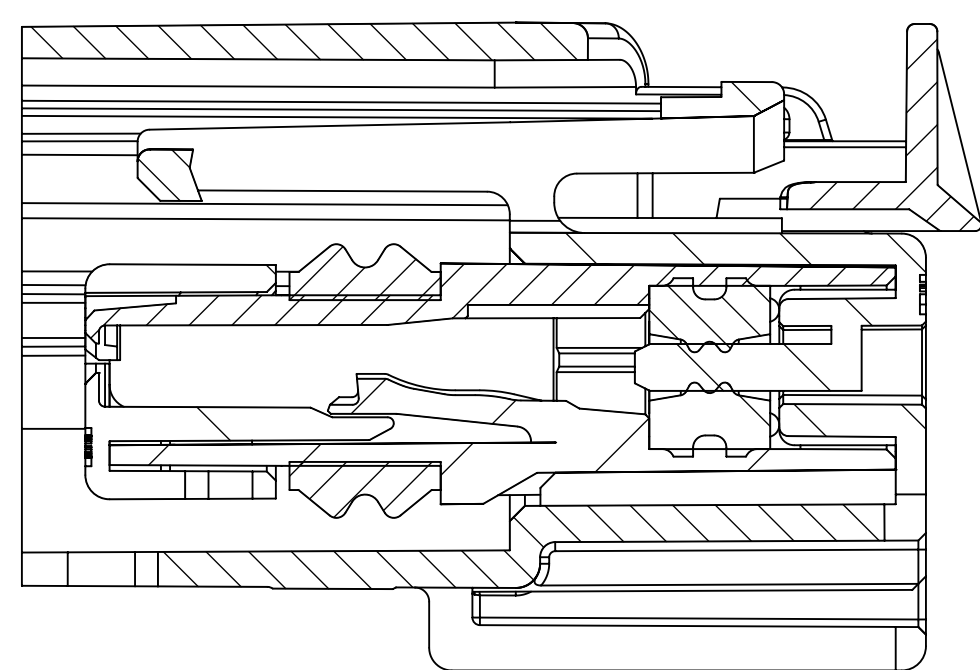
| ITEM | DESCRIPTION       | COLOR     | MATERIAL        |
|------|-------------------|-----------|-----------------|
| 1    | CONNECTOR HOUSING | SEE CHART | PBT GF15        |
| 2    | TERMINAL HOUSING  | BLACK     | SPS/PA66 GF30   |
| 3    | TPA               | NATURAL   | SPS/PA66 GF20   |
| 4    | MATTE SEAL        | SEE CHART | SILICONE RUBBER |
| 5    | PERIPHERAL SEAL   | SEE CHART | SILICONE RUBBER |
| 6    | CPA - OPTIONAL    | RED       | PBT GF30        |

|   |   |                           |                          |                          |  |
|---|---|---------------------------|--------------------------|--------------------------|--|
| FUNCTIONAL SYMBOLS<br>FA = 0<br>FC = 0<br>FD = 0        | THIS DRAWING CONTAINS INFORMATION THAT IS PROPRIETARY TO MOLEX ELECTRONIC TECHNOLOGIES, LLC AND SHOULD NOT BE USED WITHOUT WRITTEN PERMISSION |                           | CURRENT REV DESC:        |                          | <b>molex</b>                                       |
|   | DIMENSION UNITS<br>mm   | SCALE<br>1:1              |                          |                          |  |
| DIVISIONAL SYMBOLS                                      | GENERAL TOLERANCES (UNLESS SPECIFIED)   |                           | EC NO: 679773            |                          | 0.64 USCAR CONNECTOR<br>SEALED SINGLE ROW ASSEMBLY |
|   | ANGULAR TOL ± 3.0°  |                           | DRWN: MCHEN37 2021/09/23 |                          |  |
| 4 PLACES ±  |   | CHK'D: LSONG05 2021/10/08 |                          | PRODUCT CUSTOMER DRAWING |  |
| 3 PLACES ±  |   | APPR: CDZHANG 2021/10/11  |                          | DOCUMENT NUMBER          |  |
| 2 PLACES ± 0.13   |   | INITIAL REVISION:         |                          | DOC TYPE                 |  |
| 1 PLACE ± 0.3   |   | DRWN: RCARLSON 2004/03/01 |                          | DOC PART                 |  |
| 0 PLACES ±  |   | APPR: PBERG 2004/09/30    |                          | REVISION                 |  |
| DRAFT WHERE APPLICABLE<br>MUST REMAIN WITHIN DIMENSIONS |   | THIRD ANGLE PROJECTION    | DRAWING                  | SERIES                   | SHEET NUMBER                                       |
|   |   |                           | D-SIZE                   | 31402                    | 2 OF 8   |
|   |   | MATERIAL NUMBER           |                          | CUSTOMER                 |  |
|   |   | SD-31402-211              |                          | GENERAL MARKET           |  |



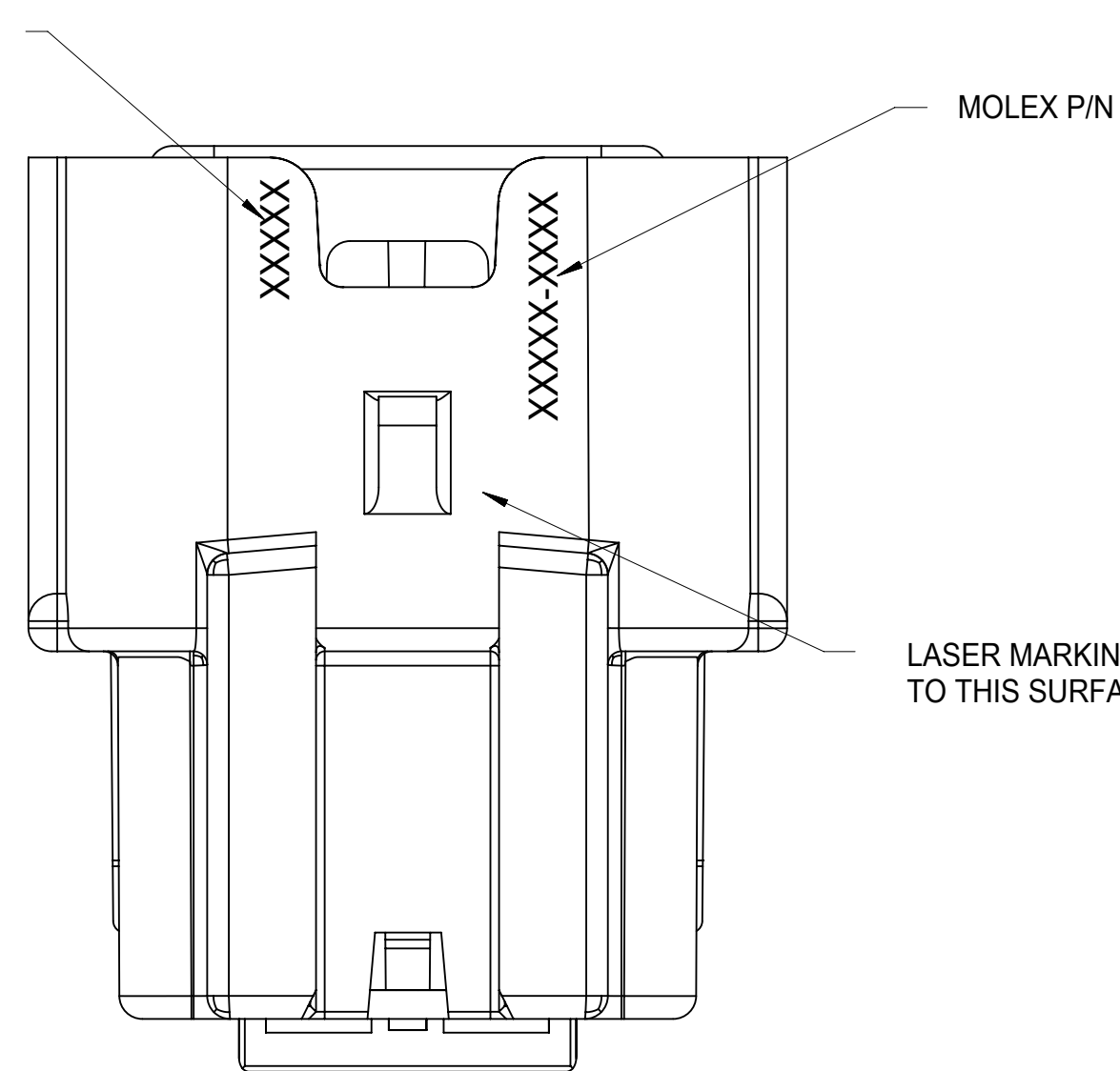
**SECTION C-C**

TPA SHOWN IN AS-SHIPPED  
PRE-LOCKED POSITION  
SEE NOTE 1c



**SECTION C-C**

TPA SHOWN IN FINAL  
LOCKED POSITION

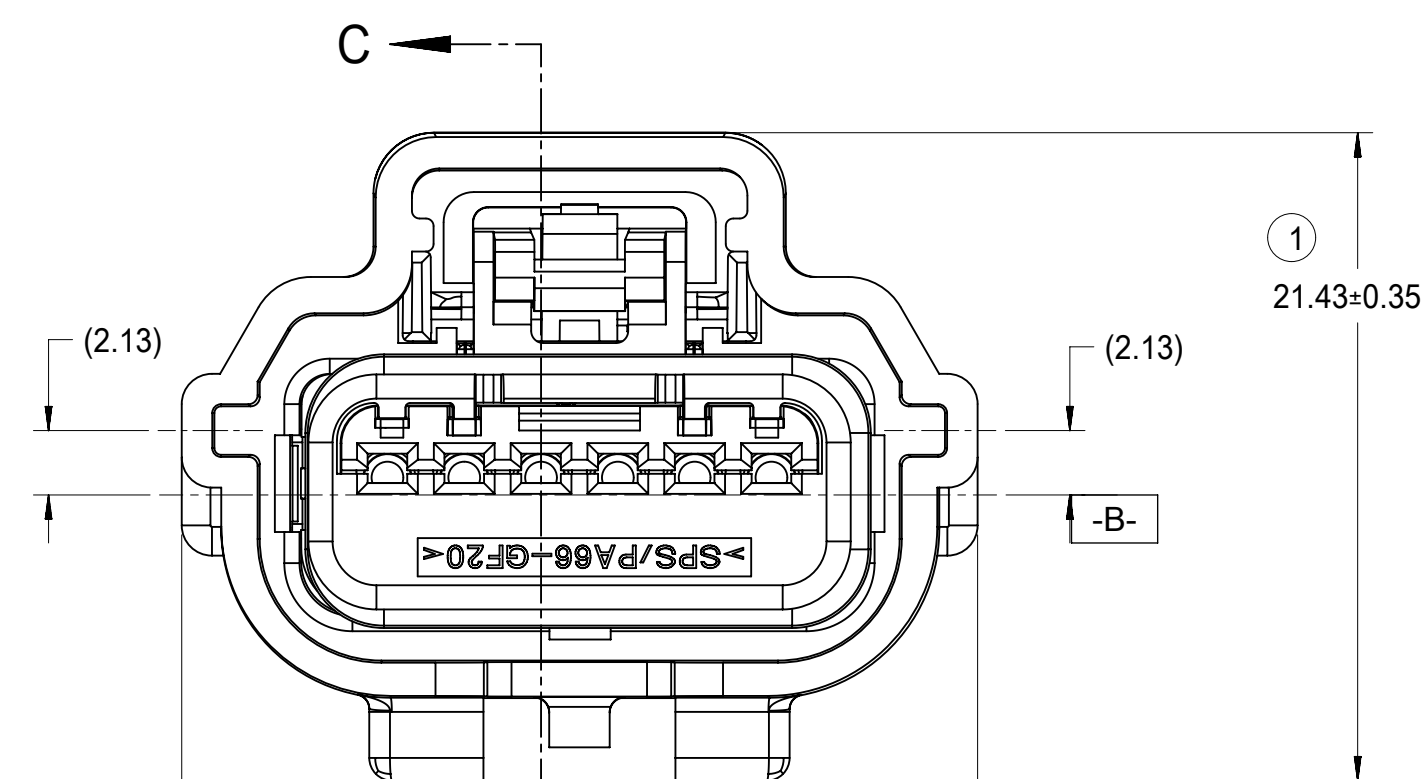
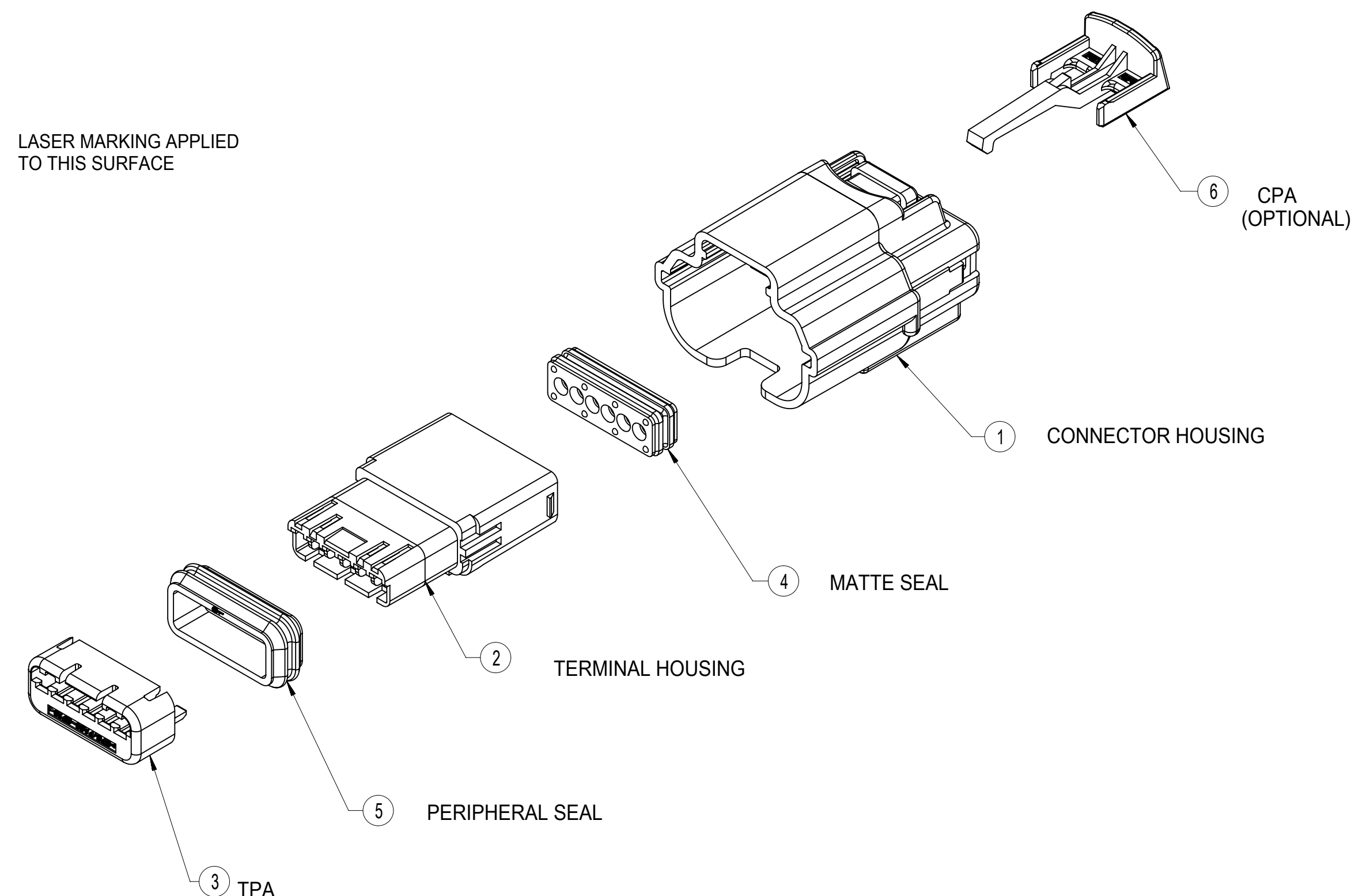


**BOTTOM VIEW**

MOLEX P/N  
LASER MARKING APPLIED  
TO THIS SURFACE

DATE CODE  
SEE NOTE 2g

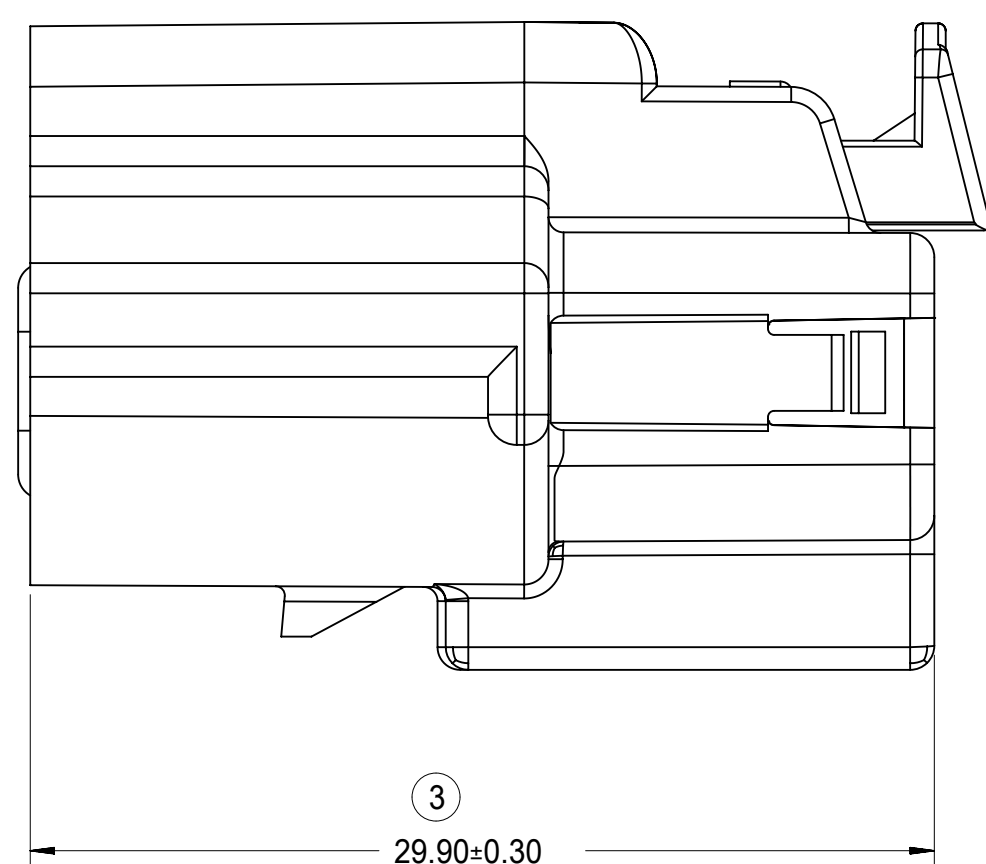
# CONNECTOR ASSEMBLY WITH CLIPSLOT



DIM A=0.30  
SEE CHART

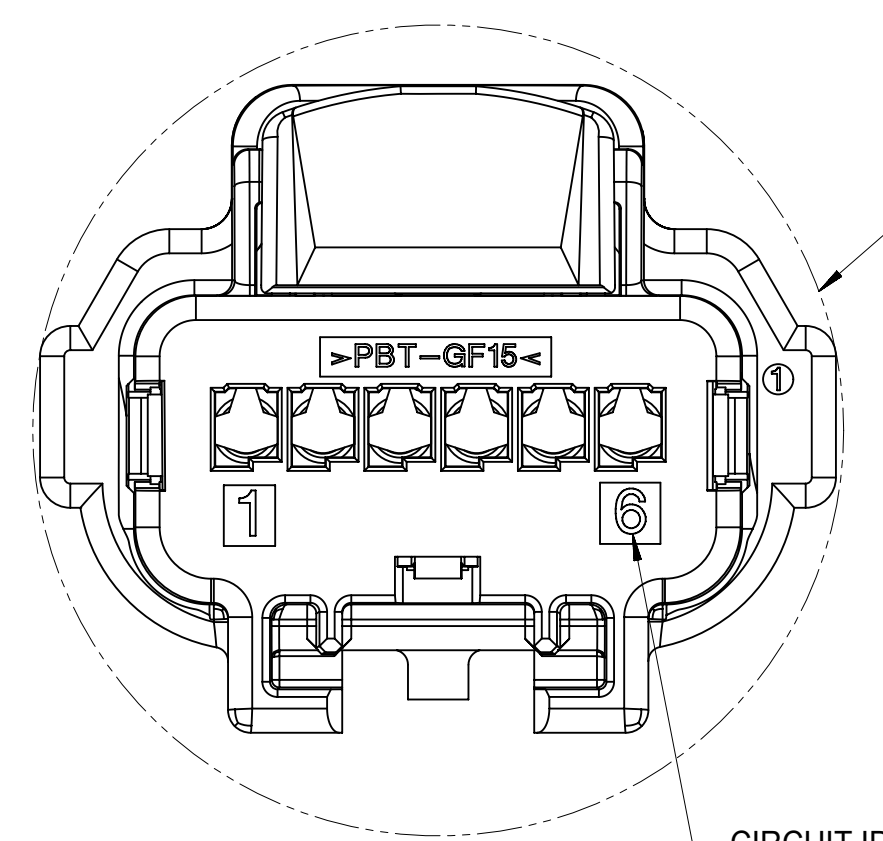
**FRONT VIEW**

POLARIZATION A



(3) 29.90±0.30

**RIGHT SIDE VIEW**



**BACK VIEW**

(MIN. PASS-THRU  
DIA. SEE CHART  
ON SHEET 7)

CIRCUIT ID

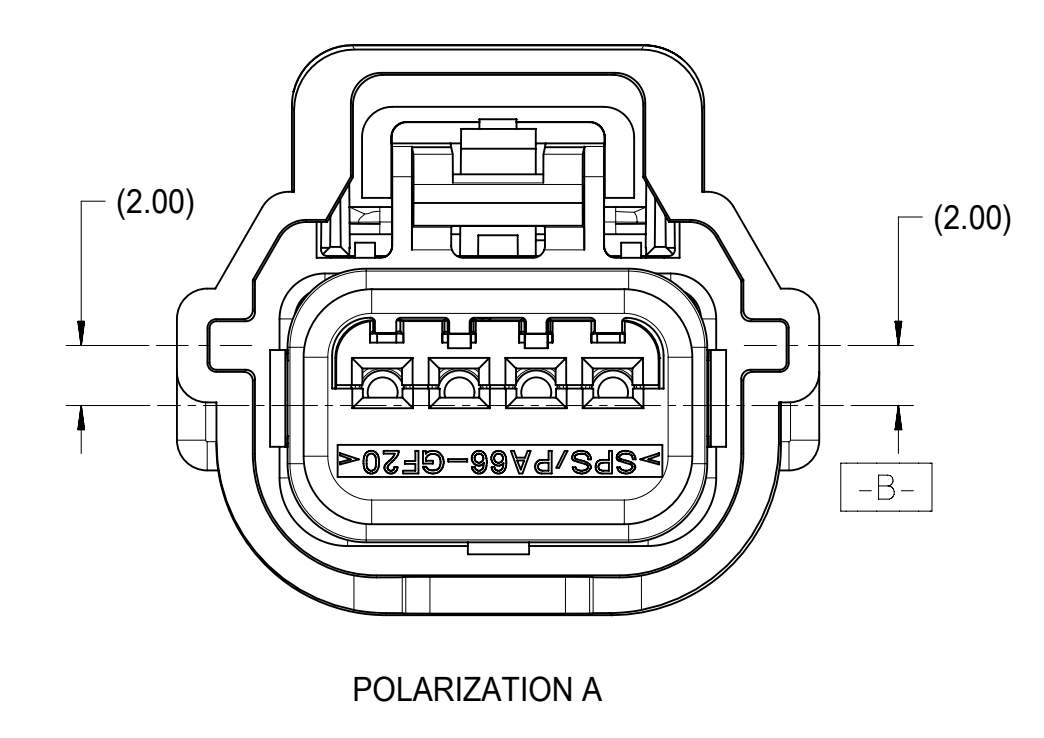
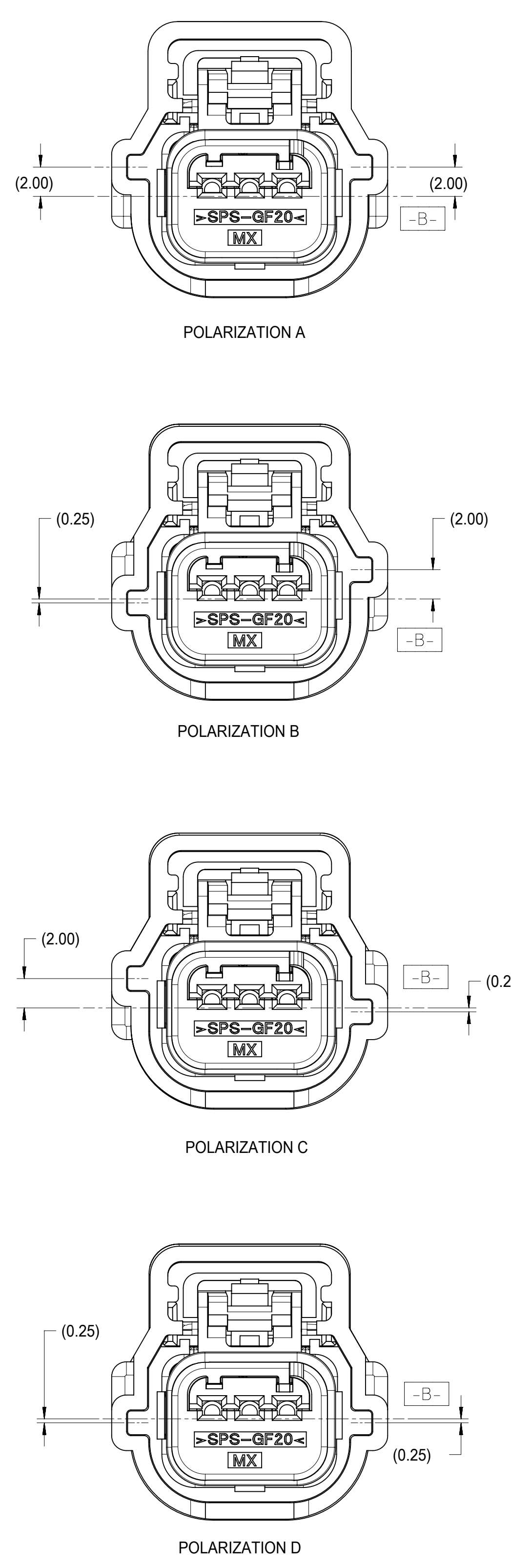
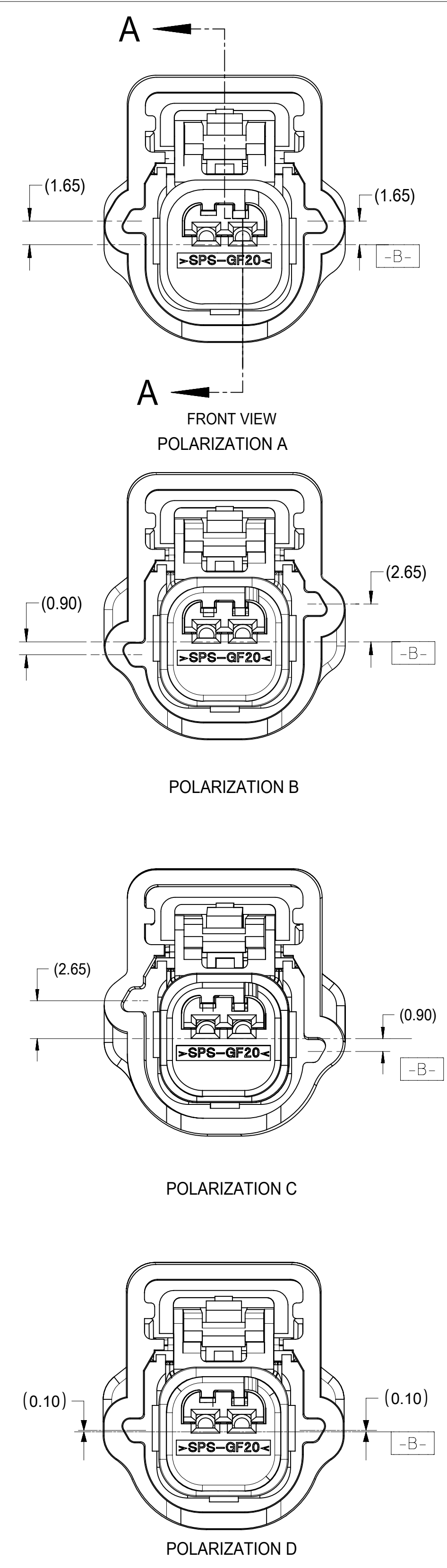
| ITEM | DESCRIPTION       | COLOR     | MATERIAL        |
|------|-------------------|-----------|-----------------|
| 1    | CONNECTOR HOUSING | SEE CHART | PBT GF15        |
| 2    | TERMINAL HOUSING  | BLACK     | SPS/PA66 GF30   |
| 3    | TPA               | NATURAL   | SPS/PA66 GF20   |
| 4    | MATTE SEAL        | SEE CHART | SILICONE RUBBER |
| 5    | PERIPHERAL SEAL   | SEE CHART | SILICONE RUBBER |
| 6    | CPA - OPTIONAL    | RED       | PBT GF30        |

|  |  |  |  |                                      |   |
|--|--|--|--|--------------------------------------|---|
| <b>FUNCTIONAL SYMBOLS</b><br>FA = 0<br>FE = 0<br>FP = 0<br><b>DIVISIONAL SYMBOLS</b> | THIS DRAWING CONTAINS INFORMATION THAT IS PROPRIETARY TO MOLEX ELECTRONIC TECHNOLOGIES, LLC AND SHOULD NOT BE USED WITHOUT WRITTEN PERMISSION<br>DIMENSION UNITS: <b>mm</b><br>SCALE: <b>1:1</b> | CURRENT REV DESC:<br>EC NO: 679773<br>DRWN: MCHEN37<br>CHK'D: LSONG05<br>APPR: CDZHANG |  |                                      |   |
|  | GENERAL TOLERANCES (UNLESS SPECIFIED)<br>ANGULAR TOL ± 3.0°<br>4 PLACES ±<br>3 PLACES ±<br>2 PLACES ± 0.13<br>1 PLACE ± 0.3<br>0 PLACES ±  | 2021/09/23<br>2021/10/08<br>2021/10/11   |  |                                      |   |
| DRAFT WHERE APPLICABLE<br>MUST REMAIN WITHIN DIMENSIONS                              | THIRD ANGLE PROJECTION   | DRAWING: <b>D-SIZE</b><br>SERIES: <b>31402</b>   | INITIAL REVISION:<br>DRWN: RCARLSON<br>APPR: PBERG<br>2004/03/01<br>2004/09/30 | DOCUMENT NUMBER: <b>SD-31402-211</b> | DOC TYPE: <b>PSD</b><br>DOC PART: <b>001</b><br>REVISION: <b>U7</b> |
| <b>DOCUMENT STATUS</b> P1<br><b>RELEASE DATE</b> 2021/10/11 02:34:41                 | MATERIAL NUMBER: <b>GENERAL MARKET</b><br>CUSTOMER:  |  | SHEET NUMBER: <b>3 OF 8</b>  |                                      |   |

1X2

1X3

1X4



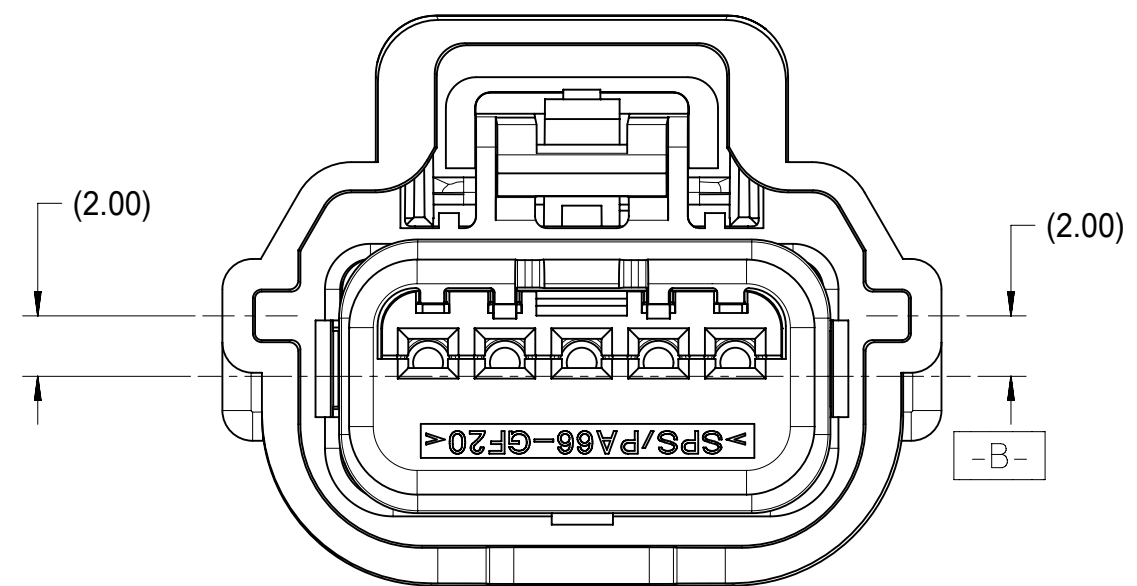
# KEY CONFIGURATIONS

|  |   |       |                   |            |  |
|--|---|-------|-------------------|------------|--|
| FUNCTIONAL SYMBOLS<br>FA = 0<br>FC = 0<br>FD = 0 | THIS DRAWING CONTAINS INFORMATION THAT IS PROPRIETARY TO MOLEX ELECTRONIC TECHNOLOGIES, LLC AND SHOULD NOT BE USED WITHOUT WRITTEN PERMISSION |       | CURRENT REV DESC: |            | <b>molex</b>                                       |
|  | DIMENSION UNITS   | SCALE |                   |            |  |
|  | mm  | 1:1   |                   |            | 0.64 USCAR CONNECTOR<br>SEALED SINGLE ROW ASSEMBLY |
|  | GENERAL TOLERANCES (UNLESS SPECIFIED)   |       |                   |            | PRODUCT CUSTOMER DRAWING                           |
|  | ANGULAR TOL ± 3.0°  |       |                   |            | DOCUMENT NUMBER                                    |
|  | 4 PLACES ±  |       | EC NO: 679773     |            | SD-31402-211                                       |
|  | 3 PLACES ±  |       | DRWN: MCHEN37     | 2021/09/23 | DOC TYPE   |
|  | 2 PLACES ± 0.13   |       | CHK'D: LSONG05    | 2021/10/08 | PSD  |
|  | 1 PLACE ± 0.3   |       | APPR: CDZHANG     | 2021/10/11 | DOC PART   |
|  | 0 PLACES ±  |       | INITIAL REVISION: |            | 001  |
|  | DRAFT WHERE APPLICABLE MUST REMAIN WITHIN DIMENSIONS  |       | DRWN: RCARLSON    | 2004/03/01 | REVISION   |
|  | THIRD ANGLE PROJECTION  |       | APPR: PBERG       | 2004/09/30 | U7   |
|  |   |       | DRAWING           | SERIES     | MATERIAL NUMBER                                    |
|  |   |       | D-SIZE            | 31402      | CUSTOMER   |
|  |   |       |                   |            | GENERAL MARKET                                     |
|  |   |       |                   |            | SHEET NUMBER                                       |
|  |   |       |                   |            | 4 OF 8   |

|                 |    |              |            |          |
|-----------------|----|--------------|------------|----------|
| DOCUMENT STATUS | P1 | RELEASE DATE | 2021/10/11 | 02:34:41 |
|-----------------|----|--------------|------------|----------|

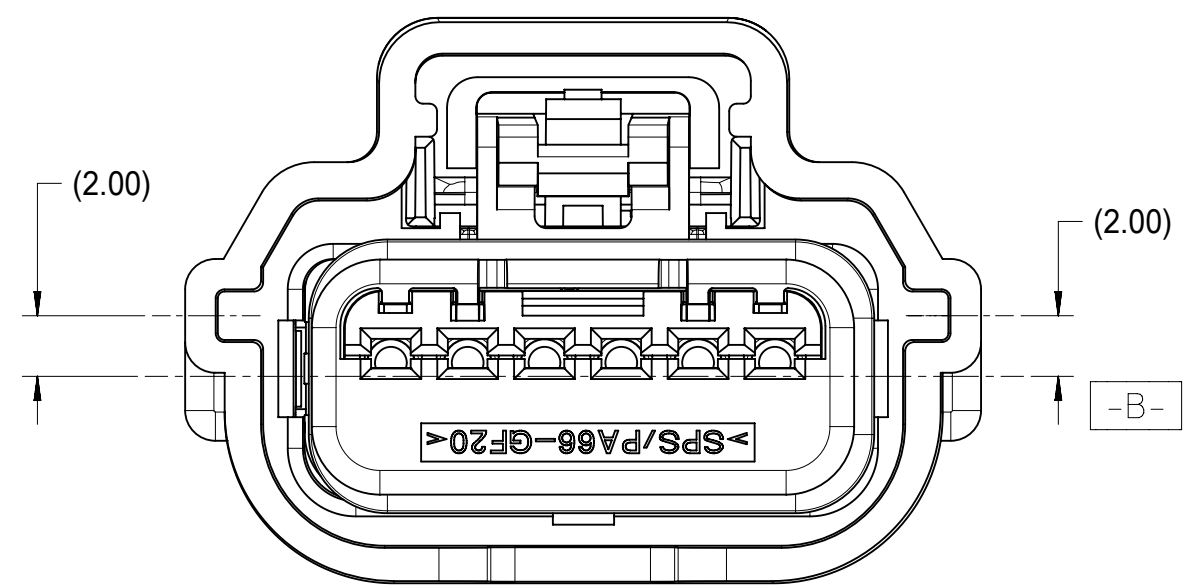


1X5

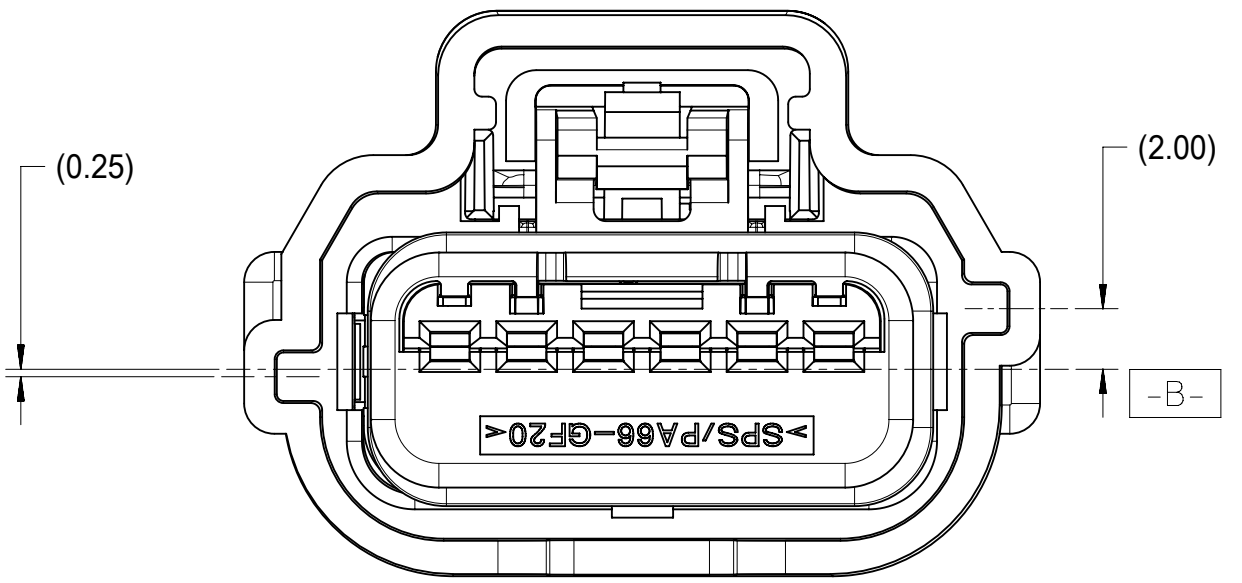


POLARIZATION A

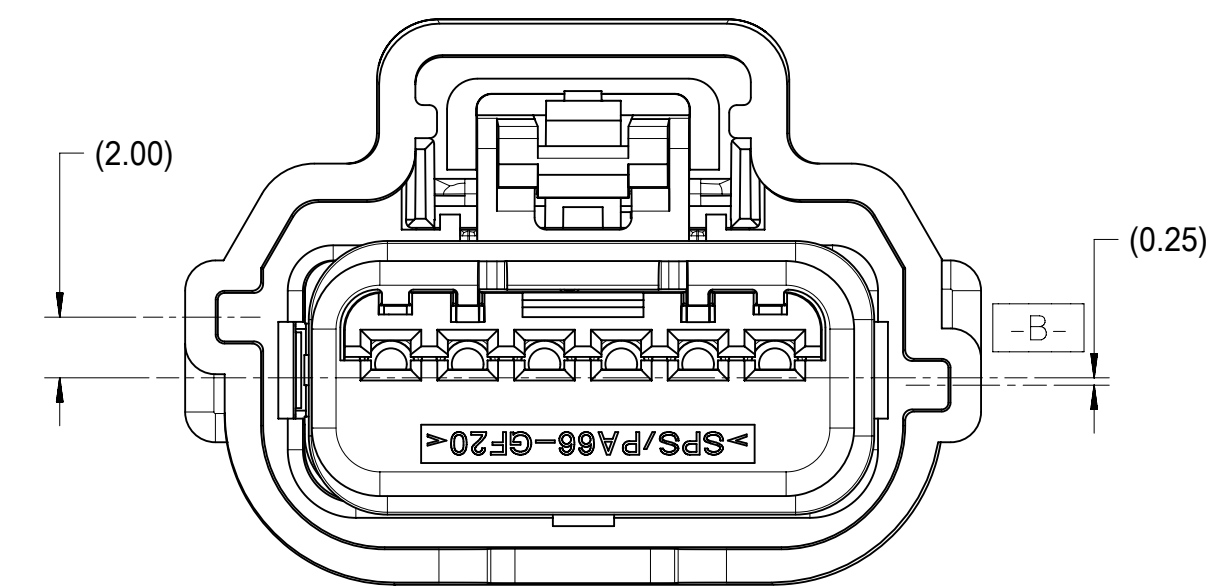
1X6



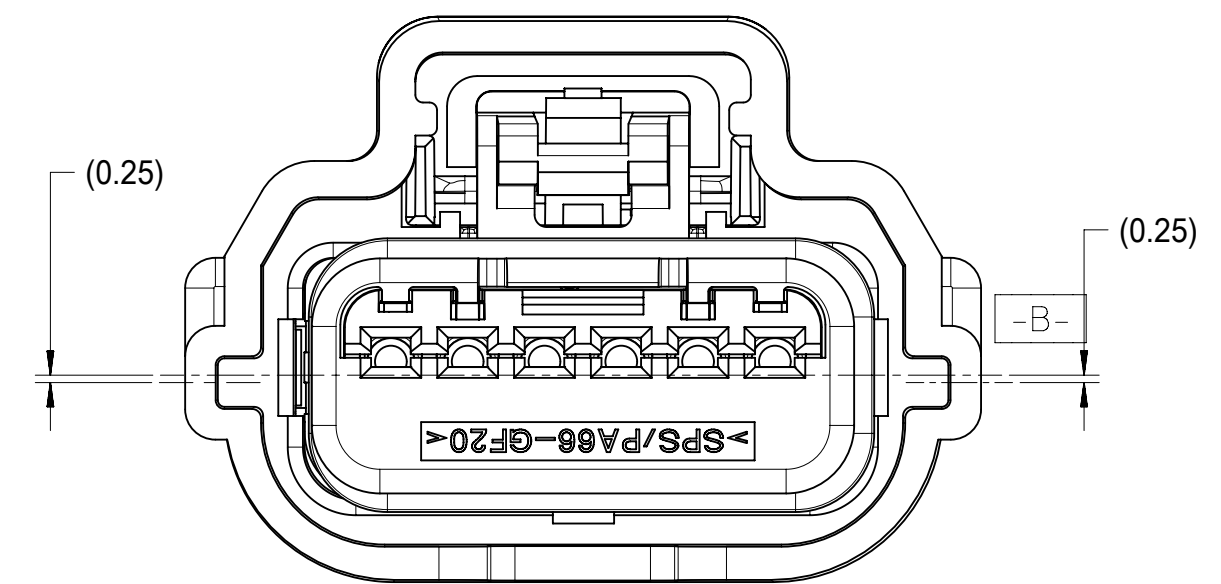
POLARIZATION A



POLARIZATION B

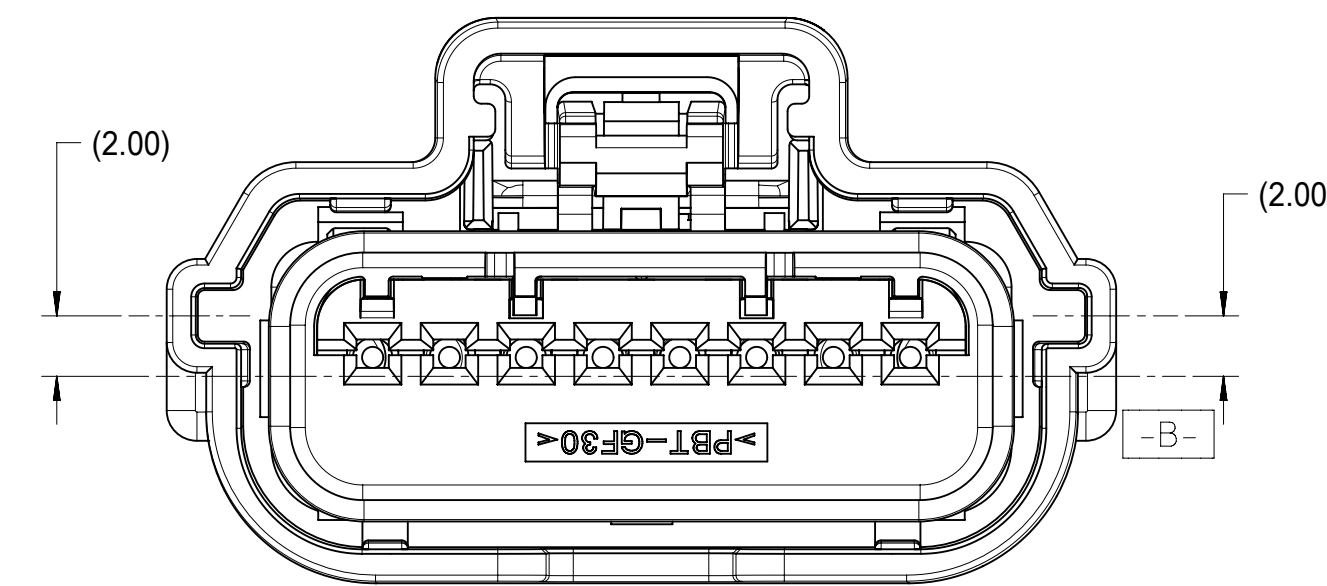


POLARIZATION C

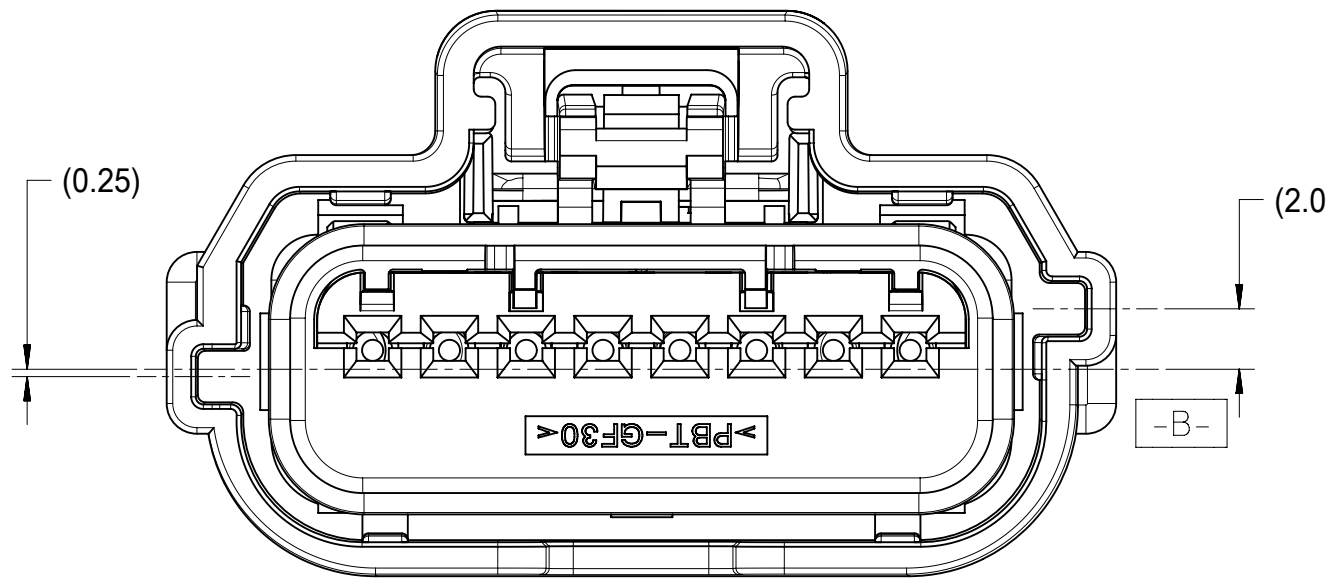


POLARIZATION D

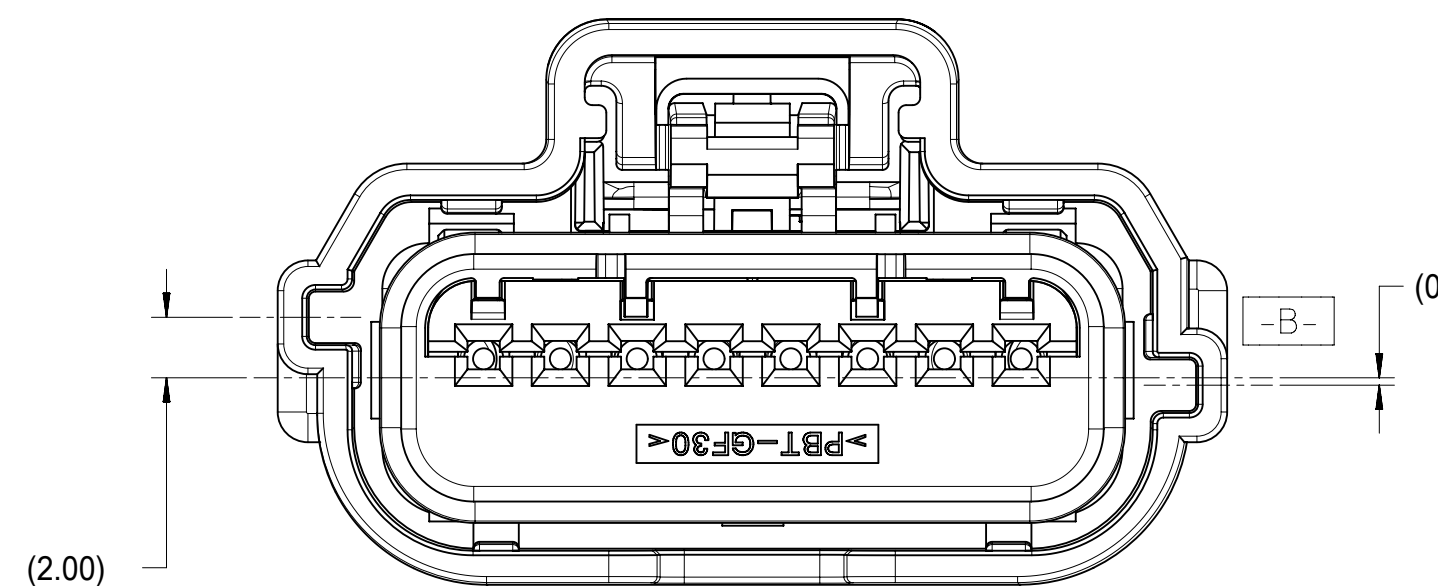
1X8



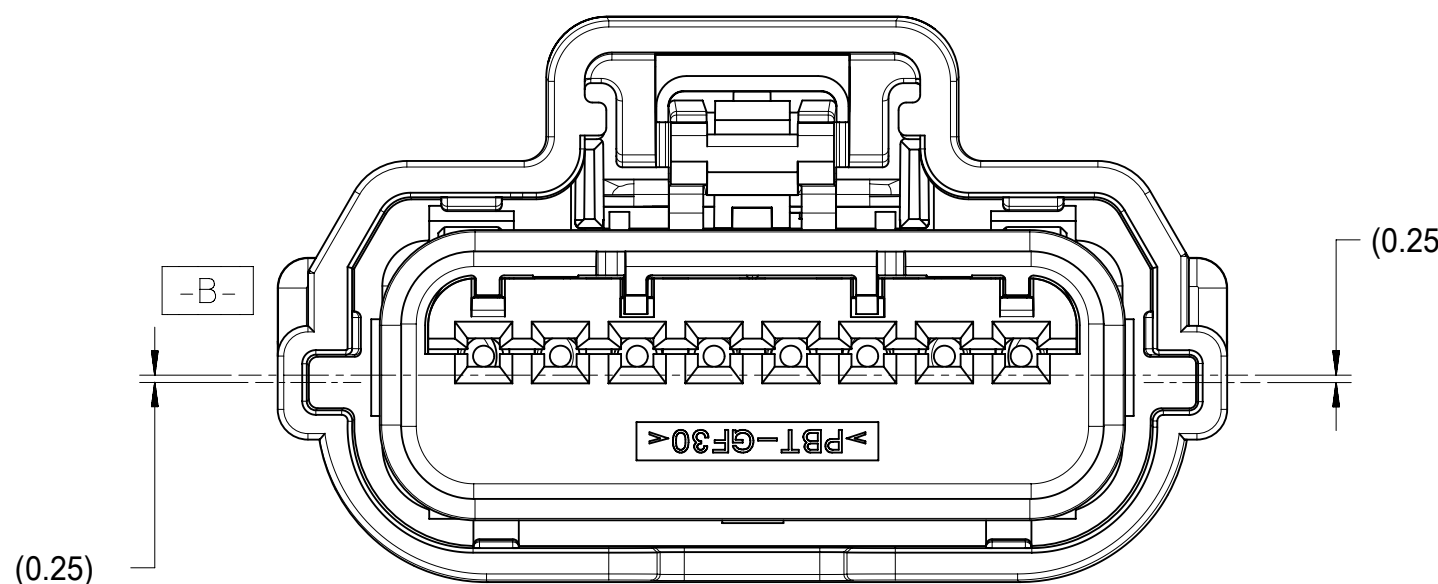
POLARIZATION A



POLARIZATION B



POLARIZATION C



POLARIZATION D

# KEY CONFIGURATIONS

THIS DRAWING CONTAINS INFORMATION THAT IS PROPRIETARY TO MOLEX ELECTRONIC TECHNOLOGIES, LLC AND SHOULD NOT BE USED WITHOUT WRITTEN PERMISSION

|                    |        |        |        |                    |                            |                            |                             |                          |               |                            |                              |                             |                                 |            |            |                   |                                       |                    |            |            |                 |               |            |  |                        |                |              |                 |                         |                     |
|--------------------|--------|--------|--------|--------------------|----------------------------|----------------------------|-----------------------------|--------------------------|---------------|----------------------------|------------------------------|-----------------------------|---------------------------------|------------|------------|-------------------|---------------------------------------|--------------------|------------|------------|-----------------|---------------|------------|--|------------------------|----------------|--------------|-----------------|-------------------------|---------------------|
| FUNCTIONAL SYMBOLS | FA = 0 | FC = 0 | FD = 0 | DIVISIONAL SYMBOLS | DRW: MCHEN37<br>2021/09/23 | DRW: LSONG05<br>2021/10/08 | DRW: RCARLSON<br>2004/03/01 | DRW: PBERG<br>2004/09/30 | EC NO: 679773 | DRW: MCHEN37<br>2021/09/23 | CHK'D: LSONG05<br>2021/10/08 | APPR: CDZHANG<br>2021/10/11 | INITIAL REVISION:<br>2004/03/01 | 2004/09/30 | SCALE: 1:1 | CURRENT REV DESC: | GENERAL TOLERANCES (UNLESS SPECIFIED) | ANGULAR TOL ± 3.0° | 4 PLACES ± | 3 PLACES ± | 2 PLACES ± 0.13 | 1 PLACE ± 0.3 | 0 PLACES ± | DRAFT WHERE APPLICABLE MUST REMAIN WITHIN DIMENSIONS | THIRD ANGLE PROJECTION | DRAWING D-SIZE | SERIES 31402 | MATERIAL NUMBER | CUSTOMER GENERAL MARKET | SHEET NUMBER 5 OF 8 |
|--------------------|--------|--------|--------|--------------------|----------------------------|----------------------------|-----------------------------|--------------------------|---------------|----------------------------|------------------------------|-----------------------------|---------------------------------|------------|------------|-------------------|---------------------------------------|--------------------|------------|------------|-----------------|---------------|------------|--|------------------------|----------------|--------------|-----------------|-------------------------|---------------------|

# molex

0.64 USCAR CONNECTOR  
SEALED SINGLE ROW ASSEMBLY

PRODUCT CUSTOMER DRAWING

|                 |          |          |          |
|-----------------|----------|----------|----------|
| DOCUMENT NUMBER | DOC TYPE | DOC PART | REVISION |
| SD-31402-211    | PSD      | 001      | U7       |



| PART NUMBER WITHOUT CPA | PART NUMBER WITH CPA | CLIPSLOT OPTION | ROW/ CIRCUITS | KEY*       | MATTE SEAL COLOR | PERIMETER SEAL COLOR | CONNECTOR COLOR | WIDTH DIM (A) | MIN. PASS THRU DIA.    | FEMALE TERMINAL SUPPLIER | USCAR FOOTPRINT DRAWING NO. | STATUS   |       |       |                        |                 |            |
|-------------------------|----------------------|-----------------|---------------|------------|------------------|----------------------|-----------------|---------------|------------------------|--------------------------|-----------------------------|----------|-------|-------|------------------------|-----------------|------------|
| 31402-2100              | 31402-2110           | NO              | 1 X 2         | A          | ROYAL BLUE       | BLUE                 | BLACK           | 16.88         | (20.80)                | TYCO OR MOLEX GET 0.64   | 064-S-002-1-Z02             | SALEABLE |       |       |                        |                 |            |
| 31402-2200              | 31402-2210           |                 |               | B          |                  |                      | GRAY            |               |                        |                          |                             | SALEABLE |       |       |                        |                 |            |
| 31402-2500              | 31402-2510           |                 |               | B          |                  |                      | BLACK           |               |                        |                          |                             | SALEABLE |       |       |                        |                 |            |
| 31402-2600              | 31402-2610           |                 |               | C          |                  |                      | BLACK           |               |                        |                          |                             | SALEABLE |       |       |                        |                 |            |
| 31402-2700              | 31402-2710           |                 |               | D          |                  |                      | BLACK           |               |                        |                          |                             | SALEABLE |       |       |                        |                 |            |
| 31403-2000              | 31403-2010           |                 |               | D          |                  |                      | DK. GRAY        |               |                        |                          |                             | SALEABLE |       |       |                        |                 |            |
| 31403-2100              | 31403-2110           |                 |               | A          |                  |                      | BLACK           |               |                        |                          |                             | SALEABLE |       |       |                        |                 |            |
| 31403-2200              | 31403-2210           |                 |               | B          |                  |                      | GRAY            |               |                        |                          |                             | SALEABLE |       |       |                        |                 |            |
| 31403-2500              | 31403-2510           |                 |               | B          |                  |                      | BLACK           |               |                        |                          |                             | SALEABLE |       |       |                        |                 |            |
| 31403-2600              | 31403-2610           |                 |               | C          |                  |                      | BLACK           |               |                        |                          |                             | SALEABLE |       |       |                        |                 |            |
| 31403-2700              | 31403-2710           |                 |               | D          |                  |                      | BLACK           |               |                        | SALEABLE                 |                             |          |       |       |                        |                 |            |
| 31403-2800              | 31403-2810           |                 |               | C          |                  |                      | NATURAL         |               |                        | SALEABLE                 |                             |          |       |       |                        |                 |            |
| 31403-2900              | 31403-2910           |                 |               | D          |                  |                      | GRAY            |               |                        | SALEABLE                 |                             |          |       |       |                        |                 |            |
| 31404-2100              | 31404-2110           |                 |               | A          |                  |                      | BLACK           |               |                        | NOT TOOLED               |                             |          |       |       |                        |                 |            |
| 31404-2200              | 31404-2210           |                 |               | B          |                  |                      | GRAY            |               |                        | NOT TOOLED               |                             |          |       |       |                        |                 |            |
| 31404-2300              | 31404-2310           |                 |               | C          |                  |                      | BROWN           |               |                        | NOT TOOLED               |                             |          |       |       |                        |                 |            |
| 31404-2400              | 31404-2410           |                 |               | D          |                  |                      | GREEN           |               |                        | NOT TOOLED               |                             |          |       |       |                        |                 |            |
| 31404-2500              | 31404-2510           |                 |               | B          |                  |                      | BLACK           |               |                        | NOT TOOLED               |                             |          |       |       |                        |                 |            |
| 31404-2600              | 31404-2610           |                 |               | C          |                  |                      | BLACK           |               |                        | NOT TOOLED               |                             |          |       |       |                        |                 |            |
| 31404-2700              | 31404-2710           |                 |               | D          |                  |                      | BLACK           |               |                        | NOT TOOLED               |                             |          |       |       |                        |                 |            |
| 31402-3100              | 31402-3110           | NO              | 1 X 3         | A          | LIGHT BLUE       | RUST RED             | BLACK           | 18.70         | TYCO OR MOLEX GET 0.64 | 064-S-003-1-Z01          | SALEABLE                    |          |       |       |                        |                 |            |
| 31402-3200              | 31402-3210           |                 |               | B          |                  |                      | GRAY            |               |                        |                          | SALEABLE                    |          |       |       |                        |                 |            |
| 31402-3500              | 31402-3510           |                 |               | B          |                  |                      | BLACK           |               |                        |                          | SALEABLE                    |          |       |       |                        |                 |            |
| 31402-3600              | 31402-3610           |                 |               | C          |                  |                      | BLACK           |               |                        |                          | SALEABLE                    |          |       |       |                        |                 |            |
| 31402-3700              | 31402-3710           |                 |               | D          |                  |                      | BLACK           |               |                        |                          | SALEABLE                    |          |       |       |                        |                 |            |
| 31403-3000              | 31403-3010           |                 |               | D          |                  |                      | DK. GRAY        |               |                        |                          | SALEABLE                    |          |       |       |                        |                 |            |
| 31403-3100              | 31403-3110           |                 |               | A          |                  |                      | BLACK           |               |                        |                          | SALEABLE                    |          |       |       |                        |                 |            |
| 31403-3200              | 31403-3210           |                 |               | B          |                  |                      | GRAY            |               |                        |                          | SALEABLE                    |          |       |       |                        |                 |            |
| 31403-3500              | 31403-3510           |                 |               | B          |                  |                      | BLACK           |               |                        |                          | SALEABLE                    |          |       |       |                        |                 |            |
| 31403-3600              | 31403-3610           |                 |               | C          |                  |                      | BLACK           |               |                        |                          | SALEABLE                    |          |       |       |                        |                 |            |
| 31403-3700              | 31403-3710           |                 |               | D          |                  |                      | BLACK           |               | SALEABLE               |                          |                             |          |       |       |                        |                 |            |
| 31403-3800              | 31403-3810           |                 |               | C          |                  |                      | NATURAL         |               | SALEABLE               |                          |                             |          |       |       |                        |                 |            |
| 31404-3100              | 31404-3110           |                 |               | A          |                  |                      | BLACK           |               | SALEABLE               |                          |                             |          |       |       |                        |                 |            |
| 31404-3200              | 31404-3210           |                 |               | B          |                  |                      | GRAY            |               | SALEABLE               |                          |                             |          |       |       |                        |                 |            |
| 31404-3500              | 31404-3510           |                 |               | B          |                  |                      | BLACK           |               | SALEABLE               |                          |                             |          |       |       |                        |                 |            |
| 31404-3600              | 31404-3610           |                 |               | C          |                  |                      | BLACK           |               | SALEABLE               |                          |                             |          |       |       |                        |                 |            |
| 31404-3700              | 31404-3710           |                 |               | D          |                  |                      | BLACK           |               | SALEABLE               |                          |                             |          |       |       |                        |                 |            |
| 31402-4100              | 31402-4110           |                 |               | NO         |                  |                      | 1 X 4           |               | A                      |                          | TBD                         | TBD      | BLACK | 21.25 | TYCO OR MOLEX GET 0.64 | 064-S-004-1-Z02 | NOT TOOLED |
| 31402-4200              | 31402-4210           |                 |               |            |                  |                      |                 |               | B                      |                          |                             |          | GRAY  |       |                        |                 | NOT TOOLED |
| 31402-4300              | 31402-4310           |                 |               |            |                  |                      |                 |               | C                      |                          |                             |          | BROWN |       |                        |                 | NOT TOOLED |
| 31402-4400              | 31402-4410           | D               | GREEN         |            | NOT TOOLED       |                      |                 |               |                        |                          |                             |          |       |       |                        |                 |            |
| 31402-4500              | 31402-4510           | B               | BLACK         |            | NOT TOOLED       |                      |                 |               |                        |                          |                             |          |       |       |                        |                 |            |
| 31402-4600              | 31402-4610           | C               | BLACK         |            | NOT TOOLED       |                      |                 |               |                        |                          |                             |          |       |       |                        |                 |            |
| 31402-4700              | 31402-4710           | D               | BLACK         |            | NOT TOOLED       |                      |                 |               |                        |                          |                             |          |       |       |                        |                 |            |
| 31403-4100              | 31403-4110           | A               | BLACK         |            | NOT TOOLED       |                      |                 |               |                        |                          |                             |          |       |       |                        |                 |            |
| 31403-4200              | 31403-4210           | B               | GRAY          |            | NOT TOOLED       |                      |                 |               |                        |                          |                             |          |       |       |                        |                 |            |
| 31403-4300              | 31403-4310           | C               | BROWN         |            | NOT TOOLED       |                      |                 |               |                        |                          |                             |          |       |       |                        |                 |            |
| 31403-4400              | 31403-4410           | D               | GREEN         |            | NOT TOOLED       |                      |                 |               |                        |                          |                             |          |       |       |                        |                 |            |
| 31403-4500              | 31403-4510           | B               | BLACK         |            | NOT TOOLED       |                      |                 |               |                        |                          |                             |          |       |       |                        |                 |            |
| 31403-4600              | 31403-4610           | C               | BLACK         |            | NOT TOOLED       |                      |                 |               |                        |                          |                             |          |       |       |                        |                 |            |
| 31403-4700              | 31403-4710           | D               | BLACK         |            | NOT TOOLED       |                      |                 |               |                        |                          |                             |          |       |       |                        |                 |            |
| 31404-4100              | 31404-4110           | A               | BLACK         |            | NOT TOOLED       |                      |                 |               |                        |                          |                             |          |       |       |                        |                 |            |
| 31404-4200              | 31404-4210           | B               | GRAY          |            | NOT TOOLED       |                      |                 |               |                        |                          |                             |          |       |       |                        |                 |            |
| 31404-4300              | 31404-4310           | C               | BROWN         |            | NOT TOOLED       |                      |                 |               |                        |                          |                             |          |       |       |                        |                 |            |
| 31404-4400              | 31404-4410           | D               | GREEN         |            | NOT TOOLED       |                      |                 |               |                        |                          |                             |          |       |       |                        |                 |            |
| 31404-4500              | 31404-4510           | B               | BLACK         |            | NOT TOOLED       |                      |                 |               |                        |                          |                             |          |       |       |                        |                 |            |
| 31404-4600              | 31404-4610           | C               | BLACK         |            | NOT TOOLED       |                      |                 |               |                        |                          |                             |          |       |       |                        |                 |            |
| 31404-4700              | 31404-4710           | D               | BLACK         | NOT TOOLED |                  |                      |                 |               |                        |                          |                             |          |       |       |                        |                 |            |


|  |   |                        |                   |                 |   |
|--|---|------------------------|-------------------|-----------------|---|
| FUNCTIONAL SYMBOLS                                   | THIS DRAWING CONTAINS INFORMATION THAT IS PROPRIETARY TO MOLEX ELECTRONIC TECHNOLOGIES, LLC AND SHOULD NOT BE USED WITHOUT WRITTEN PERMISSION |                        | CURRENT REV DESC: |                 | <b>molex</b>                                    |
|  | DIMENSION UNITS   | SCALE                  |                   |                 |   |
| $F_A = 0$  | mm  | 1:1                    |                   |                 | 0.64 USCAR CONNECTOR SEALED SINGLE ROW ASSEMBLY |
| $F_C = 0$  | GENERAL TOLERANCES (UNLESS SPECIFIED)   |                        |                   |                 |   |
| $F_P = 0$  | ANGULAR TOL $\pm 3.0^\circ$   |                        |                   |                 | PRODUCT CUSTOMER DRAWING                        |
| DIVISIONAL SYMBOLS                                   | 4 PLACES  | $\pm$                  | EC NO: 679773     | 2021/09/23      |   |
|  | 3 PLACES  | $\pm$                  | DRWN: MCHEN37     | 2021/10/08      |   |
|  | 2 PLACES  | $\pm 0.13$             | CHK'D: LSONG05    | 2021/10/11      |   |
|  | 1 PLACE   | $\pm 0.3$              | APPR: CDZHANG     |                 |   |
| 0 PLACES   | $\pm$   | INITIAL REVISION:      |                   |                 |   |
| DRAFT WHERE APPLICABLE MUST REMAIN WITHIN DIMENSIONS |   | THIRD ANGLE PROJECTION | DRAWING           | SERIES          | DOCUMENT NUMBER                                 |
|  |   |                        | D-SIZE            | 31402           | SD-31402-211                                    |
|  |   |                        |                   | MATERIAL NUMBER | DOC TYPE  |
|  |   |                        |                   | GENERAL MARKET  | DOC PART  |
|  |   |                        |                   | CUSTOMER        | REVISION  |
|  |   |                        |                   |                 | PSD 001 U7                                      |
|  |   |                        |                   | SHEET NUMBER    |   |
|  |   |                        |                   | 6 OF 8          |   |

| PART NUMBER WITHOUT CPA | PART NUMBER WITH CPA | CLIPSLLOT OPTION | ROW/ CIRCUITS | KEY* | MATTE SEAL COLOR | PERIMETER SEAL COLOR | CONNECTOR COLOR | WIDTH DIM (A) | MIN. PASS THRU DIA. | FEMALE TERMINAL SUPPLIER | USCAR FOOTPRINT DRAWING NO. | STATUS     |            |       |       |         |                        |                 |          |
|-------------------------|----------------------|------------------|---------------|------|------------------|----------------------|-----------------|---------------|---------------------|--------------------------|-----------------------------|------------|------------|-------|-------|---------|------------------------|-----------------|----------|
| 31402-5100              | 31402-5110           | NO               | 1 X 5         | A    | TBD              | TBD                  | BLACK           | 23.80         | (24.28)             | TYCO OR MOLEX GET 0.64   | 064-S-005-1-Z02             | NOT TOOLED |            |       |       |         |                        |                 |          |
| 31402-5200              | 31402-5210           |                  |               | B    |                  |                      | GRAY            |               |                     |                          |                             | NOT TOOLED |            |       |       |         |                        |                 |          |
| 31402-5300              | 31402-5310           |                  |               | C    |                  |                      | BROWN           |               |                     |                          |                             | NOT TOOLED |            |       |       |         |                        |                 |          |
| 31402-5400              | 31402-5410           |                  |               | D    |                  |                      | GREEN           |               |                     |                          |                             | NOT TOOLED |            |       |       |         |                        |                 |          |
| 31402-5500              | 31402-5510           |                  |               | B    |                  |                      | BLACK           |               |                     |                          |                             | NOT TOOLED |            |       |       |         |                        |                 |          |
| 31402-5600              | 31402-5610           |                  |               | C    |                  |                      | BLACK           |               |                     |                          |                             | NOT TOOLED |            |       |       |         |                        |                 |          |
| 31402-5700              | 31402-5710           |                  |               | D    |                  |                      | BLACK           |               |                     |                          |                             | NOT TOOLED |            |       |       |         |                        |                 |          |
| 31403-5100              | 31403-5110           |                  |               | A    |                  |                      | BLACK           |               |                     |                          |                             | NOT TOOLED |            |       |       |         |                        |                 |          |
| 31403-5200              | 31403-5210           |                  |               | B    |                  |                      | GRAY            |               |                     |                          |                             | NOT TOOLED |            |       |       |         |                        |                 |          |
| 31403-5300              | 31403-5310           |                  |               | C    |                  |                      | BROWN           |               |                     |                          |                             | NOT TOOLED |            |       |       |         |                        |                 |          |
| 31403-5400              | 31403-5410           |                  |               | D    |                  |                      | GREEN           |               |                     |                          |                             | NOT TOOLED |            |       |       |         |                        |                 |          |
| 31403-5500              | 31403-5510           |                  |               | B    |                  |                      | BLACK           |               |                     |                          |                             | NOT TOOLED |            |       |       |         |                        |                 |          |
| 31403-5600              | 31403-5610           |                  |               | C    |                  |                      | BLACK           |               |                     | NOT TOOLED               |                             |            |            |       |       |         |                        |                 |          |
| 31403-5700              | 31403-5710           |                  |               | D    |                  |                      | BLACK           |               |                     | NOT TOOLED               |                             |            |            |       |       |         |                        |                 |          |
| 31404-5100              | 31404-5110           |                  |               | A    |                  |                      | BLACK           |               |                     | NOT TOOLED               |                             |            |            |       |       |         |                        |                 |          |
| 31404-5200              | 31404-5210           |                  |               | B    |                  |                      | GRAY            |               |                     | NOT TOOLED               |                             |            |            |       |       |         |                        |                 |          |
| 31404-5300              | 31404-5310           |                  |               | C    |                  |                      | BROWN           |               |                     | NOT TOOLED               |                             |            |            |       |       |         |                        |                 |          |
| 31404-5400              | 31404-5410           |                  |               | D    |                  |                      | GREEN           |               |                     | NOT TOOLED               |                             |            |            |       |       |         |                        |                 |          |
| 31404-5500              | 31404-5510           |                  |               | B    |                  |                      | BLACK           |               |                     | NOT TOOLED               |                             |            |            |       |       |         |                        |                 |          |
| 31404-5600              | 31404-5610           |                  |               | C    |                  |                      | BLACK           |               |                     | NOT TOOLED               |                             |            |            |       |       |         |                        |                 |          |
| 31404-5700              | 31404-5710           |                  |               | D    |                  |                      | BLACK           |               |                     | NOT TOOLED               |                             |            |            |       |       |         |                        |                 |          |
| 31402-6100              | 31402-6110           |                  |               | NO   |                  |                      | 1 X 6           |               |                     | A                        |                             | ROYAL BLUE | LIGHT BLUE | BLACK | 26.33 | (26.82) | TYCO OR MOLEX GET 0.64 | 064-S-006-1-Z02 | SALEABLE |
| 31402-6200              | 31402-6210           |                  |               |      |                  |                      |                 |               |                     | B                        |                             |            |            | GRAY  |       |         |                        |                 | SALEABLE |
| 31402-6500              | 31402-6510           |                  |               |      |                  |                      |                 |               |                     | B                        |                             |            |            | BLACK |       |         |                        |                 | SALEABLE |
| 31402-6600              | 31402-6610           | C                | BLACK         |      | SALEABLE         |                      |                 |               |                     |                          |                             |            |            |       |       |         |                        |                 |          |
| 31402-6700              | 31402-6710           | D                | BLACK         |      | SALEABLE         |                      |                 |               |                     |                          |                             |            |            |       |       |         |                        |                 |          |
| U6 31402-6001           | 31402-6004           | A                | GRAY          |      | SALEABLE         |                      |                 |               |                     |                          |                             |            |            |       |       |         |                        |                 |          |
| U6 31402-6002           | 31402-6005           | C                | GRAY          |      | SALEABLE         |                      |                 |               |                     |                          |                             |            |            |       |       |         |                        |                 |          |
| U6 31402-6003           | 31402-6006           | D                | GRAY          |      | SALEABLE         |                      |                 |               |                     |                          |                             |            |            |       |       |         |                        |                 |          |
| 31403-6100              | 31403-6110           | A                | BLACK         |      | SALEABLE         |                      |                 |               |                     |                          |                             |            |            |       |       |         |                        |                 |          |
| 31403-6200              | 31403-6210           | B                | GRAY          |      | SALEABLE         |                      |                 |               |                     |                          |                             |            |            |       |       |         |                        |                 |          |
| 31403-6500              | 31403-6510           | B                | BLACK         |      | SALEABLE         |                      |                 |               |                     |                          |                             |            |            |       |       |         |                        |                 |          |
| 31403-6600              | 31403-6610           | C                | BLACK         |      | SALEABLE         |                      |                 |               |                     |                          |                             |            |            |       |       |         |                        |                 |          |
| 31403-6700              | 31403-6710           | D                | BLACK         |      | SALEABLE         |                      |                 |               |                     |                          |                             |            |            |       |       |         |                        |                 |          |
| U6 31403-6001           | 31403-6004           | A                | GRAY          |      | SALEABLE         |                      |                 |               |                     |                          |                             |            |            |       |       |         |                        |                 |          |
| U6 31403-6002           | 31403-6005           | C                | GRAY          |      | SALEABLE         |                      |                 |               |                     |                          |                             |            |            |       |       |         |                        |                 |          |
| U6 31403-6003           | 31403-6006           | D                | GRAY          |      | SALEABLE         |                      |                 |               |                     |                          |                             |            |            |       |       |         |                        |                 |          |
| 31404-7100              | 31404-7110           | A                | BLACK         |      | SALEABLE         |                      |                 |               |                     |                          |                             |            |            |       |       |         |                        |                 |          |
| 31404-7200              | 31404-7210           | B                | GRAY          |      | SALEABLE         |                      |                 |               |                     |                          |                             |            |            |       |       |         |                        |                 |          |
| 31404-7500              | 31404-7510           | B                | BLACK         |      | SALEABLE         |                      |                 |               |                     |                          |                             |            |            |       |       |         |                        |                 |          |
| 31404-7600              | 31404-7610           | C                | BLACK         |      | SALEABLE         |                      |                 |               |                     |                          |                             |            |            |       |       |         |                        |                 |          |
| 31404-7700              | 31404-7710           | D                | BLACK         |      | SALEABLE         |                      |                 |               |                     |                          |                             |            |            |       |       |         |                        |                 |          |
| 31404-7800              | 31404-7810           | C                | NATURAL       |      | SALEABLE         |                      |                 |               |                     |                          |                             |            |            |       |       |         |                        |                 |          |
| U6 31404-7001           | 31404-7007           | A                | GRAY          |      | SALEABLE         |                      |                 |               |                     |                          |                             |            |            |       |       |         |                        |                 |          |
| U6 31404-7002           | 31404-7008           | C                | GRAY          |      | SALEABLE         |                      |                 |               |                     |                          |                             |            |            |       |       |         |                        |                 |          |
| U6 31404-7003           | 31404-7009           | D                | GRAY          |      | SALEABLE         |                      |                 |               |                     |                          |                             |            |            |       |       |         |                        |                 |          |
| U6 31404-7004           | 31404-7010           | A                | NATURAL       |      | SALEABLE         |                      |                 |               |                     |                          |                             |            |            |       |       |         |                        |                 |          |
| U6 31404-7005           | 31404-7011           | B                | NATURAL       |      | SALEABLE         |                      |                 |               |                     |                          |                             |            |            |       |       |         |                        |                 |          |
| U6 31404-7006           | 31404-7012           | D                | NATURAL       |      | SALEABLE         |                      |                 |               |                     |                          |                             |            |            |       |       |         |                        |                 |          |

|                    |   |                     |  |                          |   |
|--------------------|---|---------------------|--|--------------------------|---|
| FUNCTIONAL SYMBOLS | THIS DRAWING CONTAINS INFORMATION THAT IS PROPRIETARY TO MOLEX ELECTRONIC TECHNOLOGIES, LLC AND SHOULD NOT BE USED WITHOUT WRITTEN PERMISSION |                     | CURRENT REV DESC:  | <h1>molex</h1>           |   |
|                    | DIMENSION UNITS   | SCALE               |  |                          | 0.64 USCAR CONNECTOR SEALED SINGLE ROW ASSEMBLY |
| $F_A = 0$          | mm  | 1:1                 | EC NO: 679773<br>DRWN: MCHEN37 2021/09/23<br>CHK'D: LSONG05 2021/10/08<br>APPR: CDZHANG 2021/10/11 | PRODUCT CUSTOMER DRAWING |   |
| $F_C = 0$          | GENERAL TOLERANCES (UNLESS SPECIFIED)   |                     |  |                          | DOCUMENT NUMBER                                 |
| $F_P = 0$          | ANGULAR TOL $\pm 3.0^\circ$   | 4 PLACES $\pm$      |  |                          |   |
| DIVISIONAL SYMBOLS | 3 PLACES $\pm$  | 2 PLACES $\pm 0.13$ | INITIAL REVISION:<br>DRWN: RCARLSON 2004/03/01<br>APPR: PBERG 2004/09/30                           | DOC TYPE                 |   |
|                    | 1 PLACE $\pm 0.3$   | 0 PLACES $\pm$      |  | DOC PART                 |   |
|                    | DRAFT WHERE APPLICABLE MUST REMAIN WITHIN DIMENSIONS  |                     | THIRD ANGLE PROJECTION   | REVISION                 |   |
|                    |   |                     | DRAWING  |                          |   |
|                    |   |                     | SERIES   |                          |   |
|                    |   |                     | MATERIAL NUMBER  |                          |   |
|                    |   |                     | CUSTOMER   |                          |   |
|                    |   |                     |  | SHEET NUMBER             |   |
|                    |   |                     | D-SIZE   |                          |   |
|                    |   |                     | 31402  |                          |   |
|                    |   |                     | GENERAL MARKET   |                          |   |
|                    |   |                     |  | 7 OF 8                   |   |

ADDITIONAL CAVITY PLUG CONFIGURATIONS:

| ROW/<br>CIRCUITS | FEMALE TERMINAL                                     | MOLEX P/N<br>WITH CPA | MOLEX P/N<br>WITHOUT CPA | KEY<br>OPTION | CLIPSLOT<br>OPTION | COLOR | CIRCUIT NUMBER:<br>"0" INDICATED PLUG LOCATION |   |   |   |   |          | TOTAL CIRCUITS<br>PLUGGED | STATUS        |
|------------------|---|-----------------------|--------------------------|---------------|--------------------|-------|--|---|---|---|---|----------|---------------------------|---------------|
|                  |   |                       |                          |               |                    |       | 1  | 2 | 3 | 4 | 5 | 6        |                           |               |
| 1X6              | TYCO/MOLEX GET                                      | 31402-6110            | 31402-6100               | A             | NO                 | BLACK |  |   |   |   |   |          | 0                         | SALEABLE      |
|                  |   | 31402-6111            | 31402-6101               | A             | NO                 | BLACK | 0  | 0 | 0 | 0 | 0 | 0        | 6                         | SALEABLE      |
|                  |   | 31402-6112            | 31402-6102               | A             | NO                 | BLACK | 0  | 0 |   |   |   |          | 2                         | SALEABLE      |
|                  |   | 31402-6113            | 31402-6103               | A             | NO                 | BLACK |  | 0 |   |   |   |          | 1                         | SALEABLE      |
|                  |   | 31402-6114            | 31402-6104               | A             | NO                 | BLACK | 0  | 0 | 0 | 0 |   |          | 4                         | SALEABLE      |
|                  |   | 31402-6115            | 31402-6105               | A             | NO                 | BLACK |  |   | 0 |   | 0 | 0        | 3                         | SALEABLE      |
|                  |   | 31402-6118            | 31402-6108               | A             | NO                 | BLACK |  |   |   |   | 0 |          | 1                         | SALEABLE      |
|                  |   | 31402-6119            | 31402-6109               | A             | NO                 | BLACK |  |   | 0 |   |   |          | 1                         | SALEABLE      |
|                  |   | 31402-6131            | 31402-6121               | A             | NO                 | BLACK |  |   |   | 0 |   |          | 1                         | SALEABLE (S)  |
|                  |   | 31402-6132            | 31402-6122               | A             | NO                 | BLACK | 0  | 0 | 0 |   |   |          | 3                         | SALEABLE (U5) |
|                  |   | 31402-6133            | 31402-6123               | A             | NO                 | BLACK |  |   |   | 0 | 0 | 0        | 3                         | SALEABLE (U5) |
|                  |   | 31402-6150            | 31402-6140               | A             | YES                | BLACK |  |   |   |   |   |          | 0                         | SALEABLE      |
|                  |   | 31402-6211            | 31402-6201               | B             | NO                 | GRAY  | 0  | 0 | 0 | 0 | 0 | 0        | 6                         | SALEABLE (T4) |
|                  |   | 31402-6511            | 31402-6501               | B             | NO                 | BLACK | 0  | 0 | 0 | 0 | 0 | 0        | 6                         | SALEABLE (T4) |
|                  |   | 31402-6611            | 31402-6601               | C             | NO                 | BLACK | 0  | 0 | 0 | 0 | 0 | 0        | 6                         | SALEABLE (T4) |
|                  | 31402-6711  | 31402-6701            | D                        | NO            | BLACK              | 0     | 0  | 0 | 0 | 0 | 0 | 6        | SALEABLE (T4)             |               |
|                  | 31402-6134  | 31402-6124            | A                        | NO            | BLACK              | 0     | 0  |   |   | 0 | 0 | 4        | SALEABLE (U7)             |               |
|                  | MOLEX 0.64  | 31403-6110            | 31403-6100               | A             | NO                 | BLACK |  |   |   |   |   |          | 0                         | SALEABLE      |
|                  |   | 31403-6111            | 31403-6101               | A             | NO                 | BLACK | 0  | 0 | 0 | 0 | 0 | 0        | 6                         | SALEABLE      |
|                  |   | 31403-6112            | 31403-6102               | A             | NO                 | BLACK |  |   | 0 |   |   |          | 1                         | SALEABLE      |
|                  |   | 31403-6113            | 31403-6103               | A             | NO                 | BLACK | 0  | 0 | 0 |   | 0 |          | 4                         | SALEABLE      |
|                  |   | 31403-6114            | 31403-6104               | A             | NO                 | BLACK |  |   |   |   | 0 | 0        | 2                         | SALEABLE      |
|                  |   | 31403-6115            | 31403-6105               | A             | NO                 | BLACK |  |   | 0 |   | 0 | 0        | 3                         | SALEABLE (U5) |
|                  |   | 31403-6211            | 31403-6201               | B             | NO                 | GRAY  | 0  | 0 | 0 | 0 | 0 | 0        | 6                         | SALEABLE (T4) |
|                  |   | 31403-6212            | 31403-6202               | B             | NO                 | GRAY  |  |   |   | 0 | 0 | 0        | 3                         | SALEABLE      |
|                  |   | 31403-6511            | 31403-6501               | B             | NO                 | BLACK | 0  | 0 | 0 | 0 | 0 | 0        | 6                         | SALEABLE (T4) |
|                  |   | 31403-6512            | 31403-6502               | B             | NO                 | BLACK |  |   |   | 0 |   |          | 1                         | SALEABLE (U5) |
|                  |   | 31403-6611            | 31403-6601               | C             | NO                 | BLACK | 0  | 0 | 0 | 0 | 0 | 0        | 6                         | SALEABLE (T4) |
|                  |   | 31403-6711            | 31403-6701               | D             | NO                 | BLACK | 0  | 0 | 0 | 0 | 0 | 0        | 6                         | SALEABLE (T4) |
|                  | YAZAKI KAIZEN 0.64<br>TE GEN Y 0.64<br>JST AIT 0.64 | 31404-7110            | 31404-7100               | A             | NO                 | BLACK |  |   |   |   |   |          | 0                         | SALEABLE      |
|                  |   | 31404-7111            | 31404-7101               | A             | NO                 | BLACK | 0  | 0 | 0 | 0 | 0 | 0        | 6                         | SALEABLE      |
|                  |   | 31404-7112            | 31404-7102               | A             | NO                 | BLACK | 0  |   | 0 |   |   |          | 2                         | SALEABLE      |
|                  |   | 31404-7113            | 31404-7103               | A             | NO                 | BLACK | 0  |   |   |   |   | 0        | 2                         | SALEABLE      |
|                  |   | 31404-7116            | 31404-7106               | A             | NO                 | BLACK |  |   |   |   |   | 0        | 1                         | SALEABLE      |
|                  |   | 31404-7117            | 31404-7107               | A             | NO                 | BLACK | 0  |   | 0 |   |   | 0        | 3                         | SALEABLE      |
|                  |   | 31404-7118            | 31404-7108               | A             | NO                 | BLACK | 0  |   |   |   |   |          | 1                         | SALEABLE      |
|                  |   | 31404-7119            | 31404-7109               | A             | NO                 | BLACK |  |   | 0 |   | 0 | 0        | 3                         | SALEABLE      |
|                  |   | 31404-7132            | 31404-7122               | A             | NO                 | BLACK |  |   | 0 |   |   |          | 1                         | SALEABLE      |
|                  |   | 31404-7133            | 31404-7123               | A             | NO                 | BLACK |  | 0 |   |   |   |          | 1                         | SALEABLE (T5) |
|                  |   | 31404-7134            | 31404-7124               | A             | NO                 | BLACK |  |   |   | 0 |   | 0        | 2                         | SALEABLE (T6) |
|                  |   | 31404-7135            | 31404-7125               | A             | NO                 | BLACK |  | 0 |   | 0 |   |          | 2                         | SALEABLE (T7) |
|                  |   | 31404-7136            | 31404-7126               | A             | NO                 | BLACK |  |   |   | 0 | 0 |          | 2                         | SALEABLE (U2) |
| 31404-7213       |   | 31404-7203            | B                        | NO            | GRAY               | 0     |  |   |   | 0 |   | 2        | SALEABLE                  |               |
| 31404-7214       |   | 31404-7204            | B                        | NO            | GRAY               |       |  |   |   |   | 0 | 1        | SALEABLE (T6)             |               |
| 31404-7215       |   | 31404-7205            | B                        | NO            | GRAY               |       | 0  |   |   |   |   | 1        | SALEABLE (T7)             |               |
| 31404-7216       |   | 31404-7206            | B                        | NO            | GRAY               |       | 0  |   |   | 0 | 0 | 3        | SALEABLE                  |               |
| 31404-7812       |   | 31404-7802            | C                        | NO            | NATURAL            |       |  |   | 0 | 0 | 0 | 3        | SALEABLE (T6)             |               |
| 31404-7813       |   | 31404-7803            | C                        | NO            | NATURAL            |       | 0  |   |   |   |   | 1        | SALEABLE (T8)             |               |
| 31404-7814       |   | 31404-7804            | C                        | NO            | NATURAL            |       | 0  |   |   | 0 | 0 | 3        | SALEABLE (T5)             |               |
| 31404-7912       |   | 31404-7902            | D                        | NO            | GRAY               |       | 0  |   |   |   |   | 1        | SALEABLE (T7)             |               |
| 31404-7913       | 31404-7903  | D                     | NO                       | GRAY          |                    | 0     |  | 0 |   |   | 2 | SALEABLE |                           |               |
| 1X2              | TYCO/MOLEX GET                                      | 31402-2111            | 31402-2101               | A             | NO                 | BLACK | 0  | 0 |   |   |   | 2        | SALEABLE (U7)             |               |
| 1X3              | TYCO/MOLEX GET                                      | 31402-3113            | 31402-3103               | A             | NO                 | BLACK |  |   | 0 |   |   | 1        | SALEABLE                  |               |
|                  |   | 31402-3114            | 31402-3104               | A             | NO                 | BLACK | 0  |   |   |   |   | 1        | SALEABLE (T4)             |               |
|                  |   | 31402-3115            | 31402-3105               | A             | NO                 | BLACK |  | 0 |   |   |   | 1        | SALEABLE (U1)             |               |
|                  | MOLEX 0.64  | 31403-3132            | 31403-3122               | A             | NO                 | GRAY  |  | 0 |   |   |   | 1        | SALEABLE (P)              |               |
|                  | YAZAKI KAIZEN 0.64, TE GEN Y 0.64, JST AIT 0.64     | 31404-3112            | 31404-3102               | A             | NO                 | BLACK |  | 0 |   |   |   | 1        | SALEABLE (R)              |               |

|  |   |  |  |                                   |   |
|--|---|--|--|-----------------------------------|---|
| FUNCTIONAL SYMBOLS<br>FA = 0<br>FC = 0<br>FP = 0 | THIS DRAWING CONTAINS INFORMATION THAT IS PROPRIETARY TO MOLEX ELECTRONIC TECHNOLOGIES, LLC AND SHOULD NOT BE USED WITHOUT WRITTEN PERMISSION |  | CURRENT REV DESC:  |                                   |  |
|  | DIMENSION UNITS<br>mm   | SCALE<br>1:1   | EC NO: 679773<br>DRWN: MCHEN37 2021/09/23<br>CHK'D: LSONG05 2021/10/08<br>APPR: CDZHANG 2021/10/11 |                                   |   |
| DIVISIONAL SYMBOLS                               | GENERAL TOLERANCES (UNLESS SPECIFIED)   |  | INITIAL REVISION:  |                                   | PRODUCT CUSTOMER DRAWING  |
|  | ANGULAR TOL ± 3.0°  |  | DRWN: RCARLSON 2004/03/01<br>APPR: PBERG 2004/09/30  |                                   | DOCUMENT NUMBER<br><b>SD-31402-211</b>  |
| 4 PLACES ±                                       |   | 3 PLACES ±   |  | DOC TYPE<br>PSD                   |   |
| 2 PLACES ± 0.13                                  |   | 1 PLACE ± 0.3  |  | DOC PART<br>001                   |   |
| 0 PLACES ±                                       |   | DRAFT WHERE APPLICABLE MUST REMAIN WITHIN DIMENSIONS |  | REVISION<br>U7                    |   |
| THIRD ANGLE PROJECTION                           |   | DRAWING<br>D-SIZE                                    |  | SERIES<br>31402                   |   |
|  |   |  |  | MATERIAL NUMBER<br>GENERAL MARKET |   |
|  |   |  |  | SHEET NUMBER<br>8 OF 8            |   |