



产品编号 : 330015002

系列号 : 33001

Product Category : Crimp Terminals

Product Description : MX150 Female Terminal for Mat-Sealed Connectors, Silver Plating, 18 and 20 AWG, Left Reel Payoff

状态 : Active

文件和资源

图纸

图纸 330015002_sd.pdf


规格

测试摘要 TS-33001-003-001.pdf

测试摘要 TS-33001-004-001.pdf

产物环境合规

合规

GADSL/IMDS	Duty-To-Declare
China RoHS	
EU ELV	Compliant per 2000/53/EC
Low-Halogen Status	Low-Halogen per IEC 61249-2-21
REACH SVHC	Not Contained per D(2023)8585-DC (23 Jan 2024)
EU RoHS	Compliant per EU 2015/863

多部分产品合规性声明

- Eu RoHS
- REACH SVHC
- Low-Halogen

- IPC 1752A Class C
- IPC 1752A Class D
- Molex Product Compliance Declaration
- IEC-62474
- chemSHERPA (xml)

欧盟 RoHS 合格证书

产品详情

常规

状态	活动
类别	Crimp Terminals
系列	33001
说明	MX150 Female Terminal for Mat-Sealed Connectors, Silver Plating, 18 and 20 AWG, Left Reel Payoff
应用	Power, Wire-to-Board, Wire-to-Wire
个评论	Left Reel Payoff, Small Polarization Rib
产品系列	MX150 Sealed and Unsealed Connector System
产品名称	MX150
UPC	822350754415

电气

每触点最大电流	Contact Molex
电压 - 最大	14V DC

物理

性别	女
夹具代码	18
材料 - 金属	High Performance Alloy (HPA)
材料 - 接合部位电镀	银牌
材料 - 终端电镀	Tin
净重	0.443/g
包装形式	Reel
最薄镀层 - 接合部位	0.762µm
最薄镀层 - 端接	2.540µm
终端界面类型	Crimp or Compression
导线绝缘直径	2.54mm max.
线径规格 (AWG)	18, 20
线缆尺寸mm ²	0.75-1.00

进程

无铅	不适用
----	-----

可连接使用部件

描述	产品编号
MX150 Mat-Sealed Dual Row Female Connector Assemblies	<u>33472</u>
MX150 Mat-Sealed Single Row Female Connector Assemblies	<u>33471</u>

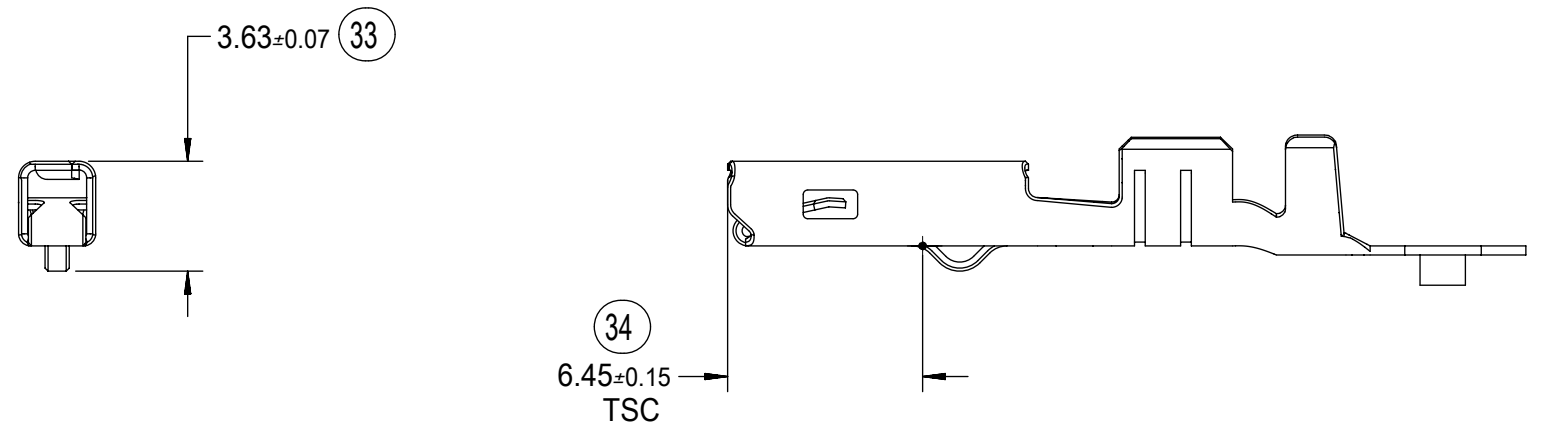
施工工具

全局

描述	产品编号
Extraction Toolkit for MX150 Connectors	<u>2002220700</u>
FA2 Mechanical Feed Applicator for MX150 18 Grip Receptacle Terminals, 20 AWG and 0.75mm ² Wire	<u>638082600</u>
FA2 Pneumatic Feed Crimp Applicator for MX150 18 Grip Receptacle, 20 AWG and 0.75mm ² Wire	<u>638082610</u>
FA2 Mechanical Feed Applicator for MX150 18 Grip Female Terminals, 18 AWG and 1.00mm ² Wire	<u>638082800</u>
FA2 Pneumatic Feed Crimp Applicator for MX150 Crimp Terminals, 18 AWG	<u>638082810</u>
PremiumGrade Hand Crimp Tool for MX150 Female Terminals, 18-22 AWG	<u>638116000</u>
PremiumGrade Hand Crimp Tool for MX150 Female Terminals for 1.00mm ² and 1.50mm ² Metric Wires	<u>638116100</u>
Hand Crimp Tool Metric 0.5 and 0.75	<u>638116200</u>
Extraction Tool for MX150L, MX150, PT Bulb Socket, iGrid, SPOX, and Wire-to-Motor Terminals	<u>638131500</u>
FineAdjust Applicator for SRC Connector using MX150 Receptacle Terminals, 0.75mm ² wires	<u>639040400</u>

FineAdjust Applicator for SRC Connector using MX150 Receptacle Terminals, 1.00mm ² wires	<u>639040500</u>
ServiceGrade Hand Crimp Tool for MX150 Crimp Terminals, 14-22 AWG	<u>640160133</u>

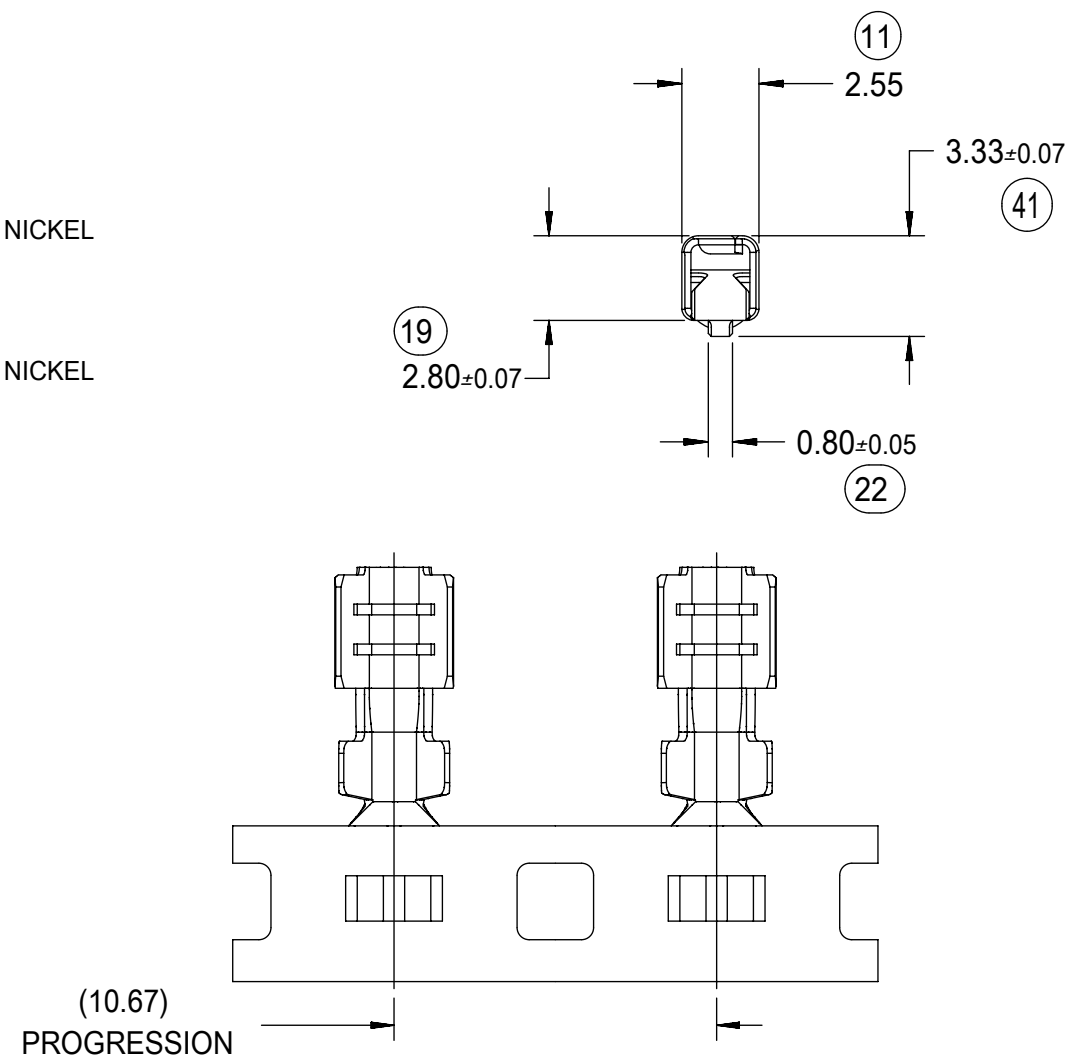
This document was generated on Jun 30, 2024



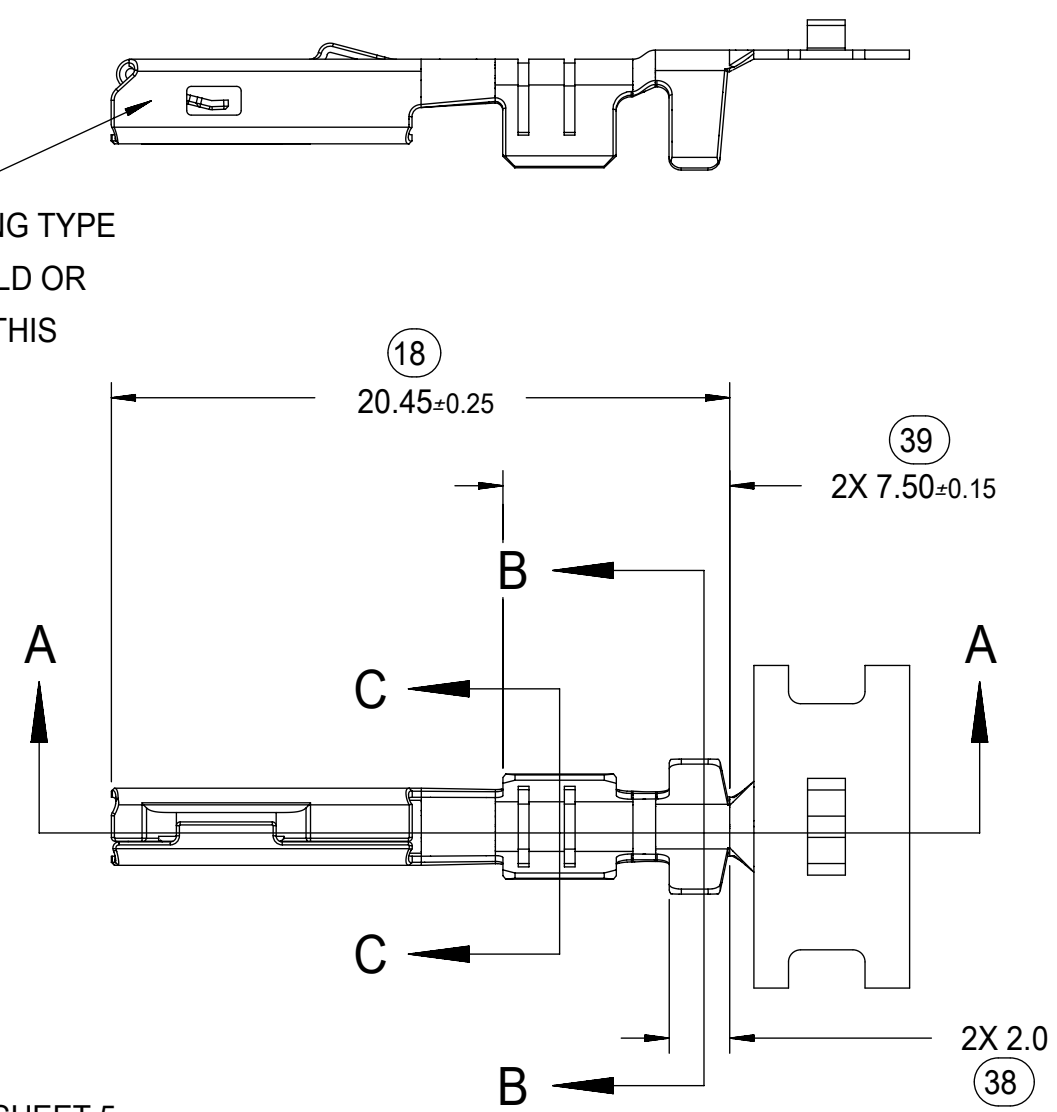
DIMENSIONS FOR LARGE POLARIZATION RIB TERMINAL ONLY

NOTES: (UNLESS OTHERWISE SPECIFIED)

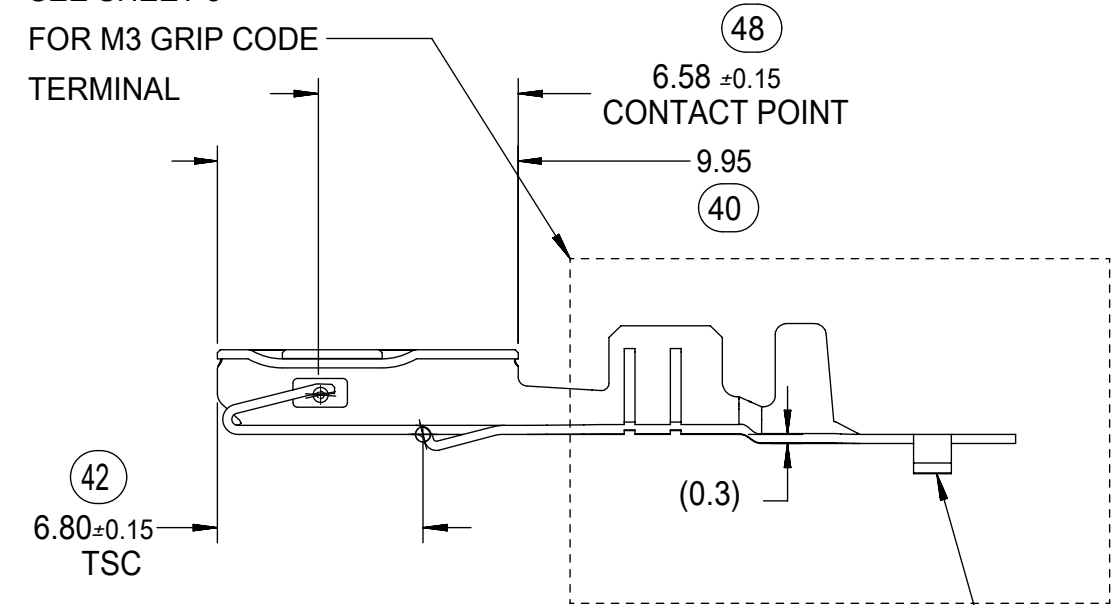
1. MATING TERMINAL SHOWN ON SD-33000-001
2. MATERIAL: ASTM B422, UNS C19025, HR04
THICKNESS: 0.30 mm ±0.01
TEMPER: FULL HARD (REF)
TENSILE: 496 MIN MPA
3. TIN PLATED TERMINAL FINISH:
OVERALL UNDERPLATE ELECTRODEPOSITED NICKEL
OVERALL ELECTRODEPOSITED REFLOW TIN
4. GOLD PLATED TERMINAL FINISH
OVERALL UNDERPLATE ELECTRODEPOSITED DUCTILE SULFAMATE NICKEL
CONTACT AREA - ELECTRODEPOSITED GOLD
GRIP AREA - ELECTRODEPOSITED 100% TIN MATTE FINISH
5. SILVER PLATED TERMINAL FINISH
OVERALL UNDERPLATE ELECTRODEPOSITED DUCTILE SULFAMATE NICKEL
CONTACT AREA - ELECTRODEPOSITED PURE SILVER (0.5% MAX
IMPURITIES) SEMI-BRIGHT FINISH
- SILVER ANTI-TARNISH : EVABRITE
GRIP AREA - ELECTRODEPOSITED 100% TIN MATTE FINISH
6. MEETS PERFORMANCE SPECIFICATION FOR CABLE TO TERMINAL
ELECTRICAL CRIMPS PER SAE/USCAR-21 (8/2001)
7. MEETS PERFORMANCE STANDARD FOR AUTOMOTIVE ELECTRICAL
CONNECTOR SYSTEMS FOR SAE/USCAR-2, REV. 4 (TEMP CLASS 3)
(5/2004)
8. MEETS ELECTRICAL CONNECTION SYSTEM DESIGN SPECIFICATION
(SDS) REV.11 (5/2002)
9. MEETS FIELD CORRELATED LIFE TEST (FCLT) PER
SAE/USCAR-20 (6/2004)
10. MEETS WIRING COMPONENT DESIGN GUIDELINES SAE/USCAR-12
REV 2 (12/2001)
11. TSC ON A DIMENSION TO BE INTERPRETED AS DISTANCE TO
A THEORETICAL SHARP CORNER AS IF THE RADIUS WERE NOT
PRESENT
12. REFERENCE 97BG-14474-AAB FOR LARGE POLARIZATION RIB
CAVITY SPECIFICATION
13. INSERTION FORCE (TIN) AVG. FROM PV TESTING =
3.8N LARGE POLARIZATION RIB
3.5N SMALL POLARIZATION RIB
(REFERENCE)
14. ALL DIMENSIONS EXCEPT (33), (34), (41) & (42) ARE COMMON TO
BOTH SMALL AND LARGE POLARIZATION RIB TERMINALS
15. REFERENCE PK-31300-516 FOR REEL DIRECTION
16. REFERENCE AS-33012-002 FOR CRIMP INFORMATION



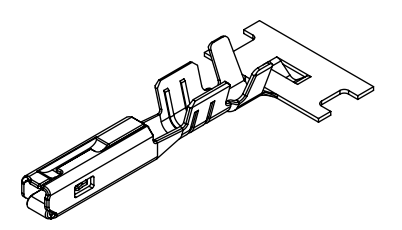
STAMP PLATING TYPE
Sn-TIN, Au-GOLD OR
Ag-SILVER IN THIS
AREA



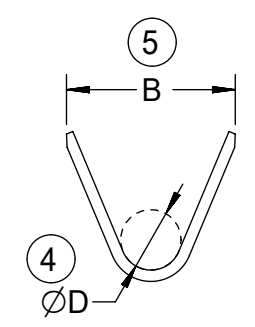
SEE SHEET 5
FOR M3 GRIP CODE
TERMINAL



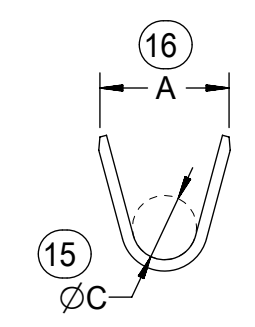
SECTION A-A



SCALE 2:1



SECTION B-B
SCALE 5:1

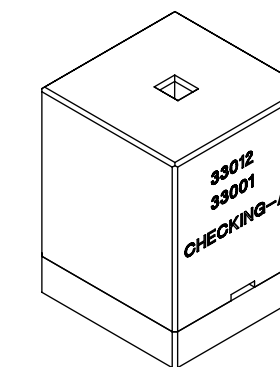


SECTION C-C
SCALE 5:1

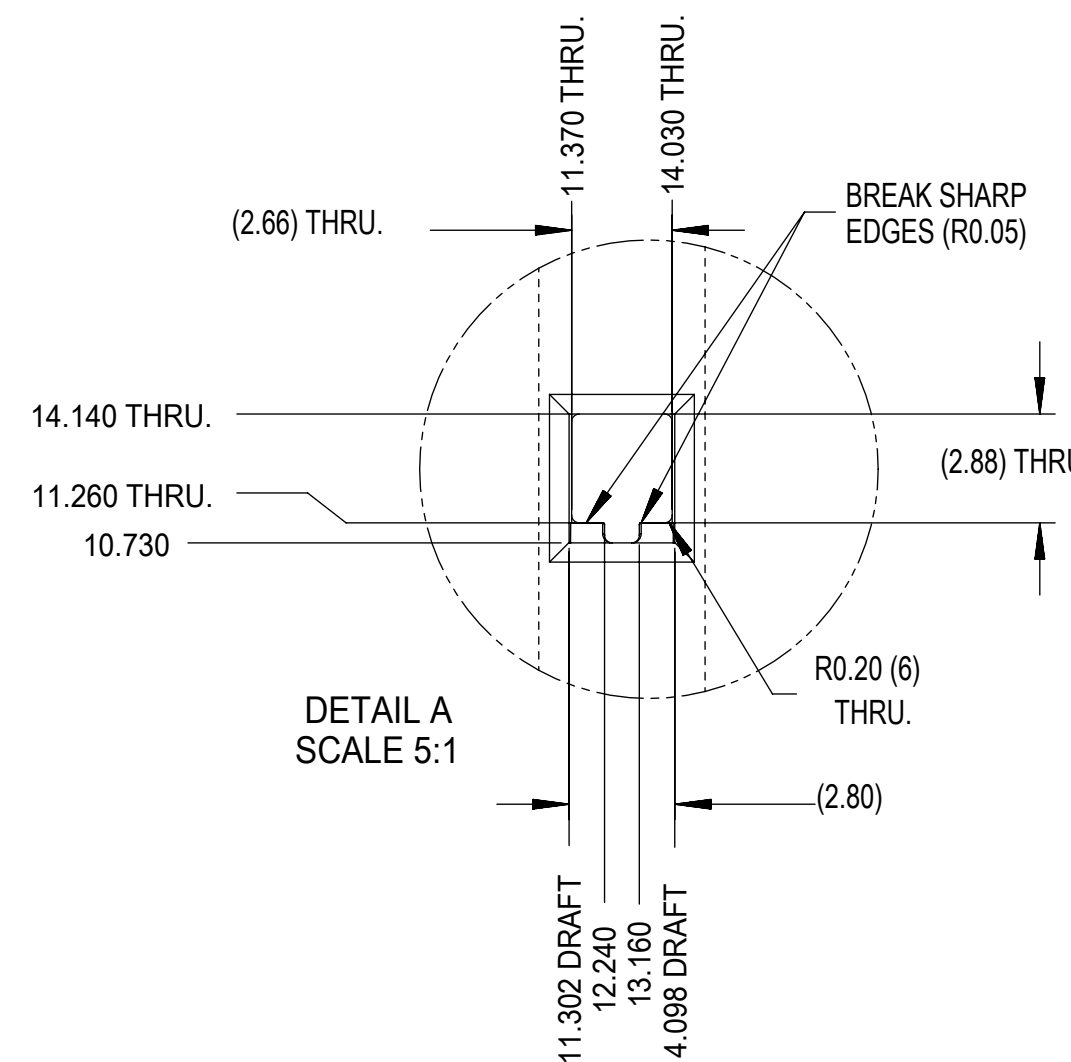
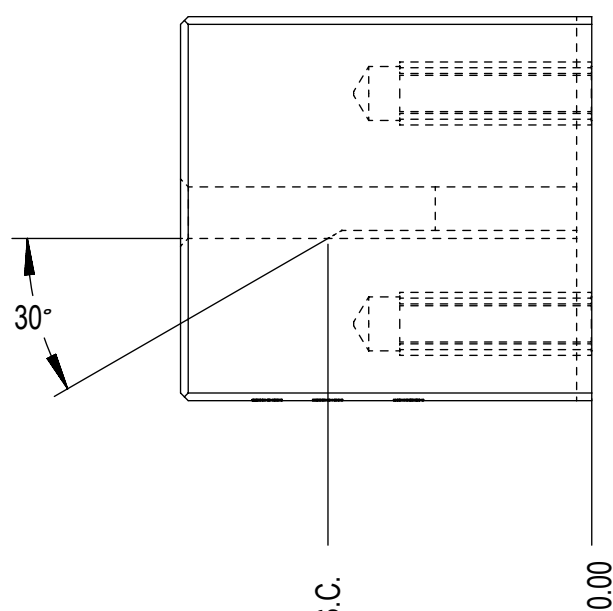
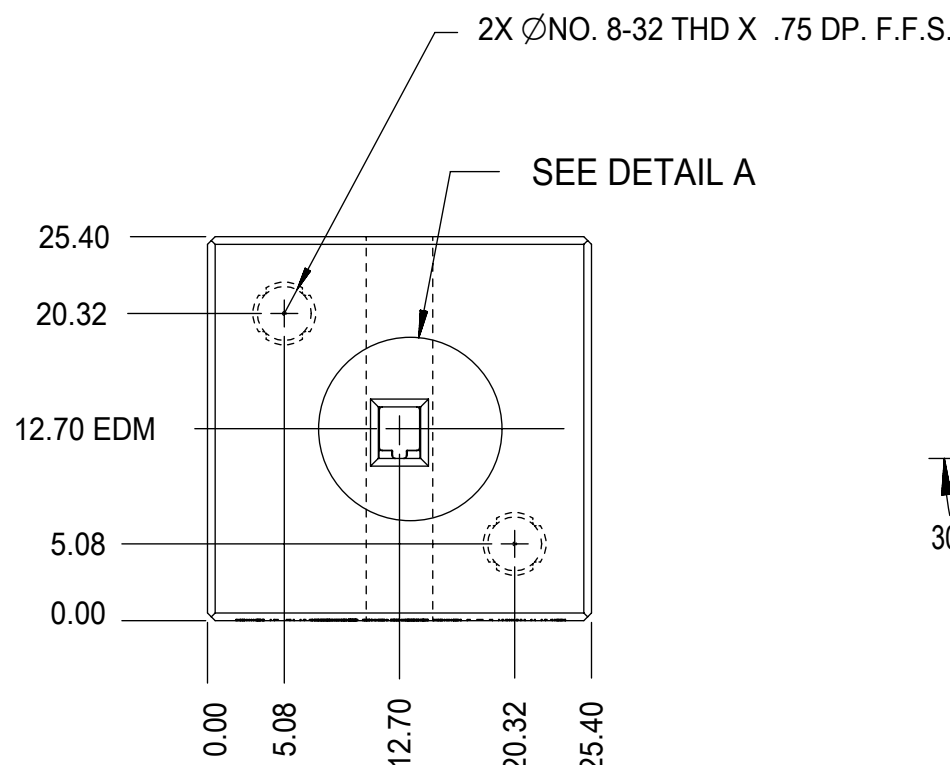
CARRIER BUMP DIRECTION
POINTS DOWN FOR TIN PLATED TERMINALS
POINTS UP FOR PRECIOUS PLATED TERMINALS

SYMBOLS										THIS DRAWING CONTAINS INFORMATION THAT IS PROPRIETARY TO MOLEX ELECTRONIC TECHNOLOGIES, LLC AND SHOULD NOT BE USED WITHOUT WRITTEN PERMISSION									
DIMENSION UNITS		SCALE		CURRENT REV DESC:															
mm		4:1		EC NO: 645050															
GENERAL TOLERANCES (UNLESS SPECIFIED)				DRWN: BSKANTHARAJU 2020/09/03															
ANGULAR TOL ± 3.0°				CHK'D: JCUATACERVAN 2020/09/18															
4 PLACES ±				APPR: JCUATACERVAN 2020/09/18															
3 PLACES ±				INITIAL REVISION:															
2 PLACES ± 0.10				DRWN: LPULLIAM 2005/06/21															
1 PLACE ± 0.3				APPR: BMOSEY 2005/06/22															
0 PLACES ±				DRAFT WHERE APPLICABLE MUST REMAIN WITHIN DIMENSIONS		THIRD ANGLE PROJECTION		DRAWING		SERIES		DOCUMENT NUMBER		DOC TYPE		DOC PART		REVISION	
C-SIZE		33012		SEE TABLE		GENERAL MARKET		SD-33012-002		PSD		001		D					
MATERIAL NUMBER		CUSTOMER		SHEET NUMBER		1 OF 5													

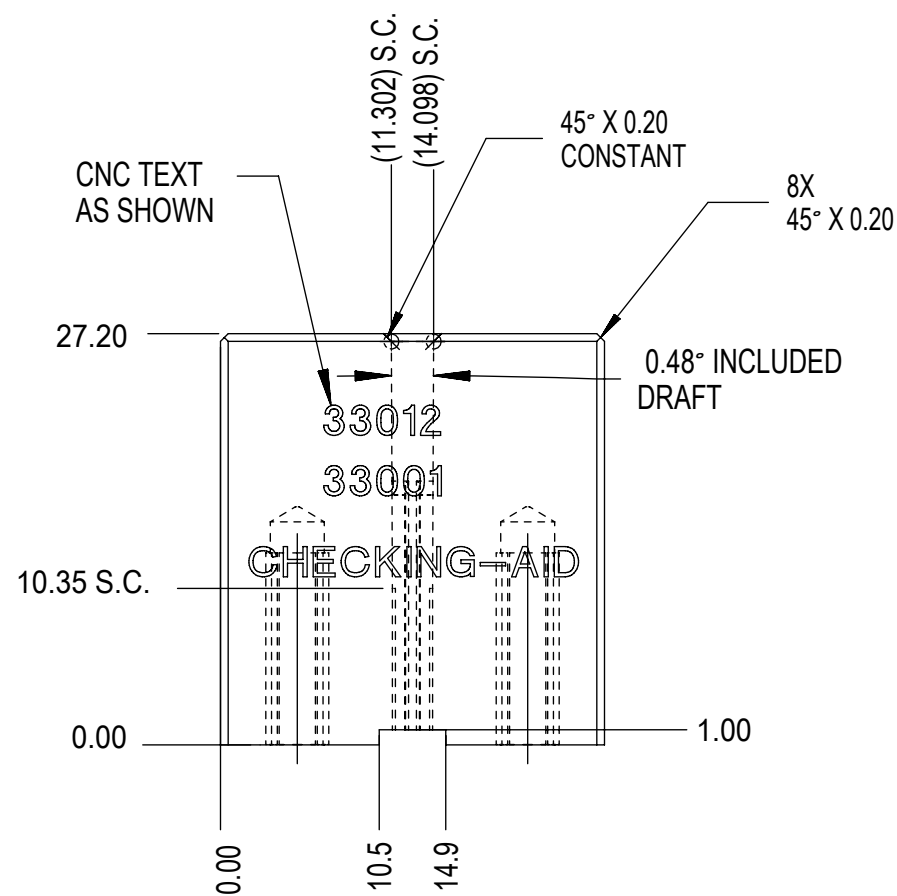
THIS CHECKING - AID IS FOR SMALL POLARIZATION RIB TERMINALS ONLY



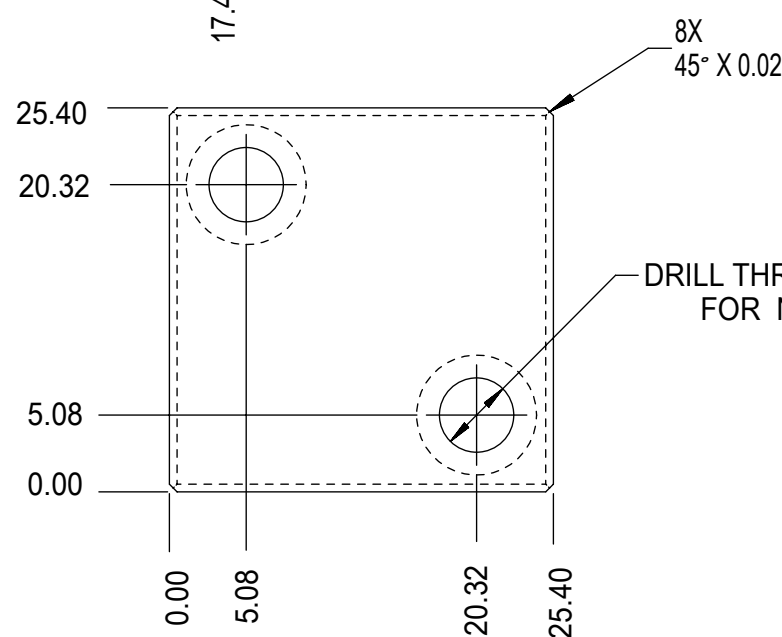
CHECKING - AID ASSEMBLY
SCALE 1:1



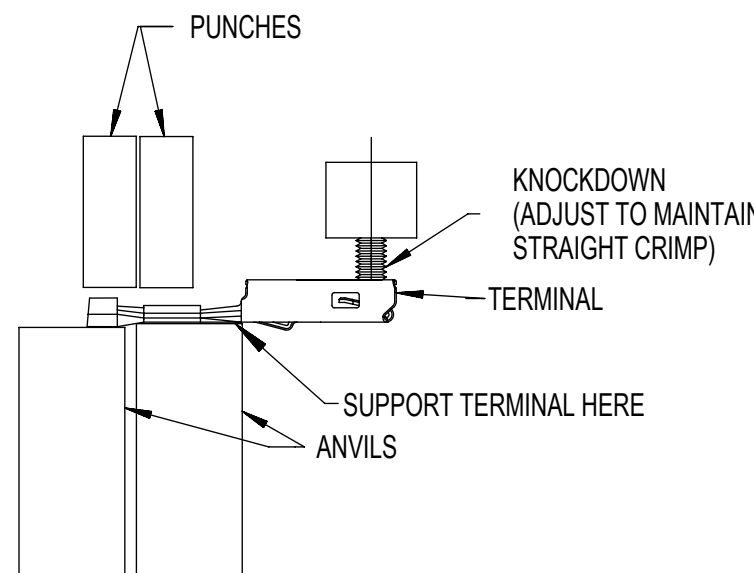
DETAIL A
SCALE 5:1



CHECKING - AID
UPPER



CHECKING - AID
LOWER

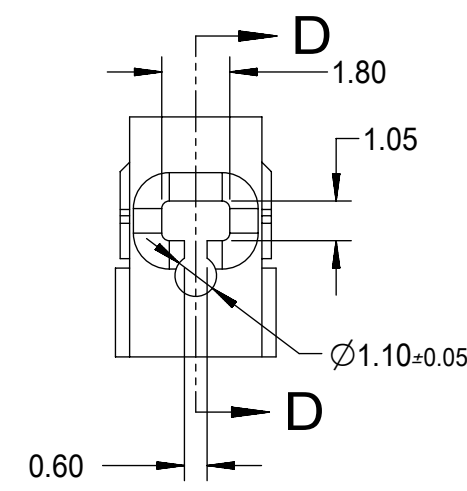
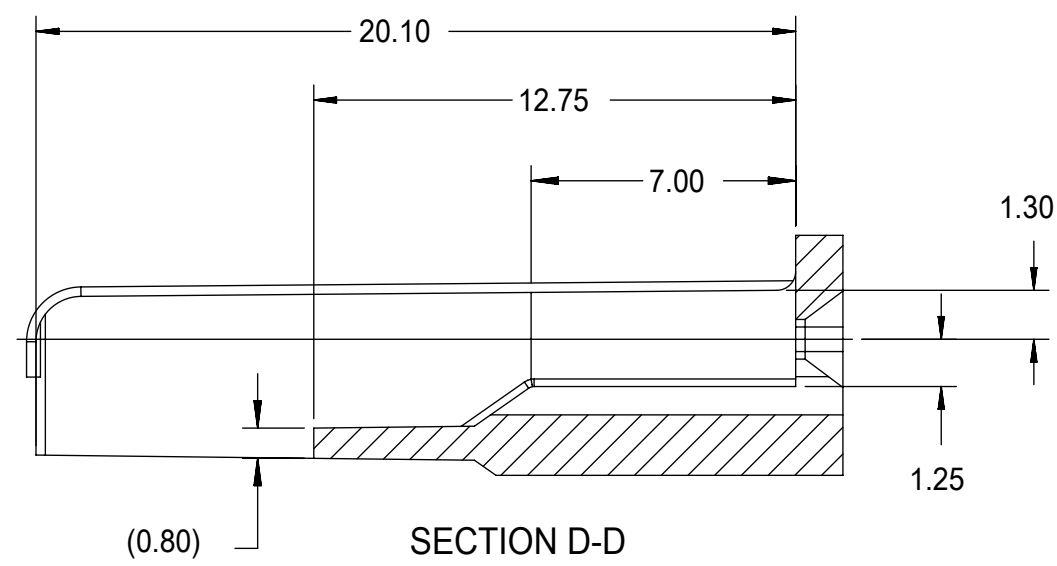
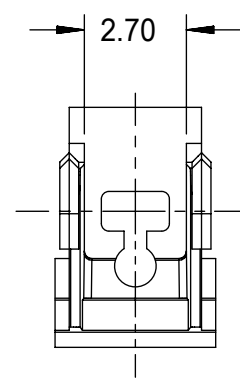


CRIMP REQUIREMENTS:

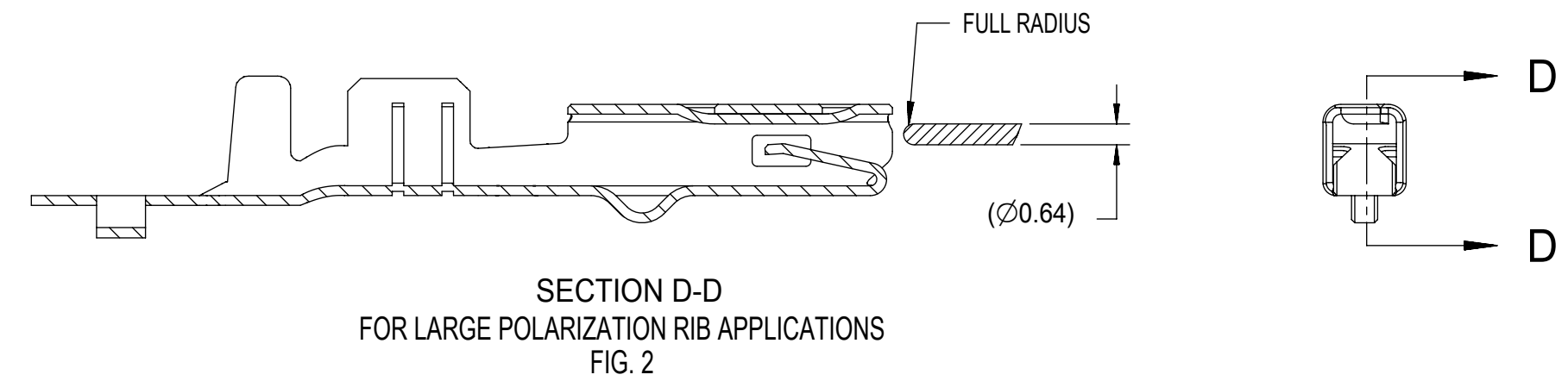
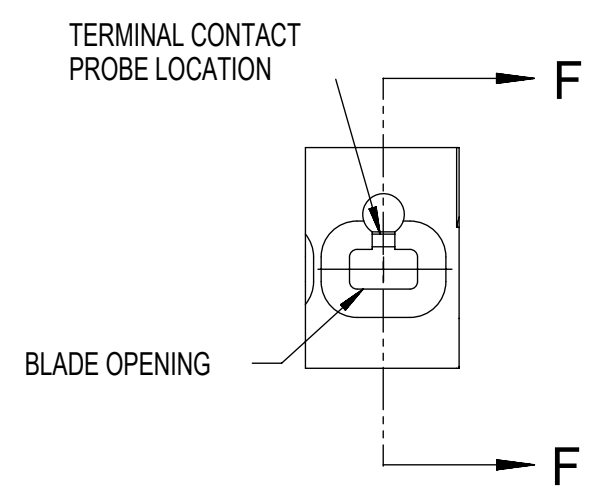
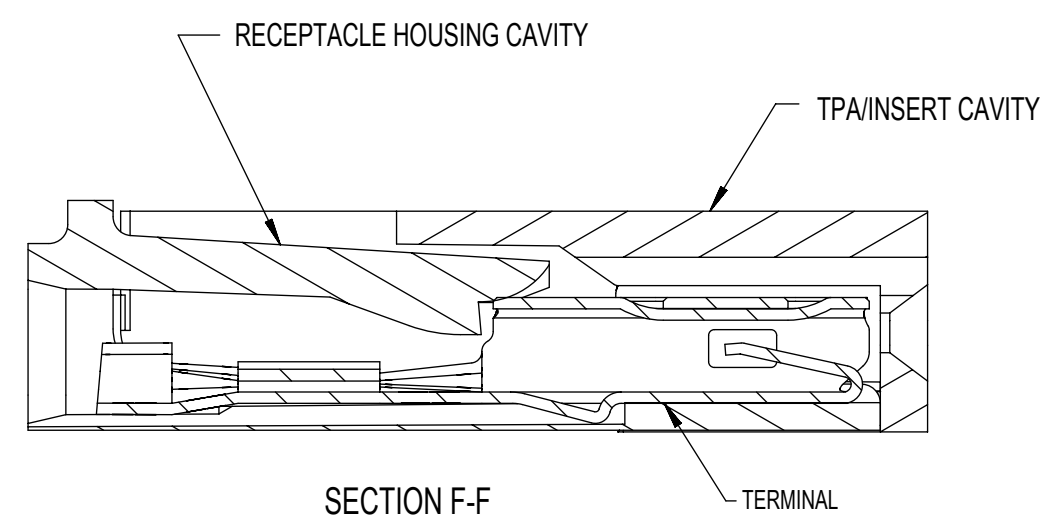
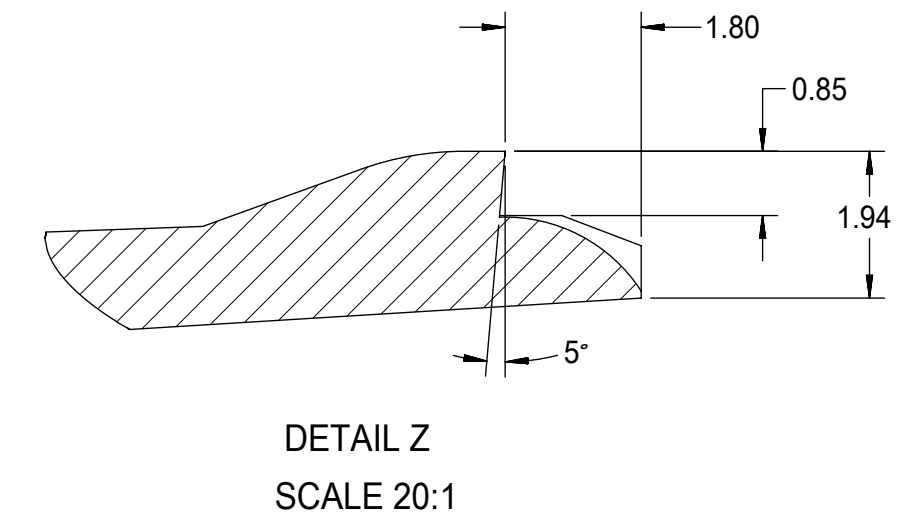
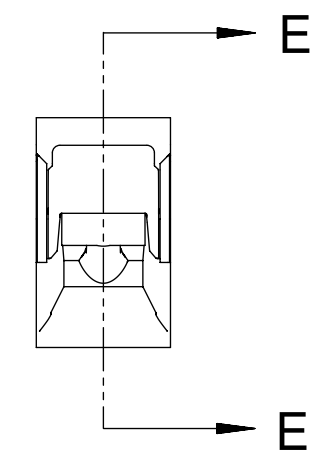
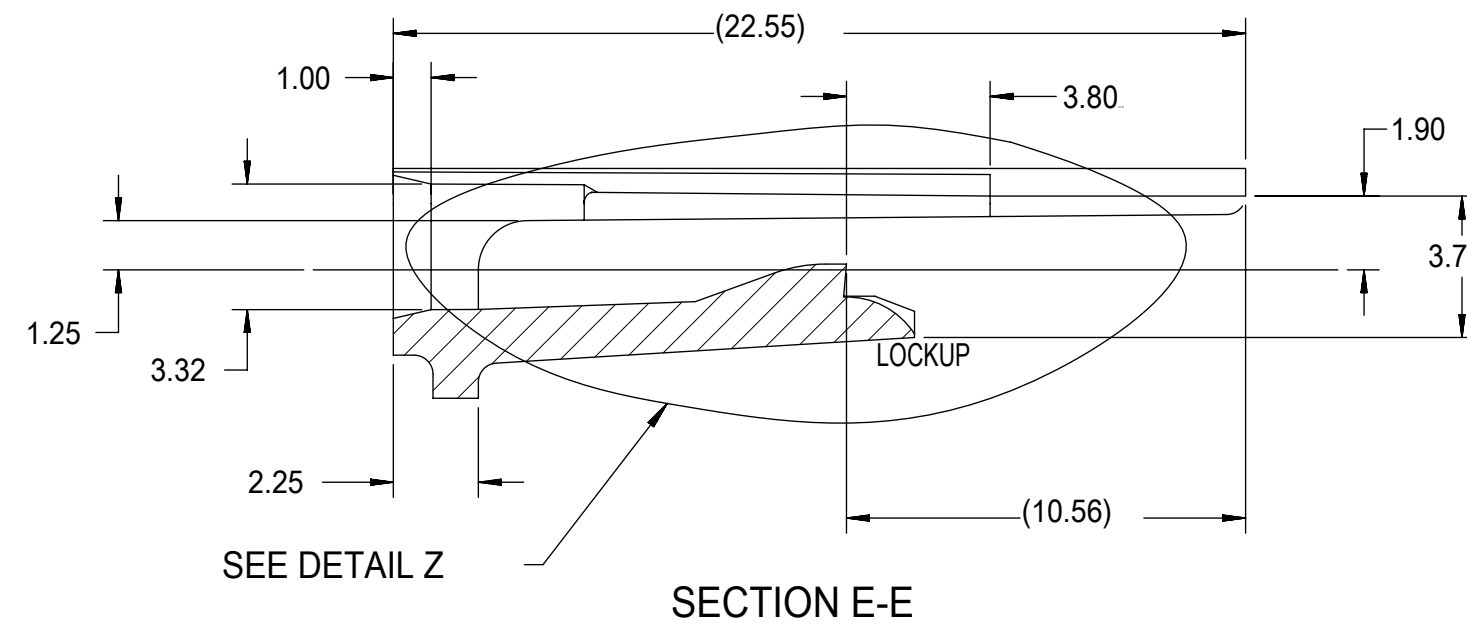
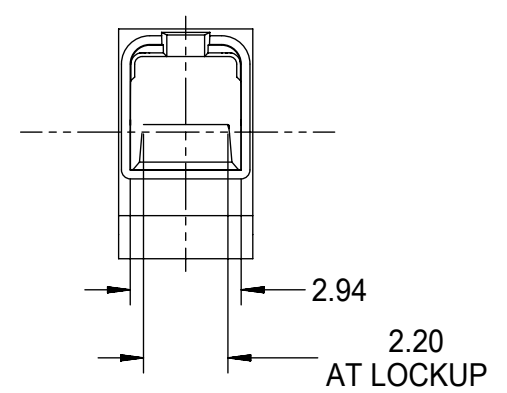
1. CRIMP STRAIGHTNESS MUST BE MAINTAINED USE A KNOCKDOWN TOOL LOCATED AS SHOWN TERMINAL BOX MUST NOT BE DEFORMED
2. AFTER CRIMPING, THE CRIMPED TERMINAL (AND UP TO 5 mm OF WIRE PAST THE INSULATOR CUTOFF TAB) MUST FIT FREELY INTO THE CHECKING-AID SHOWN ON THIS PAGE
3. FOR OTHER MECHANICAL REQUIREMENTS ON CRIMPED TERMINALS, REFER TO SAE/USCAR-21 (5-13-02) SECTIONS 4.2 (VISUAL INSPECTION), 4.2 (CROSS SECTION ANALYSIS) AND 4.4 (CONDUCTOR CRIMP PULLOUT FORCE)

UPPER & LOWER
CHECKING-AID
A2 TOOL STEEL
HARDEN & GRIND
ROCKWELL "C" 56-58

SYMBOLS		THIS DRAWING CONTAINS INFORMATION THAT IS PROPRIETARY TO MOLEX ELECTRONIC TECHNOLOGIES, LLC AND SHOULD NOT BE USED WITHOUT WRITTEN PERMISSION	
DIMENSION UNITS	SCALE	CURRENT REV DESC:	
▽ = 0	mm	2:1	
▽ = 0	GENERAL TOLERANCES (UNLESS SPECIFIED)		
▽ = 0	ANGULAR TOL ± 3.0°		
▽ = 0	4 PLACES ±		
▽ = 0	3 PLACES ±		
▽ = 0	2 PLACES ± 0.10		
▽ = 0	1 PLACE ± 0.3		
▽ = 0	0 PLACES ±		
▽ = 0	DRAFT WHERE APPLICABLE MUST REMAIN WITHIN DIMENSIONS		
▽ = 0	THIRD ANGLE PROJECTION	DRAWING	SERIES
		C-SIZE	33012
		EC NO: 645050	
		DRWN: BSKANTHARAJU 2020/09/03	
		CHK'D: JCUATACERVAN 2020/09/18	
		APPR: JCUATACERVAN 2020/09/18	
		INITIAL REVISION:	
		DRWN: LPULLIAM 2005/06/21	
		APPR: BMOSEY 2005/06/22	
		DOCUMENT NUMBER	DOC TYPE DOC PART REVISION
		SD-33012-002	PSD 001 D
		MATERIAL NUMBER	CUSTOMER
		SEE TABLE	GENERAL MARKET
		SHEET NUMBER	
		3 OF 5	



- NOTES: UNLESS OTHERWISE SPECIFIED
1. TOLERANCES: LINEAR ± 0.10
ANGULAR $\pm 3^\circ$
 2. ALL DRAFT WITHIN TOLERANCE.
 3. MAX RADII ON ALL CORNERS SHOWN SHARP: 0.10
 4. MAX FLASH PERMISSIBLE: 0.1
 5. EJECTOR PIN MARKS PERMISSIBLE IF FLUSH TO 0.25 BELOW SURFACE.
 6. MATERIAL: HOUSING/FINGER SPECIFICATION ENGINEERED FOR MATERIAL WITH THE FOLLOWING PROPERTIES:
A. FLEXURAL MODULUS = 4,500 TO 9,400 MPa
PER ASTM TEST D790
B. ELONGATION AT YIELD = 2.3% OR BETTER
PER ASTM TEST D638 TYPE V
 7. CAVITY SPEC FOR USE ONLY WITH MOLEX RECEPTACLE TERMINAL PART NUMBERS SPECIFIED ELSEWHERE ON THIS DRAWING



RECEPTACLE CAVITY ASSEMBLED VIEWS FOR SMALL POLARIZATION RIB APPLICATIONS FIG. 1

SECTION D-D FOR LARGE POLARIZATION RIB APPLICATIONS FIG. 2

PROBING DOWN THE THROAT MUST USE THIS TERMINAL PROBE
FOR PROBING INFORMATION REFERENCE MOLEX MX150 APPLICATION SPEC AS-33472-100

PREFERRED PROBING LOCATION IS NOT ON SPRING MEMBER
IF ELECTRICAL CONTINUITY PROBE TOUCHES SPRING MEMBER USE PROBING AS SHOWN IN FIG. 2

THIS DRAWING CONTAINS INFORMATION THAT IS PROPRIETARY TO MOLEX ELECTRONIC TECHNOLOGIES, LLC AND SHOULD NOT BE USED WITHOUT WRITTEN PERMISSION											
SYMBOLS		DIMENSION UNITS		SCALE		CURRENT REV DESC:					
▽ = 0		mm		5:1		EC NO: 645050					
▽ = 0		GENERAL TOLERANCES (UNLESS SPECIFIED)				DRWN: BSKANTHARAJU 2020/09/03					
▽ = 0		ANGULAR TOL $\pm 3.0^\circ$				CHK'D: JCUATACERVAN 2020/09/18					
▽ = 0		4 PLACES \pm				APPR: JCUATACERVAN 2020/09/18					
▽ = 0		3 PLACES \pm				INITIAL REVISION:					
▽ = 0		2 PLACES ± 0.10				DRWN: LPULLIAM 2005/06/21					
▽ = 0		1 PLACE ± 0.3				APPR: BMOSER 2005/06/22					
▽ = 0		0 PLACES \pm				THIRD ANGLE PROJECTION		DRAWING		SERIES	
▽ = 0		DRAFT WHERE APPLICABLE MUST REMAIN WITHIN DIMENSIONS				C-SIZE		33012		MATERIAL NUMBER	
		DOCUMENT STATUS		P1		RELEASE DATE		2020/09/18 18:32:02		CUSTOMER	
		DOCUMENT NUMBER		SD-33012-002		DOC TYPE		PSD		DOC PART	
		SHEET NUMBER		4 OF 5		CUSTOMER		GENERAL MARKET		REVISION	
										D	

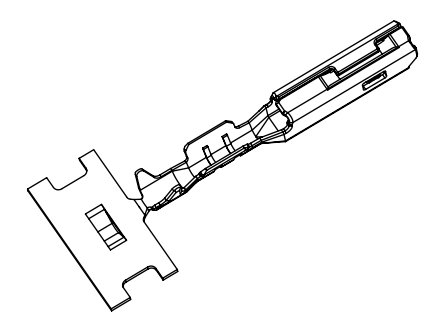


MX150 RECEPTACLE TERMINAL

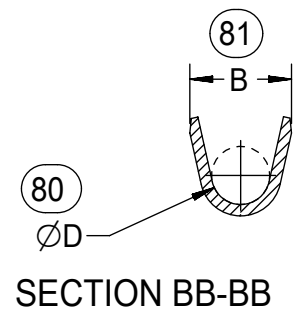
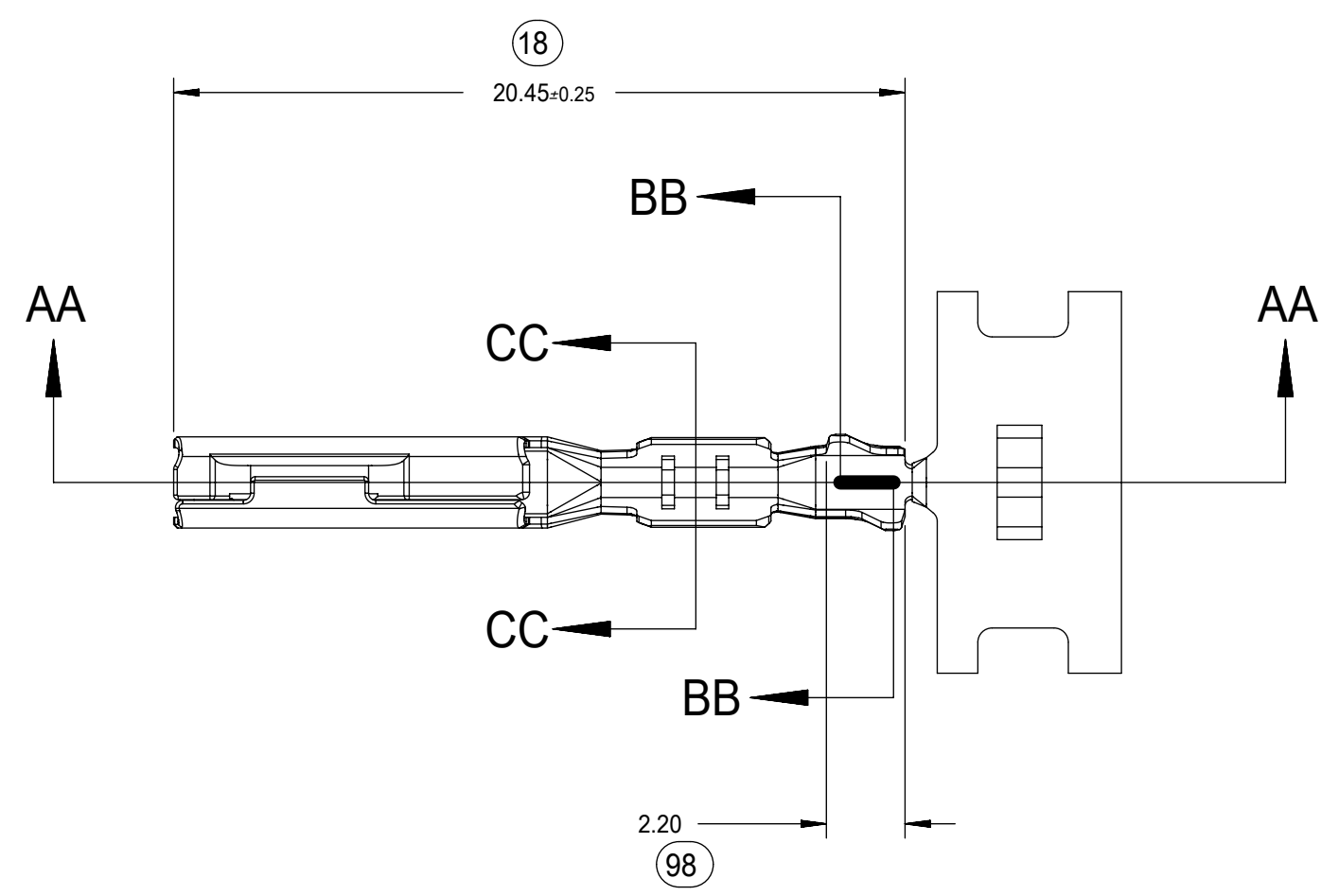
PRODUCT CUSTOMER DRAWING

DOCUMENT NUMBER SD-33012-002 DOC TYPE PSD DOC PART 001 REVISION D

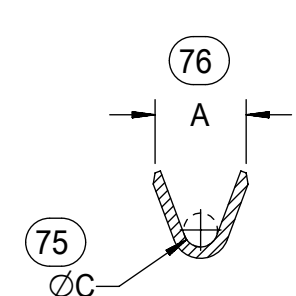
MATERIAL NUMBER SEE TABLE CUSTOMER GENERAL MARKET SHEET NUMBER 4 OF 5



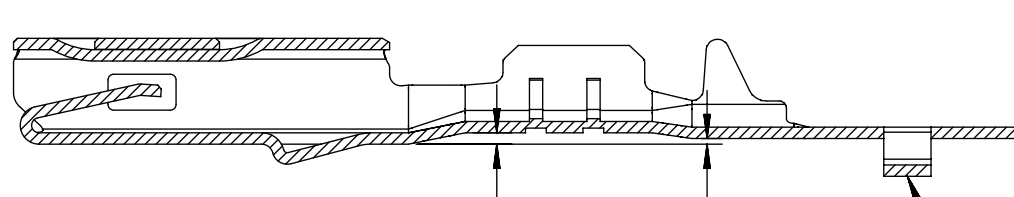
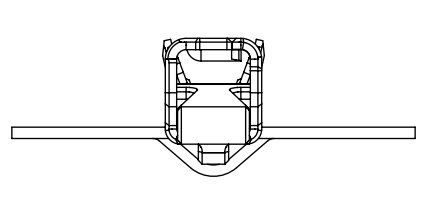
ISO VIEW
SCALE 2:1



SECTION BB-BB



SECTION CC-CC



SECTION AA-AA
M3 GRIP CODE TERMINAL
SEE TABLE (SHEET 2) FOR PART NUMBERS

CARRIER BUMP DIRECTION
POINTS DOWN FOR TIN PLATED TERMINAL
POINTS UP FOR PRECIOUS METAL PLATED TERMINAL

SYMBOLS ▽ = 0 ▽ = 0 ▽ = 0 ▽ = 0 ▽ = 0 ▽ = 0 ▽ = 0 ▽ = 0 ▽ = 0 ▽ = 0	THIS DRAWING CONTAINS INFORMATION THAT IS PROPRIETARY TO MOLEX ELECTRONIC TECHNOLOGIES, LLC AND SHOULD NOT BE USED WITHOUT WRITTEN PERMISSION		DIMENSION UNITS: mm SCALE: 5:1		CURRENT REV DESC:						
	GENERAL TOLERANCES (UNLESS SPECIFIED) ANGULAR TOL ± 3.0°		EC NO: 645050 DRWN: BSKANTHARAJU 2020/09/03 CHK'D: JCUATACERVAN 2020/09/18 APPR: JCUATACERVAN 2020/09/18		MX150 RECEPTACLE TERMINAL						
	4 PLACES ± 3 PLACES ± 2 PLACES ± 0.10 1 PLACE ± 0.3 0 PLACES ±		INITIAL REVISION: DRWN: LPULLIAM 2005/06/21 APPR: BMOSEY 2005/06/22		PRODUCT CUSTOMER DRAWING			DOCUMENT NUMBER	DOC TYPE	DOC PART	REVISION
	DRAFT WHERE APPLICABLE MUST REMAIN WITHIN DIMENSIONS		THIRD ANGLE PROJECTION	DRAWING	SERIES	MATERIAL NUMBER SEE TABLE		CUSTOMER GENERAL MARKET		SHEET NUMBER 5 OF 5	
				C-SIZE	33012	SD-33012-002		PSD	001	D	