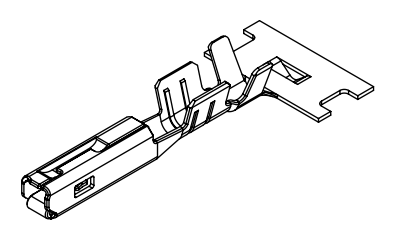
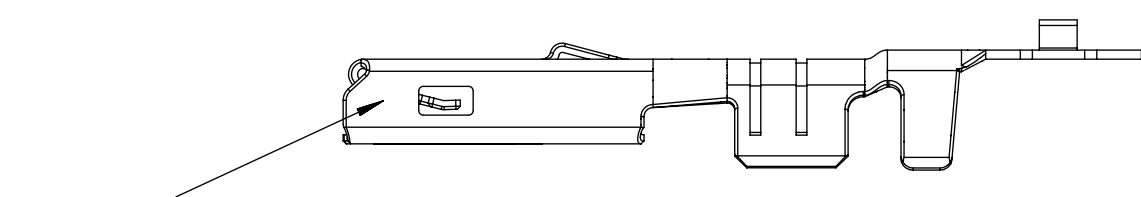
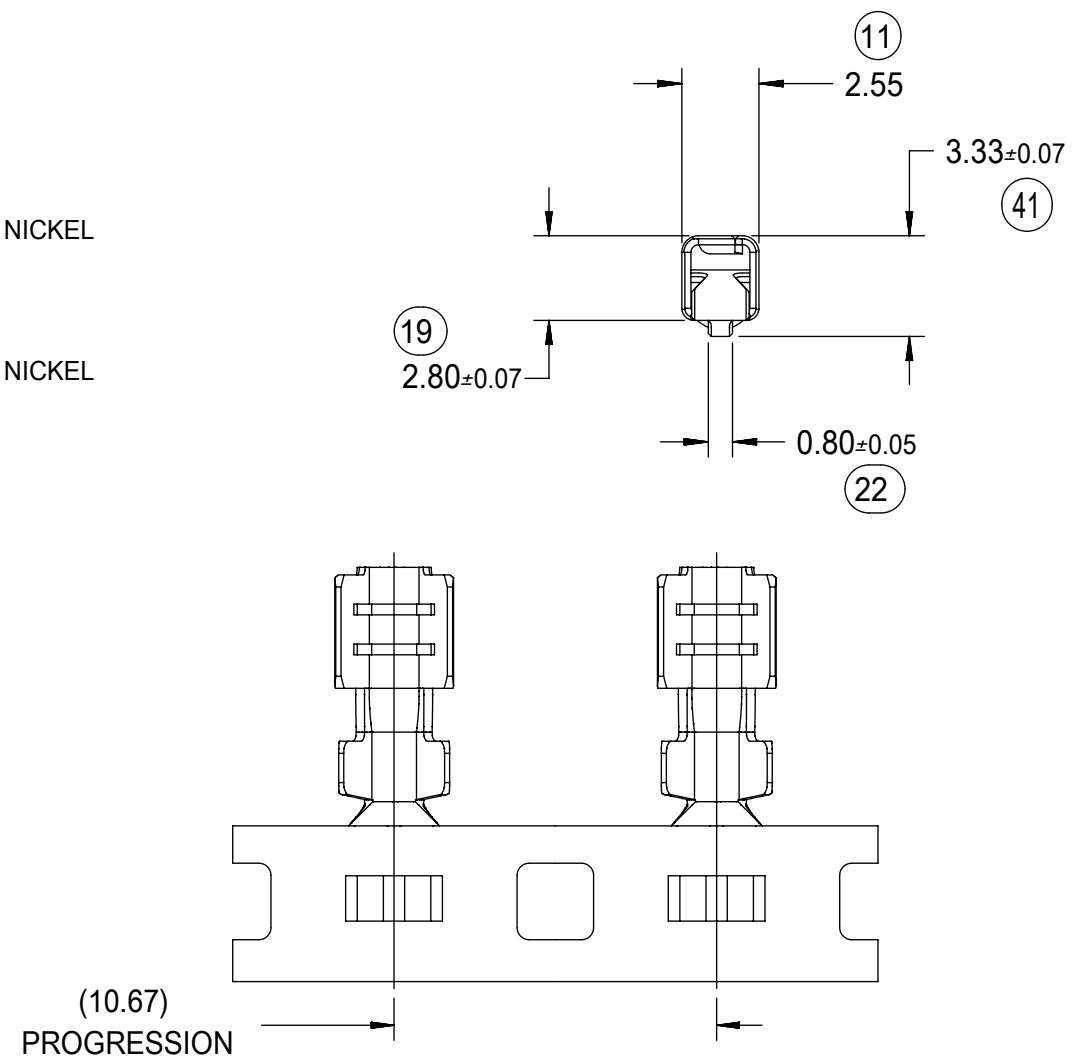


DIMENSIONS FOR LARGE POLARIZATION RIB TERMINAL ONLY

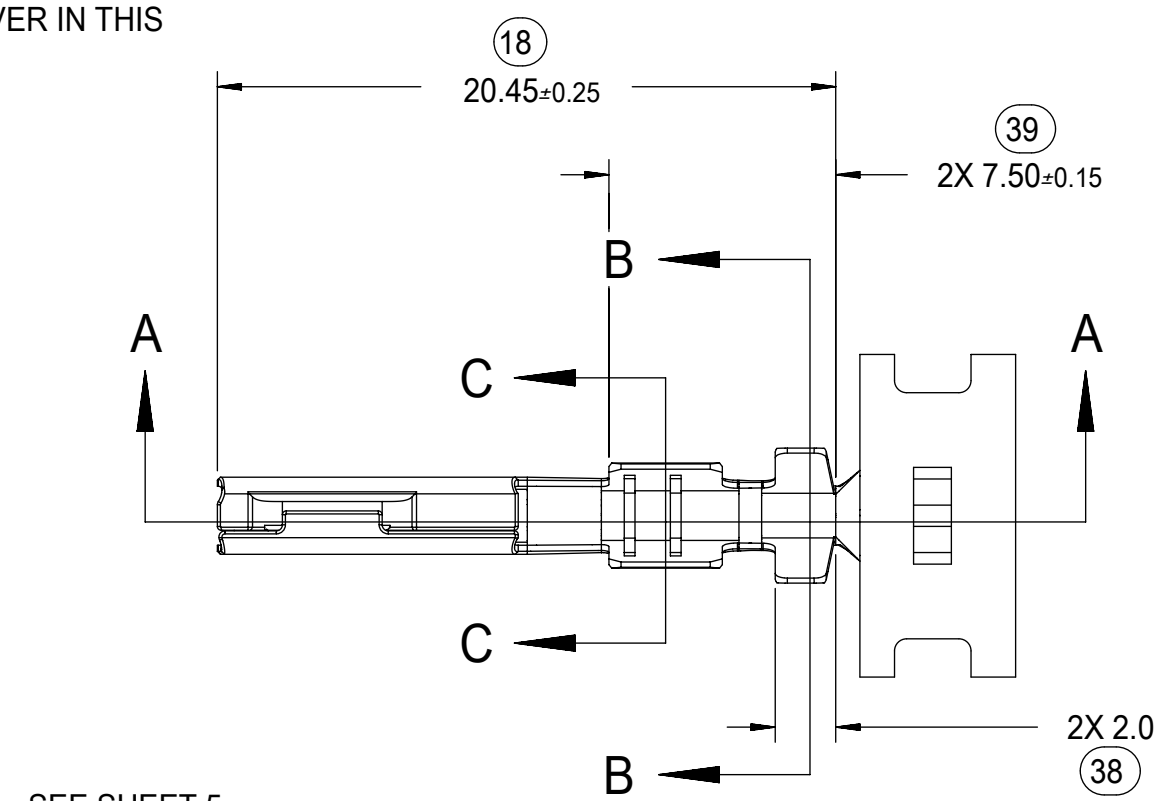
勝特力電材超市-龍山店 886-3-5773766
 勝特力電材超市-光復店 886-3-5729570
 勝特力电子(上海) 86-21-34970699
 勝特力电子(深圳) 86-755-83298787
<http://www.100y.com.tw>

NOTES: (UNLESS OTHERWISE SPECIFIED)

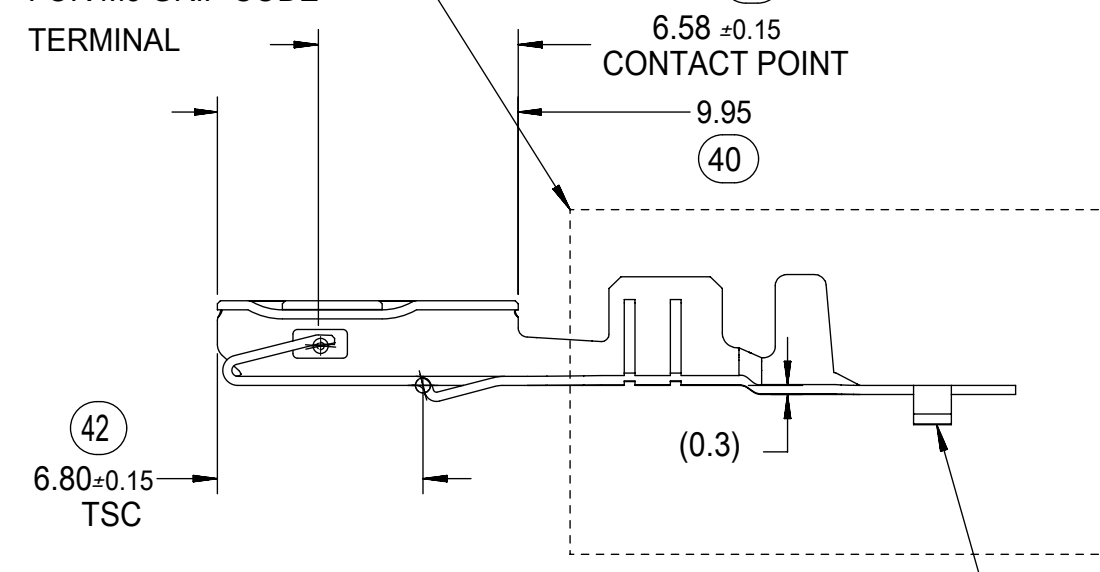
- MATING TERMINAL SHOWN ON SD-33000-001
- MATERIAL: ASTM B422, UNS C19025, HR04
 THICKNESS: 0.30 mm ±0.01
 TEMPER: FULL HARD (REF)
 TENSILE: 496 MIN MPA
- TIN PLATED TERMINAL FINISH:
 OVERALL UNDERPLATE ELECTRODEPOSITED NICKEL
 OVERALL ELECTRODEPOSITED REFLOW TIN
- GOLD PLATED TERMINAL FINISH
 OVERALL UNDERPLATE ELECTRODEPOSITED DUCTILE SULFAMATE NICKEL
 CONTACT AREA - ELECTRODEPOSITED GOLD
 GRIP AREA - ELECTRODEPOSITED 100% TIN MATTE FINISH
- SILVER PLATED TERMINAL FINISH
 OVERALL UNDERPLATE ELECTRODEPOSITED DUCTILE SULFAMATE NICKEL
 CONTACT AREA - ELECTRODEPOSITED PURE SILVER (0.5% MAX
 IMPURITIES) SEMI-BRIGHT FINISH
 - SILVER ANTI-TARNISH : EVABRITE
 GRIP AREA - ELECTRODEPOSITED 100% TIN MATTE FINISH
- MEETS PERFORMANCE SPECIFICATION FOR CABLE TO TERMINAL
 ELECTRICAL CRIMPS PER SAE/USCAR-21 (8/2001)
- MEETS PERFORMANCE STANDARD FOR AUTOMOTIVE ELECTRICAL
 CONNECTOR SYSTEMS FOR SAE/USCAR-2, REV. 4 (TEMP CLASS 3)
 (5/2004)
- MEETS ELECTRICAL CONNECTION SYSTEM DESIGN SPECIFICATION
 (SDS) REV.11 (5/2002)
- MEETS FIELD CORRELATED LIFE TEST (FCLT) PER
 SAE/USCAR-20 (6/2004)
- MEETS WIRING COMPONENT DESIGN GUIDELINES SAE/USCAR-12
 REV 2 (12/2001)
- TSC ON A DIMENSION TO BE INTERPRETED AS DISTANCE TO
 A THEORETICAL SHARP CORNER AS IF THE RADIUS WERE NOT
 PRESENT
- REFERENCE 97BG-14474-AAB FOR LARGE POLARIZATION RIB
 CAVITY SPECIFICATION
- INSERTION FORCE (TIN) AVG. FROM PV TESTING =
 3.8N LARGE POLARIZATION RIB
 3.5N SMALL POLARIZATION RIB
 (REFERENCE)
- ALL DIMENSIONS EXCEPT (33), (34), (41) & (42) ARE COMMON TO
 BOTH SMALL AND LARGE POLARIZATION RIB TERMINALS
- REFERENCE PK-31300-516 FOR REEL DIRECTION
- REFERENCE AS-33012-002 FOR CRIMP INFORMATION



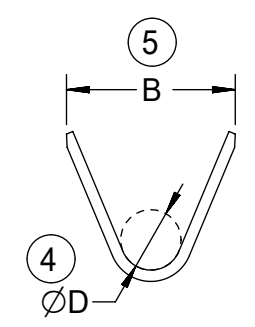
SCALE 2:1



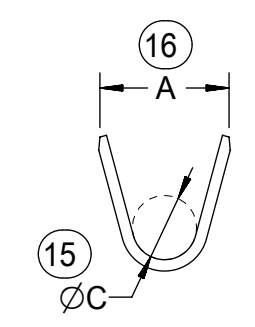
SEE SHEET 5
 FOR M3 GRIP CODE
 TERMINAL



SECTION A-A



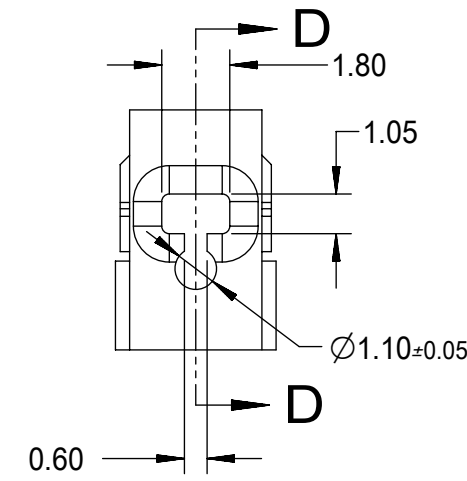
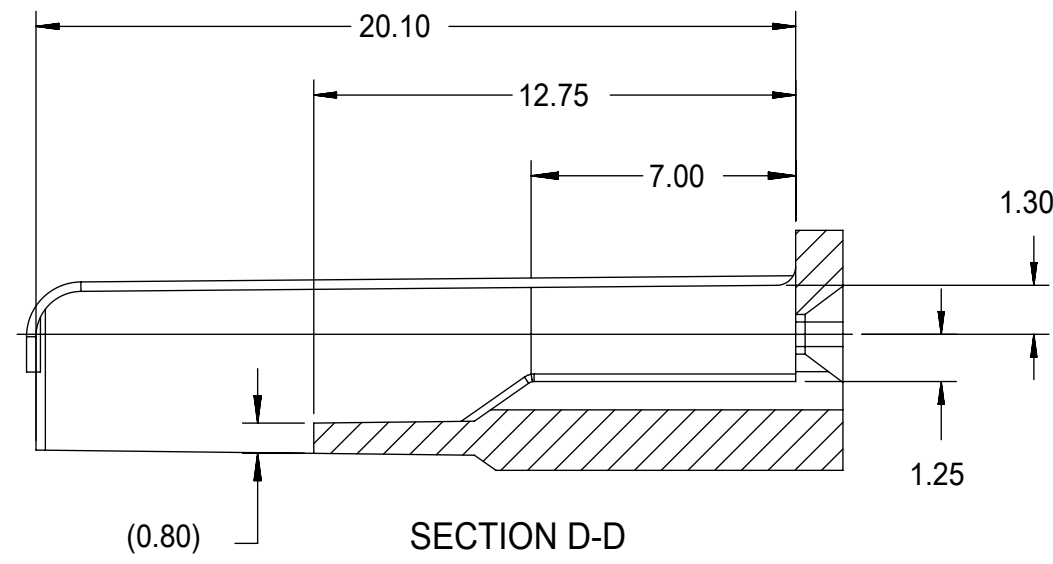
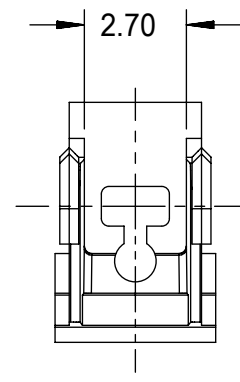
SECTION B-B
 SCALE 5:1



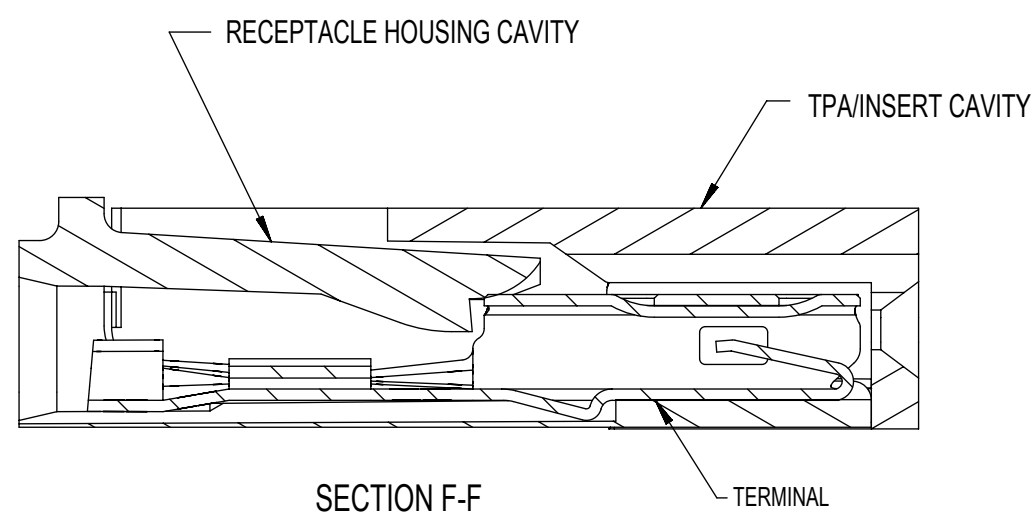
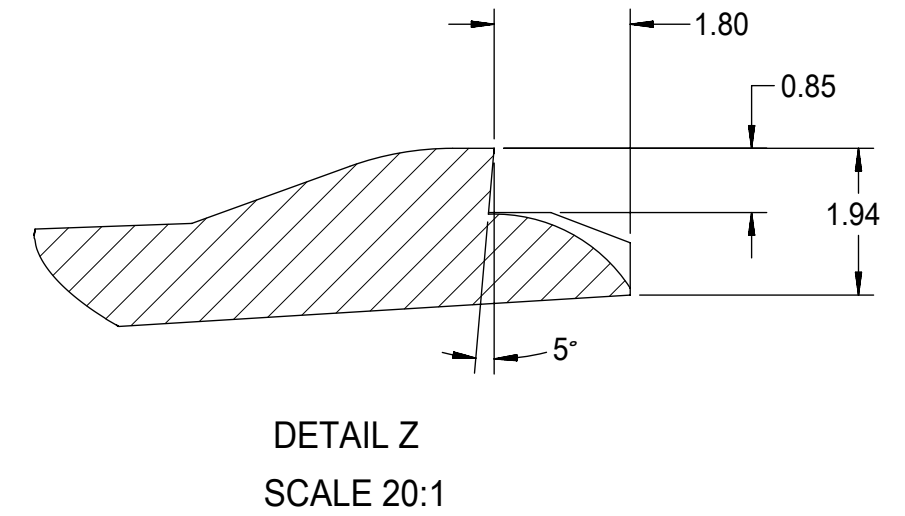
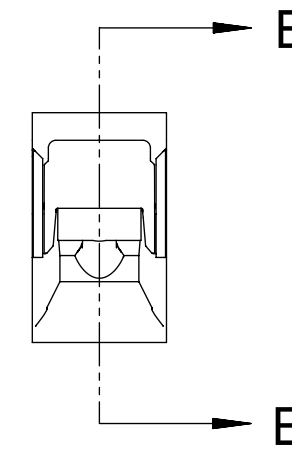
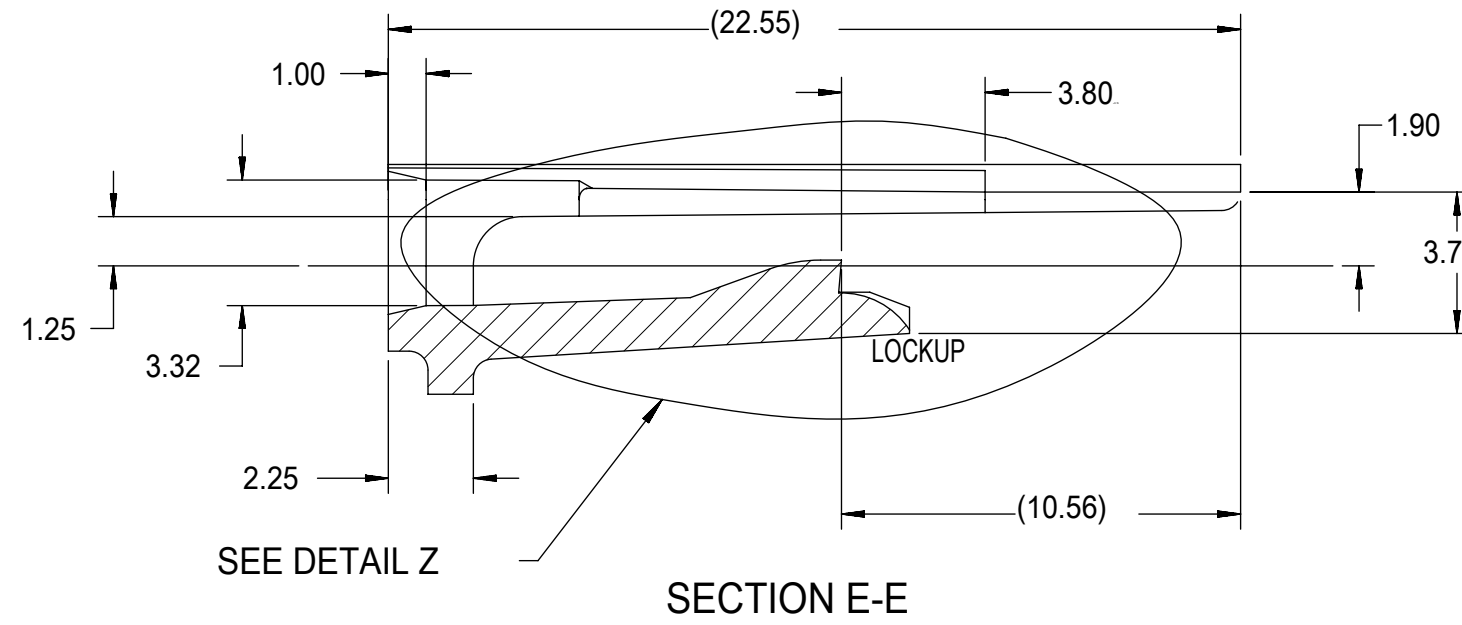
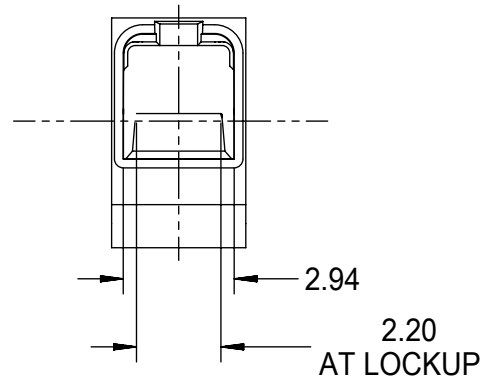
SECTION C-C
 SCALE 5:1

CARRIER BUMP DIRECTION
 POINTS DOWN FOR TIN PLATED TERMINALS
 POINTS UP FOR PRECIOUS PLATED TERMINALS

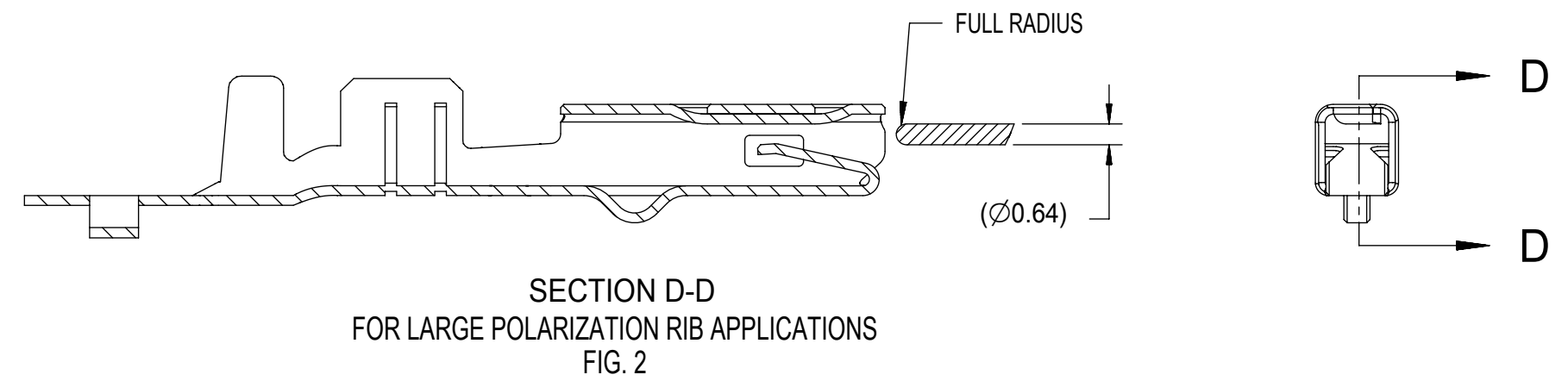
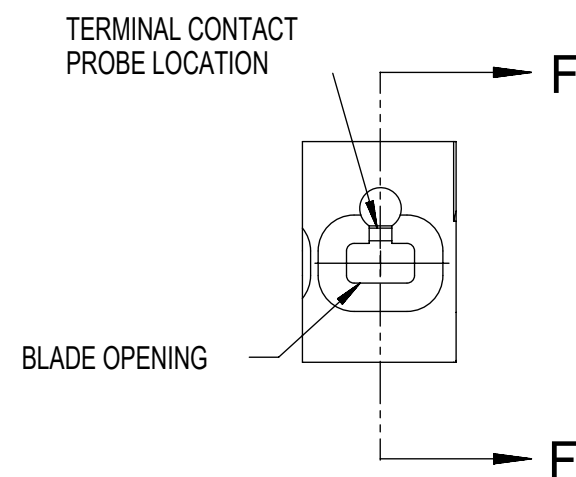
SYMBOLS										THIS DRAWING CONTAINS INFORMATION THAT IS PROPRIETARY TO MOLEX ELECTRONIC TECHNOLOGIES, LLC AND SHOULD NOT BE USED WITHOUT WRITTEN PERMISSION									
DIMENSION UNITS		SCALE		CURRENT REV DESC:															
mm		4:1		EC NO: 645050															
GENERAL TOLERANCES (UNLESS SPECIFIED)				DRWN: BSKANTHARAJU 2020/09/03															
ANGULAR TOL ± 3.0°				CHK'D: JCUATACERVAN 2020/09/18															
4 PLACES ±				APPR: JCUATACERVAN 2020/09/18															
3 PLACES ±				INITIAL REVISION:															
2 PLACES ± 0.10				DRWN: LPULLIAM 2005/06/21															
1 PLACE ± 0.3				APPR: BMOSEY 2005/06/22															
0 PLACES ±				DRAFT WHERE APPLICABLE MUST REMAIN WITHIN DIMENSIONS		THIRD ANGLE PROJECTION		DRAWING		SERIES		DOCUMENT NUMBER		DOC TYPE		DOC PART		REVISION	
C-SIZE		33012		SEE TABLE		GENERAL MARKET		SD-33012-002		PSD		001		D		1 OF 5			



- NOTES: UNLESS OTHERWISE SPECIFIED
1. TOLERANCES: LINEAR ± 0.10
ANGULAR $\pm 3^\circ$
 2. ALL DRAFT WITHIN TOLERANCE.
 3. MAX RADII ON ALL CORNERS SHOWN SHARP: 0.10
 4. MAX FLASH PERMISSIBLE: 0.1
 5. EJECTOR PIN MARKS PERMISSIBLE IF FLUSH TO 0.25 BELOW SURFACE.
 6. MATERIAL: HOUSING/FINGER SPECIFICATION ENGINEERED FOR MATERIAL WITH THE FOLLOWING PROPERTIES:
A. FLEXURAL MODULUS = 4,500 TO 9,400 MPa
PER ASTM TEST D790
B. ELONGATION AT YIELD = 2.3% OR BETTER
PER ASTM TEST D638 TYPE V
 7. CAVITY SPEC FOR USE ONLY WITH MOLEX RECEPTACLE TERMINAL PART NUMBERS SPECIFIED ELSEWHERE ON THIS DRAWING



RECEPTACLE CAVITY ASSEMBLED VIEWS FOR SMALL POLARIZATION RIB APPLICATIONS FIG. 1



SECTION D-D FOR LARGE POLARIZATION RIB APPLICATIONS FIG. 2

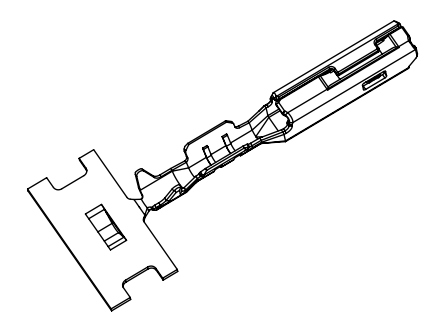
PROBING DOWN THE THROAT MUST USE THIS TERMINAL PROBE

FOR PROBING INFORMATION REFERENCE MOLEX MX150 APPLICATION SPEC AS-33472-100

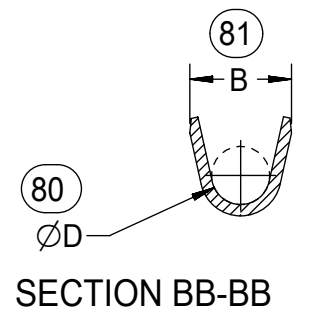
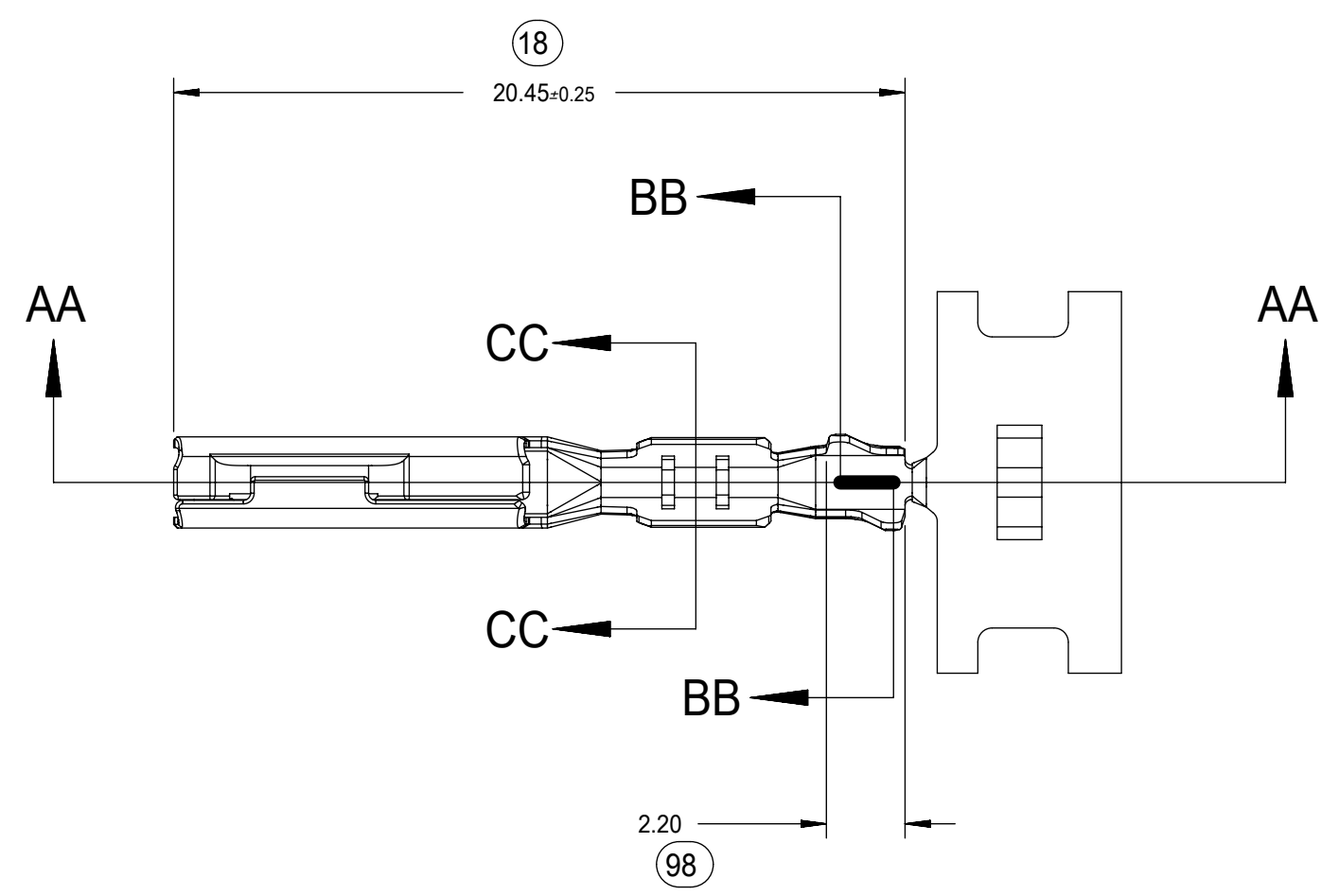
PREFERRED PROBING LOCATION IS NOT ON SPRING MEMBER

IF ELECTRICAL CONTINUITY PROBE TOUCHES SPRING MEMBER USE PROBING AS SHOWN IN FIG. 2

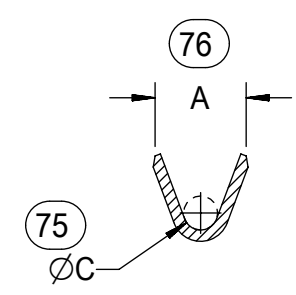
SYMBOLS		THIS DRAWING CONTAINS INFORMATION THAT IS PROPRIETARY TO MOLEX ELECTRONIC TECHNOLOGIES, LLC AND SHOULD NOT BE USED WITHOUT WRITTEN PERMISSION		CURRENT REV DESC:		molex			
DIMENSION UNITS	SCALE					DOC TYPE	DOC PART	REVISION	
$\nabla = 0$	mm	5:1					MX150 RECEPTACLE TERMINAL		
$\nabla / = 0$	GENERAL TOLERANCES (UNLESS SPECIFIED)		EC NO: 645050				PRODUCT CUSTOMER DRAWING		
$\nabla \setminus = 0$	ANGULAR TOL $\pm 3.0^\circ$		DRWN: BSKANTHARAJU 2020/09/03				DOCUMENT NUMBER		
$\nabla \setminus / = 0$	4 PLACES \pm		CHK'D: JCUATACERVAN 2020/09/18				DOC TYPE		
$\nabla \setminus \setminus = 0$	3 PLACES \pm		APPR: JCUATACERVAN 2020/09/18				DOC PART		
$\nabla \setminus \setminus / = 0$	2 PLACES ± 0.10		INITIAL REVISION:				REVISION		
$\nabla \setminus \setminus \setminus = 0$	1 PLACE ± 0.3		DRWN: LPULLIAM 2005/06/21				SD-33012-002		
$\nabla \setminus \setminus \setminus / = 0$	0 PLACES \pm		APPR: BMOSER 2005/06/22				PSD 001 D		
$\nabla \setminus \setminus \setminus \setminus = 0$	DRAFT WHERE APPLICABLE MUST REMAIN WITHIN DIMENSIONS		THIRD ANGLE PROJECTION		DRAWING		SERIES		
$\nabla \setminus \setminus \setminus \setminus / = 0$			C-SIZE		33012		MATERIAL NUMBER		
				SEE TABLE		CUSTOMER		SHEET NUMBER	
				GENERAL MARKET				4 OF 5	



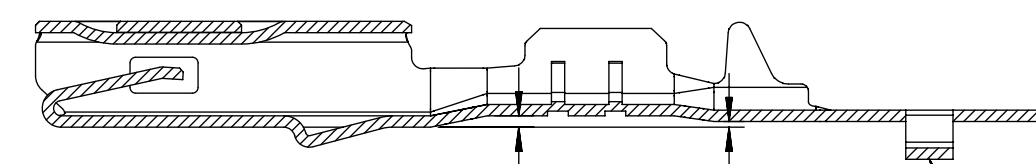
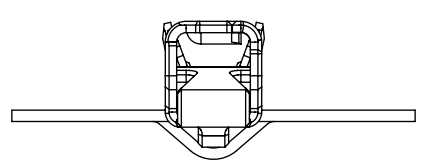
ISO VIEW
SCALE 2:1



SECTION BB-BB



SECTION CC-CC



SECTION AA-AA
M3 GRIP CODE TERMINAL
SEE TABLE (SHEET 2) FOR PART NUMBERS

CARRIER BUMP DIRECTION
POINTS DOWN FOR TIN PLATED TERMINAL
POINTS UP FOR PRECIOUS METAL PLATED TERMINAL

SYMBOLS ▽ = 0 ▽ = 0 ▽ = 0 ▽ = 0 ▽ = 0 ▽ = 0 ▽ = 0 ▽ = 0 ▽ = 0 ▽ = 0	THIS DRAWING CONTAINS INFORMATION THAT IS PROPRIETARY TO MOLEX ELECTRONIC TECHNOLOGIES, LLC AND SHOULD NOT BE USED WITHOUT WRITTEN PERMISSION		DIMENSION UNITS: mm SCALE: 5:1		CURRENT REV DESC:				
	GENERAL TOLERANCES (UNLESS SPECIFIED) ANGULAR TOL ± 3.0°		EC NO: 645050 DRWN: BSKANTHARAJU 2020/09/03 CHK'D: JCUATACERVAN 2020/09/18 APPR: JCUATACERVAN 2020/09/18		MX150 RECEPTACLE TERMINAL				
	DRAFT WHERE APPLICABLE MUST REMAIN WITHIN DIMENSIONS		THIRD ANGLE PROJECTION		DRAWING: C-SIZE SERIES: 33012		PRODUCT CUSTOMER DRAWING		
	INITIAL REVISION: DRWN: LPULLIAM 2005/06/21 APPR: BMOSEY 2005/06/22		DOCUMENT NUMBER: SD-33012-002 DOC TYPE: PSD DOC PART: 001 REVISION: D		MATERIAL NUMBER: SEE TABLE CUSTOMER: GENERAL MARKET		SHEET NUMBER: 5 OF 5		



产品编号 : [330123003](#)

Product Description : MX150 Female Terminal for Mat-Sealed Connectors, Tin Plating, 22 AWG, Left Reel Payoff

系列号 : 33012

状态 : Active

Product Category : Crimp Terminals



文件和资源

图纸

[图纸 330123003_sd.pdf](#)

[包装设计图 313025040-000.pdf](#)

规格

[应用规格 330120000-AS-KR-000.pdf](#)

[测试摘要 TS-33012-002-001.pdf](#)

产物环境合规

合规

GADSL/IMDS	Compliant with Exemption 44; 34; 33
China RoHS	
EU ELV	Compliant per 2000/53/EC
Low-Halogen Status	Low-Halogen per IEC 61249-2-21
REACH SVHC	Not Contained per D(2023)3788-DC (14 Jun 2023)
EU RoHS	Compliant per EU 2015/863

多部分产品合规性声明

- Eu RoHS
- REACH SVHC
- Low-Halogen

多部分行业合规性文件

- IPC 1752A Class C
- IPC 1752A Class D
- Molex Product Compliance Declaration

- IEC-62474

- chemSHERPA (xml)

欧盟 RoHS 合格证书

产品详情

常规

状态	活动
类别	Crimp Terminals
系列	33012
说明	MX150 Female Terminal for Mat-Sealed Connectors, Tin Plating, 22 AWG, Left Reel Payoff
应用	Power, Wire-to-Board, Wire-to-Wire
个评论	Left Reel Payoff, Small Polarization Rib
产品系列	MX150 Sealed and Unsealed Connector System
产品名称	MX150
UPC	822350084307

电气

每触点最大电流	Contact Molex
电压 - 最大	14V DC

物理

耐用性(插拔次数) - 最多次数	25
性别	女
夹具代码	22
材料 - 金属	High Performance Alloy (HPA)
材料 - 接合部位电镀	Tin
材料 - 终端电镀	Tin
净重	0.391/g
包装形式	Reel
最薄镀层 - 接合部位	0.508µm
最薄镀层 - 端接	0.508µm
终端界面类型	Crimp or Compression

导线绝缘直径	1.70mm max.
线径规格 (AWG)	22
线缆尺寸mm ²	0.30

进程

无铅	不适用
----	-----

可连接使用部件

描述	产品编号
MX150 Mat-Sealed Single Row Female Connector Assemblies	<u>33471</u>
MX150 Mat-Sealed Dual Row Female Connector Assemblies	<u>33472</u>

施工工具

全局

描述	产品编号
Extraction Toolkit for MX150 Connectors	<u>2002220700</u>
PremiumGrade Hand Crimp Tool for MX150 Female Terminals, 18-22 AWG	<u>0638116000</u>
Hand Crimp Tool Metric 0.5 and 0.75	<u>0638116200</u>
Extraction Tool for MX150L, MX150, PT Bulb Socket, iGrid, SPOX, and Wire-to-Motor Terminals	<u>0638131500</u>
FineAdjust Applicator for SRC Connector using MX150 Receptacle Terminals, 0.50mm ² CHEMINAX 2021D0309 wire	<u>0639042000</u>
ServiceGrade Hand Crimp Tool for MX150 Crimp Terminals, 14-22 AWG	<u>0640160133</u>