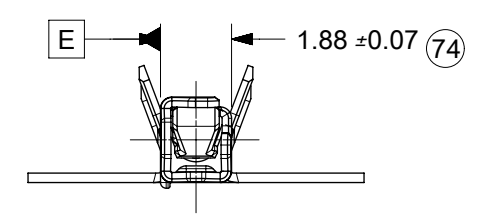
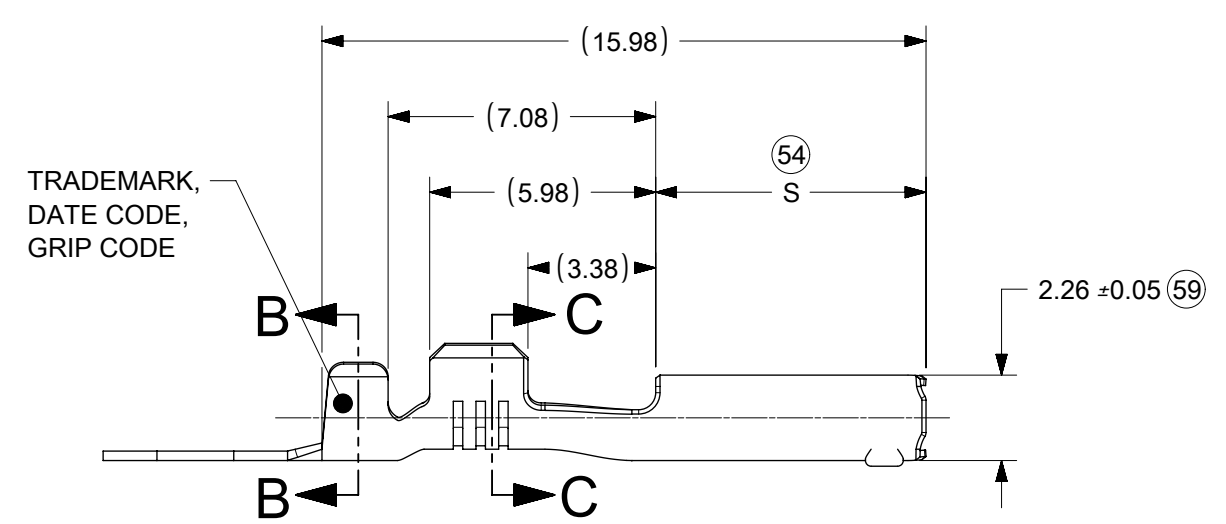
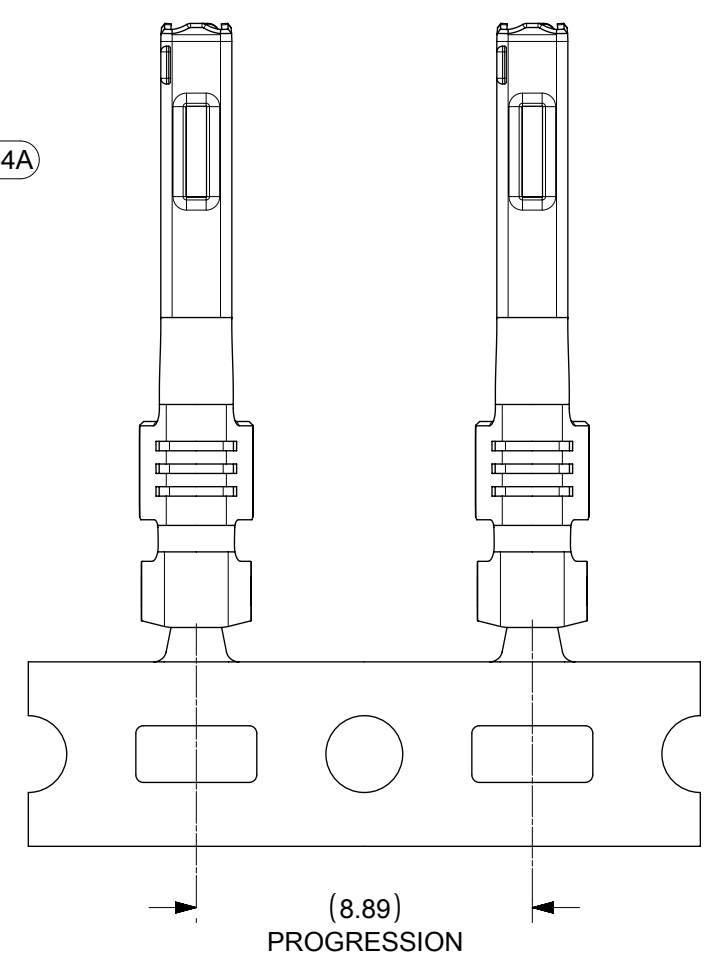
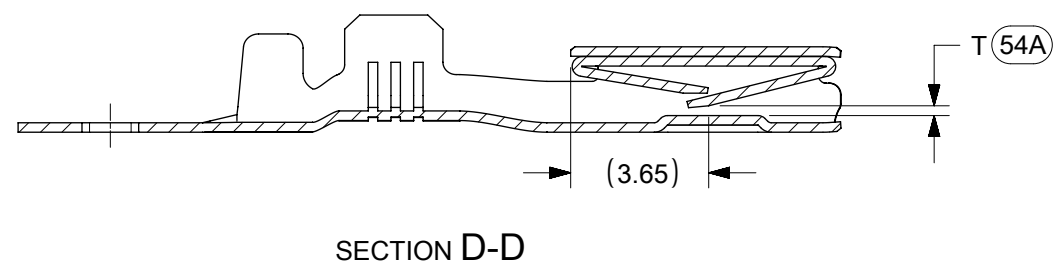
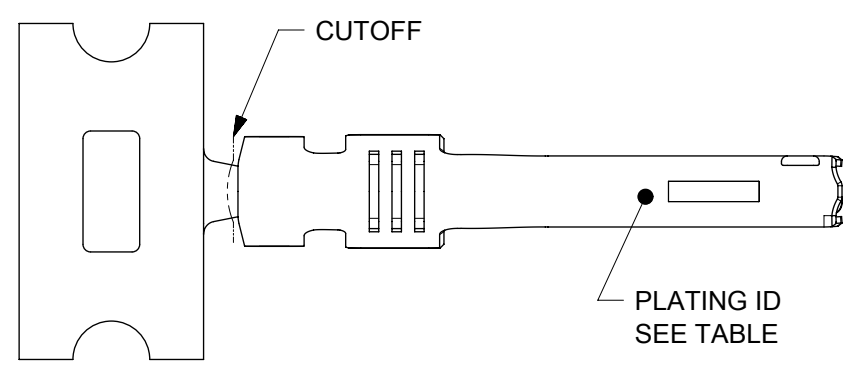


ISO VIEWS  
SCALE 3:1



勝特力電材超市-龍山店 886-3-5773766  
 勝特力電材超市-光復店 886-3-5729570  
 勝特力电子(上海) 86-21-34970699  
 勝特力电子(深圳) 86-755-83298787  
<http://www.100y.com.tw>

- NOTES: (UNLESS OTHERWISE SPECIFIED)
- MATERIALS: SEE TABLE
  - PACKAGING SPECIFICATION: PK-31300-516 AND PK-30907-759
  - CRIMPING PER APPLICATION SPECIFICATION AS-33468-001
  - CRIMPED LEAD MEETS THE FOLLOWING:
    - SAE/USCAR-21, MAY 2002
    - SAE/USCAR-2, REV. 3, APRIL 2001
    - SAE/USCAR-12, REV. 2
    - GMW #3191 AUGUST 22, 2000 (DRAFT) TEMPERATURE CLASS 3, APPLIES ONLY TO Au PARTS
    - GMW #3191 JANUARY, 2005 TEMPERATURE CLASS 3, APPLIES ONLY TO Ag PARTS
  - PLATING NOTES:
    - TIN PLATING (ENTIRE TERMINAL)
      - ELECTRO REFLOW 1.90 - 3.30 MICROMETERS TIN OVER 0.25 - 0.76 MICROMETERS NICKEL
    - GOLD PLATING
      - UNDERPLATE OVERALL 1.25-2.25 MICROMETERS DUCTILE SULPHAMATE NICKEL
      - ELECTRODEPOSITED GOLD 0.76 - 1.5 MICROMETERS IN CONTACT AREAS
      - ELECTRODEPOSITED TIN MATTE FINISH 2.5 - 4.0 MICROMETERS IN CRIMP AREA
    - SILVER PLATING
      - UNDERPLATE OVERALL 1.25-2.25 MICROMETERS DUCTILE SULPHAMATE NICKEL
      - ELECTRODEPOSITED PURE SILVER 99.5% PURITY SEMI-BRIGHT FINISH WITH NO BRIGHTENERS OR CHROMATES 1.9 - 3.3 MICROMETERS IN CONTACT AREAS
      - ANTI-TARNISH TREATMENT FOR SILVER PLATED AREA: SYNTHETIC HYDROCARBON CONTACT SURFACE FINISH OR EQUIVALENT
      - ELECTRODEPOSITED TIN MATTE FINISH 2.5 - 4.0 MICROMETERS IN CRIMP AREA



WIRE SIZE	GRIP CODE	PART NUMBER	REEL PAYOFF DIRECTION	DIM A	DIM B	DIM S	DIM T	DIM AF	DIM AG	BASE MATERIAL	PLATING ID
22 AWG	A	33468-0002	D	2.3	2.3	7.15 ±0.10	0.26 ±0.07	(2.1)	(2.1)	COPPER ALLOY	Sn Lead Free
		33468-0001	B	2.3	2.3	6.97-7.27	0.26 ±0.07	(2.1)	(2.1)	COPPER ALLOY	Au Lead Free
		33467-0004	D	2.3	2.3	6.97-7.27	0.26 ±0.07	(2.1)	(2.1)	COPPER ALLOY	Ag Lead Free
		34736-1001	D	2.3	2.3	6.97-7.27	0.26 ±0.07	(2.1)	(2.1)	COPPER ALLOY	Ag Lead Free
		34736-2001	B	2.3	2.3	6.97-7.27	0.26 ±0.07	(2.1)	(2.1)	COPPER ALLOY	Ag Lead Free
18/20 AWG	B	33468-0004	D	3.0	2.9	7.15 ±0.10	0.26 ±0.07	(2.8)	(2.6)	COPPER ALLOY	Sn Lead Free
		33468-0003	B	3.0	2.9	6.97-7.27	0.26 ±0.07	(2.8)	(2.6)	COPPER ALLOY	Au Lead Free
		33467-0006	D	3.0	2.9	6.97-7.27	0.26 ±0.07	(2.8)	(2.6)	COPPER ALLOY	Au Lead Free
		33467-0005	B	3.0	2.9	6.97-7.27	0.26 ±0.07	(2.8)	(2.6)	COPPER ALLOY	Au Lead Free
		34736-1002	D	3.0	2.9	6.97-7.27	0.26 ±0.07	(2.8)	(2.6)	COPPER ALLOY	Ag Lead Free
34736-2002	B	3.0	2.9	6.97-7.27	0.26 ±0.07	(2.8)	(2.6)	COPPER ALLOY	Ag Lead Free		

THIS DRAWING CONTAINS INFORMATION THAT IS PROPRIETARY TO MOLEX ELECTRONIC TECHNOLOGIES, LLC AND SHOULD NOT BE USED WITHOUT WRITTEN PERMISSION

DIMENSION UNITS: mm	SCALE: 5:1	CURRENT REV DESC:		<b>molex</b>			
GENERAL TOLERANCES (UNLESS SPECIFIED)		EC NO: 601885					
ANGULAR TOL	± 3	DRWN: NVENKATESHSH 2018/05/31		PRODUCT CUSTOMER DRAWING			
4 PLACES	±	CHK'D: JPRUNEAU 2018/08/09					
3 PLACES	±	APPR: TOMSMITH 2018/08/13		MATERIAL NUMBER: SEE TABLE   CUSTOMER: GENERAL MARKET   SHEET NUMBER: 1 OF 1			
2 PLACES	± 0.10	INITIAL REVISION:					
1 PLACE	± 0.3	DRWN: DHEMNANI 2007/04/12		THIRD ANGLE PROJECTION			
0 PLACES	±	APPR: BMOSEY 2007/04/13					
DRAFT WHERE APPLICABLE MUST REMAIN WITHIN DIMENSIONS		THIRD ANGLE PROJECTION		DRAWING: C-SIZE   SERIES: 33468			



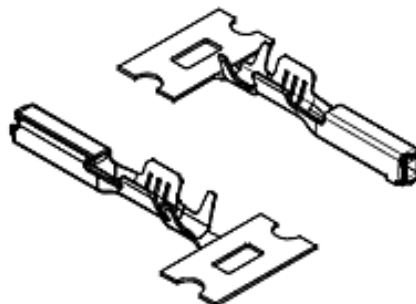
产品编号 : [334680004](#)

Product Description : 2.54mm Pitch MX64 Terminal, Tin (Sn) Plating, 18-20 AWG, Left Reel Payoff, Also used with MX123 Female Receptacle Housing

系列号 : 33468

状态 : Active

Product Category : Crimp Terminals



---

## 文件和资源

### 图纸

[图纸 334680004\\_sd.pdf](#)

[包装设计图 PK-30907-759-001.pdf](#)

[包装设计图 PK-31302-480-001.pdf](#)

### 规格

[应用规格 AS-33468-001-001.pdf](#)

[产品规格 PS-33468-001-001.pdf](#)

---

## 产物环境合规

### 合规

GADSL/IMDS	Compliant with Exemption 44; 33; 34
China RoHS	
EU ELV	Compliant per 2000/53/EC
Low-Halogen Status	Low-Halogen per IEC 61249-2-21
REACH SVHC	Not Contained per D(2023)3788-DC (14 Jun 2023)
EU RoHS	Compliant per EU 2015/863

### 多部分产品合规性声明

- Eu RoHS
- REACH SVHC
- Low-Halogen

### 多部分行业合规性文件

- IPC 1752A Class C
- IPC 1752A Class D

- Molex Product Compliance Declaration

- IEC-62474

- chemSHERPA (xml)

欧盟 RoHS 合格证书

---

## 产品详情

### 常规

状态	活动
类别	Crimp Terminals
系列	33468
说明	2.54mm Pitch MX64 Terminal, Tin (Sn) Plating, 18-20 AWG, Left Reel Payoff, Also used with MX123 Female Receptacle Housing
应用	Automotive, Power, Wire-to-Board, Wire-to-Wire
个评论	Left Reel Payoff
产品系列	MX64 Sealed Connectors
产品名称	MX123, MX64
UPC	822348347049

### 物理

性别	女
材料 - 金属	Copper
材料 - 接合部位电镀	Tin
材料 - 终端电镀	Tin
净重	0.220/g
包装形式	Reel
最薄镀层 - 接合部位	2.540µm
最薄镀层 - 端接	1.905µm
终端界面类型	Crimp or Compression
导线绝缘直径	1.50-2.06mm
线径规格 (AWG)	18, 20
线缆尺寸mm <sup>2</sup>	不适用

### 进程

无铅	不适用
----	-----

---

## 可连接使用部件

描述	产品编号
MX64 Sealed Single Row Receptacle Housings	<u>31403</u>
MX123 Receptacle Housings	<u>34566</u>
MX123 Female Receptacle Housings	<u>34576</u>

---

## 施工工具

### 全局

描述	产品编号
PremiumGrade Hand Crimp Tool for 2.54mm MX64 Terminals, 18-22 AWG	<u>0638114200</u>
Extraction Tool for SPOX, MX64, Ditto, MX150CE, Milli-Grid Terminals	<u>0638131400</u>
FineAdjust Applicator	<u>0638673000</u>

---