



产品编号 : 334710501

系列号 : 33471

Product Category : Connector Housings

Product Description : MX150 Mat-Sealed Female Connector Assembly, Single Row, 5 Circuits, Keying Option A, Black

状态 : Active

---

## 文件和资源

### 图纸

图纸 334710501\_sd.pdf

### 3D 模型和设计文件

3D模型 334710501\_stp.zip

### 规格

应用规格 AS-33472-100-001.pdf


应用规格 AS-33472-100-CH-001.pdf

应用规格 AS-33611-001-001.pdf

---

## 产物环境合规

### 合规

GADSL/IMDS	Duty-To-Declare
China RoHS	
EU ELV	Compliant per 2000/53/EC
Low-Halogen Status	Low-Halogen per IEC 61249-2-21
REACH SVHC	Not Contained per D(2023)8585-DC (23 Jan 2024)
EU RoHS	Compliant per EU 2015/863

### 多部分产品合规性声明

- Eu RoHS
- REACH SVHC
- Low-Halogen
  
- IPC 1752A Class C
- IPC 1752A Class D
- Molex Product Compliance Declaration
- IEC-62474

## 产品详情

### 常规

状态	活动
类别	Connector Housings
系列	33471
说明	MX150 Mat-Sealed Female Connector Assembly, Single Row, 5 Circuits, Keying Option A, Black
应用	Power, Wire-to-Wire
个评论	No Connector Position Assurance (CPA)
产品系列	MX150 Sealed and Unsealed Connector System
产品名称	MX150
UPC	756054494615

### 机构

UL	E29179
----	--------

### 物理

电路数 (最多)	5
颜色-树脂	黑色
性别	Receptacle
符合灼热丝规范	否
插接极性	是
锁定插接部位	是
材料 - 树脂	SPS/Nylon
净重	10.100/g
行数	1
包装形式	Partitioned Carton
面板安装式	否
间距 - 插配接口	3.50mm
有极性的插配件	是

可堆叠的	否
运行温度范围	-40° to +125° C

#### 进程

无铅	不适用
----	-----

---

#### 可配插/可连接使用的产品

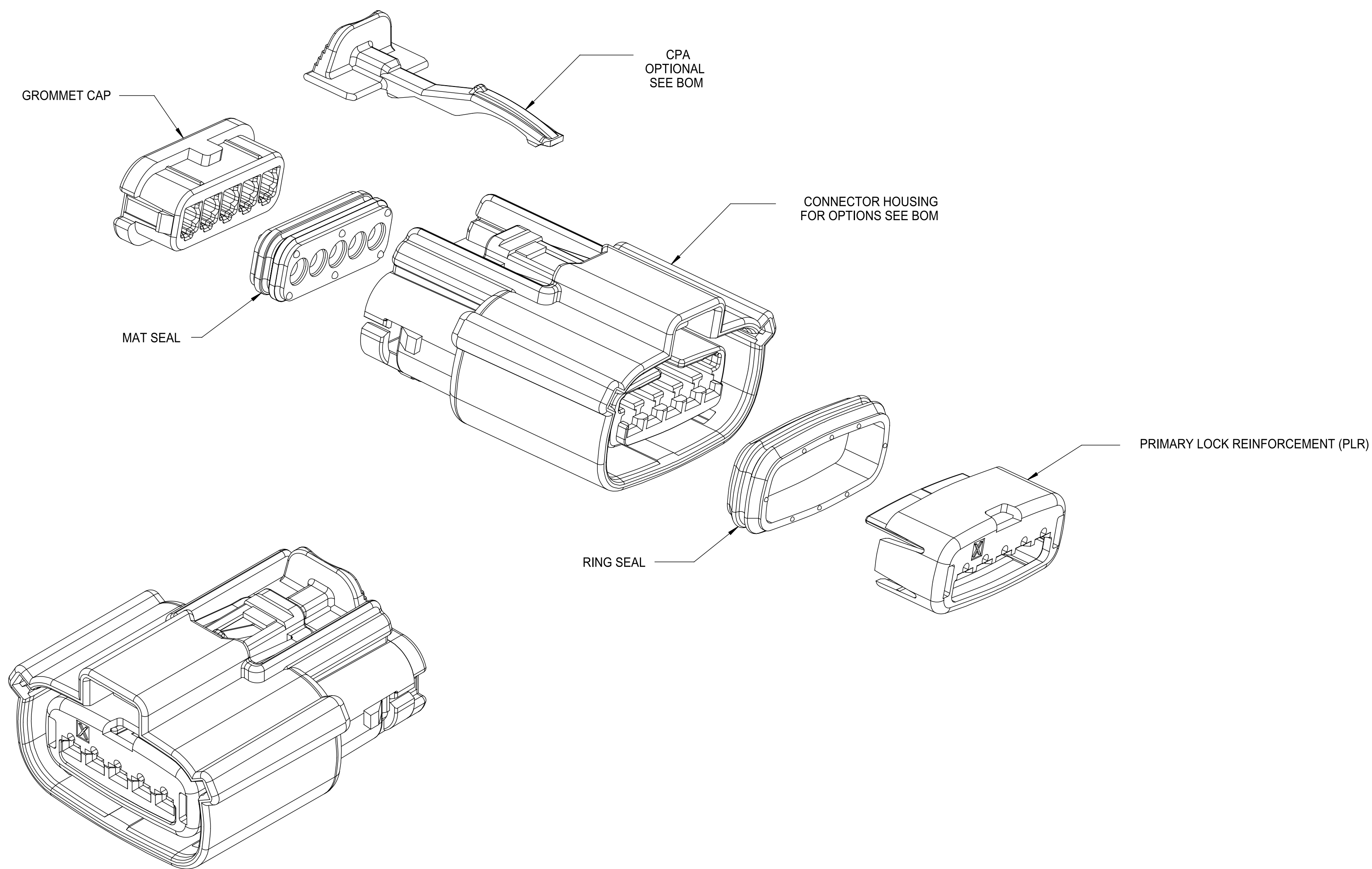
##### 可配插部件

描述	产品编号
MX150 Mat-Sealed Single Row Male Connector Assemblies	<u>33481</u>

##### 可连接使用部件

描述	产品编号
MX150 Sealed Receptacle Cavity Plug	<u><a href="/content/molex/molex-dot-com/cn/zh/products/product-page.html/343454001.html">/content/molex/molex-dot-com/cn/zh/products/product-page.html/343454001.html</a></u>
MX150 Female Terminals	<u>33001</u>
MX150 Female Terminals	<u>33012</u>

TABLE OF CONTENTS	
SHEET NO.	SHEET DESCRIPTION
1	NOTES
2	KEY CONFIGURATIONS
3	RECEPTACLE SEALED ASSEMBLY
4	BOM



NOTES: VALID UNLESS OTHERWISE SPECIFIED

1. GENERAL:
- a. APPLICATION SPECIFICATION SEE: AS-33472-100
- CONTAINS: PRODUCT INTRODUCTION, PRODUCT SUMMARY, CONNECTOR ASSEMBLY, PACKAGING INFORMATION, CONNECTOR MATING, SERVICE INSTRUCTIONS, ELECTRICAL CONTINUITY CHECKING, CRIMPING, AND TROUBLESHOOTING.
  - DESIGNED TO MATE WITH DEVICE CONNECTION AS SPECIFIED IN DRAWING EWCAP 150-S-005-1-Z03, AVAILABLE AT <http://ewcap.uscarteams.org/>.
  - FOR 1.5mm RECEPTACLE TERMINALS TO BE USED WITH THIS ASSEMBLY. SEE MOLEX DRAWING SD-33012-002.
  - SYSTEM TO BE USED WITH WIRE WITHIN DIAMETER RANGE OF 1.2mm TO 2.69mm.
  - ASSEMBLY SHIPPED WITH PLR AND CPA IN PRE-LOCK POSITION (SEE SECTION Z-Z PRE-LOCK).
  - IN THE EVENT THAT THE PLR IS FOUND IN THE SEATED (FINAL LOCK) POSITION, REFER TO MOLEX SPECIFICATION PS-34646-001, AVAILABLE AT www.molex.com <http://www.molex.com>.
  - ASSEMBLY CONFORMS TO SAE/USCAR-2 REV.4 WITH THE FOLLOWING EXCEPTIONS: ENGAGEMENT FORCE TO MOVE CPA FROM PRE-LOCK TO FINAL LOCK POSITION WHEN UNMATED: 40N MIN. DISENGAGEMENT FORCE TO MOVE CPA FROM FINAL LOCK TO PRE-LOCK POSITION: 3N MIN, 40N MAX. TERMINAL INSERTION FORCE FOR WIRE DIAMETER ABOVE 2.5mm NOT EXCEEDING 2.69mm SHALL NOT EXCEED 40 NEWTONS.
- b. PRODUCT SPECIFICATION SEE: PS-33471-000
- CONTAINS: PRODUCT INTRODUCTION, PRODUCT SUMMARY, RATINGS (CURRENT, TEMPERATURE, SEALING, AND FLAMMABILITY), AND PRODUCT VALIDATION.
- c. PACKAGING SPECIFICATION PER MOLEX DRAWING: PK-31300-903
- d. PARTS MUST BE IN COMPLIANCE TO MOLEX CHEMICAL SUBSTANCES FOR PRODUCTS AND PACKAGING SPECIFICATION: ES-40000-5016
- e. DATA MUST BE SUBMITTED UNDER THE MOLEX PART NUMBER TO IMDS (COMPANY ID#13255)
2. DESIGN - MATERIALS:
- a. SEE BOM TABLE
3. DESIGN - GEOMETRY:
- a. THIS IS A 100% CAD GENERATED PART. THE CAD MATHEMATICAL DATA IS THE MASTER FOR THIS PART. FOR DIMENSIONAL OR ANY INFORMATION NOT SHOWN ON THIS DRAWING, ANALYZE THE CAD MODEL.
- b. GEOMETRIC DIMENSIONS AND TOLERANCES PER ASME Y14.5M - 1994
- c. EDGES AND UNDIMENSIONED DETAILS PER ISO13715
- d. CORNERS SHOWN AS SHARP TO BE R 0.2 MAX.
- e. LETTERING SHALL BE 0.15 MAX RAISED IN 0.25 MAX RECESS PAD. THIS INCLUDES RECYCLING CODE, CAVITY ID, VENDOR IDENTIFICATION, AND CUSTOMER MATERIAL NUMBER.
- f. VISUAL DEFECTS SHALL MEET COSMETIC STANDARD PS-45499-002 (Class B)
- g. LASER MARKING: TBD

M10	UPDATED ALL KEY B PRODUCTS' STATUS TO "SALEABLE"
M9	UPDATED NOTE 1a
M8	UPDATED THE DRAWING FRAME
M7	ADD NEW P/N 33471-0542
M6	CHANGE THE STATUS TO SALEABLE FROM TOOLED BUT NOT VALIDATED FOR DK GREY AND ST GREY
M5	UPDATE 33471-0503 33471-0504 33471-0508 33471-0509 PRODUCTION STATUS
M4	UPDATED SHEET 3 NOMENCLATURE
M3	UPDATED PACKAGING DIMENSIONS
M2	UPDATED COMPONENT BOM
M1	UPDATED WIRE DIAMETER RANGE
M	UPDATED NOTE 1c
L	UPDATE PER PRODUCTION DESIGN
REV	DESCRIPTION

INSPECTION BALLOON NUMBER LOG

PER DRAWING REVISION: M3

LAST BALLOON NUMBER USED: 4

ADDED BALLOON NUMBERS: 1a, 2a

REMOVED BALLOON NUMBERS:

FUNCTIONAL SYMBOLS $\frac{F}{A} = 0$ $\frac{F}{C} = 0$ $\frac{F}{P} = 0$	DIMENSION UNITS <b>mm</b>	SCALE <b>3:1</b>	CURRENT REV DESC: Delete description of blade in note due to mated blade SD-33481-051 is obsolete		
	GENERAL TOLERANCES (UNLESS SPECIFIED)		STATUS: Production		
	ANGULAR TOL $\pm$ 3°		DRWN: Yu Chao Fu 2023-05-25 CHK'D: Yann Chen 2023-06-09 APPR: Katy Boruszewski 2023-06-12		
	4 PLACES $\pm$		DRAFT WHERE APPLICABLE MUST REMAIN WITHIN DIMENSIONS		
DIVISIONAL SYMBOLS 3 PLACES $\pm$ 2 PLACES $\pm$ 0.100 1 PLACE $\pm$ 0.20 0 PLACES $\pm$	THIRD ANGLE PROJECTION 		DRAWING <b>D-SIZE</b>	SERIES <b>33471</b>	MATERIAL NUMBER <b>SEE BOM</b>
	THIS DRAWING CONTAINS INFORMATION THAT IS PROPRIETARY TO MOLEX ELECTRONIC TECHNOLOGIES, LLC AND SHOULD NOT BE USED WITHOUT WRITTEN PERMISSION		CUSTOMER <b>GENERAL MARKET</b>		
	DOCUMENT NUMBER <b>SD-33471-051</b>		DOC TYPE <b>PSD</b>	DOC PART <b>001</b>	REVISION <b>M10</b>
	SHEET NUMBER <b>1 OF 5</b>		SHEET NUMBER <b>1 OF 5</b>		

**molex**

MX150 1X5 RECEPTACLE SEALED ASSEMBLY MAT SEAL

PRODUCT SALES DRAWING

DOCUMENT NUMBER DOC TYPE DOC PART REVISION

SD-33471-051

PSD

001

M10

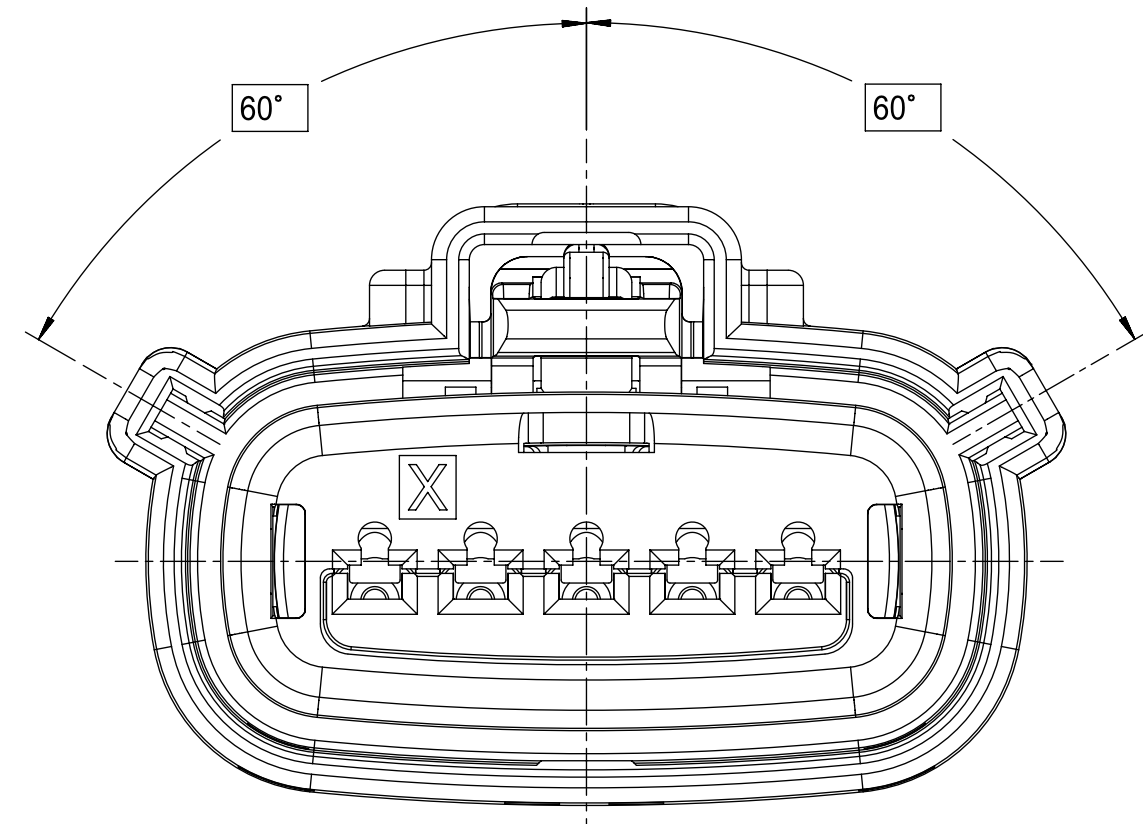
MATERIAL NUMBER CUSTOMER SHEET NUMBER

SEE BOM

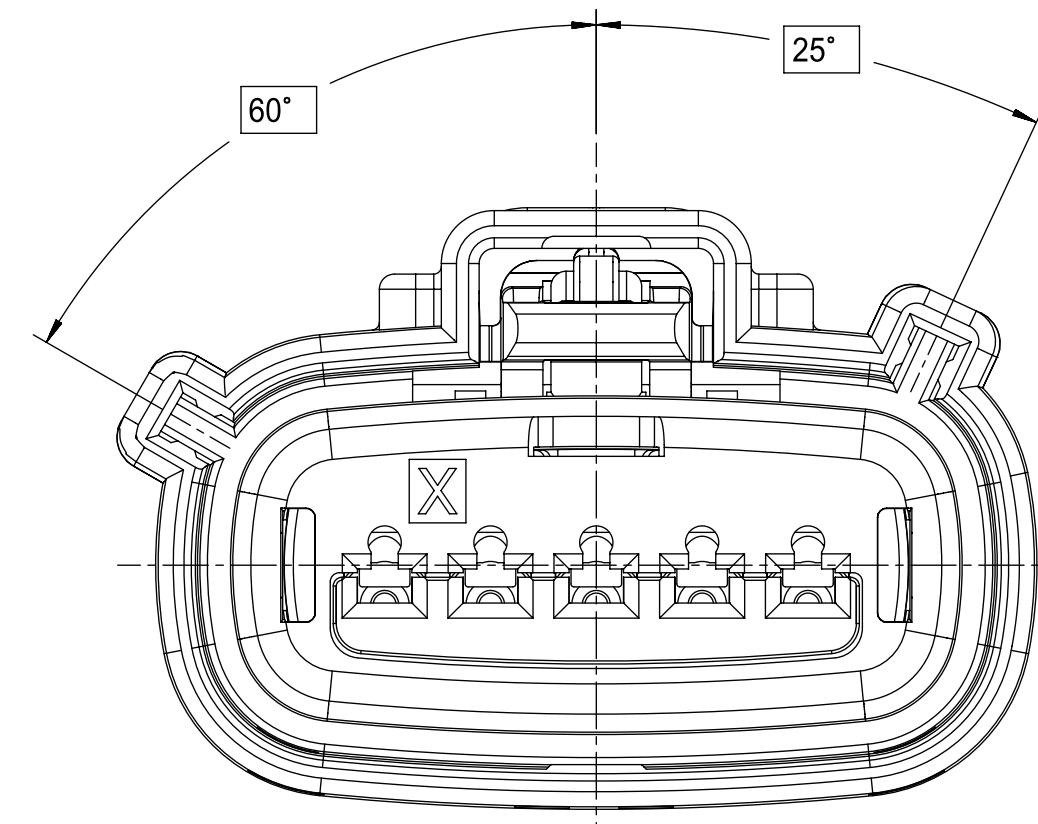
GENERAL MARKET

1 OF 5

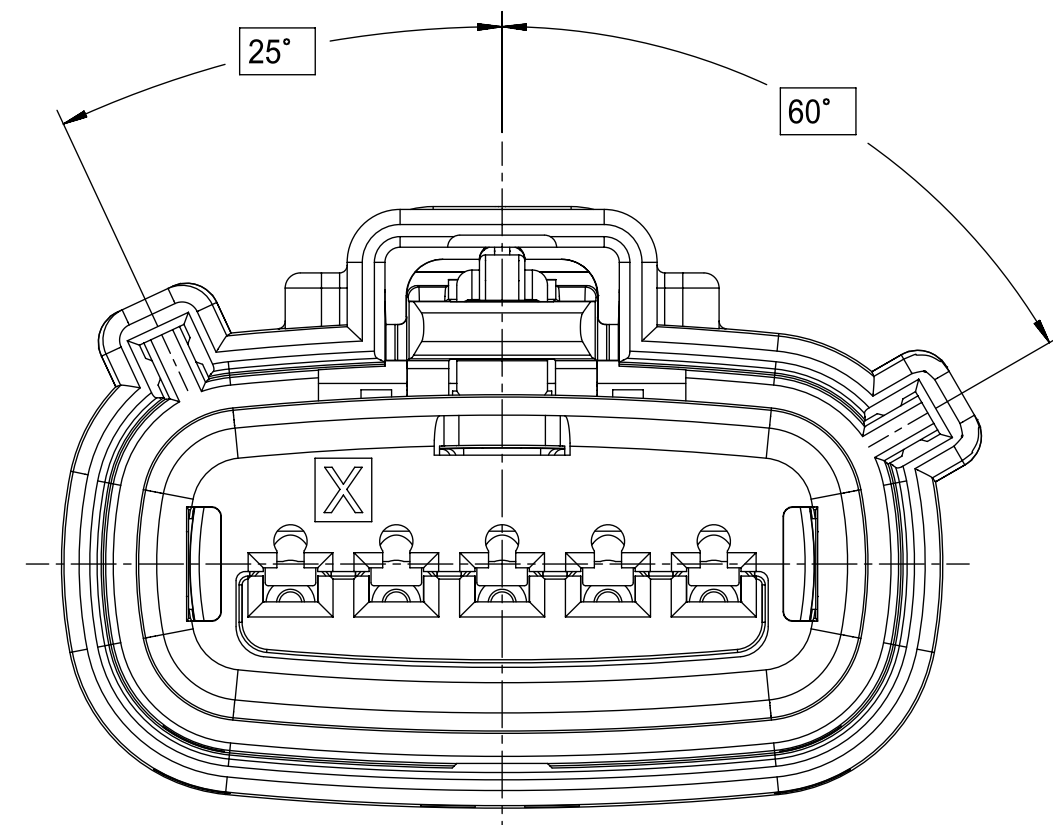
KEY CONFIGURATIONS



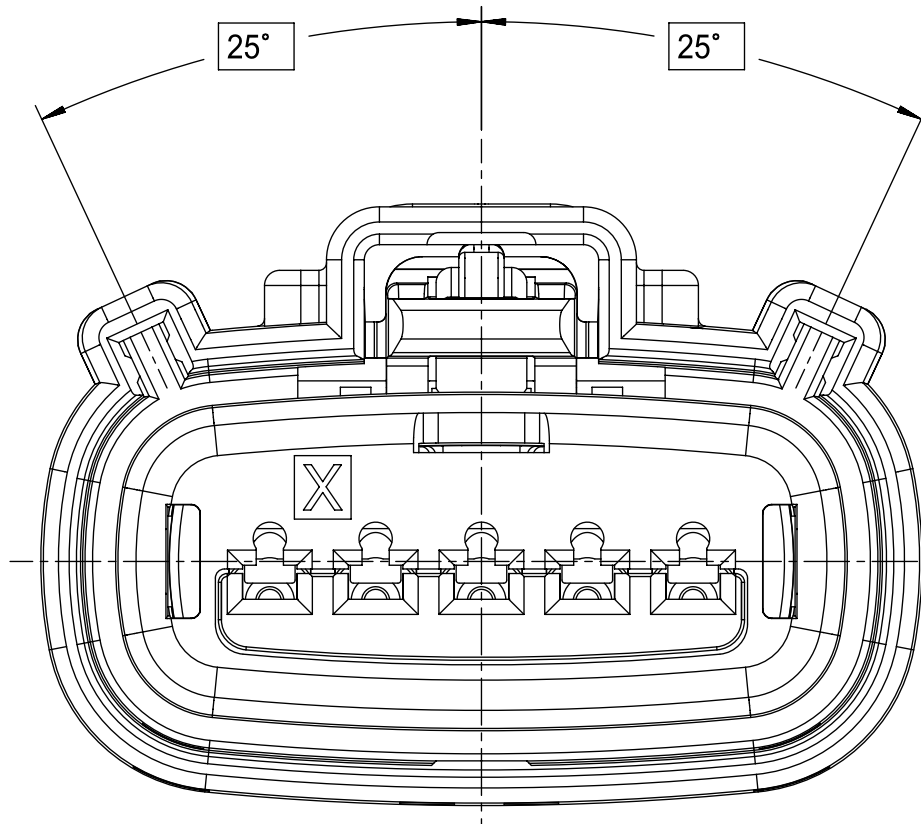
KEY A



KEY B



KEY C



KEY D

FUNCTIONAL SYMBOLS	THIS DRAWING CONTAINS INFORMATION THAT IS PROPRIETARY TO MOLEX ELECTRONIC TECHNOLOGIES, LLC AND SHOULD NOT BE USED WITHOUT WRITTEN PERMISSION		
	DIMENSION UNITS	SCALE	CURRENT REV DESC: Delete description of blade in note due to mated blade SD-33481-051 is obsolete
$\nabla_A = 0$	mm	4:1	STATUS: Production DRWN: Yu Chao Fu CHK'D: Yann Chen APPR: Katy Boruszewski 2023-05-25 2023-06-09 2023-06-12
$\nabla_C = 0$	GENERAL TOLERANCES (UNLESS SPECIFIED)		
$\nabla_D = 0$	ANGULAR TOL $\pm$ 3°		
DIVISIONAL SYMBOLS	4 PLACES	$\pm$	
	3 PLACES	$\pm$	
	2 PLACES	$\pm$ 0.100	2023-05-25 2023-06-09 2023-06-12
	1 PLACE	$\pm$ 0.20	
	0 PLACES	$\pm$	
DRAFT WHERE APPLICABLE MUST REMAIN WITHIN DIMENSIONS		THIRD ANGLE PROJECTION	DRAWING
			D-SIZE
		SERIES	33471
		MATERIAL NUMBER	SEE BOM
		CUSTOMER	GENERAL MARKET
		DOCUMENT NUMBER	SD-33471-051
		DOC TYPE	PSD
		DOC PART	001
		REVISION	M10
		SHEET NUMBER	2 OF 5

**molex**

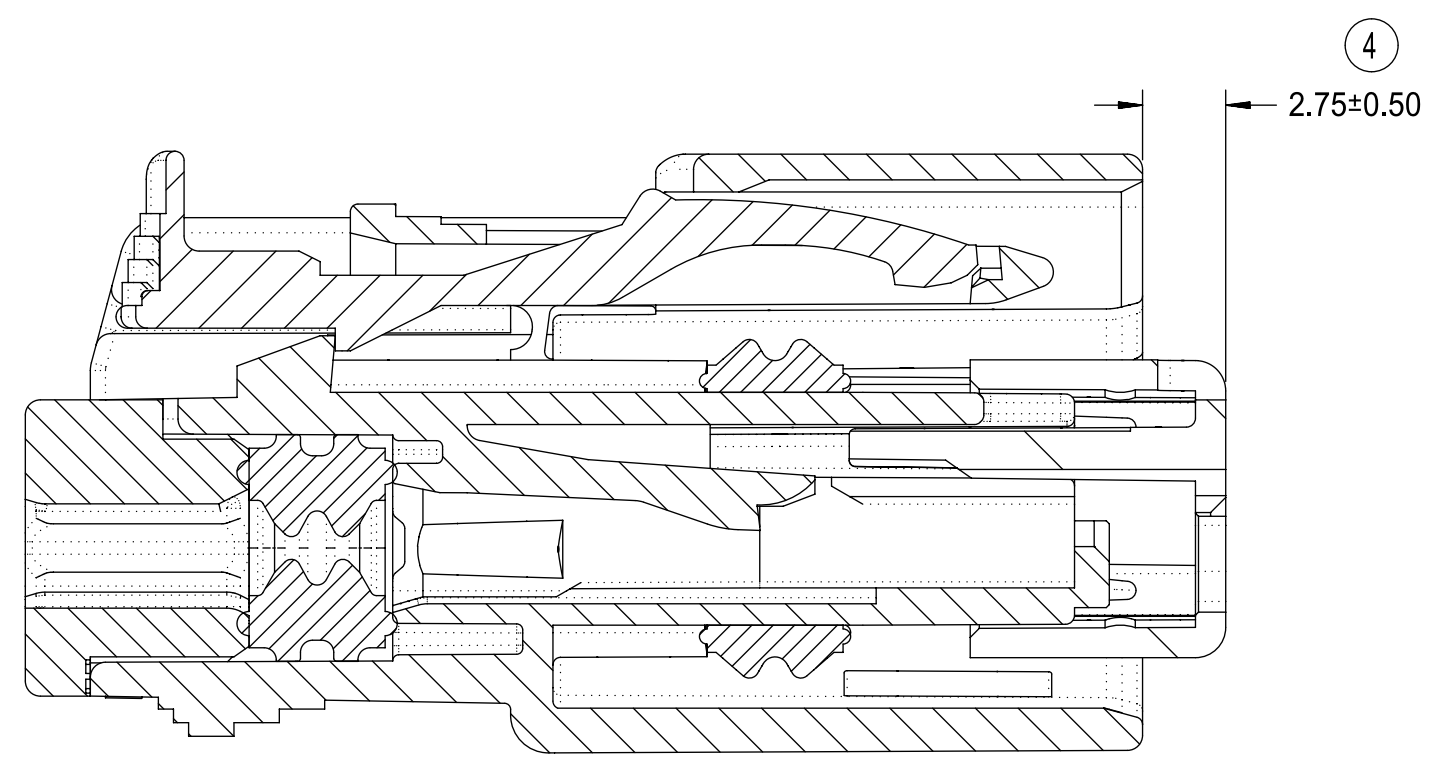
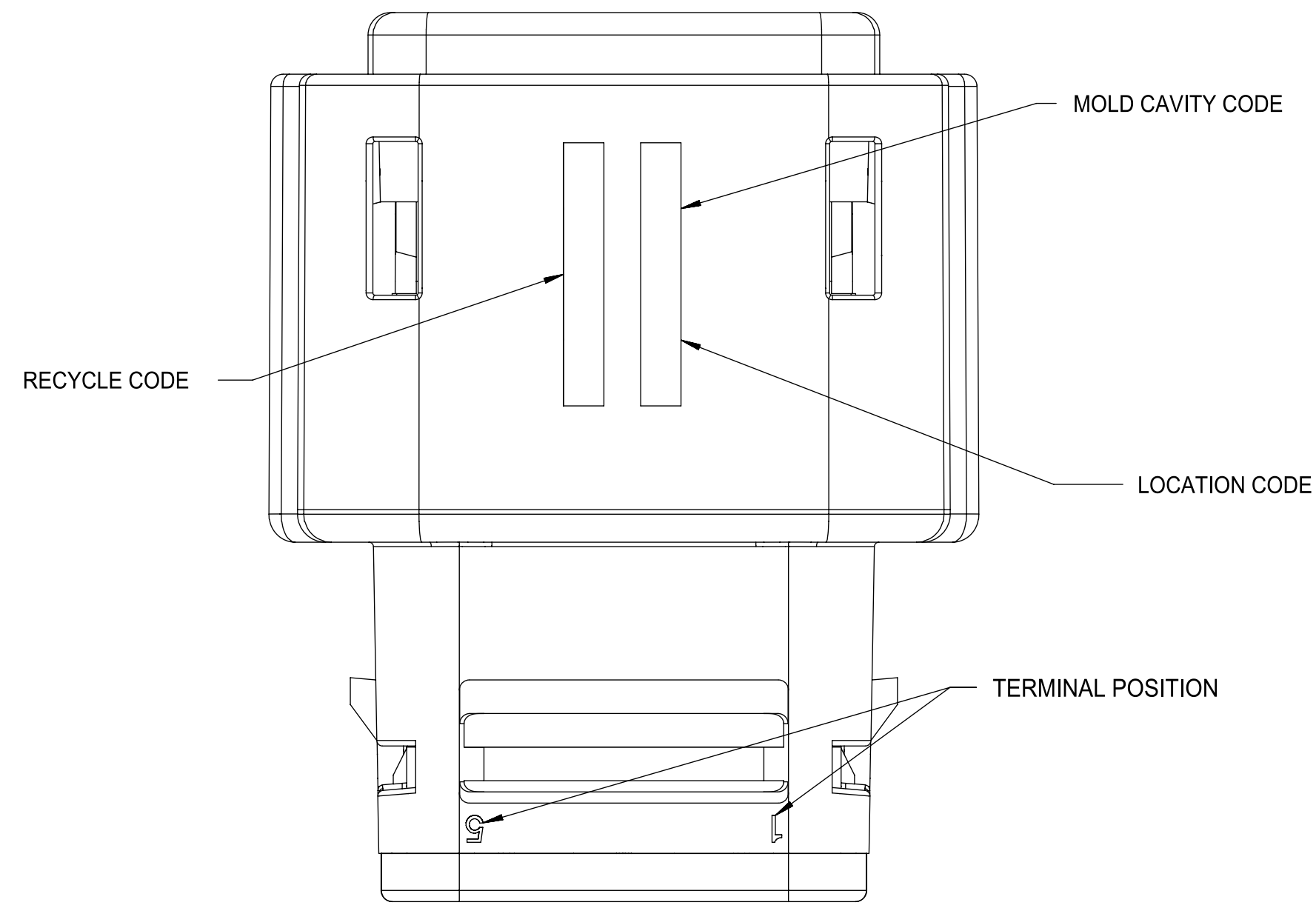
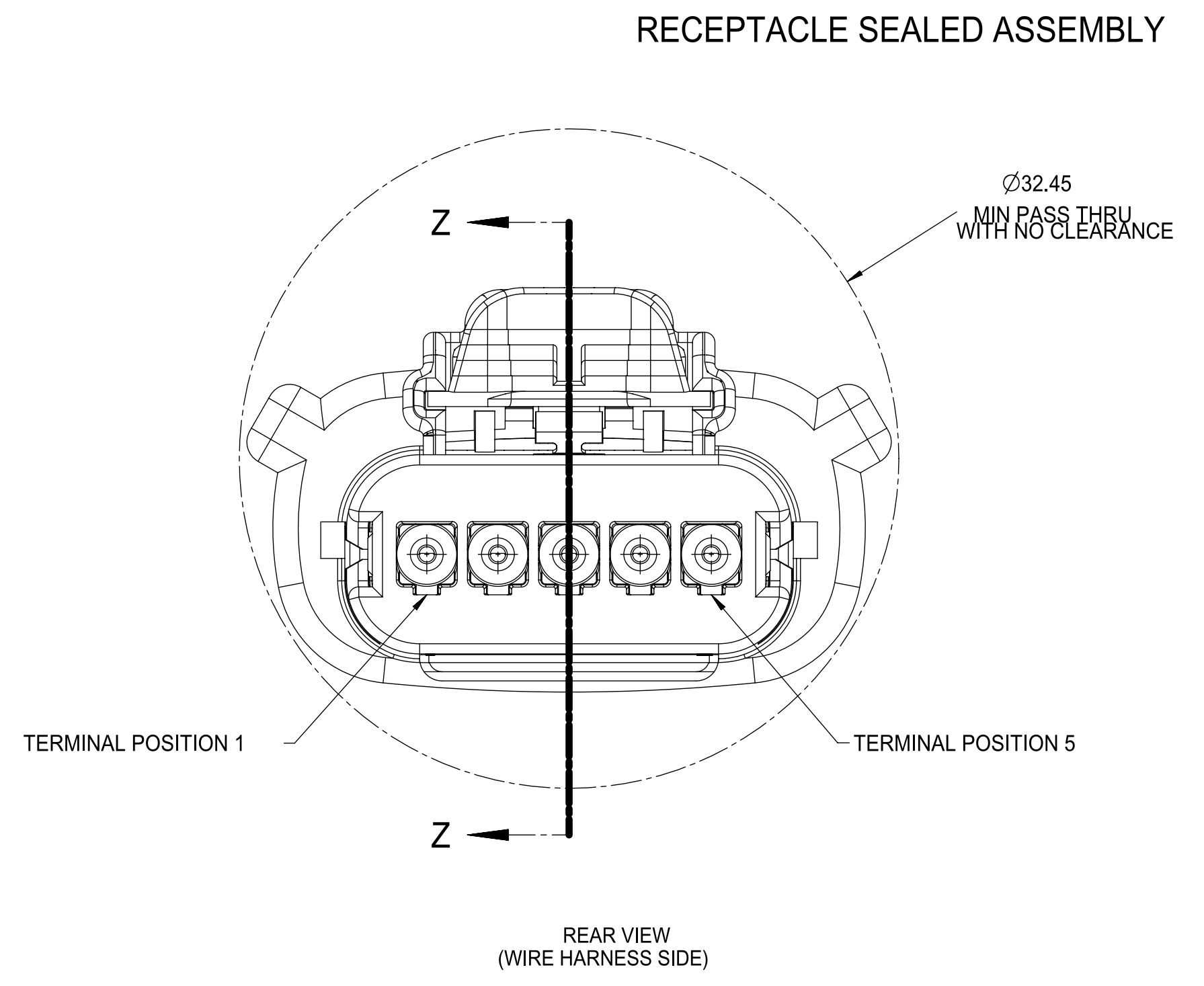
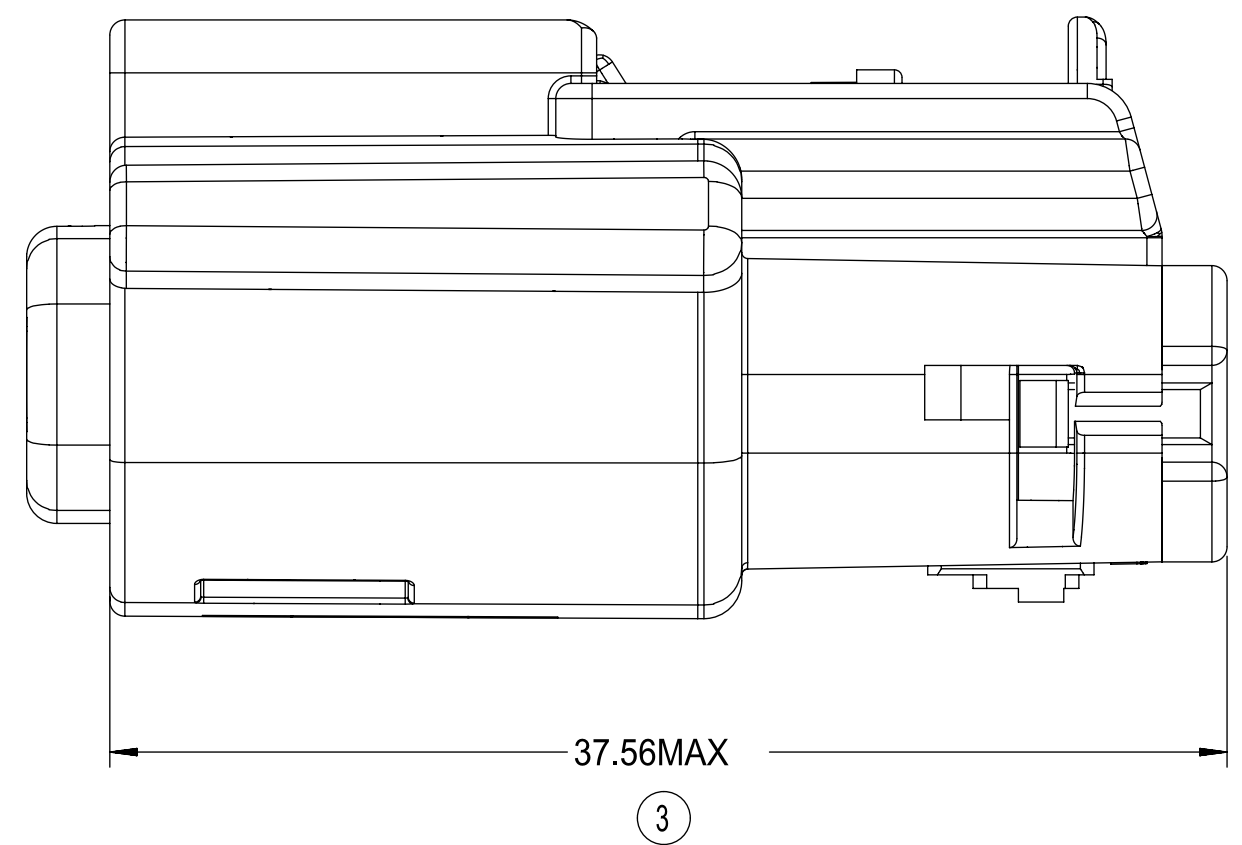
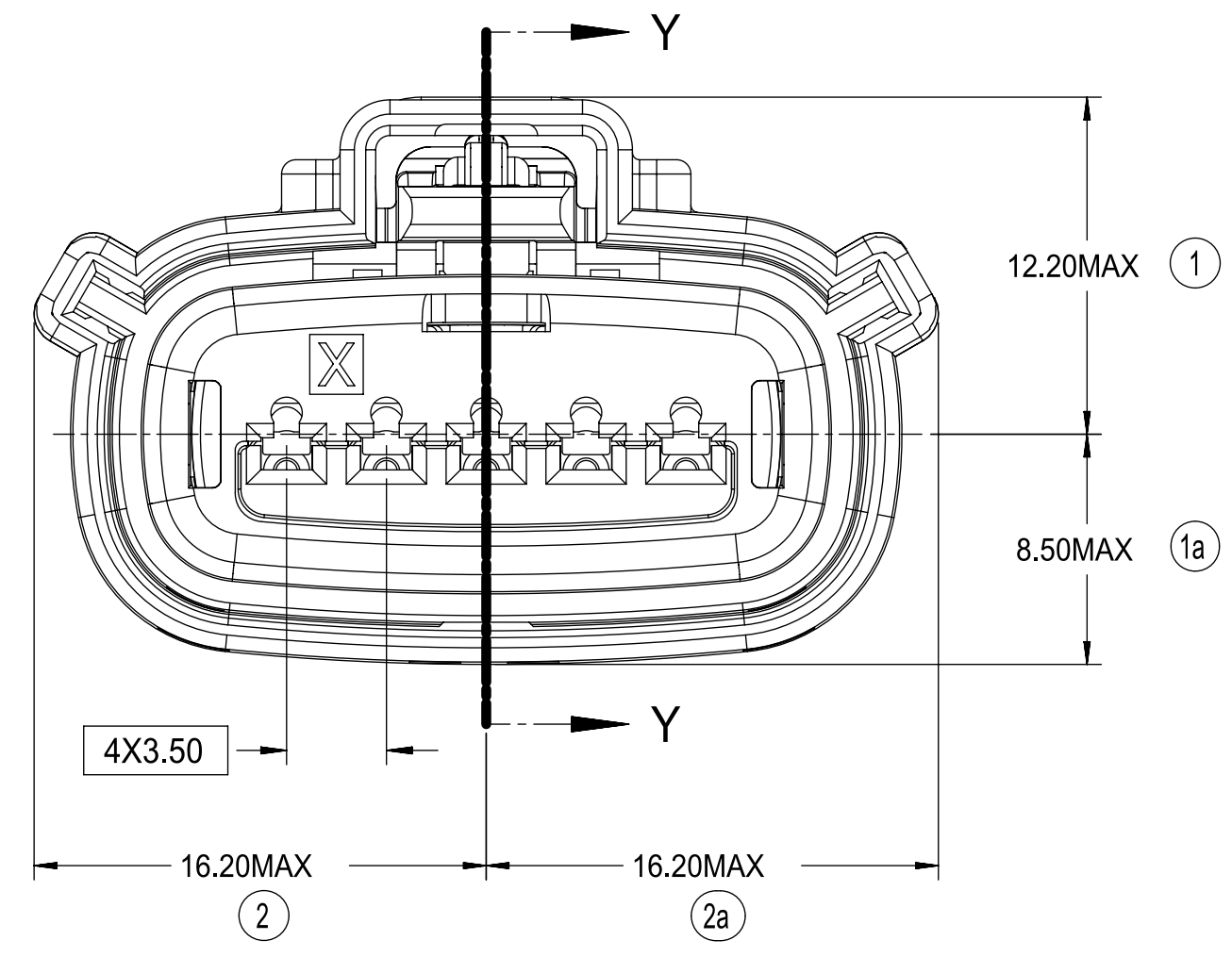
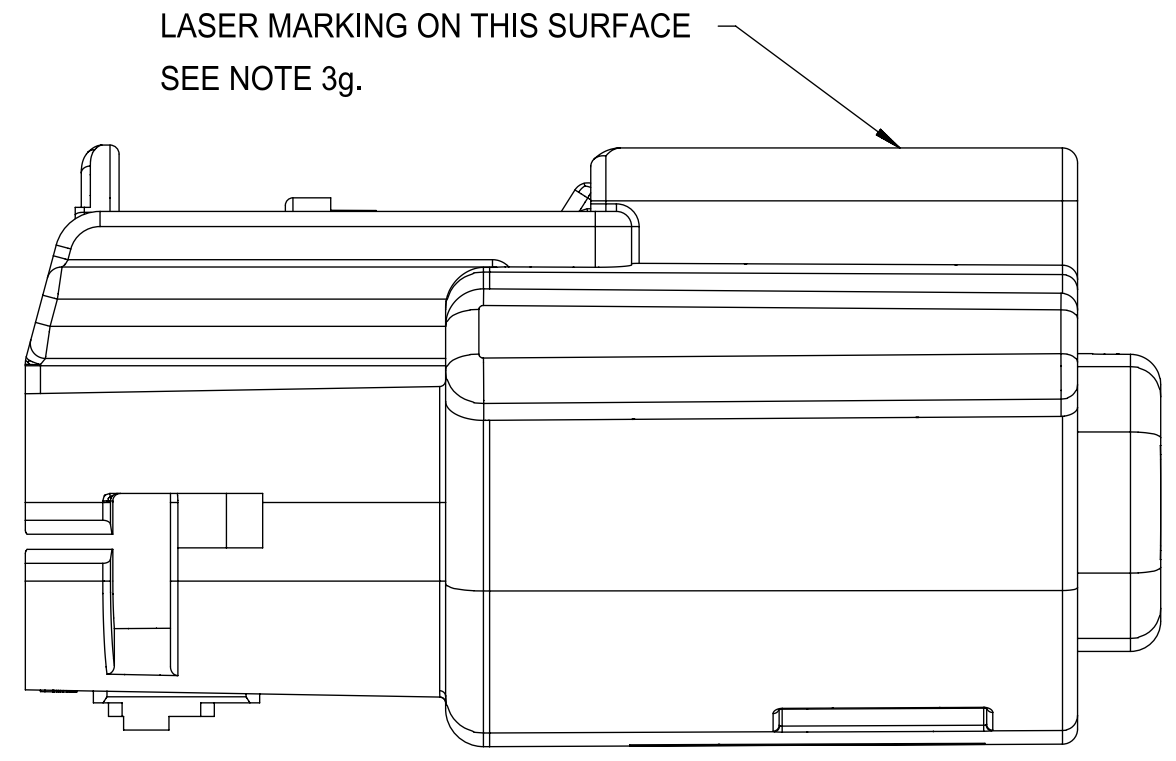
MX150 1X5 RECEPTACLE  
SEALED ASSEMBLY MAT SEAL

PRODUCT SALES DRAWING

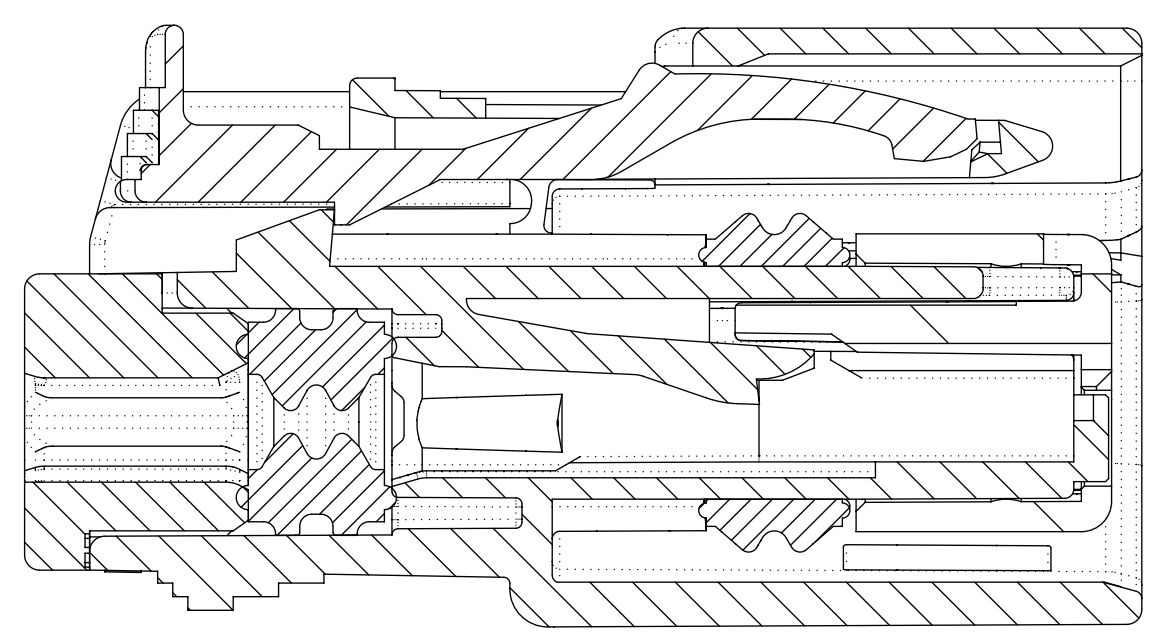
2023-05-25  
2023-06-09  
2023-06-12

SD-33471-051 PSD 001 M10

SEE BOM GENERAL MARKET 2 OF 5



PRIMARY LOCK REINFORCEMENT (PLR) SHOWN  
IN PRE-STAGED POSITION  
SECTION Z-Z



PRIMARY LOCK REINFORCEMENT (PLR) SHOWN  
IN FINAL-LOCK POSITION  
SECTION Y-Y

FUNCTIONAL SYMBOLS $F_A = 0$ $F_C = 0$ $F_D = 0$ DIVISIONAL SYMBOLS	THIS DRAWING CONTAINS INFORMATION THAT IS PROPRIETARY TO MOLEX ELECTRONIC TECHNOLOGIES, LLC AND SHOULD NOT BE USED WITHOUT WRITTEN PERMISSION		CURRENT REV DESC: Delete description of blade in note due to mated blade SD-33481-051 is obsolete	
	DIMENSION UNITS	SCALE		
	mm	4:1		
	GENERAL TOLERANCES (UNLESS SPECIFIED)			
	ANGULAR TOL	± 3'		
	4 PLACES	±		
3 PLACES	±			
2 PLACES	± 0.100	STATUS: Production		
1 PLACE	± 0.20	DRWN: Yu Chao Fu		
0 PLACES	±	CHK'D: Yann Chen		
DRAFT WHERE APPLICABLE MUST REMAIN WITHIN DIMENSIONS		THIRD ANGLE PROJECTION	DRAWING	SERIES
			D-SIZE	33471
		MATERIAL NUMBER	CUSTOMER	SHEET NUMBER
		SEE BOM	GENERAL MARKET	3 OF 5
		DOCUMENT NUMBER	DOC TYPE	DOC PART
		SD-33471-051	PSD	001
		REVISION		M10

**molex**

MX150 1X5 RECEPTACLE  
SEALED ASSEMBLY MAT SEAL

PRODUCT SALES DRAWING

2023-05-25  
2023-06-09  
2023-06-12

SD-33471-051 PSD 001 M10

SEE BOM GENERAL MARKET 3 OF 5

ASSEMBLY DESCRIPTION	ASSEMBLY PART NUMBER	A	B	C	D	C	D	GCO	GCP	CPA	1	2	3	4	5	STATUS	COMMENTS
KEY A W/ CPA, BLACK	33471-0541	A							GCP	CPA						SALEABLE	
KEY D W/ CPA, STONE GRAY	33471-0540							D	GCO	CPA						SALEABLE	
KEY C W/ CPA, DARK GRAY	33471-0539					C			GCO	CPA						SALEABLE	
KEY D, STONE GRAY	33471-0538							D	GCO							SALEABLE	
KEY C, DARK GRAY	33471-0537					C			GCO							SALEABLE	
KEY A W/ CPA, BLACK	33471-0536	A							GCP	CPA		2		4		SALEABLE	
VOID KEY	33471-0535																
KEY D, GREEN	33471-0534					D			GCP		1	2	3	4	5	OBSOLETE	
KEY C, BROWN	33471-0533					C			GCP		1	2	3	4	5	OBSOLETE	
KEY B, LIGHT GRAY	33471-0532		B						GCP		1	2	3	4	5	M10 SALEABLE	
KEY A, BLACK	33471-0531	A							GCP		1	2	3	4	5	SALEABLE	
VOID KEY	33471-0530																
KEY D W/ CPA, GREEN	33471-0529					D			GCP	CPA	1				5	OBSOLETE	
KEY C W/ CPA, BROWN	33471-0528					C			GCP	CPA	1				5	OBSOLETE	
KEY B W/ CPA, LIGHT GRAY	33471-0527		B						GCP	CPA	1				5	M10 SALEABLE	
KEY A W/ CPA, BLACK	33471-0526	A							GCP	CPA	1				5	SALEABLE	
VOID KEY	33471-0525																
KEY D, GREEN	33471-0524					D			GCP		1				5	OBSOLETE	
KEY C, BROWN	33471-0523					C			GCP		1				5	OBSOLETE	
KEY B, LIGHT GRAY	33471-0522		B						GCP		1				5	M10 SALEABLE	
KEY A, BLACK	33471-0521	A							GCP		1				5	SALEABLE	
VOID KEY	33471-0520																
KEY D W/ CPA, GREEN	33471-0519					D			GCP	CPA					5	OBSOLETE	
KEY C W/ CPA, BROWN	33471-0518					C			GCP	CPA					5	OBSOLETE	
KEY B W/ CPA, LIGHT GRAY	33471-0517		B						GCP	CPA					5	M10 SALEABLE	
KEY A W/ CPA, BLACK	33471-0516	A							GCP	CPA					5	SALEABLE	
VOID KEY	33471-0515																
KEY D, GREEN	33471-0514					D			GCP						5	OBSOLETE	
KEY C, BROWN	33471-0513					C			GCP						5	OBSOLETE	
KEY B, LIGHT GRAY	33471-0512		B						GCP						5	M10 SALEABLE	
KEY A, BLACK	33471-0511	A							GCP						5	SALEABLE	
VOID KEY	33471-0510																
KEY D W/ CPA, GREEN	33471-0509					D			GCO	CPA						NOT RECOMMENDED USE, PLEASE USE 33471-0540	
KEY C W/ CPA, BROWN	33471-0508					C			GCO	CPA						NOT RECOMMENDED USE, PLEASE USE 33471-0539	
KEY B W/ CPA, LIGHT GRAY	33471-0507		B						GCO	CPA						M10 SALEABLE	
KEY A W/ CPA, BLACK	33471-0506	A							GCO	CPA						SALEABLE	
VOID KEY	33471-0505																
KEY D, GREEN	33471-0504					D			GCO							NOT RECOMMENDED USE, PLEASE USE 33471-0538	
KEY C, BROWN	33471-0503					C			GCO							NOT RECOMMENDED USE, PLEASE USE 33471-0537	
KEY B, LIGHT GRAY	33471-0502		B						GCO							M10 SALEABLE	
KEY A, BLACK	33471-0501	A							GCO							SALEABLE	

DESCRIPTION	COLOR	MATERIAL
MAT SEAL	ROYAL BLUE	INHERENTLY LUBRICATED SILICONE
RING SEAL	ROYAL BLUE	INHERENTLY LUBRICATED SILICONE
PLR	NATURAL	SPS/NYLON GF20
CPA	RED	PBT GF30
GROMMET CAP (PLUGGED)	BLACK	SPS/NYLON GF20
GROMMET CAP (OPEN)	BLACK	SPS/NYLON GF20
HOUSING KEYING OPTION D	STONE GRAY	SPS/NYLON GF20
HOUSING KEYING OPTION C	DARK GRAY	SPS/NYLON GF20
HOUSING KEYING OPTION D	GREEN	SPS/NYLON GF20
HOUSING KEYING OPTION C	BROWN	SPS/NYLON GF20
HOUSING KEYING OPTION B	LIGHT GRAY	SPS/NYLON GF20
HOUSING KEYING OPTION A	BLACK	SPS/NYLON GF20

BOM/APPLICABLE COMPONENTS TABLE

### LEGEND TABLE

ABBREVIATION	COMPONENT
A	HOUSING KEY A
B	HOUSING KEY B
C	HOUSING KEY C
D	HOUSING KEY D
GCO	GROMMET CAP (OPEN)
GCP	GROMMET CAP (PLUGGED)
M	MAT SEAL
R	RING SEAL
P	PLR, STANDARD
CPA	CPA

<b>FUNCTIONAL SYMBOLS</b> FA = 0 FC = 0 FP = 0 <b>DIVISIONAL SYMBOLS</b>	THIS DRAWING CONTAINS INFORMATION THAT IS PROPRIETARY TO MOLEX ELECTRONIC TECHNOLOGIES, LLC AND SHOULD NOT BE USED WITHOUT WRITTEN PERMISSION		CURRENT REV DESC: Delete description of blade in note due to mated blade SD-33481-051 is obsolete	
	DIMENSION UNITS: <b>mm</b> SCALE: <b>2:1</b>	GENERAL TOLERANCES (UNLESS SPECIFIED) ANGULAR TOL ± 3°		
	4 PLACES ± 3 PLACES ± 2 PLACES ± 0.100 1 PLACE ± 0.20 0 PLACES ±	STATUS: Production DRWN: Yu Chao Fu CHK'D: Yann Chen APPR: Katy Boruszewski		
	DRAFT WHERE APPLICABLE MUST REMAIN WITHIN DIMENSIONS	THIRD ANGLE PROJECTION	DRAWING: <b>D-SIZE</b>	SERIES: <b>33471</b>

**MX150 1X5 RECEPTACLE SEALED ASSEMBLY MAT SEAL**

PRODUCT SALES DRAWING

DOCUMENT NUMBER	DOC TYPE	DOC PART	REVISION
<b>SD-33471-051</b>	<b>PSD</b>	<b>001</b>	<b>M10</b>

SHEET NUMBER: **4 OF 5**

