



产品编号 : [340800003](#)

Product Description : MX150 Cable Seal
Male Terminal, Tin Plating, 22 AWG, Right
Reel Payoff

系列号 : 34080

状态 : Active

Product Category : Crimp Terminals



文件和资源

图纸

[图纸 340800003_sd.pdf](#)

规格

[应用规格 AS-34080-001-001.pdf](#)

[产品规格 PS-34083-002-001.pdf](#)

[测试摘要 TS-34080-001-001.pdf](#)

产物环境合规

合规

GADSL/IMDS	Compliant with Exemption 44; 33
China RoHS	
EU ELV	Compliant per 2000/53/EC
Low-Halogen Status	Low-Halogen per IEC 61249-2-21
REACH SVHC	Not Contained per D(2023)3788-DC (14 Jun 2023)
EU RoHS	Compliant per EU 2015/863

多部分产品合规性声明

- Eu RoHS
- REACH SVHC
- Low-Halogen

多部分行业合规性文件

- IPC 1752A Class C
- IPC 1752A Class D
- Molex Product Compliance Declaration
- IEC-62474

产品详情

常规

状态	活动
类别	Crimp Terminals
系列	34080
说明	MX150 Cable Seal Male Terminal, Tin Plating, 22 AWG, Right Reel Payoff
应用	Power, Wire-to-Board, Wire-to-Wire
个评论	For automatic and semi-automatic crimping, use Left Reel Payoff terminals. See Sales Drawing for Left Reel Payoff Part Numbers.
产品系列	MX150 Sealed and Unsealed Connector System
产品名称	MX150
UPC	883906369194

电气

每触点最大电流	Contact Molex
电压 - 最大	14V DC

物理

性别	男
夹具代码	22
材料 - 金属	High Performance Alloy (HPA)
材料 - 接合部位电镀	Tin
材料 - 终端电镀	Tin
净重	0.363/g
包装形式	Reel
最薄镀层 - 接合部位	0.508µm
最薄镀层 - 端接	0.508µm
终端界面类型	Crimp or Compression

导线绝缘直径	1.70mm max.
线径规格 (AWG)	22
线缆尺寸mm ²	0.50

进程

无铅	不适用
----	-----

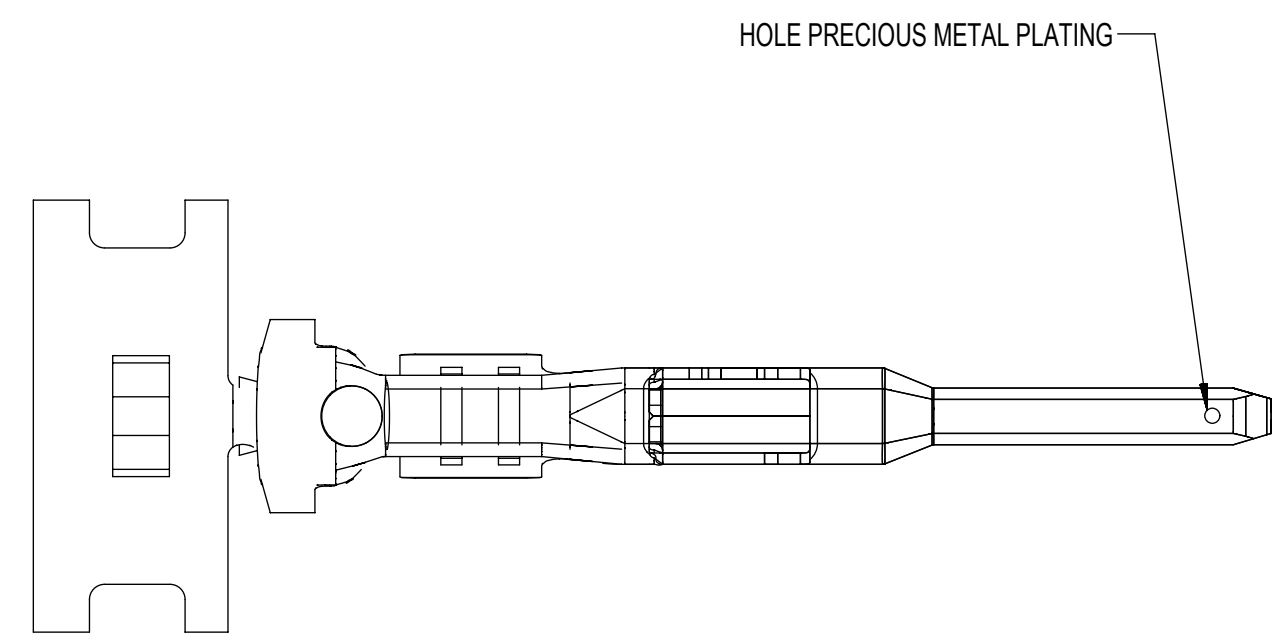
可连接使用部件

描述	产品编号
MX150 Cable-Sealed Single Row Male Connector Assemblies	<u>34091</u>
MX150 Cable-Sealed Male Connector Assemblies	<u>34675</u>

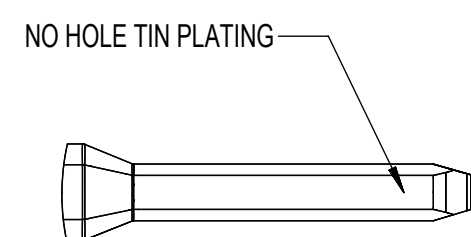
施工工具

全局

描述	产品编号
Hand Crimp Tool for Cable Seal Crimp Terminals	<u>0638199300</u>



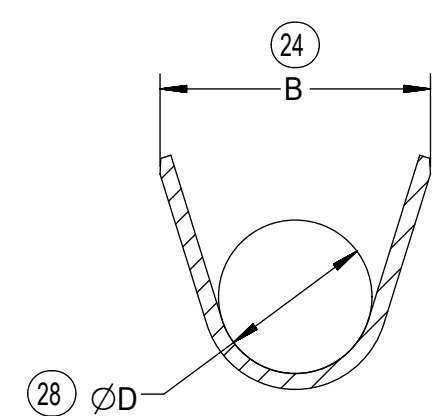
PRECIOUS METAL PLATED BLADE



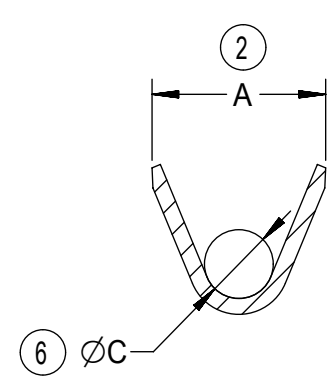
TIN PLATED BLADE

NOTES: (UNLESS OTHERWISE SPECIFIED)

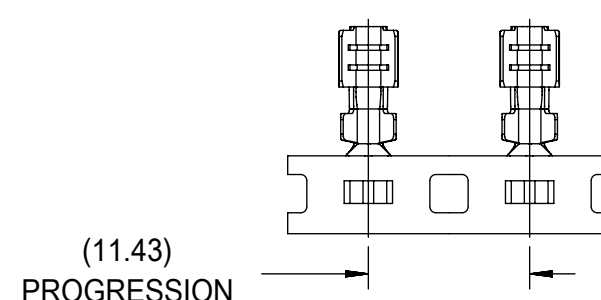
- MATING TERMINAL SHOWN ON SD-34083-002
- MATERIAL: ASTM B422, UNS C19025, HR04
THICKNESS: 0.30 mm ±0.01
TEMPER: FULL HARD (REF)
TENSILE: 496 MIN MPA
- TIN PLATED TERMINAL FINISH
OVERALL UNDERPLATE ELECTRODEPOSITED NICKEL
OVERALL ELECTRODEPOSITED REFLOW TIN
- GOLD PLATED TERMINAL FINISH
OVERALL UNDERPLATE ELECTRODEPOSITED DUCTILE SULFAMATE NICKEL
CONTACT AREA - ELECTRODEPOSITED GOLD
GRIP AREA - ELECTRODEPOSITED 100% TIN MATTE FINISH
- SILVER PLATED TERMINAL FINISH
OVERALL UNDERPLATE ELECTRODEPOSITED DUCTILE SULFAMATE NICKEL
CONTACT AREA - ELECTRODEPOSITED PURE SILVER (0.5% MAX IMPURITIES) SEMI-BRIGHT FINISH
- SILVER ANTITARNISH : EVABRITE
GRIP AREA - ELECTRODEPOSITED 100% TIN MATTE FINISH
- MEETS PERFORMANCE SPECIFICATION FOR CABLE TO TERMINAL ELECTRICAL CRIMPS PER SAE/USCAR-21 (2/2004)
- MEETS PERFORMANCE STANDARD FOR AUTOMOTIVE ELECTRICAL CONNECTOR SYSTEMS FOR SAE/USCAR-2, REV. 4 (TEMP CLASS 3) (5/2004)
- MEETS ELECTRICAL CONNECTION SYSTEM DESIGN SPECIFICATION (SDS) REV.15 (9/2007)
- MEETS FIELD CORRELATED LIFE TEST (FCLT) PER SAE/USCAR-20 (6/2004)
- REFERENCE FORD CAVITY SPECIFICATION 97BG-14421-ADA
- REFERENCE AS-34080-001 FOR CRIMP INFORMATION
- REFERENCE PK-31300-516 FOR REEL DIRECTION
- REFERENCE PS-34083-002 FOR PRODUCT SPECIFICATION



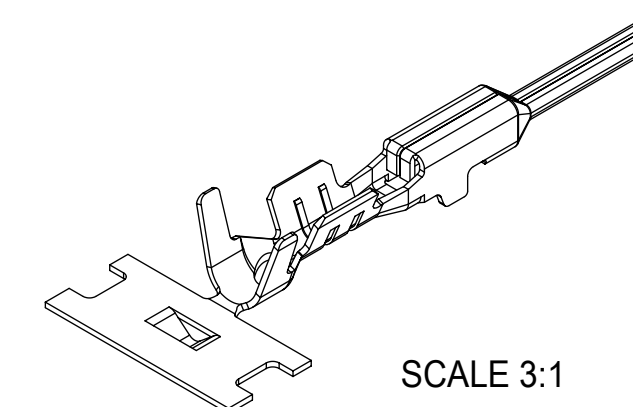
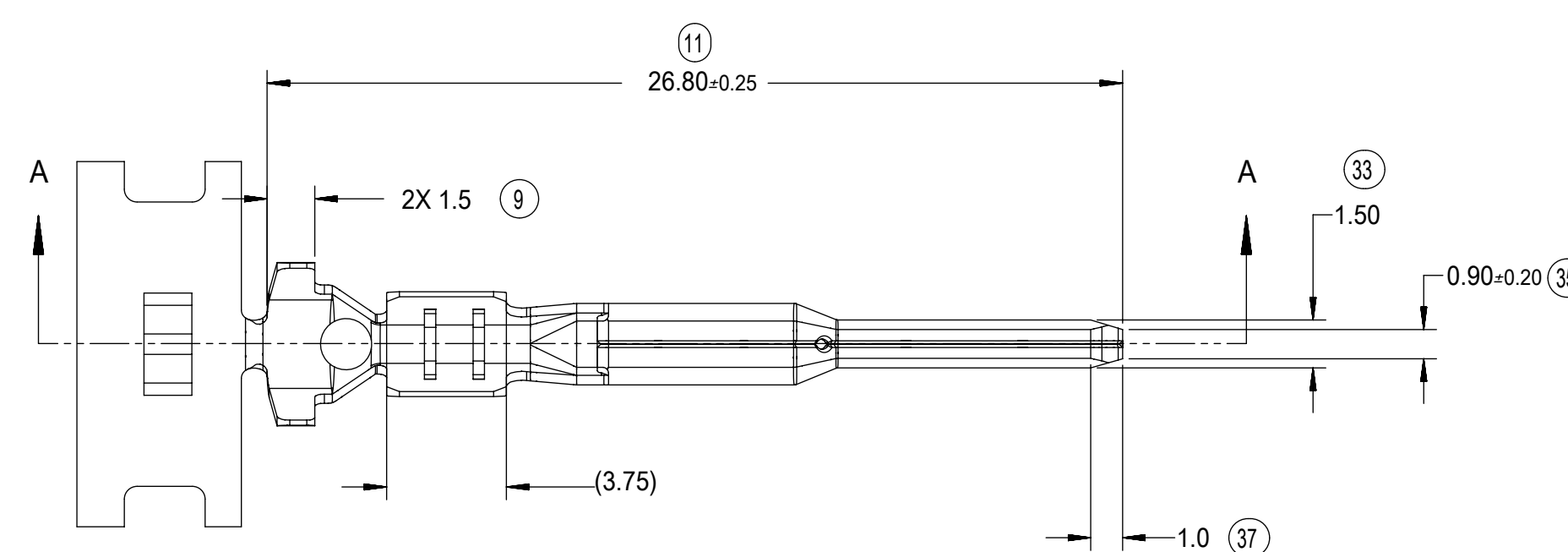
SECTION B-B
Scale 7:1



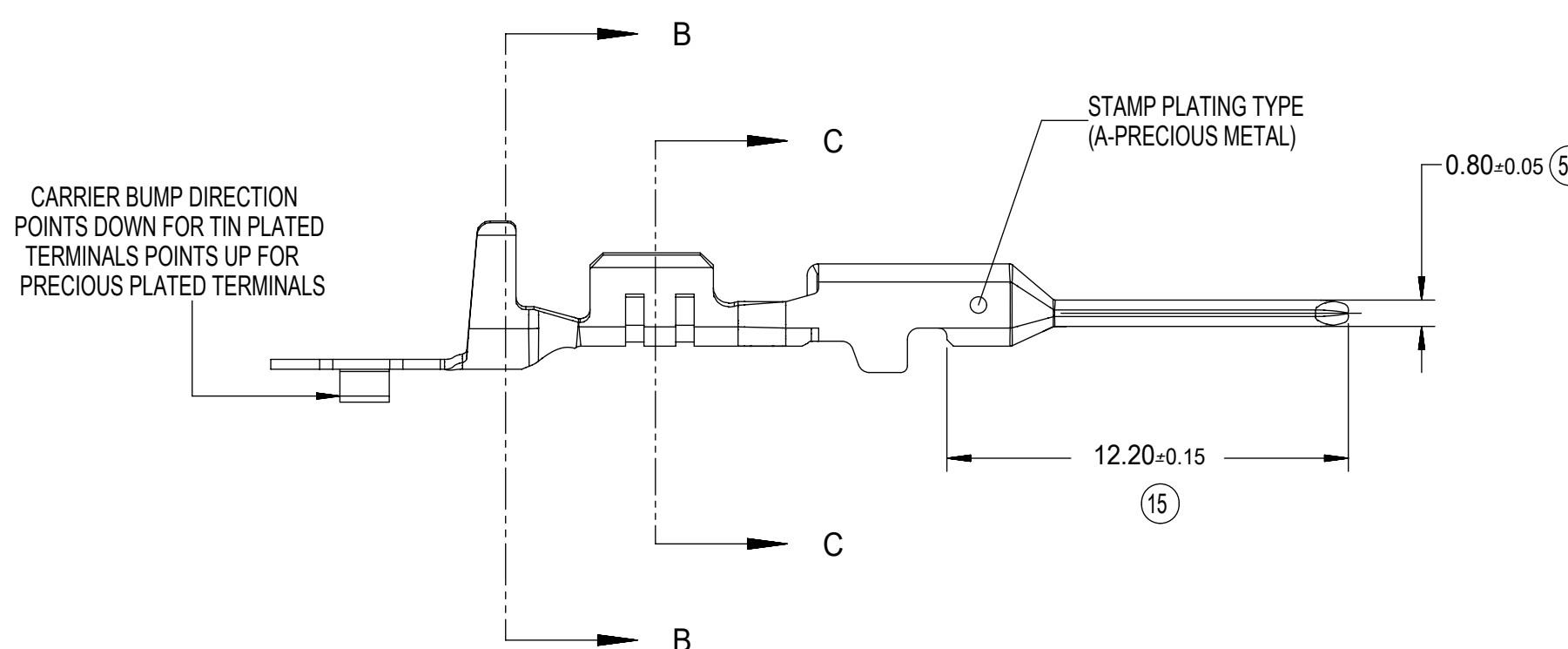
SECTION C-C
Scale 7:1



(11.43)
PROGRESSION



SCALE 3:1



SECTION A-A

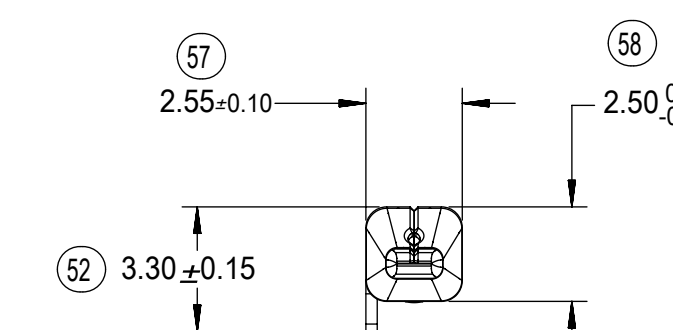


TABLE 1 - TERMINAL PART NUMBER AND DIMENSION REFERENCE

FAMILY	GENDER	SEALING	PLATING	PART NUMBER	PAYOFF DIRECTION	GRIP CODE	WIRE SIZES *	A ±0.3	B ±0.20	C ±0.3	D ±0.15	N ±0.10	SPECIAL CHARACTERISTICS
MX150	BLADE	WIRE SEAL	Sn	34080-0003	RIGHT (B)	22	22AWG 0.35-0.50mm	2.5	4.85	0.9	2.90	0.55	HIGH PERFORMANCE Sn
				34080-1003	LEFT (D)								
				34080-0002	RIGHT (B)	18	20/18AWG 0.75-1.00mm	3.3	5.00	1.3	2.90	0.70	
				34080-1002	LEFT (D)								
				34080-0001	RIGHT (B)	14	16/14AWG 1.50-2.00mm	3.6	5.00	1.7	2.90	0.90	
				34080-1001	LEFT (D)								
			Au	34080-0106	RIGHT (B)	22	22AWG 0.35-0.50mm	2.5	4.85	0.9	2.90	0.55	HIGH PERFORMANCE Au
				34080-1106	LEFT (D)								
				34080-0104	RIGHT (B)	18	20/18AWG 0.75-1.00mm	3.3	5.00	1.3	2.90	0.70	
				34080-1104	LEFT (D)								
				34080-0102	RIGHT (B)	14	16/14AWG 1.50-2.00mm	3.6	5.00	1.7	2.90	0.90	
				34080-1102	LEFT (D)								
Ag	34080-0206	RIGHT (B)	22	22AWG 0.35-0.50mm	2.5	4.85	0.9	2.90	0.55	HIGH PERFORMANCE Ag			
	34080-1206	LEFT (D)											
	34080-0204	RIGHT (B)	18	20/18AWG 0.75-1.00mm	3.3	5.00	1.3	2.90	0.70				
	34080-1204	LEFT (D)											
34080-0202	RIGHT (B)	14	16/14AWG 1.50-2.00mm	3.6	5.00	1.7	2.90	0.90					
34080-1202	LEFT (D)												

* SEE AS-34080-001 FOR SPECIFIC WIRE TYPES

SYMBOLS	THIS DRAWING CONTAINS INFORMATION THAT IS PROPRIETARY TO MOLEX ELECTRONIC TECHNOLOGIES, LLC AND SHOULD NOT BE USED WITHOUT WRITTEN PERMISSION		CURRENT REV DESC:		
	DIMENSION UNITS	SCALE			
▽ = 0	mm	5:1			MX 150 BLADE CABLE SEAL
▽ = 0	GENERAL TOLERANCES (UNLESS SPECIFIED)				
▽ = 0	ANGULAR TOL ± 3.0°				PRODUCT CUSTOMER DRAWING
▽ = 0	4 PLACES ±				
▽ = 0	3 PLACES ±				DOCUMENT NUMBER SD-34080-001
▽ = 0	2 PLACES ± 0.10				
▽ = 0	1 PLACE ± 0.3				DOC TYPE PSD
▽ = 0	0 PLACES ±				
□ = 0	DRAFT WHERE APPLICABLE MUST REMAIN WITHIN DIMENSIONS				DOC PART 001
▽ = 0	THIRD ANGLE PROJECTION				
▽ = 0	DRAWING				REVISION C3
▽ = 0	SERIES				
▽ = 0	D-SIZE				MATERIAL NUMBER SEE TABLE
▽ = 0	34080				
			CUSTOMER		SHEET NUMBER 1 OF 1
			GENERAL MARKET		