



产品编号：[340801002](#)

Product Description：MX150 Cable Seal  
Male Terminal, Tin Plating, 18 and 20 AWG,  
Left Reel Payoff

系列号：34080

状态：Active

Product Category：Crimp Terminals



---

## 文件和资源

### 图纸

[图纸 340801002\\_sd.pdf](#)

### 规格

[应用规格 AS-34080-001-001.pdf](#)

[产品规格 PS-34083-002-001.pdf](#)

[测试摘要 TS-34080-001-001.pdf](#)

---

## 产物环境合规

### 合规

GADSL/IMDS	Duty-To-Declare
China RoHS	Not Relevant
EU ELV	Compliant per 2000/53/EC
Low-Halogen Status	Not Relevant
REACH SVHC	Not Contained per D(2023)3788-DC (14 Jun 2023)
EU RoHS	Compliant per EU 2015/863

### 多部分产品合规性声明

- Eu RoHS
- REACH SVHC
- Low-Halogen

### 多部分行业合规性文件

- IPC 1752A Class C
- IPC 1752A Class D
- Molex Product Compliance Declaration
- IEC-62474

## 产品详情

### 常规

状态	活动
类别	Crimp Terminals
系列	34080
说明	MX150 Cable Seal Male Terminal, Tin Plating, 18 and 20 AWG, Left Reel Payoff
应用	Power, Wire-to-Board, Wire-to-Wire
个评论	Left Reel Payoff
产品系列	MX150 Sealed and Unsealed Connector System
产品名称	MX150
UPC	883906369316

### 电气

每触点最大电流	Contact Molex
电压 - 最大	14V DC

### 物理

性别	男
夹具代码	18
材料 - 金属	High Performance Alloy (HPA)
材料 - 接合部位电镀	Tin
材料 - 终端电镀	Tin
净重	0.363/g
包装形式	Reel
最薄镀层 - 接合部位	0.508µm
最薄镀层 - 端接	0.508µm
终端界面类型	Crimp or Compression
导线绝缘直径	2.54mm max.
线径规格 (AWG)	18, 20

线缆尺寸mm <sup>2</sup>	0.75-1.00
---------------------	-----------

## 进程

无铅	不适用
----	-----

---

## 可连接使用部件

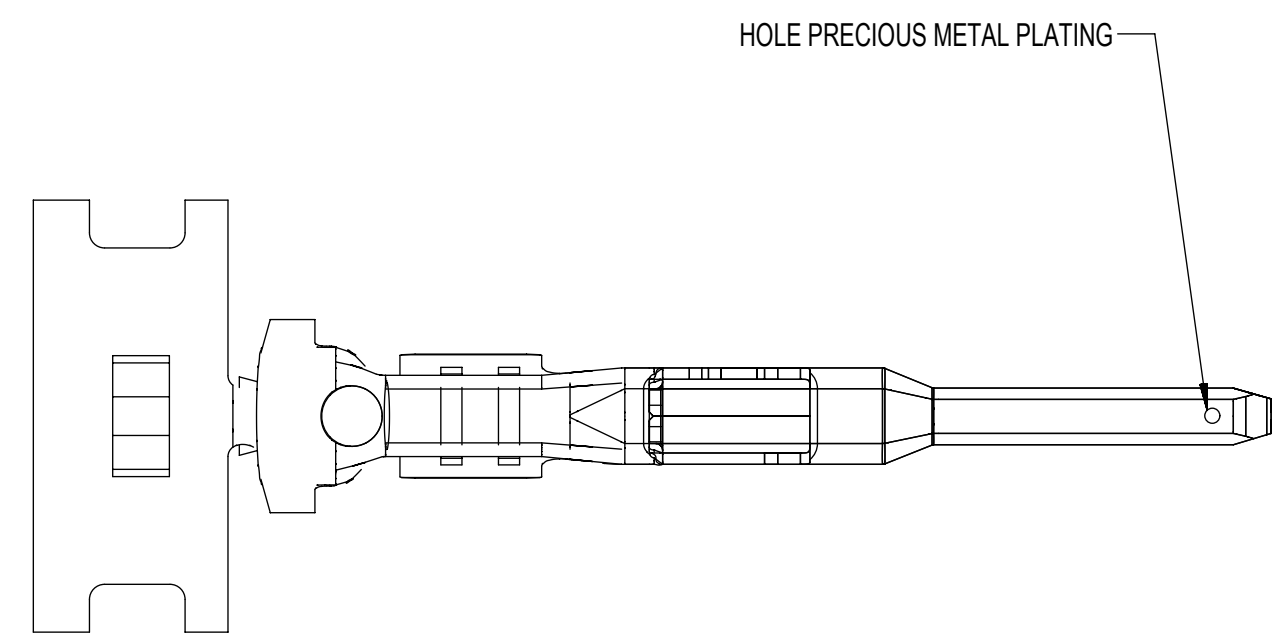
描述	产品编号
MX150 Cable-Sealed Single Row Male Connector Assemblies	<u>34091</u>
MX150 Cable-Sealed Male Connector Assemblies	<u>34675</u>

---

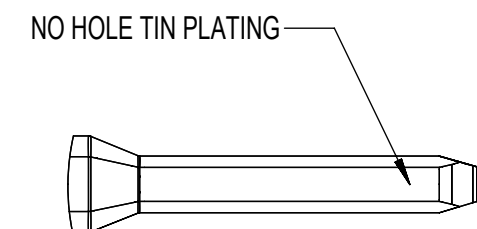
## 施工工具

### 全局

描述	产品编号
Hand Crimp Tool for Cable Seal Crimp Terminals	<u>0638199200</u>
FineAdjust Applicator for Cable Seal Crimp Terminals	<u>0639017300</u>



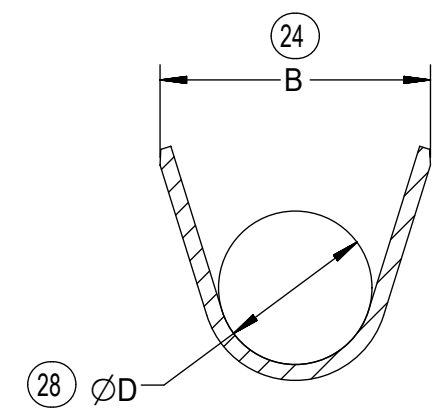
PRECIOUS METAL PLATED BLADE



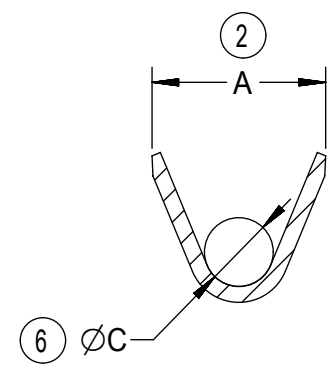
TIN PLATED BLADE

NOTES: (UNLESS OTHERWISE SPECIFIED)

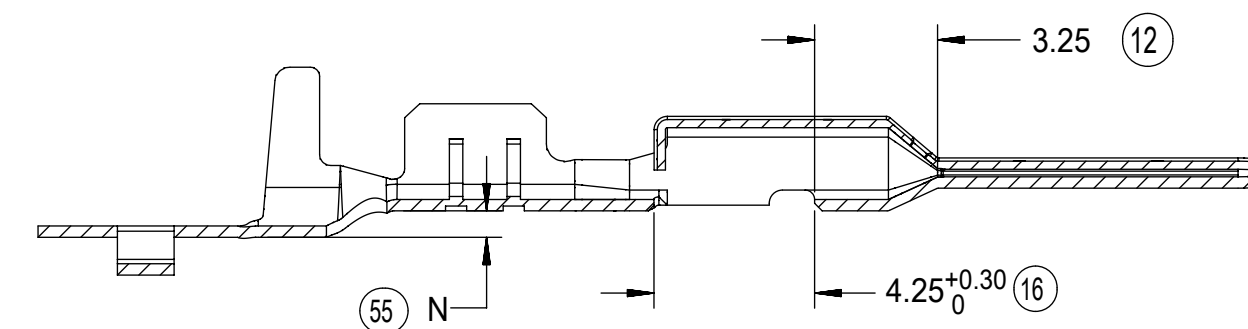
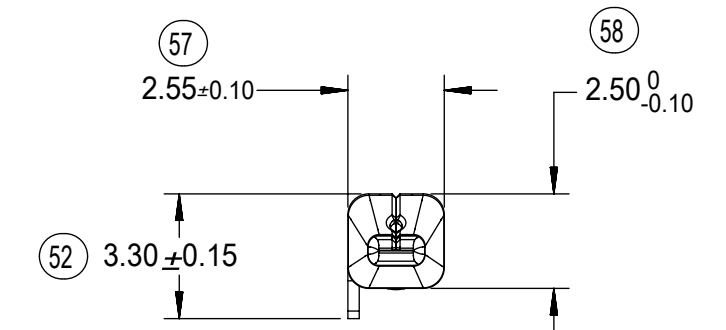
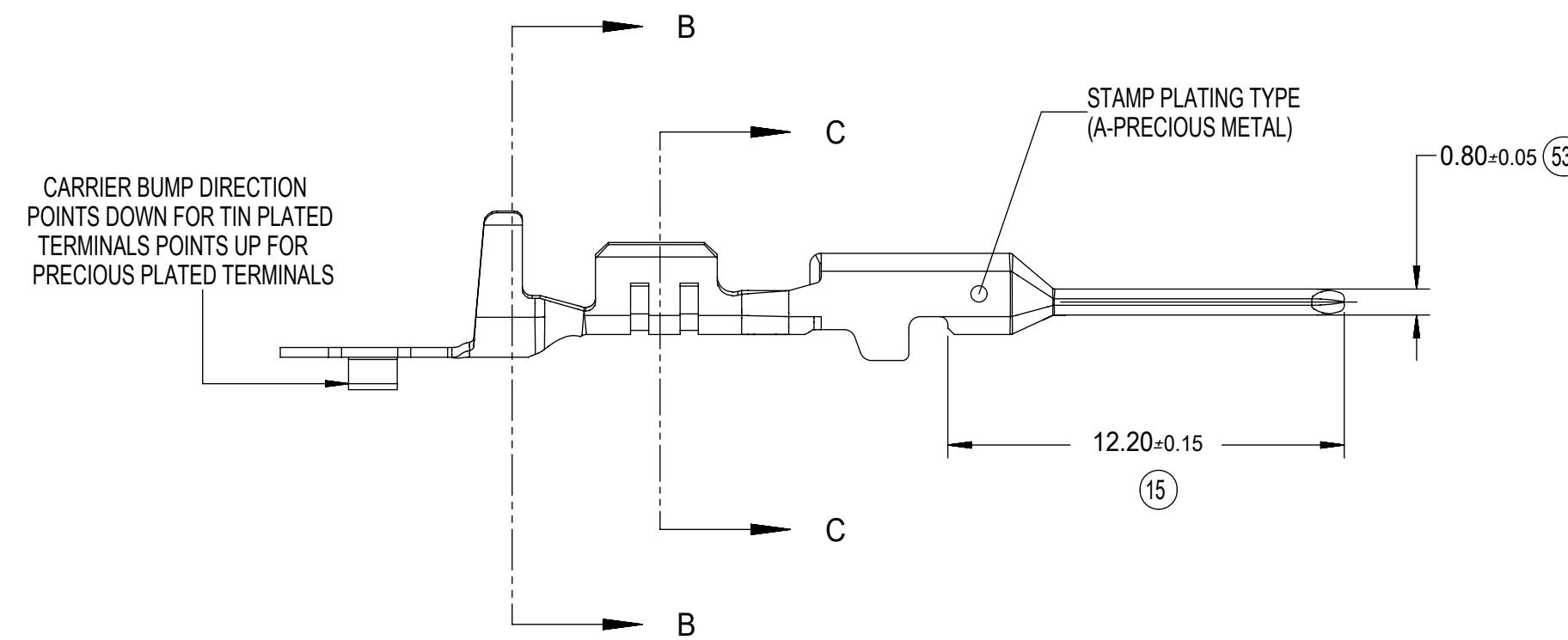
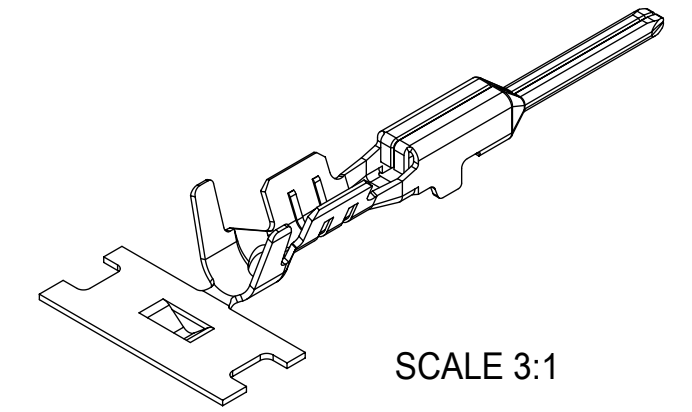
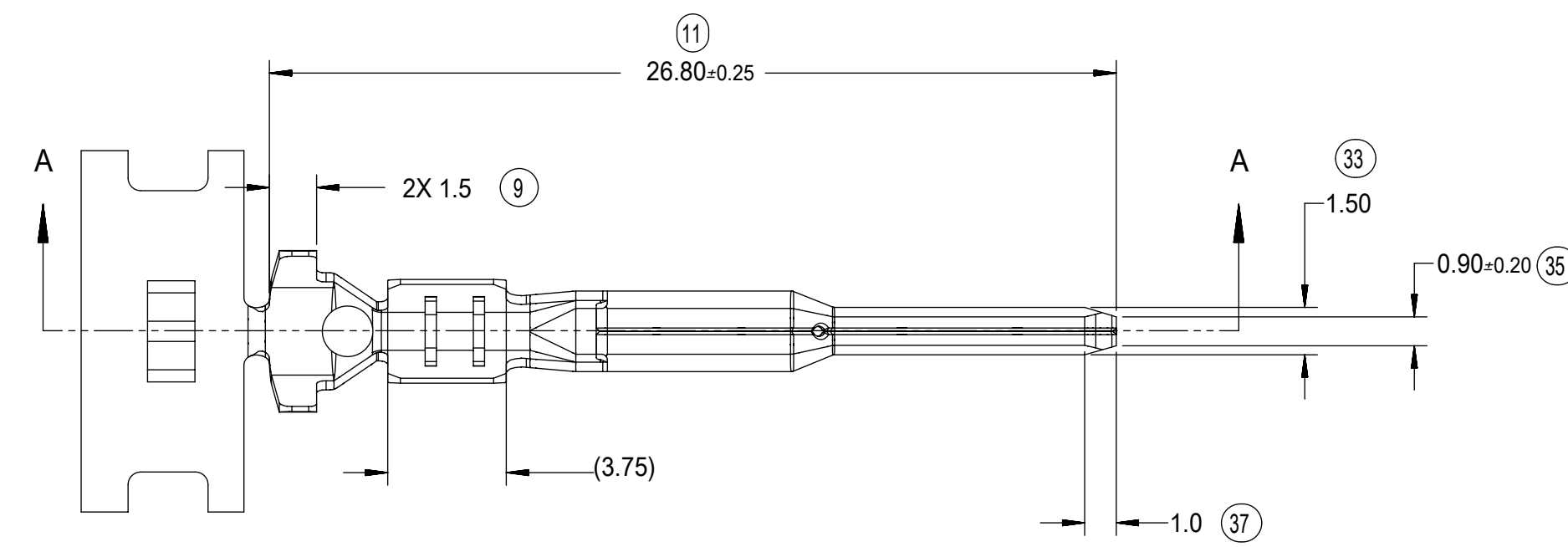
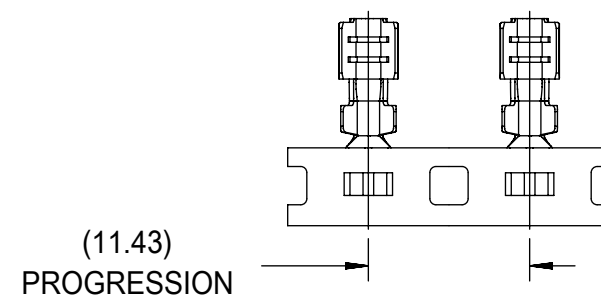
- MATING TERMINAL SHOWN ON SD-34083-002
- MATERIAL: ASTM B422, UNS C19025, HR04  
THICKNESS: 0.30 mm ±0.01  
TEMPER: FULL HARD (REF)  
TENSILE: 496 MIN MPA
- TIN PLATED TERMINAL FINISH  
OVERALL UNDERPLATE ELECTRODEPOSITED NICKEL  
OVERALL ELECTRODEPOSITED REFLOW TIN
- GOLD PLATED TERMINAL FINISH  
OVERALL UNDERPLATE ELECTRODEPOSITED DUCTILE SULFAMATE NICKEL  
CONTACT AREA - ELECTRODEPOSITED GOLD  
GRIP AREA - ELECTRODEPOSITED 100% TIN MATTE FINISH
- SILVER PLATED TERMINAL FINISH  
OVERALL UNDERPLATE ELECTRODEPOSITED DUCTILE SULFAMATE NICKEL  
CONTACT AREA - ELECTRODEPOSITED PURE SILVER (0.5% MAX IMPURITIES) SEMI-BRIGHT FINISH  
- SILVER ANTI-TARNISH : EVABRITE  
GRIP AREA - ELECTRODEPOSITED 100% TIN MATTE FINISH
- MEETS PERFORMANCE SPECIFICATION FOR CABLE TO TERMINAL ELECTRICAL CRIMPS PER SAE/USCAR-21 (2/2004)
- MEETS PERFORMANCE STANDARD FOR AUTOMOTIVE ELECTRICAL CONNECTOR SYSTEMS FOR SAE/USCAR-2, REV. 4 (TEMP CLASS 3) (5/2004)
- MEETS ELECTRICAL CONNECTION SYSTEM DESIGN SPECIFICATION (SDS) REV.15 (9/2007)
- MEETS FIELD CORRELATED LIFE TEST (FCLT) PER SAE/USCAR-20 (6/2004)
- REFERENCE FORD CAVITY SPECIFICATION 97BG-14421-ADA
- REFERENCE AS-34080-001 FOR CRIMP INFORMATION
- REFERENCE PK-31300-516 FOR REEL DIRECTION
- REFERENCE PS-34083-002 FOR PRODUCT SPECIFICATION



SECTION B-B  
Scale 7:1



SECTION C-C  
Scale 7:1



SECTION A-A

TABLE 1 - TERMINAL PART NUMBER AND DIMENSION REFERENCE

FAMILY	GENDER	SEALING	PLATING	PART NUMBER	PAYOFF DIRECTION	GRIP CODE	WIRE SIZES *	A ±0.3	B ±0.20	C ±0.3	D ±0.15	N ±0.10	SPECIAL CHARACTERISTICS
MX150	BLADE	WIRE SEAL	Sn	34080-0003	RIGHT (B)	22	22AWG 0.35-0.50mm	2.5	4.85	0.9	2.90	0.55	HIGH PERFORMANCE Sn
				34080-1003	LEFT (D)								
				34080-0002	RIGHT (B)	18	20/18AWG 0.75-1.00mm	3.3	5.00	1.3	2.90	0.70	
				34080-1002	LEFT (D)								
				34080-0001	RIGHT (B)	14	16/14AWG 1.50-2.00mm	3.6	5.00	1.7	2.90	0.90	
				34080-1001	LEFT (D)								
			Au	34080-0106	RIGHT (B)	22	22AWG 0.35-0.50mm	2.5	4.85	0.9	2.90	0.55	HIGH PERFORMANCE Au
				34080-1106	LEFT (D)								
				34080-0104	RIGHT (B)	18	20/18AWG 0.75-1.00mm	3.3	5.00	1.3	2.90	0.70	
				34080-1104	LEFT (D)								
				34080-0102	RIGHT (B)	14	16/14AWG 1.50-2.00mm	3.6	5.00	1.7	2.90	0.90	
				34080-1102	LEFT (D)								
Ag	34080-0206	RIGHT (B)	22	22AWG 0.35-0.50mm	2.5	4.85	0.9	2.90	0.55	HIGH PERFORMANCE Ag			
	34080-1206	LEFT (D)											
	34080-0204	RIGHT (B)	18	20/18AWG 0.75-1.00mm	3.3	5.00	1.3	2.90	0.70				
	34080-1204	LEFT (D)											
34080-0202	RIGHT (B)	14	16/14AWG 1.50-2.00mm	3.6	5.00	1.7	2.90	0.90					
34080-1202	LEFT (D)												

\* SEE AS-34080-001 FOR SPECIFIC WIRE TYPES

SYMBOLS	THIS DRAWING CONTAINS INFORMATION THAT IS PROPRIETARY TO MOLEX ELECTRONIC TECHNOLOGIES, LLC AND SHOULD NOT BE USED WITHOUT WRITTEN PERMISSION		CURRENT REV DESC:		
	DIMENSION UNITS: mm SCALE: 5:1 GENERAL TOLERANCES (UNLESS SPECIFIED): ANGULAR TOL ± 3.0° 4 PLACES ± 3 PLACES ± 2 PLACES ± 0.10 1 PLACE ± 0.3 0 PLACES ± DRAFT WHERE APPLICABLE MUST REMAIN WITHIN DIMENSIONS	EC NO: 628017 DRWN: NVENKATESHSH 2019/05/11 CHK'D: TOMSMITH 2019/12/23 APPR: TOMSMITH 2019/12/23		MX 150 BLADE CABLE SEAL PRODUCT CUSTOMER DRAWING	
INITIAL REVISION: DRWN: KFERGUSON 2008/06/09 APPR: BMOSEY 2008/09/06		DOCUMENT NUMBER: SD-34080-001 DOC TYPE: PSD DOC PART: 001 REVISION: C3		MATERIAL NUMBER: SEE TABLE CUSTOMER: GENERAL MARKET SHEET NUMBER: 1 OF 1	