



产品编号 : 340812004

Product Description : MX150 Cable Seal
Female Terminal, Gold Plating, 18 and 20
AWG, Right Reel Payoff

系列号 : 34081

状态 : Active

Product Category : Crimp Terminals

文件和资源

图纸

图纸 340812004_sd.pdf


规格

产品规格 PS-34083-002-001.pdf

测试摘要 TS-34081-002-001.pdf

产物环境合规

合规

GADSL/IMDS	Duty-To-Declare
China RoHS	
EU ELV	Compliant per 2000/53/EC
Low-Halogen Status	Low-Halogen per IEC 61249-2-21
REACH SVHC	Not Contained per D(2023)8585-DC (23 Jan 2024)
EU RoHS	Compliant per EU 2015/863

多部分产品合规性声明

- Eu RoHS
- REACH SVHC
- Low-Halogen

- IPC 1752A Class C
- IPC 1752A Class D
- Molex Product Compliance Declaration
- IEC-62474
- chemSHERPA (xml)

欧盟 RoHS 合格证书

产品详情

常规

状态	活动
类别	Crimp Terminals
系列	34081
说明	MX150 Cable Seal Female Terminal, Gold Plating, 18 and 20 AWG, Right Reel Payoff
应用	Power, Wire-to-Board, Wire-to-Wire
个评论	For automatic and semi-automatic crimping, use Left Reel Payoff terminals. See Sales Drawing for Left Reel Payoff Part Numbers.
产品系列	MX150 Sealed and Unsealed Connector System
产品名称	MX150
UPC	822350084451

电气

每触点最大电流	Contact Molex
电压 - 最大	14V DC

物理

性别	女
夹具代码	18
材料 - 金属	High Performance Alloy (HPA)
材料 - 接合部位电镀	金牌
材料 - 终端电镀	Tin
净重	0.367/g
包装形式	Reel
最薄镀层 - 接合部位	0.762µm
最薄镀层 - 端接	2.540µm
终端界面类型	Crimp or Compression
导线绝缘直径	2.54mm max.
线径规格 (AWG)	18, 20
线缆尺寸mm ²	0.75-1.00

进程

无铅	不适用
----	-----

可连接使用部件

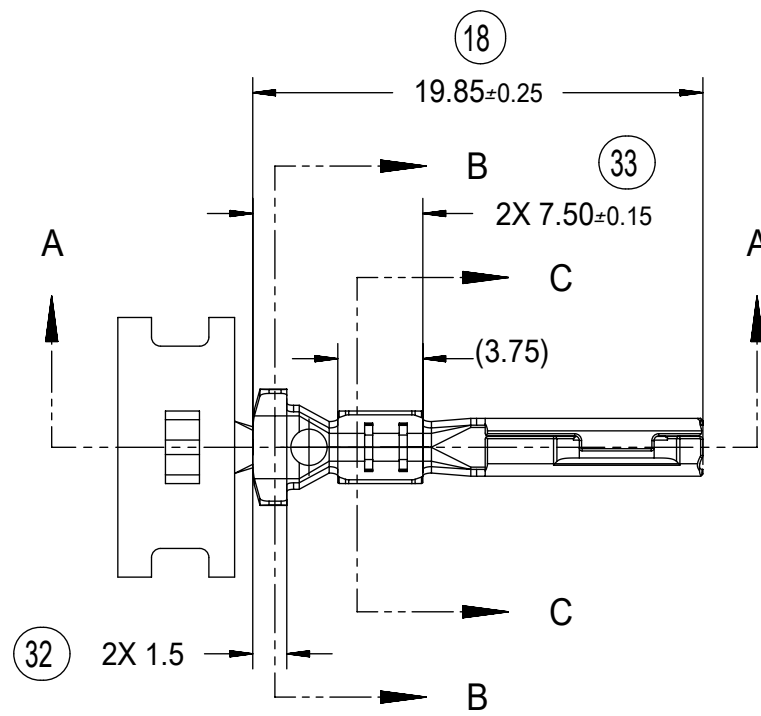
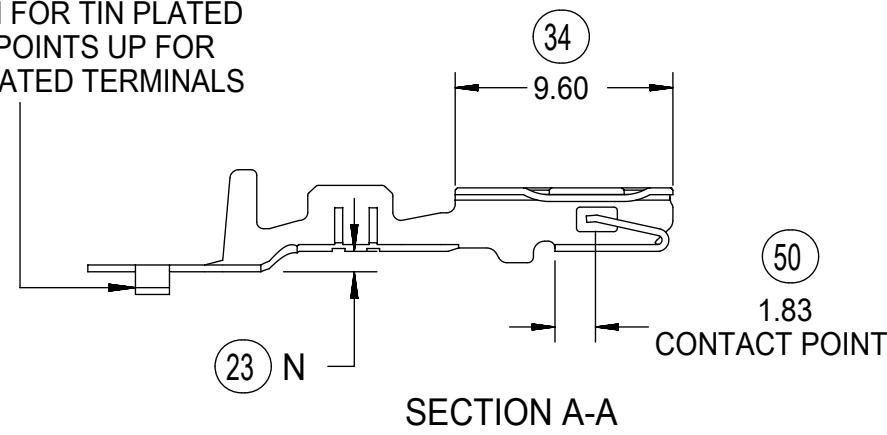
描述	产品编号
MX150 Mat-Sealed Single Row Female Connector Assemblies	<u>33471</u>
MX150 Mat-Sealed Dual Row Female Connector Assemblies	<u>33472</u>
MX150 Cable-Sealed Single Row Female Connector Assemblies	<u>34062</u>
MX150 Cable Sealed Single Row Female Connectors	<u>34250</u>

施工工具

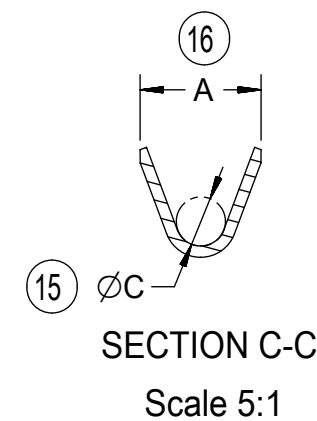
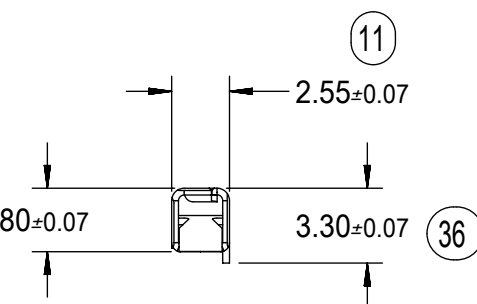
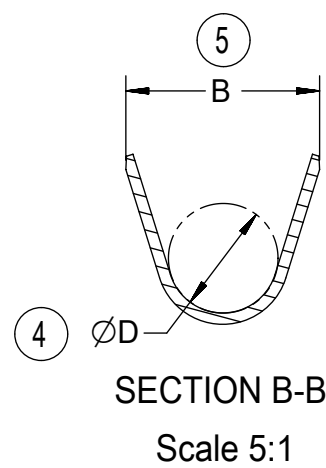
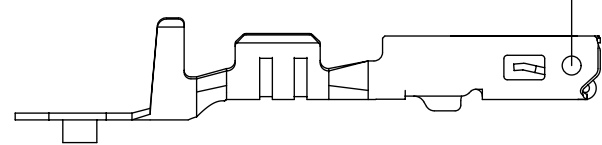
全局

描述	产品编号
Extraction Toolkit for MX150 Connectors	<u>2002220700</u>
Extraction Tool for MX150L, MX150, PT Bulb Socket, iGrid, SPOX, and Wire-to-Motor Terminals	<u>638131500</u>
Hand Crimp Tool for Cable Seal Crimp Terminals	<u>638199200</u>

CARRIER BUMP DIRECTION
POINTS DOWN FOR TIN PLATED
TERMINALS, POINTS UP FOR
PRECIOUS PLATED TERMINALS



STAMP PLATING TYPE (Au-GOLD),
(Sn-TIN) OR (Ag-SILVER) IN THIS AREA



(11.43)
PROGRESSION

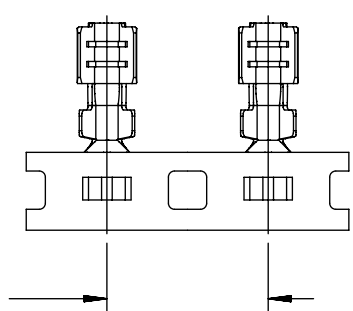


TABLE 1 - TERMINAL PART NUMBER AND DIMENSION REFERENCE

FAMILY	GENDER	SEALING	PLATING	PART NUMBER	PAYOFF DIRECTION	GRIP CODE	WIRE SIZES*	A ±0.3	B ±0.20	C ±0.3	D ±0.15	N ±0.10	SPECIAL CHARACTERISTICS
MX150	RECEPTACLE	WIRE SEAL	Sn	34083-2003	RIGHT (B)	22	22AWG	2.5	4.85	0.9	2.90	0.55	HIGH PERFORMANCE Sn
				34083-3003	LEFT (D)		0.35-0.50mm ²						
				34083-2002	RIGHT (B)	18	20/18AWG	3.3	5.00	1.3	2.90	0.70	
				34083-3002	LEFT (D)		0.75-1.00mm ²						
				34083-2001	RIGHT (B)	14	16/14AWG	3.6	5.00	1.7	2.90	0.90	
				34083-3001	LEFT (D)		1.50-2.00mm ²						
			Au	34081-2005	RIGHT (B)	22	22AWG	2.5	4.85	0.9	2.90	0.55	HIGH PERFORMANCE Au
				34081-3005	LEFT (D)		0.35-0.50mm ²						
				34081-2004	RIGHT (B)	18	20/18AWG	3.3	5.00	1.3	2.90	0.70	
				34081-3004	LEFT (D)		0.75-1.00mm ²						
				34081-2003	RIGHT (B)	14	16/14AWG	3.6	5.00	1.7	2.90	0.90	
				34081-3003	LEFT (D)		1.50-2.00mm ²						
Ag	34081-4003	RIGHT (B)	22	22AWG	2.5	4.85	0.9	2.90	0.55	HIGH PERFORMANCE Ag			
	34081-5003	LEFT (D)		0.35-0.50mm ²									
	34081-4002	RIGHT (B)	18	20/18AWG	3.3	5.00	1.3	2.90	0.70				
	34081-5002	LEFT (D)		0.75-1.00mm ²									
	34081-4001	RIGHT (B)	14	16/14AWG	3.6	5.00	1.7	2.90	0.90				
	34081-5001	LEFT (D)		1.50-2.00mm ²									

* SEE AS-34083-002 FOR SPECIFIC WIRE TYPES

NOTES: (UNLESS OTHERWISE SPECIFIED)

- MATING TERMINAL SHOWN ON DRAWING SD-34080-001
- MATERIAL: ASTM B422, UNS C19025, HR04
THICKNESS: 0.30 mm ±0.01
TEMPER: FULL HARD (REF)
TENSILE: 496 MIN MPA
- TIN PLATED TERMINAL FINISH
OVERALL UNDERPLATE ELECTRODEPOSITED NICKEL
OVERALL ELECTRODEPOSITED REFLOW TIN
- GOLD PLATED TERMINAL FINISH
OVERALL UNDERPLATE ELECTRODEPOSITED DUCTILE SULFAMATE NICKEL
CONTACT AREA - ELECTRODEPOSITED GOLD
GRIP AREA - ELECTRODEPOSITED 100% TIN MATTE FINISH
- SILVER PLATED TERMINAL FINISH
OVERALL UNDERPLATE ELECTRODEPOSITED DUCTILE SULFAMATE NICKEL
CONTACT AREA - ELECTRODEPOSITED PURE SILVER (0.5% MAX IMPURITIES) SEMI-BRIGHT FINISH
- SILVER ANTI-TARNISH : EVABRITE
GRIP AREA - ELECTRODEPOSITED 100% TIN MATTE FINISH
- MEETS PERFORMANCE SPECIFICATION FOR CABLE TO TERMINAL ELECTRICAL CRIMPS PER SAE/USCAR-21 (5/2002)
- MEETS PERFORMANCE STANDARD FOR AUTOMOTIVE ELECTRICAL CONNECTOR SYSTEMS FOR SAE/USCAR-2 REV. 4 (TEMP CLASS 3) (5/2004)
- MEETS ELECTRICAL CONNECTION SYSTEM DESIGN SPECIFICATION (SDS) REV.11 (5/2002)
- MEETS FIELD CORRELATED LIFE TEST (FCLT) PER SAE/USCAR-20 (6/2004)
- INSERTION FORCE WITH INLINE BLADE TERMINAL:
AVG. FORCE 3.1 N TIN (REFERENCE)
2.7 N GOLD (REFERENCE)
2.9 N SILVER (REFERENCE)
- REFERENCE FORD CAVITY SPECIFICATION 97BG-14474-ADA
- REFERENCE AS-34083-002 FOR CRIMP INFORMATION
- REFERENCE PK-31300-516 FOR REEL DIRECTION
- REFERENCE PS-34083-002 FOR PRODUCT SPECIFICATION

SYMBOLS	THIS DRAWING CONTAINS INFORMATION THAT IS PROPRIETARY TO MOLEX ELECTRONIC TECHNOLOGIES, LLC AND SHOULD NOT BE USED WITHOUT WRITTEN PERMISSION		CURRENT REV DESC:		molex			
DIMENSION UNITS	SCALE							
▽ = 0	mm	3:1						
▽ = 0	GENERAL TOLERANCES (UNLESS SPECIFIED)							
▽ = 0	ANGULAR TOL ± 3.0°							
▽ = 0	4 PLACES ±			EC NO: 628017				
▽ = 0	3 PLACES ±			DRWN: NVENKATESHSH 2019/05/11				
▽ = 0	2 PLACES ± 0.10			CHK'D: TOMSMITH 2019/12/23				
▽ = 0	1 PLACE ± 0.3			APPR: TOMSMITH 2019/12/23				
▽ = 0	0 PLACES ±			INITIAL REVISION:				
▽ = 0	DRAFT WHERE APPLICABLE MUST REMAIN WITHIN DIMENSIONS		THIRD ANGLE PROJECTION		DRWN: KFERGUSON 2009/04/14			
▽ = 0			DRAWING SERIES		APPR: BMOSEY 2009/04/14			
		C-SIZE 34083		DOCUMENT NUMBER		SD-34083-002		
				DOC TYPE		PSD		
				DOC PART		001		
				REVISION		B2		
				MATERIAL NUMBER		SEE TABLE		
				CUSTOMER		GENERAL MARKET		
				SHEET NUMBER		1 OF 1		

molex

MX 150 RECEPTACLE
CABLE SEAL

PRODUCT CUSTOMER DRAWING

DOCUMENT NUMBER DOC TYPE DOC PART REVISION

SD-34083-002 PSD 001 B2

MATERIAL NUMBER CUSTOMER SHEET NUMBER

SEE TABLE GENERAL MARKET 1 OF 1