



产品编号 : [340833002](#)

Product Description : MX150 Cable Seal
Female Terminal, Tin Plating, 18 and 20
AWG, Left Reel Payoff

系列号 : 34083

状态 : Active

Product Category : Crimp Terminals



文件和资源

图纸

[图纸 340833002_sd.pdf](#)

规格

[产品规格 PS-34083-002-001.pdf](#)

[测试摘要 TS-34083-002-001.pdf](#)

产物环境合规

合规

GADSL/IMDS	Compliant with Exemption 44; 33; 34
China RoHS	Not Relevant
EU ELV	Compliant per 2000/53/EC
Low-Halogen Status	Low-Halogen per IEC 61249-2-21
REACH SVHC	Not Contained per D(2023)3788-DC (14 Jun 2023)
EU RoHS	Compliant per EU 2015/863

多部分产品合规性声明

- Eu RoHS
- REACH SVHC
- Low-Halogen

多部分行业合规性文件

- IPC 1752A Class C
- IPC 1752A Class D
- Molex Product Compliance Declaration
- IEC-62474

产品详情

常规

状态	活动
类别	Crimp Terminals
系列	34083
说明	MX150 Cable Seal Female Terminal, Tin Plating, 18 and 20 AWG, Left Reel Payoff
应用	Power, Wire-to-Board, Wire-to-Wire
个评论	Left Reel Payoff, Cable Seal
产品系列	MX150 Sealed and Unsealed Connector System
产品名称	MX150
UPC	822350084543

电气

每触点最大电流	Contact Molex
电压 - 最大	14V DC

物理

性别	女
夹具代码	18
材料 - 金属	High Performance Alloy (HPA)
材料 - 接合部位电镀	Tin
材料 - 终端电镀	Tin
净重	0.387/g
包装形式	Reel
最薄镀层 - 接合部位	0.508µm
最薄镀层 - 端接	0.508µm
终端界面类型	Crimp or Compression
导线绝缘直径	2.54mm max.
线径规格 (AWG)	18, 20

线缆尺寸mm ²	0.75-1.00
---------------------	-----------

进程

无铅	不适用
----	-----

可连接使用部件

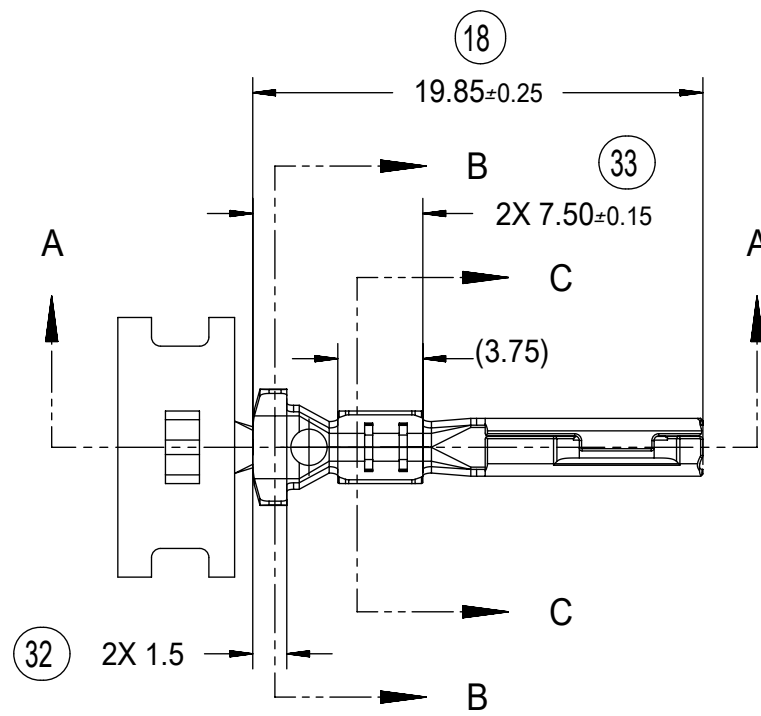
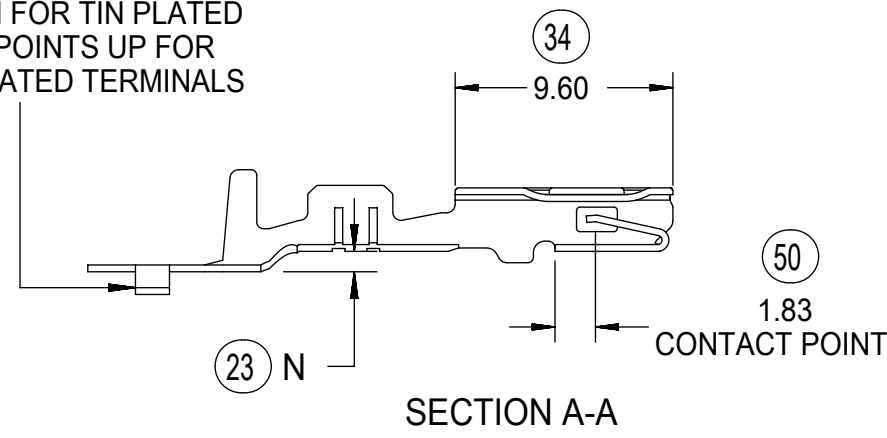
描述	产品编号
MX150 Cable-Sealed Single Row Female Connector Assemblies	<u>34062</u>
MX150 Cable Sealed Single Row Female Connectors	<u>34250</u>

施工工具

全局

描述	产品编号
Extraction Toolkit for MX150 Connectors	<u>2002220700</u>
Extraction Tool for MX150L, MX150, PT Bulb Socket, iGrid, SPOX, and Wire-to-Motor Terminals	<u>0638131500</u>
Hand Crimp Tool for Cable Seal Crimp Terminals	<u>0638199200</u>
FineAdjust Applicator for Cable Seal Crimp Terminals	<u>0639018100</u>

CARRIER BUMP DIRECTION
POINTS DOWN FOR TIN PLATED
TERMINALS, POINTS UP FOR
PRECIOUS PLATED TERMINALS



STAMP PLATING TYPE (Au-GOLD),
(Sn-TIN) OR (Ag-SILVER) IN THIS AREA

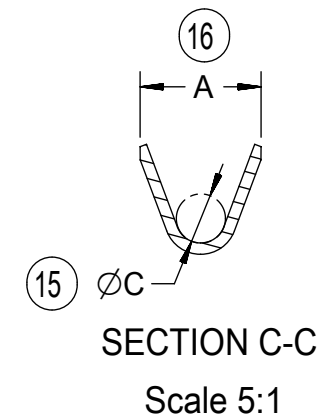
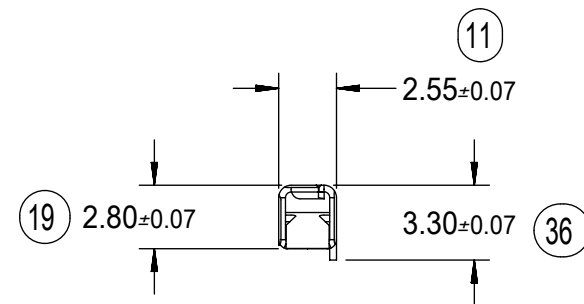
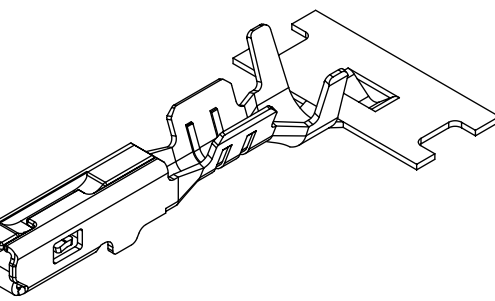
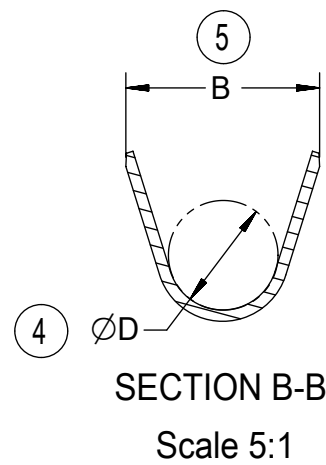
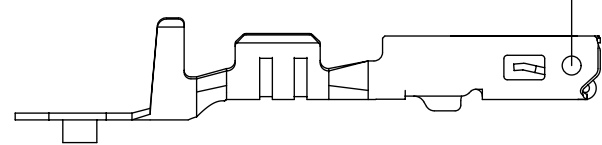


TABLE 1 - TERMINAL PART NUMBER AND DIMENSION REFERENCE

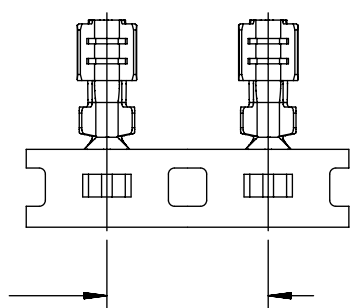
FAMILY	GENDER	SEALING	PLATING	PART NUMBER	PAYOFF DIRECTION	GRIP CODE	WIRE SIZES*	A ±0.3	B ±0.20	C ±0.3	D ±0.15	N ±0.10	SPECIAL CHARACTERISTICS
MX150	RECEPTACLE	WIRE SEAL	Sn	34083-2003	RIGHT (B)	22	22AWG	2.5	4.85	0.9	2.90	0.55	HIGH PERFORMANCE Sn
				34083-3003	LEFT (D)		0.35-0.50mm ²						
				34083-2002	RIGHT (B)	18	20/18AWG	3.3	5.00	1.3	2.90	0.70	
				34083-3002	LEFT (D)		0.75-1.00mm ²						
				34083-2001	RIGHT (B)	14	16/14AWG	3.6	5.00	1.7	2.90	0.90	
				34083-3001	LEFT (D)		1.50-2.00mm ²						
			Au	34081-2005	RIGHT (B)	22	22AWG	2.5	4.85	0.9	2.90	0.55	HIGH PERFORMANCE Au
				34081-3005	LEFT (D)		0.35-0.50mm ²						
				34081-2004	RIGHT (B)	18	20/18AWG	3.3	5.00	1.3	2.90	0.70	
				34081-3004	LEFT (D)		0.75-1.00mm ²						
				34081-2003	RIGHT (B)	14	16/14AWG	3.6	5.00	1.7	2.90	0.90	
				34081-3003	LEFT (D)		1.50-2.00mm ²						
Ag	34081-4003	RIGHT (B)	22	22AWG	2.5	4.85	0.9	2.90	0.55	HIGH PERFORMANCE Ag			
	34081-5003	LEFT (D)		0.35-0.50mm ²									
	34081-4002	RIGHT (B)	18	20/18AWG	3.3	5.00	1.3	2.90	0.70				
	34081-5002	LEFT (D)		0.75-1.00mm ²									
	34081-4001	RIGHT (B)	14	16/14AWG	3.6	5.00	1.7	2.90	0.90				
	34081-5001	LEFT (D)		1.50-2.00mm ²									

* SEE AS-34083-002 FOR SPECIFIC WIRE TYPES

NOTES: (UNLESS OTHERWISE SPECIFIED)

- MATING TERMINAL SHOWN ON DRAWING SD-34080-001
- MATERIAL: ASTM B422, UNS C19025, HR04
THICKNESS: 0.30 mm ±0.01
TEMPER: FULL HARD (REF)
TENSILE: 496 MIN MPA
- TIN PLATED TERMINAL FINISH
OVERALL UNDERPLATE ELECTRODEPOSITED NICKEL
OVERALL ELECTRODEPOSITED REFLOW TIN
- GOLD PLATED TERMINAL FINISH
OVERALL UNDERPLATE ELECTRODEPOSITED DUCTILE SULFAMATE NICKEL
CONTACT AREA - ELECTRODEPOSITED GOLD
GRIP AREA - ELECTRODEPOSITED 100% TIN MATTE FINISH
- SILVER PLATED TERMINAL FINISH
OVERALL UNDERPLATE ELECTRODEPOSITED DUCTILE SULFAMATE NICKEL
CONTACT AREA - ELECTRODEPOSITED PURE SILVER (0.5% MAX IMPURITIES) SEMI-BRIGHT FINISH
- SILVER ANTI-TARNISH : EVABRITE
GRIP AREA - ELECTRODEPOSITED 100% TIN MATTE FINISH
- MEETS PERFORMANCE SPECIFICATION FOR CABLE TO TERMINAL ELECTRICAL CRIMPS PER SAE/USCAR-21 (5/2002)
- MEETS PERFORMANCE STANDARD FOR AUTOMOTIVE ELECTRICAL CONNECTOR SYSTEMS FOR SAE/USCAR-2 REV. 4 (TEMP CLASS 3) (5/2004)
- MEETS ELECTRICAL CONNECTION SYSTEM DESIGN SPECIFICATION (SDS) REV.11 (5/2002)
- MEETS FIELD CORRELATED LIFE TEST (FCLT) PER SAE/USCAR-20 (6/2004)
- INSERTION FORCE WITH INLINE BLADE TERMINAL:
AVG. FORCE 3.1 N TIN (REFERENCE)
2.7 N GOLD (REFERENCE)
2.9 N SILVER (REFERENCE)
- REFERENCE FORD CAVITY SPECIFICATION 97BG-14474-ADA
- REFERENCE AS-34083-002 FOR CRIMP INFORMATION
- REFERENCE PK-31300-516 FOR REEL DIRECTION
- REFERENCE PS-34083-002 FOR PRODUCT SPECIFICATION

(11.43)
PROGRESSION



SYMBOLS	THIS DRAWING CONTAINS INFORMATION THAT IS PROPRIETARY TO MOLEX ELECTRONIC TECHNOLOGIES, LLC AND SHOULD NOT BE USED WITHOUT WRITTEN PERMISSION		CURRENT REV DESC:		molex			
▽ = 0	DIMENSION UNITS	SCALE			MX 150 RECEPTACLE CABLE SEAL			
▽ = 0	mm	3:1						
▽ = 0	GENERAL TOLERANCES (UNLESS SPECIFIED)				PRODUCT CUSTOMER DRAWING			
▽ = 0	ANGULAR TOL ± 3.0°							
▽ = 0	4 PLACES ±		EC NO: 628017		DOCUMENT NUMBER			
▽ = 0	3 PLACES ±		DRWN: NVENKATESHSH 2019/05/11					
▽ = 0	2 PLACES ± 0.10		CHK'D: TOMSMITH 2019/12/23		DOC TYPE			
▽ = 0	1 PLACE ± 0.3		APPR: TOMSMITH 2019/12/23					
▽ = 0	0 PLACES ±		INITIAL REVISION:		REVISION			
▽ = 0	DRAFT WHERE APPLICABLE MUST REMAIN WITHIN DIMENSIONS		DRWN: KFERGUSON 2009/04/14					
▽ = 0	THIRD ANGLE PROJECTION		APPR: BMOSEY 2009/04/14		SHEET NUMBER			
▽ = 0	DRAWING		SERIES					
▽ = 0	C-SIZE		34083		GENERAL MARKET			
▽ = 0	MATERIAL NUMBER		CUSTOMER					
▽ = 0	C-SIZE		34083					