



产品编号 : [345660803](#)

Product Description : 2.54mm Pitch, MX123 Female Receptacle Housing, Keying Option H, Wire Dress Option 0, 80 Circuits, Gray TPA

系列号 : 34566

状态 : Active

Product Category : Connector Housings



---

## 文件和资源

### 图纸

[图纸 345660803\\_sd.pdf](#)

### 3D 模型和设计文件

[3D模型 345660803\\_stp.zip](#)

### 规格

[应用规格 345660001-AS-CH-000.pdf](#)

[产品规格 PS-34566-0000-001.pdf](#)


[测试摘要 TS-34566-002-001.pdf](#)

[测试摘要 TS-34566-1546-001.pdf](#)

---

## 产物环境合规

### 合规

GADSL/IMDS	Compliant
China RoHS	
EU ELV	Compliant per 2000/53/EC
Low-Halogen Status	Low-Halogen per IEC 61249-2-21
REACH SVHC	Not Contained per D(2023)3788-DC (14 Jun 2023)
EU RoHS	Compliant per EU 2015/863

### [多部分产品合规性声明](#)

- Eu RoHS
- REACH SVHC
- Low-Halogen

### [多部分行业合规性文件](#)

- IPC 1752A Class C
- IPC 1752A Class D
- Molex Product Compliance Declaration
- IEC-62474
- chemSHERPA (xml)

欧盟 RoHS 合格证书

## 产品详情

### 常规

状态	活动
类别	Connector Housings
系列	34566
说明	2.54mm Pitch, MX123 Female Receptacle Housing, Keying Option H, Wire Dress Option 0, 80 Circuits, Gray TPA
应用	Automotive, Power, Wire-to-Board
个评论	See Sales Drawing for number of Open Circuits
产品系列	MX123 Sealed Connection System
产品名称	MX123
UPC	822348356805

### 电气

每触点最大电流	11.0A, 25.0A
---------	--------------

### 物理

电路详图	80
电路数 (最多)	80
颜色-树脂	灰色
性别	Receptacle
符合灼热丝规范	否
插接极性	是
锁定插接部位	是
材料 - 树脂	Nylon
净重	51.245/g
行数	4

包装形式	Tray
面板安装式	否
间距 - 插配接口	2.54mm
间距 - 终端界面	2.54mm
有极性的插配件	是
可堆叠的	否
运行温度范围	-40° to +125° C

## 进程

无铅	不适用
----	-----

---

## 可配插/可连接使用的产品

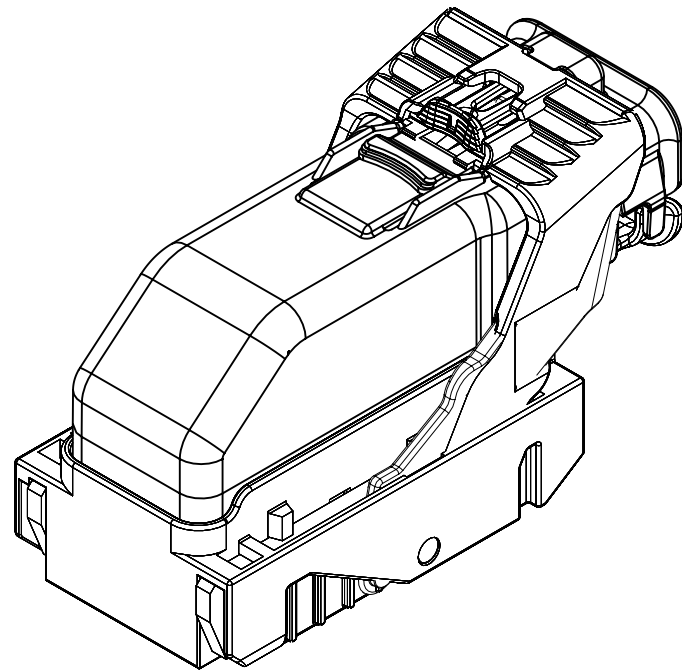
### 可配插部件

描述	产品编号
MX123 Shrouded Header Assemblies	<u>31386</u>
MX123 Shrouded Header Assemblies	<u>31387</u>


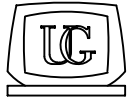
### 可连接使用部件

描述	产品编号
MX64 Female Terminals	<u>33467</u>
MX64 Female Terminals	<u>34736</u>

INDEX	
PAGE TITLE	PAGE
TITLE BLOCK	1
REVISION BLOCK	2
PART BLOCK	3
KPC BLOCK	4
COMPONENT TABLE	5
NOTES	6
NOTES	7
WIRE DRESS PACKAGING DIMENSIONS	8
LOCATION AND PACKAGING DIMENSIONS REFERENCING INTERFACE DATUMS B & C	9
LOCATION AND PACKAGING DIMENSIONS REFERENCING INTERFACE DATUM A	10
KEY ID REF - WIRE DRESS OPTION 0	11
KEY ID REF - WIRE DRESS OPTION 9	12
CIRCUIT CONFIGURATIONS	13
CIRCUIT CONFIGURATIONS	14
COMPONENT CONNECTOR INTERFACE	15
COMPONENT CONNECTOR INTERFACE	16
COMPONENT CONNECTOR INTERFACE	17
COMPONENT CONNECTOR INTERFACE	18
COMPONENT CONNECTOR INTERFACE	19
COMPONENT CONNECTOR INTERFACE	20
COMPONENT CONNECTOR INTERFACE	21



ISO VIEW

	<p><b>UNLESS OTHERWISE SPECIFIED:</b> THIS DOCUMENT IS IN ACCORDANCE WITH ASME Y14.5M-1994 AS AMMENDED BY THE GM GLOBAL DIMENSIONING AND TOLERANCING ADDENDUM-1997. ALL GEOMETRIC TOLERANCES AND RELATED DATUMS APPLY RFS. RULE #1 (PERFECT FORM AT MMC) DOES NOT APPLY WHEN A RELATIONSHIP BETWEEN FEATURES IS ESTABLISHED BY ORIENTATION OR LOCATION TOLERANCES. SEPARATE POSITION CALLOUTS MAY BE GAGED SEPARATELY REGARDLESS OF DATUM REFERENCES.</p>			DATE						
	 CHANGE RESTRICTED NO MANUAL CHANGES	REFERENCE 12H (MOLEX AUTOMOTIVE)	DRAFTER J SZYMKOWSKI APVD1 D PFAFFINGER APVD2 B BURT APVD3 APVD4 APVD5	22DE05 22DE05 22DE05    						
DO NOT SCALE	DRAWING NAME HARNESS CONN ASM 66/73/80 CKTS									
METRIC DIMENSIONS SHOWN IN MILLIMETERS UNLESS OTHERWISE SPECIFIED	DRAWING NUMBER 12642695		DWG STATUS <table border="1"> <tr> <td>ST</td> <td>REV</td> <td>PD1</td> </tr> <tr> <td>R</td> <td>002</td> <td></td> </tr> </table>		ST	REV	PD1	R	002	
ST	REV	PD1								
R	002									
			PAGE NUMBER 1 OF 21							

PAGE	DWG STATUS					REVISION HISTORY	AUTH	DR	CK	ENG
	DATE	ST	REV	CHG	PDI					
	19DE11	R	001			RELEASED TO PRODUCTION AT DLS A	CRMRJB	SC	MRO	GF
3	08MY15	R	002	A		REORDERED PART BLOCK AND ADDED MASS CORRECTED P/N TYPO FROM 12562676 TO 12582676				
3, 5		R	002	B		ADDED 12659312, 12659313, 12653574 AND 12653575				
6		R	002	C		REMOVED NOTE 1 . D . 3 . C				
20		R	002	D		DIM 125 WAS 3.25 DIM 131 WAS 5.5	CRMRJD	DFK	MRO	GF

PAGE	DWG STATUS					REVISION HISTORY	AUTH	DR	CK	ENG
	DATE	ST	REV	CHG	PDI					



KEY PRODUCT CHARACTERISTICS  
(IN ACCORDANCE WITH QN 1805 OR ON 1050)



SAFETY/COMPLIANCE

TOTAL ON  
DRAWING

5



FIT/FUNCTION

LAST NO.  
USED

5

NO	TYPE	DESCRIPTION	RATIONALE	PAGE/ZONE
1	F/F	32.68	IMPROVE CONNECTOR SYSTEM MATING	15
2	F/F	29.00	INSURE PROPER RELEASE OF LEVER	15
3	F/F	15.25	INSURE FINAL MATE POSITION	16
5	F/F	POSITIONAL TOLERANCE (2 PLACES)	INSURE CONNECTOR SYSTEM MATEABILITY	19



PAGE TITLE  
KPC BLOCK

DRAWING NUMBER

12642695

DWG STATUS

ST	REV	PD1
----	-----	-----

R	002	
---	-----	--

PAGE NUMBER

4 OF 21

LINE	MFG.	MFG. P/N	GM P/N	EFFECTIVE DATE	APPLICABLE COMPONENTS	KEY OPTION	WIRE DRESS OPTION	KEY CONFIG.	COLOR	STATUS
					DESCRIPTION					
-										
1	MOLEX	34565-0003	12582676	02JN03	MX123 DRESS COVER 66/73/80 CKT	N/A	N/A	N/A	BLACK	AVAILABLE
2	MOLEX	34822-0013	12642692	01SP13	MX123 HRNS CONN ASSY 66 CKT	A	0	1458	BLACK	AVAILABLE
3	MOLEX	34822-0033	12659312	01SP13	MX123 HRNS CONN ASSY 66 CKT	C	0	2467	BLUE	AVAILABLE
4	MOLEX	34822-0023	12642693	01SP13	MX123 HRNS CONN ASSY 66 CKT	A	9	1458	BLACK	AVAILABLE
5	MOLEX	34822-0043	12659313	01SP13	MX123 HRNS CONN ASSY 66 CKT	C	9	2467	BLUE	AVAILABLE
6	MOLEX	34566-0103	12582677	11JN04	MX123 HRNS CONN ASSY 73 CKT	A	0	1458	BLACK	AVAILABLE
7	MOLEX	34566-0203	12582678	11JN04	MX123 HRNS CONN ASSY 73 CKT	B	0	1468	ST GRAY	AVAILABLE
8	MOLEX	34566-0303	12615654	09AP08	MX123 HRNS CONN ASSY 73 CKT	C	0	2467	BLUE	AVAILABLE
9	MOLEX	34566-0403	12647268	T.B.D	MX123 HRNS CONN ASSY 73 CKT	D	0	2367	BROWN	NOT ACTIVE
10	MOLEX	34566-0503	AMJ28633	T.B.D	MX123 HRNS CONN ASSY 73 CKT	E	0	2468	GREEN	NOT ACTIVE
11	MOLEX	34566-0603	12653574	05DC14	MX123 HRNS CONN ASSY 73 CKT	F	0	1357	NATURAL	AVAILABLE
12	MOLEX	34566-0703	12588057	09AP08	MX123 HRNS CONN ASSY 80 CKT	G	0	1358	BLUE	AVAILABLE
13	MOLEX	34566-0803	12588058	11JN04	MX123 HRNS CONN ASSY 80 CKT	H	0	2458	ST GRAY	AVAILABLE
14	MOLEX	34566-0903	12615656	T.B.D	MX123 HRNS CONN ASSY 80 CKT	J	0	2457	BLACK	NOT ACTIVE
15	MOLEX	34566-1003	AMJ28595	T.B.D	MX123 HRNS CONN ASSY 80 CKT	K	0	2357	BROWN	NOT ACTIVE
16	MOLEX	34566-1103	AMJ29057	T.B.D	MX123 HRNS CONN ASSY 80 CKT	L	0	2368	GREEN	NOT ACTIVE
17	MOLEX	34566-1203	AMJ28669	T.B.D	MX123 HRNS CONN ASSY 80 CKT	M	0	2358	NATURAL	NOT ACTIVE
18	MOLEX	34566-1303	12603596	11JN04	MX123 HRNS CONN ASSY 73 CKT	A	9	1458	BLACK	AVAILABLE
19	MOLEX	34566-1403	12603597	11JN04	MX123 HRNS CONN ASSY 73 CKT	B	9	1468	ST GRAY	AVAILABLE
20	MOLEX	34566-1503	12615655	09AP08	MX123 HRNS CONN ASSY 73 CKT	C	9	2467	BLUE	AVAILABLE
21	MOLEX	34566-1603	12647269	T.B.D	MX123 HRNS CONN ASSY 73 CKT	D	9	2367	BROWN	NOT ACTIVE
22	MOLEX	34566-1703	AMJ28698	T.B.D	MX123 HRNS CONN ASSY 73 CKT	E	9	2468	GREEN	NOT ACTIVE
23	MOLEX	34566-1803	12653575	05DC14	MX123 HRNS CONN ASSY 73 CKT	F	9	1357	NATURAL	AVAILABLE
24	MOLEX	34566-1903	12603598	09AP08	MX123 HRNS CONN ASSY 80 CKT	G	9	1358	BLUE	AVAILABLE
25	MOLEX	34566-2003	12603599	11JN04	MX123 HRNS CONN ASSY 80 CKT	H	9	2458	ST GRAY	AVAILABLE
26	MOLEX	34566-2103	12615657	T.B.D	MX123 HRNS CONN ASSY 80 CKT	J	9	2457	BLACK	NOT ACTIVE
27	MOLEX	34566-2203	AMJ29117	T.B.D	MX123 HRNS CONN ASSY 80 CKT	K	9	2357	BROWN	NOT ACTIVE
28	MOLEX	34566-2303	AMJ29136	T.B.D	MX123 HRNS CONN ASSY 80 CKT	L	9	2368	GREEN	NOT ACTIVE
29	MOLEX	34566-2403	AMJ29214	T.B.D	MX123 HRNS CONN ASSY 80 CKT	M	9	2358	NATURAL	NOT ACTIVE
30	MOLEX	34736-2002	12642697	01AU10	MX64 RCPT TERM Ag 18/20 GAGE B (RIGHT PAYOFF)	N/A	N/A	N/A	N/A	AVAILABLE
31	MOLEX	34736-2001	12642696	01AU10	MX64 RCPT TERM Ag 22 GAGE B (RIGHT PAYOFF)	N/A	N/A	N/A	N/A	AVAILABLE
32	MOLEX	34586-0001	T.B.D.	11JN04	MX123 0.64MM GROMMET PLUG	N/A	N/A	N/A	NATURAL	AVAILABLE
33	YAZAKI	7116-4150-02	12588066	02JN03	2.8mm YESC SEALED FEMALE TERMINAL TIN 20/22 GAGE (CABLE RANGE 0.30mm-0.60mm)	N/A	N/A	N/A	N/A	NOT ACTIVE
34	YAZAKI	7116-4151-02	12588067	02JN03	2.8mm YESC SEALED FEMALE TERMINAL TIN 16/18 GAGE (CABLE RANGE 0.75mm-1.40mm)	N/A	N/A	N/A	N/A	NOT ACTIVE
35	YAZAKI	7116-4152-02	12582685	02JN03	2.8mm YESC SEALED FEMALE TERMINAL TIN 14 GAGE (CABLE RANGE 1.50mm-2.50mm)	N/A	N/A	N/A	N/A	AVAILABLE
36	YAZAKI	7158-3111-60	12588068	02JN03	2.8mm CABLE SEAL (wire O.D. range 1.20mm-1.90mm)	N/A	N/A	N/A	GREEN	NOT ACTIVE
37	YAZAKI	7158-3112-70	12588069	02JN03	2.8mm CABLE SEAL (wire O.D. range 1.80mm-2.30mm)	N/A	N/A	N/A	YELLOW	NOT ACTIVE
38	YAZAKI	7158-3113-40	12582686	02JN03	2.8mm CABLE SEAL (wire O.D. range 2.18mm-3.00mm)	N/A	N/A	N/A	WHITE	AVAILABLE
39	YAZAKI	7158-3114-90	T.B.D	02JN03	2.8mm YESC CAVITY PLUG	N/A	N/A	N/A	BLUE	AVAILABLE
40	MOLEX	63811-4200	XX019825	02JN03	MX64 TERM HAND CRIMP TOOL	N/A	N/A	N/A	N/A	AVAILABLE
41	MOLEX	63813-1400	XX019826	02JN03	MX64 TERM SERVICE TOOL	N/A	N/A	N/A	N/A	AVAILABLE
42	MOLEX	63865-8000	XX019827	02JN03	MX64 CRIMP APPLICATOR with TOOL KIT 18/20 GAGE PAYOFF DIRECTION D (left payoff) (contact Molex for payoff detail)	N/A	N/A	N/A	N/A	AVAILABLE
43	MOLEX	63865-8070	XX019828	02JN03	MX64 APPLICATOR TOOL KIT 18/20 GAGE	N/A	N/A	N/A	N/A	AVAILABLE
44	MOLEX	63865-8100	XX019829	02JN03	MX64 CRIMP APPLICATOR with TOOL KIT 22 GAGE PAYOFF DIRECTION D (left payoff) (contact Molex for payoff detail)	N/A	N/A	N/A	N/A	AVAILABLE
45	MOLEX	63865-8170	XX019830	02JN03	MX64 APPLICATOR TOOL KIT 22 GAGE	N/A	N/A	N/A	N/A	AVAILABLE
46	SPX	J35616-64	T.B.D.	02JN03	0.64mm PROBE TOOL (for rcpt)	N/A	N/A	N/A	N/A	AVAILABLE
47	SPX	J35616-64A	T.B.D.	02JN03	0.64mm PROBE TOOL WITH EXT (for rcpt)	N/A	N/A	N/A	N/A	AVAILABLE
48	SPX	J35616-65	T.B.D.	02JN03	0.64mm PROBE TOOL WITH EXT (for pin)	N/A	N/A	N/A	N/A	AVAILABLE
49	SPX	J35616-4A	T.B.D.	02JN03	2.8mm PROBE TOOL (for rcpt)	N/A	N/A	N/A	N/A	AVAILABLE
50	YAZAKI	X39899-J374	12094430	02JN03	2.8mm TERM SERVICE TOOL	N/A	N/A	N/A	N/A	AVAILABLE

002B

\* - MX123 DRESS COVER 73/80/66 CKT MATES TO ANY MX123 HARN CONN ASSY SHOWN ON TABLE ABOVE



PAGE TITLE  
COMPONENT TABLE

DRAWING NUMBER

12642695

DWG STATUS

ST REV PDI

R 002

PAGE NUMBER

5 OF 21

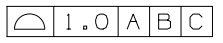


NOTES: UNLESS OTHERWISE SPECIFIED

1. MATERIAL FOR INTERFACE:

- A. RESIN:
  - 1. 30% G.F. PBT; 20% MAX. (BY WEIGHT) REGRIND.
  - 2. MATING CONNECTOR INTERFACE PART COLOR MUST BE SAME AS MATCHING KEYED HARNESS CONNECTOR ASSEMBLY.
  - 3. MUST BE VALIDATED FOR INDIVIDUAL DEVICE APPLICATION REQUIREMENTS.
- B. 0.64MM PINS:
  - 1. BASE MATERIAL: COPPER ALLOY; CONDUCTIVITY >= 28% IACS AT 20°C; TENSILE STRENGTH >= 635 N/mm<sup>2</sup>; SURFACE ROUGHNESS R<sub>a</sub> 6 MAX.
  - 2. PLATING FINISH: SILVER (Ag). PLATING TO BE 1.9-3.3 μm ELECTRODEPOSITED SEMI-BRIGHT SILVER OVER 1.25-2.25 μm DUCTILE SULPHAMATE NICKEL PER NOTE 1(D).
  - 3. ANTI-TARNISH: SYNTHETIC HYDROCARBON CONTACT SURFACE FINISH OR EQUIVALENT APPLIED WITHOUT VOID TO CONTACT AREA (MIN 3.7mm FROM PIN TIP).
- C. 2.8MM BLADE:
  - 1. BASE MATERIAL: COPPER ALLOY; CONDUCTIVITY >= 28% IACS AT 20°C; TENSILE STRENGTH >= 350 N/mm<sup>2</sup>; SURFACE ROUGHNESS R<sub>a</sub> 6 MAX.
  - 2. PLATING FINISH: TIN. PLATING TO BE 2.5-5.0 μm ELECTRODEPOSITED TIN, MATTE FINISH OVER 1.25-2.5 μm DUCTILE SULPHAMATE NICKEL PER NOTE 1(D).
- D. PLATING REQUIREMENTS:
  - 1. SILVER PLATING
    - a. 99.5% PURE SEMI-BRIGHT WITH NO ORGANIC BRIGHTNERS OR CHROMATES.
  - 2. NICKEL PLATING
    - a. ELECTRODEPOSITED DUCTILE SULFAMATE NICKEL WITH A NON-BRIGHTENED FINISH. NO ORGANIC OR BRIGHTENING AGENTS SHALL BE ALLOWED.
    - b. SHALL ONLY BE USED AS AN UNDERLYING PLATING AND MAY NOT BE USED AS AN ELECTRICAL CONTACT SURFACE PLATING.
    - c. SHALL BE NODULE FREE WHEN VIEWED AT 10X MAGNIFICATION IN MEASURED IN CONTACT SURFACE AREA PLUS 0.5MM PERIMETER AROUND THE CONTACT SURFACE AREA.
    - d. ALL PLATINGS SHALL HAVE A 1.0% MAXIMUM BY WEIGHT IMPURITIES. IMPURITIES ARE DEFINED AS ALL ELEMENTS NOT THE PRIMARY PLATING OR HARDENING AGENT IF APPLICABLE, AS DETERMINED BY WET CHEMICAL ANALYSIS OR AUGER METHOD. NO SINGLE IMPURITY SHALL EXCEED 0.1% MAXIMUM BY WEIGHT.
  - 3. TESTING
    - a. THICKNESS TO BE MEASURED IN CONTACT SURFACE AREA PLUS 0.5MM PERIMETER AROUND THE CONTACT SURFACE AREA AS DESIGNATED IN THE DRAWING. THICKNESS SHALL BE DETERMINED BY METHOD OF X-RAY (XRF).
    - b. PLATING ADHESION SHALL BE TESTED BY A BEND TEST FOR ALL METALS. THE TEST SAMPLE SHALL BE BENT 90 DEGREES TO DETERMINE DEPOSIT ADHESION. TESTING SHALL BE COMPLETED IN ACCORDANCE WITH ASTM SPEC B571.


2. DESIGN - GENERAL:

- A. THIS IS A 100% CAD GENERATED PART. THE CAD MATHEMATICAL DATA IS THE MASTER FOR THIS PART. FOR DIMENSIONAL OR ANY INFORMATION NOT SHOWN ON THIS DRAWING, ANALYZE THE CAD MODEL.
- B. TOLERANCES:
  - 1. LINEAR
    - 0.X ± 0.30
    - 0.XX ± 0.10
    - 0.XXX ± 0.10
  - 2. ANGULAR X° ± 3°
  - 3. 
- C. MINIMUM WALL THICKNESS REQUIRED: 1.3mm.
- D. CORNERS SHOWN AS SHARP TO BE R 0.2 MAX.
- E. LETTERING SHALL BE 0.15 MAX RAISED IN 0.20 MAX RECESS PAD. THIS INCLUDES MATERIAL CODE, RECYCLING CODE, CAVITY ID AND DATE CODE.
- F-1. PARTS MUST BE FREE OF DISCOLORATION, SALT RESIDUE AND OTHER IMPERFECTIONS THAT AFFECT FIT OR FUNCTION.
- F-2. SCRATCHES OR DENTS NOT TO EXCEED 0.013mm IN DEPTH.
- G. FOLLOWING PRODUCTION CODES TO BE PERMANENTLY MARKED & HUMAN READABLE TO A LETTER HEIGHT OF 1.5 ± 0.5MM X 0.3 MAX DEEP
  - 1. MATERIAL #: XXXXX-XXXX
  - 2. DATE CODE: JJYY (JULIAN DAY, LAST DIGIT OF YEAR)
  - 3. INSPECTION MACHINE CODE + SERIAL #: X\_XXXXX

3. DESIGN - MANUFACTURING:

- A. DRAFT TO BE WITHIN TOLERANCE.
- B. ALLOWABLE FLASH MAX 0.2 HIGH X MAX 0.13 THICK.
- C. ALLOWABLE PARTING LINE MISMATCH 0.2 MAX.
- D. EJECTOR PINS MARK TO BE FLUSH TO 0.25 MAX DEPRESSED.
- E. ALLOWABLE GATE VESTIGE FLUSH TO 0.25 MAX PROTRUSION.
- F. NO EXTERNAL MOLD RELEASE AGENT ALLOWED DURING MANUFACTURING.
- G. STEEL THAT FORMS THE INDICATED SURFACE MUST BE POLISHED WITH A DIAMOND FINISH (SPI A-2) OVER THE FULL PERIPHERY OF THE TOOL. SURFACE MUST HAVE NO MISMATCH.
- H. ANY PROCESS LUBRICANT REMAINING ON THE TERMINAL MUST NOT VARNISH OR DEGRADE IT'S ELECTRICAL PERFORMANCE UP TO A MAXIMUM CLASS AMBIENT TEMPERATURE PER SAE USCAR-2 FOR 1008 HOURS. PROCESS LUBRICANTS SHOULD BE APPROVED BY THE RESPONSIBLE ENGINEER.
- J. OPTIONAL FEATURES PROVIDED FOR AUTOMATION.
- K. PART MUST BE FREE FROM BURRS AND SHARP EDGES, WHICH MIGHT BE DETRIMENTAL TO SATISFACTORY ASSEMBLY, SAFE HANDLING OR FUNCTION OF PART.
- L. PARTS AS DELIVERED TO ASSEMBLY SHALL BE CLEAN AND FREE OF DEBRIS, RESIDUAL ABRASIVE MATERIAL AND CORROSION PRODUCTS ADVERESLY AFFECTING FUNCTION OR APPEARANCE.
- M. RESTRICTED AND REPORTABLE SUBSTANCES FOR PARTS PER GMW3059.

002C

	PAGE TITLE	DRAWING NUMBER	DWG STATUS			PAGE NUMBER	
	NOTES		12642695	ST	REV	PDI	6 OF 21
				R	002		

NOTES: UNLESS OTHERWISE SPECIFIED

4. SYSTEM REQUIREMENTS:

A. HARNESS CONNECTOR IS COMPATIBLE WITH THE FOLLOWING SAE WIRE SIZE NO'S:

- 14, MEETING SAE J1128
- 18, MEETING SAE J1128, MAX O.D. OF 2.06 MM
- 20, MEETING SAE J1128
- 22, MEETING SAE J1128, MIN O.D. OF 1.47 MM

B. CABLE TIE SPECIFICATIONS:

- 1. CABLE TIE:
  - TENSILE RATING: 220N / (50lbs) MIN
  - TIE LENGTH: 186mm MIN
  - TIE WIDTH: 4.75mm MAX
  - MATERIAL: NYLON
- 2. INSTALLATION:
  - CABLE TIE TENSION: 190N MIN
- 3. DRESSED WIRE BUNDLE PACKAGING: SEE FIG. 1

C. WHEN MATED WITH COMPONENT CONNECTOR INTERFACE AND/OR DRESS COVER, HARNESS CONNECTOR SYSTEM CONFORMS TO THE FOLLOWING:

- 1. SAE/USCAR-2, REV: 3 APRIL, 2001; CLASS 3
- 2. FIELD CORRELATED LIFE TEST, SAE/USCAR-20, NOV. 2001
- 3. GMW #3191 AUGUST 22, 2000 (DRAFT); TEMPERATURE CLASS 3, SEALING CLASS 1, VIBRATION CLASS 2
- 4. RESTRICTED AND REPORTABLE CHEMICALS PER GMW #3059, REV: D AUGUST 2002
- 5. TPA USER FORCES (FULLY POPULATED WITH TERMINALS)
  - a. REMOVAL FROM LOCK TO PRE-SET: <=120N

D. WIRE SPECIFICATIONS:

- 1. WIRE SURFACE MUST BE FREE OF SCRATCHES, GROOVES OR DENTS WHERE FUNCTIONAL

5. TERMINAL CURRENT RATINGS:

ALL TESTING DONE IN ACCORDANCE WITH USCAR-2 REV5 SECTION 5.3

A. MX64 RCPT TERM

- 1. MX64 RCPT TERM Ag 18/20 GAGE CRIMPED TO SAE WIRE SIZE NO.18 AND MATED TO MX123 0.64MM PIN: 11.3 AMPS
- 2. MX64 RCPT TERM Ag 22 GAGE CRIMPED TO SAE WIRE SIZE NO.22 AND MATED TO MX123 0.64MM PIN:8.5 AMPS

WIRE	CURRENT RATING			
	23°C	85°C	105°C	125°C
18AWG	11.3A	11.3A	9.5A	6.6A
20AWG	10.0A	10.0A	8.3A	5.7A
22AWG	8.6A	8.6A	7.1A	5.0A

B. 2.8MM RCPT TERM

- 1. 2.8MM RCPT TERM TIN 14 GAGE CRIMPED TO SAE WIRE SIZE NO.14 AND MATED TO MX123 2.8MM BLADE: 25.6 AMPS

6. CONTACT MOLEX AUTOMOTIVE FOR AVAILABLE CUSTOM PATTERNS OF CAVITIES OPEN FOR CIRCUITS



PAGE TITLE  
NOTES

DRAWING NUMBER

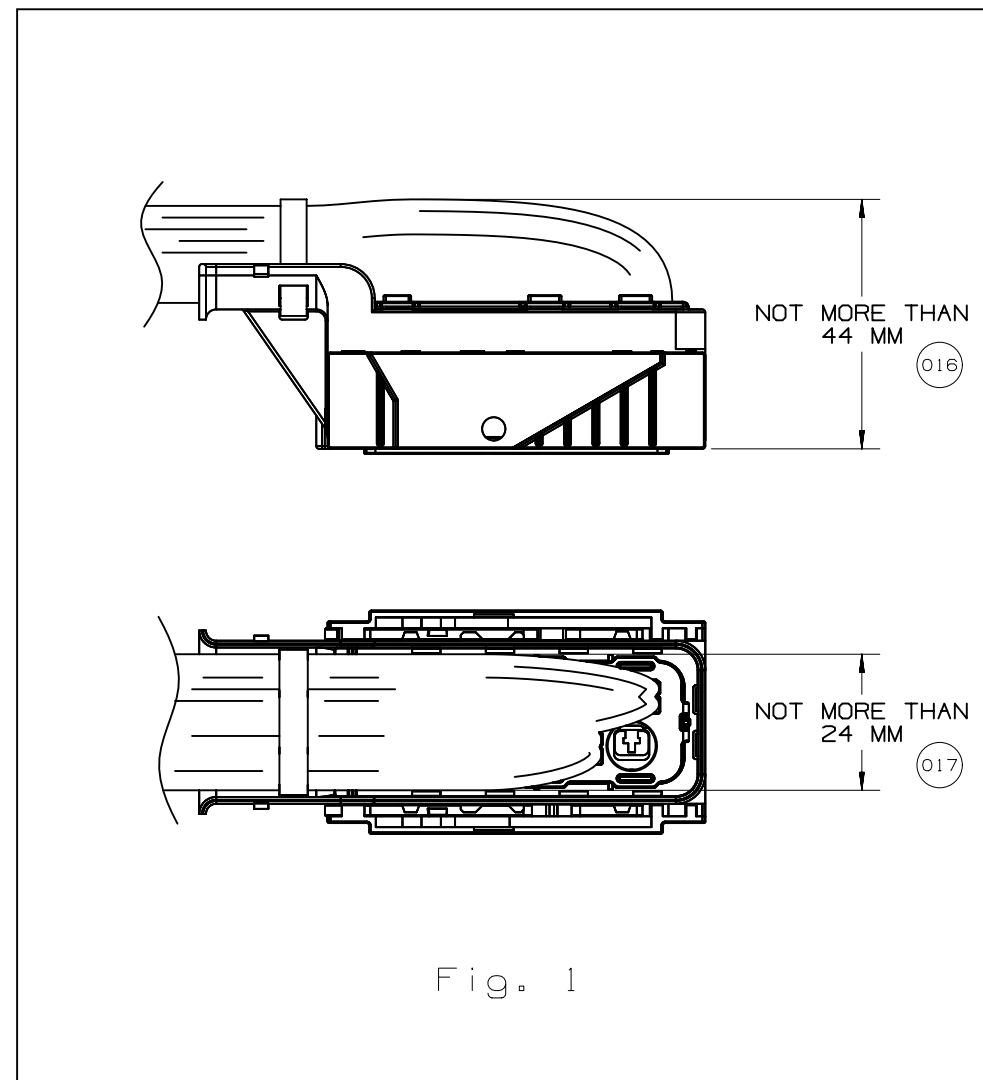
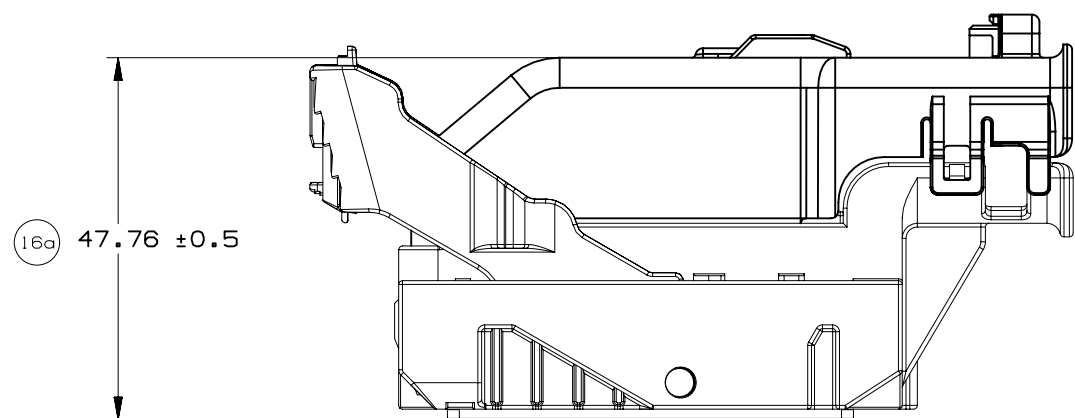
12642695

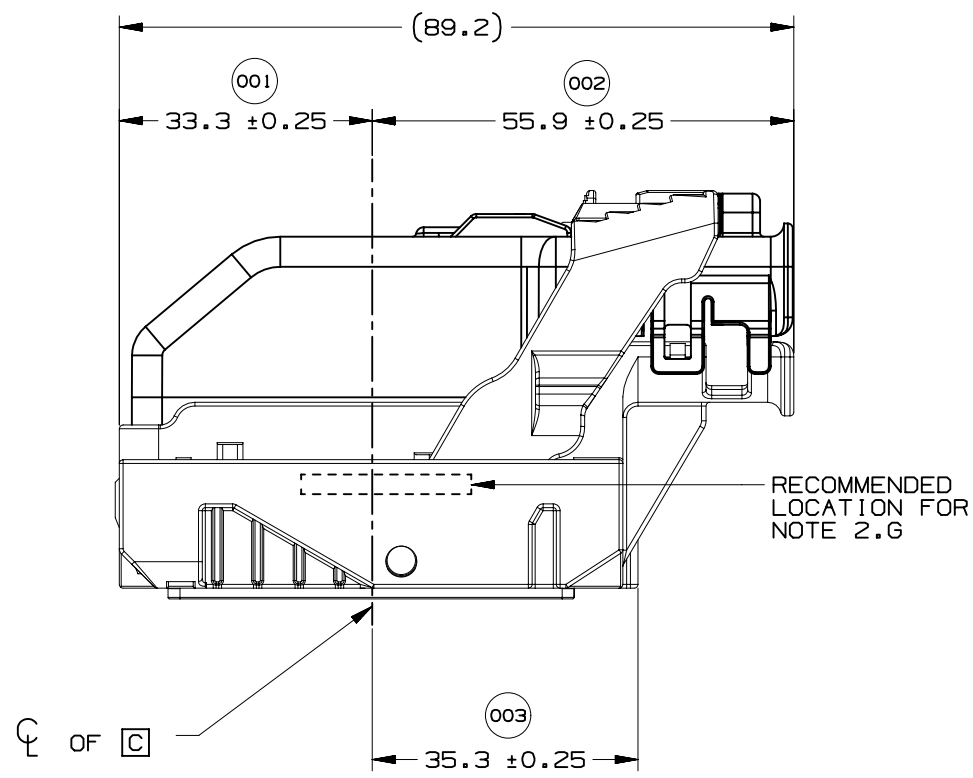
DWG STATUS

ST	REV	PDI
R	002	

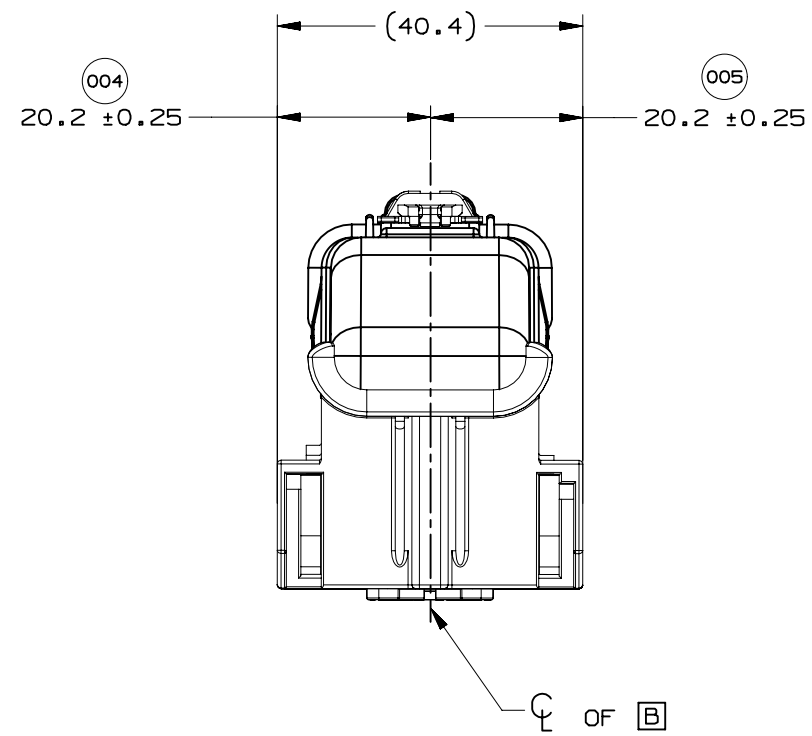
PAGE NUMBER

7 OF 21

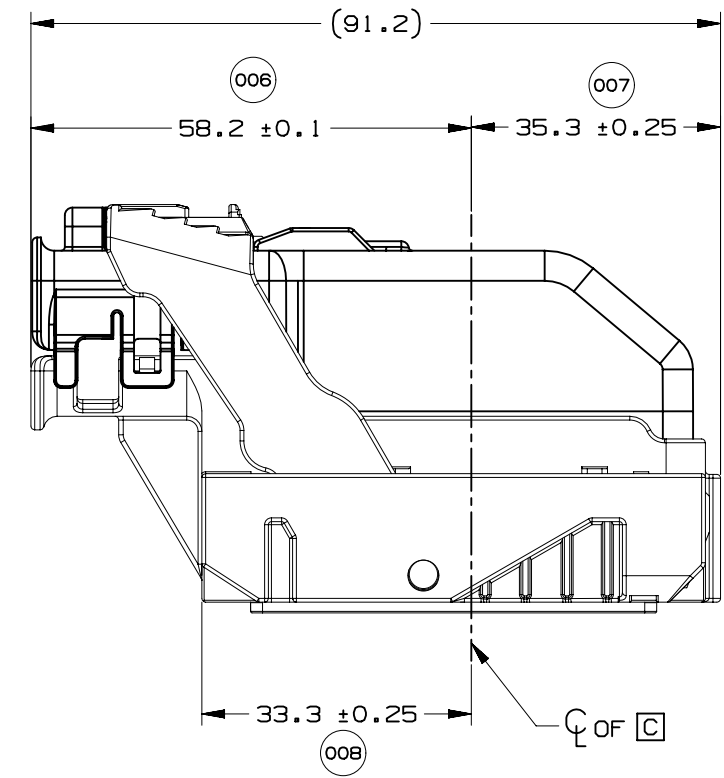




WIRE DRESS OPTION 0 SHOWN

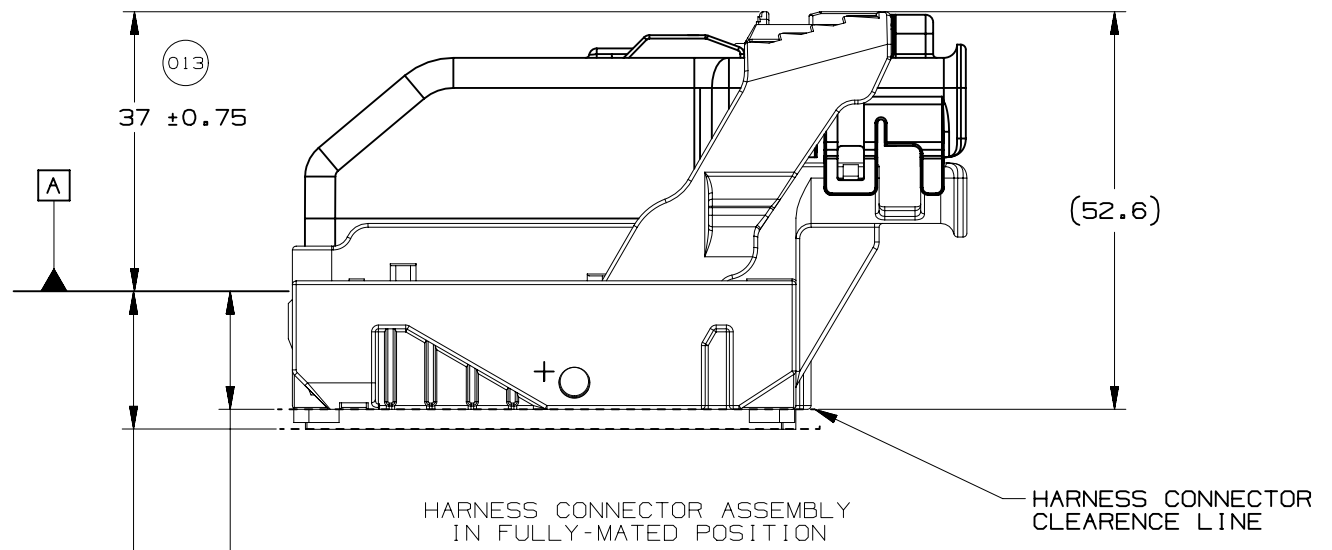
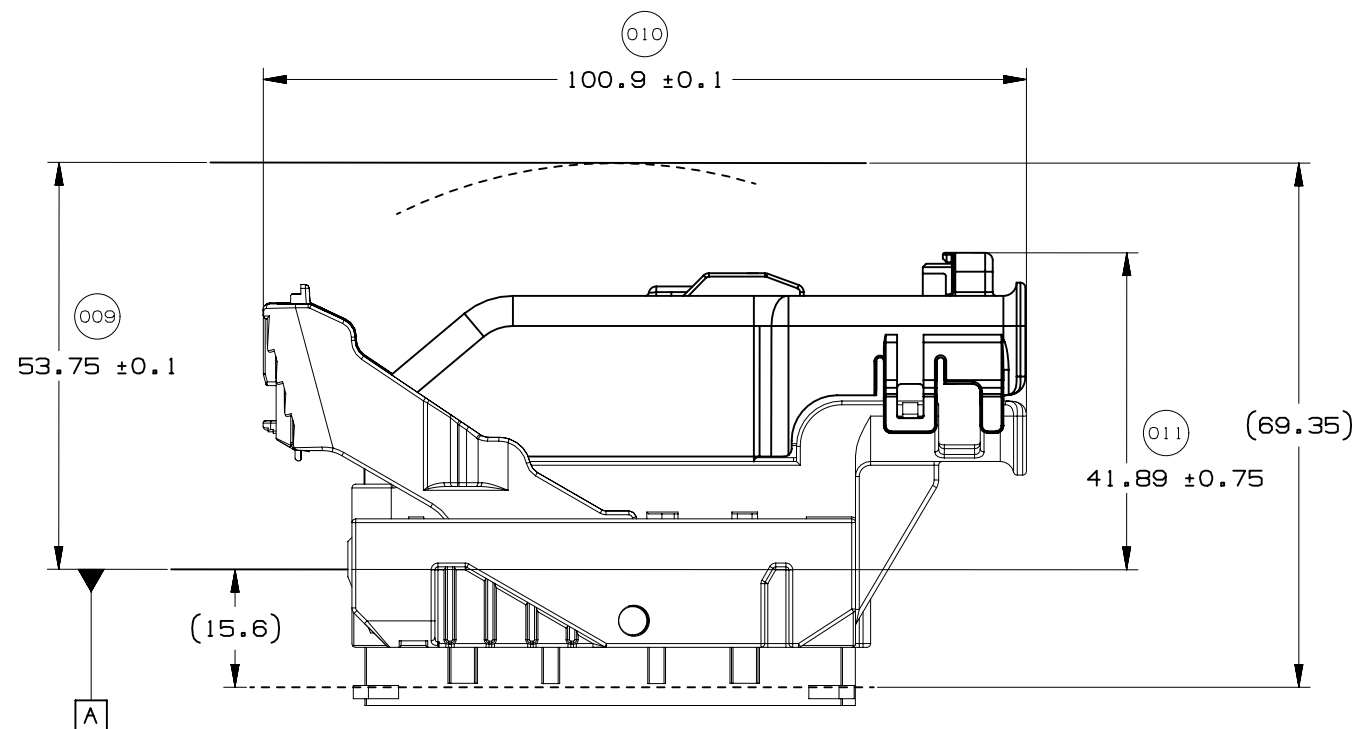
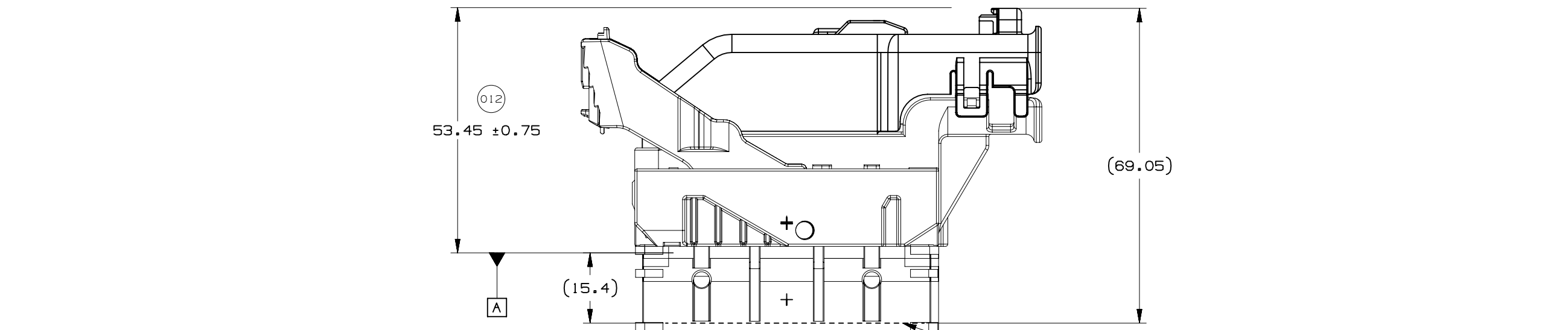


WIRE DRESS OPTION 0 SHOWN



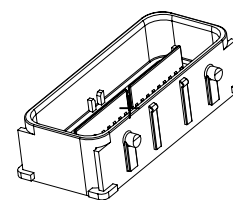
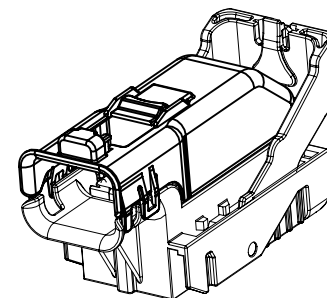
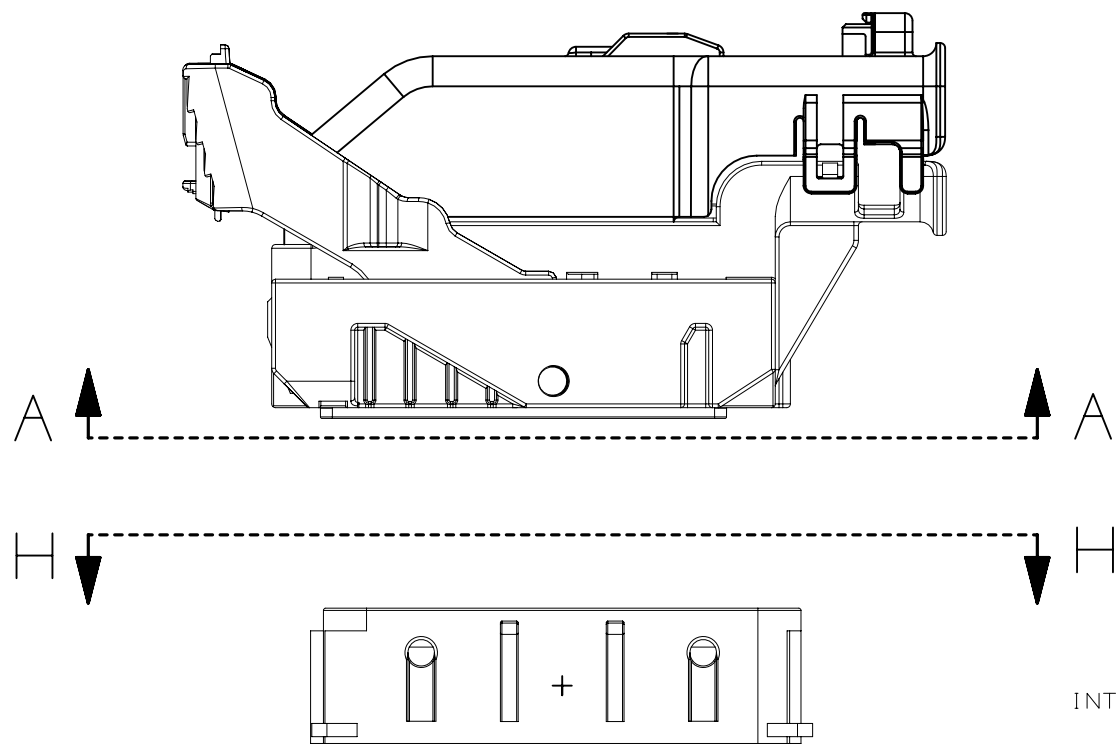
WIRE DRESS OPTION 9 SHOWN





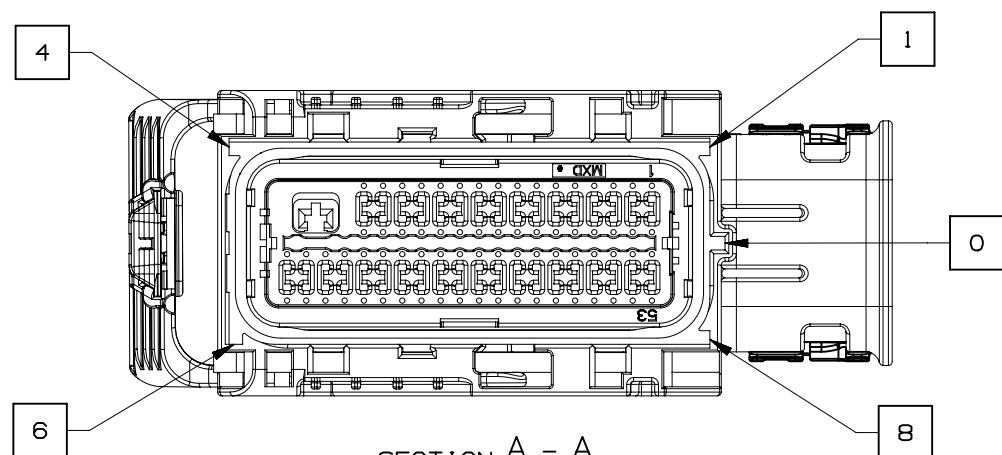
17.9 MIN. AT PAD LOCATION CLEARANCE REQUIRED FOR HARNESS CONNECTOR CONSTRUCTION BELOW THIS PLANE IS NOT CONTROLLED

015

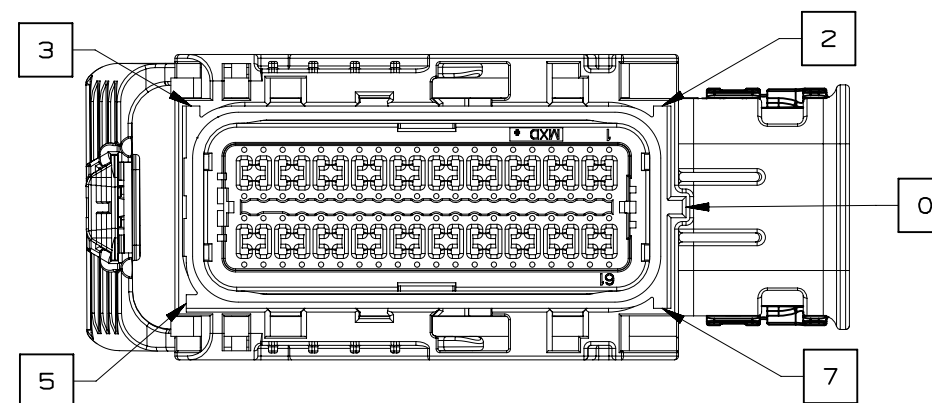


NOTE: REFERENCE THE COMPONENT TABLE FOR KEY OPTIONS AND CONFIGURATIONS

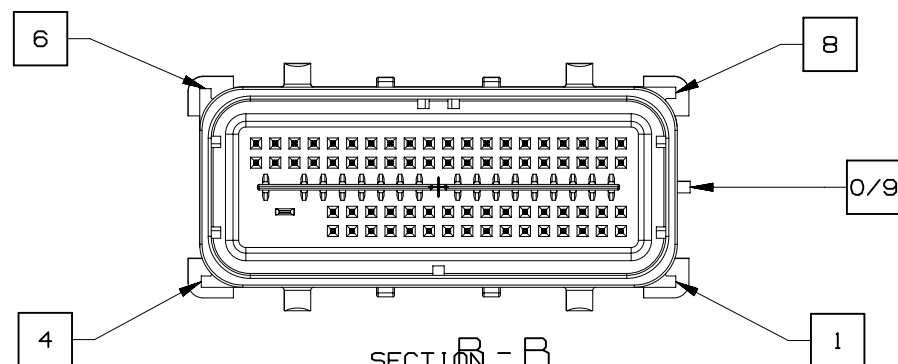
INTERFACE SIDE SHOWN ON ALL SECTION VIEWS



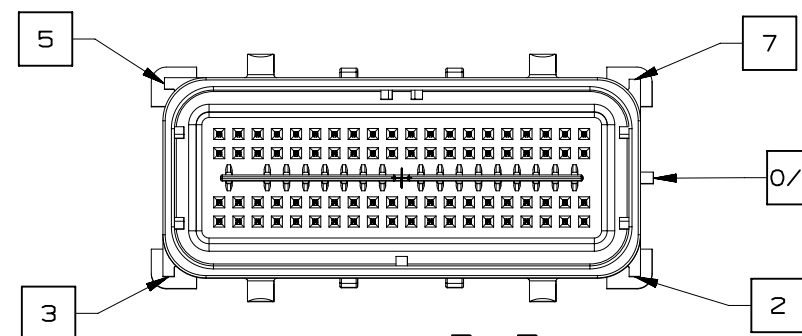
SECTION A - A  
KEY OPTION B SHOWN



SECTION A - A  
KEY OPTION K SHOWN



SECTION B - B  
KEY OPTION B SHOWN



SECTION B - B  
KEY OPTION K SHOWN

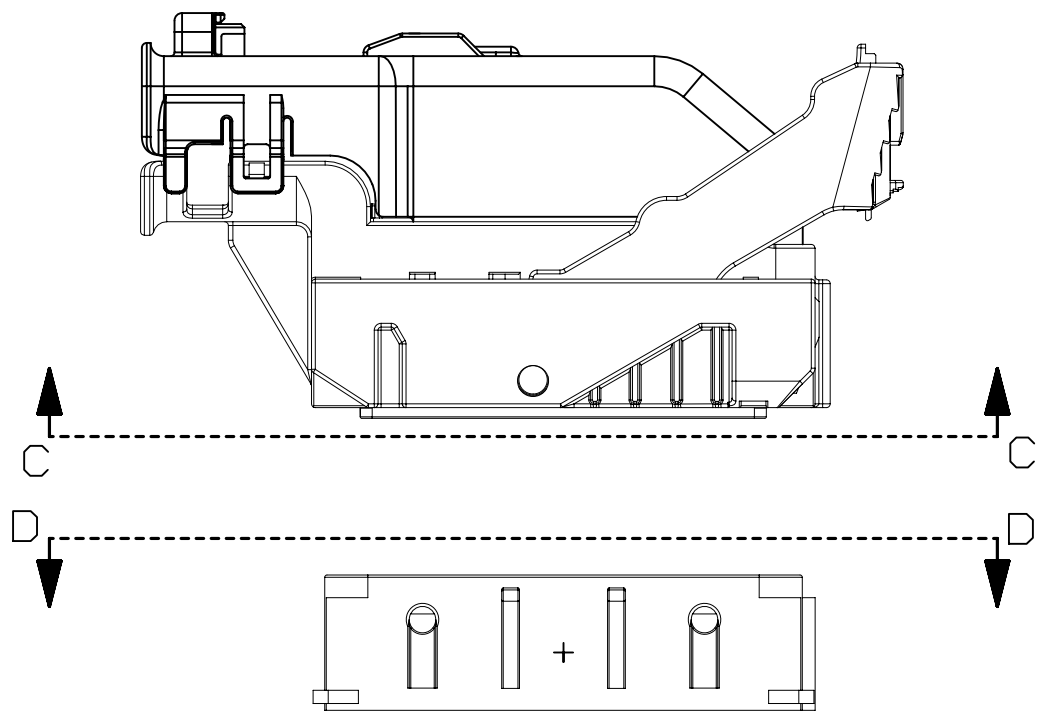


PAGE TITLE  
KEY ID REF - WIRE DRESS OPTION 0

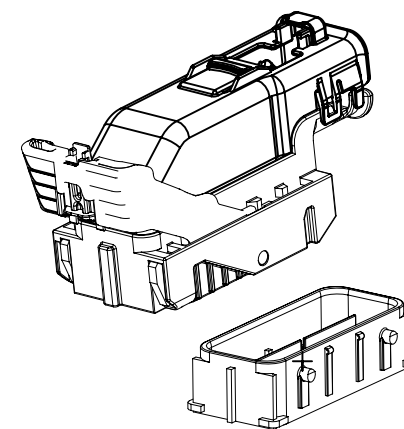
DRAWING NUMBER  
12642695

DWG STATUS		
ST	REV	PD1
R	002	

PAGE NUMBER  
11 OF 21

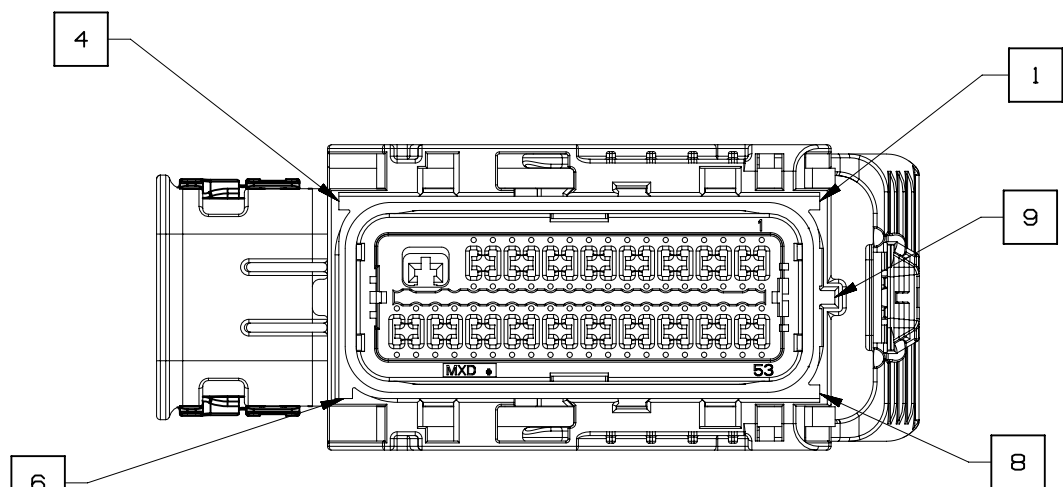


INTERFACE SIDE SHOWN ON ALL SECTION VIEWS

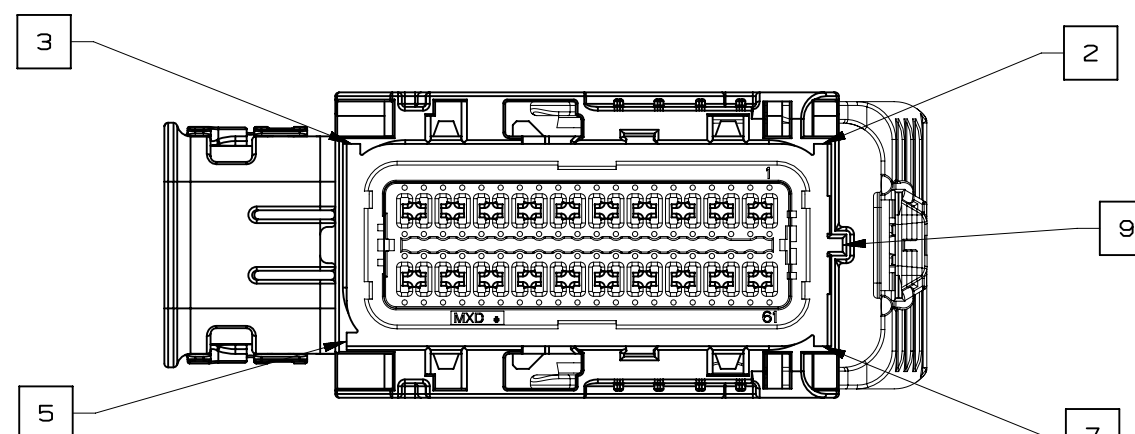


NOTE: REFERENCE THE COMPONENT TABLE FOR KEY OPTIONS AND CONFIGURATIONS

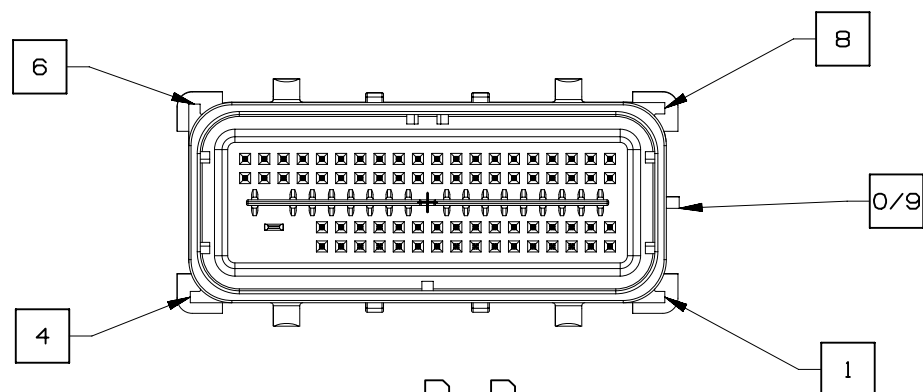
VIEW V



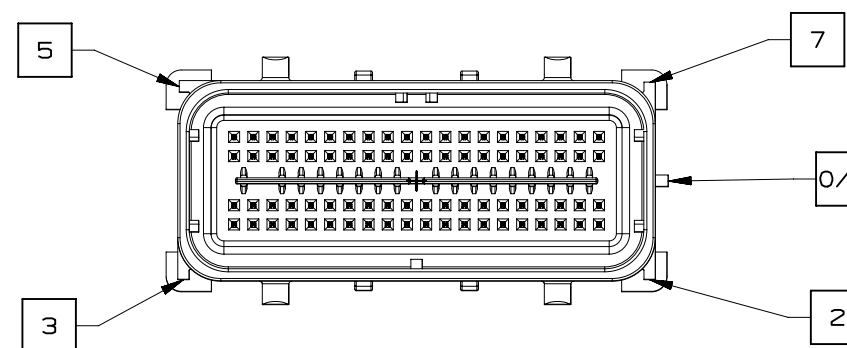
SECTION C-C  
KEY OPTION B SHOWN



SECTION C-C  
KEY OPTION K SHOWN



SECTION D-D  
KEY OPTION B SHOWN



SECTION D-D  
KEY OPTION K SHOWN

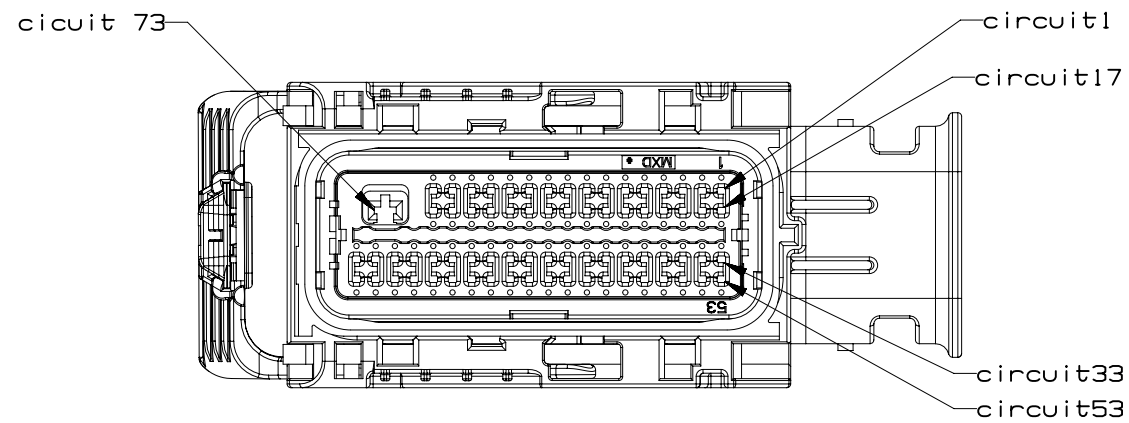


PAGE TITLE  
KEY ID REF - WIRE DRESS OPTION 9

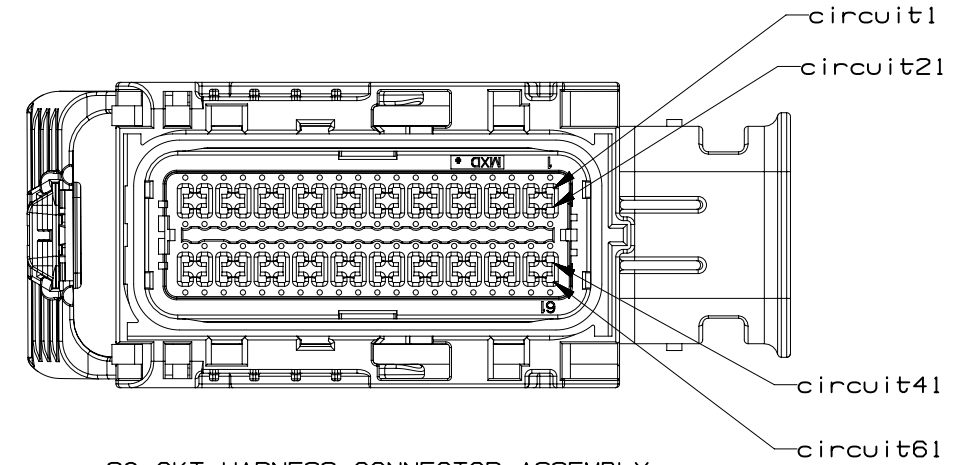
DRAWING NUMBER  
12642695

DWG STATUS		
ST	REV	PD1
R	002	

PAGE NUMBER  
12 OF 21

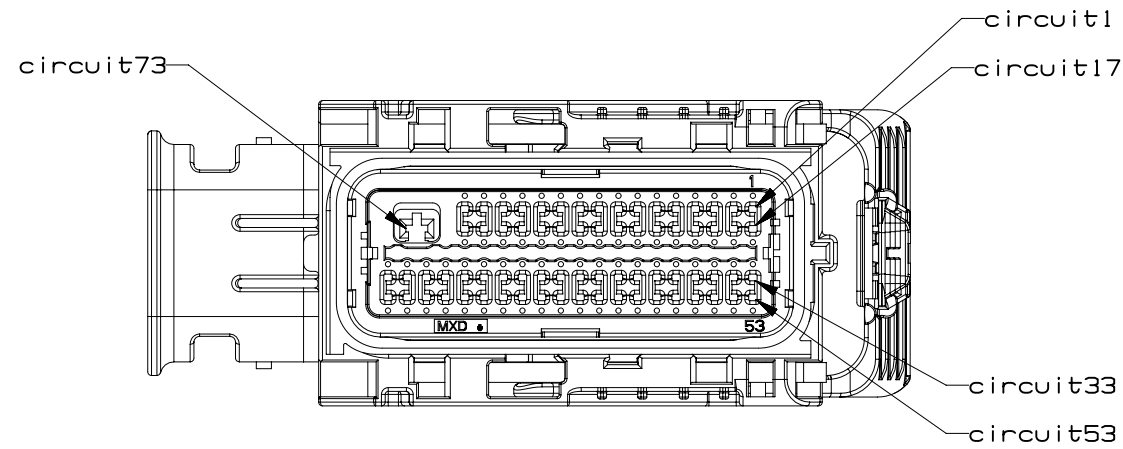


73 CKT HARNESS CONNECTOR ASSEMBLY  
WIRE DRESS OPTION 0

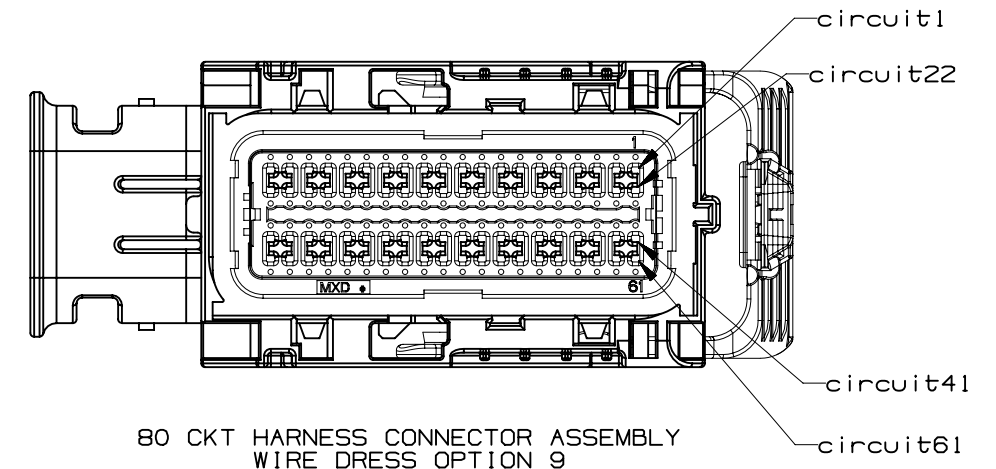


80 CKT HARNESS CONNECTOR ASSEMBLY  
WIRE DRESS OPTION 0

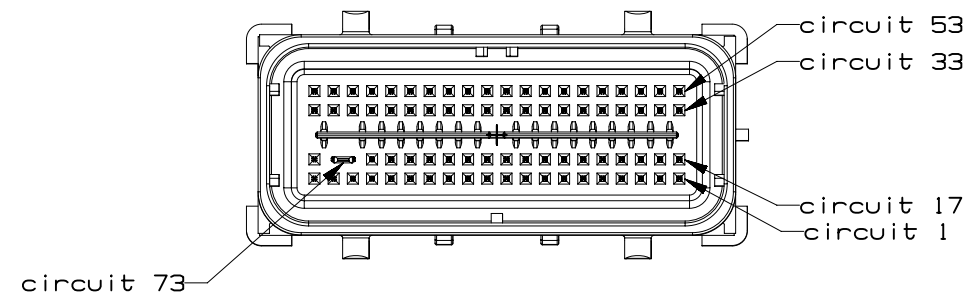
INTERFACE SIDE SHOWN ON ALL VIEWS



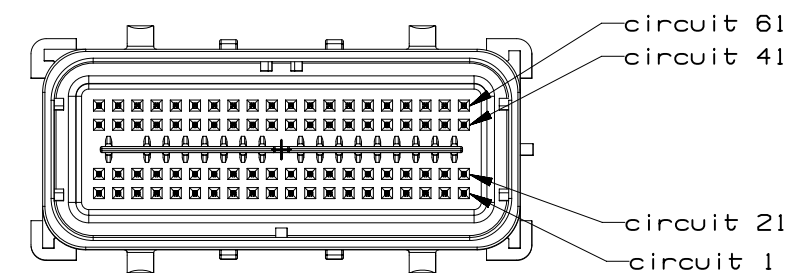
73 CKT HARNESS CONNECTOR ASSEMBLY  
WIRE DRESS OPTION 9



80 CKT HARNESS CONNECTOR ASSEMBLY  
WIRE DRESS OPTION 9



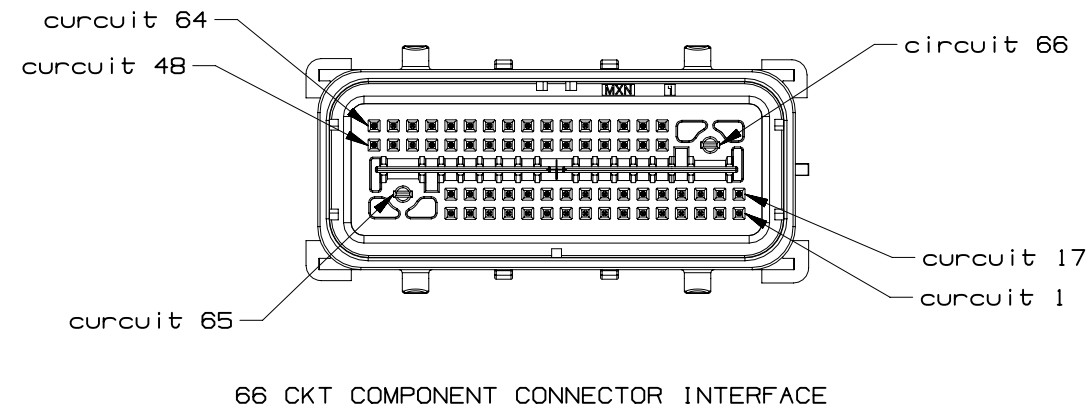
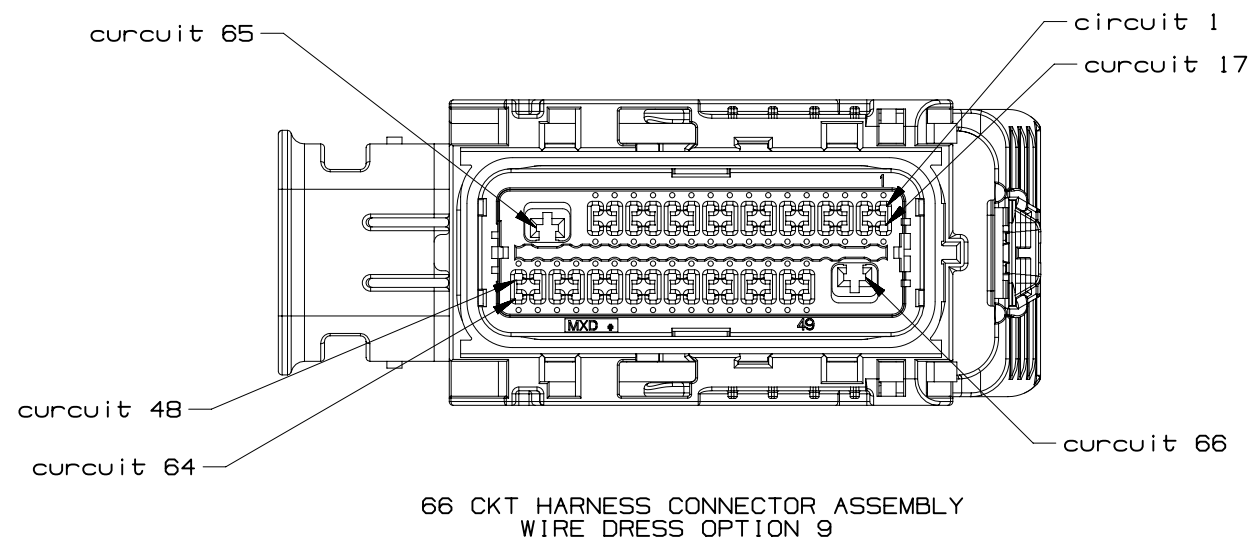
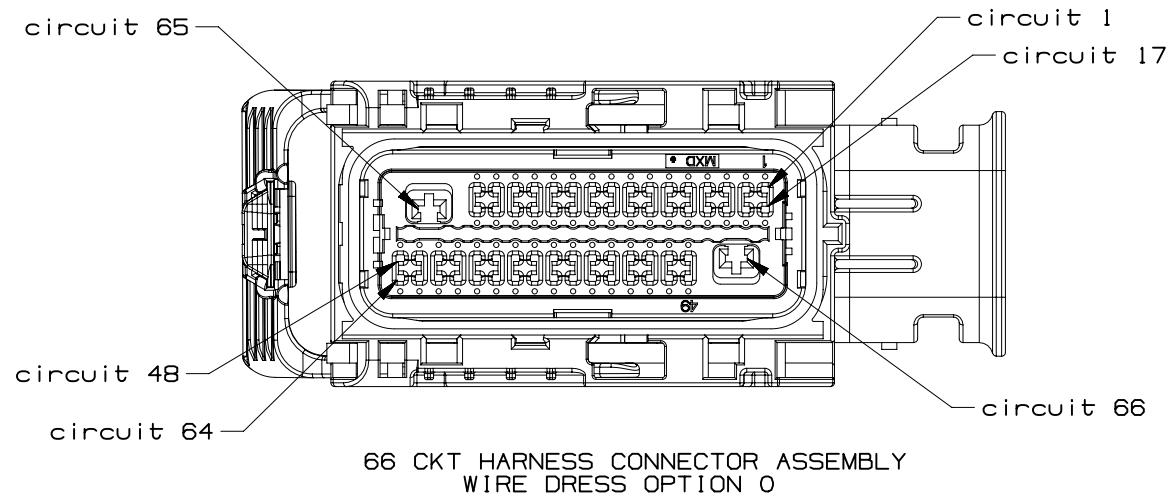
73 CKT COMPONENT CONNECTOR INTERFACE




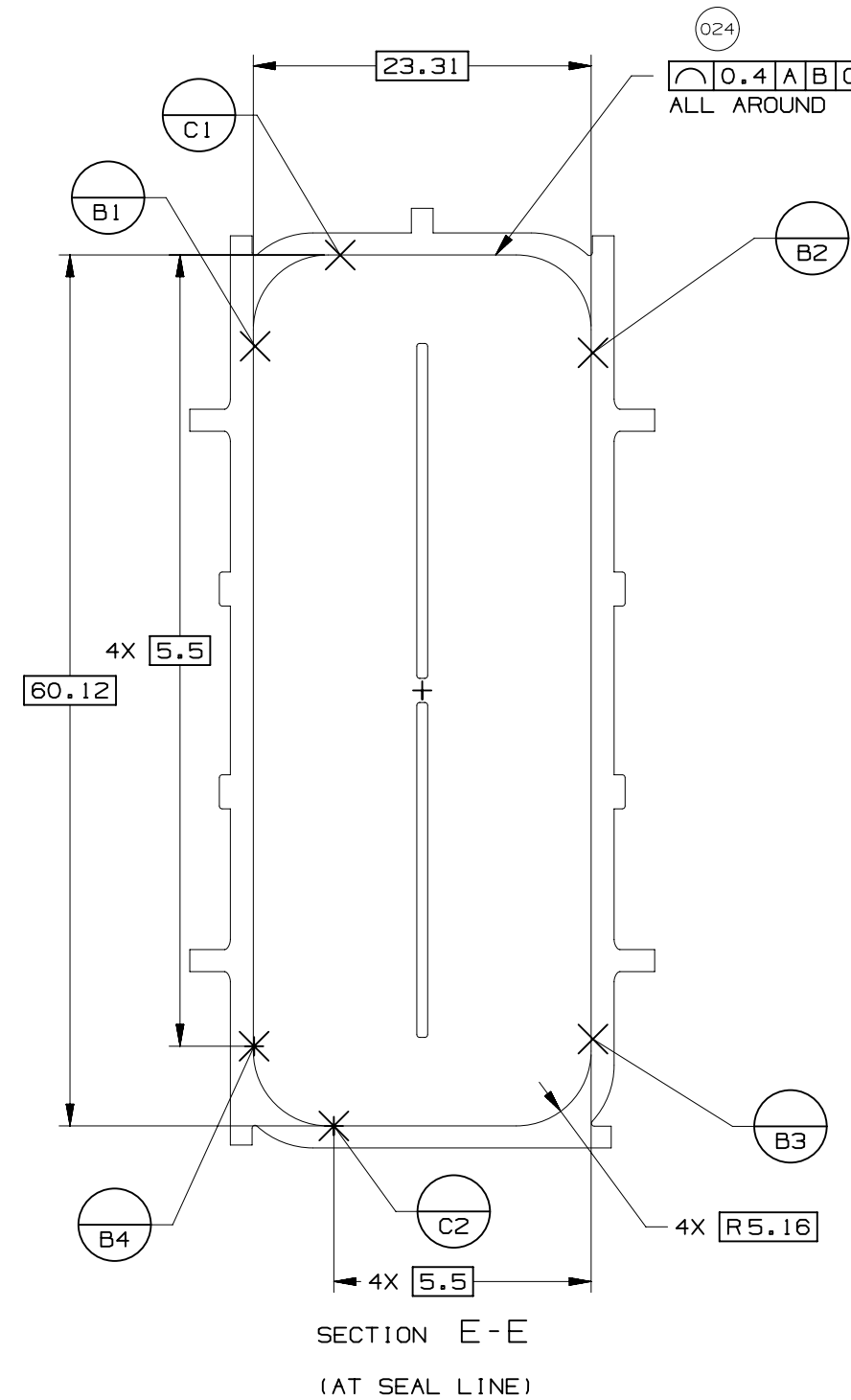
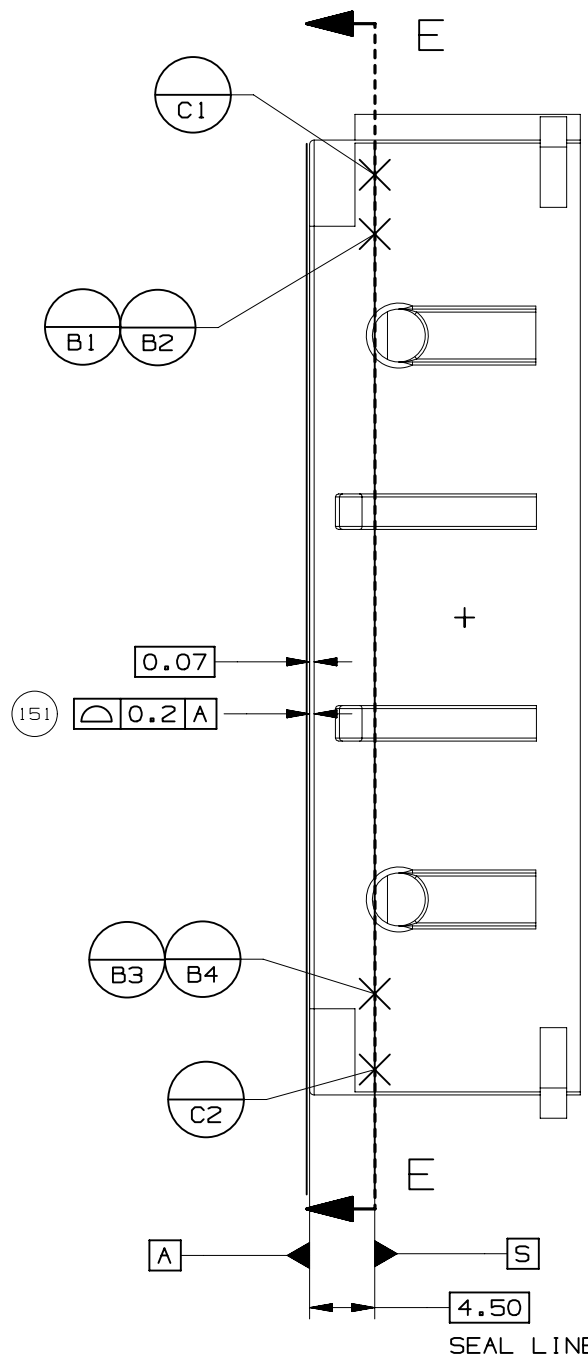
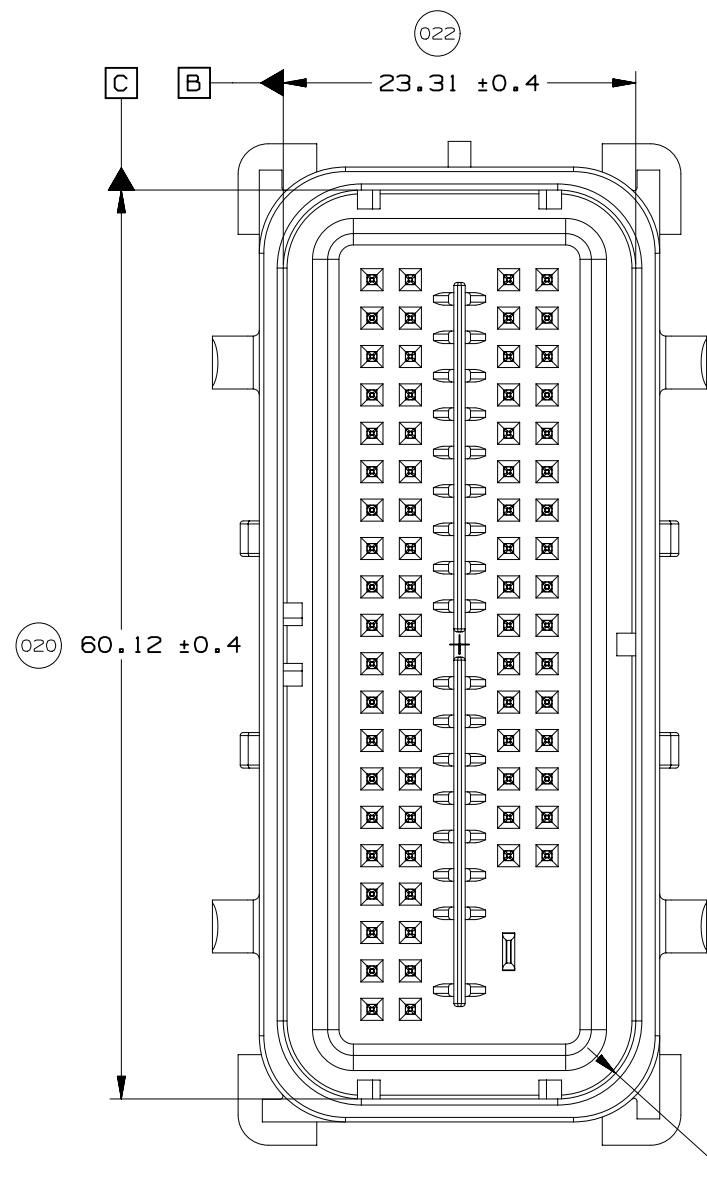
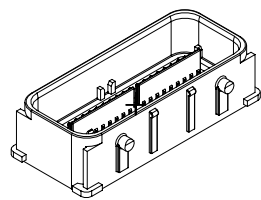
80 CKT COMPONENT CONNECTOR INTERFACE







	PAGE TITLE	DRAWING NUMBER	DWG STATUS			PAGE NUMBER	
	CIRCUIT CONFIGURATIONS		12642695	ST	REV	PDI	14 of 21
				R	002		



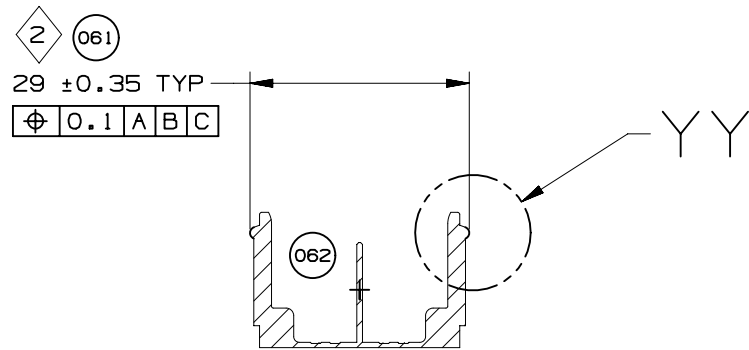
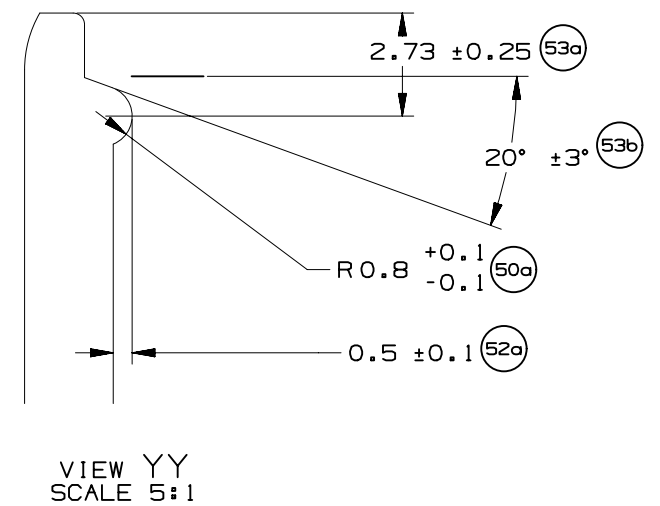
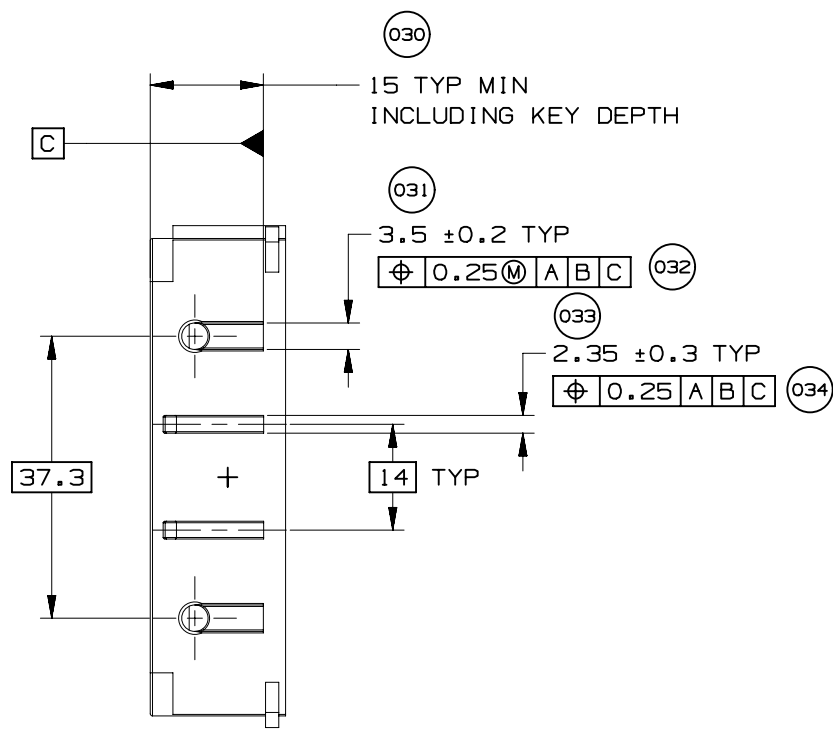
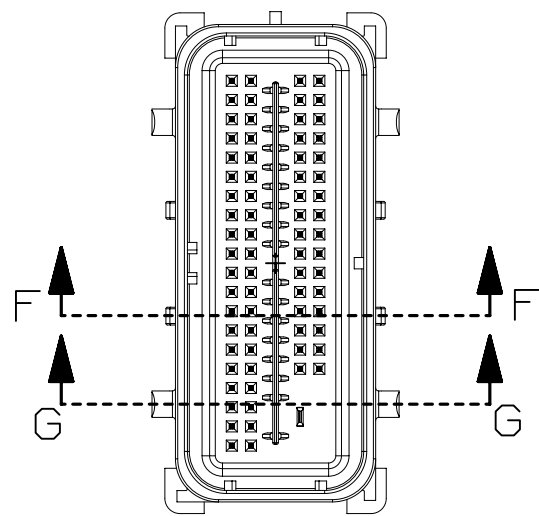
UNLESS SPECIFIED, TOLERANCE OF THE COMPONENT CONNECTOR INTERFACE TO BE  $\sqrt[0.13]{A B C}$



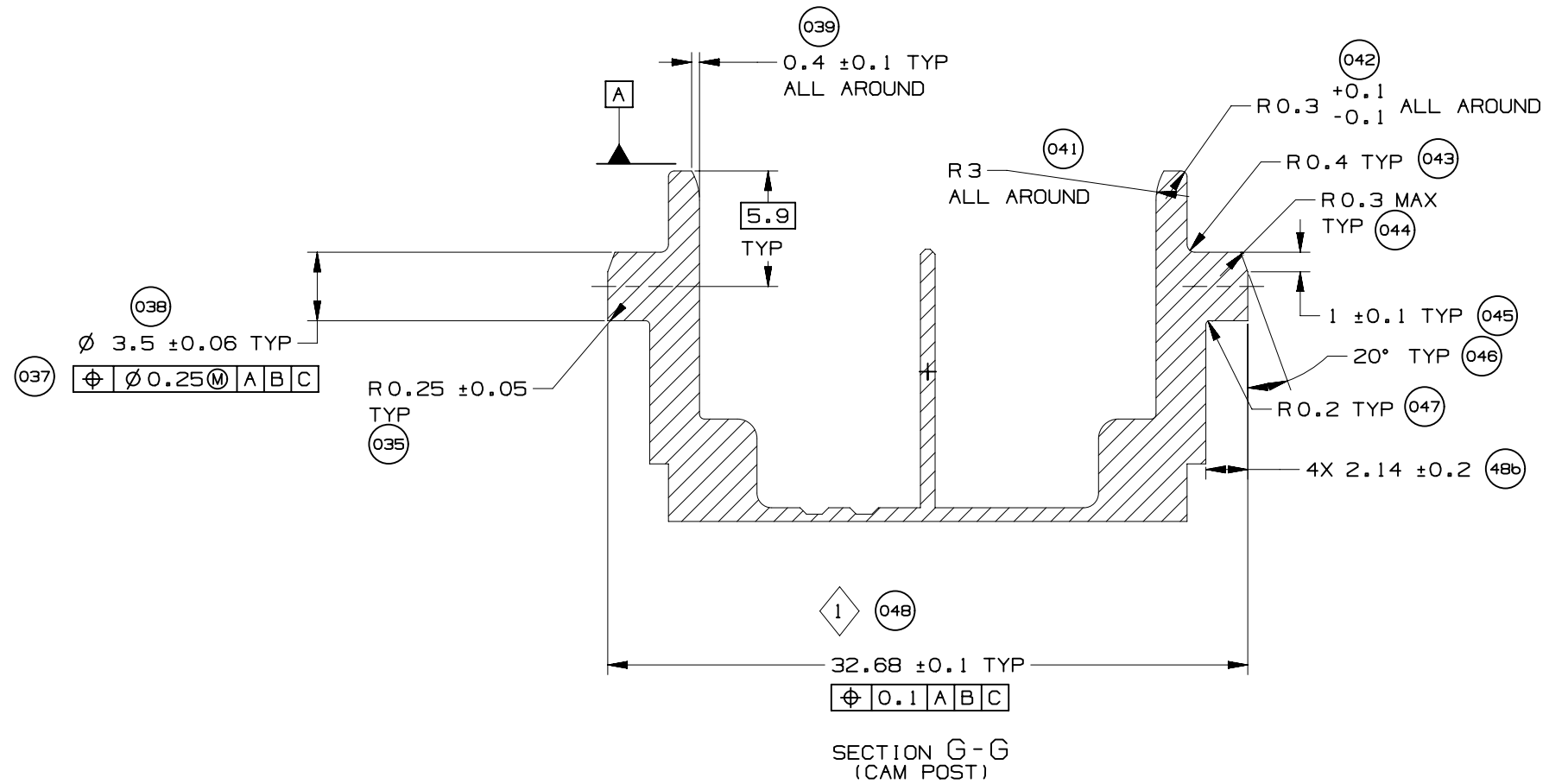
PAGE TITLE  
COMPONENT CONNECTOR INTERFACE

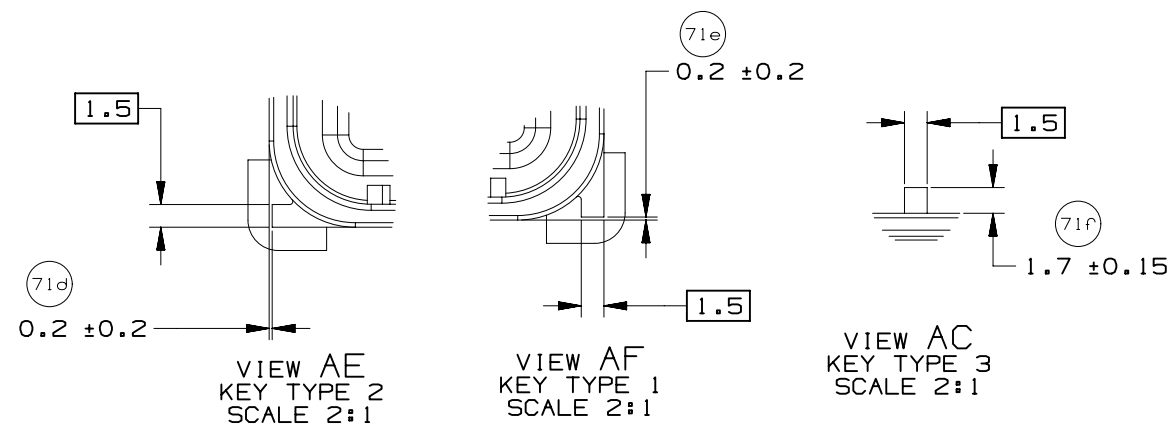
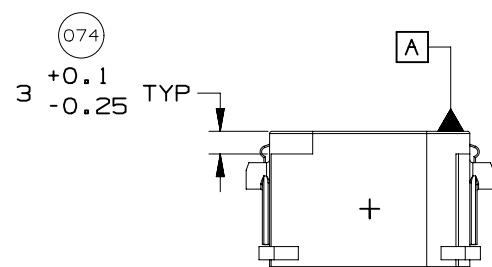
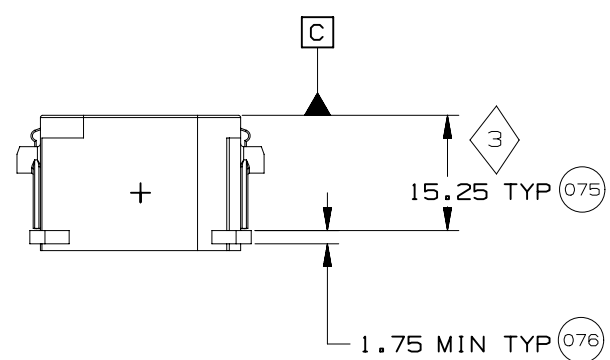
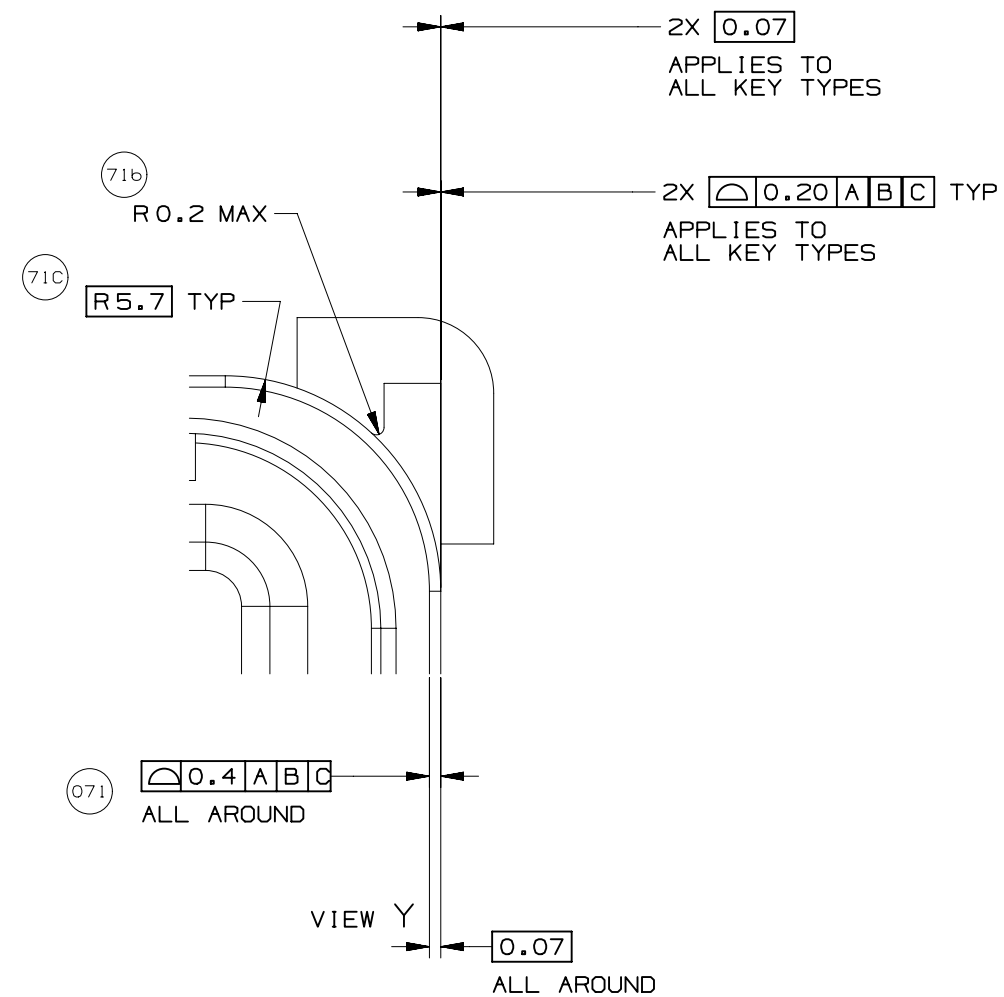
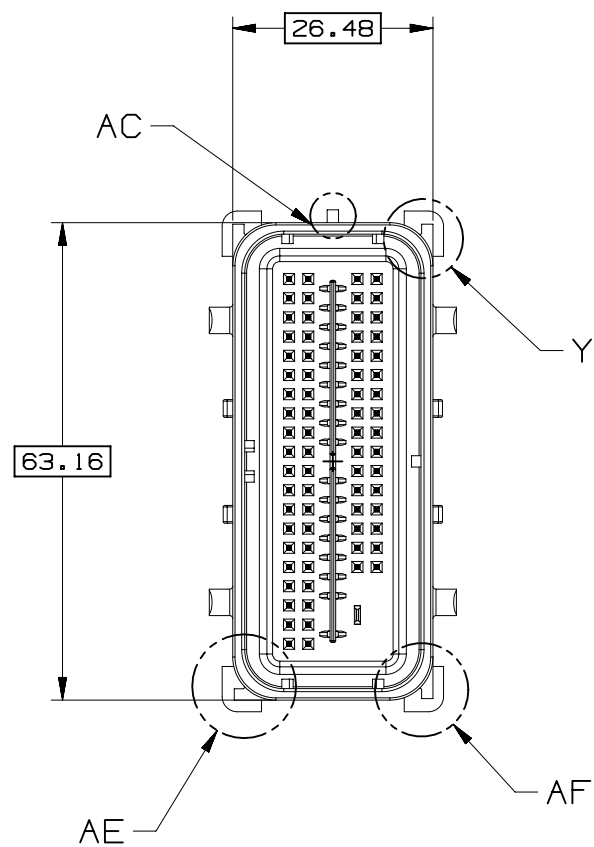
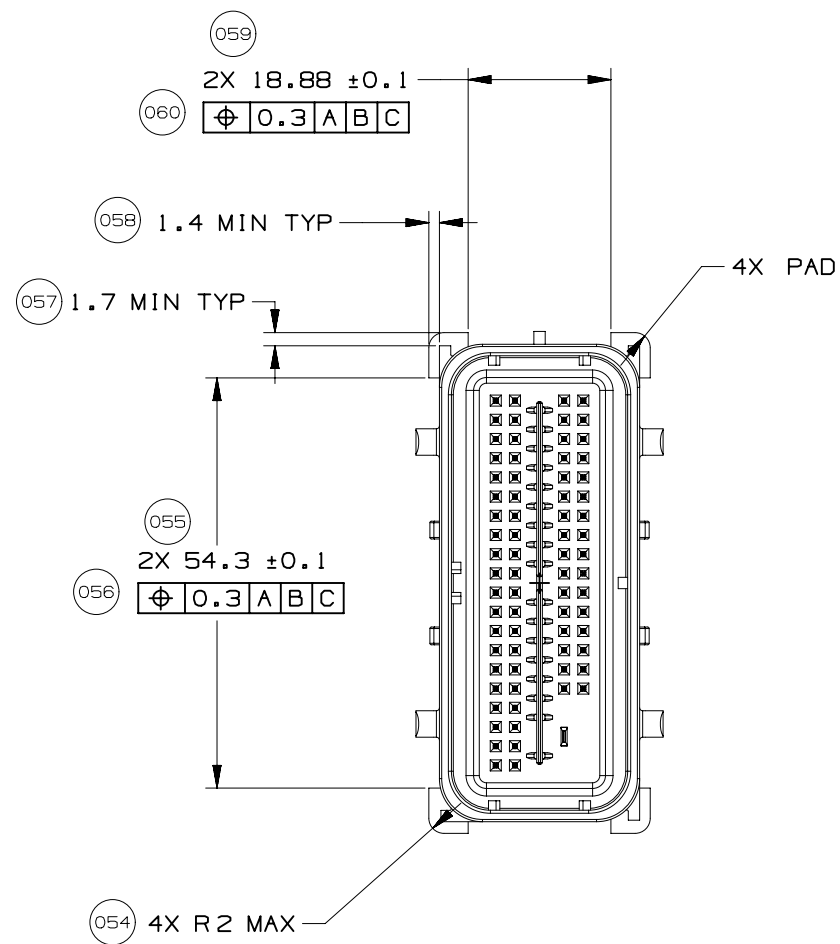
DRAWING NUMBER  
12642695

DWG STATUS			PAGE NUMBER
ST	REV	PD1	
R	002		15 OF 21



SECTION F-F

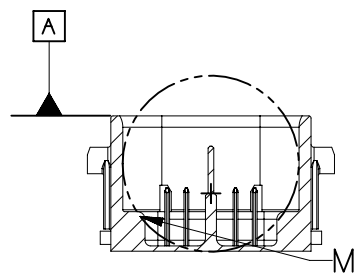
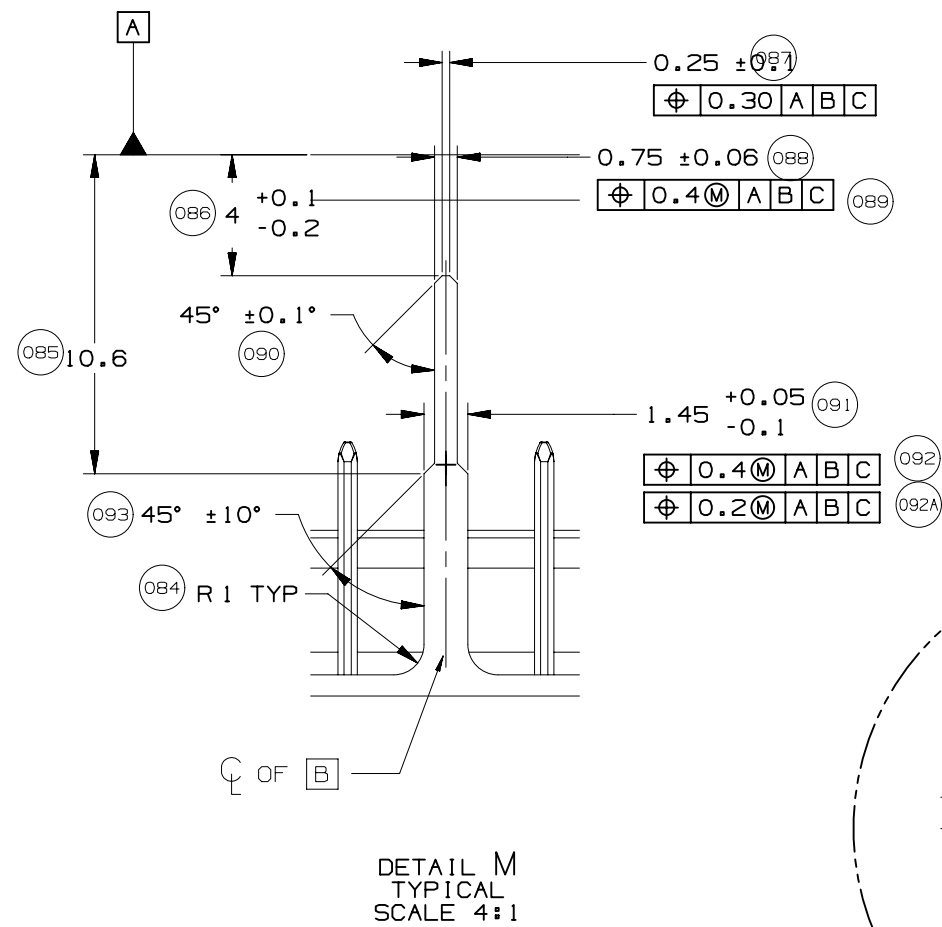
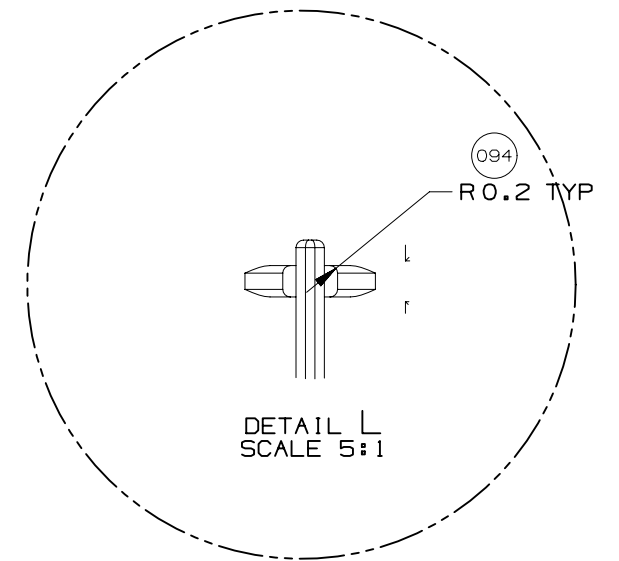
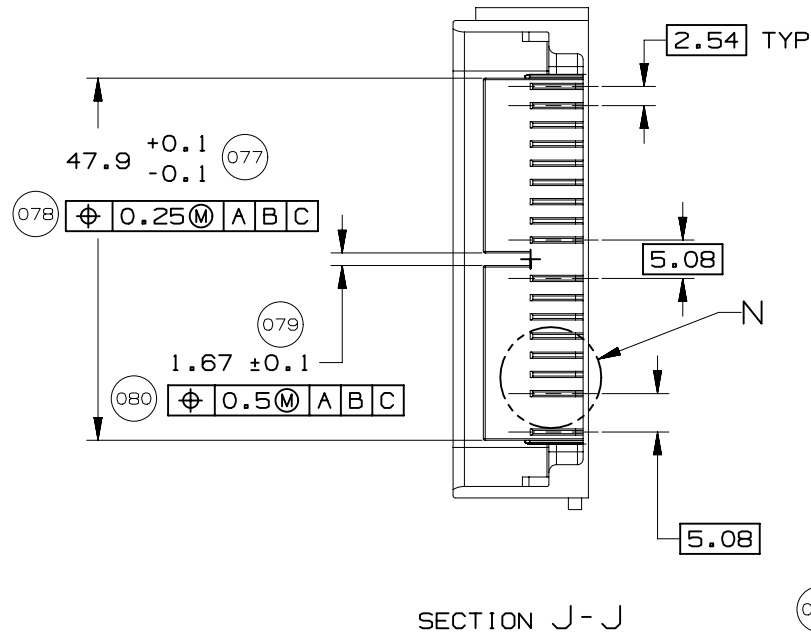
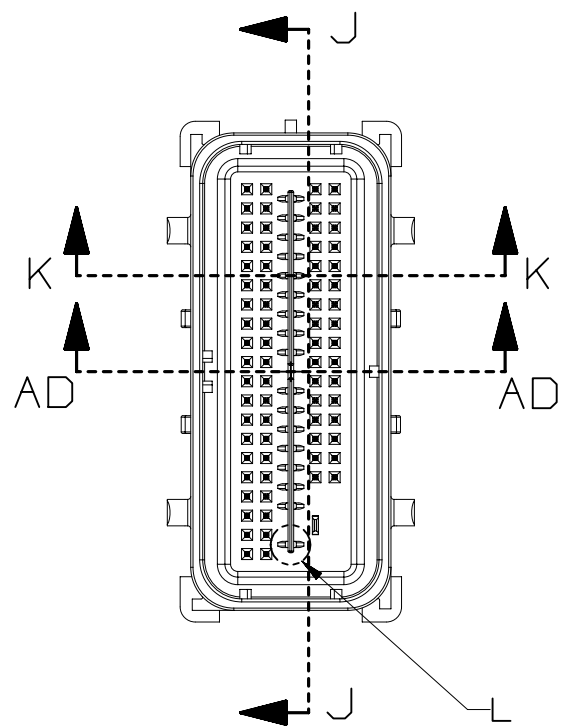




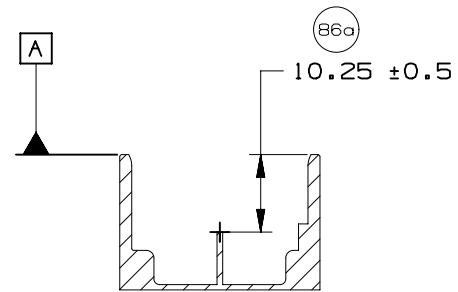
PAGE TITLE  
 COMPONENT CONNECTOR INTERFACE

DRAWING NUMBER  
 12642695

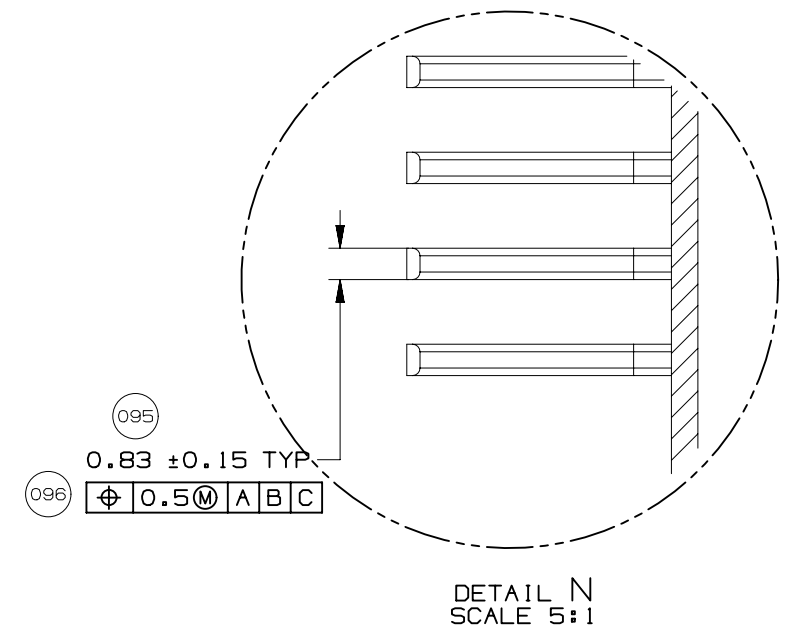
DWG STATUS			PAGE NUMBER	
ST	REV	PD1		
R	002		17	OF 21



SECTION K-K

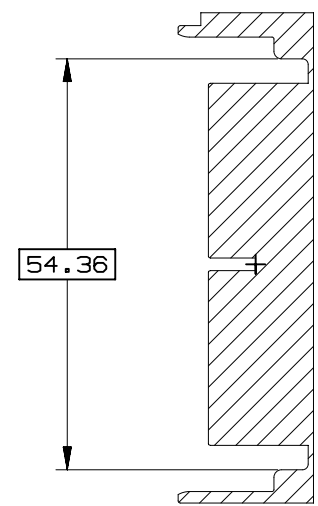
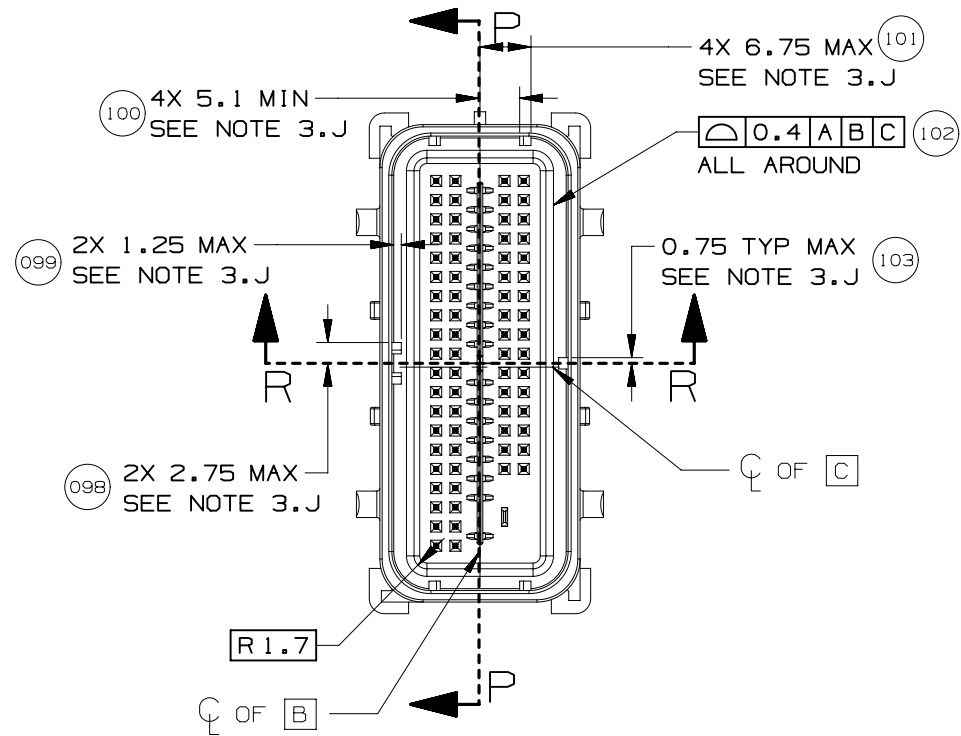


SECTION AD-AD

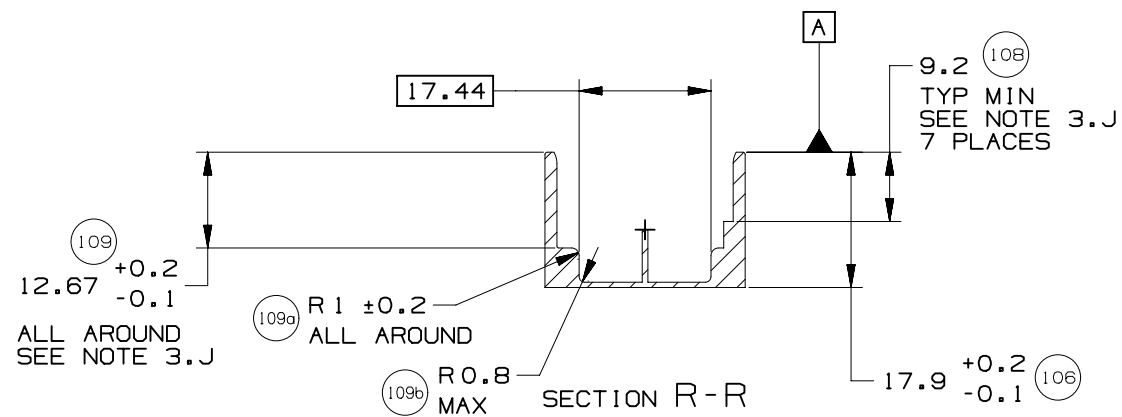


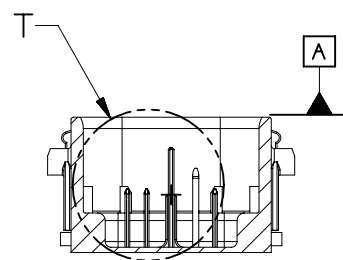
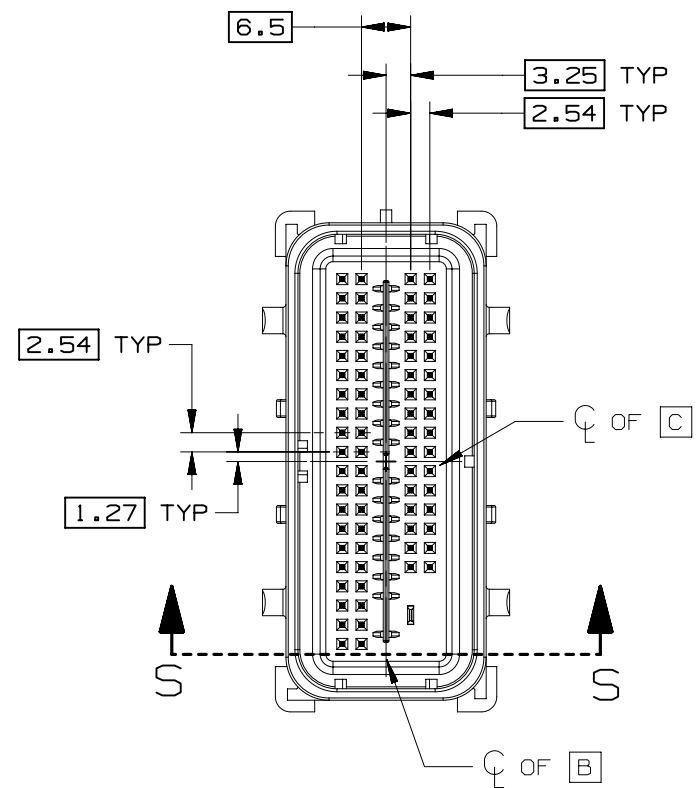
DETAIL N  
SCALE 5:1



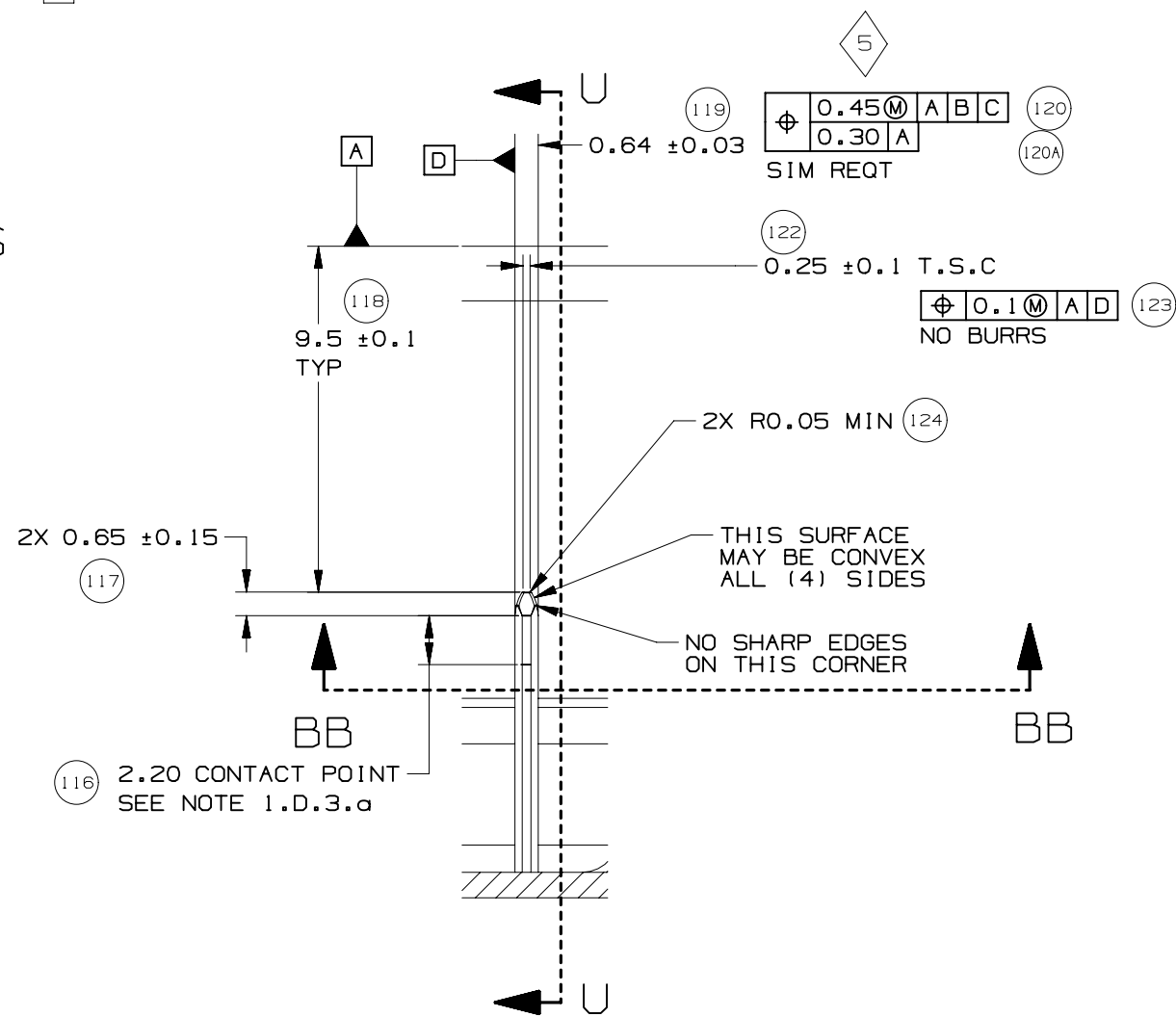


SECTION P-P

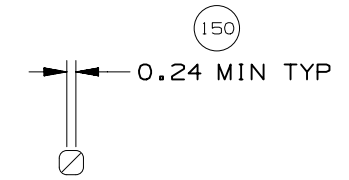




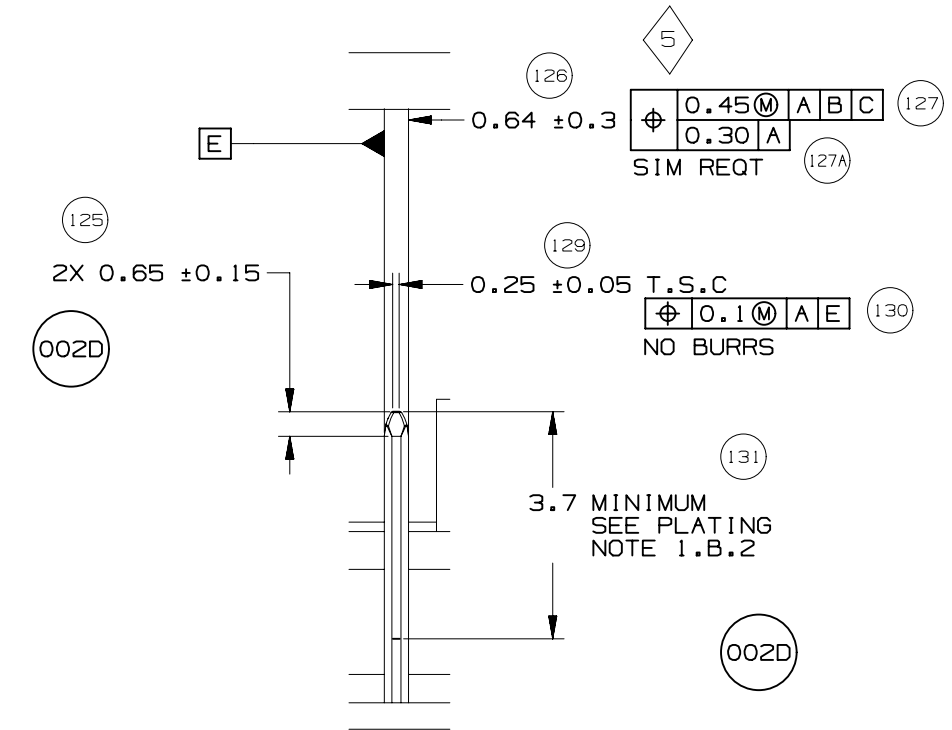
SECTION S-S



DETAIL T  
TYPICAL  
SCALE 5:1

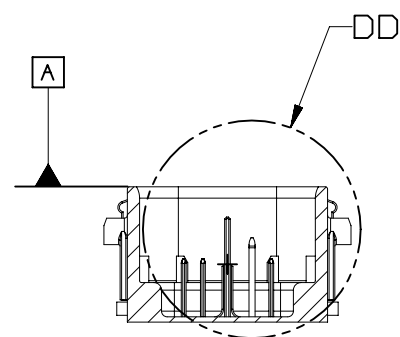
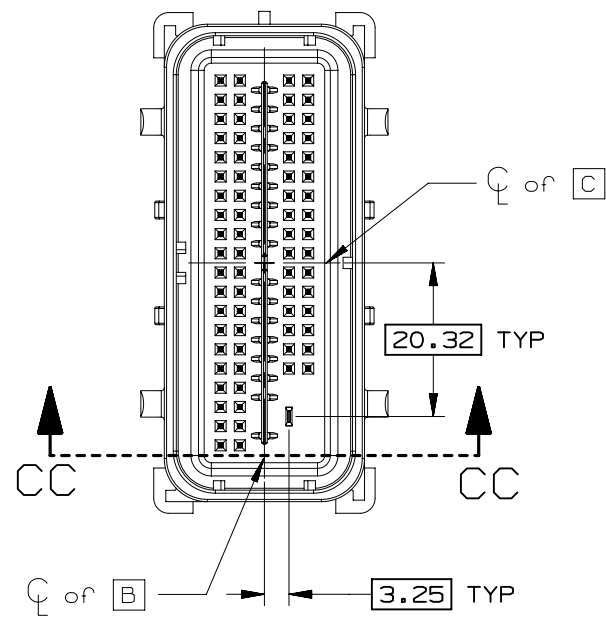


SECTION BB-BB

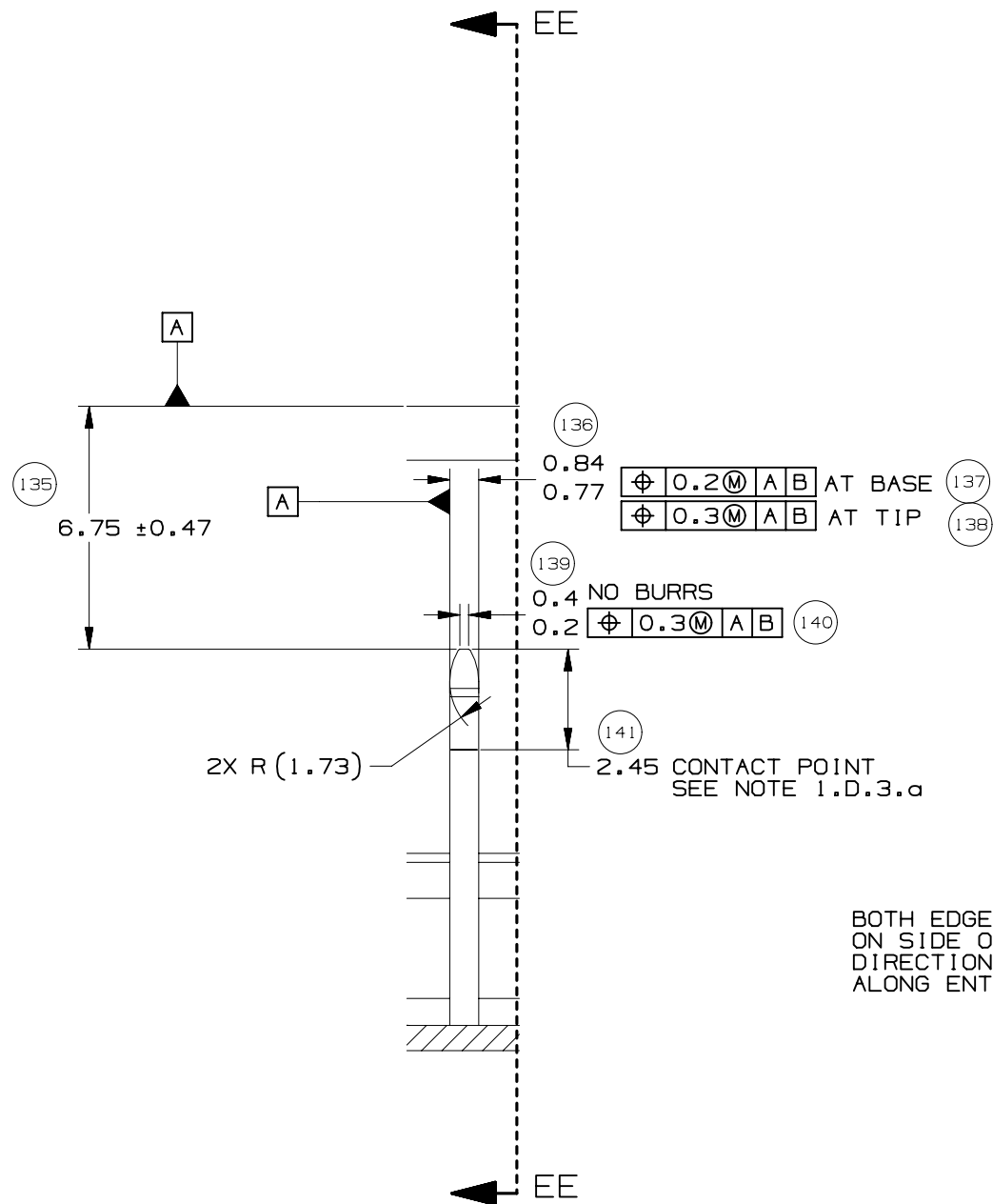


SECTION U-U

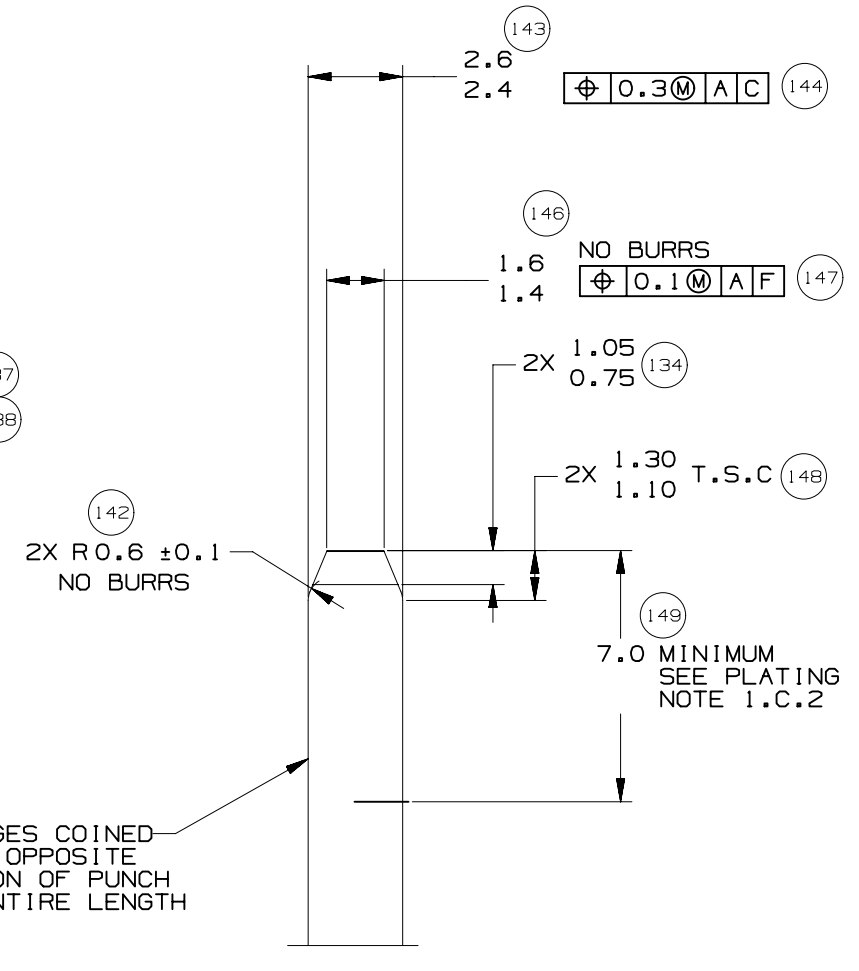




SECTION CC-CC



DETAIL DD  
TYPICAL  
SCALE 5:1



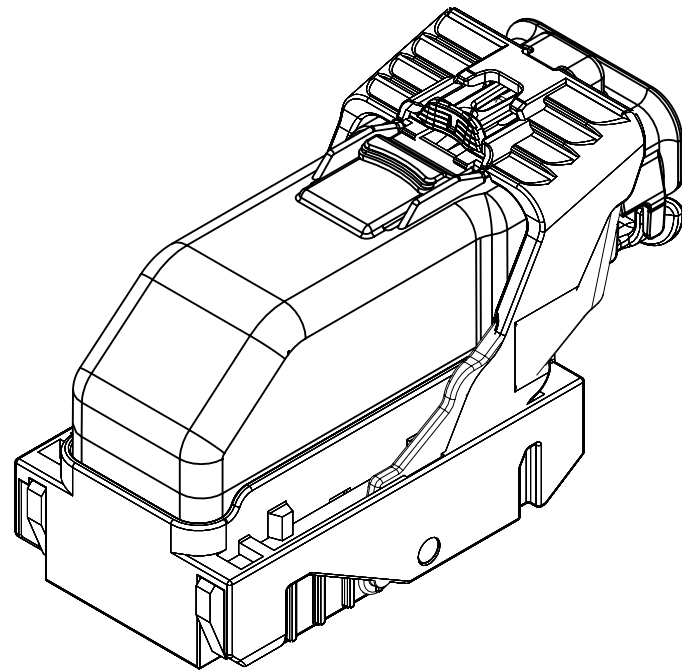
SECTION EE-EE  
TYPICAL

BOTH EDGES COINED  
ON SIDE OPPOSITE  
DIRECTION OF PUNCH  
ALONG ENTIRE LENGTH


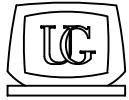




INDEX	
PAGE TITLE	PAGE
TITLE BLOCK	1
REVISION BLOCK	2
PART BLOCK	3
KPC BLOCK	4
COMPONENT TABLE	5
NOTES	6
NOTES	7
WIRE DRESS PACKAGING DIMENSIONS	8
LOCATION AND PACKAGING DIMENSIONS REFERENCING INTERFACE DATUMS B & C	9
LOCATION AND PACKAGING DIMENSIONS REFERENCING INTERFACE DATUM A	10
KEY ID REF - WIRE DRESS OPTION 0	11
KEY ID REF - WIRE DRESS OPTION 9	12
CIRCUIT CONFIGURATIONS	13
CIRCUIT CONFIGURATIONS	14
COMPONENT CONNECTOR INTERFACE	15
COMPONENT CONNECTOR INTERFACE	16
COMPONENT CONNECTOR INTERFACE	17
COMPONENT CONNECTOR INTERFACE	18
COMPONENT CONNECTOR INTERFACE	19
COMPONENT CONNECTOR INTERFACE	20
COMPONENT CONNECTOR INTERFACE	21




ISO VIEW

	<p><b>UNLESS OTHERWISE SPECIFIED:</b> THIS DOCUMENT IS IN ACCORDANCE WITH ASME Y14.5M-1994 AS AMMENDED BY THE GM GLOBAL DIMENSIONING AND TOLERANCING ADDENDUM-1997. ALL GEOMETRIC TOLERANCES AND RELATED DATUMS APPLY RFS. RULE #1 (PERFECT FORM AT MMC) DOES NOT APPLY WHEN A RELATIONSHIP BETWEEN FEATURES IS ESTABLISHED BY ORIENTATION OR LOCATION TOLERANCES. SEPARATE POSITION CALLOUTS MAY BE GAGED SEPARATELY REGARDLESS OF DATUM REFERENCES.</p>			DATE						
	 CHANGE RESTRICTED NO MANUAL CHANGES	REFERENCE 12H (MOLEX AUTOMOTIVE)	DRAFTER J SZYMKOWSKI APVD1 D PFAFFINGER APVD2 B BURT APVD3 APVD4 APVD5	22DE05 22DE05 22DE05    						
DO NOT SCALE	DRAWING NAME HARNESS CONN ASM 66/73/80 CKTS									
METRIC DIMENSIONS SHOWN IN MILLIMETERS UNLESS OTHERWISE SPECIFIED	DRAWING NUMBER 12642695		DWG STATUS <table border="1"> <tr> <td>ST</td> <td>REV</td> <td>PD1</td> </tr> <tr> <td>R</td> <td>002</td> <td></td> </tr> </table>		ST	REV	PD1	R	002	
ST	REV	PD1								
R	002									
			PAGE NUMBER 1 OF 21							

PAGE	DWG STATUS					REVISION HISTORY	AUTH	DR	CK	ENG
	DATE	ST	REV	CHG	PDI					
	19DE11	R	001			RELEASED TO PRODUCTION AT DLS A	CRMRJB	SC	MRO	GF
3	08MY15	R	002	A		REORDERED PART BLOCK AND ADDED MASS CORRECTED P/N TYPO FROM 12562676 TO 12582676				
3, 5		R	002	B		ADDED 12659312, 12659313, 12653574 AND 12653575				
6		R	002	C		REMOVED NOTE 1 . D . 3 . C				
20		R	002	D		DIM 125 WAS 3.25 DIM 131 WAS 5.5	CRMRJD	DFK	MRO	GF

PAGE	DWG STATUS					REVISION HISTORY	AUTH	DR	CK	ENG
	DATE	ST	REV	CHG	PDI					

	PAGE TITLE	DRAWING NUMBER	DWG STATUS			PAGE NUMBER	
	REVISION BLOCK		12642695	ST	REV	PDI	2 OF 21
				R	002		



KEY PRODUCT CHARACTERISTICS  
(IN ACCORDANCE WITH QN 1805 OR ON 1050)



SAFETY/COMPLIANCE

TOTAL ON  
DRAWING

5



FIT/FUNCTION

LAST NO.  
USED

5

NO	TYPE	DESCRIPTION	RATIONALE	PAGE/ZONE
1	F/F	32.68	IMPROVE CONNECTOR SYSTEM MATING	15
2	F/F	29.00	INSURE PROPER RELEASE OF LEVER	15
3	F/F	15.25	INSURE FINAL MATE POSITION	16
5	F/F	POSITIONAL TOLERANCE (2 PLACES)	INSURE CONNECTOR SYSTEM MATEABILITY	19



PAGE TITLE  
KPC BLOCK

DRAWING NUMBER

12642695

DWG STATUS

ST	REV	PD1
----	-----	-----

R	002	
---	-----	--

PAGE NUMBER

4 OF 21

LINE	MFG.	MFG. P/N	GM P/N	EFFECTIVE DATE	APPLICABLE COMPONENTS	KEY OPTION	WIRE DRESS OPTION	KEY CONFIG.	COLOR	STATUS
					DESCRIPTION					
-										
1	MOLEX	34565-0003	12582676	02JN03	MX123 DRESS COVER 66/73/80 CKT	N/A	N/A	N/A	BLACK	AVAILABLE
2	MOLEX	34822-0013	12642692	01SP13	MX123 HRNS CONN ASSY 66 CKT	A	0	1458	BLACK	AVAILABLE
3	MOLEX	34822-0033	12659312	01SP13	MX123 HRNS CONN ASSY 66 CKT	C	0	2467	BLUE	AVAILABLE
4	MOLEX	34822-0023	12642693	01SP13	MX123 HRNS CONN ASSY 66 CKT	A	9	1458	BLACK	AVAILABLE
5	MOLEX	34822-0043	12659313	01SP13	MX123 HRNS CONN ASSY 66 CKT	C	9	2467	BLUE	AVAILABLE
6	MOLEX	34566-0103	12582677	11JN04	MX123 HRNS CONN ASSY 73 CKT	A	0	1458	BLACK	AVAILABLE
7	MOLEX	34566-0203	12582678	11JN04	MX123 HRNS CONN ASSY 73 CKT	B	0	1468	ST GRAY	AVAILABLE
8	MOLEX	34566-0303	12615654	09AP08	MX123 HRNS CONN ASSY 73 CKT	C	0	2467	BLUE	AVAILABLE
9	MOLEX	34566-0403	12647268	T.B.D	MX123 HRNS CONN ASSY 73 CKT	D	0	2367	BROWN	NOT ACTIVE
10	MOLEX	34566-0503	AMJ28633	T.B.D	MX123 HRNS CONN ASSY 73 CKT	E	0	2468	GREEN	NOT ACTIVE
11	MOLEX	34566-0603	12653574	05DC14	MX123 HRNS CONN ASSY 73 CKT	F	0	1357	NATURAL	AVAILABLE
12	MOLEX	34566-0703	12588057	09AP08	MX123 HRNS CONN ASSY 80 CKT	G	0	1358	BLUE	AVAILABLE
13	MOLEX	34566-0803	12588058	11JN04	MX123 HRNS CONN ASSY 80 CKT	H	0	2458	ST GRAY	AVAILABLE
14	MOLEX	34566-0903	12615656	T.B.D	MX123 HRNS CONN ASSY 80 CKT	J	0	2457	BLACK	NOT ACTIVE
15	MOLEX	34566-1003	AMJ28595	T.B.D	MX123 HRNS CONN ASSY 80 CKT	K	0	2357	BROWN	NOT ACTIVE
16	MOLEX	34566-1103	AMJ29057	T.B.D	MX123 HRNS CONN ASSY 80 CKT	L	0	2368	GREEN	NOT ACTIVE
17	MOLEX	34566-1203	AMJ28669	T.B.D	MX123 HRNS CONN ASSY 80 CKT	M	0	2358	NATURAL	NOT ACTIVE
18	MOLEX	34566-1303	12603596	11JN04	MX123 HRNS CONN ASSY 73 CKT	A	9	1458	BLACK	AVAILABLE
19	MOLEX	34566-1403	12603597	11JN04	MX123 HRNS CONN ASSY 73 CKT	B	9	1468	ST GRAY	AVAILABLE
20	MOLEX	34566-1503	12615655	09AP08	MX123 HRNS CONN ASSY 73 CKT	C	9	2467	BLUE	AVAILABLE
21	MOLEX	34566-1603	12647269	T.B.D	MX123 HRNS CONN ASSY 73 CKT	D	9	2367	BROWN	NOT ACTIVE
22	MOLEX	34566-1703	AMJ28698	T.B.D	MX123 HRNS CONN ASSY 73 CKT	E	9	2468	GREEN	NOT ACTIVE
23	MOLEX	34566-1803	12653575	05DC14	MX123 HRNS CONN ASSY 73 CKT	F	9	1357	NATURAL	AVAILABLE
24	MOLEX	34566-1903	12603598	09AP08	MX123 HRNS CONN ASSY 80 CKT	G	9	1358	BLUE	AVAILABLE
25	MOLEX	34566-2003	12603599	11JN04	MX123 HRNS CONN ASSY 80 CKT	H	9	2458	ST GRAY	AVAILABLE
26	MOLEX	34566-2103	12615657	T.B.D	MX123 HRNS CONN ASSY 80 CKT	J	9	2457	BLACK	NOT ACTIVE
27	MOLEX	34566-2203	AMJ29117	T.B.D	MX123 HRNS CONN ASSY 80 CKT	K	9	2357	BROWN	NOT ACTIVE
28	MOLEX	34566-2303	AMJ29136	T.B.D	MX123 HRNS CONN ASSY 80 CKT	L	9	2368	GREEN	NOT ACTIVE
29	MOLEX	34566-2403	AMJ29214	T.B.D	MX123 HRNS CONN ASSY 80 CKT	M	9	2358	NATURAL	NOT ACTIVE
30	MOLEX	34736-2002	12642697	01AU10	MX64 RCPT TERM Ag 18/20 GAGE B (RIGHT PAYOFF)	N/A	N/A	N/A	N/A	AVAILABLE
31	MOLEX	34736-2001	12642696	01AU10	MX64 RCPT TERM Ag 22 GAGE B (RIGHT PAYOFF)	N/A	N/A	N/A	N/A	AVAILABLE
32	MOLEX	34586-0001	T.B.D.	11JN04	MX123 0.64MM GROMMET PLUG	N/A	N/A	N/A	NATURAL	AVAILABLE
33	YAZAKI	7116-4150-02	12588066	02JN03	2.8mm YESC SEALED FEMALE TERMINAL TIN 20/22 GAGE (CABLE RANGE 0.30mm-0.60mm)	N/A	N/A	N/A	N/A	NOT ACTIVE
34	YAZAKI	7116-4151-02	12588067	02JN03	2.8mm YESC SEALED FEMALE TERMINAL TIN 16/18 GAGE (CABLE RANGE 0.75mm-1.40mm)	N/A	N/A	N/A	N/A	NOT ACTIVE
35	YAZAKI	7116-4152-02	12582685	02JN03	2.8mm YESC SEALED FEMALE TERMINAL TIN 14 GAGE (CABLE RANGE 1.50mm-2.50mm)	N/A	N/A	N/A	N/A	AVAILABLE
36	YAZAKI	7158-3111-60	12588068	02JN03	2.8mm CABLE SEAL (wire O.D. range 1.20mm-1.90mm)	N/A	N/A	N/A	GREEN	NOT ACTIVE
37	YAZAKI	7158-3112-70	12588069	02JN03	2.8mm CABLE SEAL (wire O.D. range 1.80mm-2.30mm)	N/A	N/A	N/A	YELLOW	NOT ACTIVE
38	YAZAKI	7158-3113-40	12582686	02JN03	2.8mm CABLE SEAL (wire O.D. range 2.18mm-3.00mm)	N/A	N/A	N/A	WHITE	AVAILABLE
39	YAZAKI	7158-3114-90	T.B.D	02JN03	2.8mm YESC CAVITY PLUG	N/A	N/A	N/A	BLUE	AVAILABLE
40	MOLEX	63811-4200	XX019825	02JN03	MX64 TERM HAND CRIMP TOOL	N/A	N/A	N/A	N/A	AVAILABLE
41	MOLEX	63813-1400	XX019826	02JN03	MX64 TERM SERVICE TOOL	N/A	N/A	N/A	N/A	AVAILABLE
42	MOLEX	63865-8000	XX019827	02JN03	MX64 CRIMP APPLICATOR with TOOL KIT 18/20 GAGE PAYOFF DIRECTION D (left payoff) (contact Molex for payoff detail)	N/A	N/A	N/A	N/A	AVAILABLE
43	MOLEX	63865-8070	XX019828	02JN03	MX64 APPLICATOR TOOL KIT 18/20 GAGE	N/A	N/A	N/A	N/A	AVAILABLE
44	MOLEX	63865-8100	XX019829	02JN03	MX64 CRIMP APPLICATOR with TOOL KIT 22 GAGE PAYOFF DIRECTION D (left payoff) (contact Molex for payoff detail)	N/A	N/A	N/A	N/A	AVAILABLE
45	MOLEX	63865-8170	XX019830	02JN03	MX64 APPLICATOR TOOL KIT 22 GAGE	N/A	N/A	N/A	N/A	AVAILABLE
46	SPX	J35616-64	T.B.D.	02JN03	0.64mm PROBE TOOL (for rcpt)	N/A	N/A	N/A	N/A	AVAILABLE
47	SPX	J35616-64A	T.B.D.	02JN03	0.64mm PROBE TOOL WITH EXT (for rcpt)	N/A	N/A	N/A	N/A	AVAILABLE
48	SPX	J35616-65	T.B.D.	02JN03	0.64mm PROBE TOOL WITH EXT (for pin)	N/A	N/A	N/A	N/A	AVAILABLE
49	SPX	J35616-4A	T.B.D.	02JN03	2.8mm PROBE TOOL (for rcpt)	N/A	N/A	N/A	N/A	AVAILABLE
50	YAZAKI	X39899-J374	12094430	02JN03	2.8mm TERM SERVICE TOOL	N/A	N/A	N/A	N/A	AVAILABLE

002B

\* - MX123 DRESS COVER 73/80/66 CKT MATES TO ANY MX123 HARN CONN ASSY SHOWN ON TABLE ABOVE



PAGE TITLE  
COMPONENT TABLE

DRAWING NUMBER

12642695

DWG STATUS

ST	REV	PD1
R	002	

PAGE NUMBER

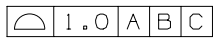
5 OF 21

NOTES: UNLESS OTHERWISE SPECIFIED

1. MATERIAL FOR INTERFACE:

- A. RESIN:
  - 1. 30% G.F. PBT; 20% MAX. (BY WEIGHT) REGRIND.
  - 2. MATING CONNECTOR INTERFACE PART COLOR MUST BE SAME AS MATCHING KEYED HARNESS CONNECTOR ASSEMBLY.
  - 3. MUST BE VALIDATED FOR INDIVIDUAL DEVICE APPLICATION REQUIREMENTS.
- B. 0.64MM PINS:
  - 1. BASE MATERIAL: COPPER ALLOY; CONDUCTIVITY >= 28% IACS AT 20°C; TENSILE STRENGTH >= 635 N/mm<sup>2</sup>; SURFACE ROUGHNESS R<sub>a</sub> 6 MAX.
  - 2. PLATING FINISH: SILVER (Ag). PLATING TO BE 1.9-3.3 μm ELECTRODEPOSITED SEMI-BRIGHT SILVER OVER 1.25-2.25 μm DUCTILE SULPHAMATE NICKEL PER NOTE 1(D).
  - 3. ANTI-TARNISH: SYNTHETIC HYDROCARBON CONTACT SURFACE FINISH OR EQUIVALENT APPLIED WITHOUT VOID TO CONTACT AREA (MIN 3.7mm FROM PIN TIP).
- C. 2.8MM BLADE:
  - 1. BASE MATERIAL: COPPER ALLOY; CONDUCTIVITY >= 28% IACS AT 20°C; TENSILE STRENGTH >= 350 N/mm<sup>2</sup>; SURFACE ROUGHNESS R<sub>a</sub> 6 MAX.
  - 2. PLATING FINISH: TIN. PLATING TO BE 2.5-5.0 μm ELECTRODEPOSITED TIN, MATTE FINISH OVER 1.25-2.5 μm DUCTILE SULPHAMATE NICKEL PER NOTE 1(D).
- D. PLATING REQUIREMENTS:
  - 1. SILVER PLATING
    - a. 99.5% PURE SEMI-BRIGHT WITH NO ORGANIC BRIGHTNERS OR CHROMATES.
  - 2. NICKEL PLATING
    - a. ELECTRODEPOSITED DUCTILE SULFAMATE NICKEL WITH A NON-BRIGHTENED FINISH. NO ORGANIC OR BRIGHTENING AGENTS SHALL BE ALLOWED.
    - b. SHALL ONLY BE USED AS AN UNDERLYING PLATING AND MAY NOT BE USED AS AN ELECTRICAL CONTACT SURFACE PLATING.
    - c. SHALL BE NODULE FREE WHEN VIEWED AT 10X MAGNIFICATION IN MEASURED IN CONTACT SURFACE AREA PLUS 0.5MM PERIMETER AROUND THE CONTACT SURFACE AREA.
    - d. ALL PLATINGS SHALL HAVE A 1.0% MAXIMUM BY WEIGHT IMPURITIES. IMPURITIES ARE DEFINED AS ALL ELEMENTS NOT THE PRIMARY PLATING OR HARDENING AGENT IF APPLICABLE, AS DETERMINED BY WET CHEMICAL ANALYSIS OR AUGER METHOD. NO SINGLE IMPURITY SHALL EXCEED 0.1% MAXIMUM BY WEIGHT.
  - 3. TESTING
    - a. THICKNESS TO BE MEASURED IN CONTACT SURFACE AREA PLUS 0.5MM PERIMETER AROUND THE CONTACT SURFACE AREA AS DESIGNATED IN THE DRAWING. THICKNESS SHALL BE DETERMINED BY METHOD OF X-RAY (XRF).
    - b. PLATING ADHESION SHALL BE TESTED BY A BEND TEST FOR ALL METALS. THE TEST SAMPLE SHALL BE BENT 90 DEGREES TO DETERMINE DEPOSIT ADHESION. TESTING SHALL BE COMPLETED IN ACCORDANCE WITH ASTM SPEC B571.


2. DESIGN - GENERAL:

- A. THIS IS A 100% CAD GENERATED PART. THE CAD MATHEMATICAL DATA IS THE MASTER FOR THIS PART. FOR DIMENSIONAL OR ANY INFORMATION NOT SHOWN ON THIS DRAWING, ANALYZE THE CAD MODEL.
- B. TOLERANCES:
  - 1. LINEAR
    - 0.X ± 0.30
    - 0.XX ± 0.10
    - 0.XXX ± 0.10
  - 2. ANGULAR X° ± 3°
  - 3. 
- C. MINIMUM WALL THICKNESS REQUIRED: 1.3mm.
- D. CORNERS SHOWN AS SHARP TO BE R 0.2 MAX.
- E. LETTERING SHALL BE 0.15 MAX RAISED IN 0.20 MAX RECESS PAD. THIS INCLUDES MATERIAL CODE, RECYCLING CODE, CAVITY ID AND DATE CODE.
- F-1. PARTS MUST BE FREE OF DISCOLORATION, SALT RESIDUE AND OTHER IMPERFECTIONS THAT AFFECT FIT OR FUNCTION.
- F-2. SCRATCHES OR DENTS NOT TO EXCEED 0.013mm IN DEPTH.
- G. FOLLOWING PRODUCTION CODES TO BE PERMANENTLY MARKED & HUMAN READABLE TO A LETTER HEIGHT OF 1.5 ± 0.5MM X 0.3 MAX DEEP
  - 1. MATERIAL #: XXXXX-XXXX
  - 2. DATE CODE: JJYY (JULIAN DAY, LAST DIGIT OF YEAR)
  - 3. INSPECTION MACHINE CODE + SERIAL #: X\_XXXXX

3. DESIGN - MANUFACTURING:

- A. DRAFT TO BE WITHIN TOLERANCE.
- B. ALLOWABLE FLASH MAX 0.2 HIGH X MAX 0.13 THICK.
- C. ALLOWABLE PARTING LINE MISMATCH 0.2 MAX.
- D. EJECTOR PINS MARK TO BE FLUSH TO 0.25 MAX DEPRESSED.
- E. ALLOWABLE GATE VESTIGE FLUSH TO 0.25 MAX PROTRUSION.
- F. NO EXTERNAL MOLD RELEASE AGENT ALLOWED DURING MANUFACTURING.
- G. STEEL THAT FORMS THE INDICATED SURFACE MUST BE POLISHED WITH A DIAMOND FINISH (SPI A-2) OVER THE FULL PERIPHERY OF THE TOOL. SURFACE MUST HAVE NO MISMATCH.
- H. ANY PROCESS LUBRICANT REMAINING ON THE TERMINAL MUST NOT VARNISH OR DEGRADE IT'S ELECTRICAL PERFORMANCE UP TO A MAXIMUM CLASS AMBIENT TEMPERATURE PER SAE USCAR-2 FOR 1008 HOURS. PROCESS LUBRICANTS SHOULD BE APPROVED BY THE RESPONSIBLE ENGINEER.
- J. OPTIONAL FEATURES PROVIDED FOR AUTOMATION.
- K. PART MUST BE FREE FROM BURRS AND SHARP EDGES, WHICH MIGHT BE DETRIMENTAL TO SATISFACTORY ASSEMBLY, SAFE HANDLING OR FUNCTION OF PART.
- L. PARTS AS DELIVERED TO ASSEMBLY SHALL BE CLEAN AND FREE OF DEBRIS, RESIDUAL ABRASIVE MATERIAL AND CORROSION PRODUCTS ADVERESLY AFFECTING FUNCTION OR APPEARANCE.
- M. RESTRICTED AND REPORTABLE SUBSTANCES FOR PARTS PER GMW3059.

002C

	PAGE TITLE	DRAWING NUMBER	DWG STATUS			PAGE NUMBER
	NOTES		12642695			
			ST	REV	PDI	

NOTES: UNLESS OTHERWISE SPECIFIED

4. SYSTEM REQUIREMENTS:

- A. HARNESS CONNECTOR IS COMPATIBLE WITH THE FOLLOWING SAE WIRE SIZE NO'S:
  - 14, MEETING SAE J1128
  - 18, MEETING SAE J1128, MAX O.D. OF 2.06 MM
  - 20, MEETING SAE J1128
  - 22, MEETING SAE J1128, MIN O.D. OF 1.47 MM
- B. CABLE TIE SPECIFICATIONS:
  - 1. CABLE TIE:
    - TENSILE RATING: 220N / (50lbs) MIN
    - TIE LENGTH: 186mm MIN
    - TIE WIDTH: 4.75mm MAX
    - MATERIAL: NYLON
  - 2. INSTALLATION:
    - CABLE TIE TENSION: 190N MIN
  - 3. DRESSED WIRE BUNDLE PACKAGING: SEE FIG. 1
- C. WHEN MATED WITH COMPONENT CONNECTOR INTERFACE AND/OR DRESS COVER, HARNESS CONNECTOR SYSTEM CONFORMS TO THE FOLLOWING:
  - 1. SAE/USCAR-2, REV: 3 APRIL, 2001; CLASS 3
  - 2. FIELD CORRELATED LIFE TEST, SAE/USCAR-20, NOV. 2001
  - 3. GMW #3191 AUGUST 22, 2000 (DRAFT); TEMPERATURE CLASS 3, SEALING CLASS 1, VIBRATION CLASS 2
  - 4. RESTRICTED AND REPORTABLE CHEMICALS PER GMW #3059, REV: D AUGUST 2002
  - 5. TPA USER FORCES (FULLY POPULATED WITH TERMINALS)
    - a. REMOVAL FROM LOCK TO PRE-SET: <=120N
- D. WIRE SPECIFICATIONS:
  - 1. WIRE SURFACE MUST BE FREE OF SCRATCHES, GROOVES OR DENTS WHERE FUNCTIONAL

5. TERMINAL CURRENT RATINGS:

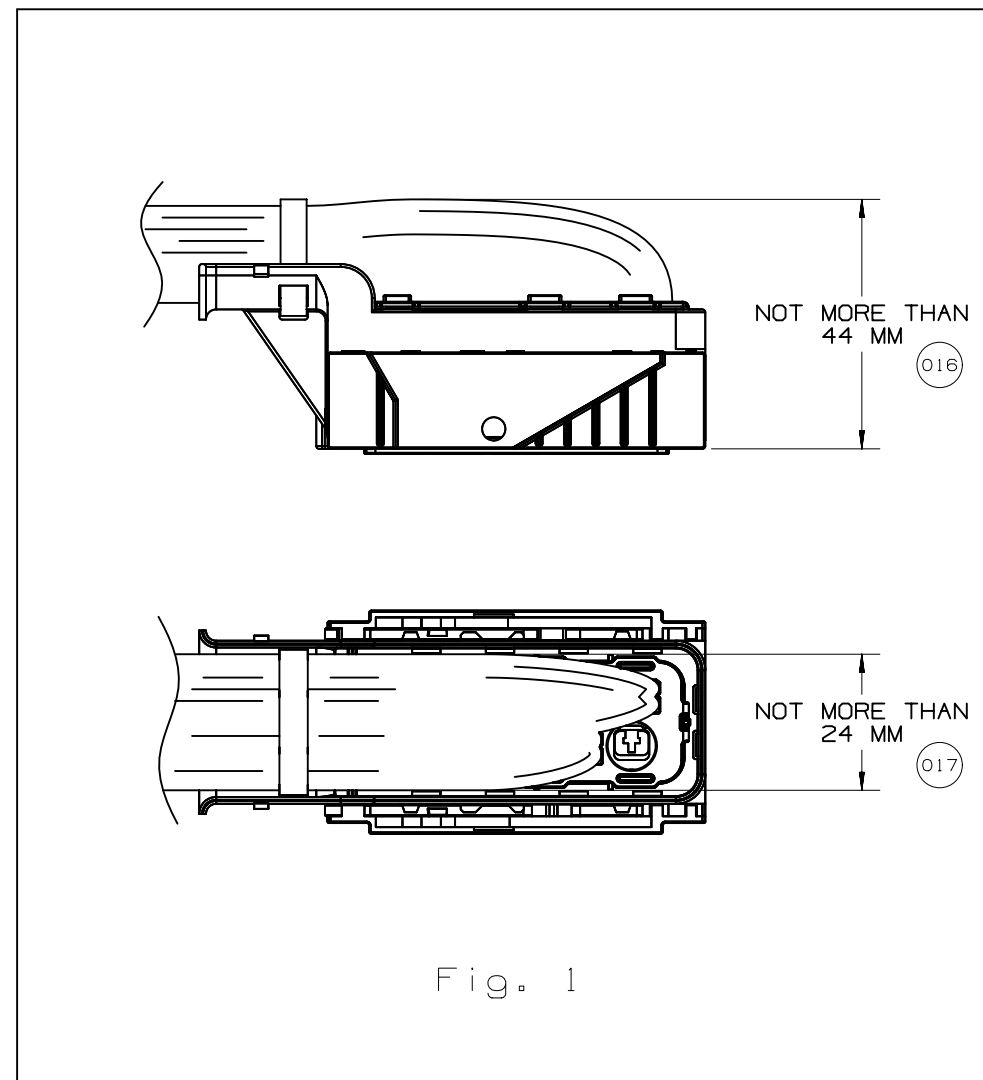
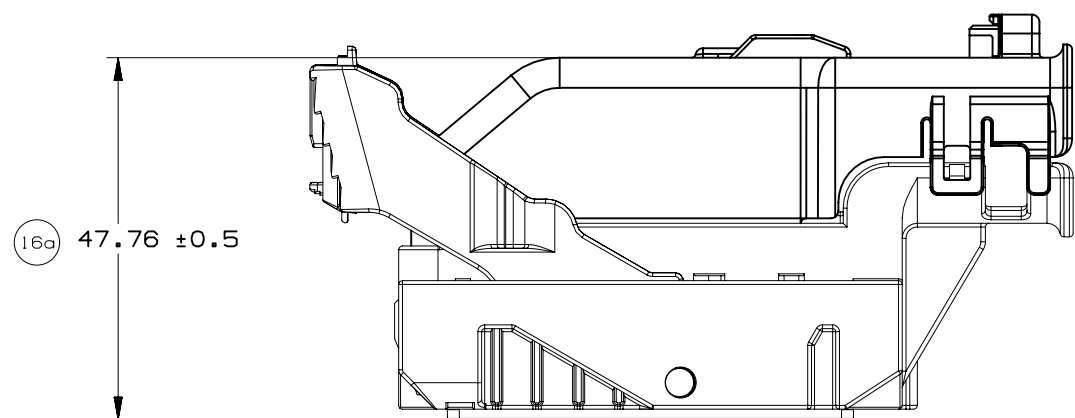
ALL TESTING DONE IN ACCORDANCE WITH USCAR-2 REV5 SECTION 5.3

- A. MX64 RCPT TERM
  - 1. MX64 RCPT TERM Ag 18/20 GAGE CRIMPED TO SAE WIRE SIZE NO.18 AND MATED TO MX123 0.64MM PIN: 11.3 AMPS
  - 2. MX64 RCPT TERM Ag 22 GAGE CRIMPED TO SAE WIRE SIZE NO.22 AND MATED TO MX123 0.64MM PIN:8.5 AMPS

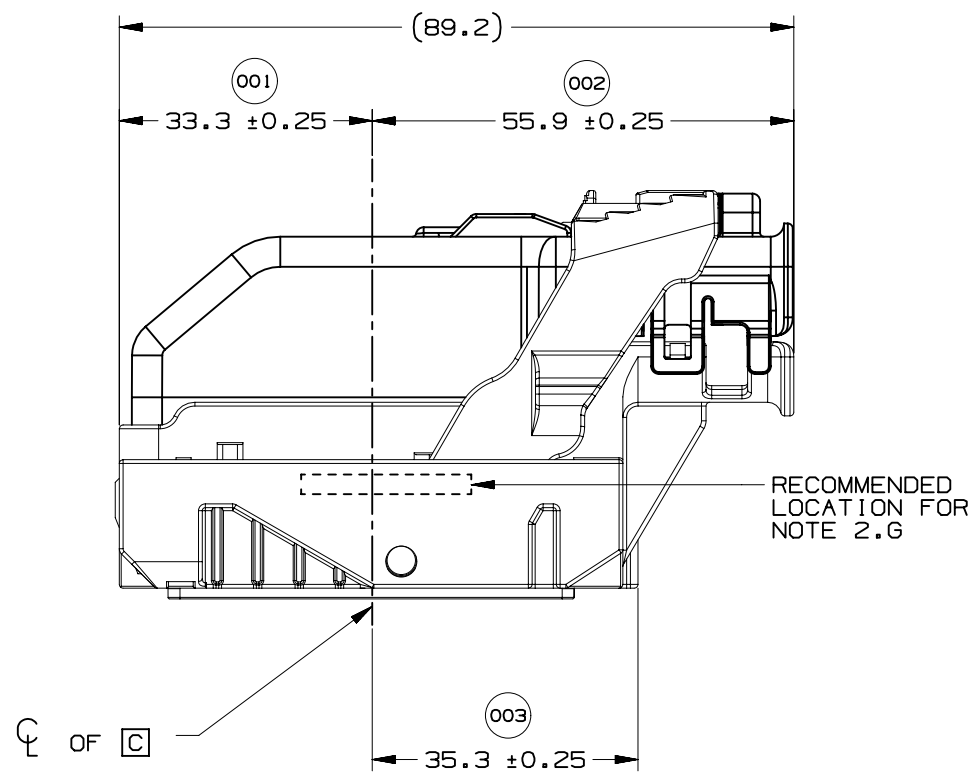
WIRE	CURRENT RATING			
	23°C	85°C	105°C	125°C
18AWG	11.3A	11.3A	9.5A	6.6A
20AWG	10.0A	10.0A	8.3A	5.7A
22AWG	8.6A	8.6A	7.1A	5.0A

- B. 2.8MM RCPT TERM
  - 1. 2.8MM RCPT TERM TIN 14 GAGE CRIMPED TO SAE WIRE SIZE NO.14 AND MATED TO MX123 2.8MM BLADE: 25.6 AMPS

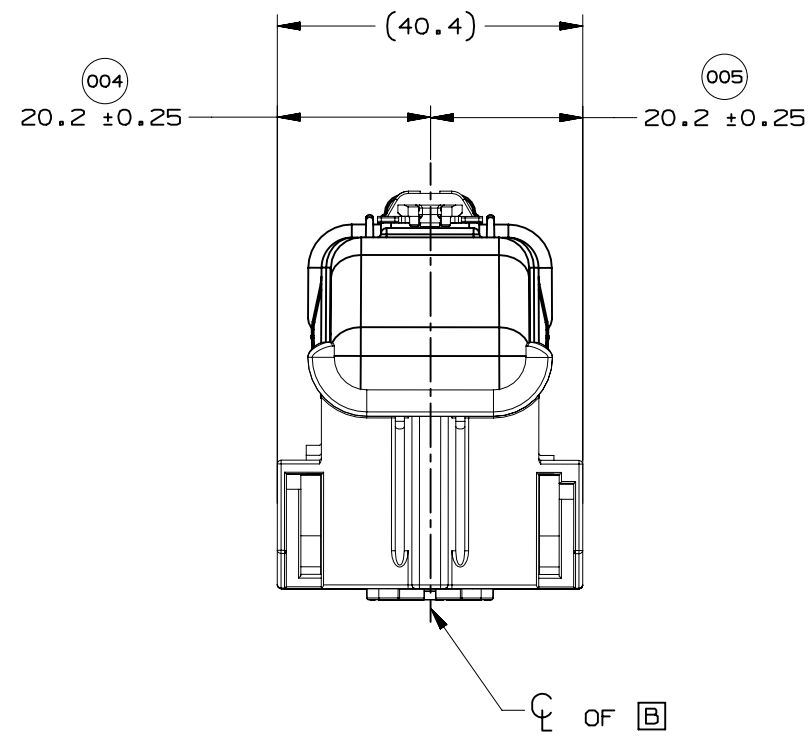
6. CONTACT MOLEX AUTOMOTIVE FOR AVAILABLE CUSTOM PATTERNS OF CAVITIES OPEN FOR CIRCUITS



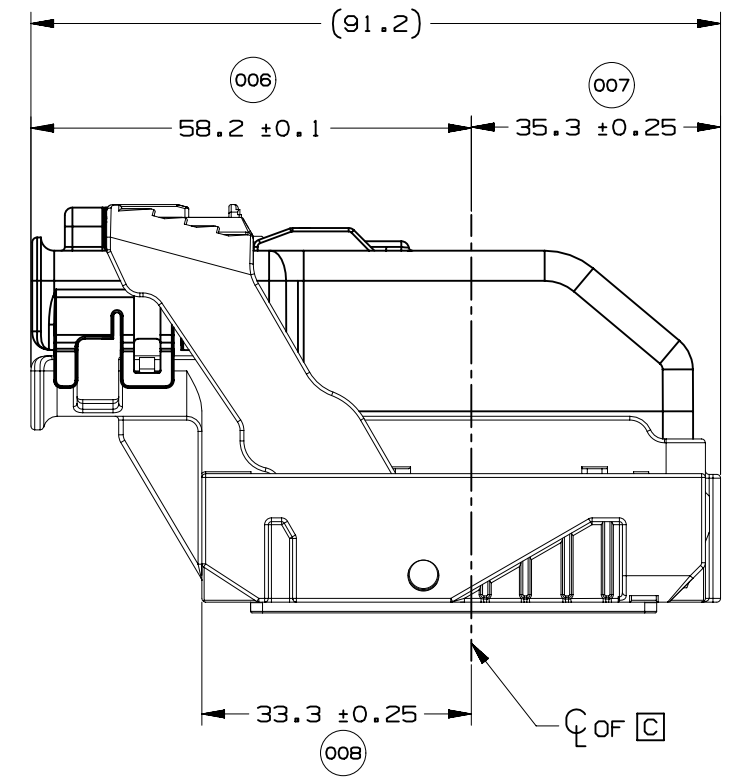




WIRE DRESS OPTION 0 SHOWN

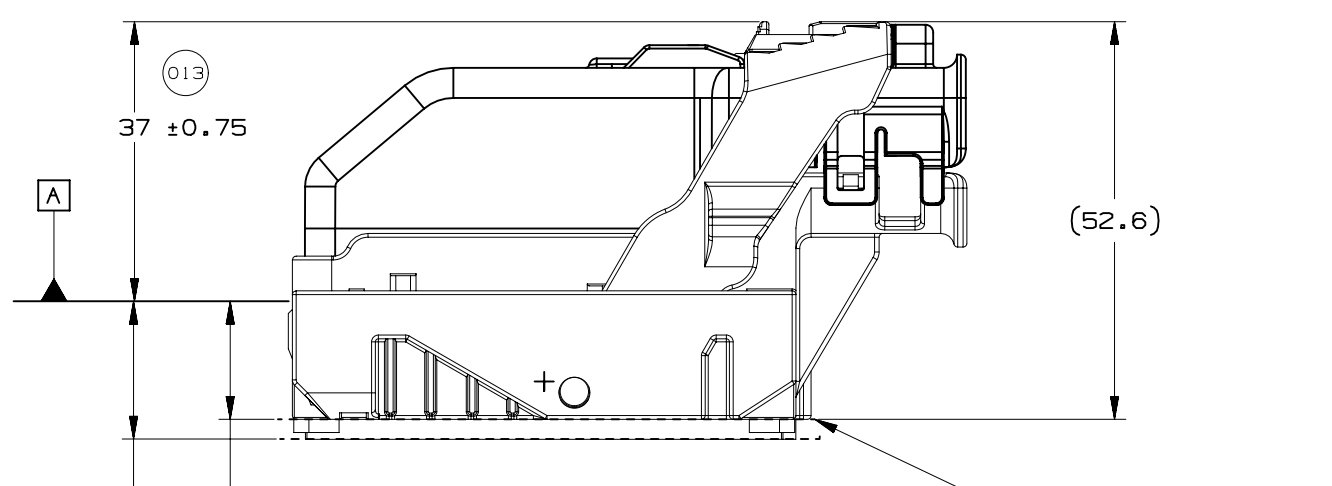
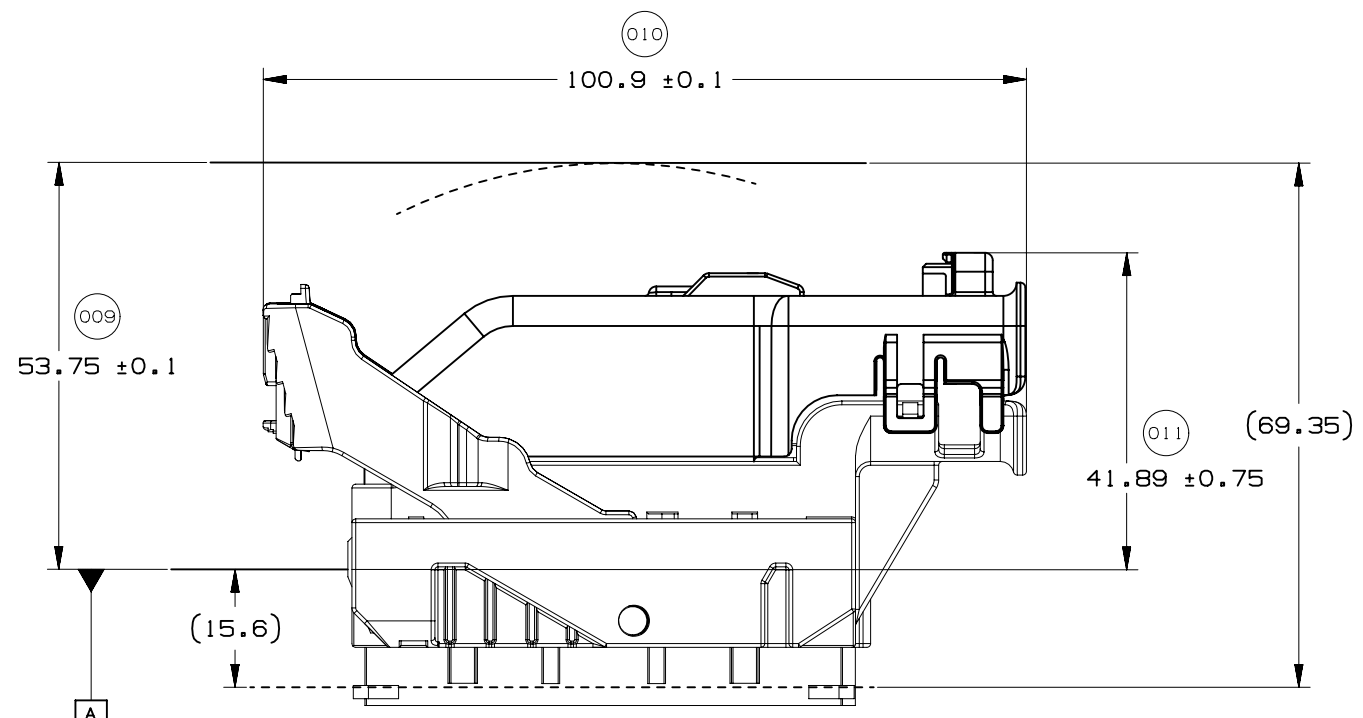
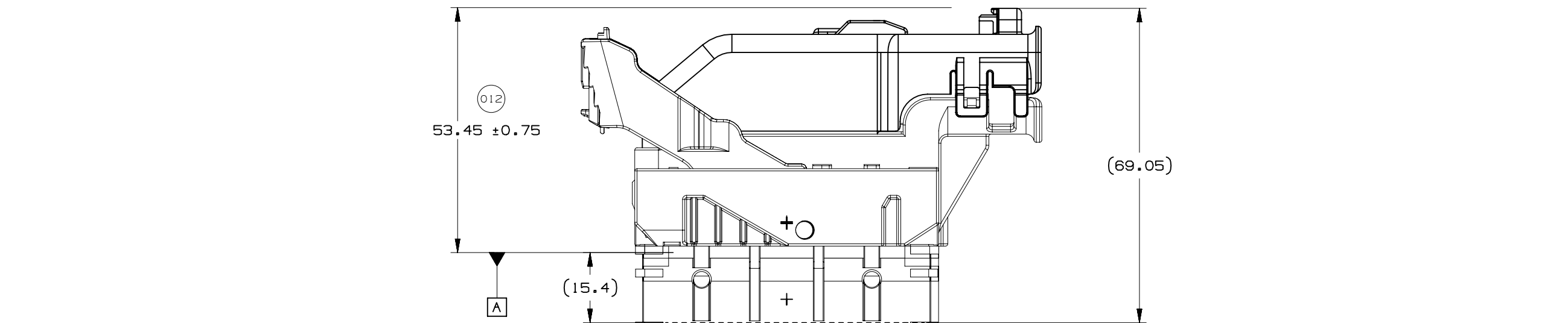


WIRE DRESS OPTION 0 SHOWN



WIRE DRESS OPTION 9 SHOWN



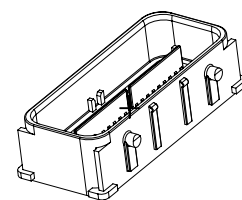
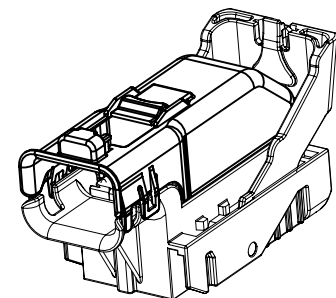
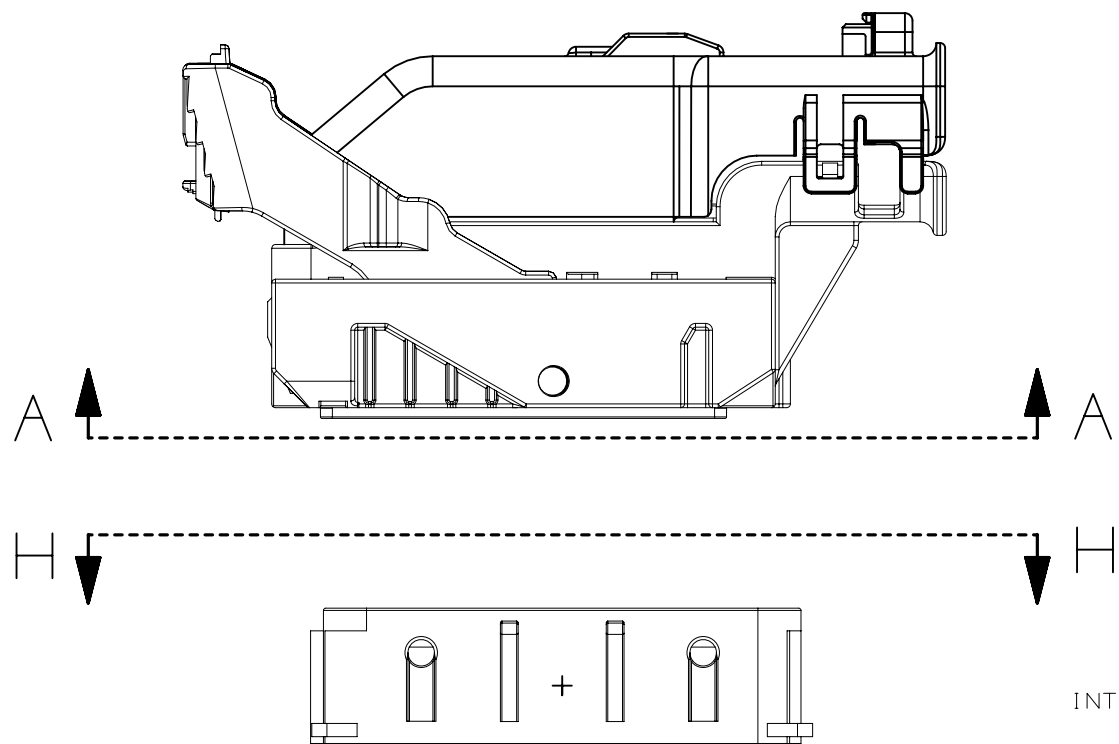


15.6 MIN. ALL AROUND CLEARANCE REQUIRED FOR HARNESS CONNECTOR

014

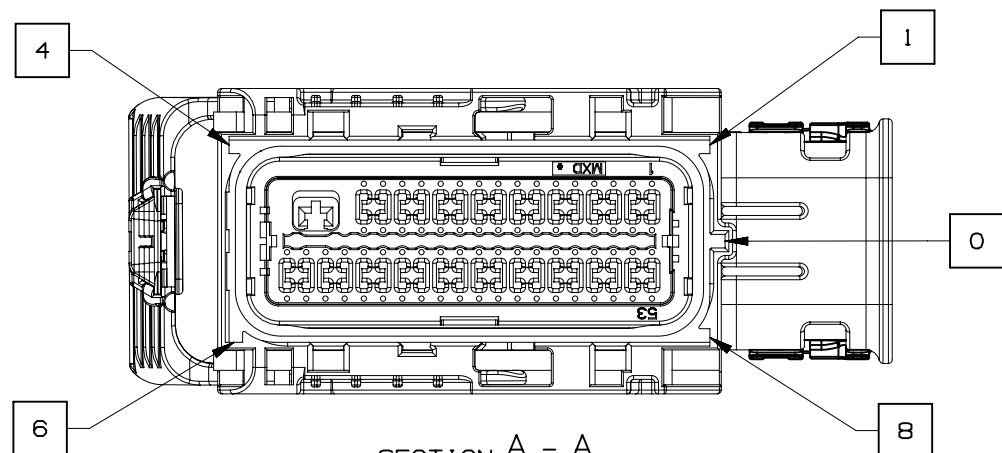
17.9 MIN. AT PAD LOCATION CLEARANCE REQUIRED FOR HARNESS CONNECTOR CONSTRUCTION BELOW THIS PLANE IS NOT CONTROLLED

015

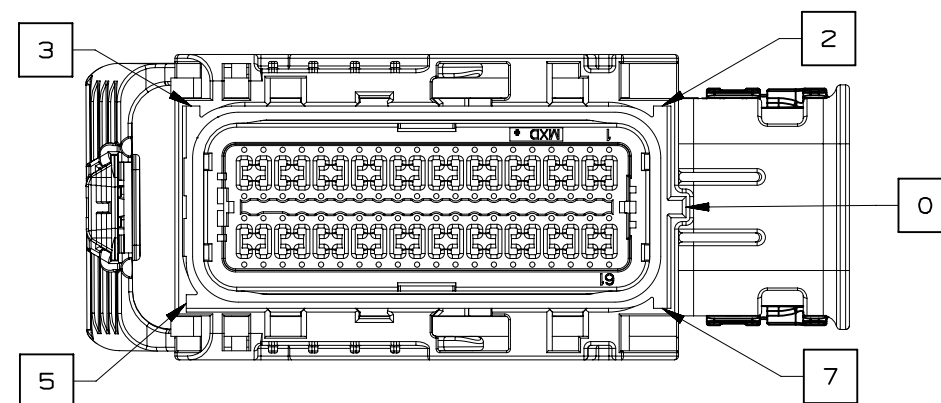


NOTE: REFERENCE THE COMPONENT TABLE FOR KEY OPTIONS AND CONFIGURATIONS

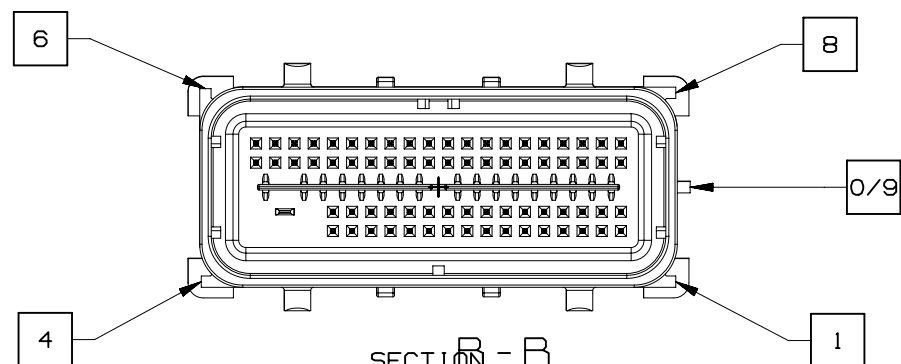
INTERFACE SIDE SHOWN ON ALL SECTION VIEWS



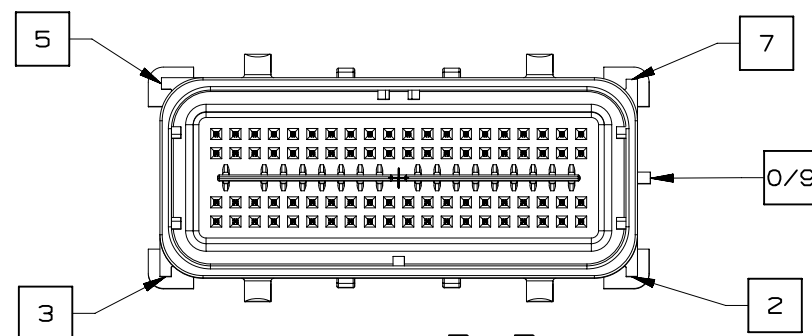
SECTION A - A  
KEY OPTION B SHOWN



SECTION A - A  
KEY OPTION K SHOWN



SECTION B - B  
KEY OPTION B SHOWN



SECTION B - B  
KEY OPTION K SHOWN

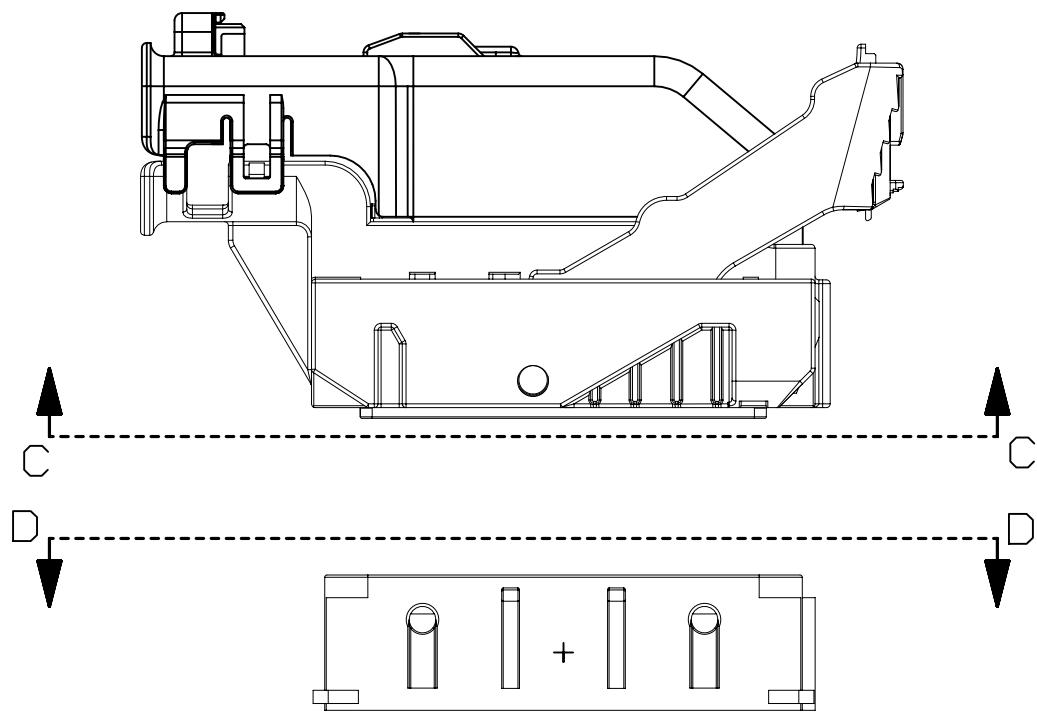


PAGE TITLE  
KEY ID REF - WIRE DRESS OPTION 0

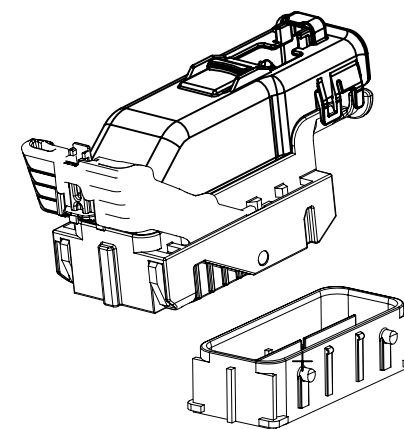
DRAWING NUMBER  
12642695

DWG STATUS		
ST	REV	PD1
R	002	

PAGE NUMBER  
11 OF 21

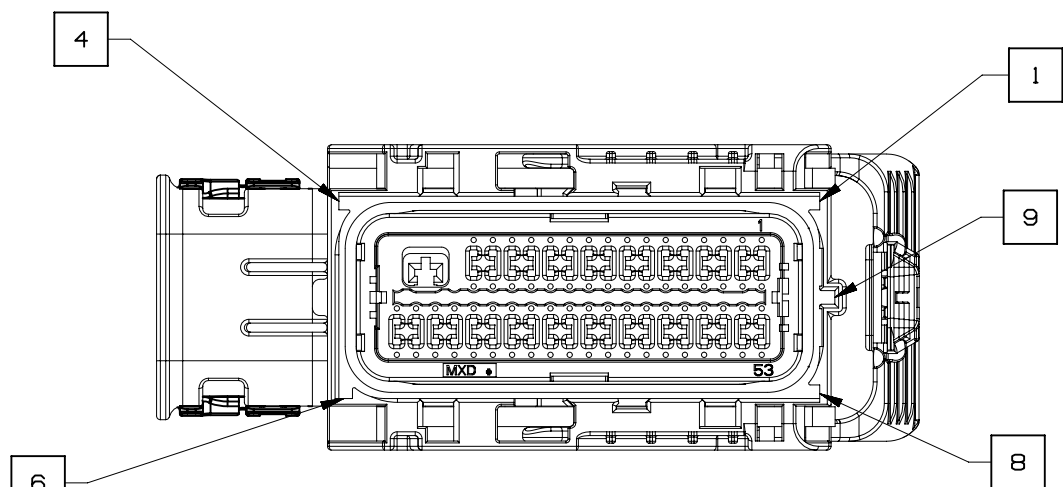


INTERFACE SIDE SHOWN ON ALL SECTION VIEWS

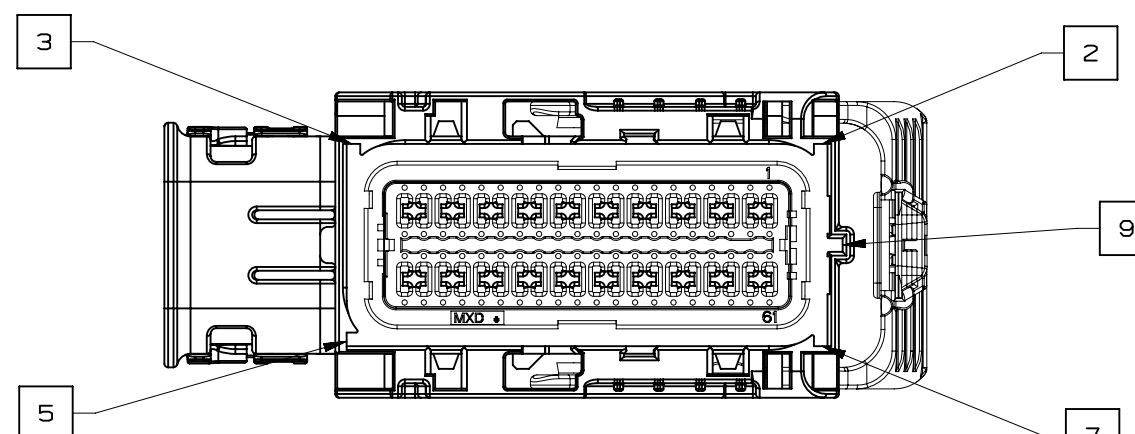


NOTE: REFERENCE THE COMPONENT TABLE FOR KEY OPTIONS AND CONFIGURATIONS

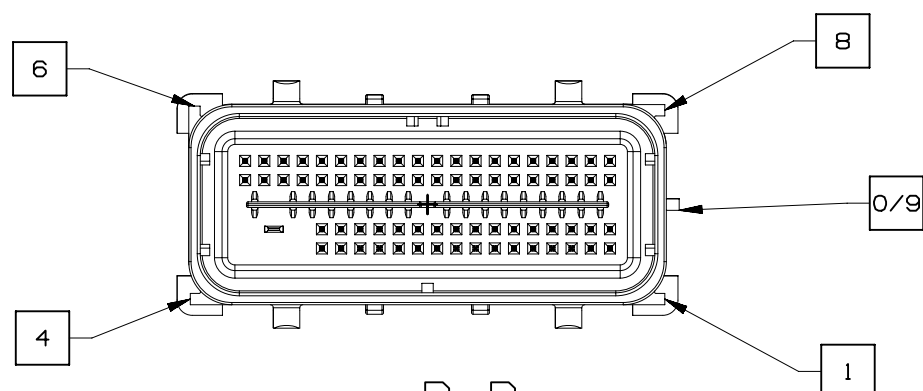
VIEW V



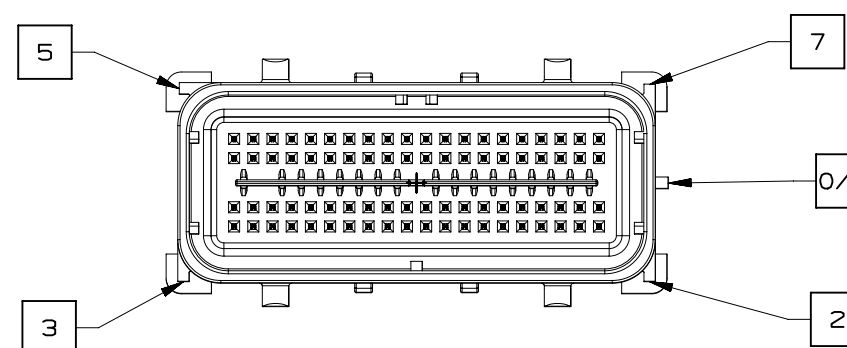
SECTION C-C  
KEY OPTION B SHOWN



SECTION C-C  
KEY OPTION K SHOWN



SECTION D-D  
KEY OPTION B SHOWN



SECTION D-D  
KEY OPTION K SHOWN

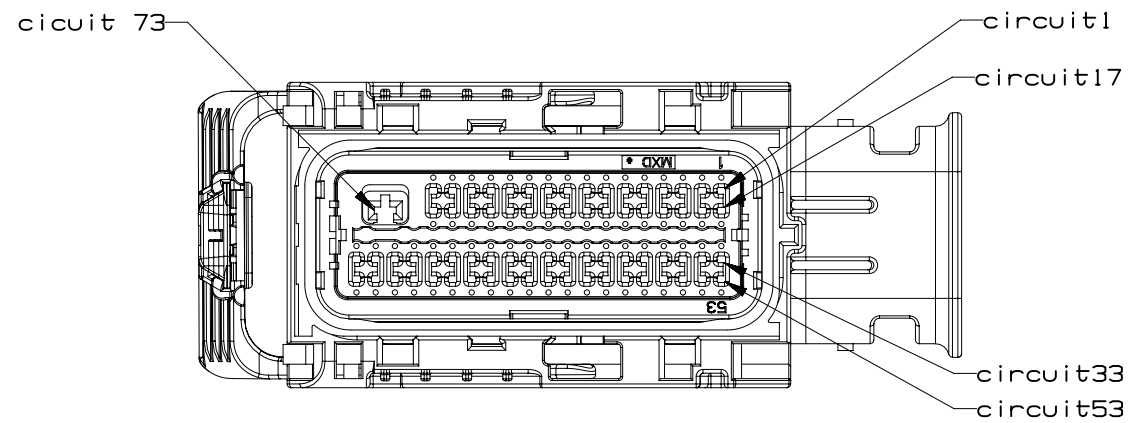


PAGE TITLE  
KEY ID REF - WIRE DRESS OPTION 9

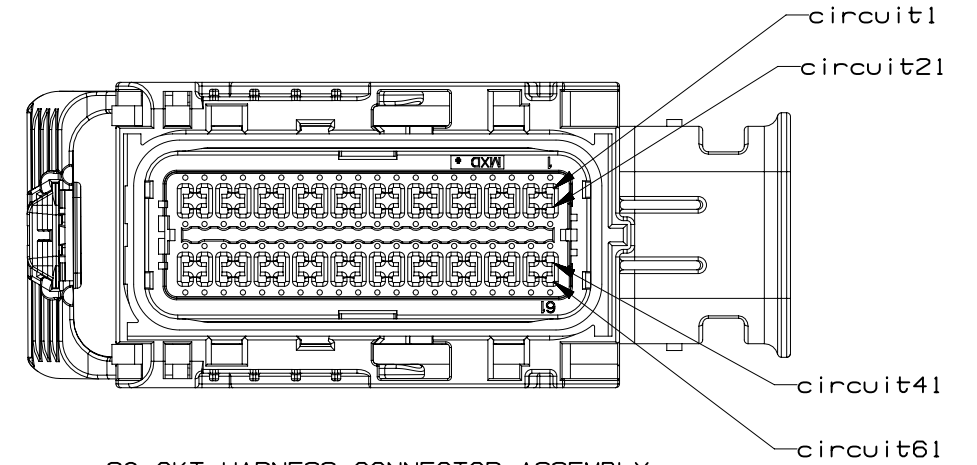
DRAWING NUMBER  
12642695

DWG STATUS		
ST	REV	PD1
R	002	

PAGE NUMBER  
12 OF 21

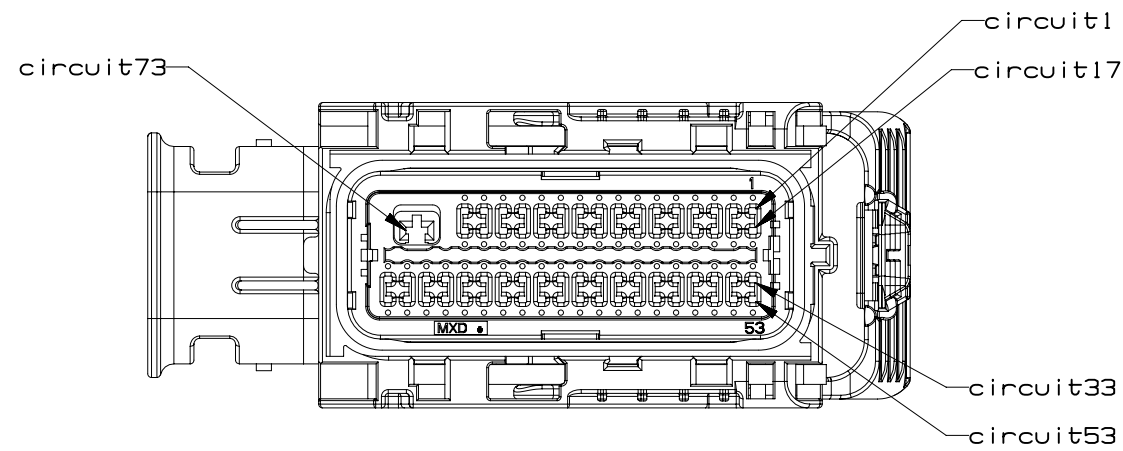


73 CKT HARNESS CONNECTOR ASSEMBLY  
WIRE DRESS OPTION 0

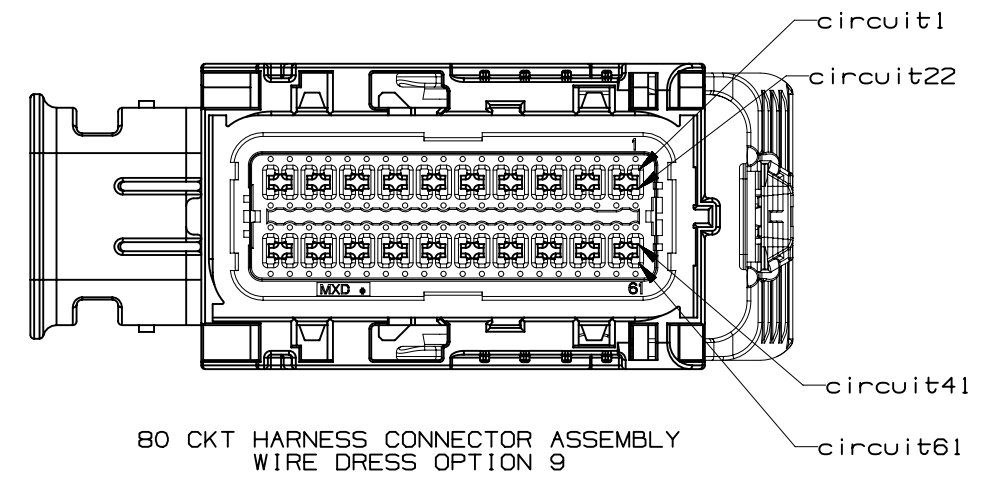


80 CKT HARNESS CONNECTOR ASSEMBLY  
WIRE DRESS OPTION 0

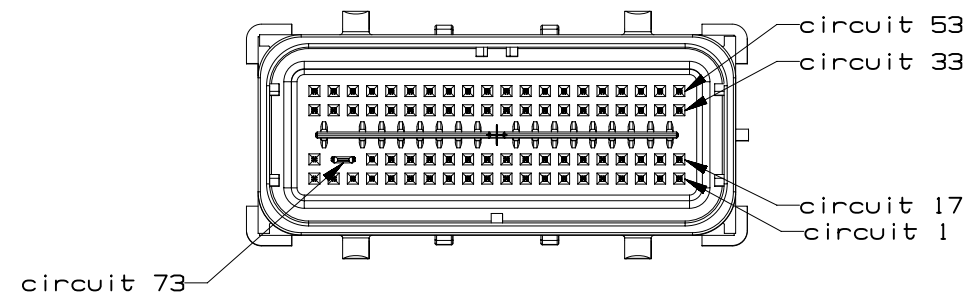
INTERFACE SIDE SHOWN ON ALL VIEWS



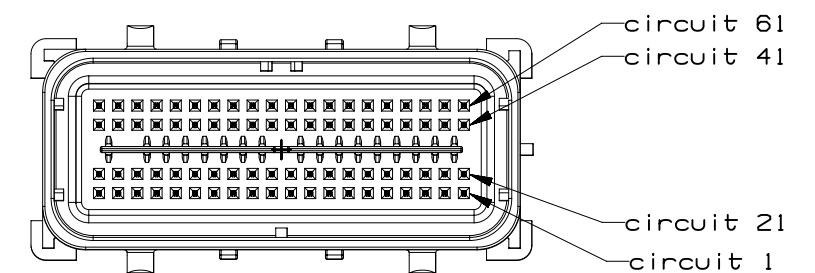
73 CKT HARNESS CONNECTOR ASSEMBLY  
WIRE DRESS OPTION 9



80 CKT HARNESS CONNECTOR ASSEMBLY  
WIRE DRESS OPTION 9

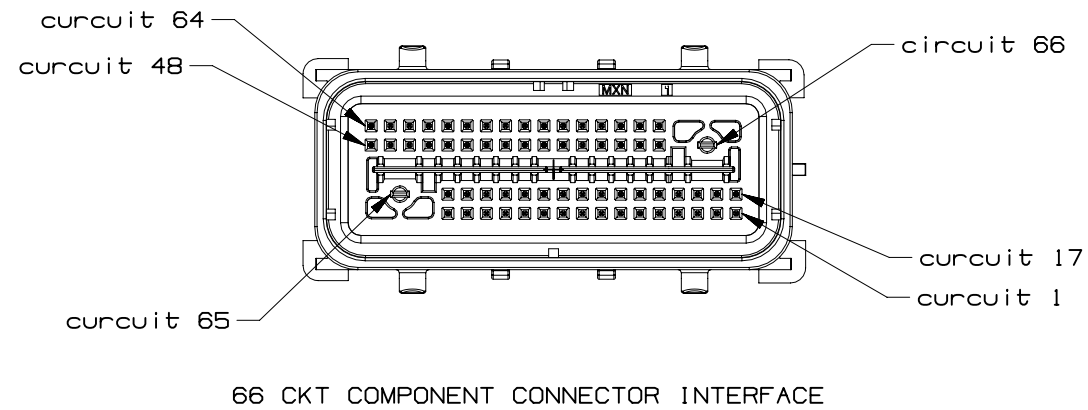
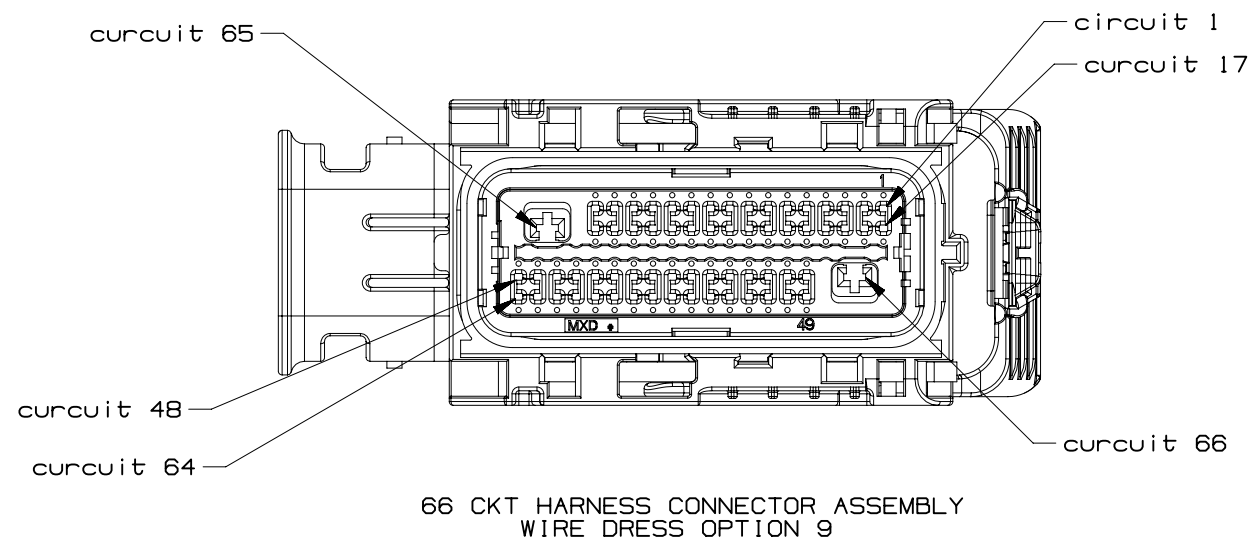
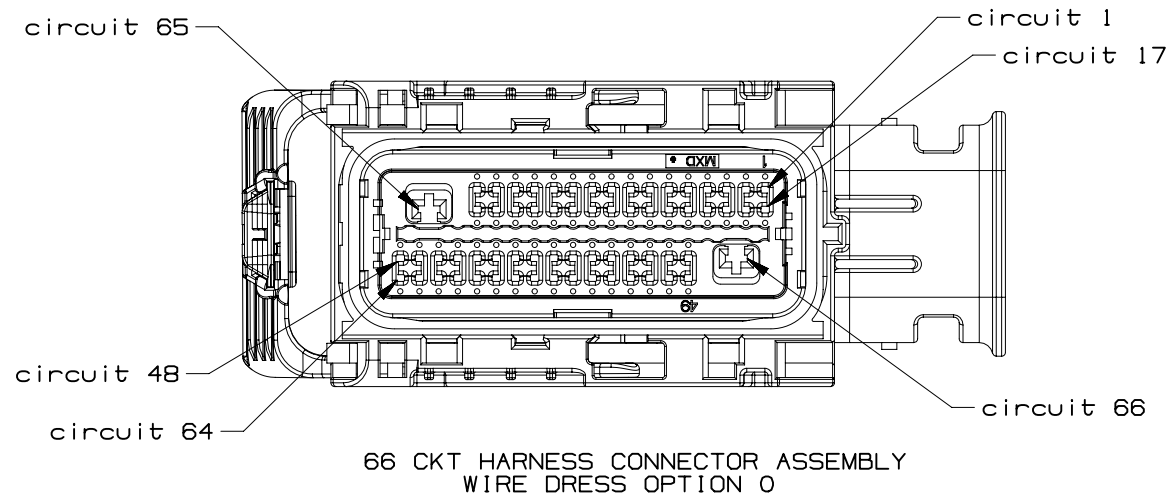



73 CKT COMPONENT CONNECTOR INTERFACE

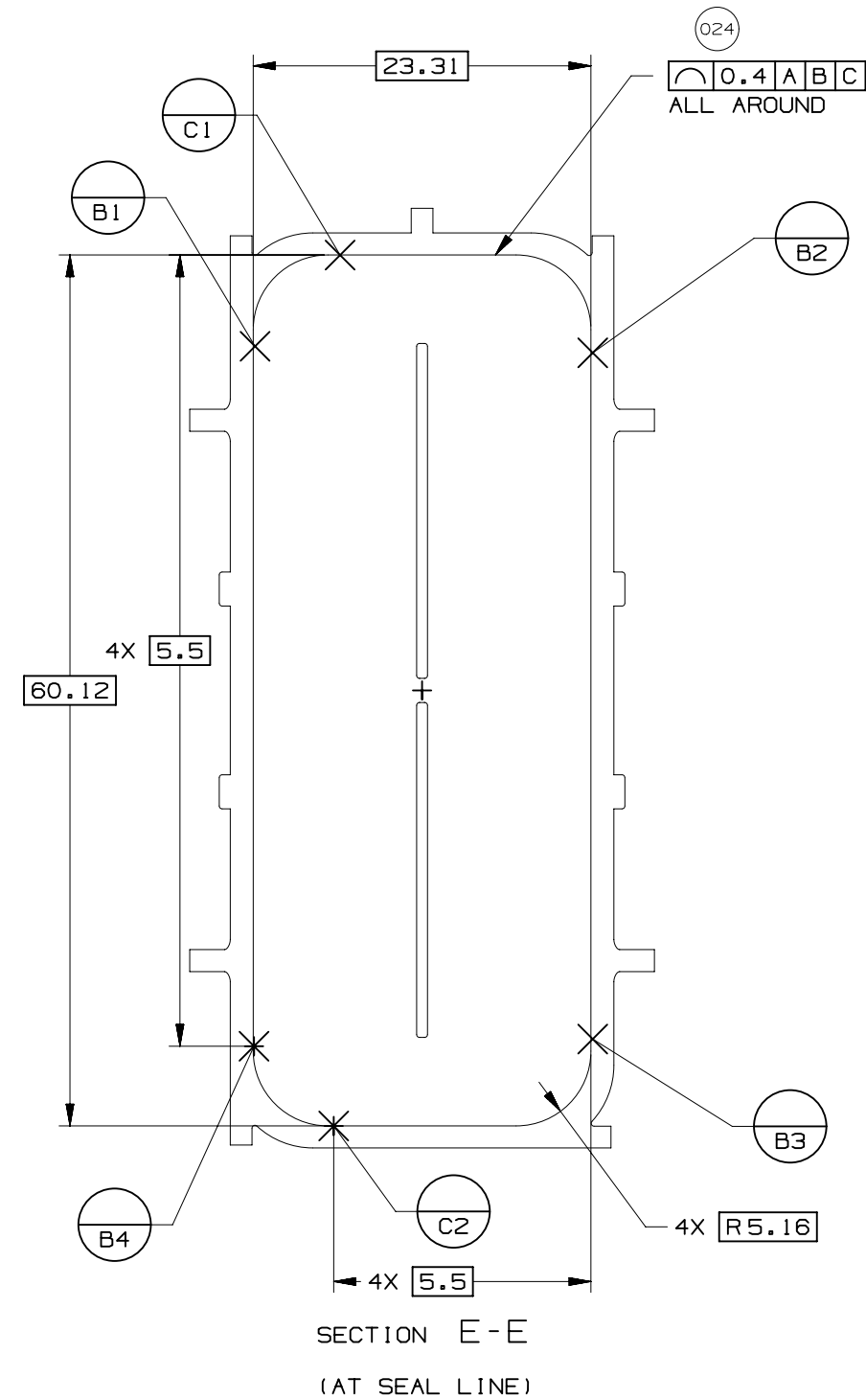
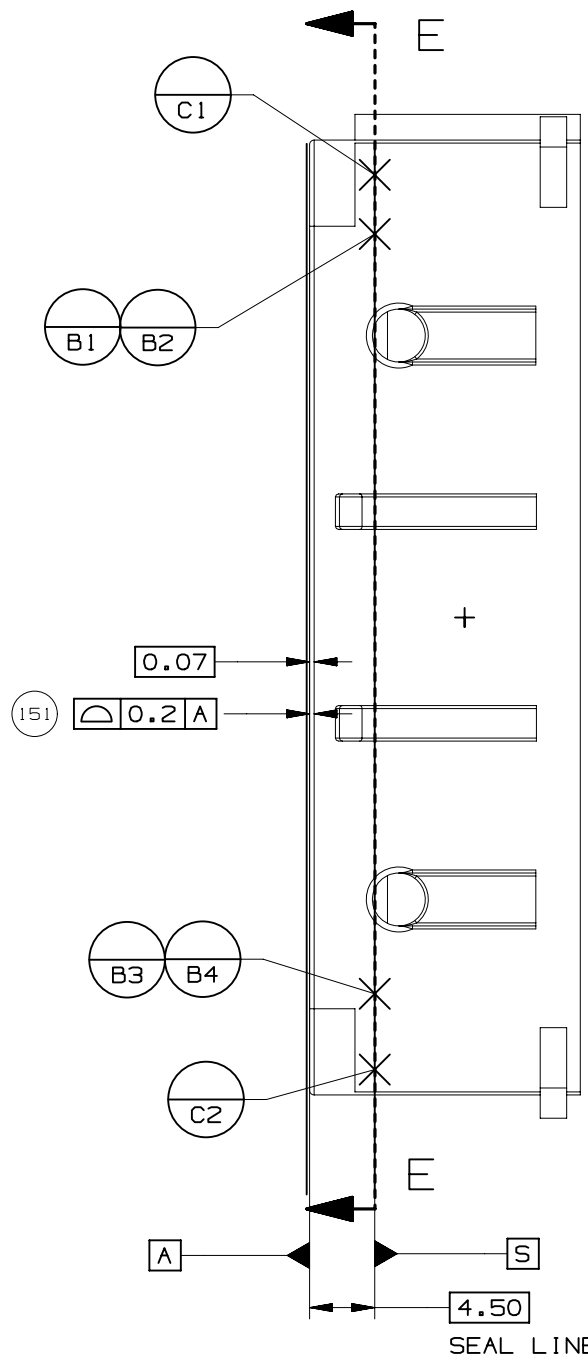
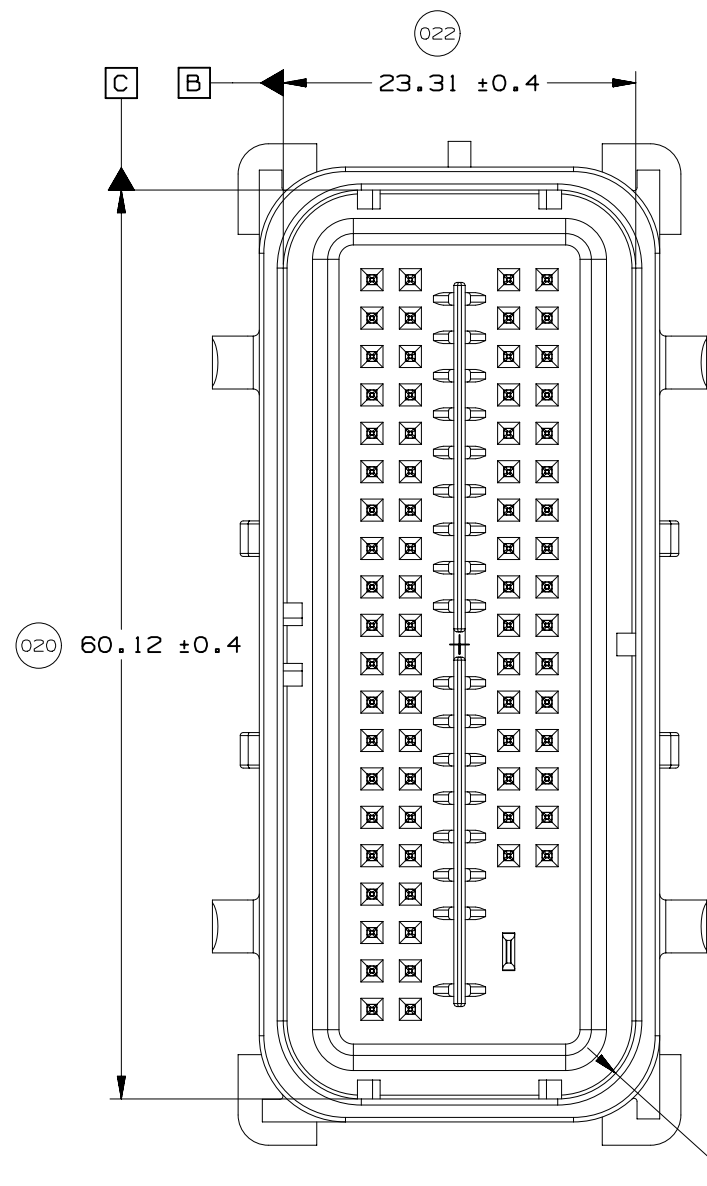
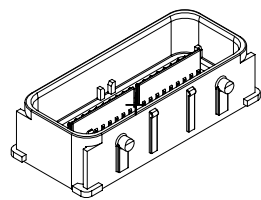


80 CKT COMPONENT CONNECTOR INTERFACE





	PAGE TITLE	DRAWING NUMBER	DWG STATUS			PAGE NUMBER	
	CIRCUIT CONFIGURATIONS		12642695	ST	REV	PDI	14 of 21
				R	002		



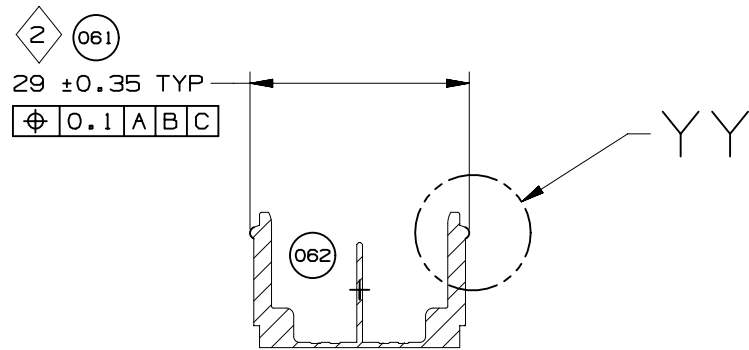
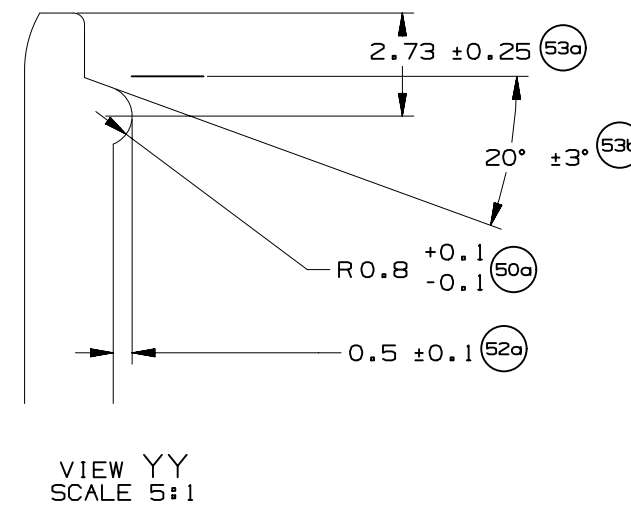
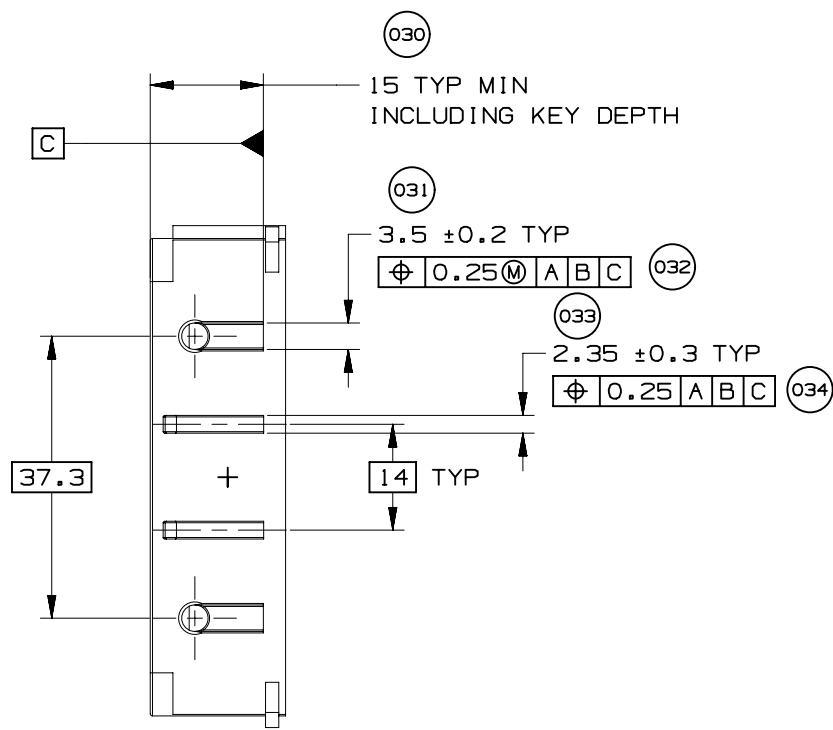
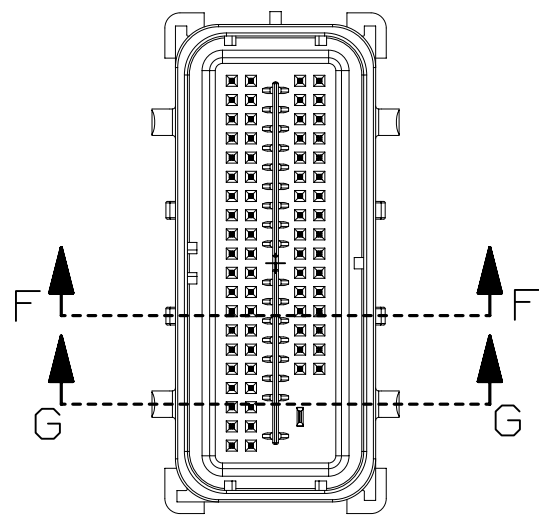
UNLESS SPECIFIED, TOLERANCE OF THE COMPONENT CONNECTOR INTERFACE TO BE  $\nabla 0.13 \text{ A B C}$



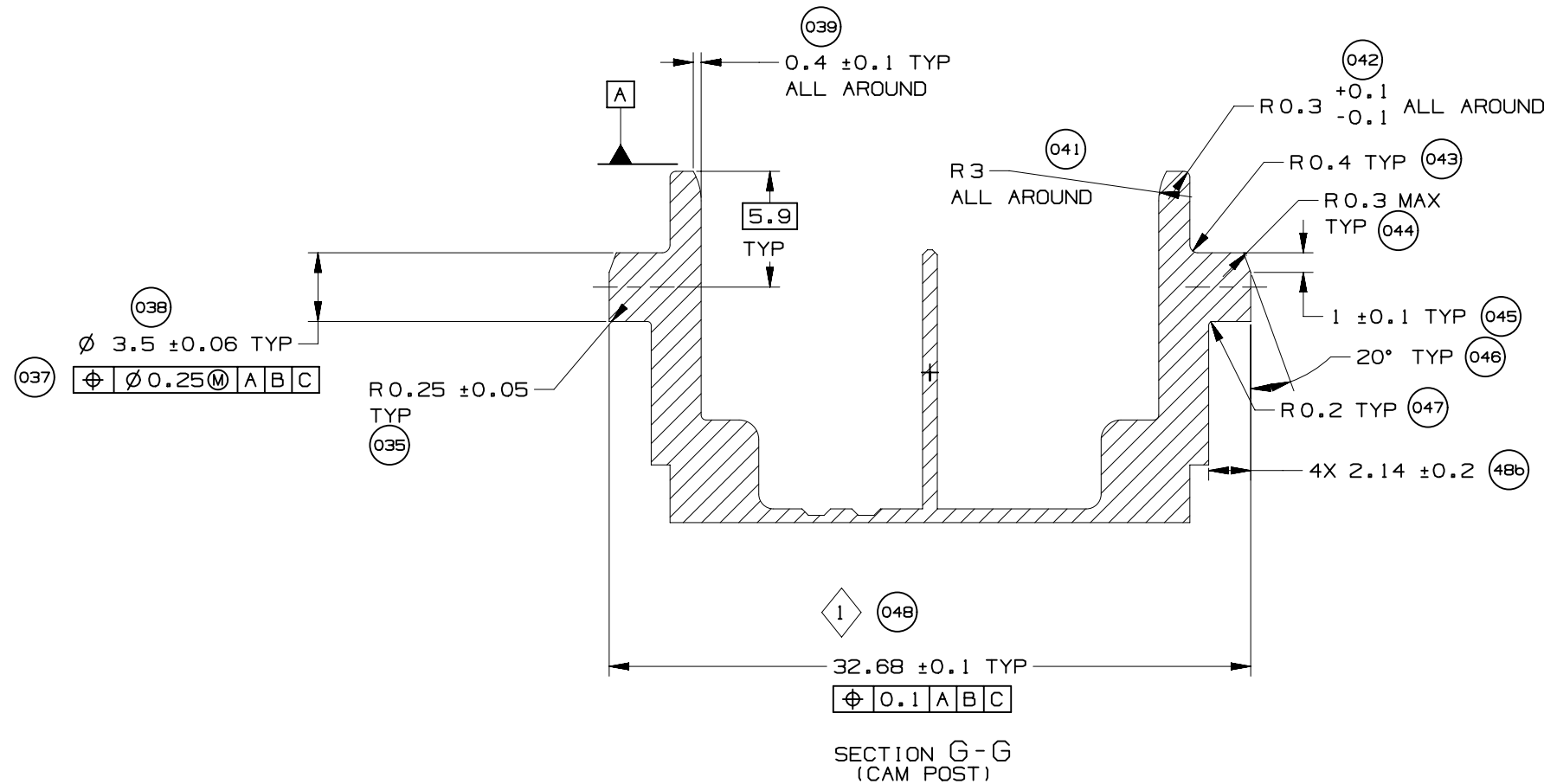
PAGE TITLE  
COMPONENT CONNECTOR INTERFACE

DRAWING NUMBER  
12642695

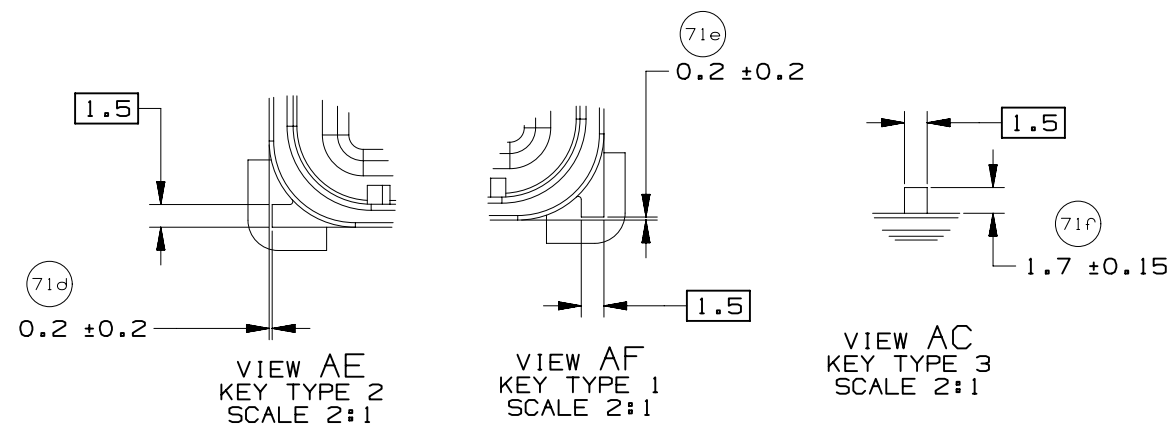
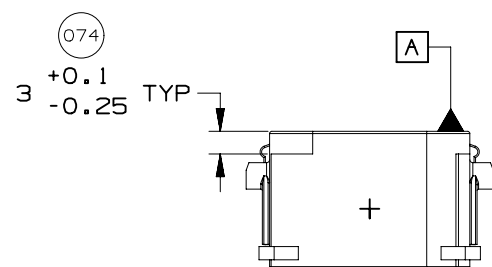
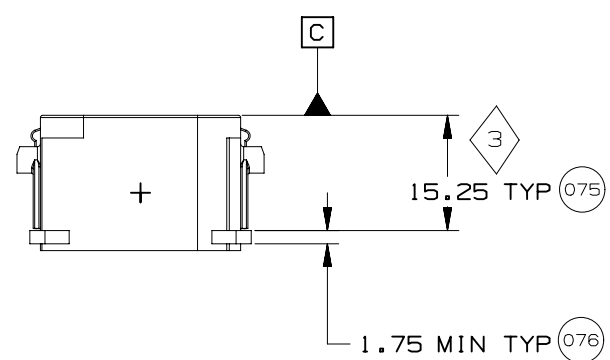
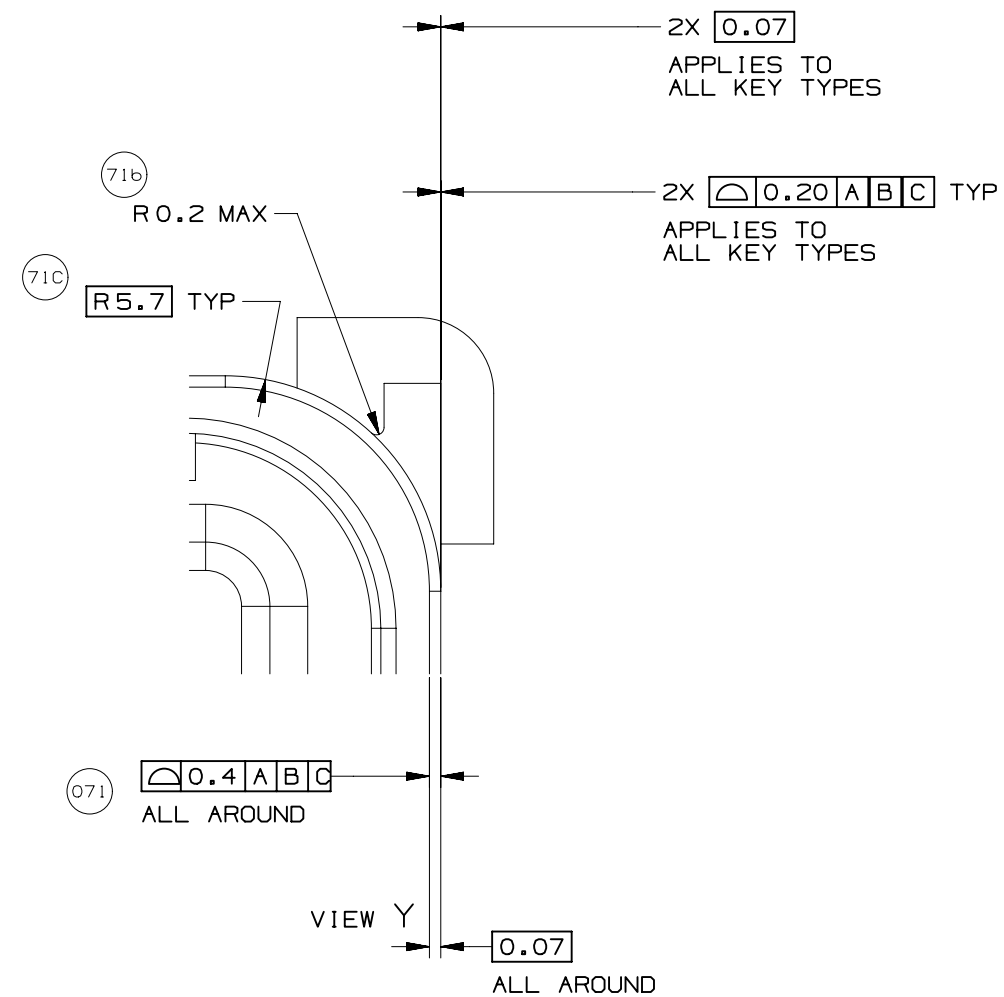
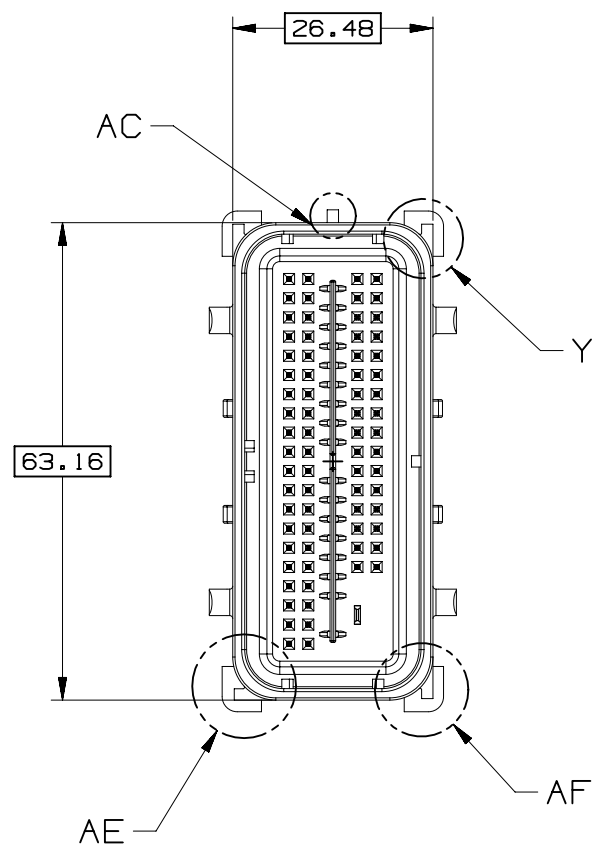
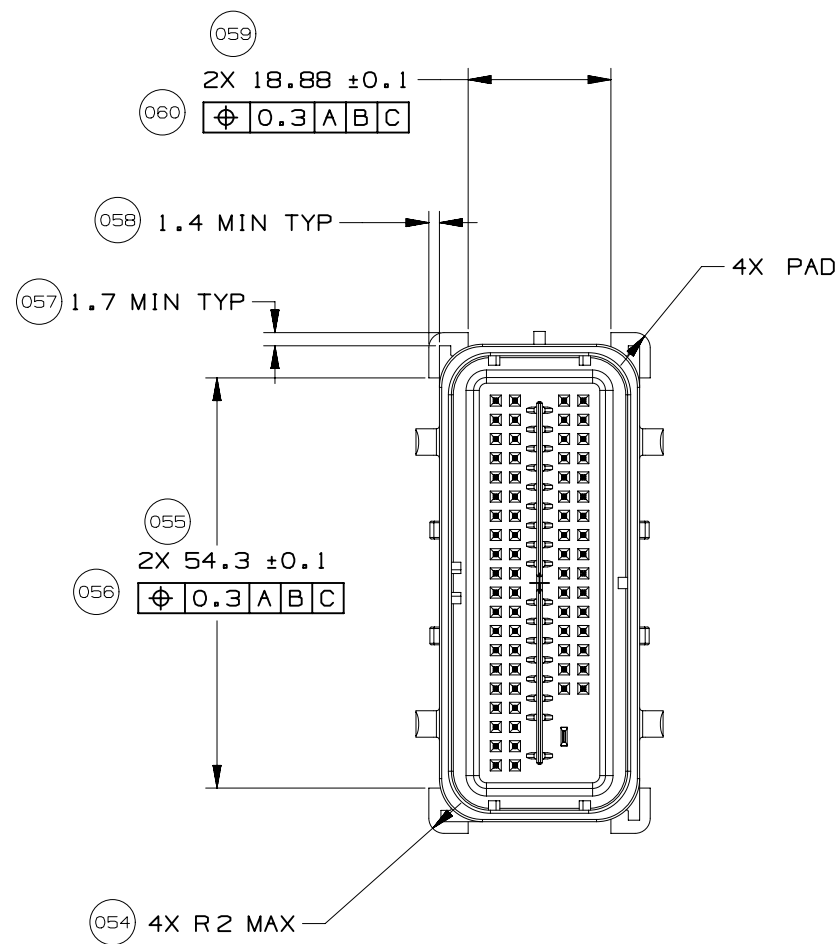
DWG STATUS			PAGE NUMBER
ST	REV	PD1	
R	002		15 OF 21



SECTION F-F



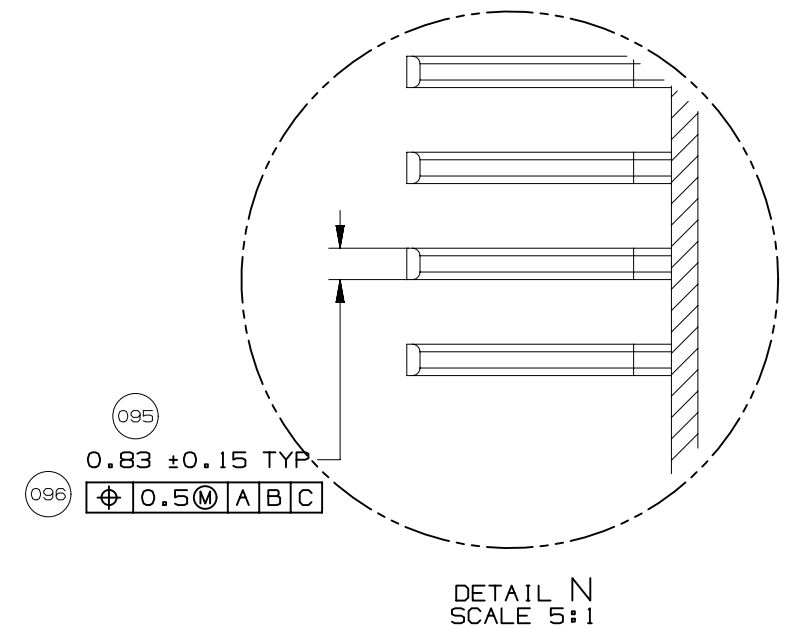
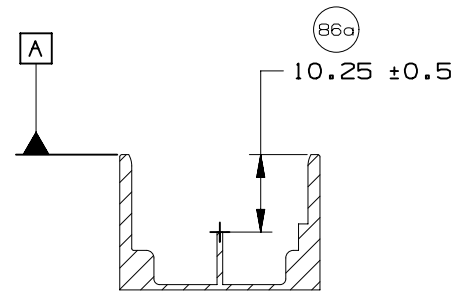
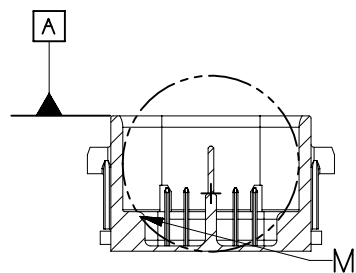
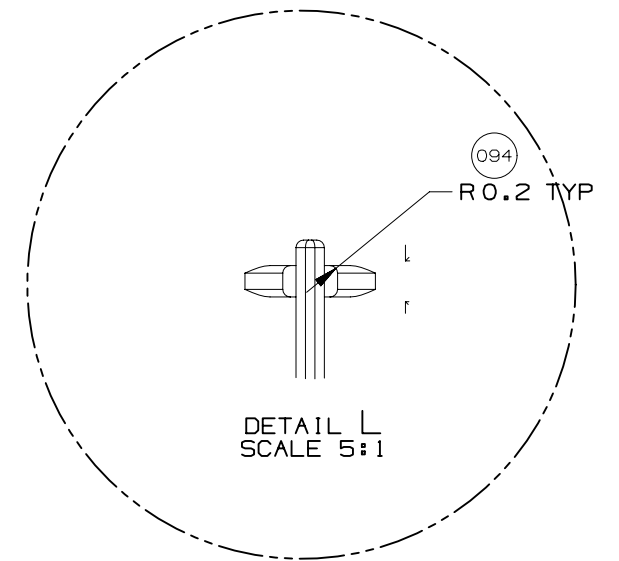
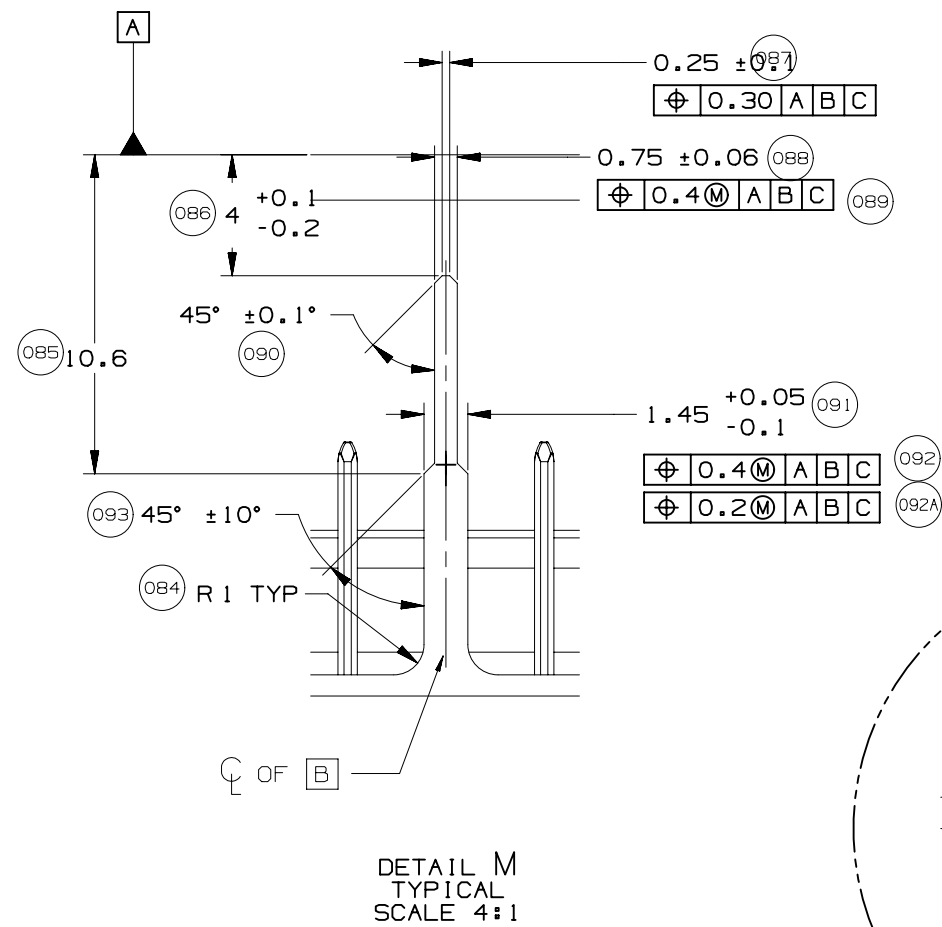
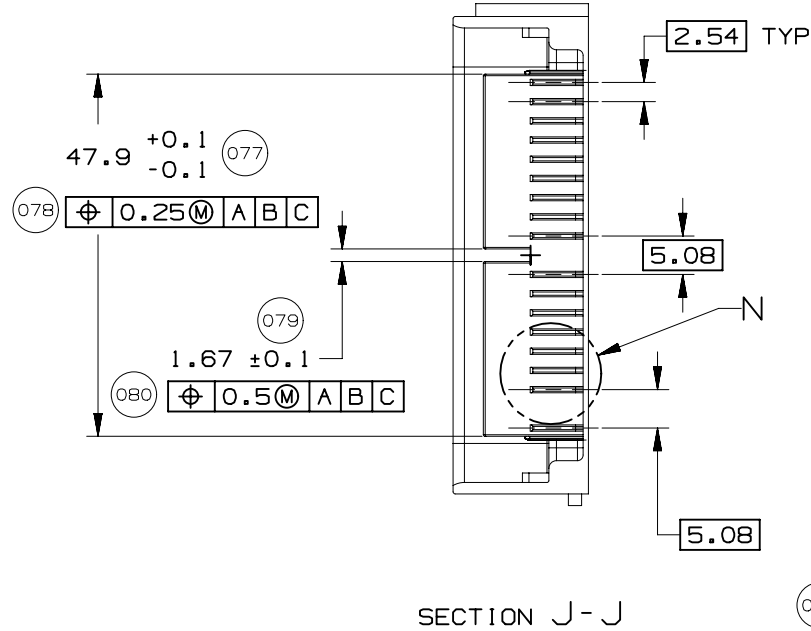
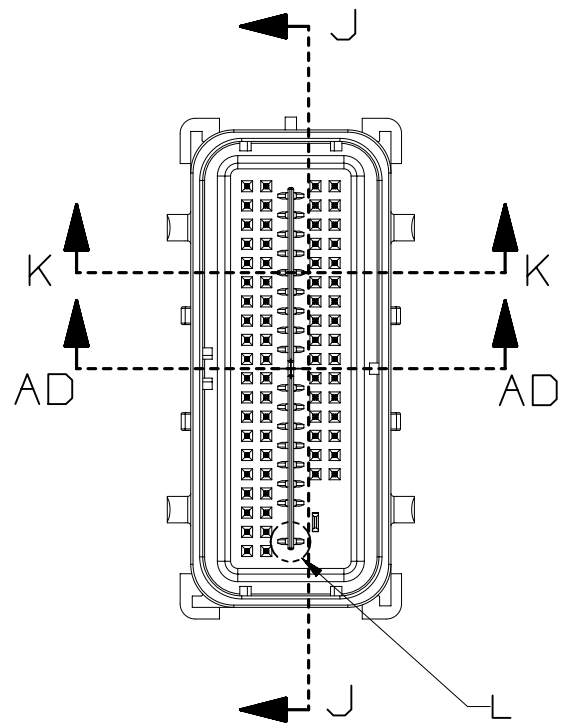


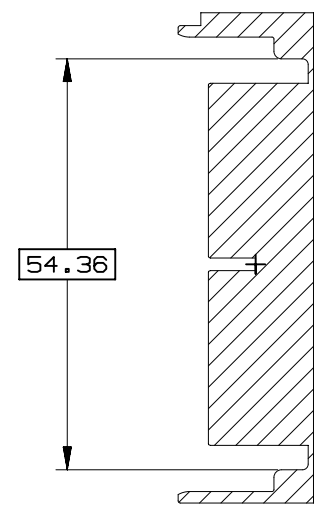
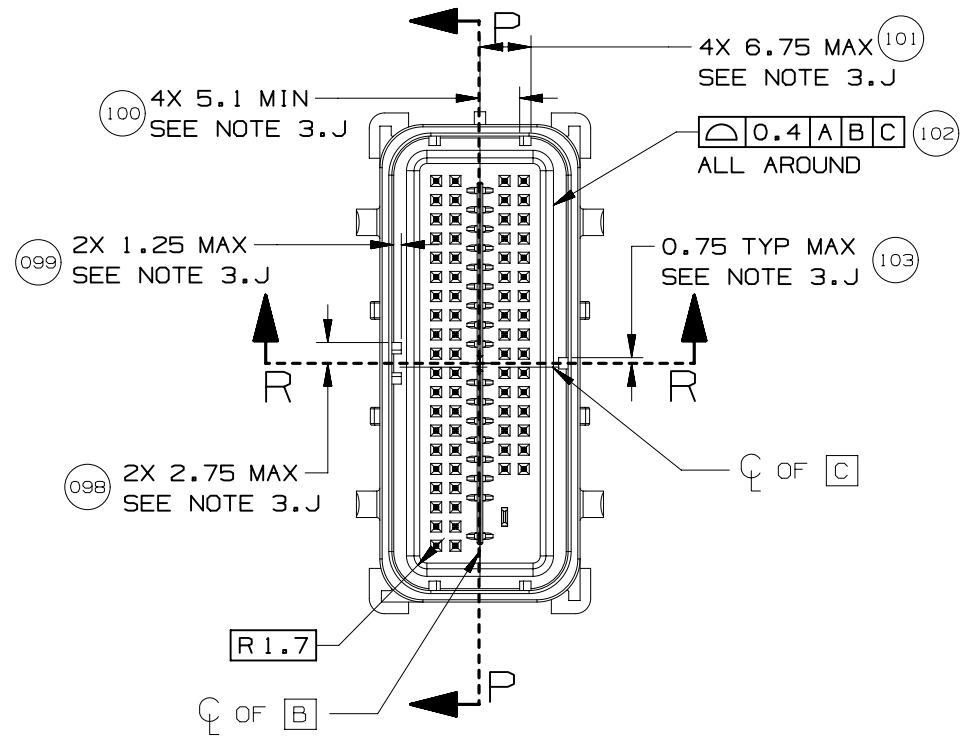


PAGE TITLE  
 COMPONENT CONNECTOR INTERFACE

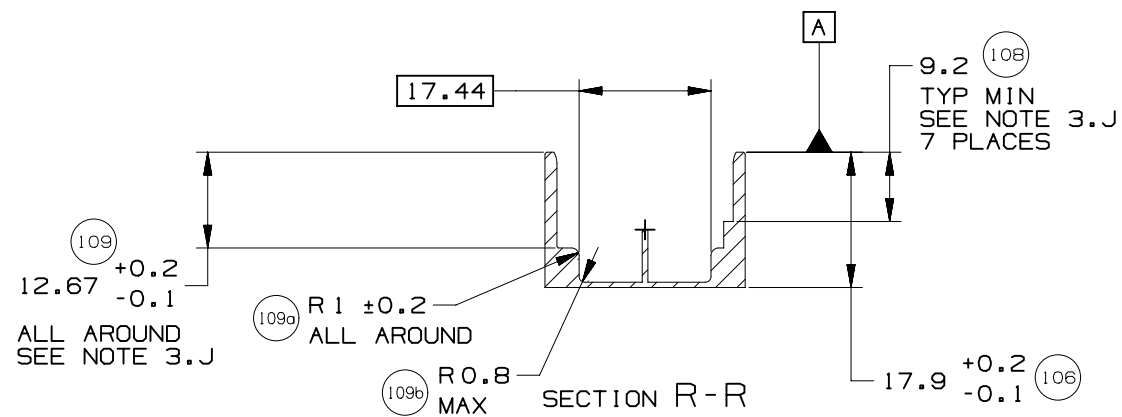
DRAWING NUMBER  
 12642695

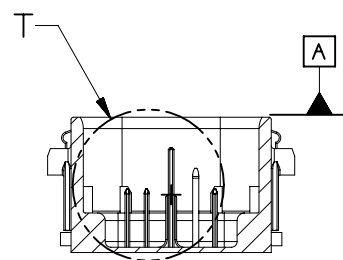
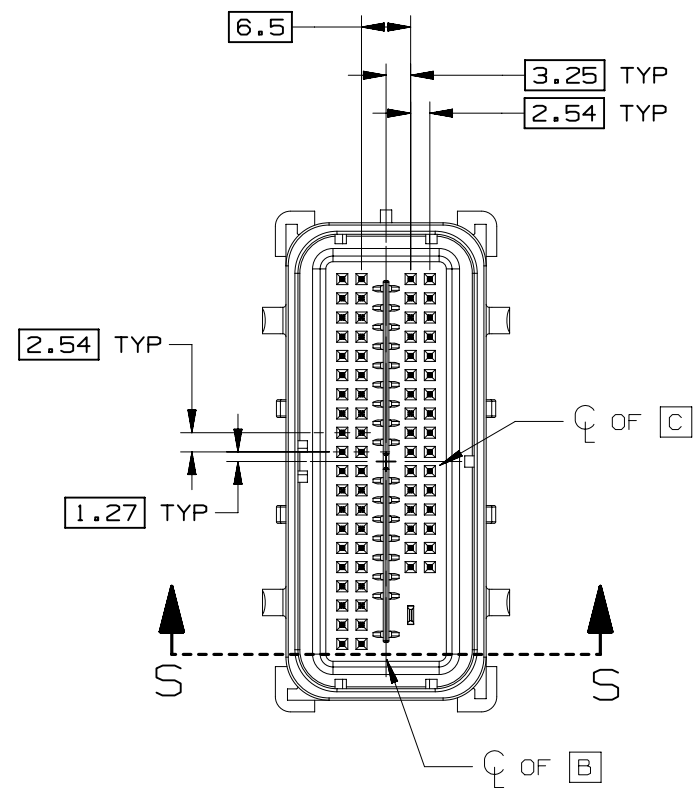
DWG STATUS			PAGE NUMBER	
ST	REV	PD1		
R	002		17	OF 21



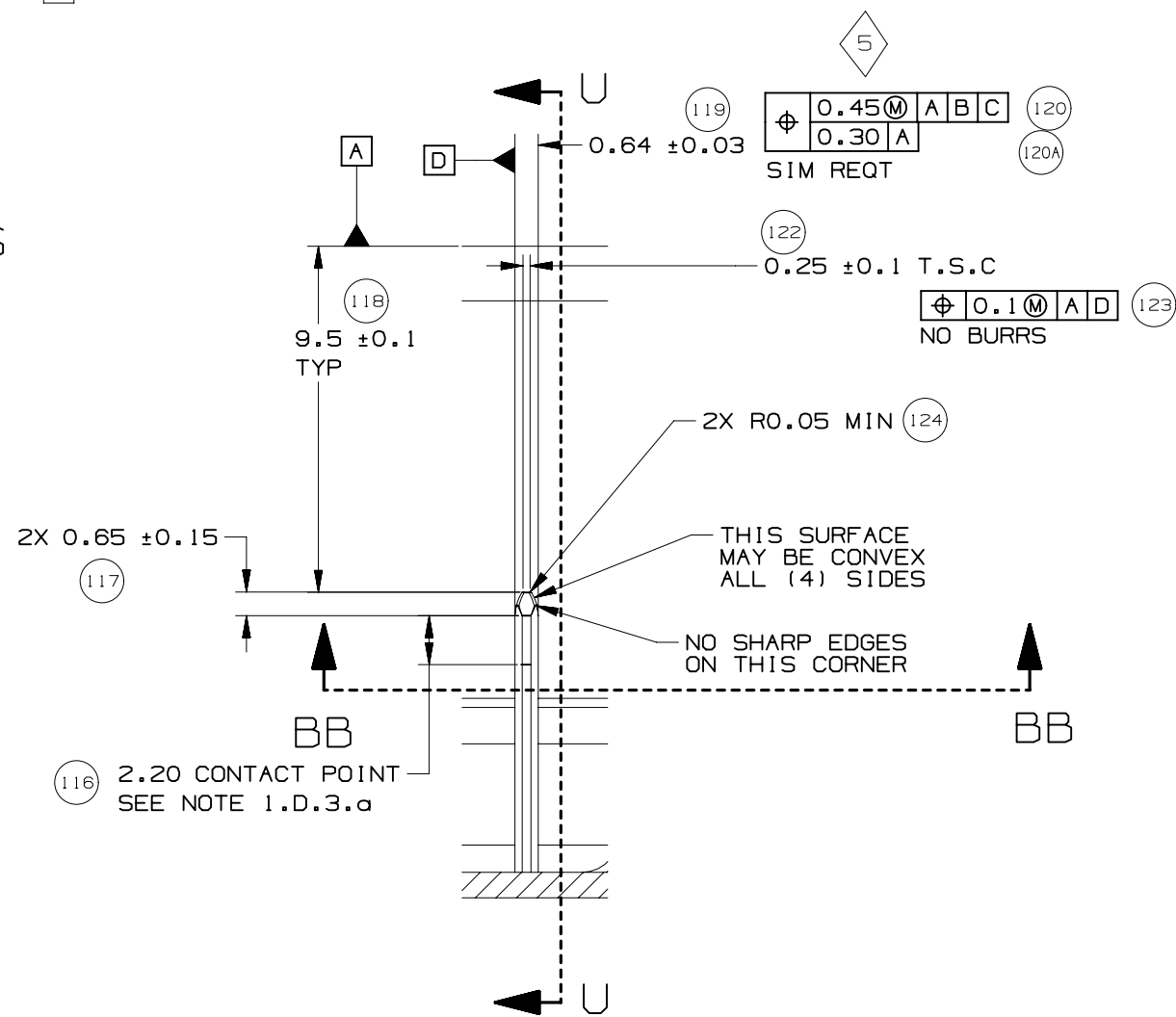


SECTION P-P

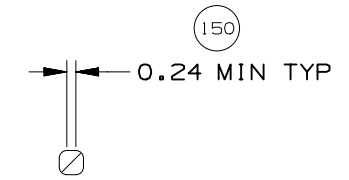




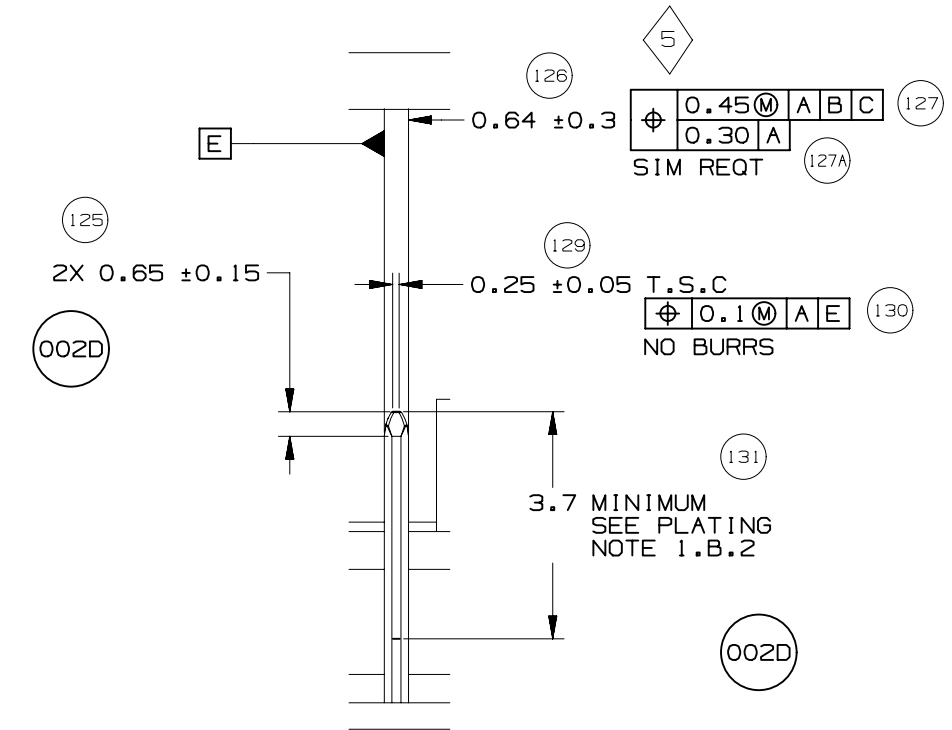
SECTION S-S



DETAIL T  
TYPICAL  
SCALE 5:1

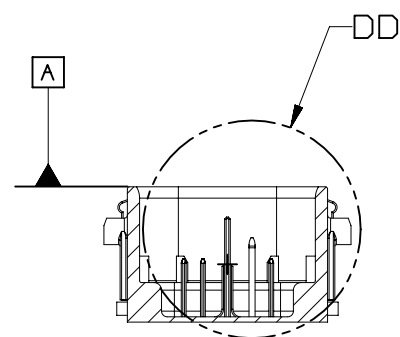
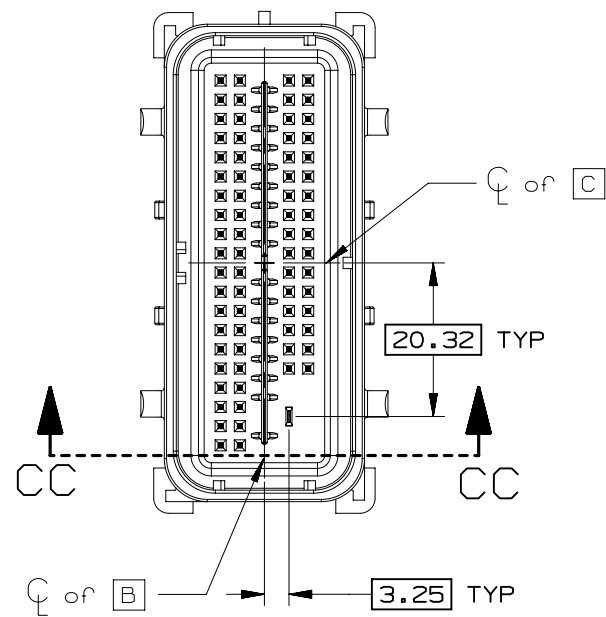


SECTION BB-BB

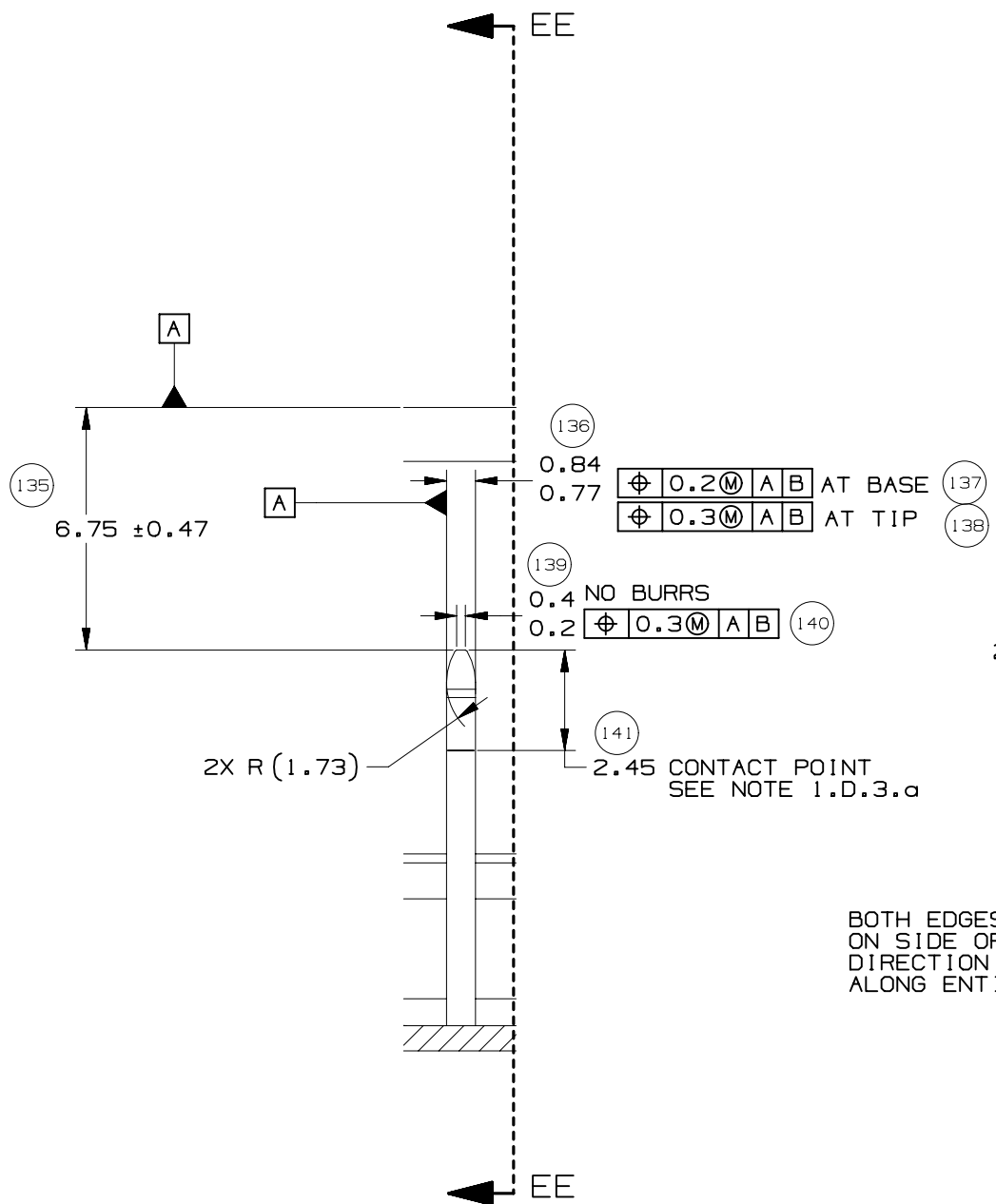


SECTION U-U

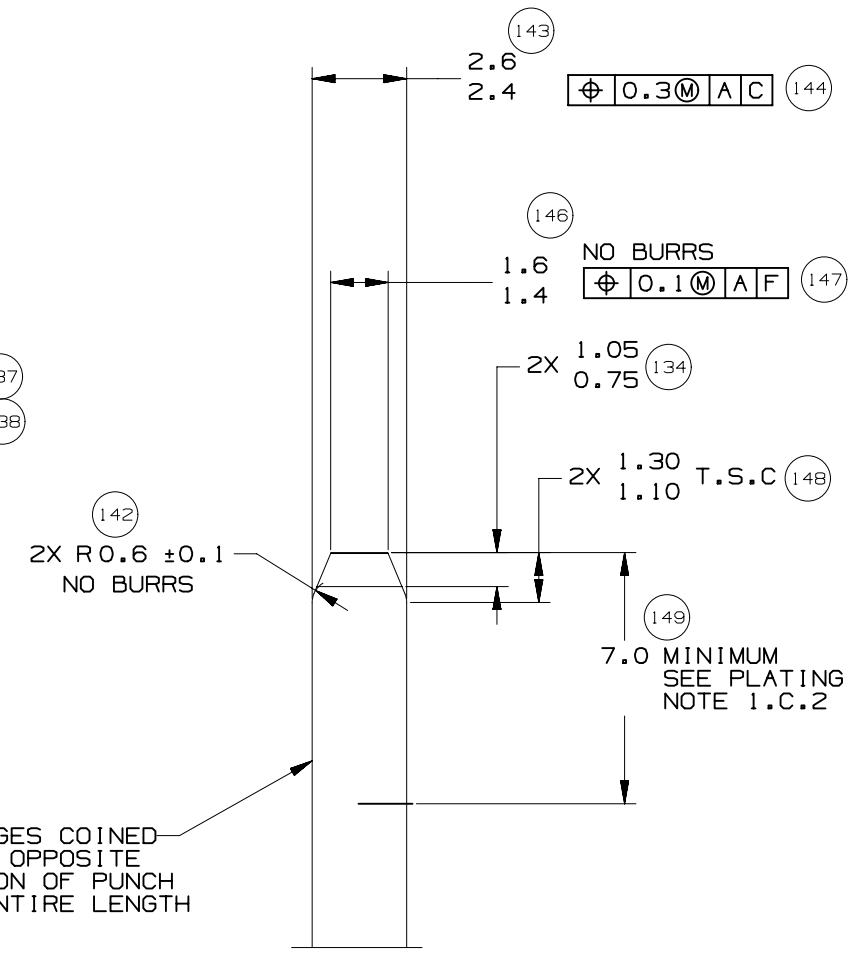




SECTION CC-CC



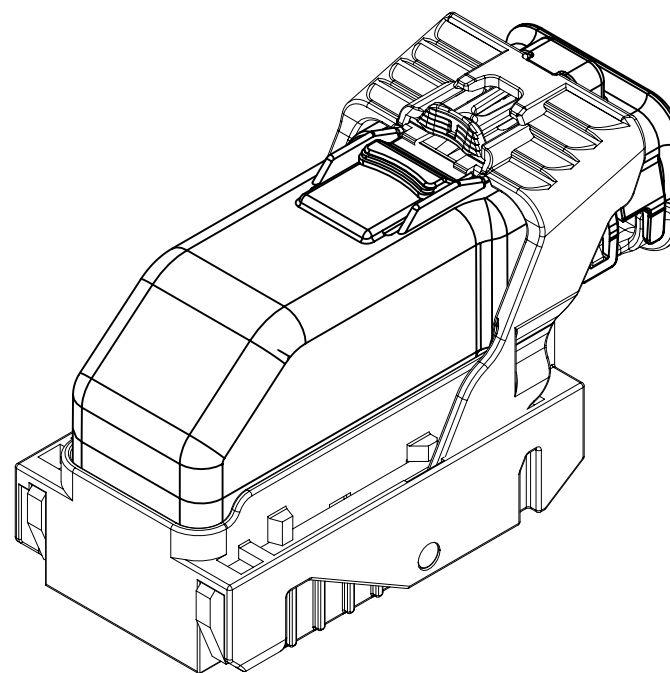
DETAIL DD  
TYPICAL  
SCALE 5:1




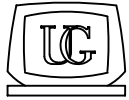
SECTION EE-EE  
TYPICAL



INDEX	
PAGE TITLE	PAGE
TITLE BLOCK	1
REVISION BLOCK	2
PART BLOCK	3
KPC BLOCK	4
COMPONENT TABLE	5
NOTES	6
NOTES	7
WIRE DRESS PACKAGING DIMENSIONS	8
LOCATION AND PACKAGING DIMENSIONS REFERENCING INTERFACE DATUMS B & C	9
LOCATION AND PACKAGING DIMENSIONS REFERENCING INTERFACE DATUM A	10
KEY ID REF - WIRE DRESS OPTION 0	11
KEY ID REF - WIRE DRESS OPTION 9	12
CIRCUIT CONFIGURATIONS	13
CIRCUIT CONFIGURATIONS	14
COMPONENT CONNECTOR INTERFACE	15
COMPONENT CONNECTOR INTERFACE	16
COMPONENT CONNECTOR INTERFACE	17
COMPONENT CONNECTOR INTERFACE	18
COMPONENT CONNECTOR INTERFACE	19
COMPONENT CONNECTOR INTERFACE	20
COMPONENT CONNECTOR INTERFACE	21
ADDITIONAL COMPONENTS REQUIRED	22




ISO VIEW

	<p><b>UNLESS OTHERWISE SPECIFIED:</b> THIS DOCUMENT IS IN ACCORDANCE WITH ASME Y14.5M-1994 AS AMMENDED BY THE GM GLOBAL DIMENSIONING AND TOLERANCING ADDENDUM-1997. ALL GEOMETRIC TOLERANCES AND RELATED DATUMS APPLY RFS. RULE #1 (PERFECT FORM AT MMC) DOES NOT APPLY WHEN A RELATIONSHIP BETWEEN FEATURES IS ESTABLISHED BY ORIENTATION OR LOCATION TOLERANCES. SEPARATE POSITION CALLOUTS MAY BE GAGED SEPARATELY REGARDLESS OF DATUM REFERENCES.</p>			DATE
	 CHANGE RESTRICTED NO MANUAL CHANGES	REFERENCE 12H (MOLEX AUTOMOTIVE)	DRAFTER APVD1 APVD2 APVD3 APVD4 APVD5	05JN15
DO NOT SCALE		DRAWING NAME		
METRIC DIMENSIONS SHOWN IN MILLIMETERS UNLESS OTHERWISE SPECIFIED		HARNESS CONN ASM-SEALED 52/66/73/80 CKTS, MX123		
DRAWING NUMBER		DWG STATUS		PAGE NUMBER
12672833		ST	REV	PD1
		R	001	
				1 OF 22

PAGE	DWG STATUS					REVISION HISTORY	AUTH	DR	CK	ENG
	DATE	ST	REV	CHG	PDI					
	05JN15	R	001			RELEASED TO PRODUCTION AT DLS A	CRMRJE	DFK		

PAGE	DWG STATUS					REVISION HISTORY	AUTH	DR	CK	ENG
	DATE	ST	REV	CHG	PDI					

	PAGE TITLE	DRAWING NUMBER	DWG STATUS			PAGE NUMBER	
	REVISION BLOCK		12672833	ST	REV	PDI	2 OF 22
				R	001		





KEY PRODUCT CHARACTERISTICS  
(IN ACCORDANCE WITH QN 1805 OR ON 1050)



SAFETY/COMPLIANCE

TOTAL ON  
DRAWING

4



FIT/FUNCTION

LAST NO.  
USED

4

NO	TYPE	DESCRIPTION	RATIONALE	PAGE/ZONE
1	F/F	32.68	IMPROVE CONNECTOR SYSTEM MATING	16
2	F/F	29.00	INSURE PROPER RELEASE OF LEVER	16
3	F/F	15.25	INSURE FINAL MATE POSITION	17
4	F/F	POSITIONAL TOLERANCE (2 PLACES)	INSURE CONNECTOR SYSTEM MATEABILITY	20



PAGE TITLE  
KPC BLOCK

DRAWING NUMBER

12672833

DWG STATUS

ST	REV	PDI
----	-----	-----

R	001	
---	-----	--

PAGE NUMBER

4 OF 22

LINE	MFG.	MFG. P/N	GM P/N	EFFECTIVE DATE	APPLICABLE COMPONENTS	KEY OPTION	WIRE DRESS OPTION	KEY CONFIG.	COLOR	STATUS
					DESCRIPTION					
-										
1	MOLEX	34565-0003	12582676	02JN03	MX123 DRESS COVER 52/66/73/80 CKT	N/A	N/A	N/A	BLACK	AVAILABLE
2	MOLEX	160094-0001	12672852	01SP13	MX123 HRNS CONN ASSY 52 CKT	A	0	1458	BLACK	AVAILABLE
3	MOLEX	160094-0003	12672854	01SP13	MX123 HRNS CONN ASSY 52 CKT	C	0	2467	BLUE	AVAILABLE
4	MOLEX	160094-0013	12672853	01SP13	MX123 HRNS CONN ASSY 52 CKT	A	9	1458	BLACK	AVAILABLE
5	MOLEX	160094-0015	12672855	01SP13	MX123 HRNS CONN ASSY 52 CKT	C	9	2467	BLUE	AVAILABLE
6	MOLEX	34822-0013	12672856	01SP13	MX123 HRNS CONN ASSY 66 CKT	A	0	1458	BLACK	AVAILABLE
7	MOLEX	34822-0033	12672858	01SP13	MX123 HRNS CONN ASSY 66 CKT	C	0	2467	BLUE	AVAILABLE
8	MOLEX	34822-0023	12672857	01SP13	MX123 HRNS CONN ASSY 66 CKT	A	9	1458	BLACK	AVAILABLE
9	MOLEX	34822-0043	12672859	01SP13	MX123 HRNS CONN ASSY 66 CKT	C	9	2467	BLUE	AVAILABLE
10	MOLEX	34566-0103	12672860	11JN04	MX123 HRNS CONN ASSY 73 CKT	A	0	1458	BLACK	AVAILABLE
11	MOLEX	34566-0203	12672862	11JN04	MX123 HRNS CONN ASSY 73 CKT	B	0	1468	ST GRAY	AVAILABLE
12	MOLEX	34566-0303	12672864	09AP08	MX123 HRNS CONN ASSY 73 CKT	C	0	2467	BLUE	AVAILABLE
13	MOLEX	34566-0603	12672866	05DC14	MX123 HRNS CONN ASSY 73 CKT	F	0	1357	NATURAL	AVAILABLE
14	MOLEX	34566-1303	12672861	11JN04	MX123 HRNS CONN ASSY 73 CKT	A	9	1458	BLACK	AVAILABLE
15	MOLEX	34566-1403	12672863	11JN04	MX123 HRNS CONN ASSY 73 CKT	B	9	1468	ST GRAY	AVAILABLE
16	MOLEX	34566-1503	12672865	09AP08	MX123 HRNS CONN ASSY 73 CKT	C	9	2467	BLUE	AVAILABLE
17	MOLEX	34566-1803	12672867	05DC14	MX123 HRNS CONN ASSY 73 CKT	F	9	1357	NATURAL	AVAILABLE
18	MOLEX	34566-0703	12672872	09AP08	MX123 HRNS CONN ASSY 80 CKT	G	0	1358	BLUE	AVAILABLE
19	MOLEX	34566-0803	12672870	11JN04	MX123 HRNS CONN ASSY 80 CKT	H	0	2458	ST GRAY	AVAILABLE
20	MOLEX	34566-0903	12672868	T.B.D	MX123 HRNS CONN ASSY 80 CKT	J	0	2457	BLACK	NOT ACTIVE
21	MOLEX	34566-1903	12672873	09AP08	MX123 HRNS CONN ASSY 80 CKT	G	9	1358	BLUE	AVAILABLE
22	MOLEX	34566-2003	12672871	11JN04	MX123 HRNS CONN ASSY 80 CKT	H	9	2458	ST GRAY	AVAILABLE
23	MOLEX	34566-2103	12672869	T.B.D	MX123 HRNS CONN ASSY 80 CKT	J	9	2457	BLACK	NOT ACTIVE
24	MOLEX	34736-0028	12672851	01AU10	MX64 RCPT TERM Ag 0.5mm/0.75mm ISO GAGE B (RIGHT PAYOFF)	N/A	N/A	N/A	N/A	AVAILABLE
25	MOLEX	34736-0026	12672850	01AU10	MX64 RCPT TERM Ag 0.35mm ISO GAGE B (RIGHT PAYOFF)	N/A	N/A	N/A	N/A	AVAILABLE
26	MOLEX	34586-0001	12674820	11JN04	MX123 0.64mm GROMMET PLUG	N/A	N/A	N/A	NATURAL	AVAILABLE
27	YAZAKI	7116-4150-02	12588066	02JN03	2.8mm YESC SEALED FEMALE TERMINAL TIN 0.35mm2-0.50mm2	N/A	N/A	N/A	N/A	NOT ACTIVE
28	YAZAKI	7116-4151-02	12588067	02JN03	2.8mm YESC SEALED FEMALE TERMINAL TIN 0.75mm2-1.0mm2	N/A	N/A	N/A	N/A	NOT ACTIVE
29	YAZAKI	7116-4152-02	12582685	02JN03	2.8mm YESC SEALED FEMALE TERMINAL TIN 1.5mm2-2.5mm2	N/A	N/A	N/A	N/A	AVAILABLE
30	YAZAKI	7158-3111-60	12588068	02JN03	2.8mm CABLE SEAL (wire O.D. range 1.2mm-1.9mm)	N/A	N/A	N/A	GREEN	NOT ACTIVE
31	YAZAKI	7158-3112-70	12588069	02JN03	2.8mm CABLE SEAL (wire O.D. range 1.8mm-2.3mm)	N/A	N/A	N/A	YELLOW	NOT ACTIVE
32	YAZAKI	7158-3113-40	12582686	02JN03	2.8mm CABLE SEAL (wire O.D. range 2.1mm-3.0mm)	N/A	N/A	N/A	WHITE	AVAILABLE
33	YAZAKI	7158-3114-90	12674821	02JN03	2.8mm YESC CAVITY PLUG	N/A	N/A	N/A	BLUE	AVAILABLE
34	MOLEX	63825-8400	N/A	02JN03	MX64 TERM HAND CRIMP TOOL	N/A	N/A	N/A	N/A	AVAILABLE
35	MOLEX	63813-1400	XX019826	02JN03	MX64 TERM SERVICE TOOL	N/A	N/A	N/A	N/A	AVAILABLE
36	MOLEX	63902-5300	N/A	02JN03	MX64 CRIMP APPLICATOR with TOOL KIT 0.5/0.75mm2 PAYOFF DIRECTION D (left payoff) (contact Molex for payoff detail)	N/A	N/A	N/A	N/A	AVAILABLE
37	MOLEX	63902-5370	N/A	02JN03	MX64 APPLICATOR TOOL KIT 0.5/0.75mm2	N/A	N/A	N/A	N/A	AVAILABLE
38	MOLEX	63902-5100	N/A	02JN03	MX64 CRIMP APPLICATOR with TOOL KIT 0.35mm2 PAYOFF DIRECTION D (left payoff) (contact Molex for payoff detail)	N/A	N/A	N/A	N/A	AVAILABLE
39	MOLEX	63902-5170	N/A	02JN03	MX64 APPLICATOR TOOL KIT 0.35mm2	N/A	N/A	N/A	N/A	AVAILABLE
40	SPX	J35616-64	T.B.D.	02JN03	0.64mm PROBE TOOL (for rcpt)	N/A	N/A	N/A	N/A	AVAILABLE
41	SPX	J35616-64A	T.B.D.	02JN03	0.64mm PROBE TOOL WITH EXT (for rcpt)	N/A	N/A	N/A	N/A	AVAILABLE
42	SPX	J35616-65	T.B.D.	02JN03	0.64mm PROBE TOOL WITH EXT (for pin)	N/A	N/A	N/A	N/A	AVAILABLE
43	SPX	J35616-4A	T.B.D.	02JN03	2.8mm PROBE TOOL (for rcpt)	N/A	N/A	N/A	N/A	AVAILABLE
44	YAZAKI	X39899-J374	12094430	02JN03	2.8mm TERM SERVICE TOOL	N/A	N/A	N/A	N/A	AVAILABLE
45	TQI	7000-1006	N/A	15JN15	52 CKT PASS THROUGH ADAPTERS	N/A	N/A	N/A	BLACK	AVAILABLE
46	TQI	7000-1002	N/A	15JN15	66 CKT PASS THROUGH ADAPTERS	N/A	N/A	N/A	BLACK	AVAILABLE
47	TQI	79917-0061	N/A	15JN15	73 CKT PASS THROUGH ADAPTERS	N/A	N/A	N/A	BLACK	AVAILABLE
48	TQI	79917-0066	N/A	15JN15	80 CKT PASS THROUGH ADAPTERS	N/A	N/A	N/A	BLACK	AVAILABLE

\* - MX123 DRESS COVER 52/66/73/80 CKT MATES TO ANY MX123 HARN CONN ASSY SHOWN ON TABLE ABOVE



PAGE TITLE  
COMPONENT TABLE

DRAWING NUMBER

12672833

DWG STATUS

ST REV PDI

R 001

PAGE NUMBER

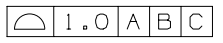
5 OF 22

NOTES: UNLESS OTHERWISE SPECIFIED

1. MATERIAL FOR INTERFACE:


- A. RESIN:
  - 1. 30% G.F. PBT; 20% MAX. (BY WEIGHT) REGRIND.
  - 2. MATING CONNECTOR INTERFACE PART COLOR MUST BE SAME AS MATCHING KEYED HARNESS CONNECTOR ASSEMBLY.
  - 3. MUST BE VALIDATED FOR INDIVIDUAL DEVICE APPLICATION REQUIREMENTS.
- B. 0.64MM PINS:
  - 1. BASE MATERIAL: COPPER ALLOY; CONDUCTIVITY >= 28% IACS AT 20°C; TENSILE STRENGTH >= 635 N/mm<sup>2</sup>; SURFACE ROUGHNESS R<sub>a</sub> 6 MAX.
  - 2. PLATING FINISH: SILVER (Ag). PLATING TO BE 1.9-3.3 μm ELECTRODEPOSITED SEMI-BRIGHT SILVER OVER 1.25-2.25 μm DUCTILE SULPHAMATE NICKEL PER NOTE 1(D).
  - 3. ANTI-TARNISH: SYNTHETIC HYDROCARBON CONTACT SURFACE FINISH OR EQUIVALENT APPLIED WITHOUT VOID TO CONTACT AREA (MIN 3.7mm FROM PIN TIP).
- C. 2.8MM BLADE:
  - 1. BASE MATERIAL: COPPER ALLOY; CONDUCTIVITY >= 28% IACS AT 20°C; TENSILE STRENGTH >= 350 N/mm<sup>2</sup>; SURFACE ROUGHNESS R<sub>a</sub> 6 MAX.
  - 2. PLATING FINISH: TIN. PLATING TO BE 2.5-5.0 μm ELECTRODEPOSITED TIN, MATTE FINISH OVER 1.25-2.5 μm DUCTILE SULPHAMATE NICKEL PER NOTE 1(D).
- D. PLATING REQUIREMENTS:
  - 1. SILVER PLATING
    - a. 99.5% PURE SEMI-BRIGHT WITH NO ORGANIC BRIGHTNERS OR CHROMATES.
  - 2. NICKEL PLATING
    - a. ELECTRODEPOSITED DUCTILE SULFAMATE NICKEL WITH A NON-BRIGHTENED FINISH. NO ORGANIC OR BRIGHTENING AGENTS SHALL BE ALLOWED.
    - b. SHALL ONLY BE USED AS AN UNDERLYING PLATING AND MAY NOT BE USED AS AN ELECTRICAL CONTACT SURFACE PLATING.
    - c. SHALL BE NODULE FREE WHEN VIEWED AT 10X MAGNIFICATION IN MEASURED IN CONTACT SURFACE AREA PLUS 0.5MM PERIMETER AROUND THE CONTACT SURFACE AREA.
    - d. ALL PLATINGS SHALL HAVE A 1.0% MAXIMUM BY WEIGHT IMPURITIES. IMPURITIES ARE DEFINED AS ALL ELEMENTS NOT THE PRIMARY PLATING OR HARDENING AGENT IF APPLICABLE, AS DETERMINED BY WET CHEMICAL ANALYSIS OR AUGER METHOD. NO SINGLE IMPURITY SHALL EXCEED 0.1% MAXIMUM BY WEIGHT.
  - 3. TESTING
    - a. THICKNESS TO BE MEASURED IN CONTACT SURFACE AREA PLUS 0.5MM PERIMETER AROUND THE CONTACT SURFACE AREA AS DESIGNATED IN THE DRAWING. THICKNESS SHALL BE DETERMINED BY METHOD OF X-RAY (XRF).
    - b. PLATING ADHESION SHALL BE TESTED BY A BEND TEST FOR ALL METALS. THE TEST SAMPLE SHALL BE BENT 90 DEGREES TO DETERMINE DEPOSIT ADHESION. TESTING SHALL BE COMPLETED IN ACCORDANCE WITH ASTM SPEC B571.

2. DESIGN - GENERAL:

- A. THIS IS A 100% CAD GENERATED PART. THE CAD MATHEMATICAL DATA IS THE MASTER FOR THIS PART. FOR DIMENSIONAL OR ANY INFORMATION NOT SHOWN ON THIS DRAWING, ANALYZE THE CAD MODEL.
- B. TOLERANCES:
  - 1. LINEAR
    - 0.X ± 0.30
    - 0.XX ± 0.10
    - 0.XXX ± 0.10
  - 2. ANGULAR X° ± 3°
  - 3. 
- C. MINIMUM WALL THICKNESS REQUIRED: 1.3mm.
- D. CORNERS SHOWN AS SHARP TO BE R 0.2 MAX.
- E. LETTERING SHALL BE 0.15 MAX RAISED IN 0.20 MAX RECESS PAD. THIS INCLUDES MATERIAL CODE, RECYCLING CODE, CAVITY ID AND DATE CODE.
- F-1. PARTS MUST BE FREE OF DISCOLORATION, SALT RESIDUE AND OTHER IMPERFECTIONS THAT AFFECT FIT OR FUNCTION.
- F-2. SCRATCHES OR DENTS NOT TO EXCEED 0.013mm IN DEPTH.
- G. FOLLOWING PRODUCTION CODES TO BE PERMANENTLY MARKED & HUMAN READABLE TO A LETTER HEIGHT OF 1.5 ± 0.5MM X 0.3 MAX DEEP
  - 1. MATERIAL #: XXXXX-XXXX
  - 2. DATE CODE: JJYY (JULIAN DAY, LAST DIGIT OF YEAR)
  - 3. INSPECTION MACHINE CODE + SERIAL #: X\_XXXXX

3. DESIGN - MANUFACTURING:

- A. DRAFT TO BE WITHIN TOLERANCE.
- B. ALLOWABLE FLASH MAX 0.2 HIGH X MAX 0.13 THICK.
- C. ALLOWABLE PARTING LINE MISMATCH 0.2 MAX.
- D. EJECTOR PINS MARK TO BE FLUSH TO 0.25 MAX DEPRESSED.
- E. ALLOWABLE GATE VESTIGE FLUSH TO 0.25 MAX PROTRUSION.
- F. NO EXTERNAL MOLD RELEASE AGENT ALLOWED DURING MANUFACTURING.
- G. STEEL THAT FORMS THE INDICATED SURFACE MUST BE POLISHED WITH A DIAMOND FINISH (SPI A-2) OVER THE FULL PERIPHERY OF THE TOOL. SURFACE MUST HAVE NO MISMATCH.
- H. ANY PROCESS LUBRICANT REMAINING ON THE TERMINAL MUST NOT VARNISH OR DEGRADE IT'S ELECTRICAL PERFORMANCE UP TO A MAXIMUM CLASS AMBIENT TEMPERATURE PER SAE USCAR-2 FOR 1008 HOURS. PROCESS LUBRICANTS SHOULD BE APPROVED BY THE RESPONSIBLE ENGINEER.
- J. OPTIONAL FEATURES PROVIDED FOR AUTOMATION.
- K. PART MUST BE FREE FROM BURRS AND SHARP EDGES, WHICH MIGHT BE DETRIMENTAL TO SATISFACTORY ASSEMBLY, SAFE HANDLING OR FUNCTION OF PART.
- L. PARTS AS DELIVERED TO ASSEMBLY SHALL BE CLEAN AND FREE OF DEBRIS, RESIDUAL ABRASIVE MATERIAL AND CORROSION PRODUCTS ADVERESLY AFFECTING FUNCTION OR APPEARENCE.
- M. RESTRICTED AND REPORTABLE SUBSTANCES FOR PARTS PER GMW3059.

	PAGE TITLE	DRAWING NUMBER	DWG STATUS			PAGE NUMBER	
	NOTES		12672833	ST	REV	PDI	6 OF 22
				R	001		

NOTES: UNLESS OTHERWISE SPECIFIED

4. SYSTEM REQUIREMENTS:

- A. HARNESS CONNECTOR IS COMPATIBLE WITH THE FOLLOWING ISO WIRE SIZE NO'S:  
 0.35mm<sup>2</sup>, MEETING GMW15626 - MIN OD OF 1.30MM  
 0.50mm<sup>2</sup>, MEETING GMW15626  
 0.75mm<sup>2</sup>, MEETING GMW15626 - MAX OD OF 2.06MM

B. CABLE TIE SPECIFICATIONS:

1. CABLE TIE:  
 TENSILE RATING: 220N / (50lbs) MIN  
 TIE LENGTH: 186mm MIN  
 TIE WIDTH: 4.75mm MAX  
 MATERIAL: NYLON  
 2. INSTALLATION:  
 CABLE TIE TENSION: 190N MIN  
 3. DRESSED WIRE BUNDLE PACKAGING: SEE FIG. 1

C. WHEN MATED WITH COMPONENT CONNECTOR INTERFACE AND/OR DRESS COVER, HARNESS CONNECTOR SYSTEM CONFORMS TO THE FOLLOWING:

1. SAE/USCAR-2, REV: 3 APRIL, 2001; CLASS 3  
 2. FIELD CORRELATED LIFE TEST, SAE/USCAR-20, NOV. 2001  
 3. GMW #3191 AUGUST 22, 2000 (DRAFT); TEMPERATURE CLASS 3, SEALING CLASS 1, VIBRATION CLASS 2  
 4. RESTRICTED AND REPORTABLE CHEMICALS PER GMW #3059, REV: D AUGUST 2002  
 5. TPA USER FORCES (FULLY POPULATED WITH TERMINALS)  
 a. REMOVAL FROM LOCK TO PRE-SET: <=120N

D. WIRE SPECIFICATIONS:

1. WIRE SURFACE MUST BE FREE OF SCRATCHES, GROOVES OR DENTS WHERE FUNCTIONAL

5. TERMINAL CURRENT RATINGS:

A. MX64 RCPT TERM

ALL TESTING DONE IN ACCORDANCE WITH USCAR-2 REV5 SECTION 5.3

1. MX64 RCPT TERM Ag 0.50/0.75mm<sup>2</sup> CRIMPED TO 0.75mm<sup>2</sup> ISO WIRE AND MATED TO MX123 0.64MM PIN: SEE TABLE BELOW  
 2. MX64 RCPT TERM Ag 0.35mm<sup>2</sup> CRIMPED TO 0.35mm<sup>2</sup> ISO WIRE AND MATED TO MX123 0.64MM PIN: SEE TABLE BELOW

WIRE	CURRENT RATING			
	23°C	85°C	105°C	125°C
0.75mm <sup>2</sup>	11.3A	11.3A	9.5A	6.6A
0.50mm <sup>2</sup>	10.0A	10.0A	8.3A	5.7A
0.35mm <sup>2</sup>	8.5A	8.5A	7.1A	5.0A

B. 2.8MM RCPT TERM

ALL TESTING DONE IN ACCORDANCE WITH MOLEX DVP&R 0279 (TR # 7125)

1. 2.8MM RCPT TERM TIN 2.0mm<sup>2</sup> CRIMPED TO 2.0mm<sup>2</sup> ISO WIRE AND MATED TO MX123 2.8MM BLADE: 25.6 AMPS AT 125°C

6. CONTACT MOLEX AUTOMOTIVE FOR AVAILABLE CUSTOM PATTERNS OF CAVITIES OPEN FOR CIRCUITS - SEE GM DRAWING 13507496



PAGE TITLE  
NOTES

DRAWING NUMBER

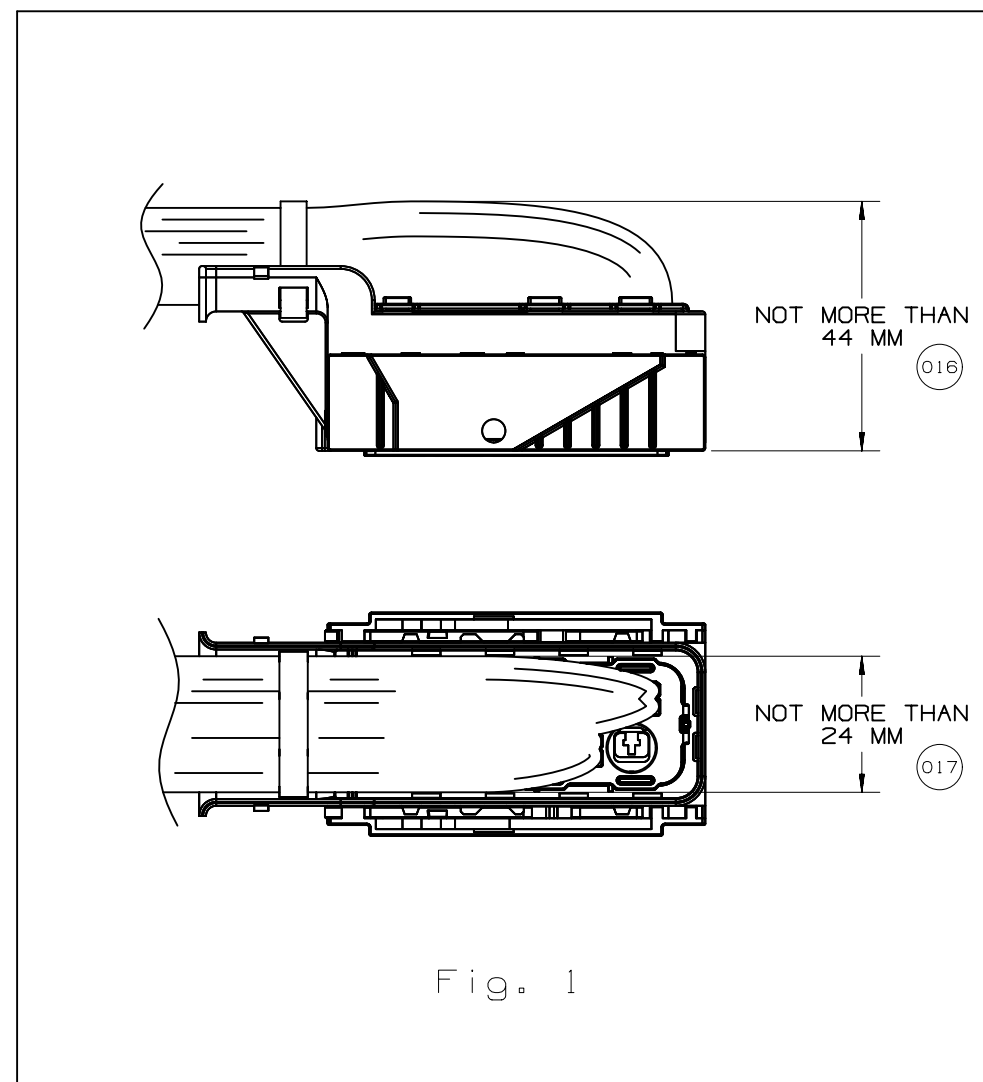
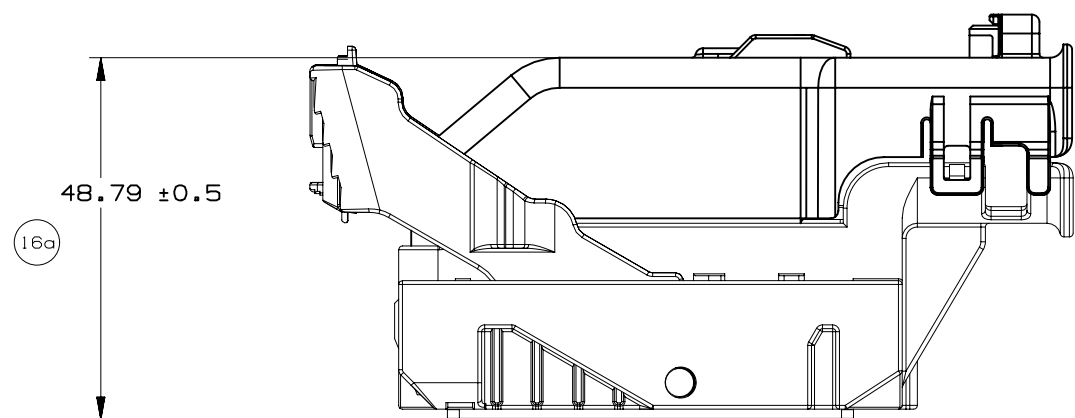
12672833

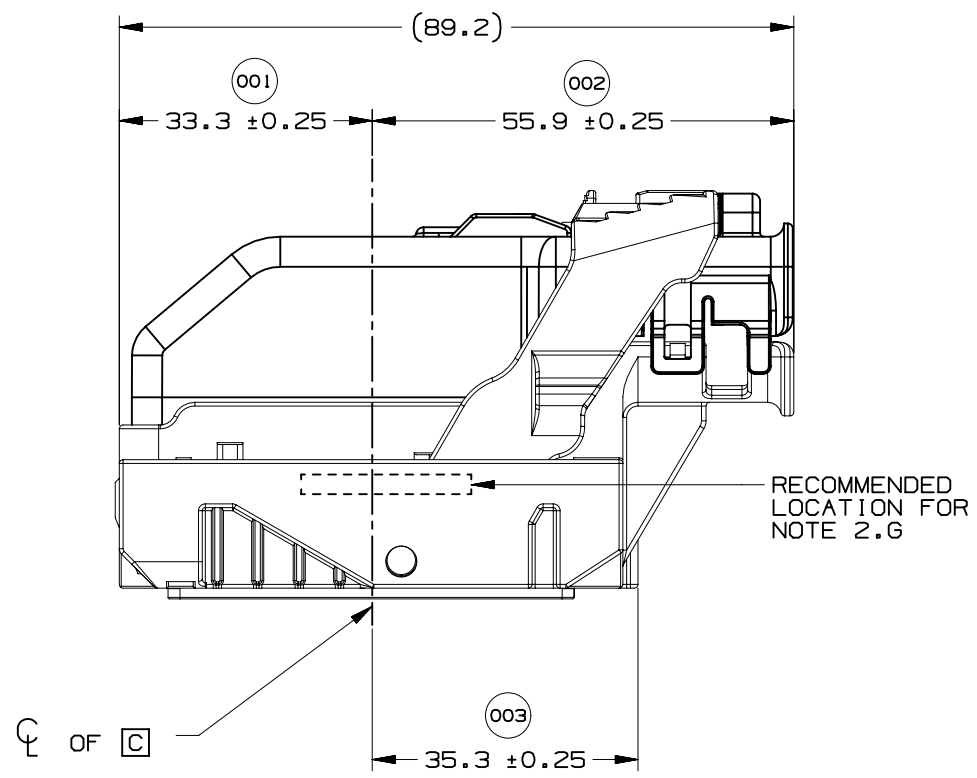
DWG STATUS

ST	REV	PDI
R	001	

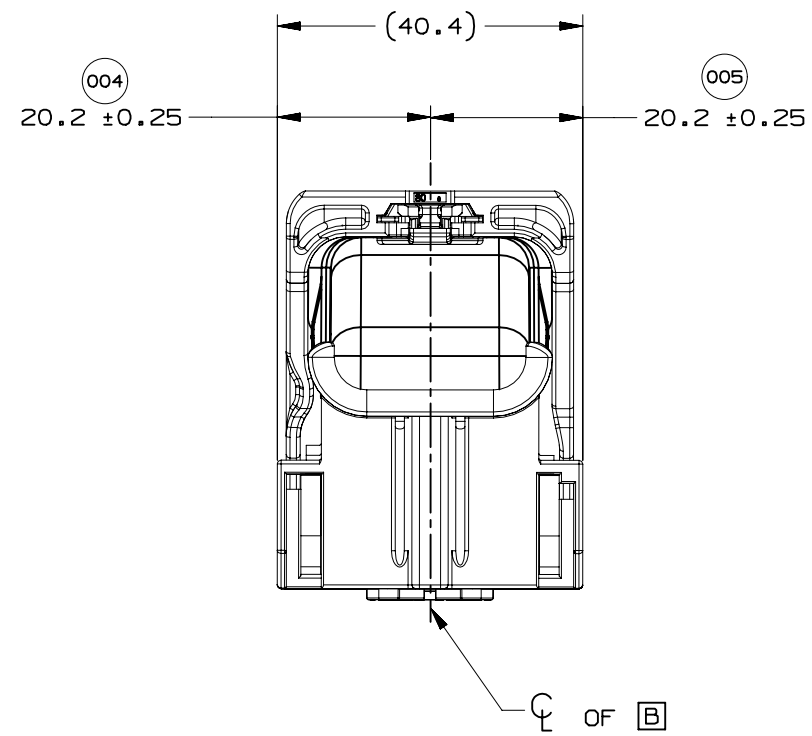
PAGE NUMBER

7 OF 22

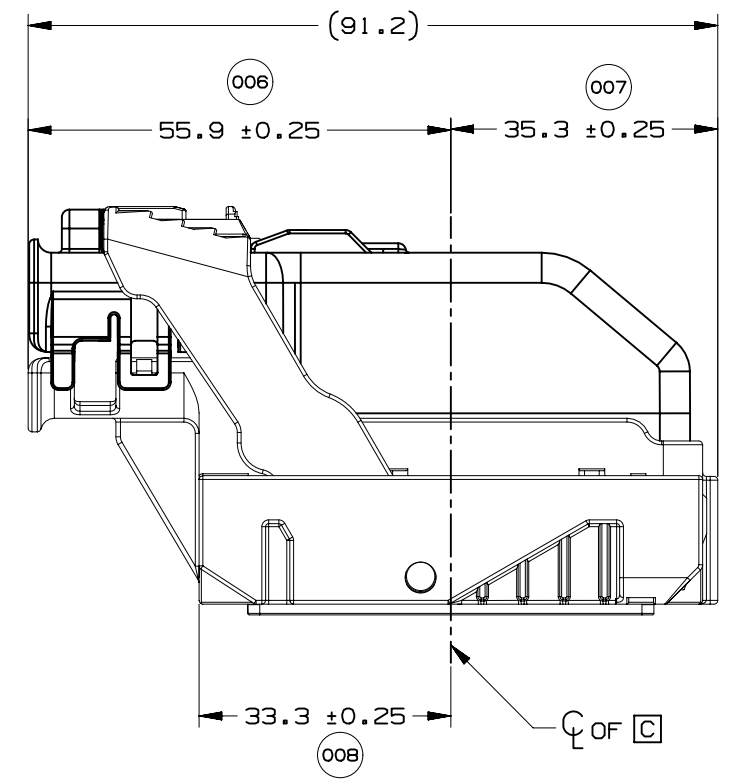




WIRE DRESS OPTION 0 SHOWN

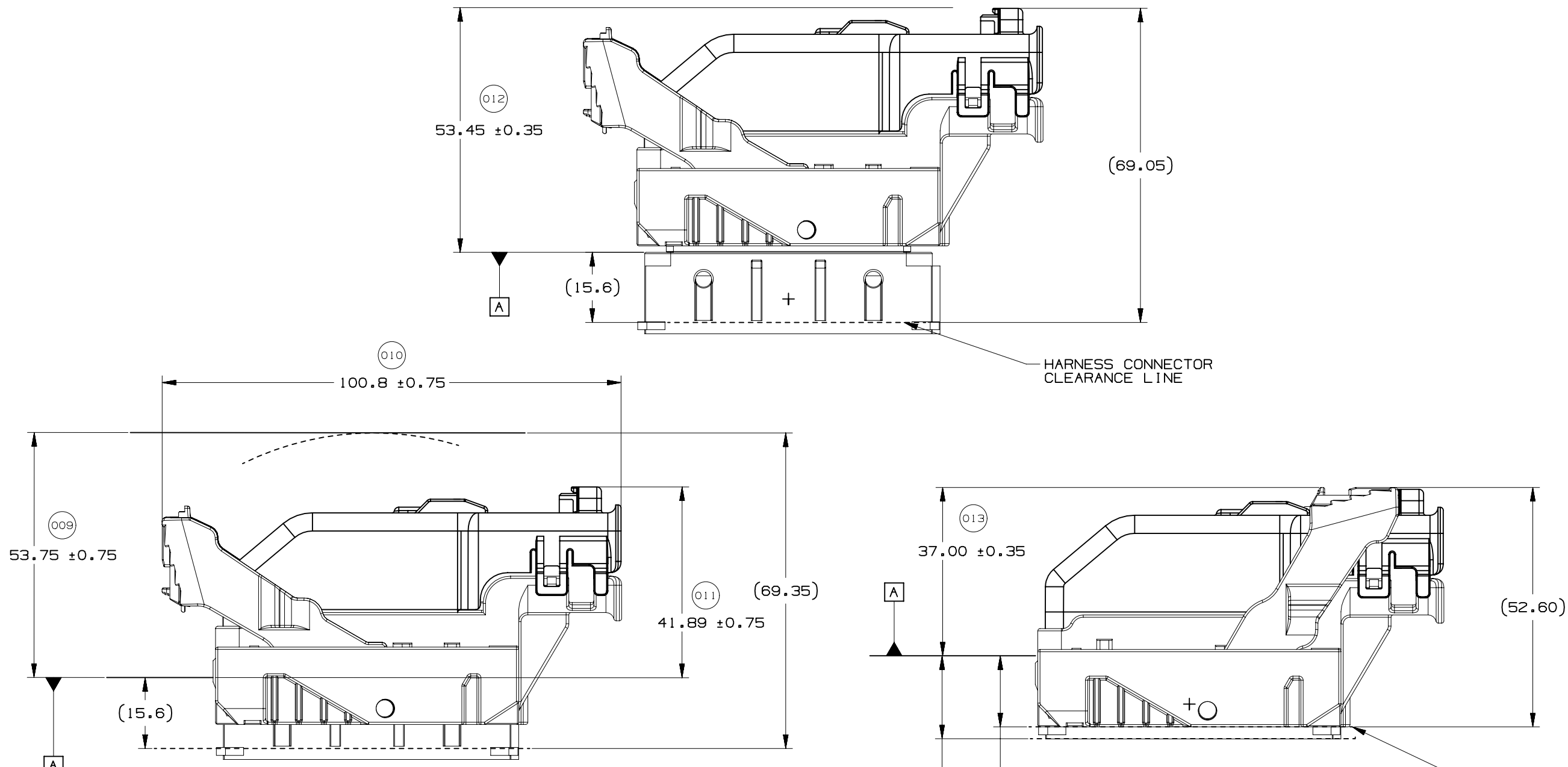


WIRE DRESS OPTION 0 SHOWN



WIRE DRESS OPTION 9 SHOWN





HARNESS CONNECTOR CLEARANCE LINE

HARNESS CONNECTOR ASSEMBLY IN FULLY-MATED POSITION

HARNESS CONNECTOR CLEARANCE LINE

15.6 MIN. ALL AROUND CLEARANCE REQUIRED FOR HARNESS CONNECTOR (014)

17.9 MIN. AT PAD LOCATION CLEARANCE REQUIRED FOR HARNESS CONNECTOR CONSTRUCTION BELOW THIS PLANE IS NOT CONTROLLED (015)

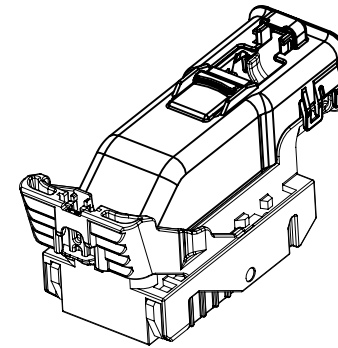
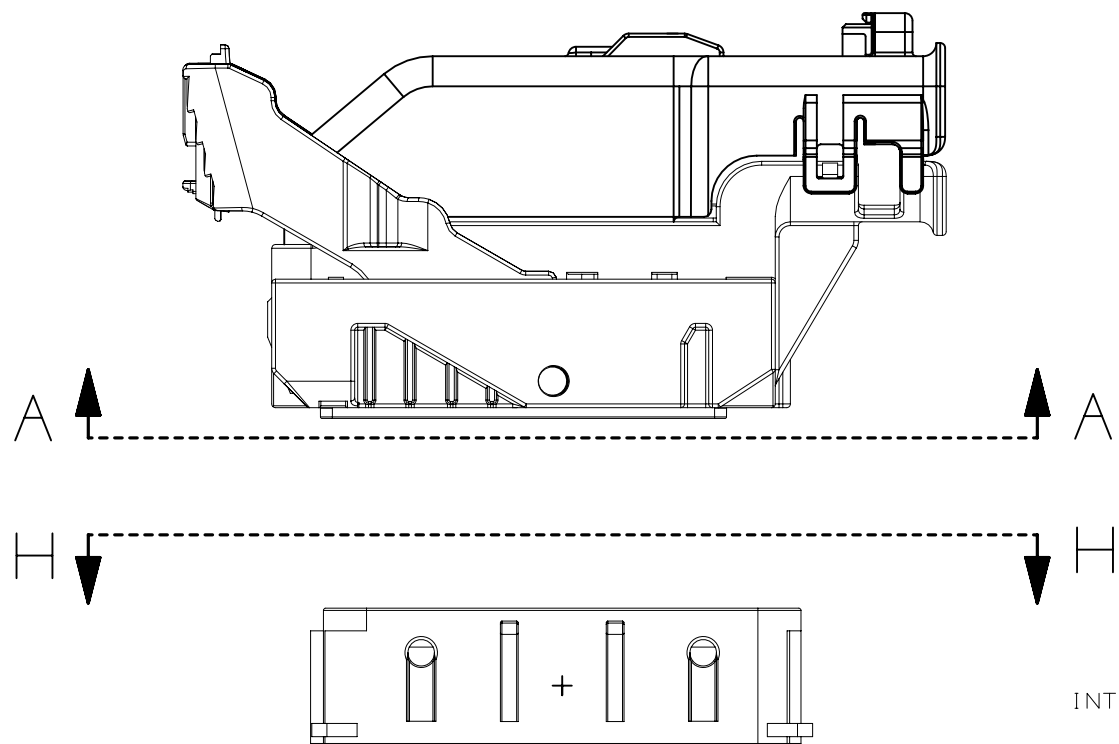


PAGE TITLE  
 LOCATION AND PACKAGING DIMENSIONS  
 REFERENCING INTERFACE DATUM A

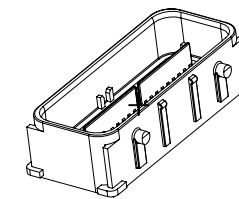
DRAWING NUMBER  
 12672833

DWG STATUS		
ST	REV	PD1
R	001	

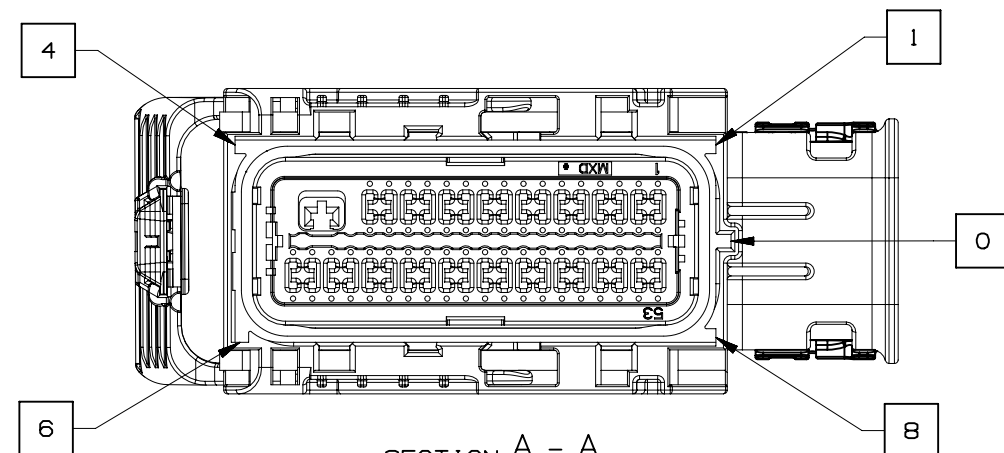
PAGE NUMBER  
 10 OF 22



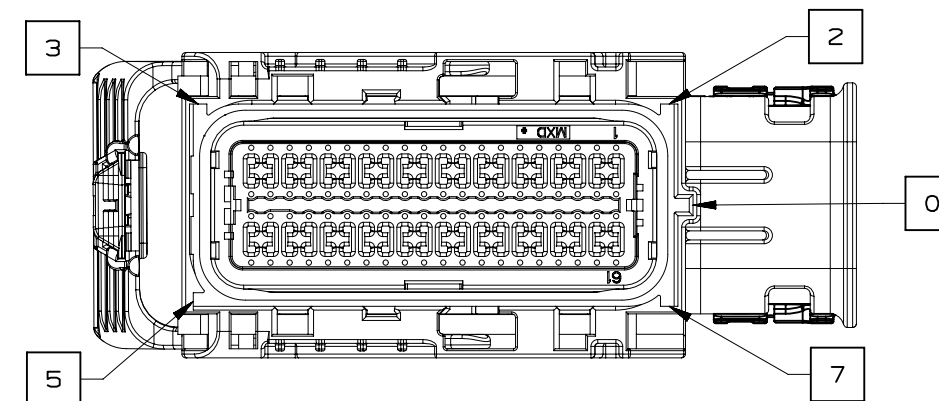
NOTE: REFERENCE THE COMPONENT TABLE FOR KEY OPTIONS AND CONFIGURATIONS



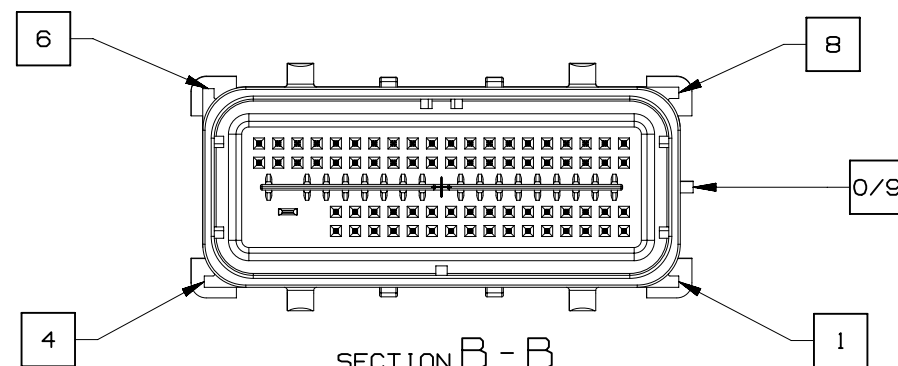
INTERFACE SIDE SHOWN ON ALL SECTION VIEWS



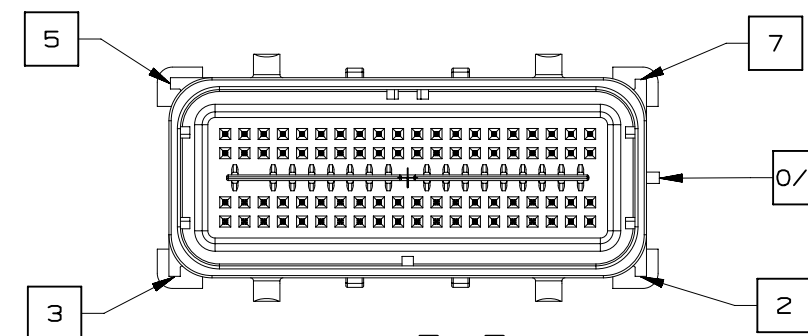
SECTION A - A  
73 CKT HARNESS CONNECTOR ASSEMBLY  
KEY OPTION B SHOWN



SECTION A - A  
80 CKT HARNESS CONNECTOR ASSEMBLY  
KEY OPTION K SHOWN



SECTION B - B  
73 CKT HARNESS CONNECTOR ASSEMBLY  
KEY OPTION B SHOWN



SECTION B - B  
80 CKT HARNESS CONNECTOR ASSEMBLY  
KEY OPTION K SHOWN



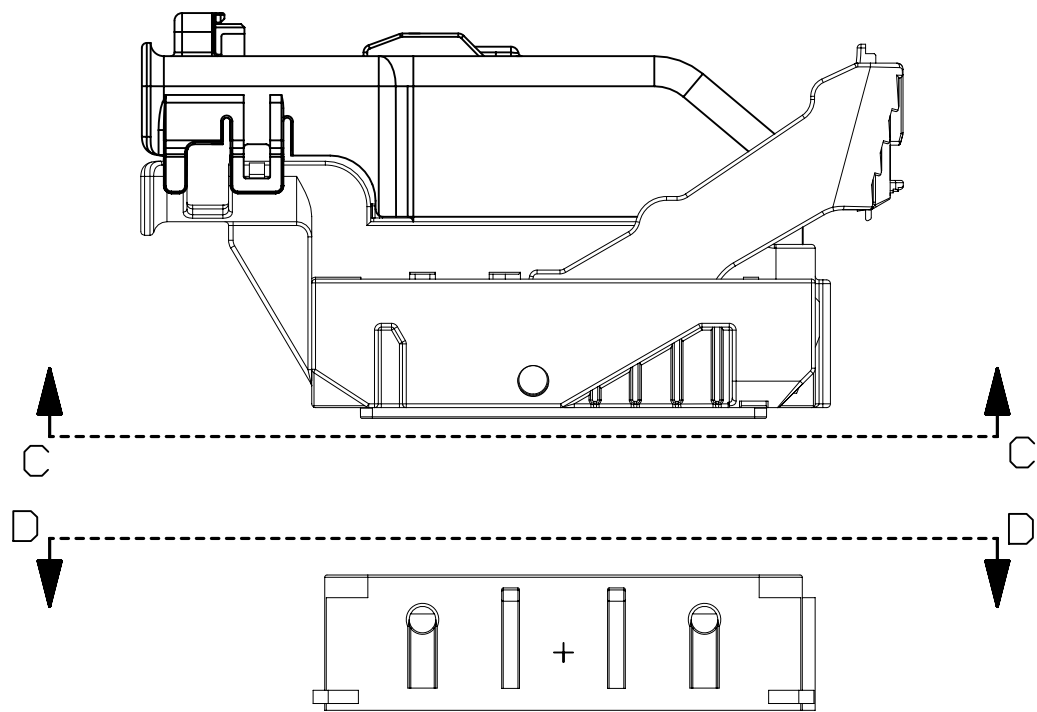
PAGE TITLE  
KEY ID REF - WIRE DRESS OPTION 0

DRAWING NUMBER  
12672833

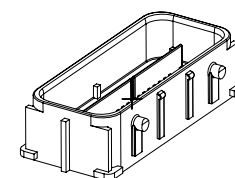
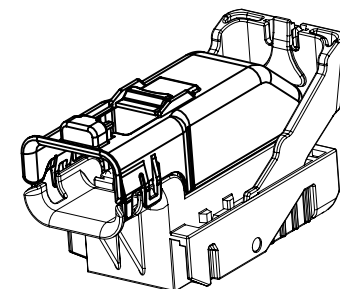
DWG STATUS		
ST	REV	PD1
R	001	

PAGE NUMBER  
11 OF 22

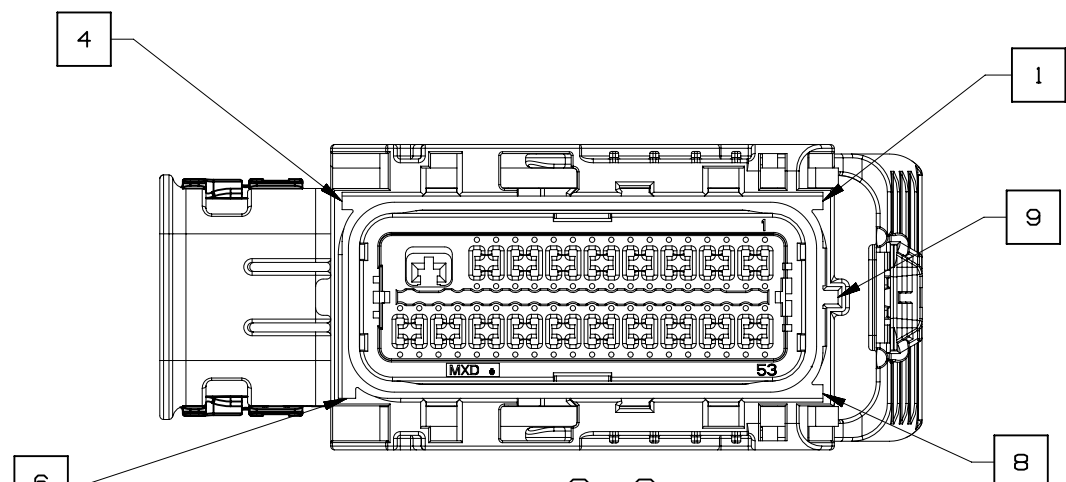




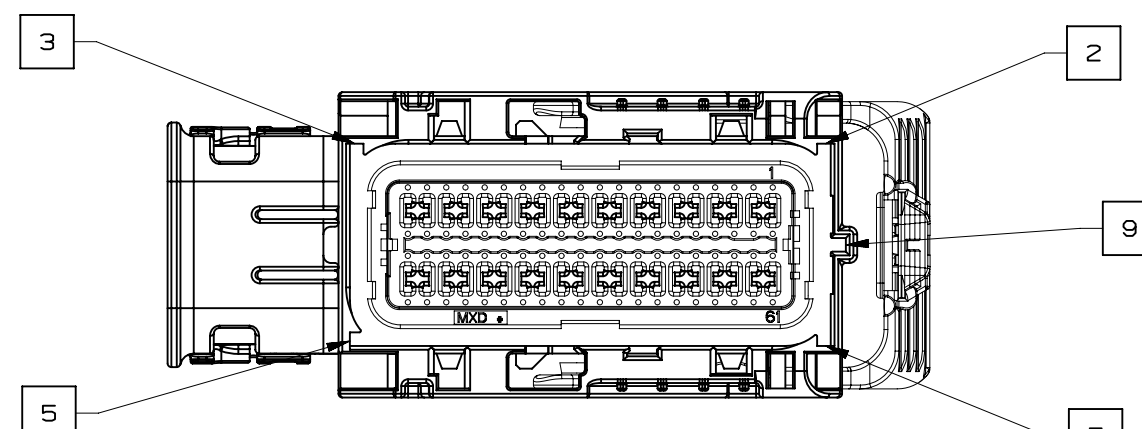
INTERFACE SIDE SHOWN ON ALL SECTION VIEWS



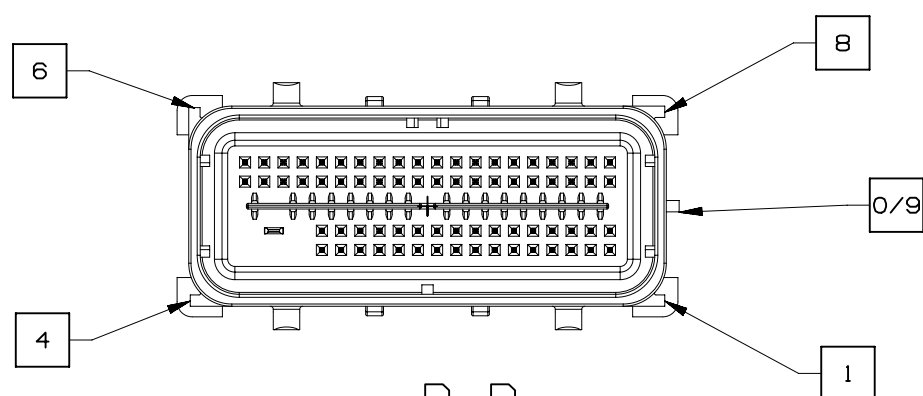
NOTE: REFERENCE THE COMPONENT TABLE FOR KEY OPTIONS AND CONFIGURATIONS



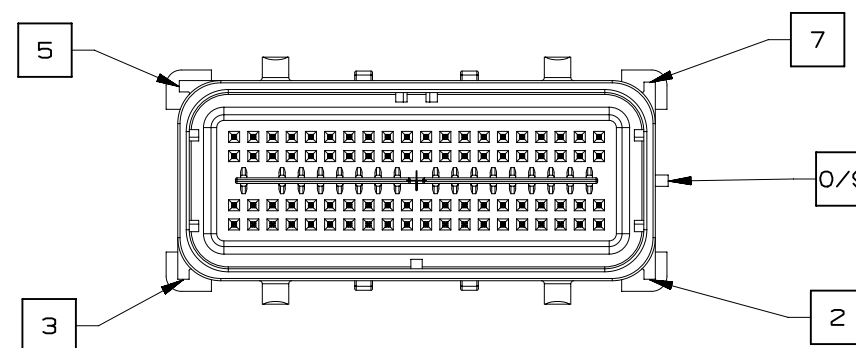
SECTION C - C  
73 CKT HARNESS CONNECTOR ASSEMBLY  
KEY OPTION B SHOWN



SECTION C - C  
80 CKT HARNESS CONNECTOR ASSEMBLY  
KEY OPTION K SHOWN



SECTION D - D  
73 CKT HARNESS CONNECTOR ASSEMBLY  
KEY OPTION B SHOWN



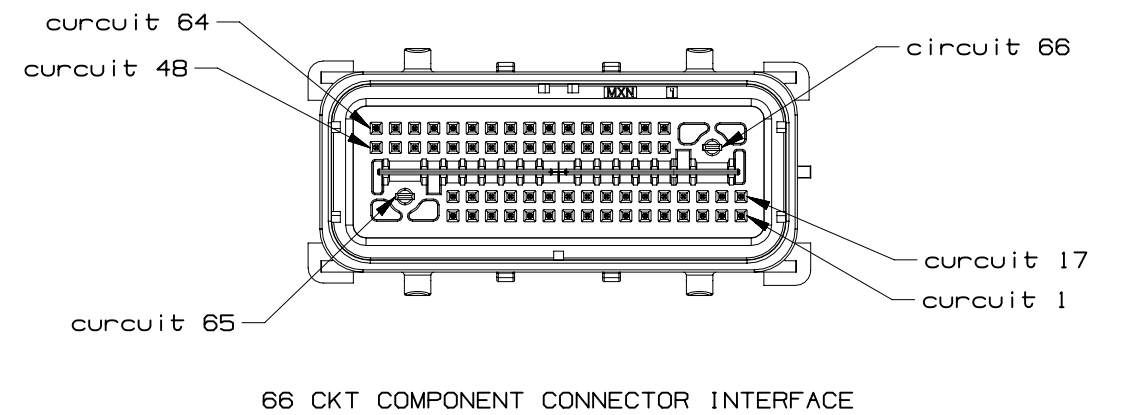
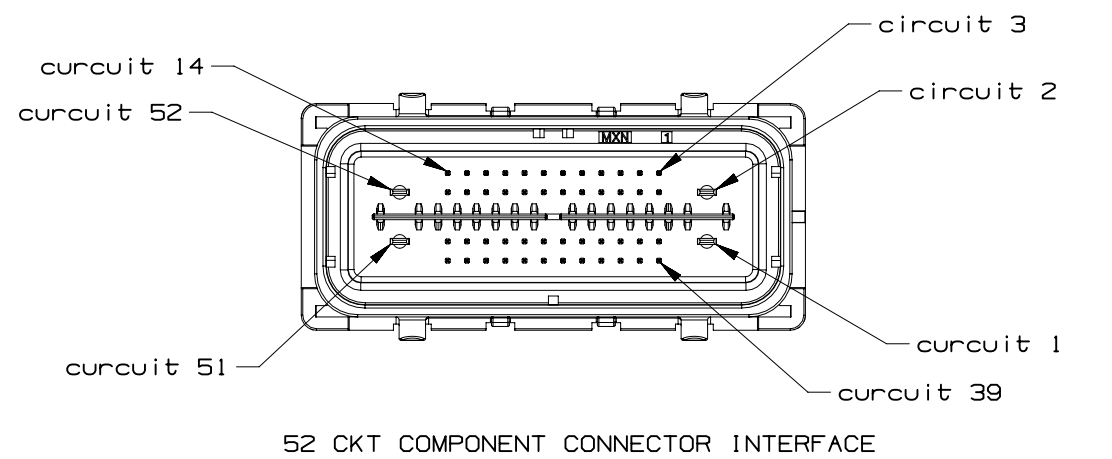
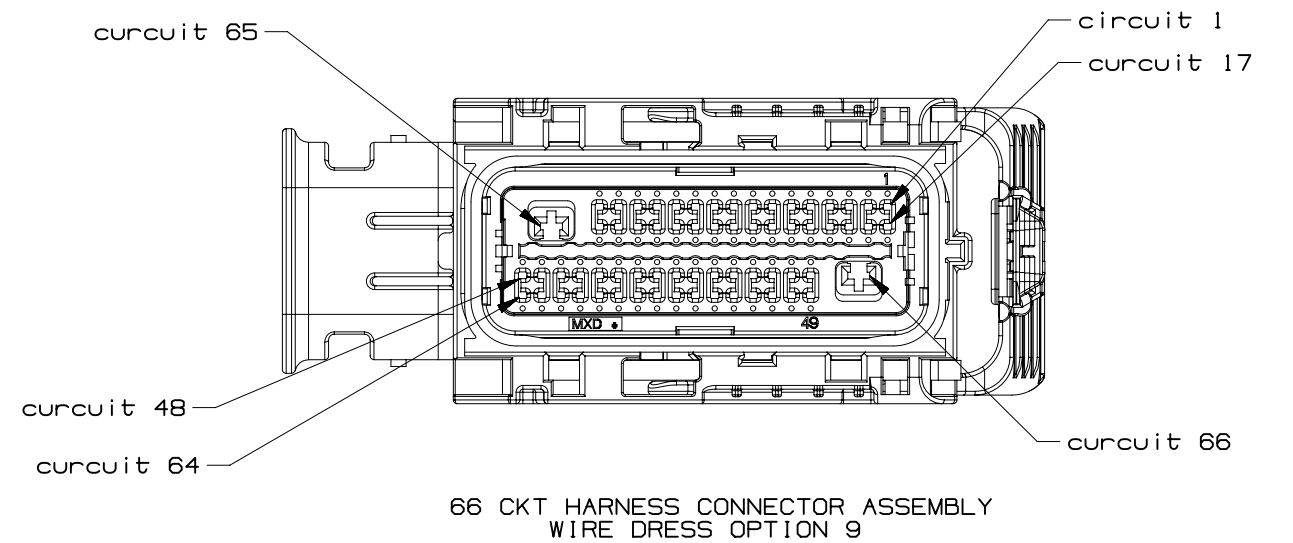
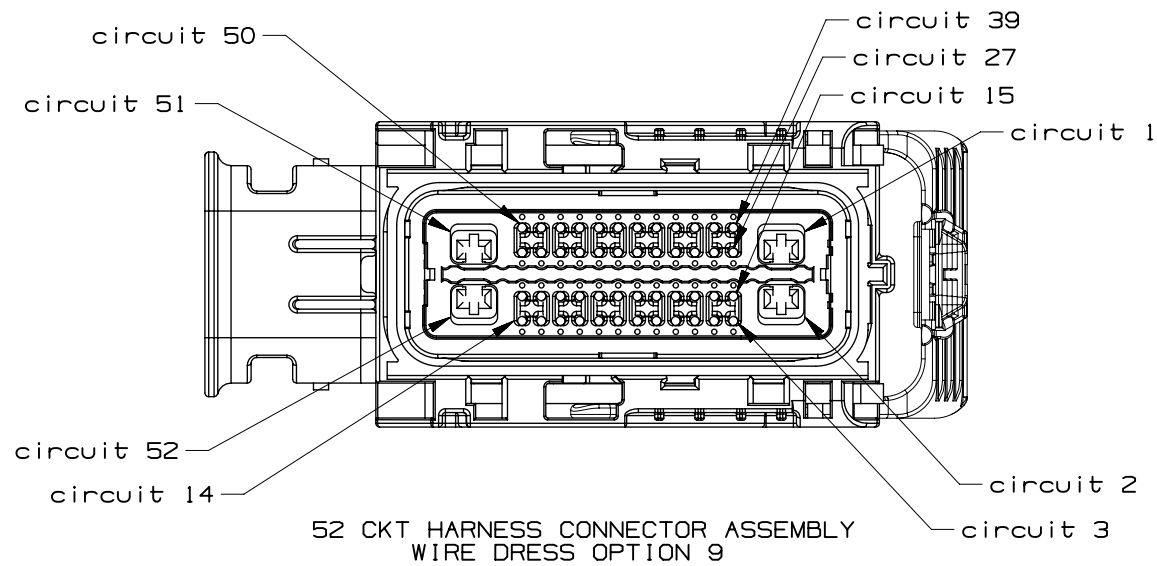
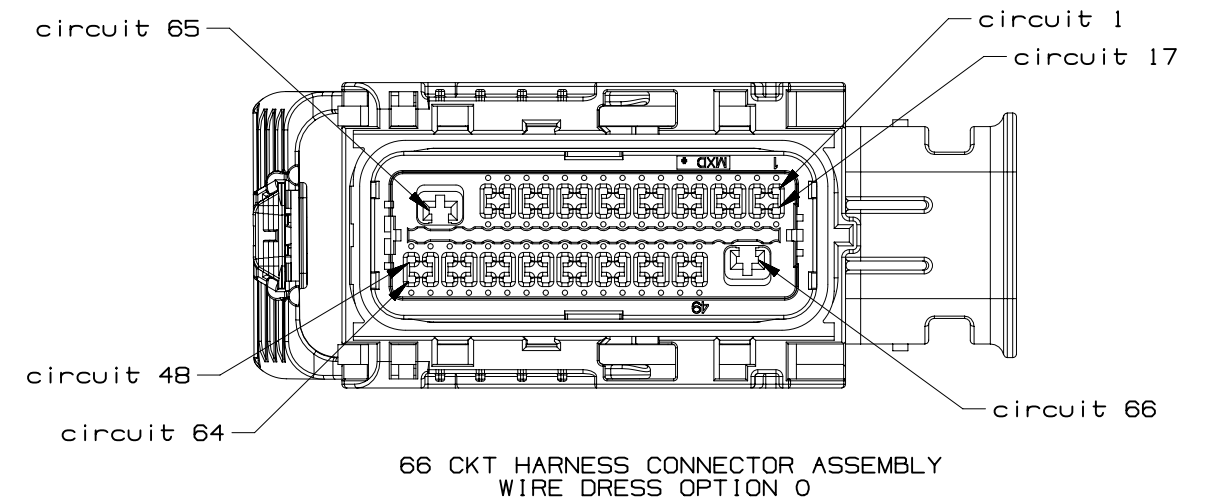
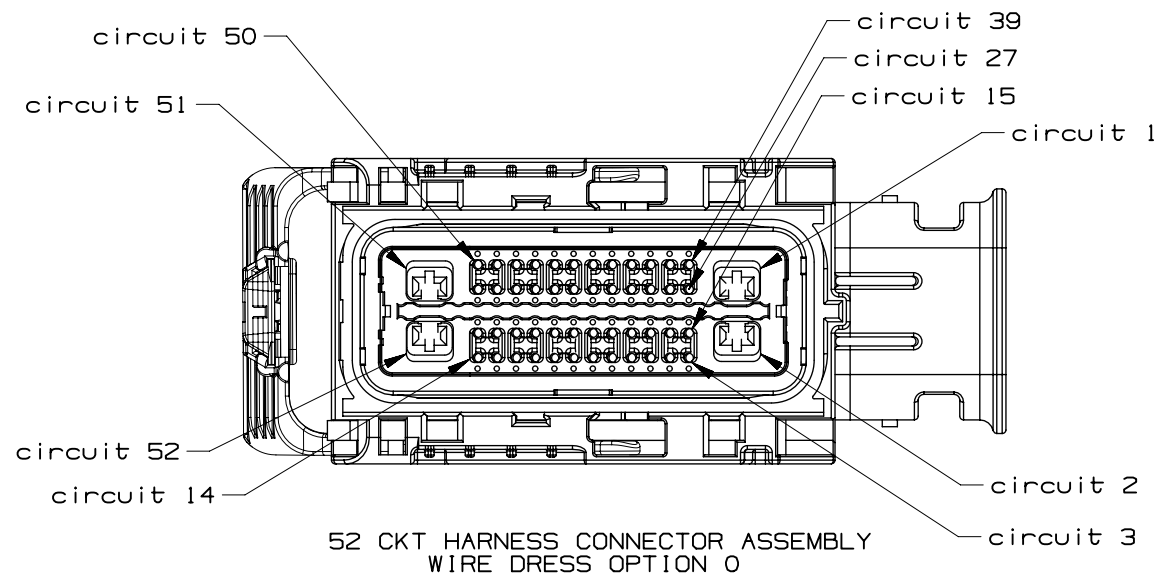
SECTION D - D  
80 CKT HARNESS CONNECTOR ASSEMBLY  
KEY OPTION K SHOWN

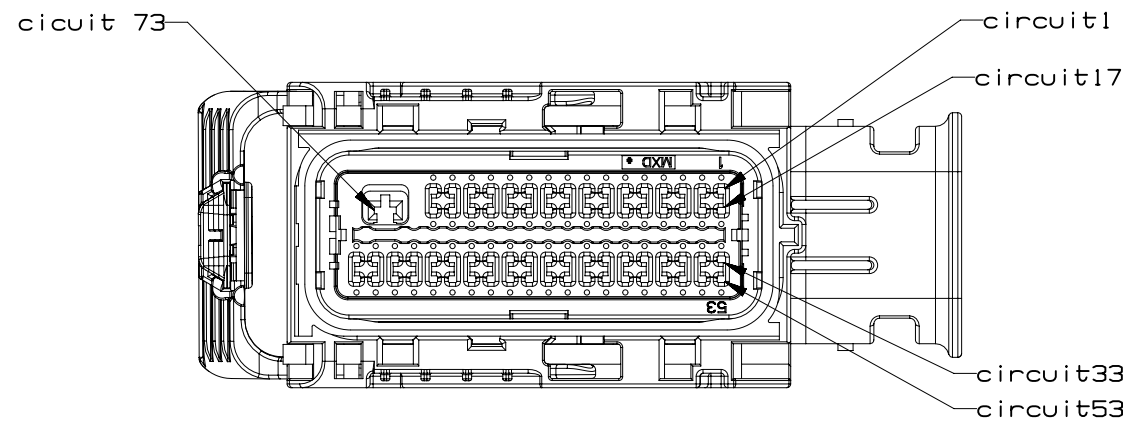


PAGE TITLE  
KEY ID REF - WIRE DRESS OPTION 9

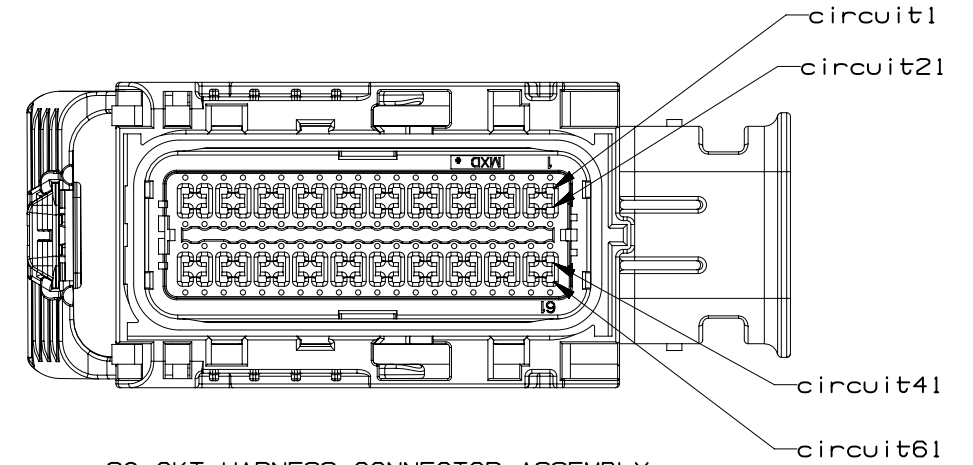
DRAWING NUMBER  
12672833

DWG STATUS			PAGE NUMBER
ST	REV	PD1	
R	001		12 OF 22



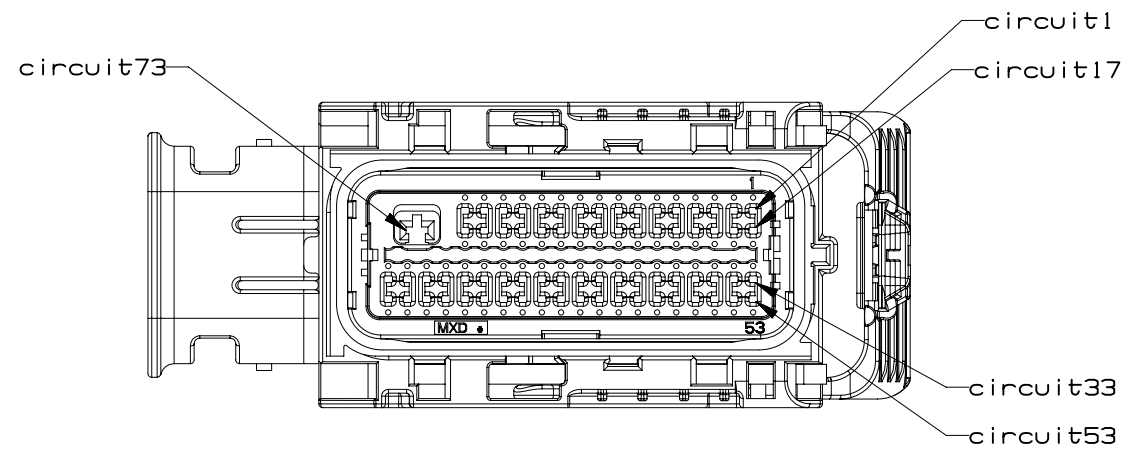


73 CKT HARNESS CONNECTOR ASSEMBLY  
WIRE DRESS OPTION 0

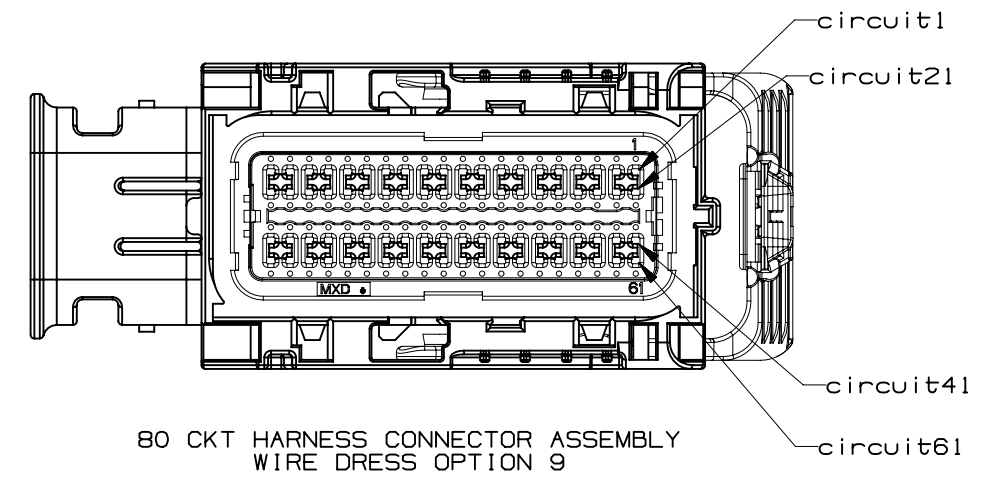


80 CKT HARNESS CONNECTOR ASSEMBLY  
WIRE DRESS OPTION 0

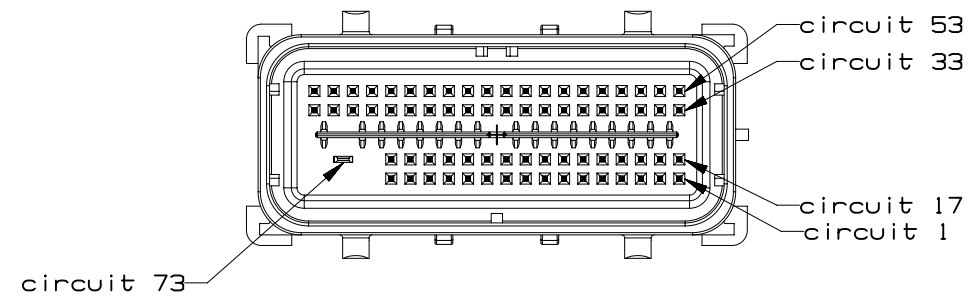
INTERFACE SIDE SHOWN ON ALL VIEWS



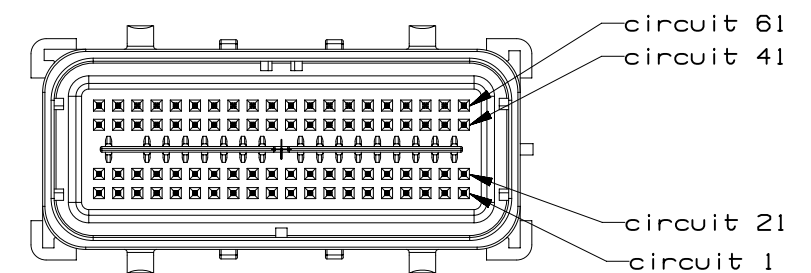
73 CKT HARNESS CONNECTOR ASSEMBLY  
WIRE DRESS OPTION 9



80 CKT HARNESS CONNECTOR ASSEMBLY  
WIRE DRESS OPTION 9

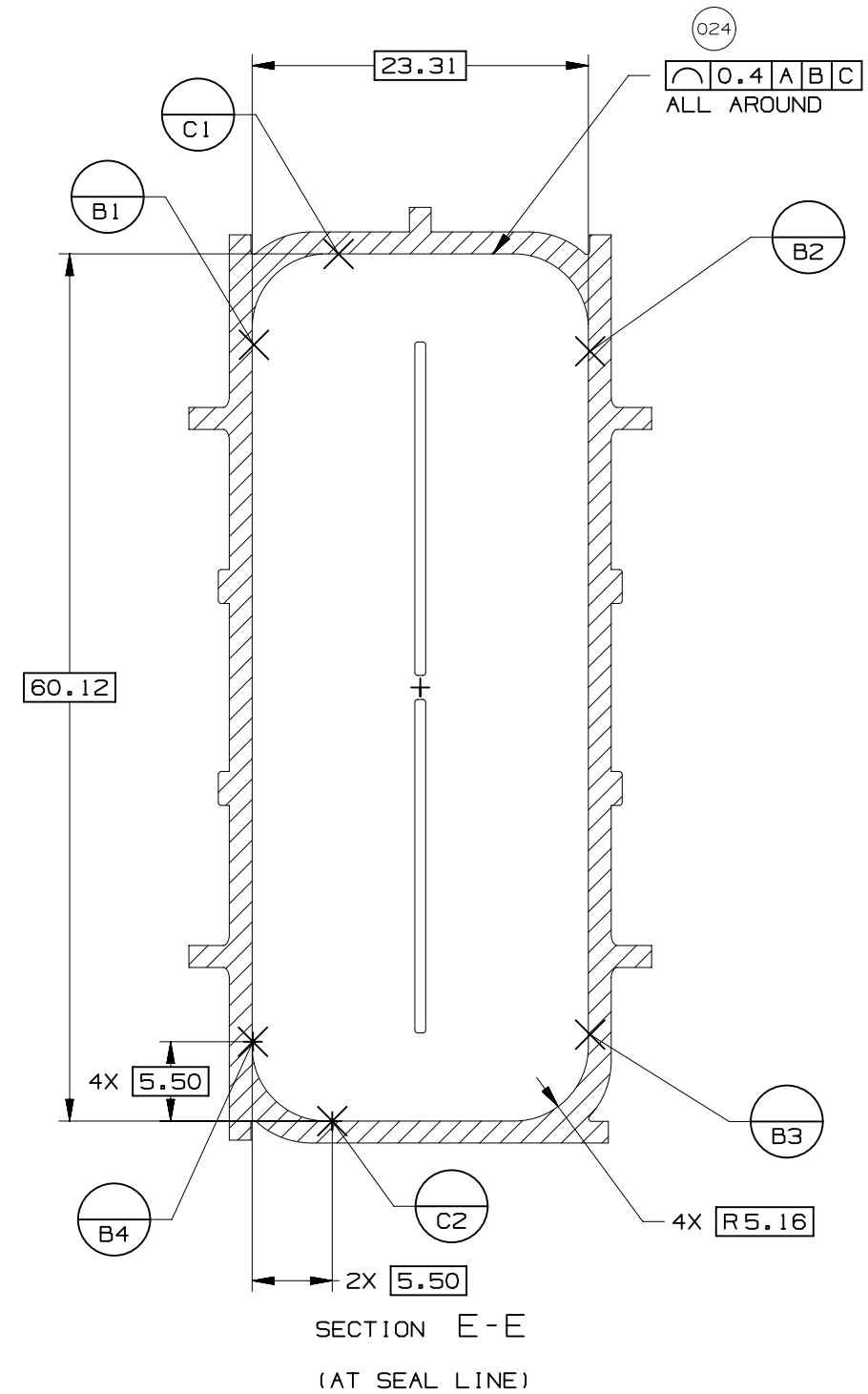
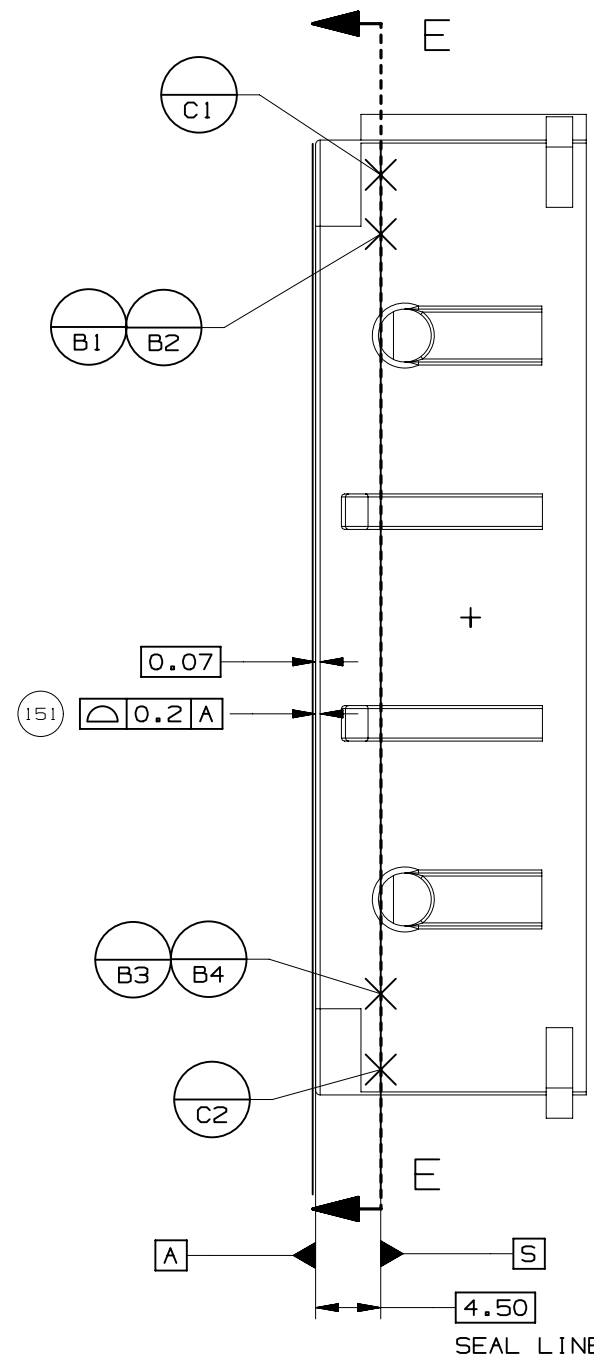
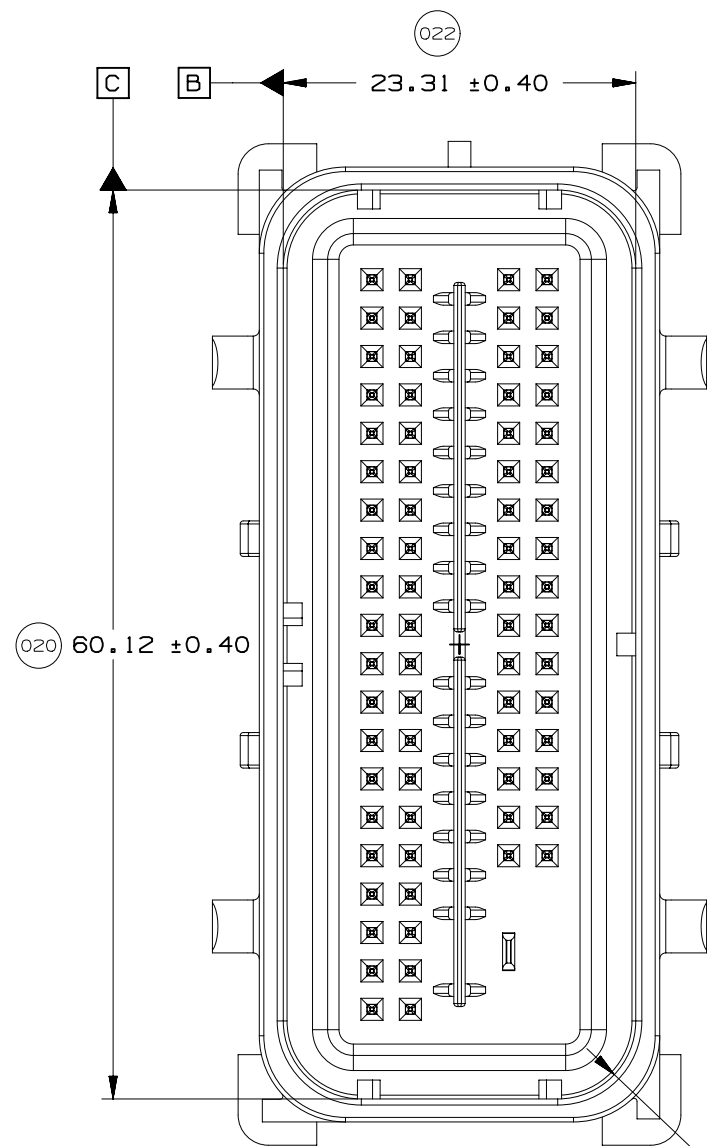
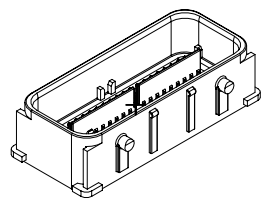


73 CKT COMPONENT CONNECTOR INTERFACE



80 CKT COMPONENT CONNECTOR INTERFACE





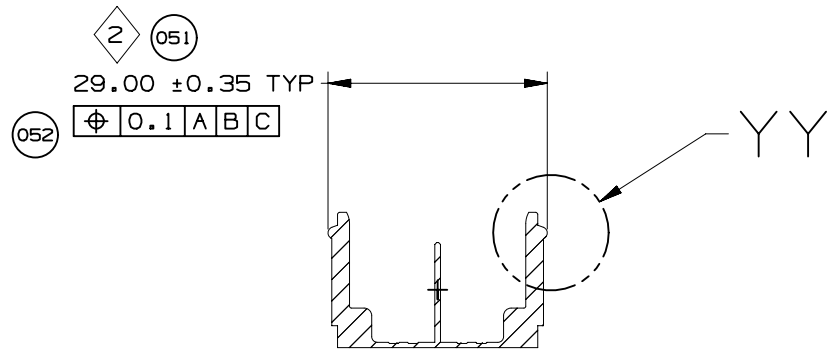
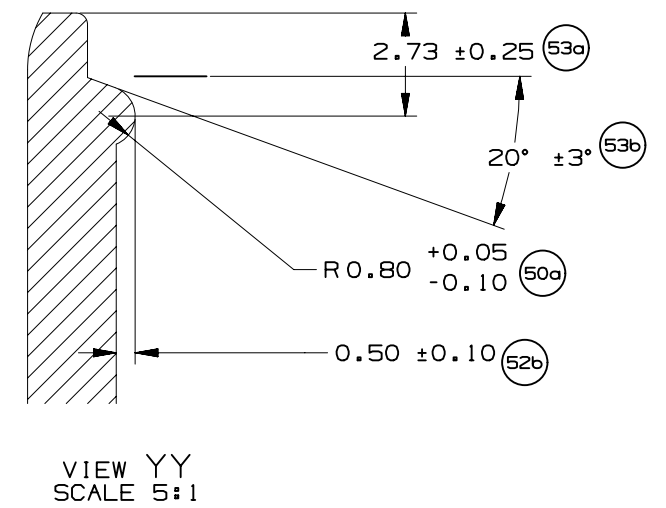
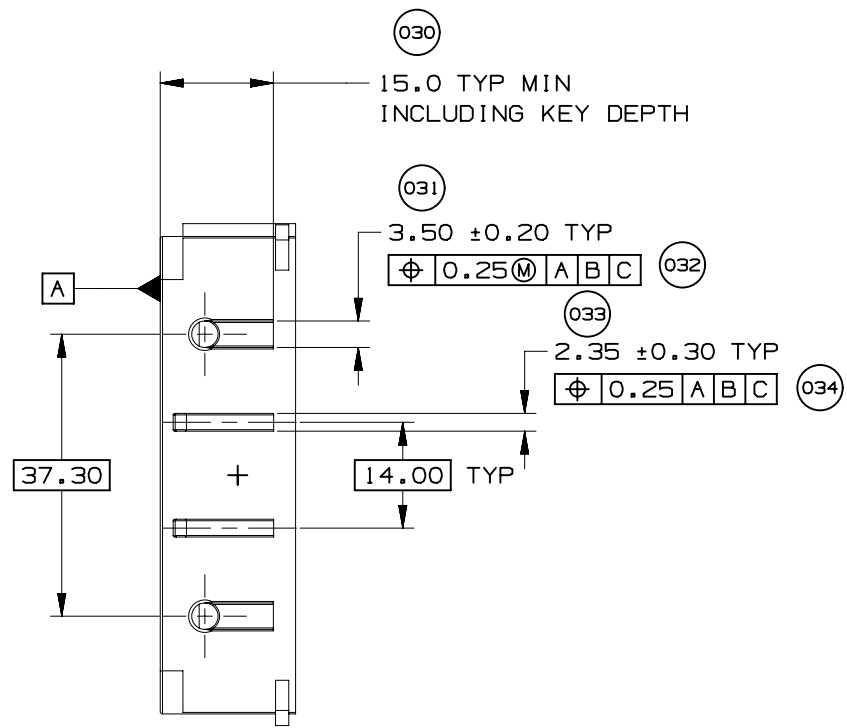
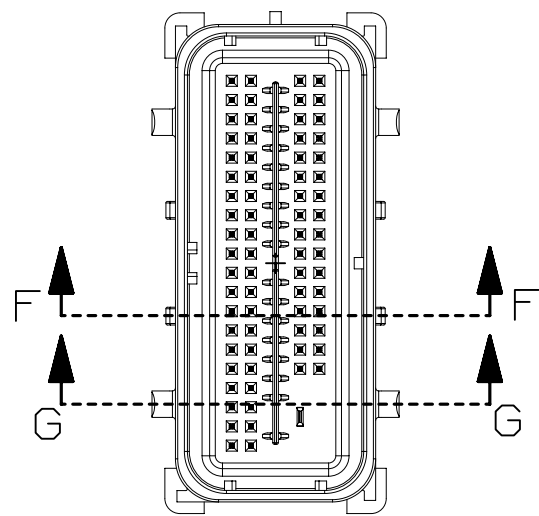
UNLESS SPECIFIED, TOLERANCE OF THE COMPONENT CONNECTOR INTERFACE TO BE 0.13 A B C



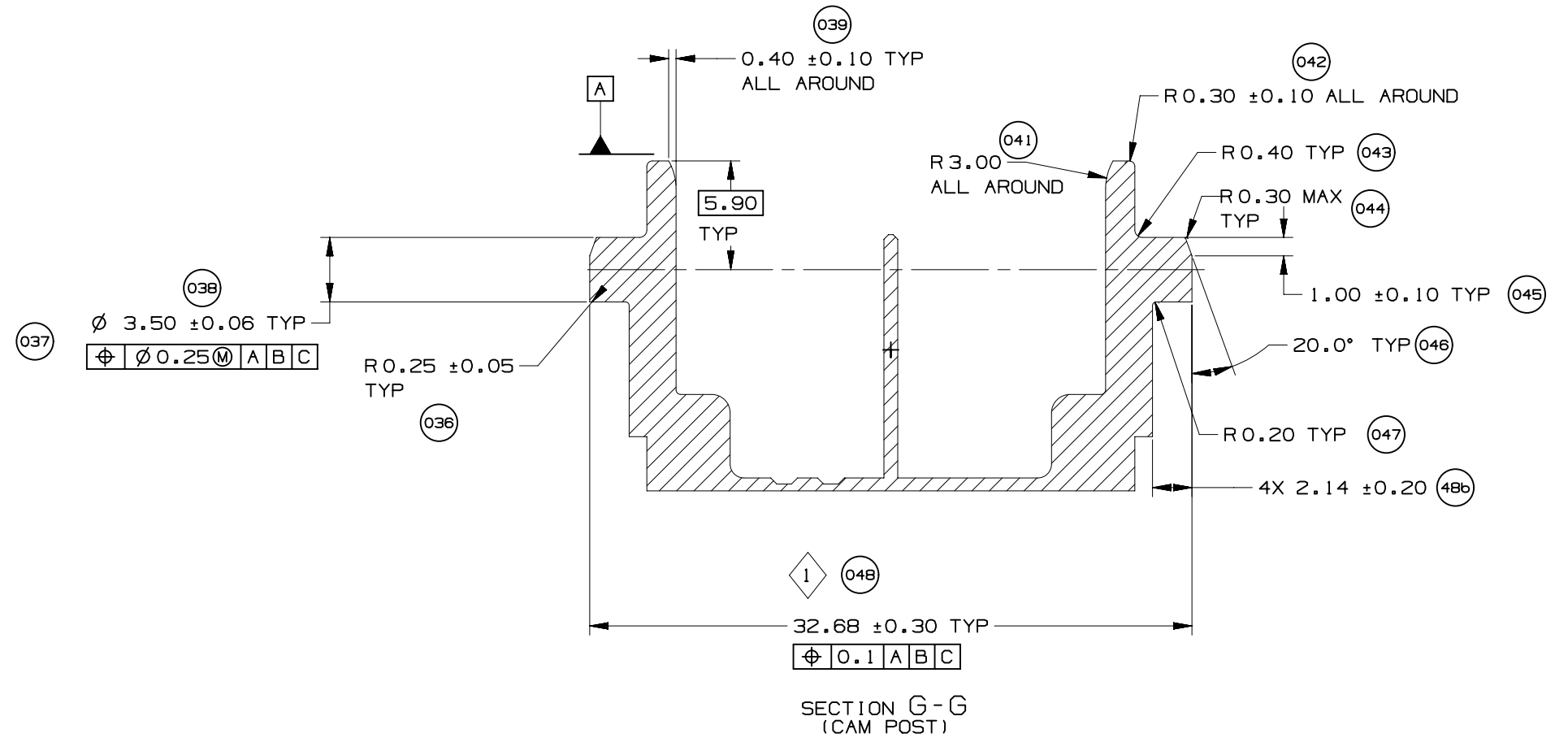
PAGE TITLE  
COMPONENT CONNECTOR INTERFACE

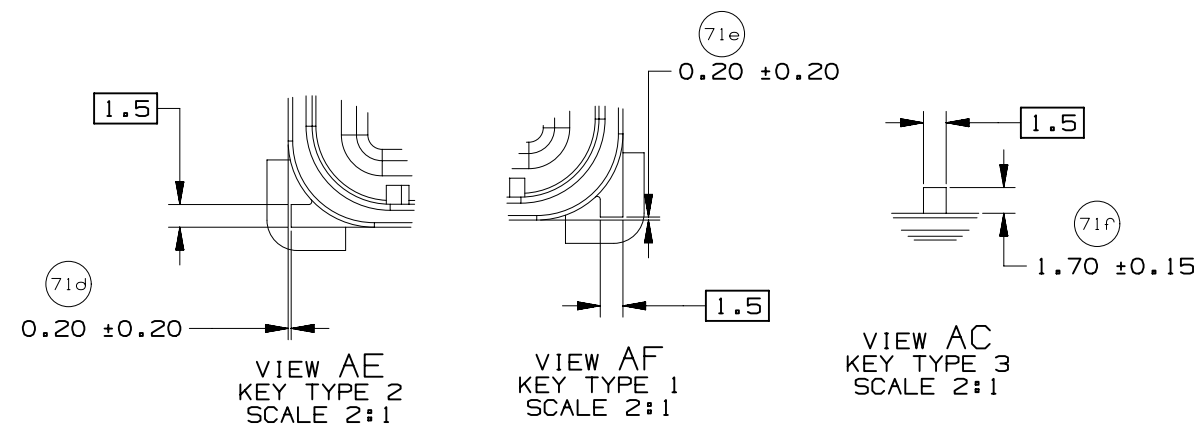
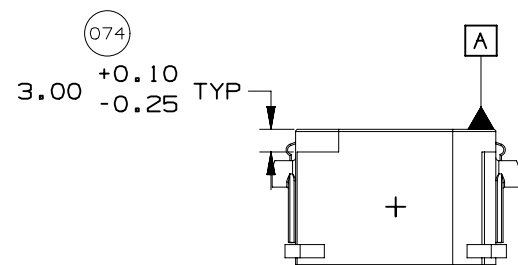
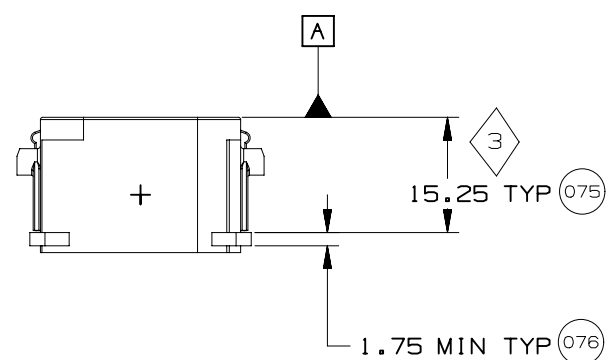
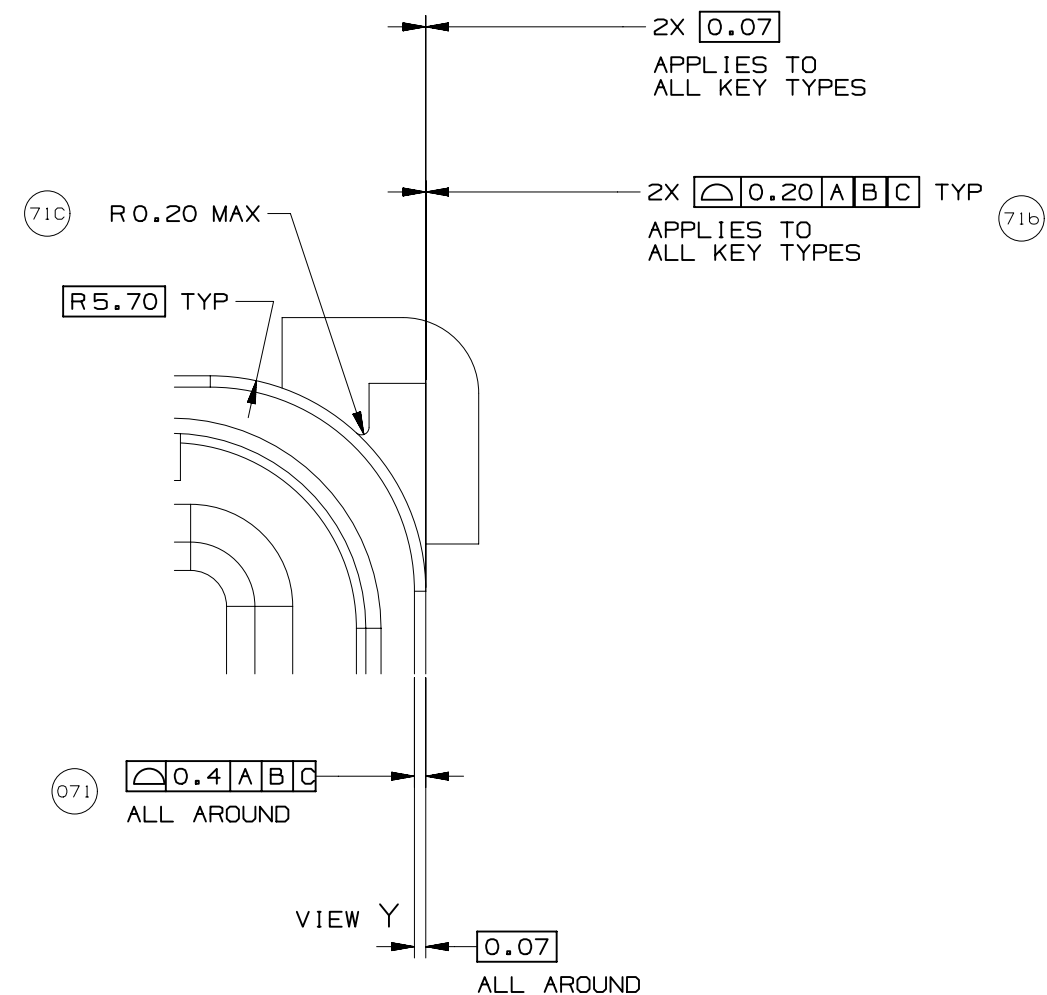
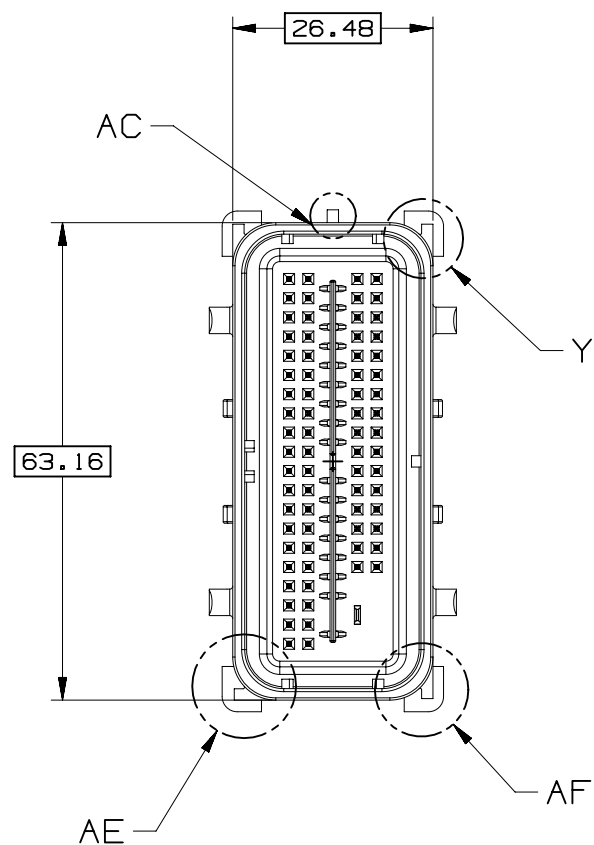
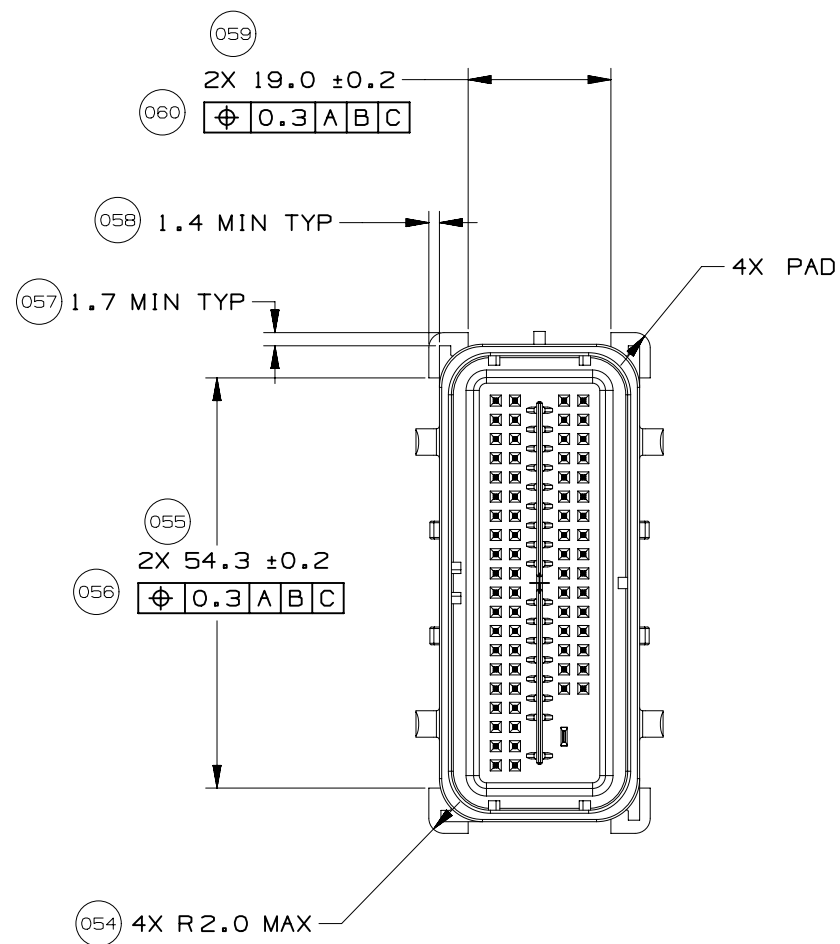
DRAWING NUMBER  
12672833

DWG STATUS			PAGE NUMBER
ST	REV	PD1	
R	001		15 OF 22



SECTION F-F  
(RELEASE FEATURE)

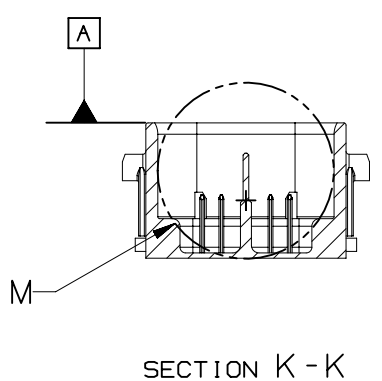
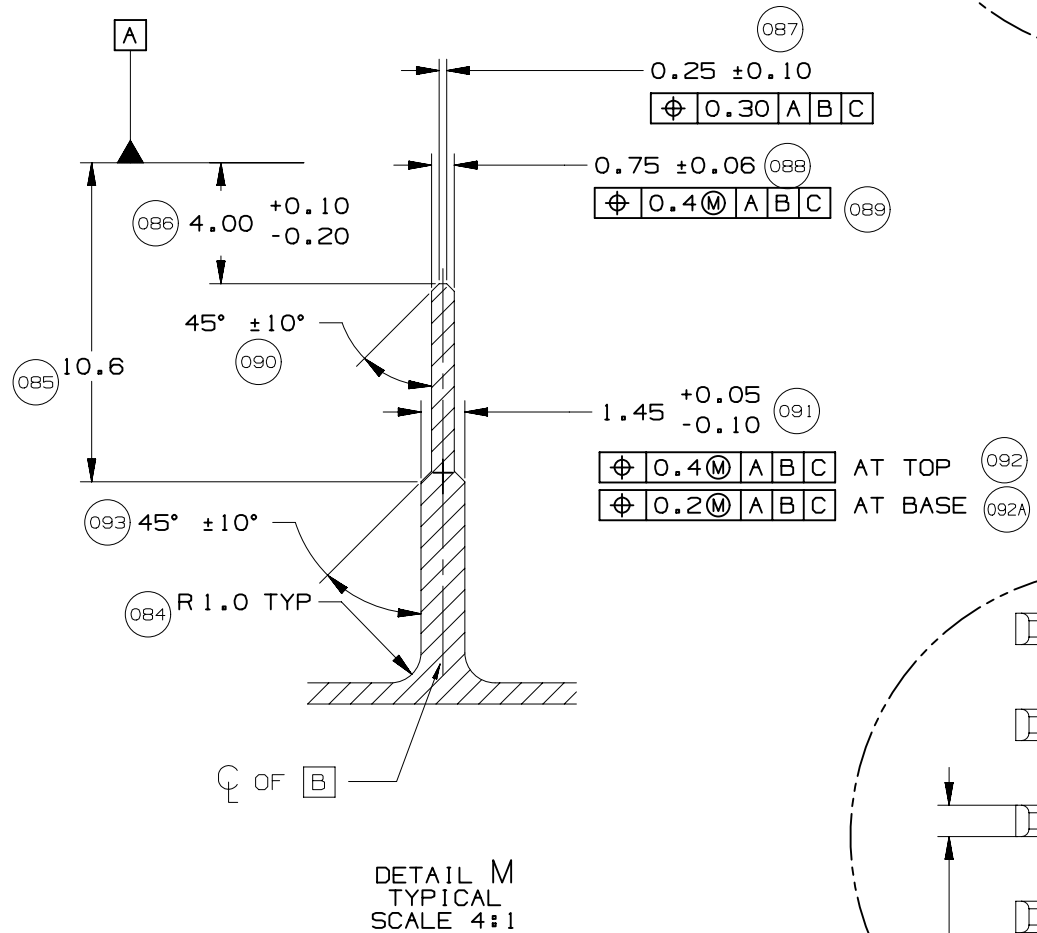
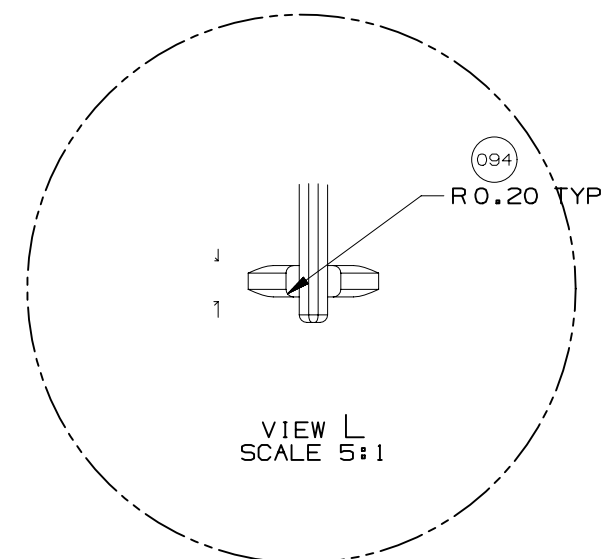
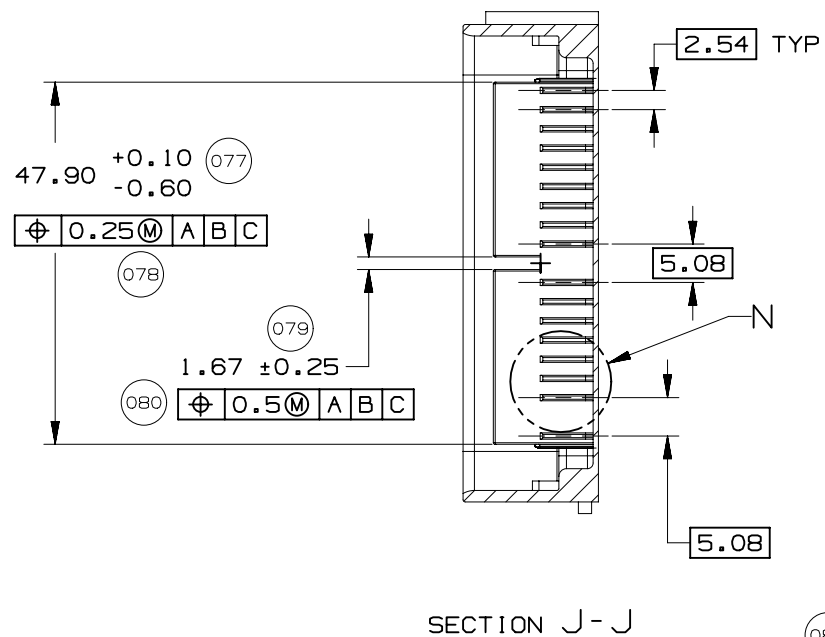
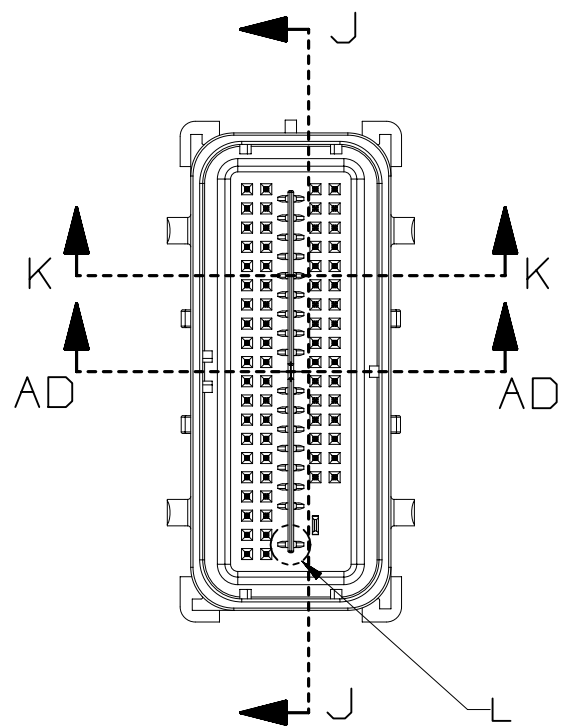




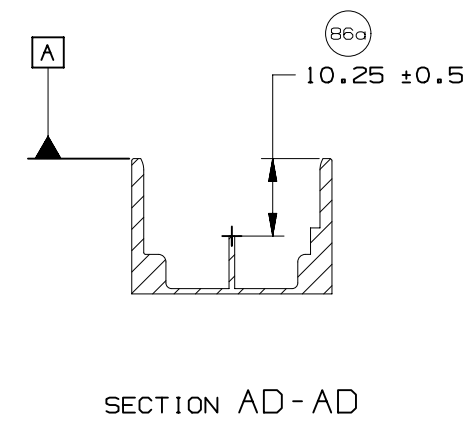
PAGE TITLE  
 COMPONENT CONNECTOR INTERFACE

DRAWING NUMBER  
 12672833

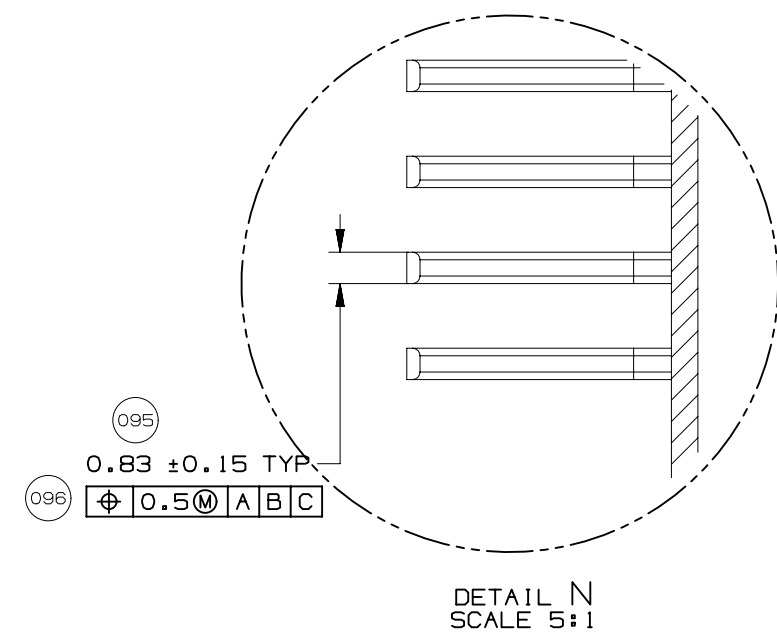
DWG STATUS			PAGE NUMBER	
ST	REV	PD1		
R	001		17	OF 22



SECTION K-K

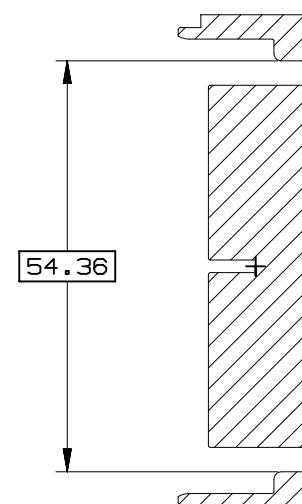
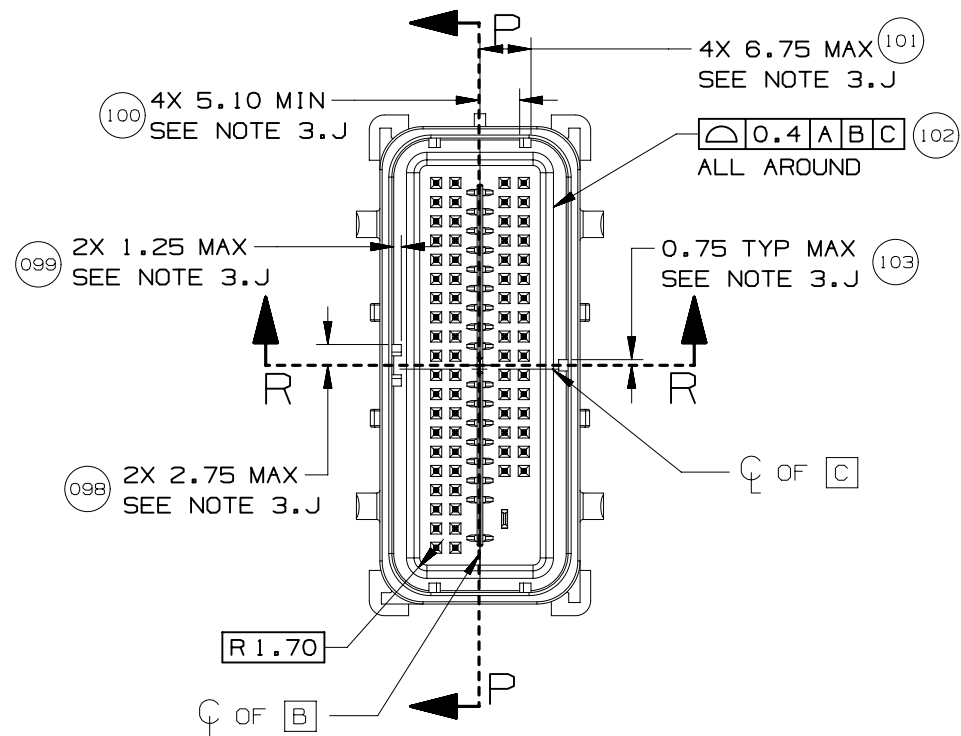


SECTION AD-AD

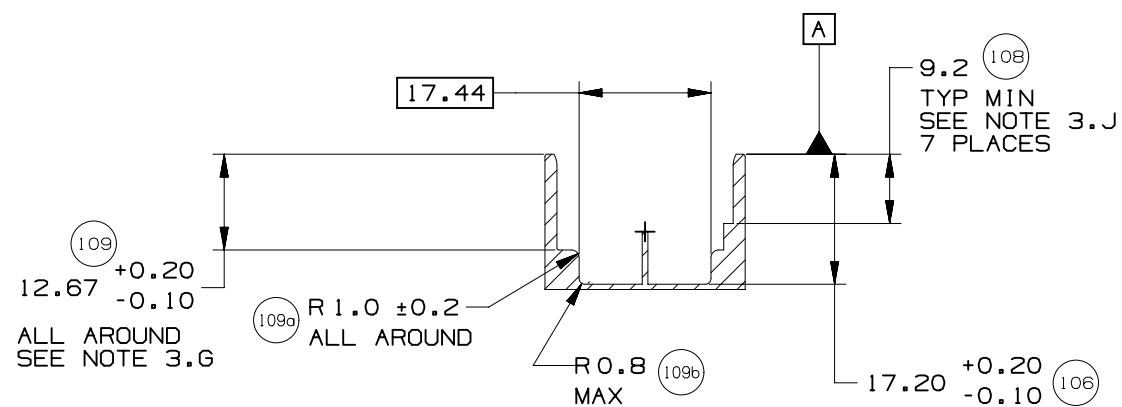


DETAIL N  
SCALE 5:1





SECTION P-P



SECTION R-R

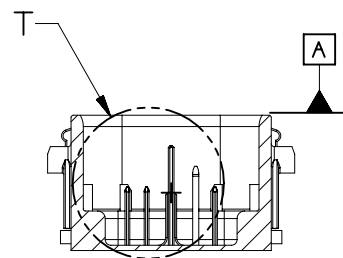
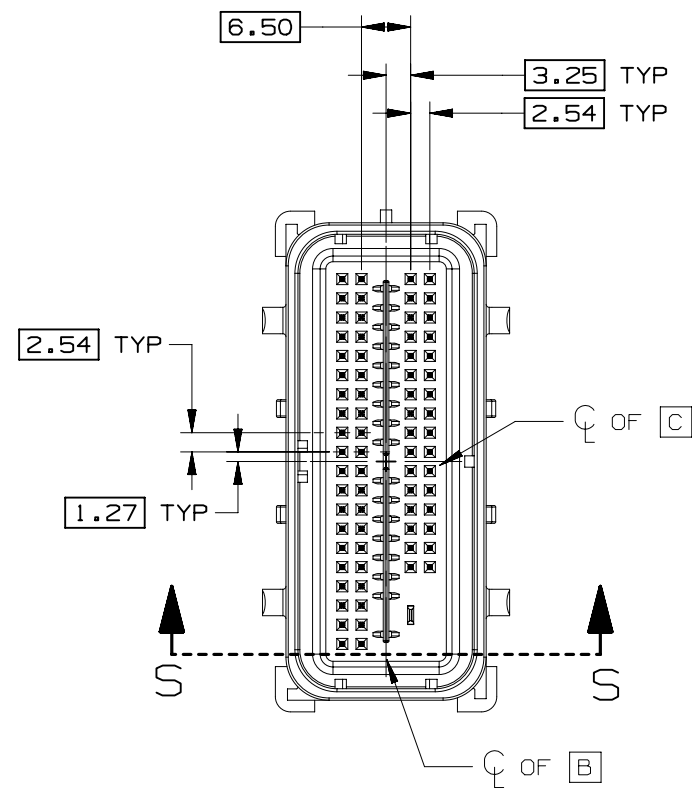


PAGE TITLE  
COMPONENT CONNECTOR INTERFACE

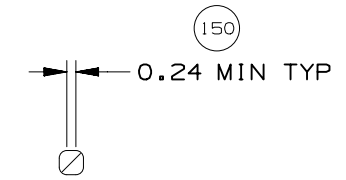
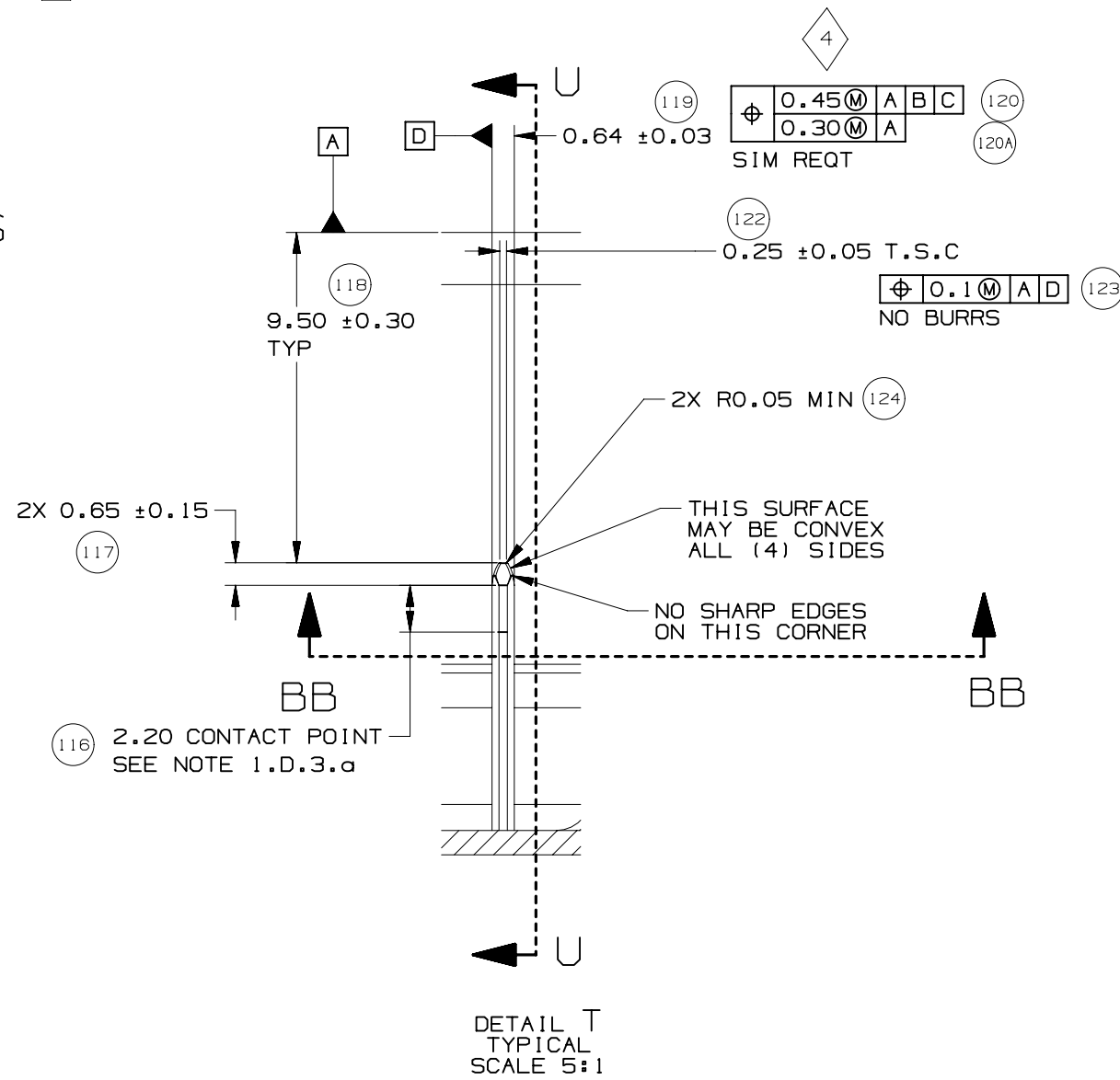
DRAWING NUMBER  
12672833

DWG STATUS			PAGE NUMBER	
ST	REV	PD1	19	OF 22
R	001			

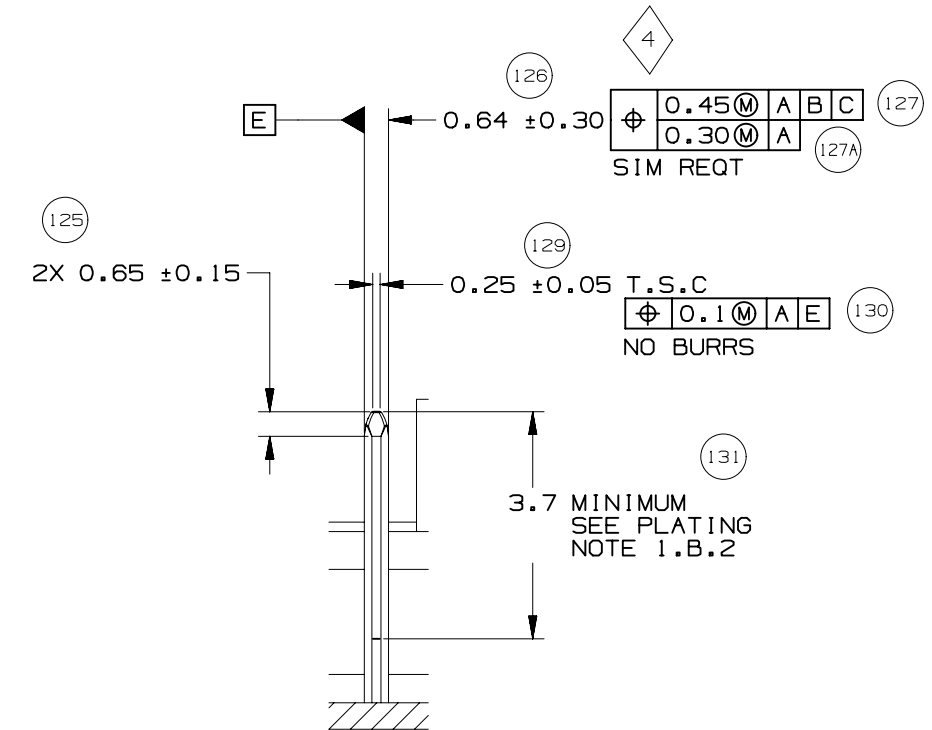




SECTION S-S

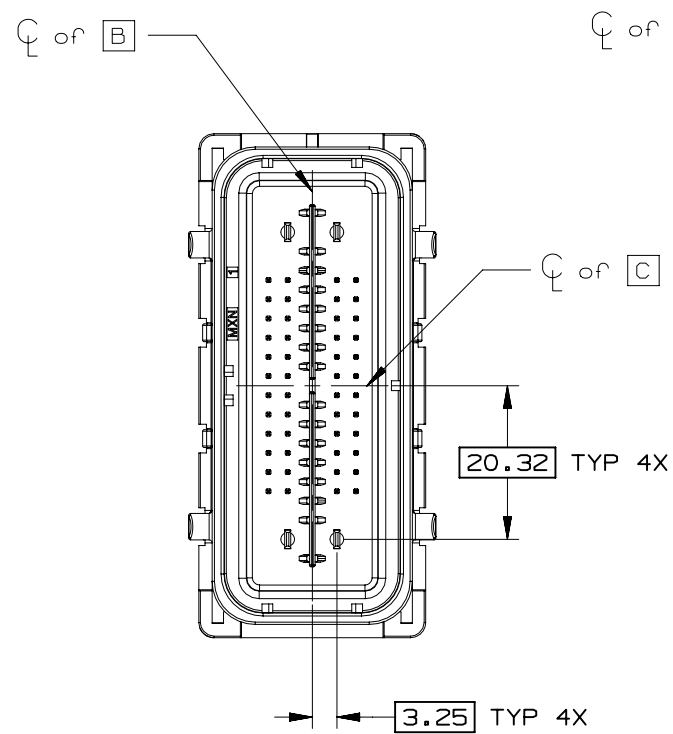


SECTION BB-BB

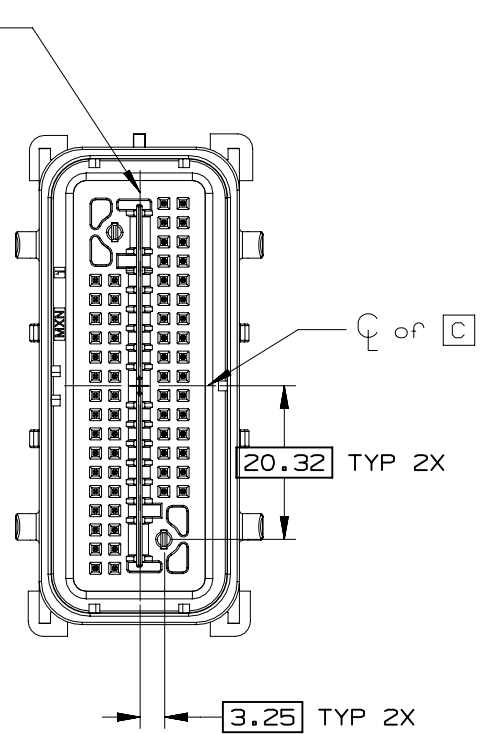


SECTION U-U TYPICAL

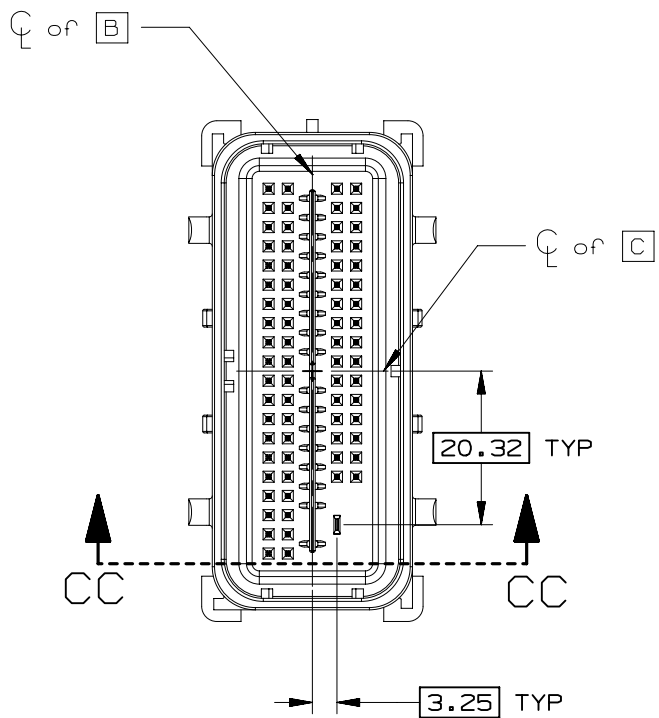




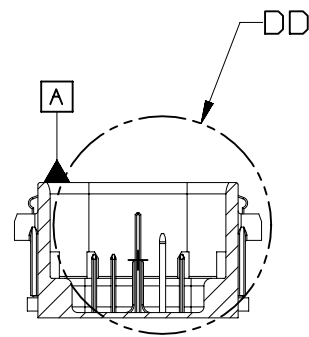
52 CKT COMPONENT  
CONNECTOR INTERFACE



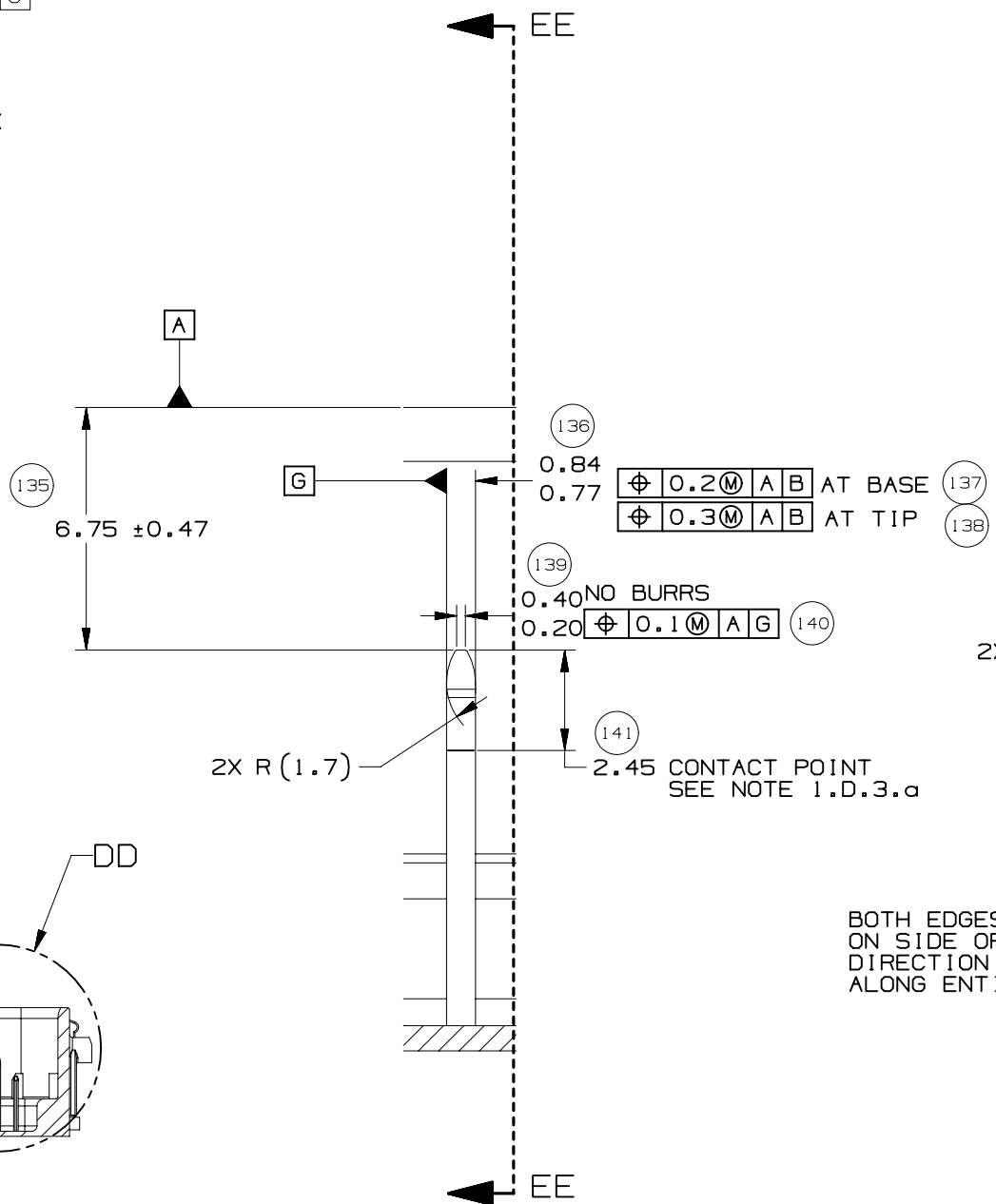
66 CKT COMPONENT  
CONNECTOR INTERFACE



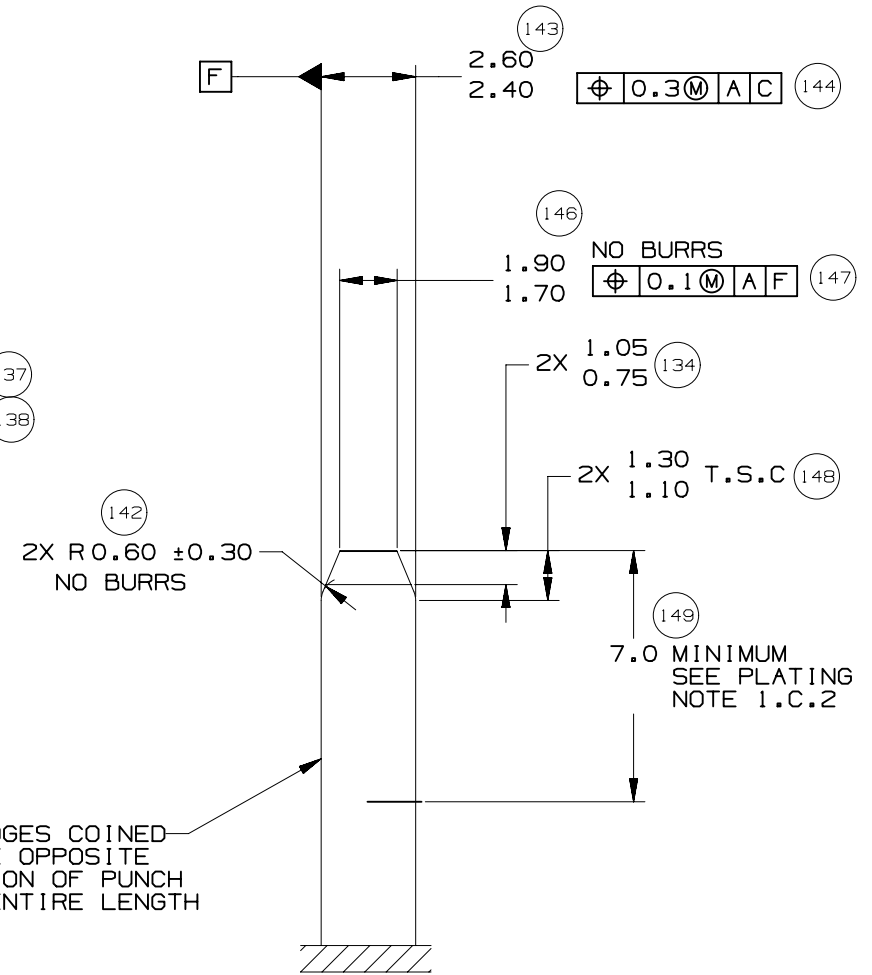
73 CKT COMPONENT  
CONNECTOR INTERFACE



SECTION CC-CC



DETAIL DD  
TYPICAL  
SCALE 5:1



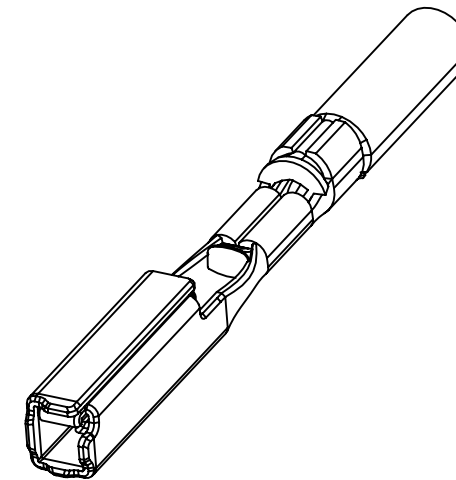
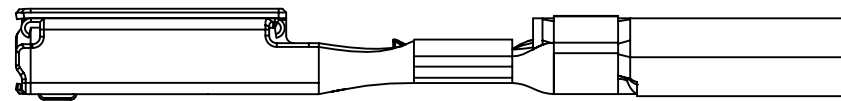
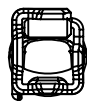
SECTION EE-EE  
TYPICAL

BOTH EDGES COINED  
ON SIDE OPPOSITE  
DIRECTION OF PUNCH  
ALONG ENTIRE LENGTH



MOLEX MX64 RECEPTACLE TERMINAL INFORMATION

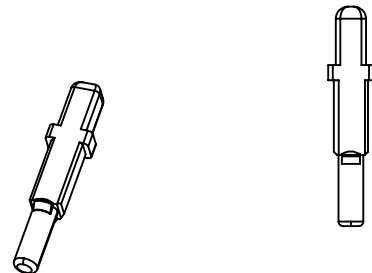
ITEM	MOLEX P/N	GM P/N	WIRE SIZE MM2	TYPE	PLATING	REEL WIND DIRECTION	COMMENTS
1	34736-0025		0.35	ISO	SILVER	LEFT	
2	34736-0026	12672850	0.35	ISO	SILVER	RIGHT	
3	34736-0027		0.5 / 0.75	ISO	SILVER	LEFT	
4	34736-0028	12672851	0.5 / 0.75	ISO	SILVER	RIGHT	



CAVITY PLUGS

ITEM	MFG	MFG P/N	GM P/N RD	SIZE	COLOR	MFG DRAWING	PROD SPEC	APP SPEC	COMMENTS
1	MOLEX	34586-0001	12674820	0.64	NATURAL	SD-34586-001	PS-34566-0000	AS-34566-001	
2	YAZAKI	7158-3114-90	12674821	2.8	BLUE	7158-3114-90	YPES-11-04-062	YPES-15-299	

ITEM 1



ITEM 2



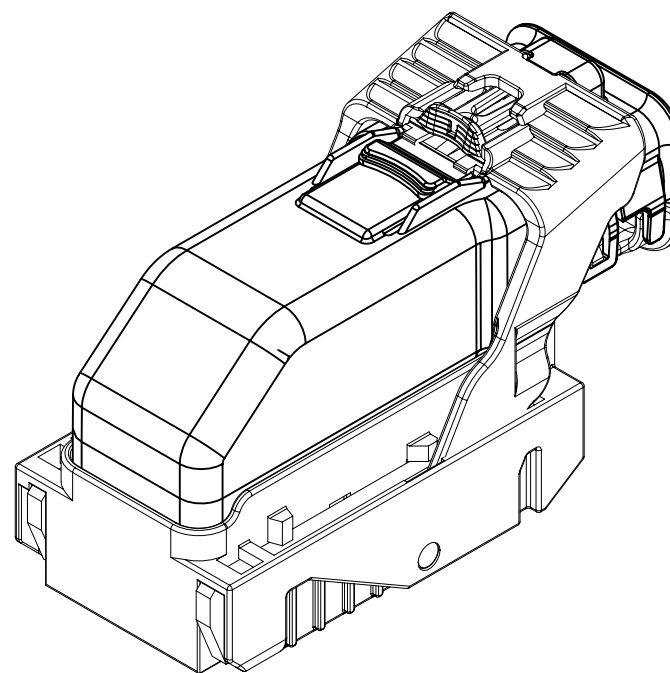
PAGE TITLE  
ADDITIONAL COMPONENTS REQUIRED

DRAWING NUMBER  
12672833


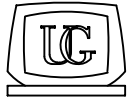
DWG STATUS		
ST	REV	PD1
R	001	

PAGE NUMBER  
22 OF 22

INDEX	
PAGE TITLE	PAGE
TITLE BLOCK	1
REVISION BLOCK	2
PART BLOCK	3
KPC BLOCK	4
COMPONENT TABLE	5
NOTES	6
NOTES	7
WIRE DRESS PACKAGING DIMENSIONS	8
LOCATION AND PACKAGING DIMENSIONS REFERENCING INTERFACE DATUMS B & C	9
LOCATION AND PACKAGING DIMENSIONS REFERENCING INTERFACE DATUM A	10
KEY ID REF - WIRE DRESS OPTION 0	11
KEY ID REF - WIRE DRESS OPTION 9	12
CIRCUIT CONFIGURATIONS	13
CIRCUIT CONFIGURATIONS	14
COMPONENT CONNECTOR INTERFACE	15
COMPONENT CONNECTOR INTERFACE	16
COMPONENT CONNECTOR INTERFACE	17
COMPONENT CONNECTOR INTERFACE	18
COMPONENT CONNECTOR INTERFACE	19
COMPONENT CONNECTOR INTERFACE	20
COMPONENT CONNECTOR INTERFACE	21
ADDITIONAL COMPONENTS REQUIRED	22




ISO VIEW

	<p><b>UNLESS OTHERWISE SPECIFIED:</b> THIS DOCUMENT IS IN ACCORDANCE WITH ASME Y14.5M-1994 AS AMMENDED BY THE GM GLOBAL DIMENSIONING AND TOLERANCING ADDENDUM-1997. ALL GEOMETRIC TOLERANCES AND RELATED DATUMS APPLY RFS. RULE #1 (PERFECT FORM AT MMC) DOES NOT APPLY WHEN A RELATIONSHIP BETWEEN FEATURES IS ESTABLISHED BY ORIENTATION OR LOCATION TOLERANCES. SEPARATE POSITION CALLOUTS MAY BE GAGED SEPARATELY REGARDLESS OF DATUM REFERENCES.</p>			DATE
	 CHANGE RESTRICTED NO MANUAL CHANGES	REFERENCE 12H (MOLEX AUTOMOTIVE)	DRAFTER APVD1 APVD2 APVD3 APVD4 APVD5	05JN15
DO NOT SCALE		DRAWING NAME		
METRIC DIMENSIONS SHOWN IN MILLIMETERS UNLESS OTHERWISE SPECIFIED		HARNESS CONN ASM-SEALED 52/66/73/80 CKTS, MX123		
DRAWING NUMBER		DWG STATUS		PAGE NUMBER
12672833		ST	REV	PD1
		R	001	
				1 OF 22

PAGE	DWG STATUS					REVISION HISTORY	AUTH	DR	CK	ENG
	DATE	ST	REV	CHG	PDI					
	05JN15	R	001			RELEASED TO PRODUCTION AT DLS A	CRMRJE	DFK		

PAGE	DWG STATUS					REVISION HISTORY	AUTH	DR	CK	ENG
	DATE	ST	REV	CHG	PDI					

	PAGE TITLE	DRAWING NUMBER	DWG STATUS			PAGE NUMBER				
	REVISION BLOCK			12672833	ST	REV	PDI	2	OF	22
				R	001					



KEY PRODUCT CHARACTERISTICS  
(IN ACCORDANCE WITH QN 1805 OR ON 1050)



SAFETY/COMPLIANCE

TOTAL ON  
DRAWING

4



FIT/FUNCTION

LAST NO.  
USED

4

NO	TYPE	DESCRIPTION	RATIONALE	PAGE/ZONE
1	F/F	32.68	IMPROVE CONNECTOR SYSTEM MATING	16
2	F/F	29.00	INSURE PROPER RELEASE OF LEVER	16
3	F/F	15.25	INSURE FINAL MATE POSITION	17
4	F/F	POSITIONAL TOLERANCE (2 PLACES)	INSURE CONNECTOR SYSTEM MATEABILITY	20



PAGE TITLE  
KPC BLOCK

DRAWING NUMBER

12672833

DWG STATUS

ST	REV	PDI
----	-----	-----

R	001	
---	-----	--

PAGE NUMBER

4 OF 22

LINE	MFG.	MFG. P/N	GM P/N	EFFECTIVE DATE	APPLICABLE COMPONENTS	KEY OPTION	WIRE DRESS OPTION	KEY CONFIG.	COLOR	STATUS
					DESCRIPTION					
-										
1	MOLEX	34565-0003	12582676	02JN03	MX123 DRESS COVER 52/66/73/80 CKT	N/A	N/A	N/A	BLACK	AVAILABLE
2	MOLEX	160094-0001	12672852	01SP13	MX123 HRNS CONN ASSY 52 CKT	A	0	1458	BLACK	AVAILABLE
3	MOLEX	160094-0003	12672854	01SP13	MX123 HRNS CONN ASSY 52 CKT	C	0	2467	BLUE	AVAILABLE
4	MOLEX	160094-0013	12672853	01SP13	MX123 HRNS CONN ASSY 52 CKT	A	9	1458	BLACK	AVAILABLE
5	MOLEX	160094-0015	12672855	01SP13	MX123 HRNS CONN ASSY 52 CKT	C	9	2467	BLUE	AVAILABLE
6	MOLEX	34822-0013	12672856	01SP13	MX123 HRNS CONN ASSY 66 CKT	A	0	1458	BLACK	AVAILABLE
7	MOLEX	34822-0033	12672858	01SP13	MX123 HRNS CONN ASSY 66 CKT	C	0	2467	BLUE	AVAILABLE
8	MOLEX	34822-0023	12672857	01SP13	MX123 HRNS CONN ASSY 66 CKT	A	9	1458	BLACK	AVAILABLE
9	MOLEX	34822-0043	12672859	01SP13	MX123 HRNS CONN ASSY 66 CKT	C	9	2467	BLUE	AVAILABLE
10	MOLEX	34566-0103	12672860	11JN04	MX123 HRNS CONN ASSY 73 CKT	A	0	1458	BLACK	AVAILABLE
11	MOLEX	34566-0203	12672862	11JN04	MX123 HRNS CONN ASSY 73 CKT	B	0	1468	ST GRAY	AVAILABLE
12	MOLEX	34566-0303	12672864	09AP08	MX123 HRNS CONN ASSY 73 CKT	C	0	2467	BLUE	AVAILABLE
13	MOLEX	34566-0603	12672866	05DC14	MX123 HRNS CONN ASSY 73 CKT	F	0	1357	NATURAL	AVAILABLE
14	MOLEX	34566-1303	12672861	11JN04	MX123 HRNS CONN ASSY 73 CKT	A	9	1458	BLACK	AVAILABLE
15	MOLEX	34566-1403	12672863	11JN04	MX123 HRNS CONN ASSY 73 CKT	B	9	1468	ST GRAY	AVAILABLE
16	MOLEX	34566-1503	12672865	09AP08	MX123 HRNS CONN ASSY 73 CKT	C	9	2467	BLUE	AVAILABLE
17	MOLEX	34566-1803	12672867	05DC14	MX123 HRNS CONN ASSY 73 CKT	F	9	1357	NATURAL	AVAILABLE
18	MOLEX	34566-0703	12672872	09AP08	MX123 HRNS CONN ASSY 80 CKT	G	0	1358	BLUE	AVAILABLE
19	MOLEX	34566-0803	12672870	11JN04	MX123 HRNS CONN ASSY 80 CKT	H	0	2458	ST GRAY	AVAILABLE
20	MOLEX	34566-0903	12672868	T.B.D	MX123 HRNS CONN ASSY 80 CKT	J	0	2457	BLACK	NOT ACTIVE
21	MOLEX	34566-1903	12672873	09AP08	MX123 HRNS CONN ASSY 80 CKT	G	9	1358	BLUE	AVAILABLE
22	MOLEX	34566-2003	12672871	11JN04	MX123 HRNS CONN ASSY 80 CKT	H	9	2458	ST GRAY	AVAILABLE
23	MOLEX	34566-2103	12672869	T.B.D	MX123 HRNS CONN ASSY 80 CKT	J	9	2457	BLACK	NOT ACTIVE
24	MOLEX	34736-0028	12672851	01AU10	MX64 RCPT TERM Ag 0.5mm/0.75mm ISO GAGE B (RIGHT PAYOFF)	N/A	N/A	N/A	N/A	AVAILABLE
25	MOLEX	34736-0026	12672850	01AU10	MX64 RCPT TERM Ag 0.35mm ISO GAGE B (RIGHT PAYOFF)	N/A	N/A	N/A	N/A	AVAILABLE
26	MOLEX	34586-0001	12674820	11JN04	MX123 0.64mm GROMMET PLUG	N/A	N/A	N/A	NATURAL	AVAILABLE
27	YAZAKI	7116-4150-02	12588066	02JN03	2.8mm YESC SEALED FEMALE TERMINAL TIN 0.35mm2-0.50mm2	N/A	N/A	N/A	N/A	NOT ACTIVE
28	YAZAKI	7116-4151-02	12588067	02JN03	2.8mm YESC SEALED FEMALE TERMINAL TIN 0.75mm2-1.0mm2	N/A	N/A	N/A	N/A	NOT ACTIVE
29	YAZAKI	7116-4152-02	12582685	02JN03	2.8mm YESC SEALED FEMALE TERMINAL TIN 1.5mm2-2.5mm2	N/A	N/A	N/A	N/A	AVAILABLE
30	YAZAKI	7158-3111-60	12588068	02JN03	2.8mm CABLE SEAL (wire O.D. range 1.2mm-1.9mm)	N/A	N/A	N/A	GREEN	NOT ACTIVE
31	YAZAKI	7158-3112-70	12588069	02JN03	2.8mm CABLE SEAL (wire O.D. range 1.8mm-2.3mm)	N/A	N/A	N/A	YELLOW	NOT ACTIVE
32	YAZAKI	7158-3113-40	12582686	02JN03	2.8mm CABLE SEAL (wire O.D. range 2.1mm-3.0mm)	N/A	N/A	N/A	WHITE	AVAILABLE
33	YAZAKI	7158-3114-90	12674821	02JN03	2.8mm YESC CAVITY PLUG	N/A	N/A	N/A	BLUE	AVAILABLE
34	MOLEX	63825-8400	N/A	02JN03	MX64 TERM HAND CRIMP TOOL	N/A	N/A	N/A	N/A	AVAILABLE
35	MOLEX	63813-1400	XX019826	02JN03	MX64 TERM SERVICE TOOL	N/A	N/A	N/A	N/A	AVAILABLE
36	MOLEX	63902-5300	N/A	02JN03	MX64 CRIMP APPLICATOR with TOOL KIT 0.5/0.75mm2 PAYOFF DIRECTION D (left payoff) (contact Molex for payoff detail)	N/A	N/A	N/A	N/A	AVAILABLE
37	MOLEX	63902-5370	N/A	02JN03	MX64 APPLICATOR TOOL KIT 0.5/0.75mm2	N/A	N/A	N/A	N/A	AVAILABLE
38	MOLEX	63902-5100	N/A	02JN03	MX64 CRIMP APPLICATOR with TOOL KIT 0.35mm2 PAYOFF DIRECTION D (left payoff) (contact Molex for payoff detail)	N/A	N/A	N/A	N/A	AVAILABLE
39	MOLEX	63902-5170	N/A	02JN03	MX64 APPLICATOR TOOL KIT 0.35mm2	N/A	N/A	N/A	N/A	AVAILABLE
40	SPX	J35616-64	T.B.D.	02JN03	0.64mm PROBE TOOL (for rcpt)	N/A	N/A	N/A	N/A	AVAILABLE
41	SPX	J35616-64A	T.B.D.	02JN03	0.64mm PROBE TOOL WITH EXT (for rcpt)	N/A	N/A	N/A	N/A	AVAILABLE
42	SPX	J35616-65	T.B.D.	02JN03	0.64mm PROBE TOOL WITH EXT (for pin)	N/A	N/A	N/A	N/A	AVAILABLE
43	SPX	J35616-4A	T.B.D.	02JN03	2.8mm PROBE TOOL (for rcpt)	N/A	N/A	N/A	N/A	AVAILABLE
44	YAZAKI	X39899-J374	12094430	02JN03	2.8mm TERM SERVICE TOOL	N/A	N/A	N/A	N/A	AVAILABLE
45	TQI	7000-1006	N/A	15JN15	52 CKT PASS THROUGH ADAPTERS	N/A	N/A	N/A	BLACK	AVAILABLE
46	TQI	7000-1002	N/A	15JN15	66 CKT PASS THROUGH ADAPTERS	N/A	N/A	N/A	BLACK	AVAILABLE
47	TQI	79917-0061	N/A	15JN15	73 CKT PASS THROUGH ADAPTERS	N/A	N/A	N/A	BLACK	AVAILABLE
48	TQI	79917-0066	N/A	15JN15	80 CKT PASS THROUGH ADAPTERS	N/A	N/A	N/A	BLACK	AVAILABLE

\* - MX123 DRESS COVER 52/66/73/80 CKT MATES TO ANY MX123 HARN CONN ASSY SHOWN ON TABLE ABOVE



PAGE TITLE  
COMPONENT TABLE

DRAWING NUMBER

12672833

DWG STATUS

ST REV PDI

R 001

PAGE NUMBER

5 OF 22

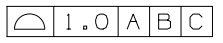


NOTES: UNLESS OTHERWISE SPECIFIED

1. MATERIAL FOR INTERFACE:


- A. RESIN:
  - 1. 30% G.F. PBT; 20% MAX. (BY WEIGHT) REGRIND.
  - 2. MATING CONNECTOR INTERFACE PART COLOR MUST BE SAME AS MATCHING KEYED HARNESS CONNECTOR ASSEMBLY.
  - 3. MUST BE VALIDATED FOR INDIVIDUAL DEVICE APPLICATION REQUIREMENTS.
- B. 0.64MM PINS:
  - 1. BASE MATERIAL: COPPER ALLOY; CONDUCTIVITY >= 28% IACS AT 20°C; TENSILE STRENGTH >= 635 N/mm<sup>2</sup>; SURFACE ROUGHNESS R<sub>a</sub> 6 MAX.
  - 2. PLATING FINISH: SILVER (Ag). PLATING TO BE 1.9-3.3 μm ELECTRODEPOSITED SEMI-BRIGHT SILVER OVER 1.25-2.25 μm DUCTILE SULPHAMATE NICKEL PER NOTE 1(D).
  - 3. ANTI-TARNISH: SYNTHETIC HYDROCARBON CONTACT SURFACE FINISH OR EQUIVALENT APPLIED WITHOUT VOID TO CONTACT AREA (MIN 3.7mm FROM PIN TIP).
- C. 2.8MM BLADE:
  - 1. BASE MATERIAL: COPPER ALLOY; CONDUCTIVITY >= 28% IACS AT 20°C; TENSILE STRENGTH >= 350 N/mm<sup>2</sup>; SURFACE ROUGHNESS R<sub>a</sub> 6 MAX.
  - 2. PLATING FINISH: TIN. PLATING TO BE 2.5-5.0 μm ELECTRODEPOSITED TIN, MATTE FINISH OVER 1.25-2.5 μm DUCTILE SULPHAMATE NICKEL PER NOTE 1(D).
- D. PLATING REQUIREMENTS:
  - 1. SILVER PLATING
    - a. 99.5% PURE SEMI-BRIGHT WITH NO ORGANIC BRIGHTNERS OR CHROMATES.
  - 2. NICKEL PLATING
    - a. ELECTRODEPOSITED DUCTILE SULFAMATE NICKEL WITH A NON-BRIGHTENED FINISH. NO ORGANIC OR BRIGHTENING AGENTS SHALL BE ALLOWED.
    - b. SHALL ONLY BE USED AS AN UNDERLYING PLATING AND MAY NOT BE USED AS AN ELECTRICAL CONTACT SURFACE PLATING.
    - c. SHALL BE NODULE FREE WHEN VIEWED AT 10X MAGNIFICATION IN MEASURED IN CONTACT SURFACE AREA PLUS 0.5MM PERIMETER AROUND THE CONTACT SURFACE AREA.
    - d. ALL PLATINGS SHALL HAVE A 1.0% MAXIMUM BY WEIGHT IMPURITIES. IMPURITIES ARE DEFINED AS ALL ELEMENTS NOT THE PRIMARY PLATING OR HARDENING AGENT IF APPLICABLE, AS DETERMINED BY WET CHEMICAL ANALYSIS OR AUGER METHOD. NO SINGLE IMPURITY SHALL EXCEED 0.1% MAXIMUM BY WEIGHT.
  - 3. TESTING
    - a. THICKNESS TO BE MEASURED IN CONTACT SURFACE AREA PLUS 0.5MM PERIMETER AROUND THE CONTACT SURFACE AREA AS DESIGNATED IN THE DRAWING. THICKNESS SHALL BE DETERMINED BY METHOD OF X-RAY (XRF).
    - b. PLATING ADHESION SHALL BE TESTED BY A BEND TEST FOR ALL METALS. THE TEST SAMPLE SHALL BE BENT 90 DEGREES TO DETERMINE DEPOSIT ADHESION. TESTING SHALL BE COMPLETED IN ACCORDANCE WITH ASTM SPEC B571.

2. DESIGN - GENERAL:

- A. THIS IS A 100% CAD GENERATED PART. THE CAD MATHEMATICAL DATA IS THE MASTER FOR THIS PART. FOR DIMENSIONAL OR ANY INFORMATION NOT SHOWN ON THIS DRAWING, ANALYZE THE CAD MODEL.
- B. TOLERANCES:
  - 1. LINEAR
    - 0.X ± 0.30
    - 0.XX ± 0.10
    - 0.XXX ± 0.10
  - 2. ANGULAR X° ± 3°
  - 3. 
- C. MINIMUM WALL THICKNESS REQUIRED: 1.3mm.
- D. CORNERS SHOWN AS SHARP TO BE R 0.2 MAX.
- E. LETTERING SHALL BE 0.15 MAX RAISED IN 0.20 MAX RECESS PAD. THIS INCLUDES MATERIAL CODE, RECYCLING CODE, CAVITY ID AND DATE CODE.
- F-1. PARTS MUST BE FREE OF DISCOLORATION, SALT RESIDUE AND OTHER IMPERFECTIONS THAT AFFECT FIT OR FUNCTION.
- F-2. SCRATCHES OR DENTS NOT TO EXCEED 0.013mm IN DEPTH.
- G. FOLLOWING PRODUCTION CODES TO BE PERMANENTLY MARKED & HUMAN READABLE TO A LETTER HEIGHT OF 1.5 ± 0.5MM X 0.3 MAX DEEP
  - 1. MATERIAL #: XXXXX-XXXX
  - 2. DATE CODE: JJYY (JULIAN DAY, LAST DIGIT OF YEAR)
  - 3. INSPECTION MACHINE CODE + SERIAL #: X\_XXXXX

3. DESIGN - MANUFACTURING:

- A. DRAFT TO BE WITHIN TOLERANCE.
- B. ALLOWABLE FLASH MAX 0.2 HIGH X MAX 0.13 THICK.
- C. ALLOWABLE PARTING LINE MISMATCH 0.2 MAX.
- D. EJECTOR PINS MARK TO BE FLUSH TO 0.25 MAX DEPRESSED.
- E. ALLOWABLE GATE VESTIGE FLUSH TO 0.25 MAX PROTRUSION.
- F. NO EXTERNAL MOLD RELEASE AGENT ALLOWED DURING MANUFACTURING.
- G. STEEL THAT FORMS THE INDICATED SURFACE MUST BE POLISHED WITH A DIAMOND FINISH (SPI A-2) OVER THE FULL PERIPHERY OF THE TOOL. SURFACE MUST HAVE NO MISMATCH.
- H. ANY PROCESS LUBRICANT REMAINING ON THE TERMINAL MUST NOT VARNISH OR DEGRADE IT'S ELECTRICAL PERFORMANCE UP TO A MAXIMUM CLASS AMBIENT TEMPERATURE PER SAE USCAR-2 FOR 1008 HOURS. PROCESS LUBRICANTS SHOULD BE APPROVED BY THE RESPONSIBLE ENGINEER.
- J. OPTIONAL FEATURES PROVIDED FOR AUTOMATION.
- K. PART MUST BE FREE FROM BURRS AND SHARP EDGES, WHICH MIGHT BE DETRIMENTAL TO SATISFACTORY ASSEMBLY, SAFE HANDLING OR FUNCTION OF PART.
- L. PARTS AS DELIVERED TO ASSEMBLY SHALL BE CLEAN AND FREE OF DEBRIS, RESIDUAL ABRASIVE MATERIAL AND CORROSION PRODUCTS ADVERESLY AFFECTING FUNCTION OR APPEARENCE.
- M. RESTRICTED AND REPORTABLE SUBSTANCES FOR PARTS PER GMW3059.

	PAGE TITLE	DRAWING NUMBER	DWG STATUS			PAGE NUMBER	
	NOTES		12672833	ST	REV	PDI	6 OF 22
				R	001		

NOTES: UNLESS OTHERWISE SPECIFIED

4. SYSTEM REQUIREMENTS:

- A. HARNESS CONNECTOR IS COMPATIBLE WITH THE FOLLOWING ISO WIRE SIZE NO'S:  
 0.35mm<sup>2</sup>, MEETING GMW15626 - MIN OD OF 1.30MM  
 0.50mm<sup>2</sup>, MEETING GMW15626  
 0.75mm<sup>2</sup>, MEETING GMW15626 - MAX OD OF 2.06MM

B. CABLE TIE SPECIFICATIONS:

1. CABLE TIE:
  - TENSILE RATING: 220N / (50lbs) MIN
  - TIE LENGTH: 186mm MIN
  - TIE WIDTH: 4.75mm MAX
  - MATERIAL: NYLON
2. INSTALLATION:
  - CABLE TIE TENSION: 190N MIN
3. DRESSED WIRE BUNDLE PACKAGING: SEE FIG. 1

C. WHEN MATED WITH COMPONENT CONNECTOR INTERFACE AND/OR DRESS COVER, HARNESS CONNECTOR SYSTEM CONFORMS TO THE FOLLOWING:

1. SAE/USCAR-2, REV: 3 APRIL, 2001; CLASS 3
2. FIELD CORRELATED LIFE TEST, SAE/USCAR-20, NOV. 2001
3. GMW #3191 AUGUST 22, 2000 (DRAFT); TEMPERATURE CLASS 3, SEALING CLASS 1, VIBRATION CLASS 2
4. RESTRICTED AND REPORTABLE CHEMICALS PER GMW #3059, REV: D AUGUST 2002
5. TPA USER FORCES (FULLY POPULATED WITH TERMINALS)
  - a. REMOVAL FROM LOCK TO PRE-SET: <=120N

D. WIRE SPECIFICATIONS:

1. WIRE SURFACE MUST BE FREE OF SCRATCHES, GROOVES OR DENTS WHERE FUNCTIONAL

5. TERMINAL CURRENT RATINGS:

A. MX64 RCPT TERM

ALL TESTING DONE IN ACCORDANCE WITH USCAR-2 REV5 SECTION 5.3

1. MX64 RCPT TERM Ag 0.50/0.75mm<sup>2</sup> CRIMPED TO 0.75mm<sup>2</sup> ISO WIRE AND MATED TO MX123 0.64MM PIN: SEE TABLE BELOW
2. MX64 RCPT TERM Ag 0.35mm<sup>2</sup> CRIMPED TO 0.35mm<sup>2</sup> ISO WIRE AND MATED TO MX123 0.64MM PIN: SEE TABLE BELOW

WIRE	CURRENT RATING			
	23°C	85°C	105°C	125°C
0.75mm <sup>2</sup>	11.3A	11.3A	9.5A	6.6A
0.50mm <sup>2</sup>	10.0A	10.0A	8.3A	5.7A
0.35mm <sup>2</sup>	8.5A	8.5A	7.1A	5.0A

B. 2.8MM RCPT TERM

ALL TESTING DONE IN ACCORDANCE WITH MOLEX DVP&R 0279 (TR # 7125)

1. 2.8MM RCPT TERM TIN 2.0mm<sup>2</sup> CRIMPED TO 2.0mm<sup>2</sup> ISO WIRE AND MATED TO MX123 2.8MM BLADE: 25.6 AMPS AT 125°C

6. CONTACT MOLEX AUTOMOTIVE FOR AVAILABLE CUSTOM PATTERNS OF CAVITIES OPEN FOR CIRCUITS - SEE GM DRAWING 13507496



PAGE TITLE  
NOTES

DRAWING NUMBER

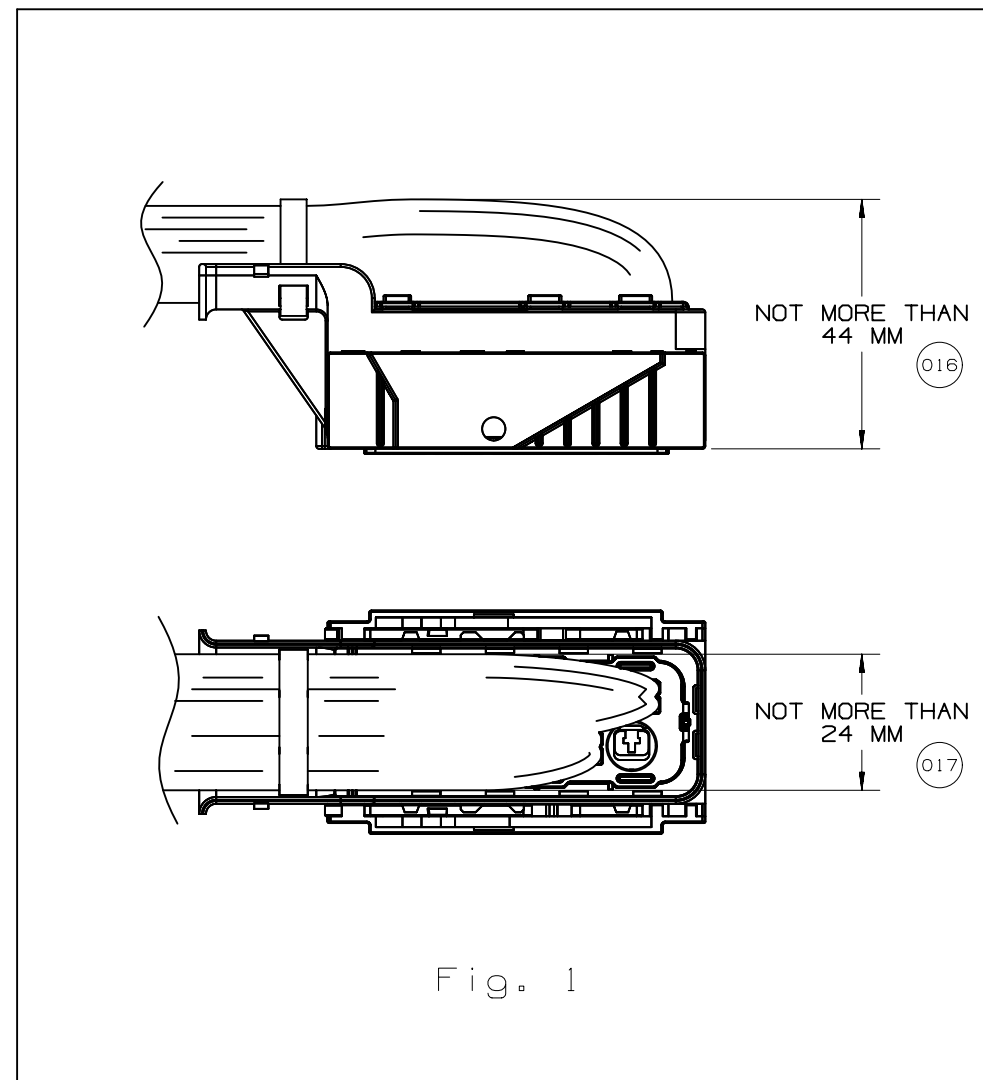
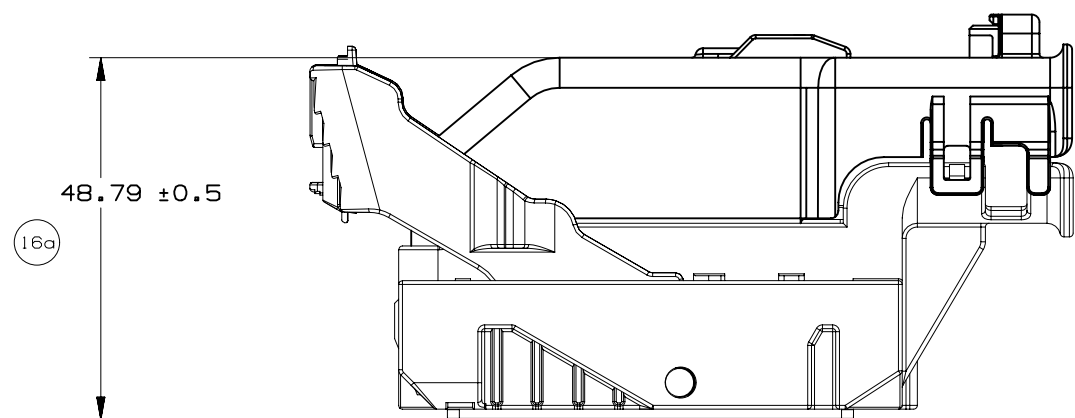
12672833

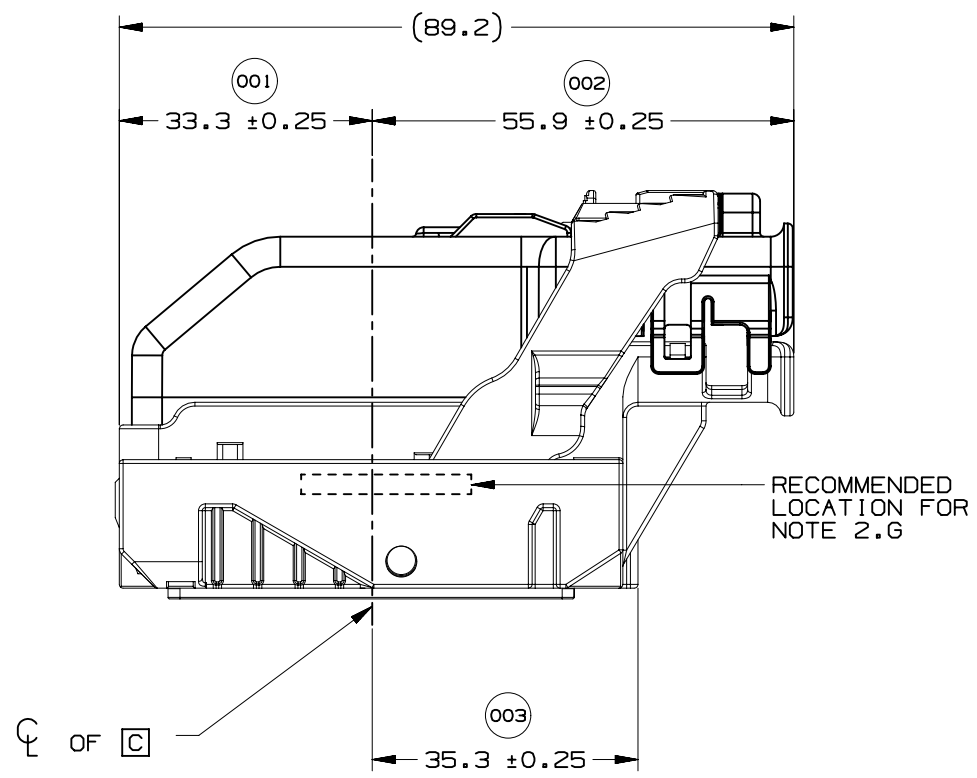
DWG STATUS

ST	REV	PDI
R	001	

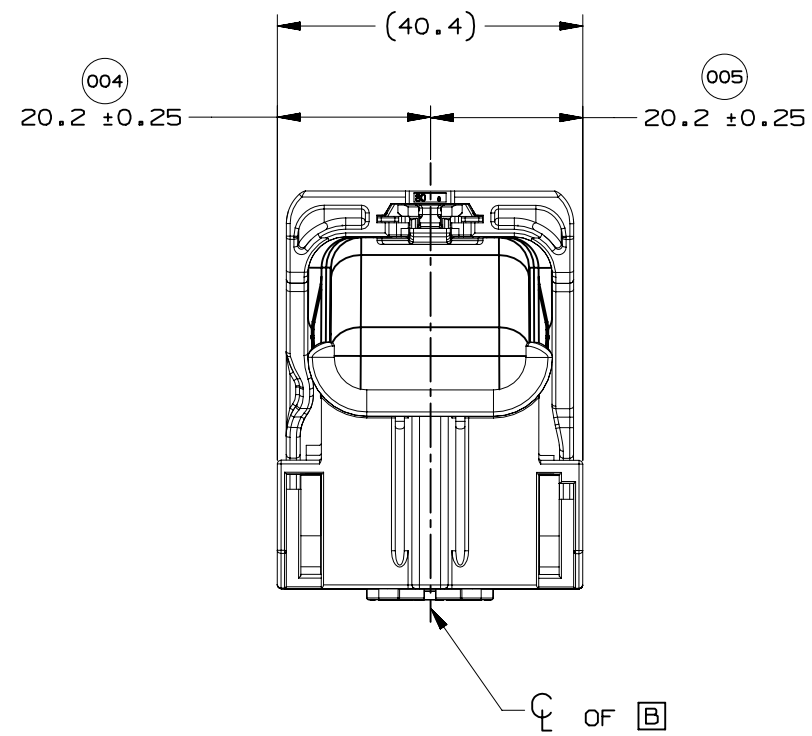
PAGE NUMBER

7 OF 22

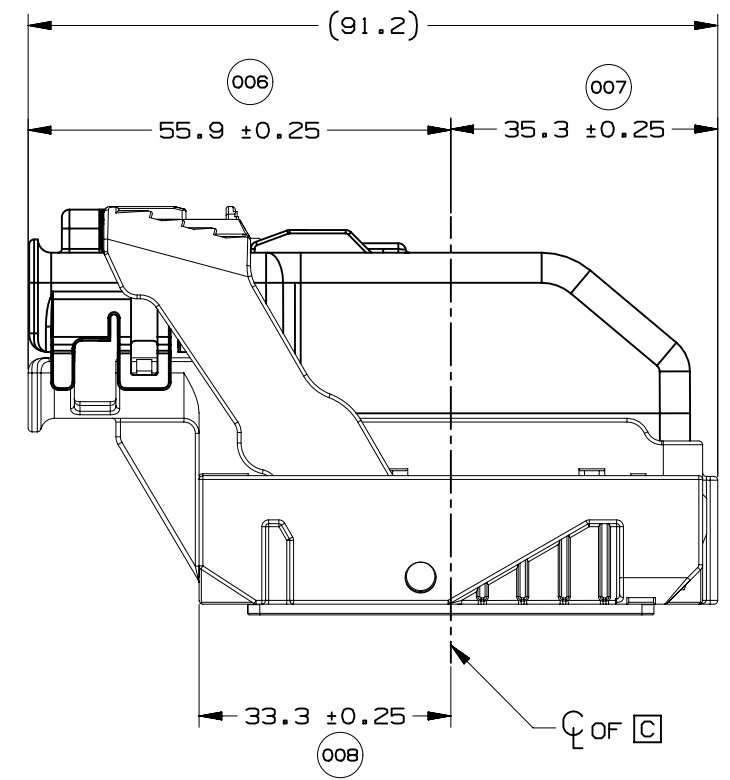




WIRE DRESS OPTION 0 SHOWN

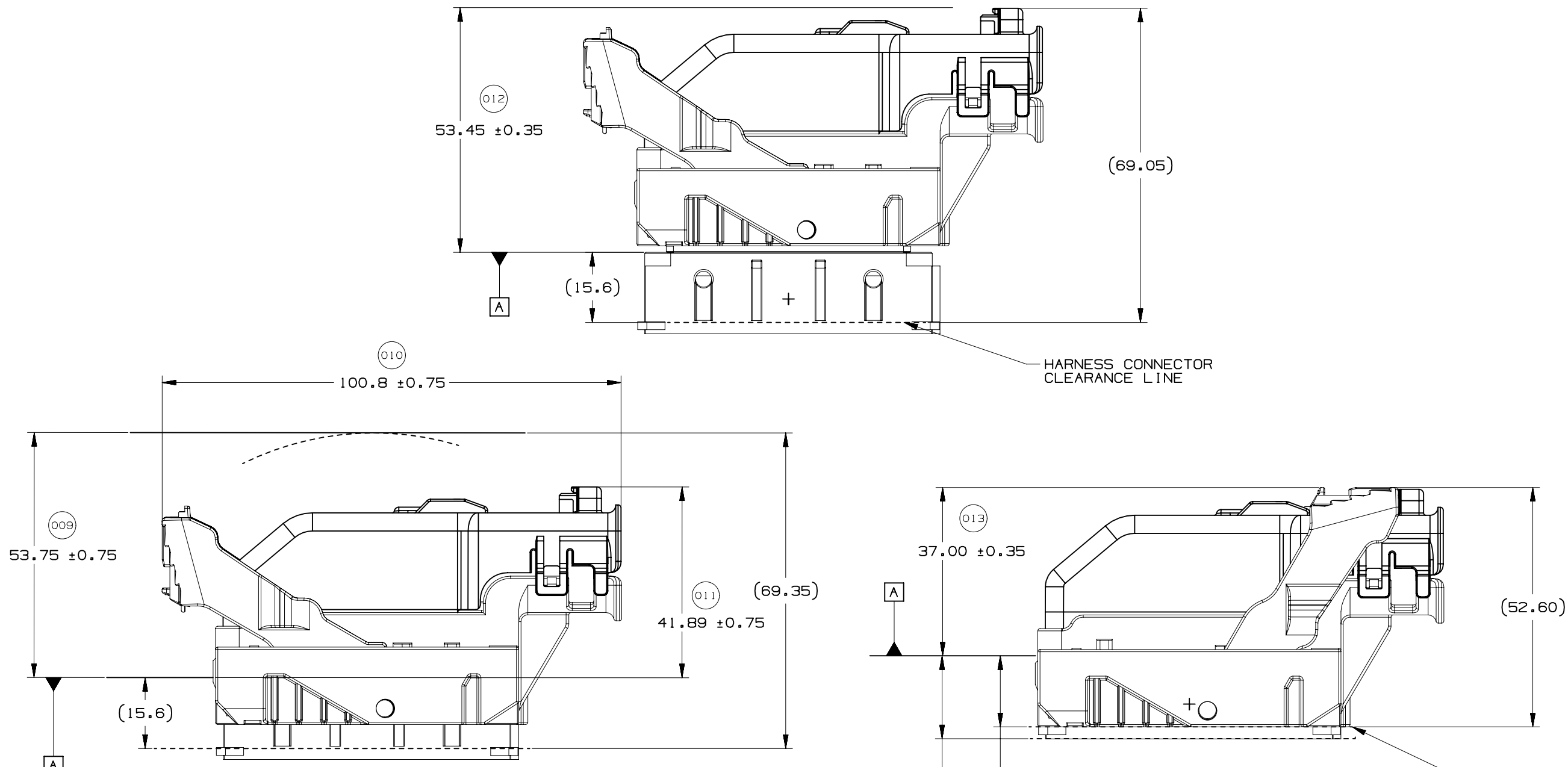


WIRE DRESS OPTION 0 SHOWN



WIRE DRESS OPTION 9 SHOWN





HARNESS CONNECTOR CLEARANCE LINE

HARNESS CONNECTOR ASSEMBLY IN FULLY-MATED POSITION

HARNESS CONNECTOR CLEARANCE LINE

15.6 MIN. ALL AROUND CLEARANCE REQUIRED FOR HARNESS CONNECTOR (014)

17.9 MIN. AT PAD LOCATION CLEARANCE REQUIRED FOR HARNESS CONNECTOR CONSTRUCTION BELOW THIS PLANE IS NOT CONTROLLED (015)

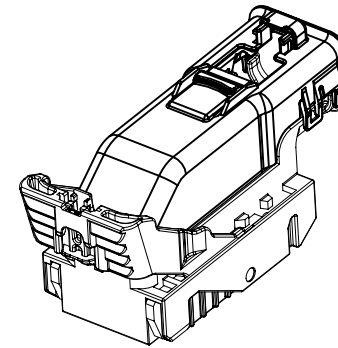
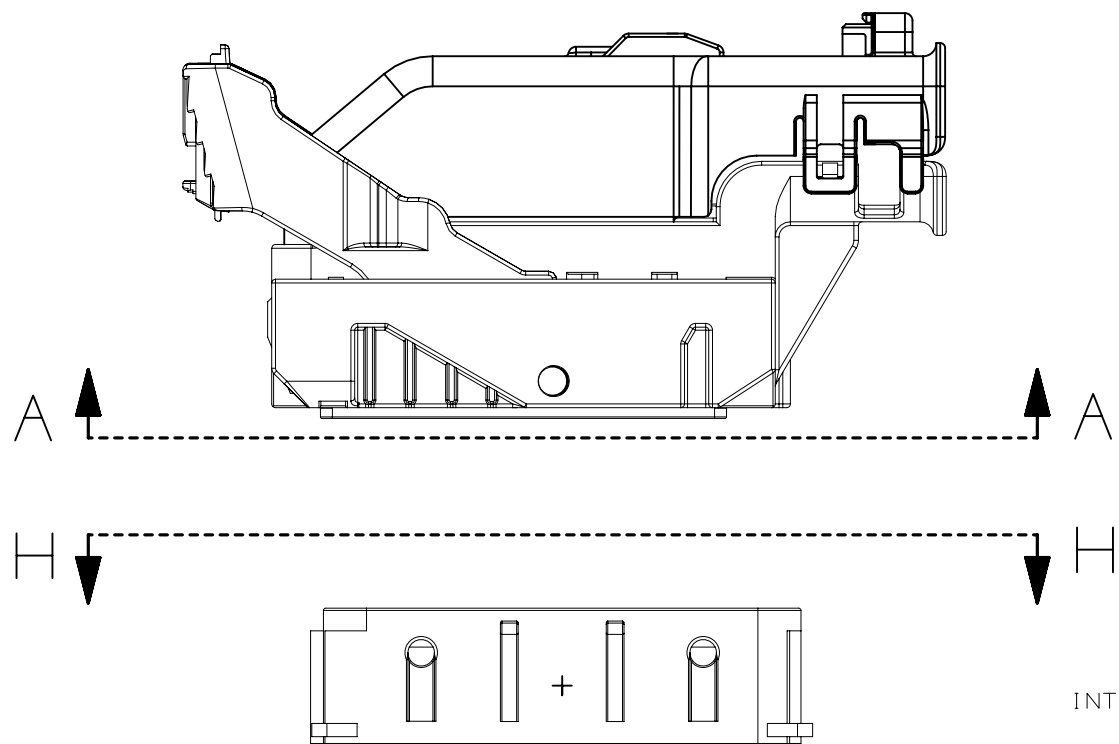


PAGE TITLE  
 LOCATION AND PACKAGING DIMENSIONS  
 REFERENCING INTERFACE DATUM A

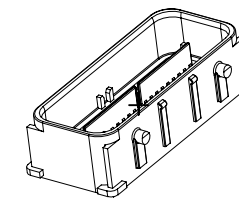
DRAWING NUMBER  
 12672833

DWG STATUS		
ST	REV	PD1
R	001	

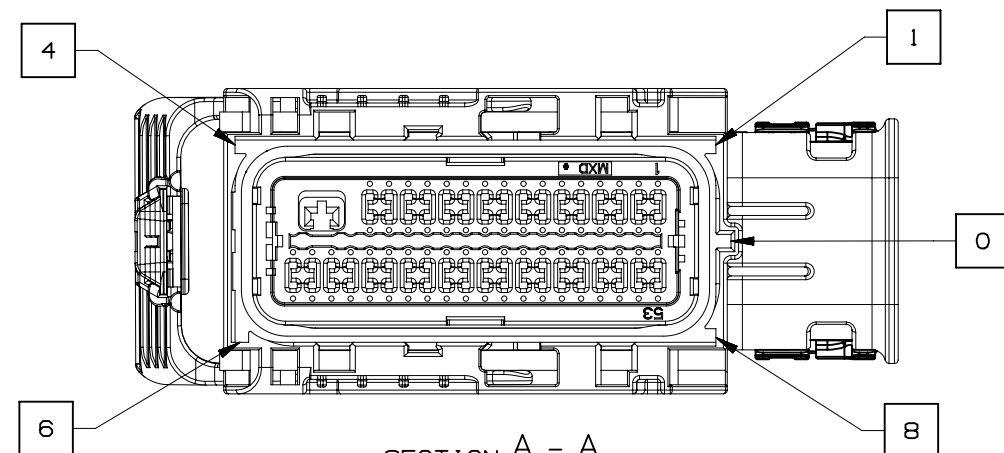
PAGE NUMBER  
 10 OF 22



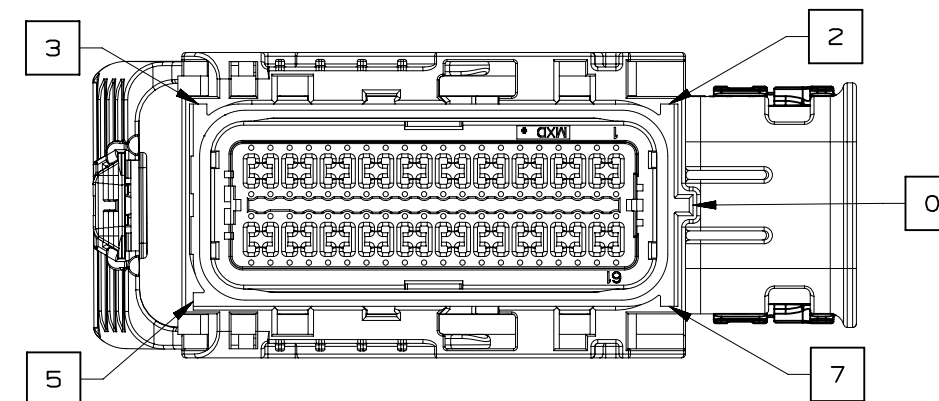
NOTE: REFERENCE THE COMPONENT TABLE FOR KEY OPTIONS AND CONFIGURATIONS



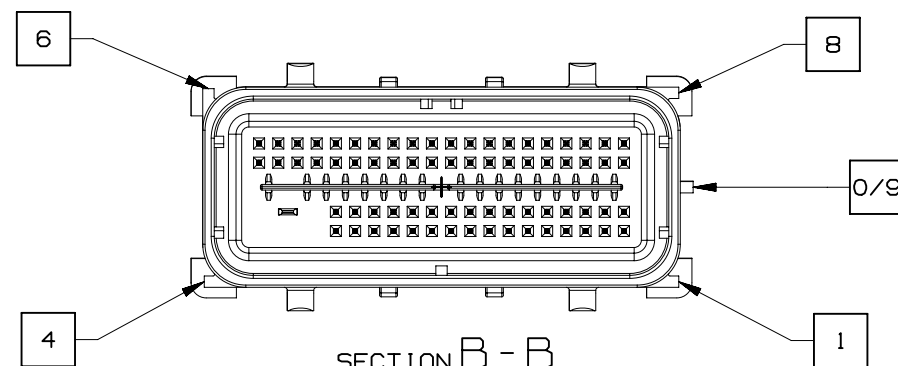
INTERFACE SIDE SHOWN ON ALL SECTION VIEWS



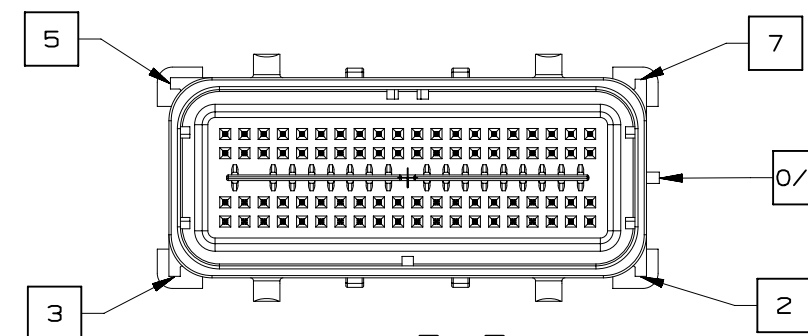
SECTION A - A  
73 CKT HARNESS CONNECTOR ASSEMBLY  
KEY OPTION B SHOWN



SECTION A - A  
80 CKT HARNESS CONNECTOR ASSEMBLY  
KEY OPTION K SHOWN



SECTION B - B  
73 CKT HARNESS CONNECTOR ASSEMBLY  
KEY OPTION B SHOWN



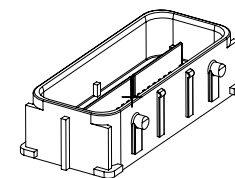
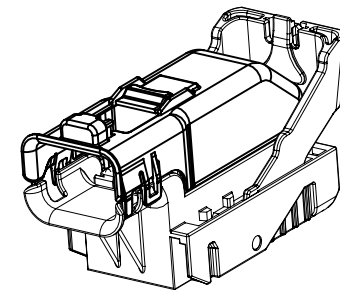
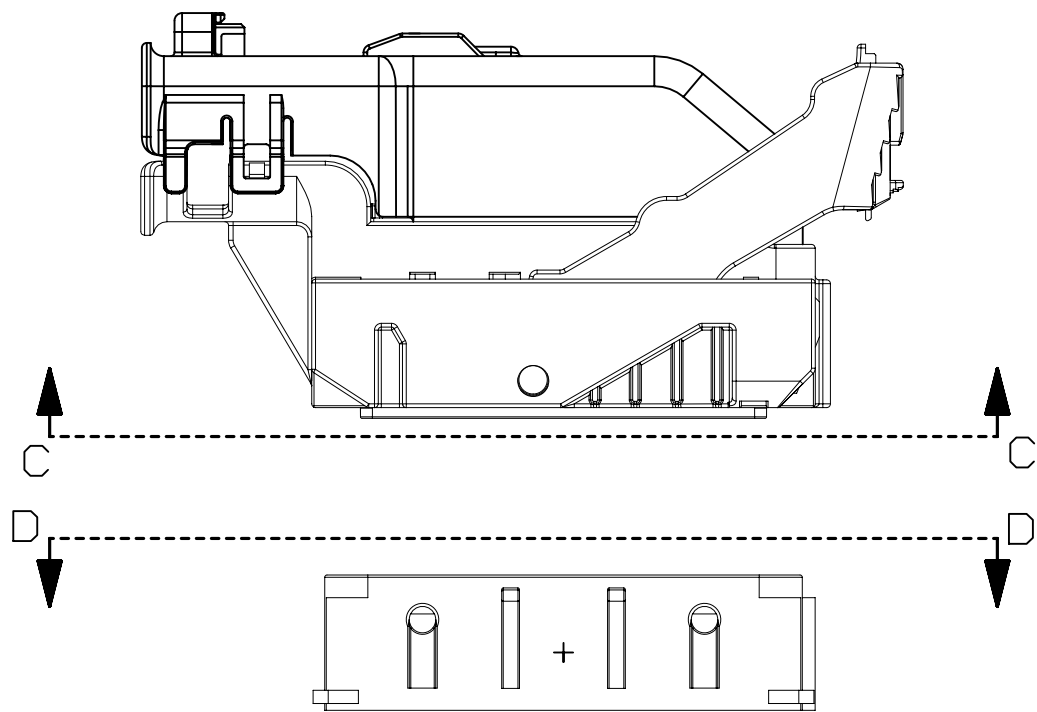
SECTION B - B  
80 CKT HARNESS CONNECTOR ASSEMBLY  
KEY OPTION K SHOWN



PAGE TITLE  
KEY ID REF - WIRE DRESS OPTION 0

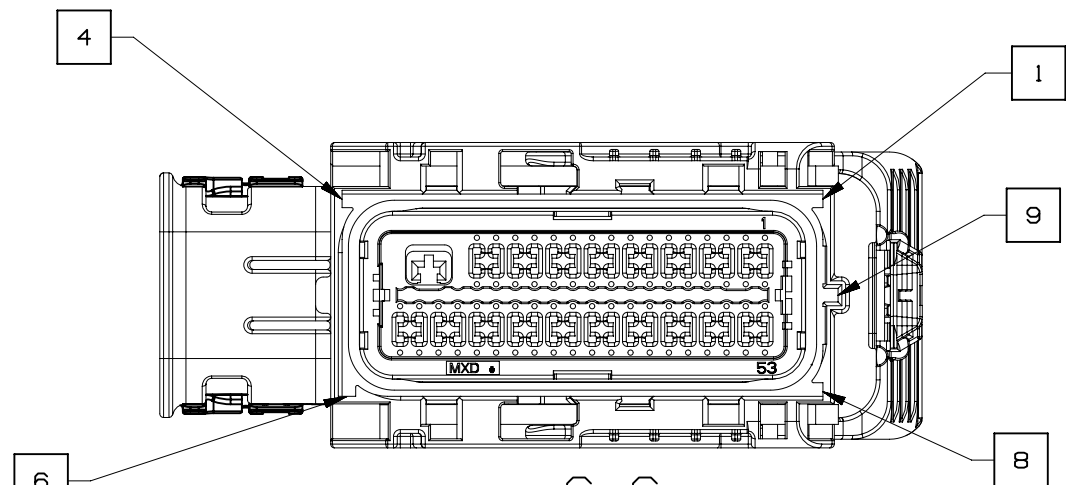
DRAWING NUMBER  
12672833

DWG STATUS			PAGE NUMBER	
ST	REV	PD1	11	OF 22
R	001			

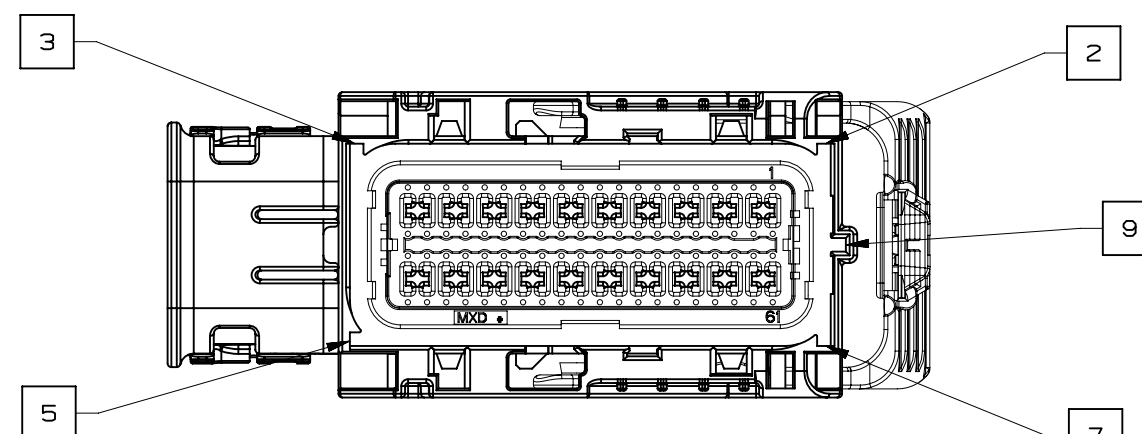


NOTE: REFERENCE THE COMPONENT TABLE FOR KEY OPTIONS AND CONFIGURATIONS

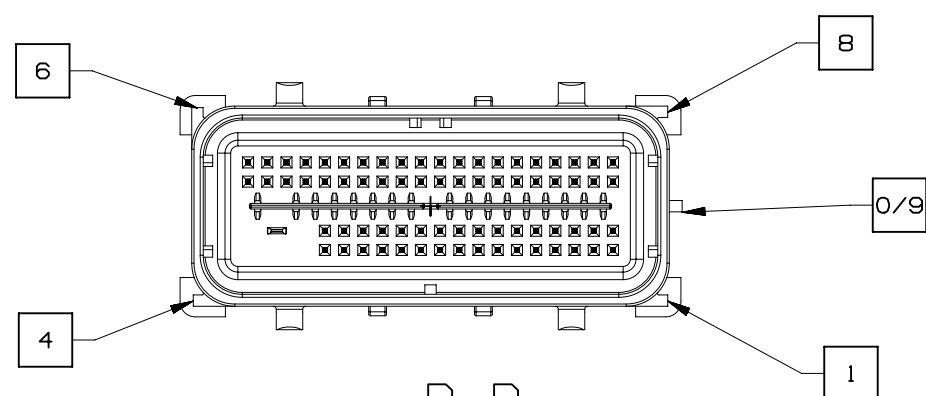
INTERFACE SIDE SHOWN ON ALL SECTION VIEWS



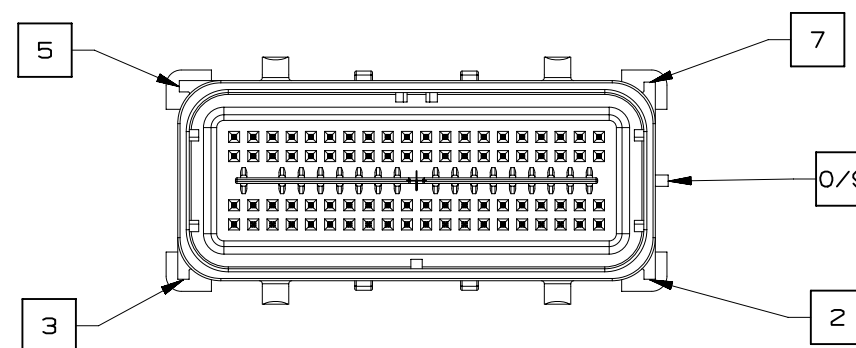
SECTION C-C  
73 CKT HARNESS CONNECTOR ASSEMBLY  
KEY OPTION B SHOWN



SECTION C-C  
80 CKT HARNESS CONNECTOR ASSEMBLY  
KEY OPTION K SHOWN



SECTION D-D  
73 CKT HARNESS CONNECTOR ASSEMBLY  
KEY OPTION B SHOWN



SECTION D-D  
80 CKT HARNESS CONNECTOR ASSEMBLY  
KEY OPTION K SHOWN

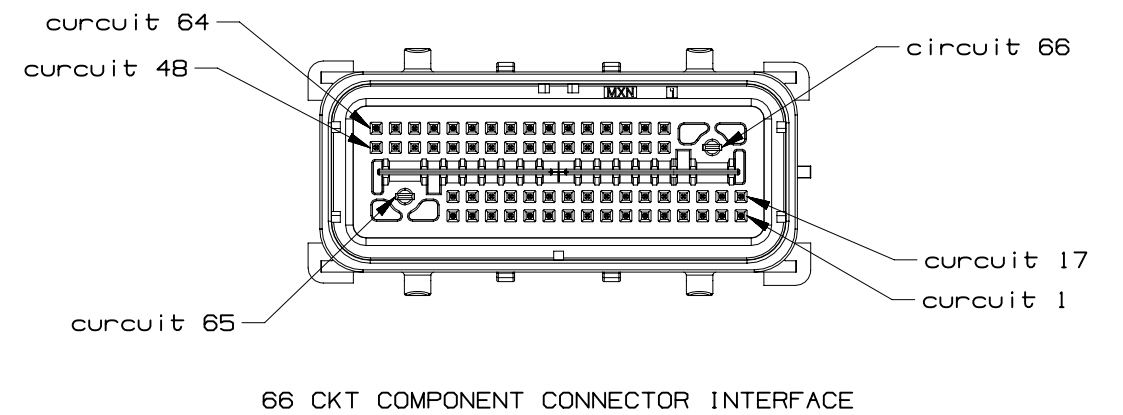
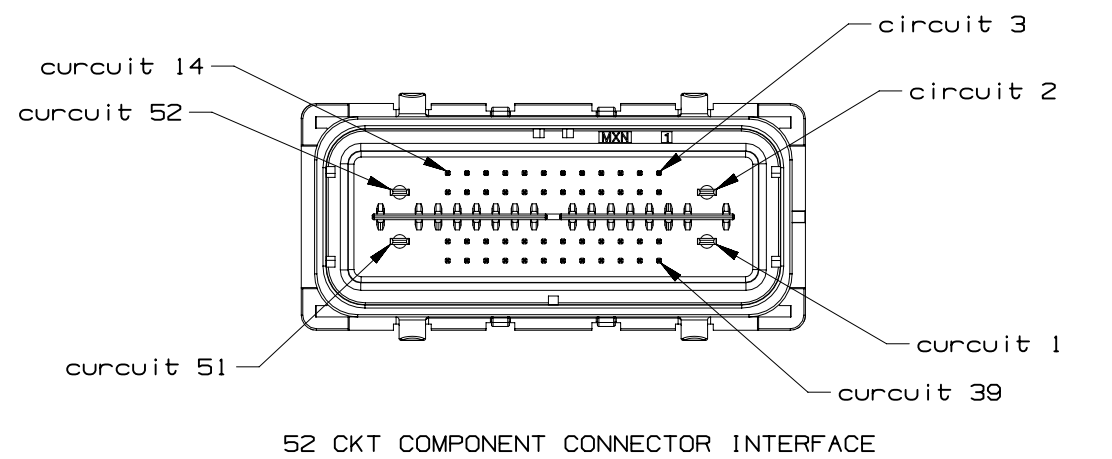
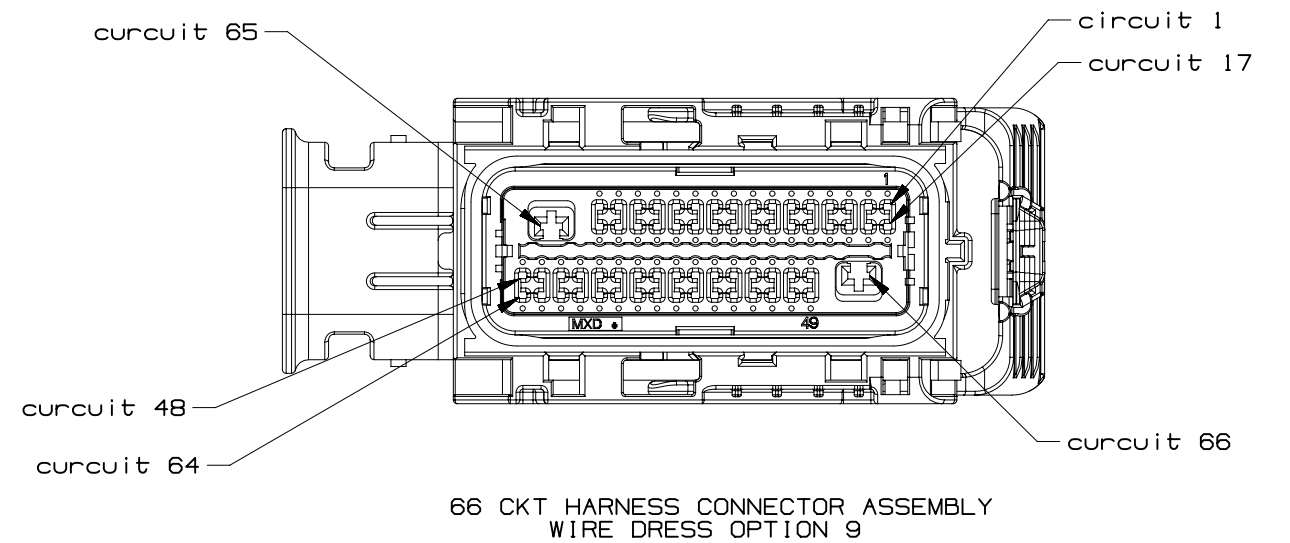
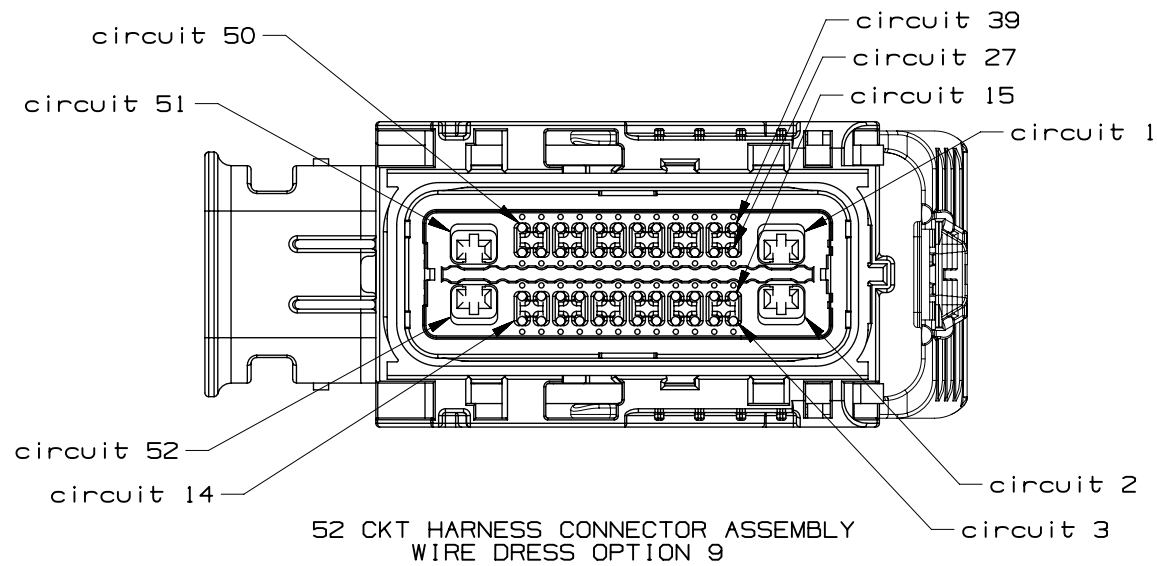
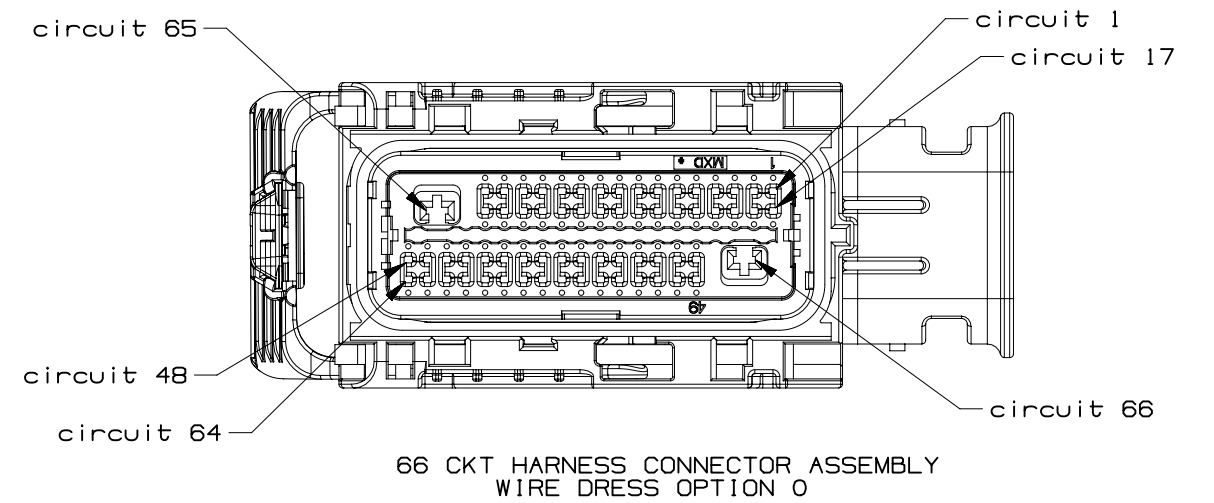
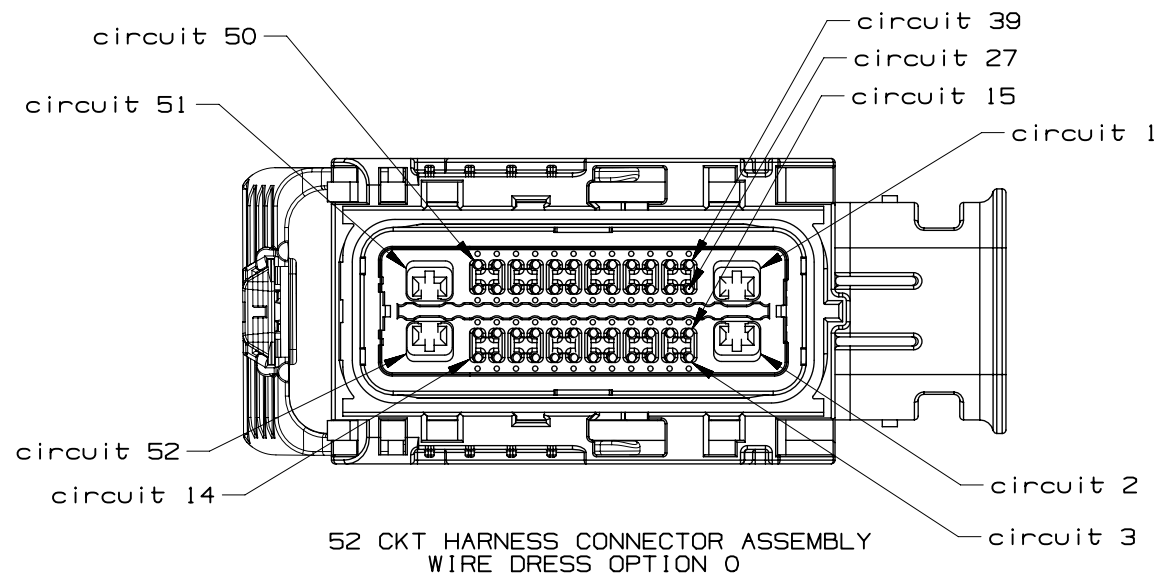


PAGE TITLE  
KEY ID REF - WIRE DRESS OPTION 9

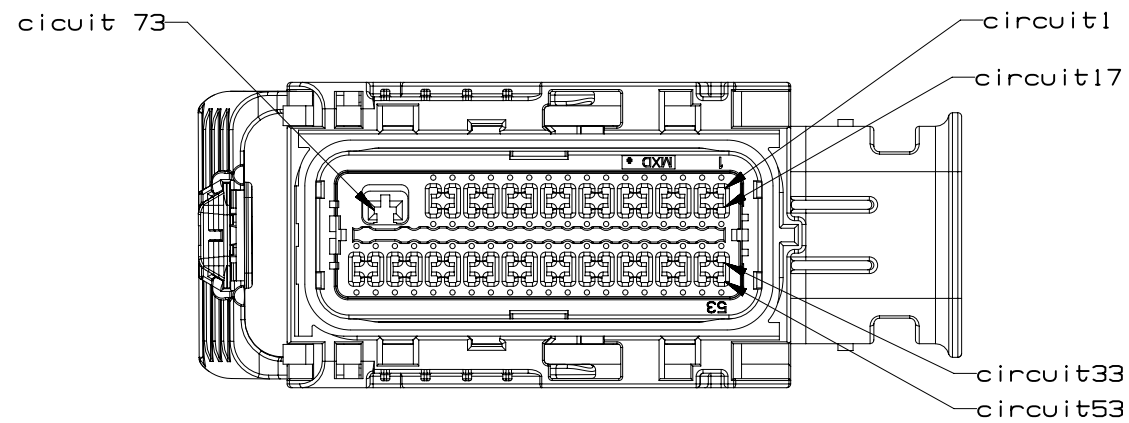
DRAWING NUMBER  
12672833

DWG STATUS		
ST	REV	PD1
R	001	

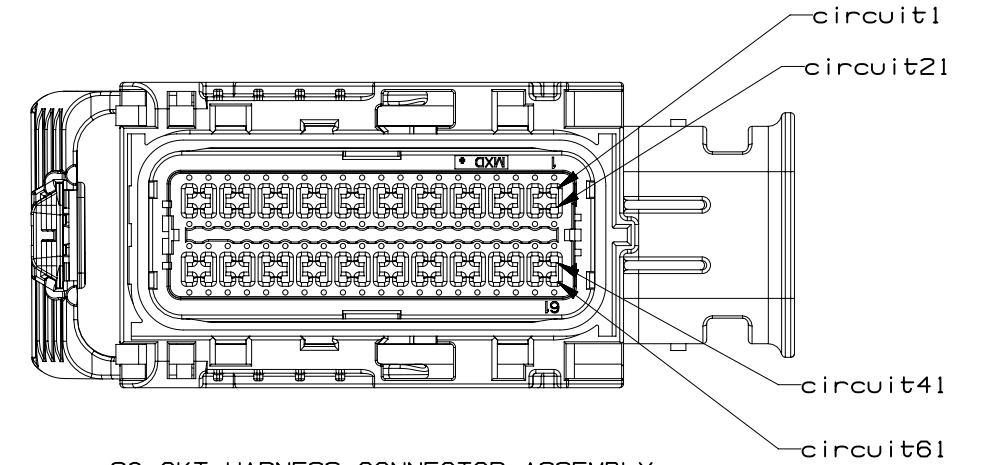
PAGE NUMBER  
12 OF 22





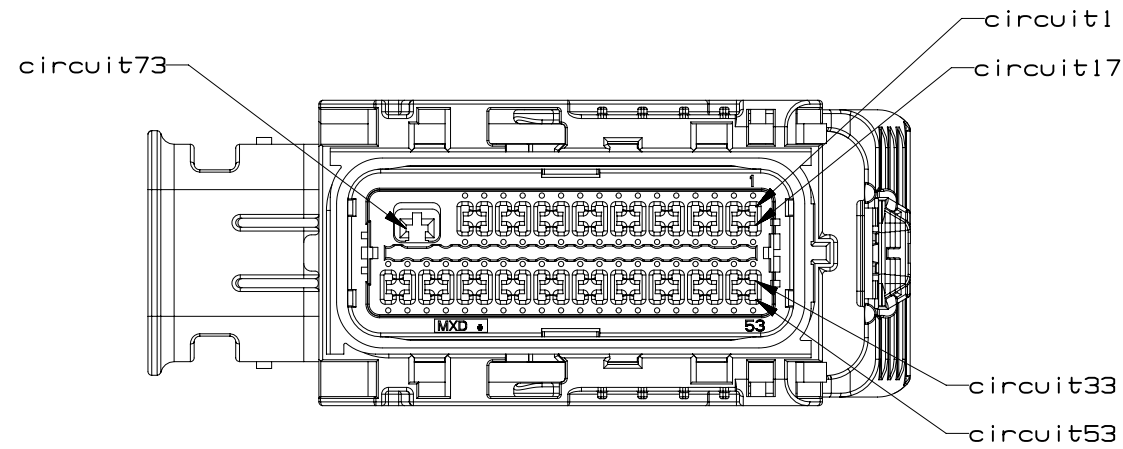


73 CKT HARNESS CONNECTOR ASSEMBLY  
WIRE DRESS OPTION 0

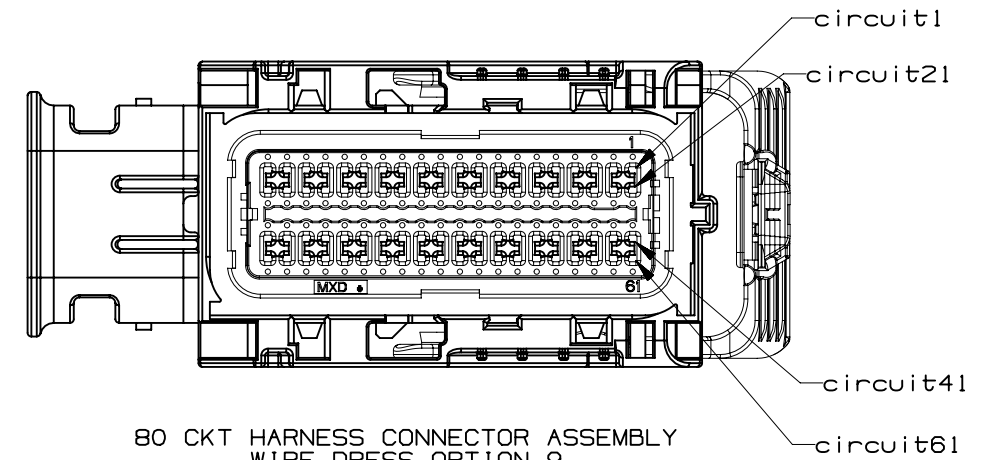


80 CKT HARNESS CONNECTOR ASSEMBLY  
WIRE DRESS OPTION 0

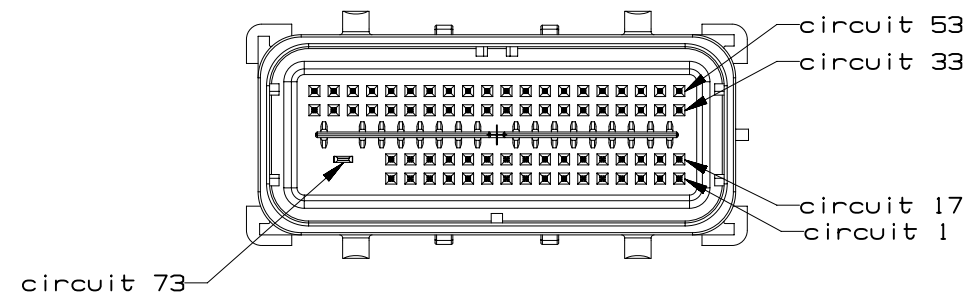
INTERFACE SIDE SHOWN ON ALL VIEWS



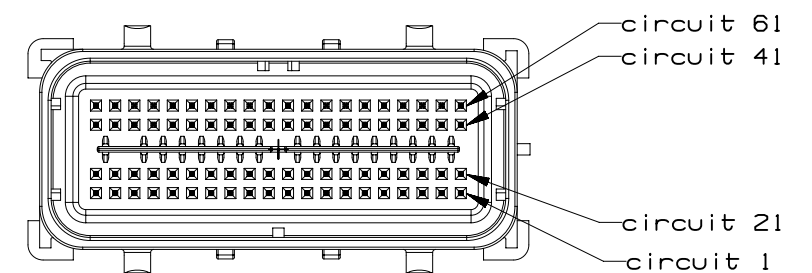
73 CKT HARNESS CONNECTOR ASSEMBLY  
WIRE DRESS OPTION 9



80 CKT HARNESS CONNECTOR ASSEMBLY  
WIRE DRESS OPTION 9

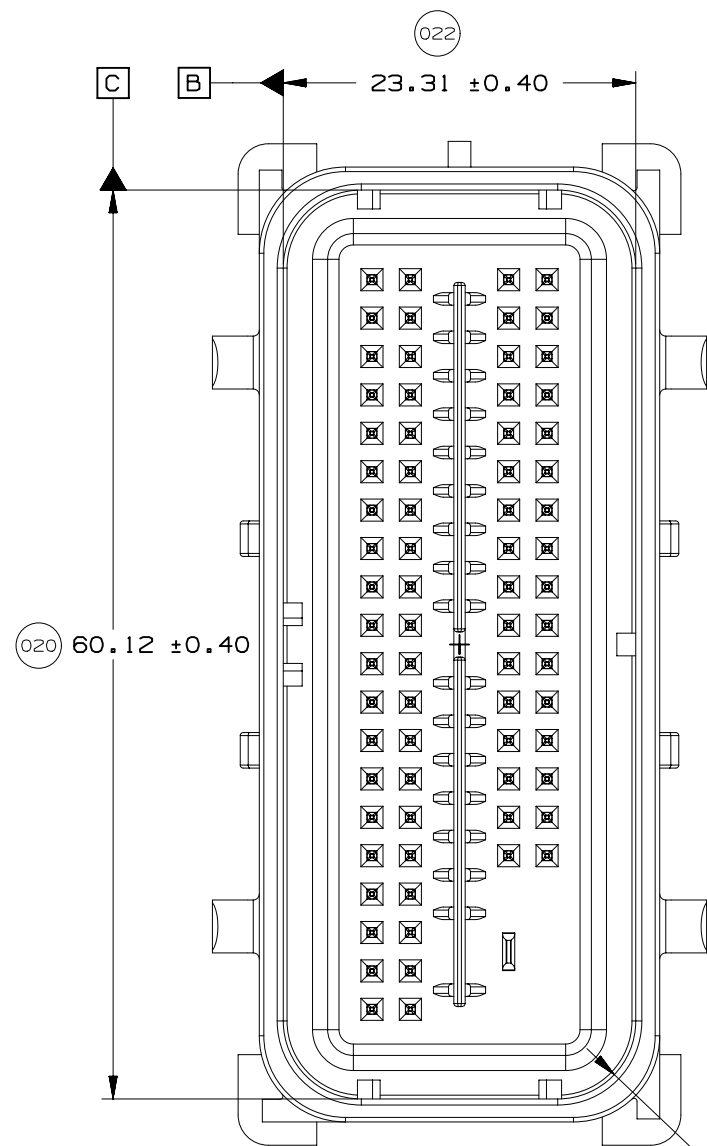
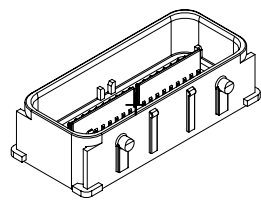


73 CKT COMPONENT CONNECTOR INTERFACE

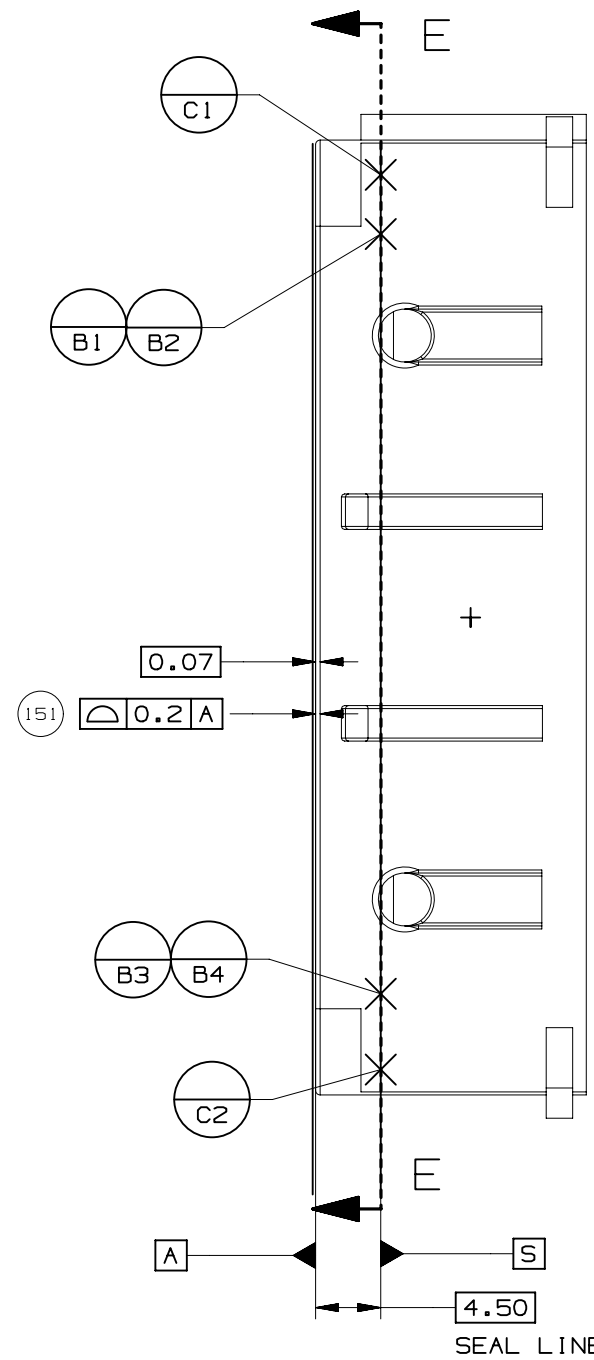


80 CKT COMPONENT CONNECTOR INTERFACE

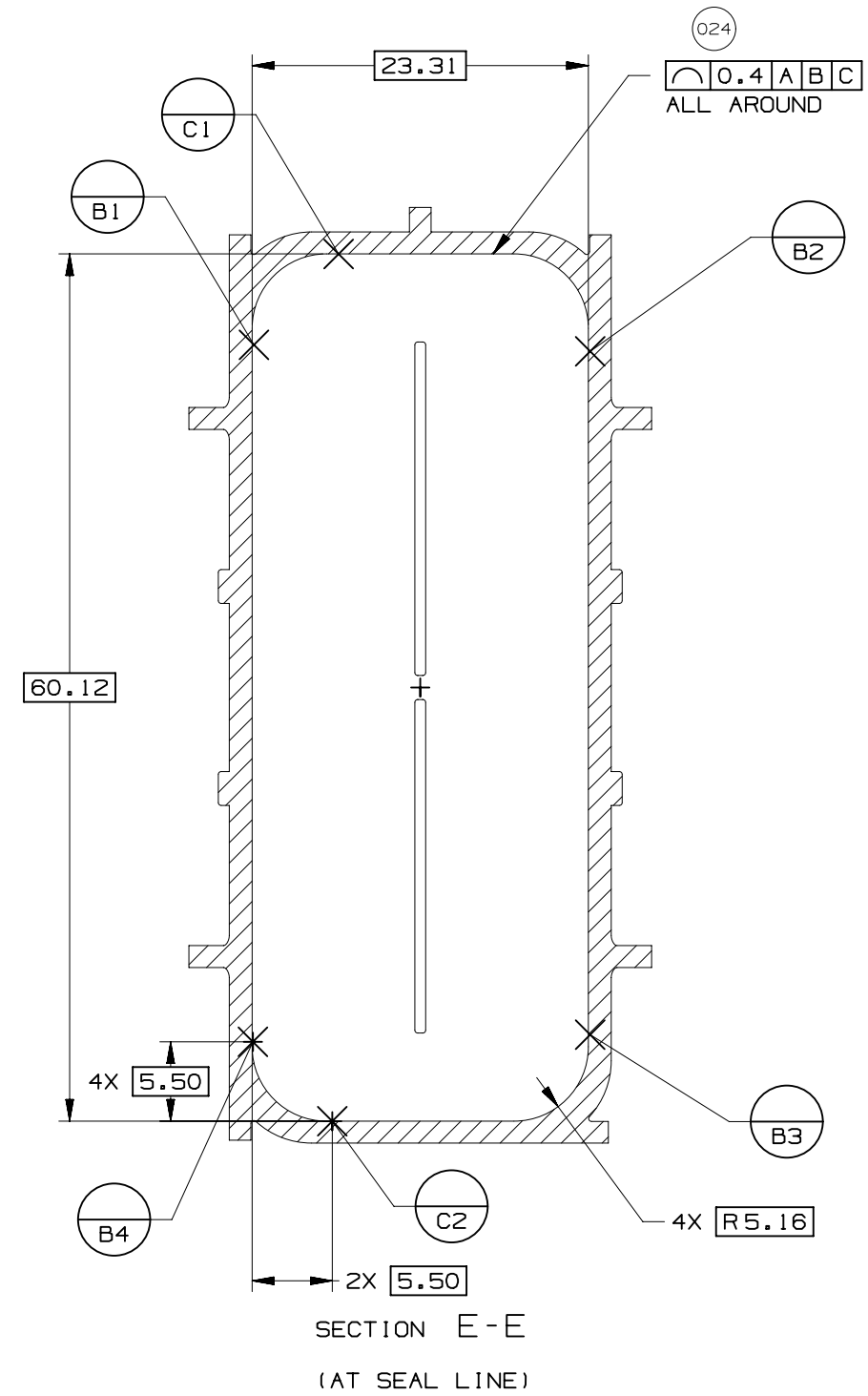




4X R5.16 ± 0.30



SEAL LINE



SECTION E-E  
(AT SEAL LINE)

UNLESS SPECIFIED, TOLERANCE OF THE COMPONENT CONNECTOR INTERFACE TO BE  $\sqrt[0.13]{A B C}$

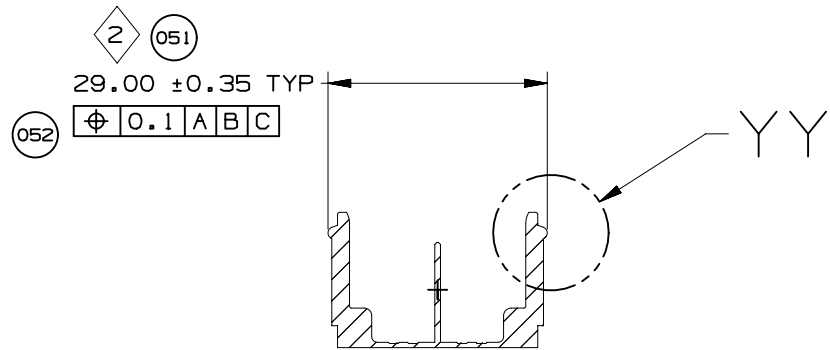
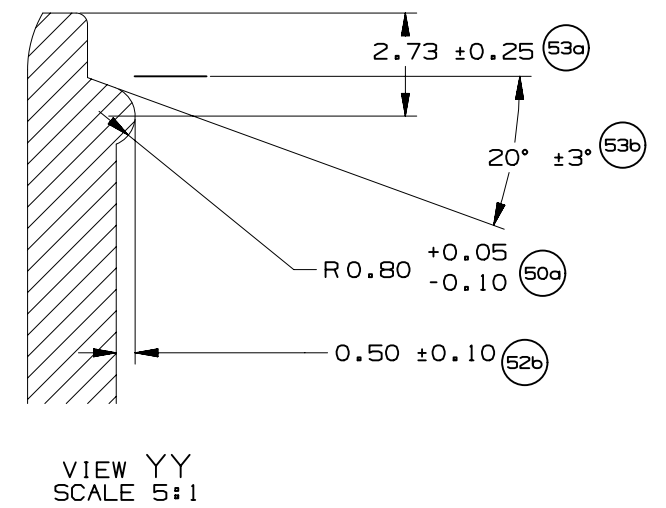
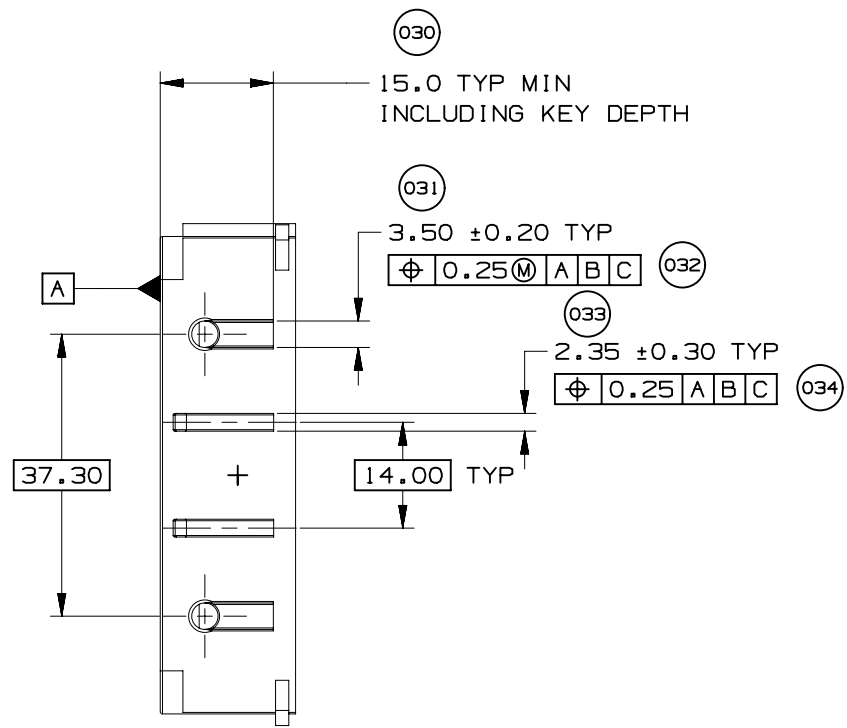
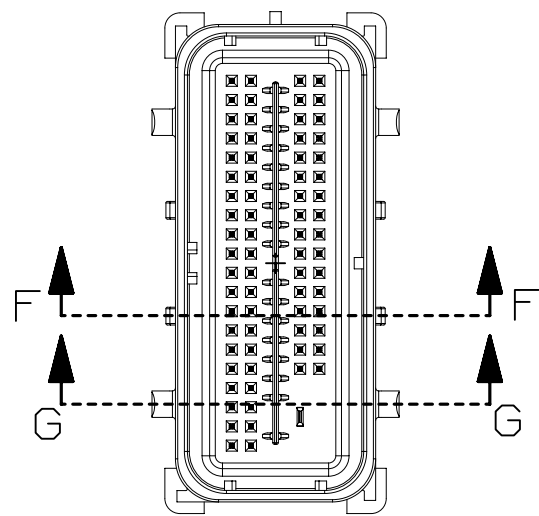


PAGE TITLE  
COMPONENT CONNECTOR INTERFACE

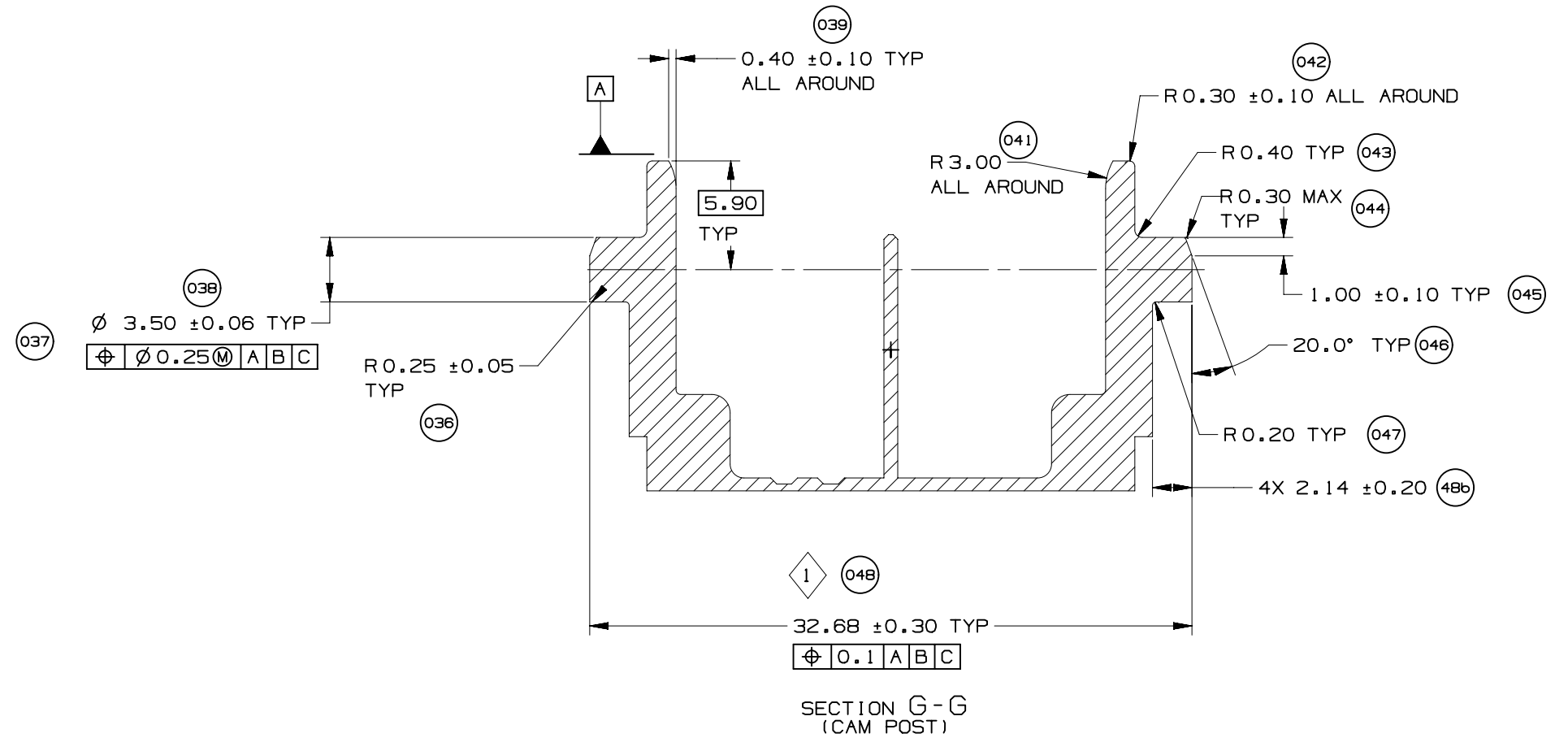
DRAWING NUMBER  
12672833

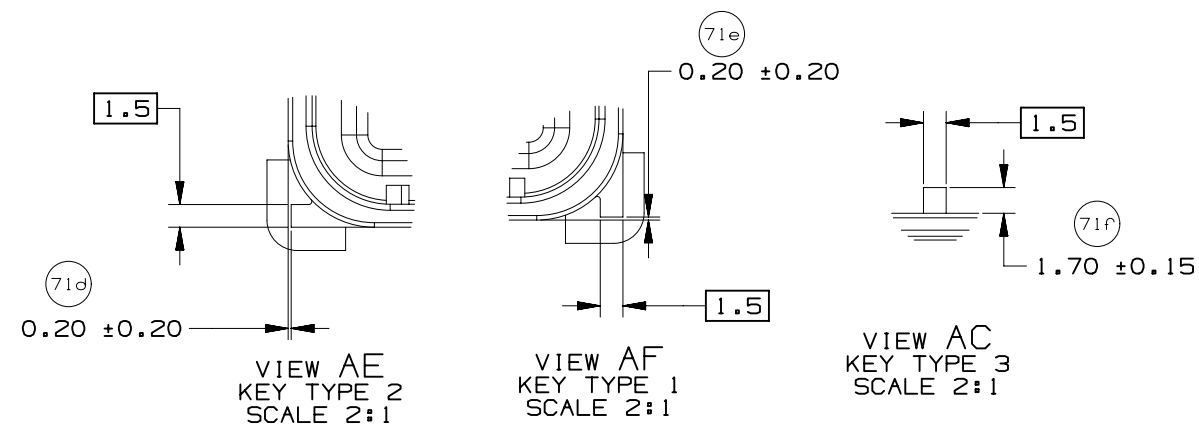
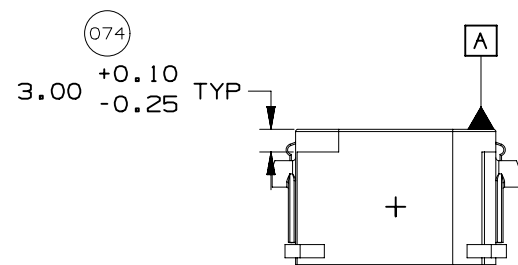
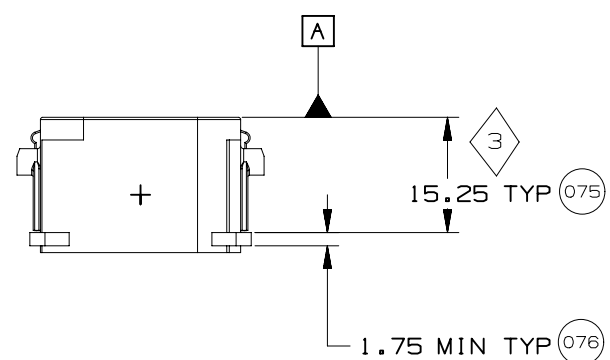
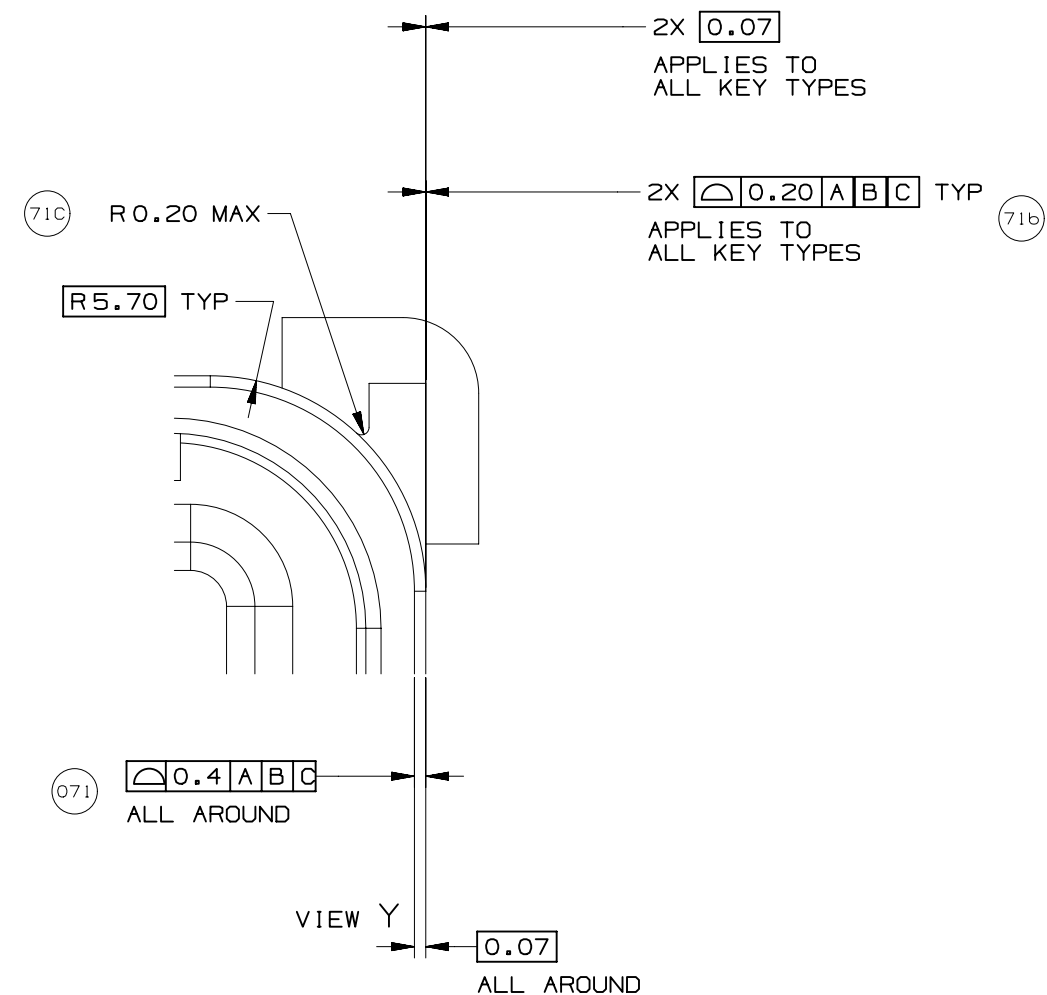
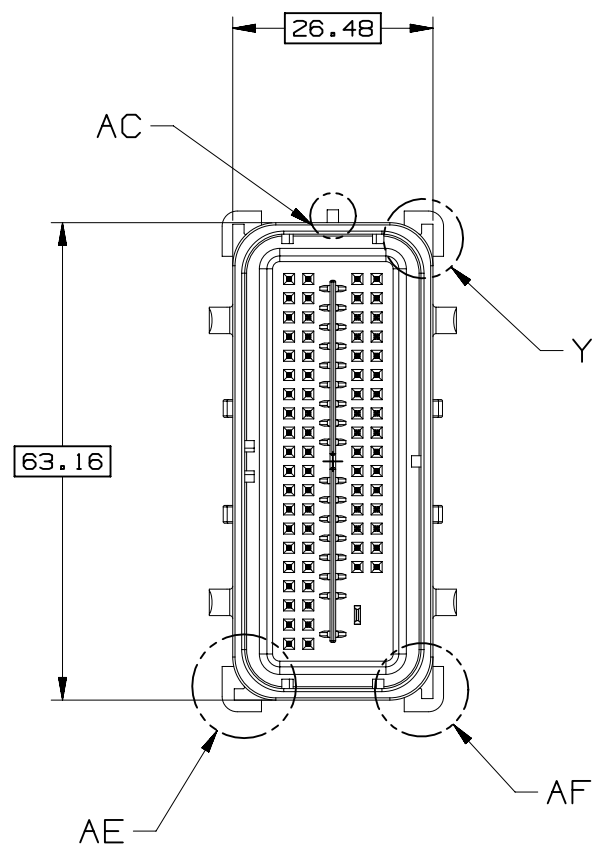
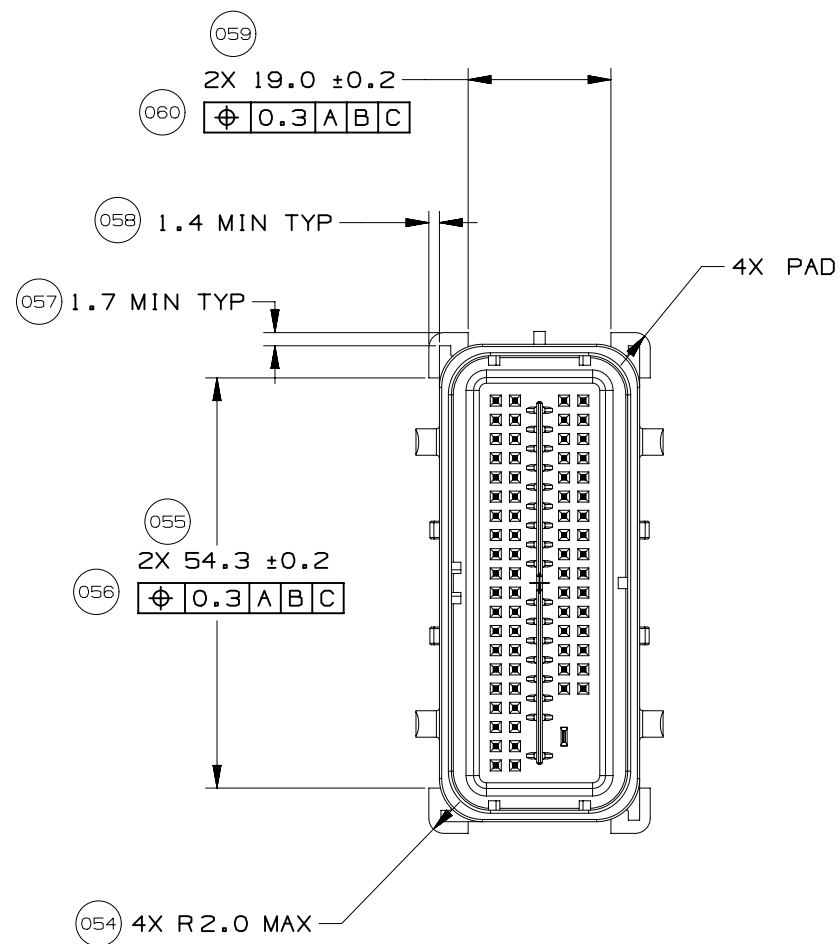
DWG STATUS		
ST	REV	PD1
R	001	

PAGE NUMBER  
15 OF 22



SECTION F-F  
(RELEASE FEATURE)

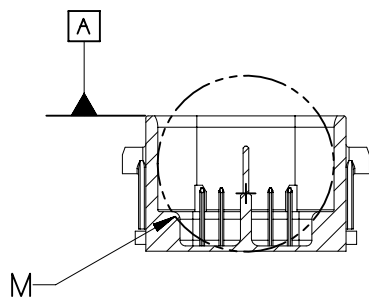
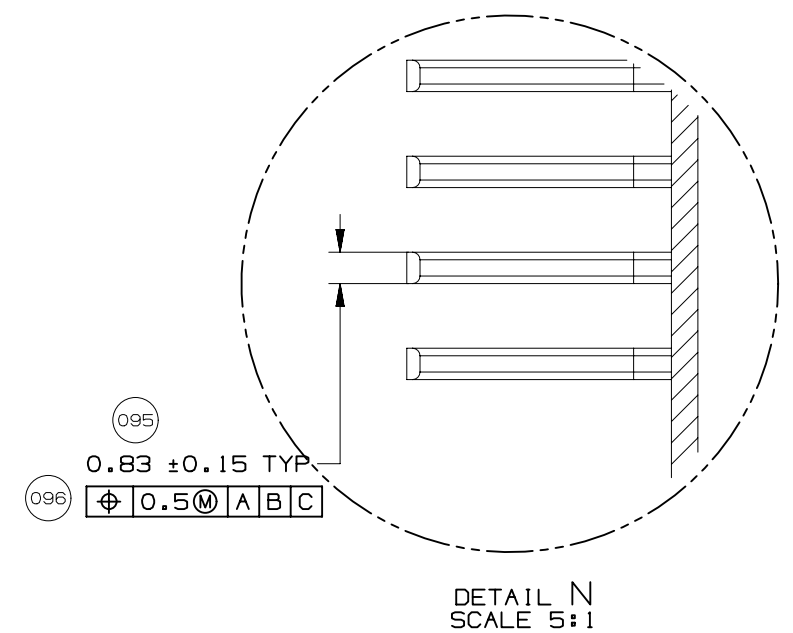
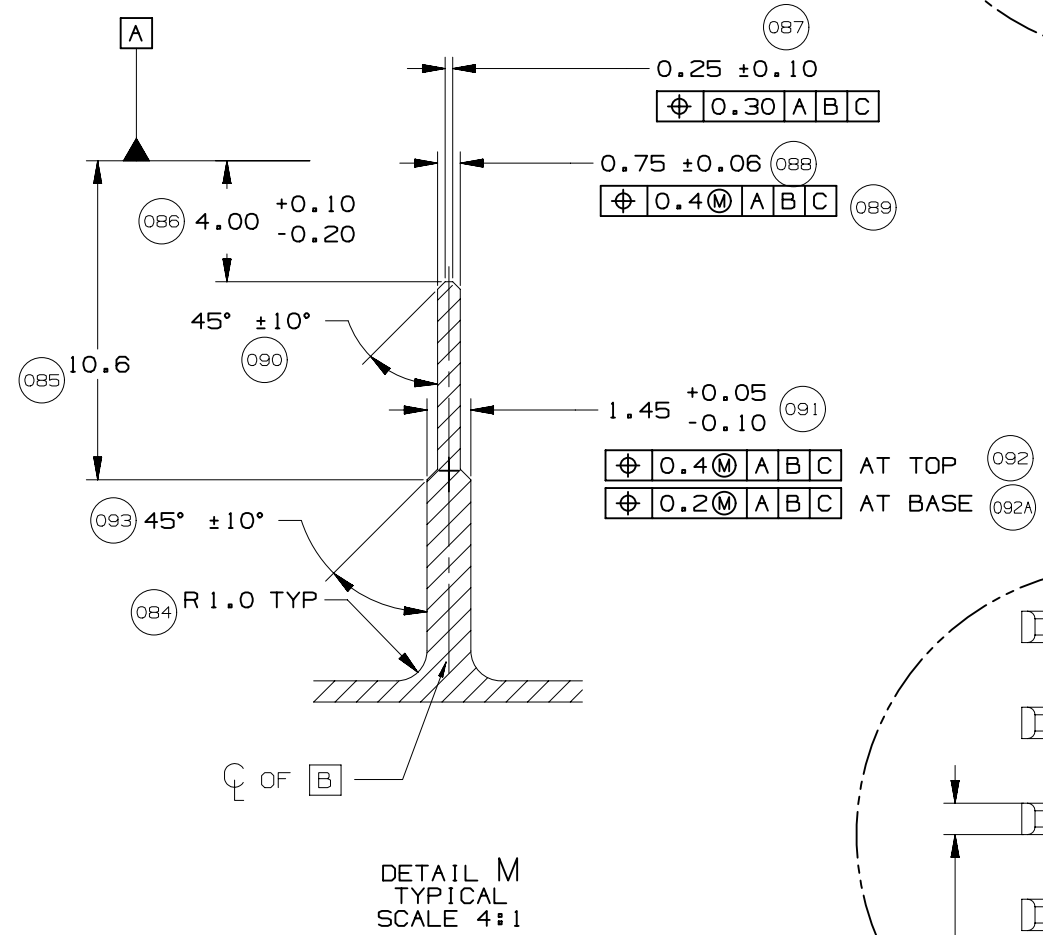
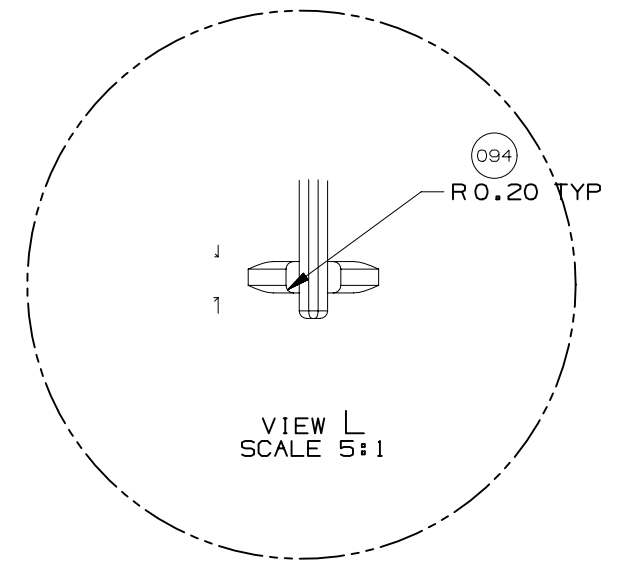
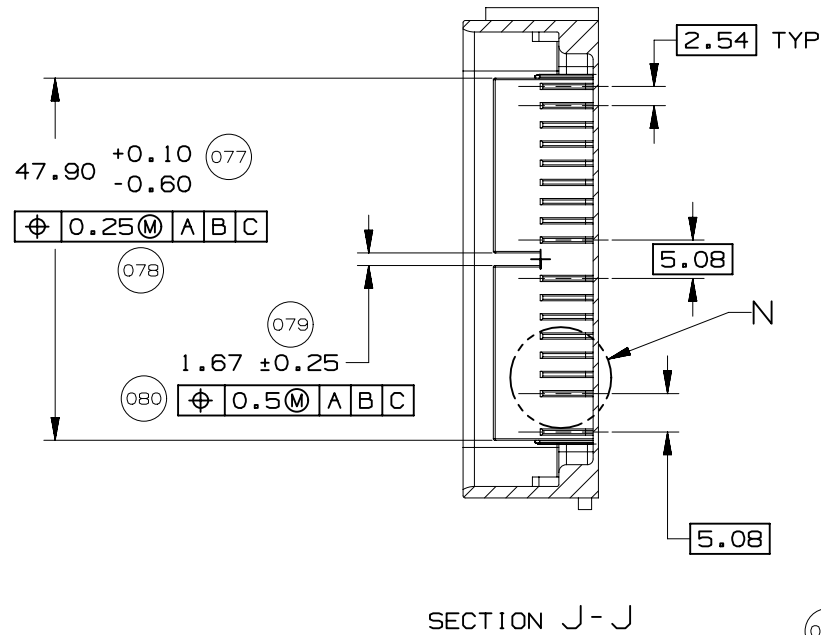
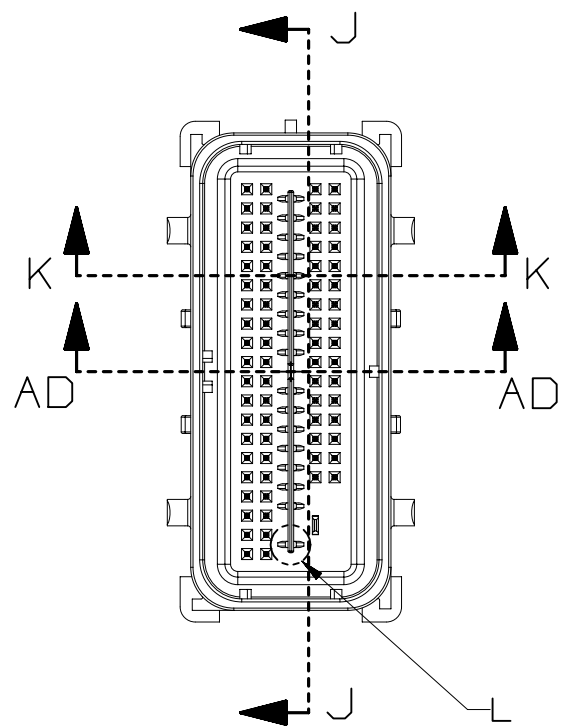




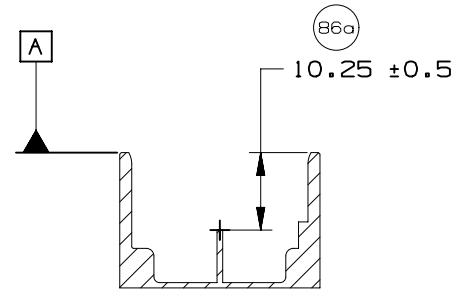
PAGE TITLE  
 COMPONENT CONNECTOR INTERFACE

DRAWING NUMBER  
 12672833

DWG STATUS			PAGE NUMBER
ST	REV	PD1	
R	001		17 OF 22

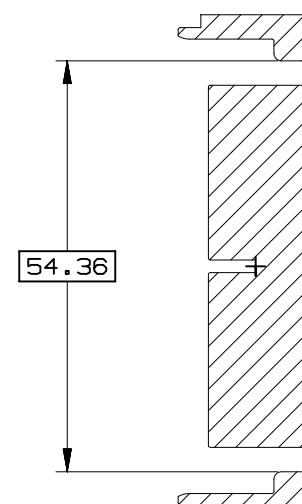
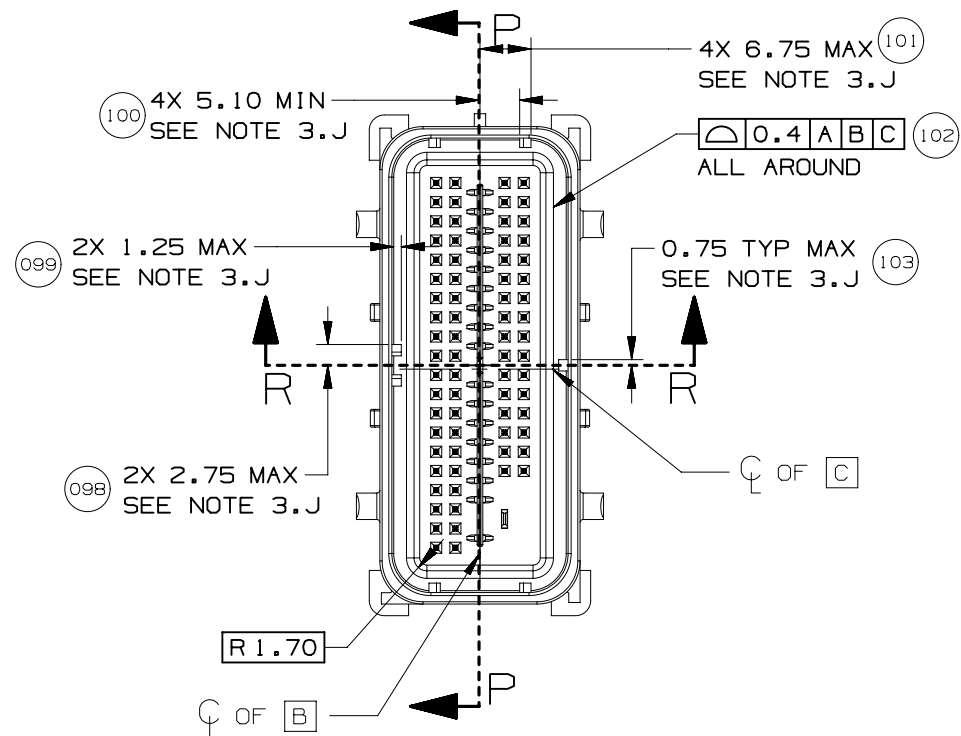


SECTION K-K

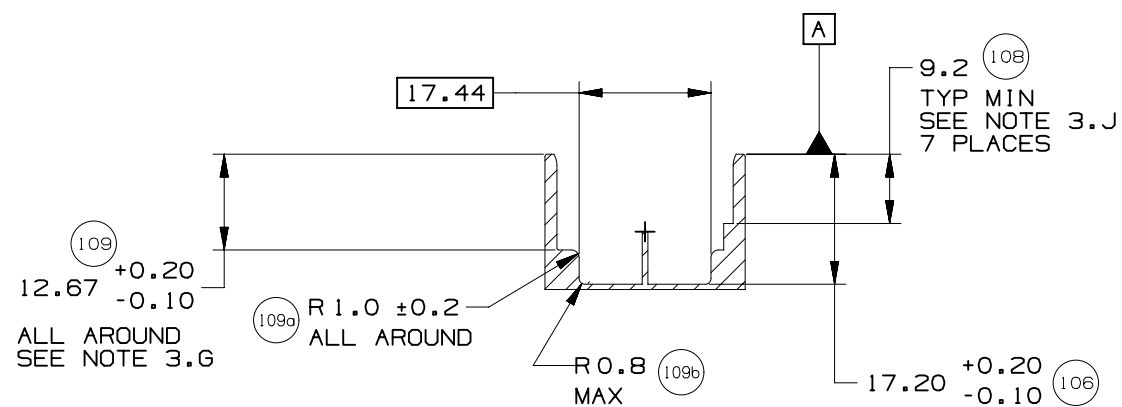


SECTION AD-AD





SECTION P-P



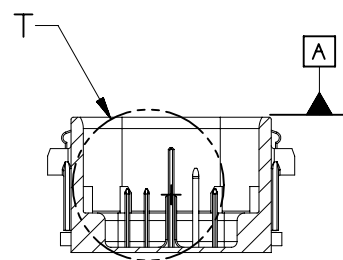
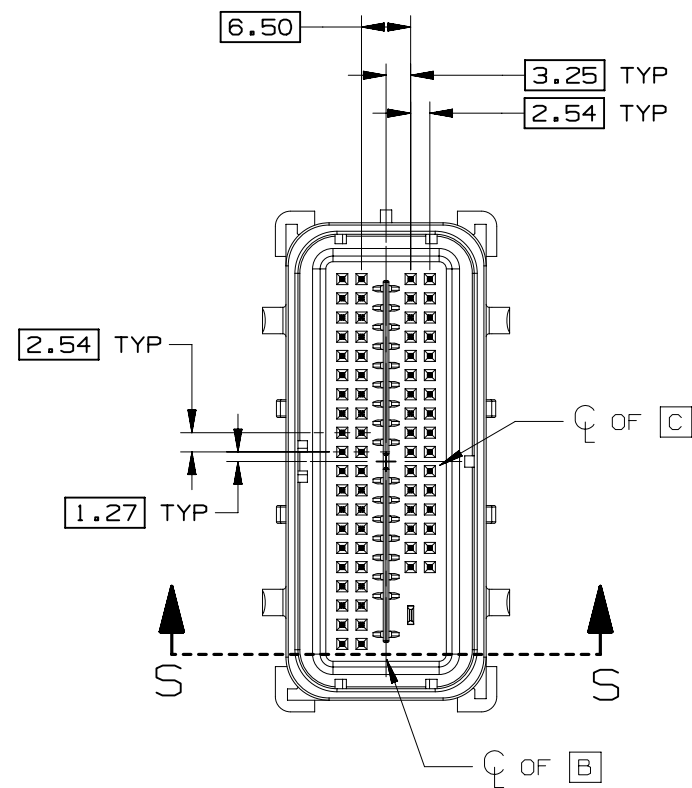
SECTION R-R



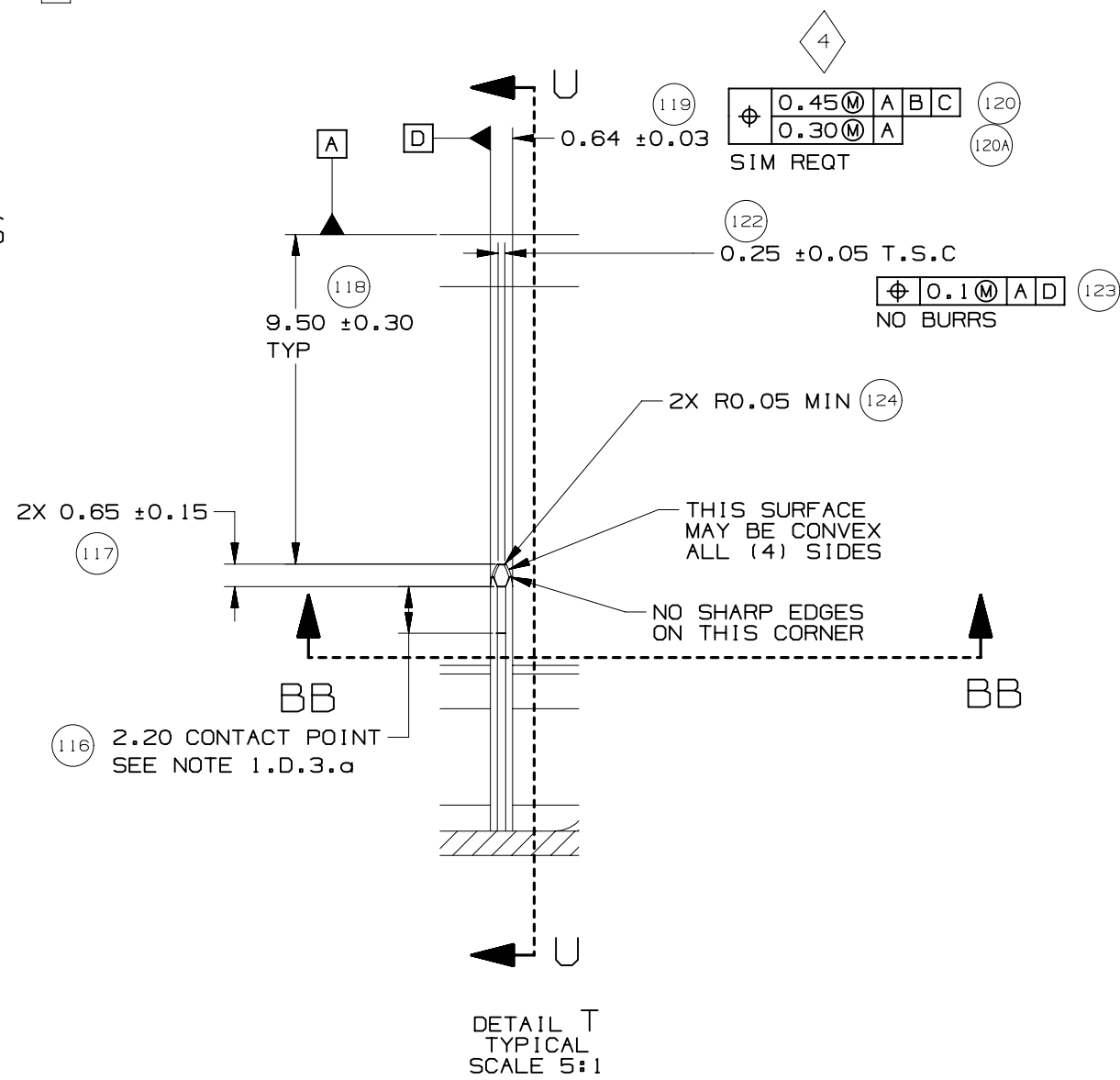
PAGE TITLE  
COMPONENT CONNECTOR INTERFACE

DRAWING NUMBER  
12672833

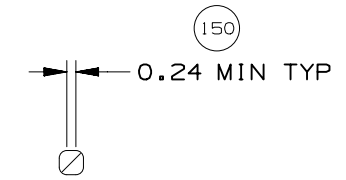
DWG STATUS			PAGE NUMBER	
ST	REV	PD1	19	OF 22
R	001			



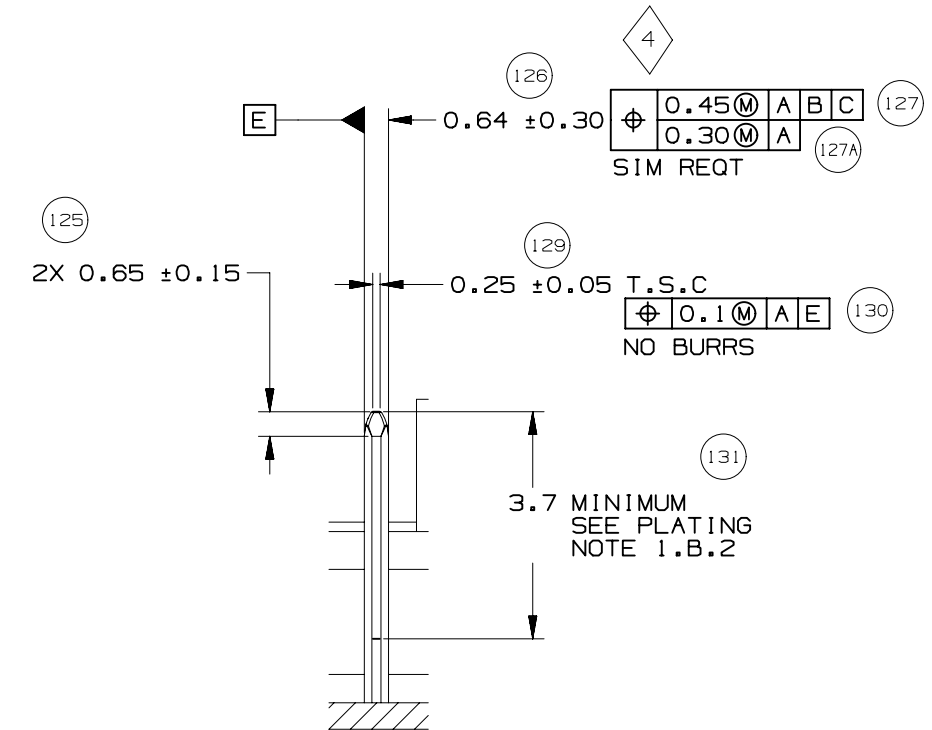
SECTION S-S



DETAIL T  
TYPICAL  
SCALE 5:1

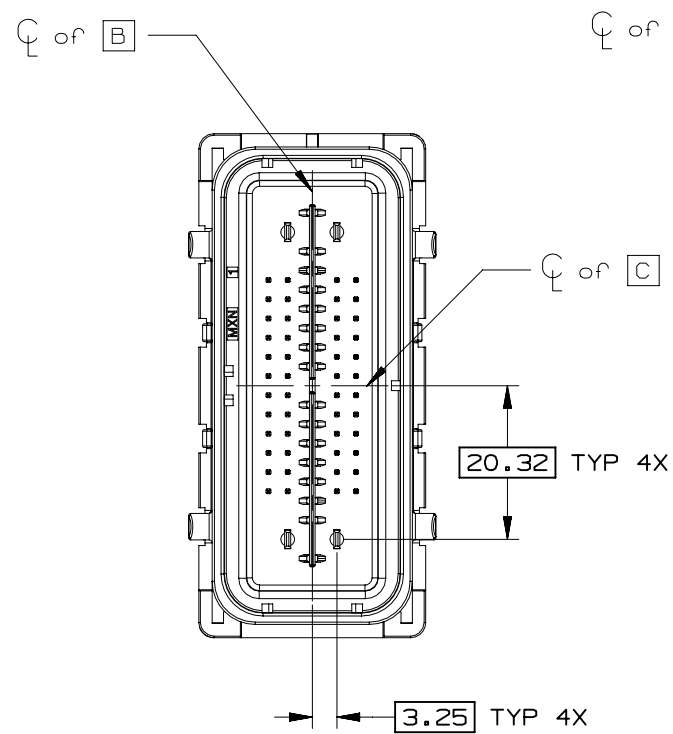


SECTION BB-BB

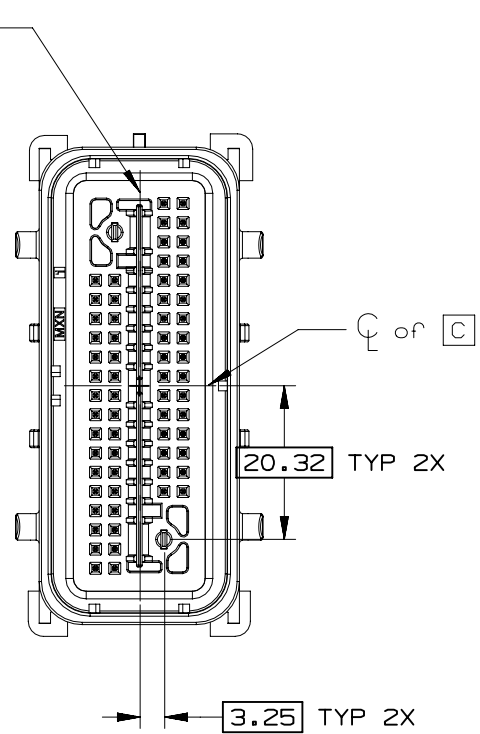


SECTION U-U  
TYPICAL

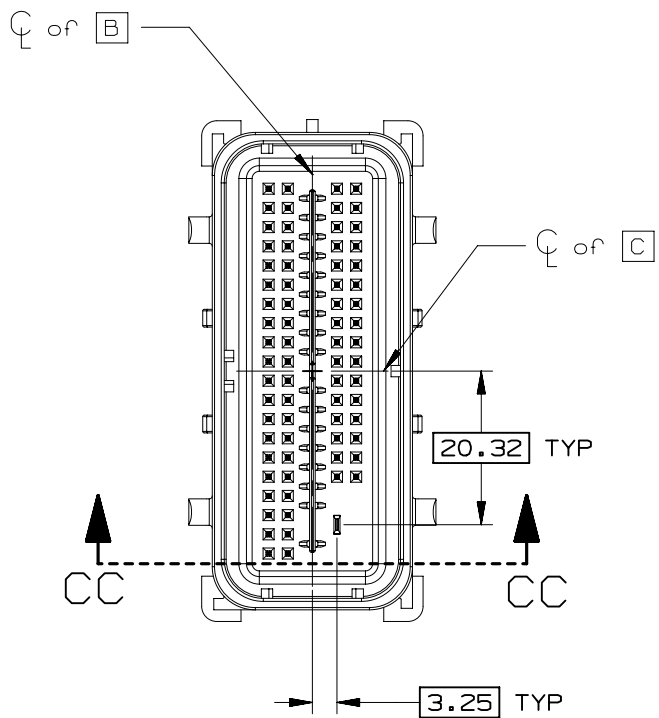




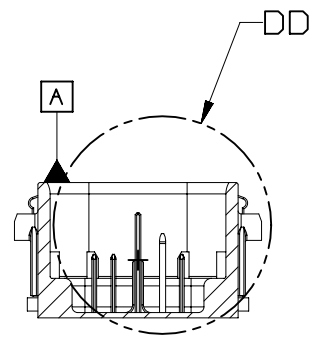
52 CKT COMPONENT  
CONNECTOR INTERFACE



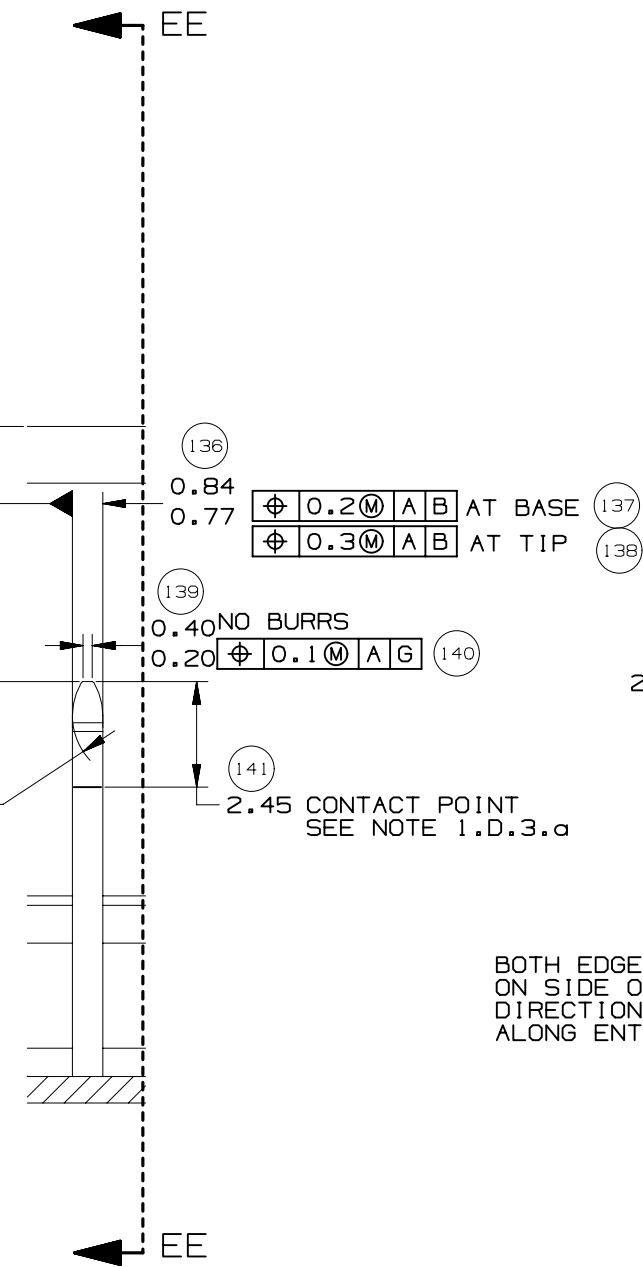
66 CKT COMPONENT  
CONNECTOR INTERFACE



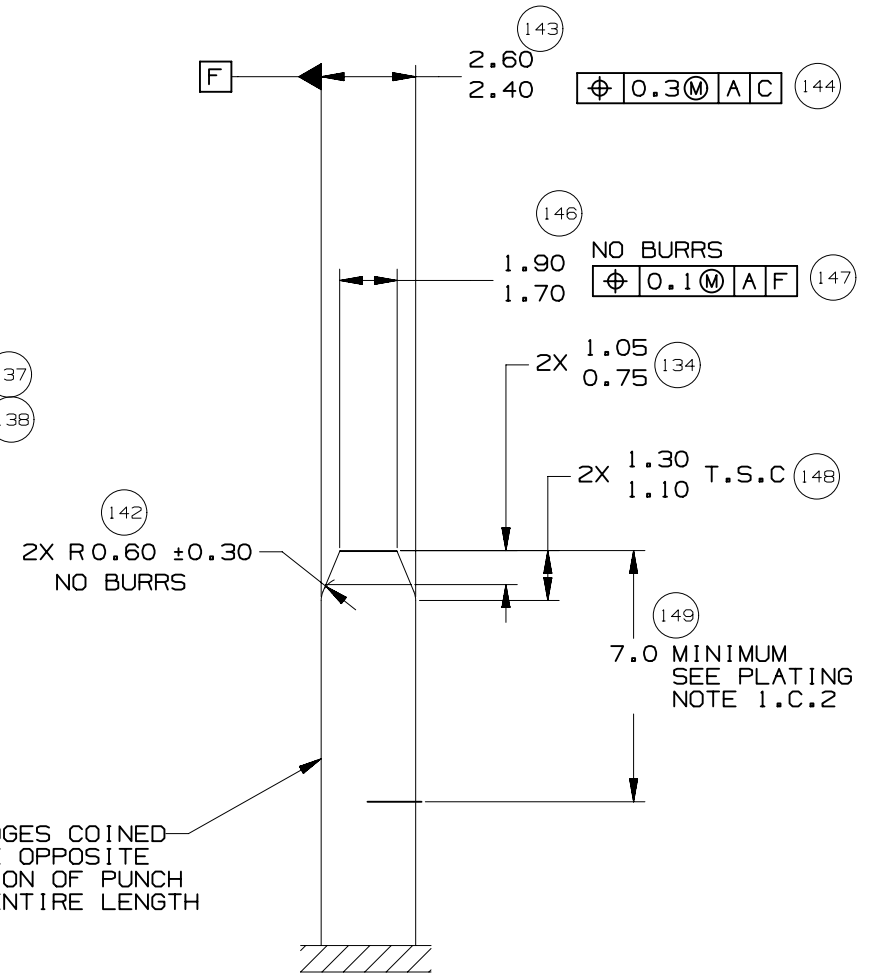
73 CKT COMPONENT  
CONNECTOR INTERFACE



SECTION CC-CC



DETAIL DD  
TYPICAL  
SCALE 5:1



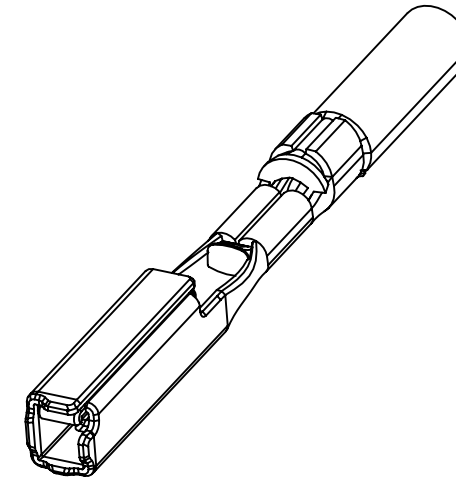
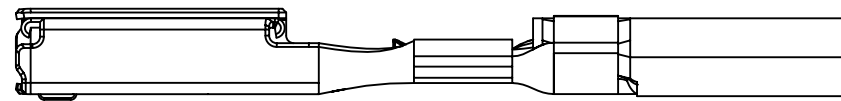
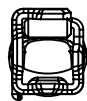
SECTION EE-EE  
TYPICAL





MOLEX MX64 RECEPTACLE TERMINAL INFORMATION

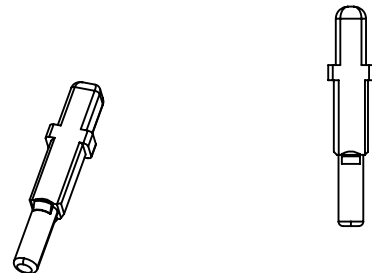
ITEM	MOLEX P/N	GM P/N	WIRE SIZE MM2	TYPE	PLATING	REEL WIND DIRECTION	COMMENTS
1	34736-0025		0.35	ISO	SILVER	LEFT	
2	34736-0026	12672850	0.35	ISO	SILVER	RIGHT	
3	34736-0027		0.5 / 0.75	ISO	SILVER	LEFT	
4	34736-0028	12672851	0.5 / 0.75	ISO	SILVER	RIGHT	



CAVITY PLUGS

ITEM	MFG	MFG P/N	GM P/N RD	SIZE	COLOR	MFG DRAWING	PROD SPEC	APP SPEC	COMMENTS
1	MOLEX	34586-0001	12674820	0.64	NATURAL	SD-34586-001	PS-34566-0000	AS-34566-001	
2	YAZAKI	7158-3114-90	12674821	2.8	BLUE	7158-3114-90	YPES-11-04-062	YPES-15-299	

ITEM 1



ITEM 2

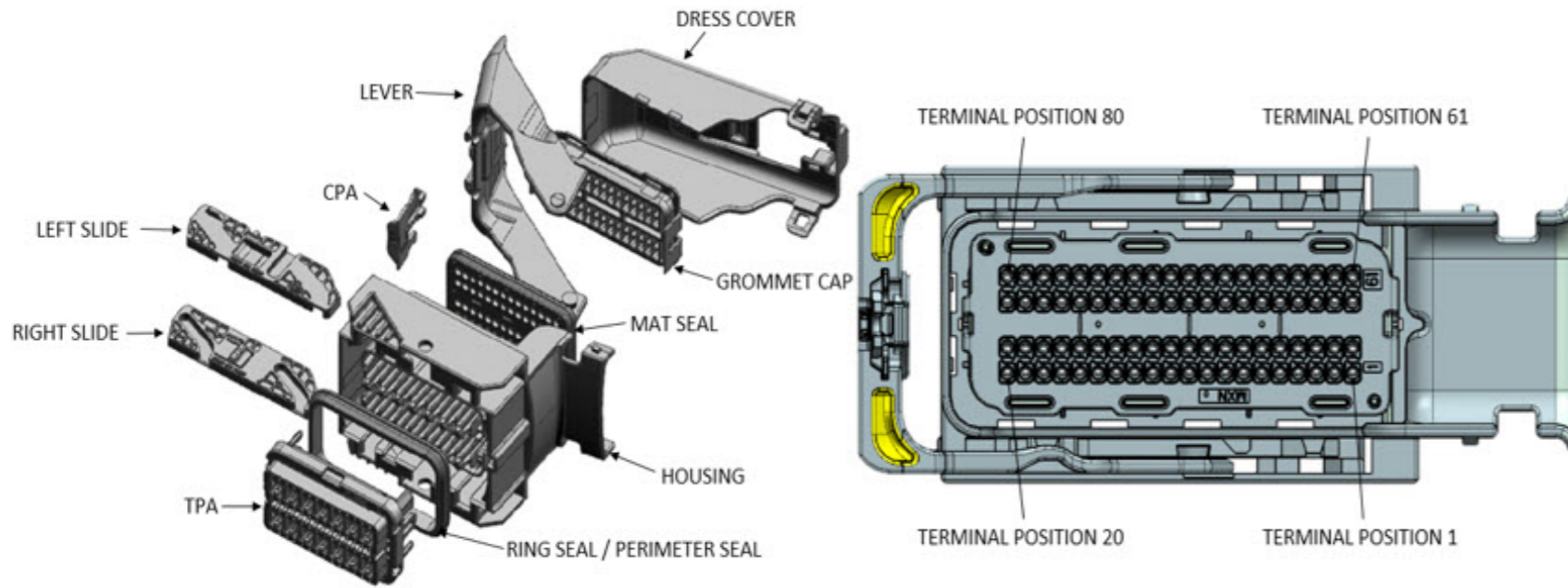


PAGE TITLE  
ADDITIONAL COMPONENTS REQUIRED

DRAWING NUMBER  
12672833

DWG STATUS		
ST	REV	PD1
R	001	

PAGE NUMBER  
22 OF 22



ABBREVIATION	DESCRIPTION	COLOR	MATERIAL
G-CAP-0-P	GROMMET CAP OPTION 0 PLUGGED	BLACK	SPS/PA, G.F 30%
G-CAP-0-O	GROMMET CAP OPTION 0 ALL OPEN	BLACK	SPS/PA, G.F 30%
G-CAP-9-P	GROMMET CAP OPTION 9 PLUGGED	BLACK	SPS/PA, G.F 30%
G-CAP-9-O	GROMMET CAP OPTION 9 ALL OPEN	BLACK	SPS/PA, G.F 30%
C-HSG-G0	CONNECTOR HOUSING KEY G- WDC OPT 0	BLACK	SPS/PA, G.F 30%
C-HSG-H0	CONNECTOR HOUSING KEY H- WDC OPT 0	BLACK	SPS/PA, G.F 30%
C-HSG-J0	CONNECTOR HOUSING KEY J- WDC OPT 0	BLACK	SPS/PA, G.F 30%
C-HSG-K0	CONNECTOR HOUSING KEY K - WDC OPT 0	BLACK	SPS/PA, G.F 30%
C-HSG-L0	CONNECTOR HOUSING KEY L - WDC OPT 0	BLACK	SPS/PA, G.F 30%
C-HSG-M0	CONNECTOR HOUSING KEY M- WDC OPT 0	BLACK	SPS/PA, G.F 30%
C-HSG-G9	CONNECTOR HOUSING KEY G- WDC OPT 9	BLACK	SPS/PA, G.F 30%
C-HSG-H9	CONNECTOR HOUSING KEY H- WDC OPT 9	BLACK	SPS/PA, G.F 30%
C-HSG-J9	CONNECTOR HOUSING KEY J- WDC OPT 9	BLACK	SPS/PA, G.F 30%
C-HSG-K9	CONNECTOR HOUSING KEY K- WDC OPT 9	BLACK	SPS/PA, G.F 30%
C-HSG-L9	CONNECTOR HOUSING KEY L- WDC OPT 9	BLACK	SPS/PA, G.F 30%
C-HSG-M9	CONNECTOR HOUSING KEY M- WDC OPT 9	BLACK	SPS/PA, G.F 30%
TPA-G0	TERMINAL POSITION ASSURANCE (TPA) OPTION 0	BLUE	SPS/PA, G.F 30%
TPA-H0	TERMINAL POSITION ASSURANCE (TPA) OPTION 0	STONE GRAY	SPS/PA, G.F 30%
TPA-J0	TERMINAL POSITION ASSURANCE (TPA) OPTION 0	BLACK	SPS/PA, G.F 30%
TPA-K0	TERMINAL POSITION ASSURANCE (TPA) OPTION 0	BROWN	SPS/PA, G.F 30%
TPA-L0	TERMINAL POSITION ASSURANCE (TPA) OPTION 0	GREEN	SPS/PA, G.F 30%
TPA-M0	TERMINAL POSITION ASSURANCE (TPA) OPTION 0	NATURAL	SPS/PA, G.F 30%
TPA-G9	TERMINAL POSITION ASSURANCE (TPA) OPTION 9	BLUE	SPS/PA, G.F 30%
TPA-H9	TERMINAL POSITION ASSURANCE (TPA) OPTION 9	STONE GRAY	SPS/PA, G.F 30%
TPA-J9	TERMINAL POSITION ASSURANCE (TPA) OPTION 9	BLACK	SPS/PA, G.F 30%
TPA-K9	TERMINAL POSITION ASSURANCE (TPA) OPTION 9	BROWN	SPS/PA, G.F 30%
TPA-L9	TERMINAL POSITION ASSURANCE (TPA) OPTION 9	GREEN	SPS/PA, G.F 30%
TPA-M9	TERMINAL POSITION ASSURANCE (TPA) OPTION 9	NATURAL	SPS/PA, G.F 30%
MAL	MATE ASSIST LEVER	BLACK	SPS/NYLON GF30
RS	SLIDE - RIGHT	BLACK	PBT W/PTFE, G.F. 30%
LS	SLIDE - LEFT	BLACK	PBT W/PTFE, G.F. 30%
CVR BLACK	DRESS COVER BLACK	BLACK	PBT, G.F. 30%
CVR GRAY	DRESS COVER GRAY	GRAY	PBT, G.F. 30%
CVR BLUE	DRESS COVER BLUE	BLUE	PBT, G.F. 30%
CVR BROWN	DRESS COVER BROWN	BROWN	PBT, G.F. 30%
CVR GREEN	DRESS COVER GREEN	GREEN	PBT, G.F. 30%
CVR NATURAL	DRESS COVER NATURAL	NATURAL	PBT, G.F. 30%
CVR YELLOW	DRESS COVER YELLOW	YELLOW	PBT, G.F. 30%
CPA	CONNECTOR POSITION ASSURANCE (CPA)	RED	PPE/PA 10% GF
MSEAL	MAT SEAL	RUST RED	INHERENTLY LUBRICATED SILICONE RUBBER
RSEAL	RING SEAL	RUST RED	INHERENTLY LUBRICATED SILICONE RUBBER

FOR ADDITIONAL INFORMATION SEE SD-34566-001

ASSEMBLY DESCRIPTION	ASSEMBLY PART NUMBER	CONNECTOR HOUSING	GROMMET CAP	TPA	RIGHT SLIDE	LEFT SLIDE	MATE ASSIST LEVER	CPA	MAT SEAL	RING SEAL	BLOCKED TERMINALS																				STATUS	COMMENTS	INTEGRAL COMPONENTS SOLD SEPARATELY DRESS COVER
											CAVITY WITH A NUMBER INDICATES BLOCKED TERMINAL POSITION CAVITY WITHOUT A NUMBER INDICATES OPEN TERMINAL POSITION																						
											80	79	78	77	76	75	74	73	72	71	70	69	68	67	66	65	64	63	62	61			
MX123 CONN ASSY 80 CKT BLU OPT0 KEY G/40	345660014	C-HSG-G0	G-CAP-0-P	TPA-G0	RS	LS	MAL	CPA	MSEAL	RSEAL	-	-	-	-	76	-	74	73	72	71	70	69	68	67	-	-	-	63	-	61	SALEABLE		345650003
MX123 CONN ASSY 80 CKT BLU OPT0 KEY G/0	345660024	C-HSG-G0	G-CAP-0-P	TPA-G0	RS	LS	MAL	CPA	MSEAL	RSEAL	80	79	78	77	76	75	74	73	72	71	70	69	68	67	66	65	64	63	62	61	SALEABLE		345650003
MX123 CONN ASSY 80 CKT BLU OPT0 KEY G/39	345660034	C-HSG-G0	G-CAP-0-P	TPA-G0	RS	LS	MAL	CPA	MSEAL	RSEAL	-	-	-	77	76	-	74	73	72	71	70	69	68	67	-	-	-	63	-	61	SALEABLE		345650003
MX123 CONN ASSY 80 CKT BLU OPT0 KEY G/39	345660054	C-HSG-G0	G-CAP-0-P	TPA-G0	RS	LS	MAL	CPA	MSEAL	RSEAL	-	-	-	-	76	-	74	73	72	71	70	69	68	67	-	-	-	63	-	61	SALEABLE		345650003

ASSEMBLY DESCRIPTION	ASSEMBLY PART NUMBER	CONNECTOR HOUSING	GROMMET CAP	TPA	RIGHT SLIDE	LEFT SLIDE	MATE ASSIST LEVER	CPA	MAT SEAL	RING SEAL	BLOCKED TERMINALS																				STATUS	COMMENTS	INTEGRAL COMPONENTS SOLD SEPARATELY DRESS COVER
											CAVITY WITH A NUMBER INDICATES BLOCKED TERMINAL POSITION CAVITY WITHOUT A NUMBER INDICATES OPEN TERMINAL POSITION																						
											-	-	-	-	76	-	74	73	72	71	70	69	68	67	-	-	-	63	-	61			
MX123 CONN ASSY 80 CKT BLU OPT0 KEY G/42	345660164	C-HSG-G0	G-CAP-0-P	TPA-G0	RS	LS	MAL	CPA	MSEAL	RSEAL	60	-	58	-	56	55	54	-	52	51	50	49	48	47	-	45	-	-	-	-	SALEABLE		345650003
MX123 CONN ASSY 80 CKT GRY OPT0 KEY H/5	345660414	C-HSG-H0	G-CAP-0-P	TPA-H0	RS	LS	MAL	CPA	MSEAL	RSEAL	80	79	78	77	76	75	74	73	72	71	70	69	68	67	66	65	64	63	62	61	SALEABLE		345650003
MX123 CONN ASSY 80 CKT GRY OPT0 KEY H/45	345660424	C-HSG-H0	G-CAP-0-P	TPA-H0	RS	LS	MAL	CPA	MSEAL	RSEAL	80	79	78	77	76	-	-	-	-	71	70	-	-	67	66	-	-	63	-	-	SALEABLE		345650003
MX123 CONN ASSY 80 CKT BLU OPT0 KEY G/10	345660434	C-HSG-G0	G-CAP-0-P	TPA-G0	RS	LS	MAL	CPA	MSEAL	RSEAL	80	79	78	77	76	75	74	73	72	71	70	69	68	67	66	65	64	-	62	-	SALEABLE		345650003
MX123 CONN ASSY 80 CKT BLU OPT0 KEY G/53	345660444	C-HSG-G0	G-CAP-0-P	TPA-G0	RS	LS	MAL	CPA	MSEAL	RSEAL	-	-	-	-	76	-	-	73	-	71	-	-	-	-	-	64	-	-	-	SALEABLE		345650003	
MX123 CONN ASSY 80 CKT GRY OPT9 KEY H/7	345660454	C-HSG-H9	G-CAP-9-P	TPA-H9	RS	LS	MAL	CPA	MSEAL	RSEAL	80	79	78	77	76	75	74	73	72	71	70	69	68	67	66	65	64	63	62	61	SALEABLE		345650003
MX123 CONN ASSY 80 CKT GRY OPT0 KEY H/62	345660464	C-HSG-H0	G-CAP-0-P	TPA-H0	RS	LS	MAL	CPA	MSEAL	RSEAL	-	-	58	57	56	-	-	-	-	-	-	-	-	-	-	-	-	-	-	-	SALEABLE		345650003
MX123 CONN ASSY 80 CKT BLU OPT9 KEY G/54	345660474	C-HSG-G9	G-CAP-9-P	TPA-G9	RS	LS	MAL	CPA	MSEAL	RSEAL	-	-	58	57	-	55	-	-	-	-	-	49	48	47	46	-	-	-	-	41	SALEABLE		345650003
MX123 CONN ASSY 80 CKT BLU OPT0 KEY G/44	345660494	C-HSG-G0	G-CAP-0-P	TPA-G0	RS	LS	MAL	CPA	MSEAL	RSEAL	-	-	-	-	76	-	74	73	72	71	70	69	68	67	-	-	-	63	-	61	SALEABLE		345650003
MX123 CONN ASSY 80 CKT BLU OPT0 KEY G/43	345660504	C-HSG-G0	G-CAP-0-P	TPA-G0	RS	LS	MAL	CPA	MSEAL	RSEAL	-	-	58	-	56	55	54	53	52	51	50	49	48	47	-	45	-	-	-	SALEABLE		345650003	
MX123 CONN ASSY 80 CKT GRY OPT0 KEY H/7	345660554	C-HSG-H0	G-CAP-0-P	TPA-H0	RS	LS	MAL	CPA	MSEAL	RSEAL	80	79	78	77	76	75	74	73	72	71	70	69	68	67	66	65	64	63	62	61	SALEABLE		345650003
MX123 CONN ASSY 80 CKT GRY OPT0 KEY H/39	345660564	C-HSG-H0	G-CAP-0-P	TPA-H0	RS	LS	MAL	CPA	MSEAL	RSEAL	80	79	-	-	-	-	-	-	-	-	-	-	-	-	66	-	64	-	-	SALEABLE		345650003	

ASSEMBLY DESCRIPTION	ASSEMBLY PART NUMBER	CONNECTOR HOUSING	GROMMET CAP	TPA	RIGHT SLIDE	LEFT SLIDE	MATE ASSIST LEVER	CPA	MAT SEAL	RING SEAL	BLOCKED TERMINALS																				STATUS	COMMENTS	INTEGRAL COMPONENTS SOLD SEPARATELY DRESS COVER
											CAVITY WITH A NUMBER INDICATES BLOCKED TERMINAL POSITION CAVITY WITHOUT A NUMBER INDICATES OPEN TERMINAL POSITION																						
											-	-	-	-	-	-	-	-	-	74	73	72	71	-	69	-	-	-	-	64			
MX123 CONN ASSY 80 CKT BLU OPT0 KEY G/43	345660574	C-HSG-G0	G-CAP-0-P	TPA-G0	RS	LS	MAL	CPA	MSEAL	RSEAL	-	-	-	-	-	-	-	-	-	-	-	-	-	49	48	47	46	45	-	43	42	41	
											20	19	-	-	16	15	-	-	12	11	-	-	8	7	-	-	4	-	2	-	-		
MX123 CONN ASSY 80 CKT BLU OPT9 KEY G/69	345660584	C-HSG-G9	G-CAP-9-P	TPA-G9	RS	LS	MAL	CPA	MSEAL	RSEAL	-	-	-	-	-	-	-	-	-	-	-	-	-	-	-	-	-	-	64	-	-	-	
											-	-	-	57	-	-	-	-	-	-	-	-	-	-	49	-	47	46	-	-	-	41	
											-	39	-	-	-	-	-	-	-	-	-	-	-	-	29	-	-	-	-	-	-	22	-
											-	19	-	-	-	-	-	-	13	-	-	-	-	-	-	-	-	-	-	-	-	-	-
MX123 CONN ASSY 80 CKT GRY OPT9 KEY H/50	345660594	C-HSG-H9	G-CAP-9-P	TPA-H9	RS	LS	MAL	CPA	MSEAL	RSEAL	80	79	78	77	76	-	-	-	-	71	70	-	-	-	66	-	-	63	-	-	-		
											60	-	58	57	-	-	54	-	51	-	-	-	-	-	-	-	-	-	42	-	-		
											-	39	38	37	36	35	-	33	-	31	-	-	-	-	-	-	-	-	-	-	-	-	
											20	19	-	-	16	-	-	-	-	-	-	-	-	9	-	7	6	-	4	3	-	-	
MX123 CONN ASSY 80 CKT BLU OPT9 KEY G/58	345660614	C-HSG-G9	G-CAP-9-P	TPA-G9	RS	LS	MAL	CPA	MSEAL	RSEAL	-	-	-	-	76	-	-	73	-	71	-	69	-	-	66	-	64	-	-	-			
											-	-	58	57	-	55	-	-	-	-	-	49	48	47	46	-	-	-	-	41			
											-	39	-	-	-	-	-	-	-	-	-	30	29	-	-	-	-	24	-	-	-		
											-	19	18	-	-	-	-	13	12	-	-	-	-	-	-	-	-	-	-	-	-	-	
MX123 CONN ASSY 80 CKT BLU OPT9 KEY G/32	345660644	C-HSG-G9	G-CAP-9-P	TPA-G9	RS	LS	MAL	CPA	MSEAL	RSEAL	-	-	-	-	76	-	74	73	72	71	70	69	68	67	-	-	-	63	62	61			
											60	-	58	-	56	55	54	-	52	51	50	49	48	47	-	45	44	43	42	-			
											40	-	-	-	36	-	34	-	-	31	-	29	28	27	26	-	-	23	22	21			
											-	19	-	17	-	15	14	13	-	11	10	9	8	-	-	-	-	-	-	-	-	1	
MX123 CONN ASSY 80 CKT BLU OPT9 KEY G/26	345660664	C-HSG-G9	G-CAP-9-P	TPA-G9	RS	LS	MAL	CPA	MSEAL	RSEAL	-	-	-	77	76	-	74	73	72	71	70	69	68	67	66	65	64	63	62	61			
											60	-	58	-	56	55	54	53	52	51	50	49	48	47	-	45	44	43	42	-			
											40	-	-	-	36	-	34	-	32	31	-	29	28	27	26	-	-	23	22	21			
											-	19	-	17	-	15	14	13	-	11	10	9	8	-	-	-	-	-	-	-	-	1	
MX123 CONN ASSY 80 CKT GRY OPT9 KEY H/43	345660684	C-HSG-H9	G-CAP-9-P	TPA-H9	RS	LS	MAL	CPA	MSEAL	RSEAL	-	79	78	77	76	-	-	-	-	71	70	-	-	67	66	-	-	63	-	-			
											60	-	58	57	-	-	54	53	-	51	50	-	-	-	-	45	-	-	42	-			
											40	39	38	37	36	35	-	33	32	31	-	-	-	-	-	-	-	-	-	-	-	-	
											20	19	-	-	16	15	-	-	-	-	-	9	8	7	6	-	4	3	-	-	-	-	
MX123 CONN ASSY 80 CKT BLU OPT0 KEY G/41	345660694	C-HSG-G0	G-CAP-0-P	TPA-G0	RS	LS	MAL	CPA	MSEAL	RSEAL	80	79	78	-	76	75	74	73	-	-	70	69	68	67	-	65	64	-	-	-			
											-	-	58	-	-	55	-	53	52	51	-	-	-	-	46	-	44	43	42	41			
											40	39	38	-	-	-	-	33	-	-	30	29	-	-	-	-	24	-	22	-			
											20	19	18	-	-	-	-	13	12	-	-	-	-	-	-	5	4	3	-	-	-		
MX123 CONN ASSY 80 CKT BLU OPT0 KEY G/80	345660703	C-HSG-G0	G-CAP-0-P	TPA-G0	RS	LS	MAL	CPA	MSEAL	RSEAL	-	-	-	-	-	-	-	-	-	-	-	-	-	-	-	-	-	-	-	-	-		
											-	-	-	-	-	-	-	-	-	-	-	-	-	-	-	-	-	-	-	-	-	-	
											-	-	-	-	-	-	-	-	-	-	-	-	-	-	-	-	-	-	-	-	-	-	
											-	-	-	-	-	-	-	-	-	-	-	-	-	-	-	-	-	-	-	-	-	-	
MX123 CONN ASSY 80 CKT GRY OPT0 KEY H/33	345660704	C-HSG-H0	G-CAP-0-P	TPA-H0	RS	LS	MAL	CPA	MSEAL	RSEAL	80	-	-	-	-	75	-	73	72	71	70	69	68	67	66	65	64	63	62	61			
											60	-	58	57	56	55	-	-	-	51	50	49	-	47	-	-	-	43	42	41			
											-	39	38	37	36	35	-	33	32	31	30	-	28	-	-	-	-	22	21	-			
											-	-	18	17	16	15	14	13	-	-	-	-	-	7	6	-	-	-	-	-	-		
MX123 CONN ASSY 80 CKT BLU OPT0 KEY G/34	345660714	C-HSG-G0	G-CAP-0-P	TPA-G0	RS	LS	MAL	CPA	MSEAL	RSEAL	-	-	78	77	76	75	74	73	72	71	70	69	68	67	66	65	64	63	62	61			
											-	-	-	-	-	55	54	53	52	51	50	49	48	47	46	45	44	43	42	41			
											-	-	-	-	-	-	-	-	32	-	-	-	-	27	-	-	24	23	22	21			
											-	-	-	17	-	15	14	13	12	-	-	-	-	-	5	4	-	-	-	-	-		
MX123 CONN ASSY 80 CKT BLU OPT0 KEY G/55	345660734	C-HSG-G0	G-CAP-0-P	TPA-G0	RS	LS	MAL	CPA	MSEAL	RSEAL	-	-	-	-	76	-	-	73	-	71	-	69	-	-	66	-	-	-	-	-			
											-	-	-	57	-	55	-	-	-	-	-	49	48	47	46	-	-	-	42	41			
											-	39	-	-	-	-	-	-	-	-	30	29	-	-	-	24	-	22	21	-	-		
											-	-	18	-	-	-	-	13	12	-	-	-	-	-	5	4	3	-	-	-	-	-	

ASSEMBLY DESCRIPTION	ASSEMBLY PART NUMBER	CONNECTOR HOUSING	GROMMET CAP	TPA	RIGHT SLIDE	LEFT SLIDE	MATE ASSIST LEVER	CPA	MAT SEAL	RING SEAL	BLOCKED TERMINALS																		STATUS	COMMENTS	INTEGRAL COMPONENTS SOLD SEPARATELY DRESS COVER
											CAVITY WITH A NUMBER INDICATES BLOCKED TERMINAL POSITION CAVITY WITHOUT A NUMBER INDICATES OPEN TERMINAL POSITION																				
											80	79	78	77	76					71	70					67	66				
MX123 CONN ASSY 80 CKT GRY OPT0 KEY H/42	345660744	C-HSG-H0	G-CAP-0-P	TPA-H0	RS	LS	MAL	CPA	MSEAL	RSEAL												SALEABLE		345650003							
MX123 CONN ASSY 80 CKT GRY OPT9 KEY H/42	345660754	C-HSG-H9	G-CAP-9-P	TPA-H9	RS	LS	MAL	CPA	MSEAL	RSEAL												SALEABLE		345650003							
MX123 CONN ASSY 80 CKT BLU OPT9 KEY G/52	345660764	C-HSG-G9	G-CAP-9-P	TPA-G9	RS	LS	MAL	CPA	MSEAL	RSEAL												SALEABLE		345650003							
MX123 CONN ASSY 80 CKT GRY OPT0 KEY H/80	345660803	C-HSG-H0	G-CAP-0-P	TPA-H0	RS	LS	MAL	CPA	MSEAL	RSEAL												SALEABLE		345650003							
MX123 CONN ASSY 80 CKT BLU OPT9 KEY G/56	345660804	C-HSG-G9	G-CAP-9-P	TPA-G9	RS	LS	MAL	CPA	MSEAL	RSEAL												SALEABLE		345650003							
MX123 CONN ASSY 80 CKT BLU OPT0 KEY G/42	345660814	C-HSG-G0	G-CAP-0-P	TPA-G0	RS	LS	MAL	CPA	MSEAL	RSEAL												SALEABLE		345650003							
MX123 CONN ASSY 80 CKT GRY OPT0 KEY H/31	345660824	C-HSG-H0	G-CAP-0-P	TPA-H0	RS	LS	MAL	CPA	MSEAL	RSEAL												SALEABLE		345650003							
MX123 CONN ASSY 80 CKT BLU OPT0 KEY G/31	345660834	C-HSG-G0	G-CAP-0-P	TPA-G0	RS	LS	MAL	CPA	MSEAL	RSEAL												SALEABLE		345650003							
MX123 CONN ASSY 80 CKT GRY OPT9 KEY H/42	345660844	C-HSG-H9	G-CAP-9-P	TPA-H9	RS	LS	MAL	CPA	MSEAL	RSEAL												SALEABLE		345650003							
MX123 CONN ASSY 80 CKT BLU OPT9 KEY G/54	345660854	C-HSG-G9	G-CAP-9-P	TPA-G9	RS	LS	MAL	CPA	MSEAL	RSEAL												SALEABLE		345650003							
MX123 CONN ASSY 80 CKT GRY OPT0 KEY H/33	345660864	C-HSG-H0	G-CAP-0-P	TPA-H0	RS	LS	MAL	CPA	MSEAL	RSEAL												SALEABLE		345650003							
MX123 CONN ASSY 80 CKT GRY OPT0 KEY H/47	345660874	C-HSG-H0	G-CAP-0-P	TPA-H0	RS	LS	MAL	CPA	MSEAL	RSEAL												SALEABLE		345650003							



**MX123 SEALED RCPT ASSY (80 Ckt)  
BOM & PIN OUT SHEET**

ASSEMBLY DESCRIPTION	ASSEMBLY PART NUMBER	CONNECTOR HOUSING	GROMMET CAP	TPA	RIGHT SLIDE	LEFT SLIDE	MATE ASSIST LEVER	CPA	MAT SEAL	RING SEAL	BLOCKED TERMINALS																		STATUS	COMMENTS	INTEGRAL COMPONENTS SOLD SEPARATELY DRESS COVER
											CAVITY WITH A NUMBER INDICATES BLOCKED TERMINAL POSITION CAVITY WITHOUT A NUMBER INDICATES OPEN TERMINAL POSITION																				
											80	79	78	77	76	75	74	73	72	71	70	69	68	67	66	65	64	63			
MX123 CONN ASSY 80 CKT GRY OPT9 KEY H/47	345660894	C-HSG-H9	G-CAP-9-P	TPA-H9	RS	LS	MAL	CPA	MSEAL	RSEAL	80	79	78	77	76	75	-	-	-	-	70	-	-	-	66	-	-	-	-		
											60	-	-	57	-	-	54	-	-	51	50	-	-	-	-	45	-	-	42	-	
											40	39	38	37	36	35	-	33	32	31	-	-	-	-	-	-	-	-	-	-	-
											20	19	-	-	16	15	-	-	-	-	-	9	8	7	-	-	4	3	-	-	-
MX123 CONN ASSY 80 CKT BLU OPT9 KEY G/56	345660904	C-HSG-G9	G-CAP-9-P	TPA-G9	RS	LS	MAL	CPA	MSEAL	RSEAL	-	-	-	-	76	-	-	-	-	71	-	69	-	-	66	-	64	-	-	-	
											-	-	58	57	-	-	-	-	-	-	49	48	47	46	-	-	-	42	41	-	
											-	39	-	-	-	-	-	-	-	-	30	29	-	-	-	-	24	-	22	21	-
											-	19	18	-	-	-	-	13	12	-	-	-	-	-	-	-	-	-	3	-	-
MX123 CONN ASSY 80 CKT GRY OPT0 KEY H/44	345660914	C-HSG-H0	G-CAP-0-P	TPA-H0	RS	LS	MAL	CPA	MSEAL	RSEAL	80	79	78	77	76	-	-	-	-	71	70	69	-	67	66	-	-	63	-	-	
											60	-	58	57	-	-	54	53	-	51	50	-	-	-	-	45	-	-	42	-	
											40	39	38	37	36	35	-	33	32	31	-	-	-	-	-	-	-	-	-	-	-
											20	19	-	-	16	-	-	-	-	-	-	9	8	7	6	-	-	-	-	-	-
MX123 CONN ASSY 80 CKT BLU OPT0 KEY G/42	345660934	C-HSG-G0	G-CAP-0-P	TPA-G0	RS	LS	MAL	CPA	MSEAL	RSEAL	80	79	78	77	76	75	74	73	-	-	70	-	-	67	-	65	64	-	-	-	
											60	-	58	-	-	55	54	-	52	51	-	-	-	-	46	-	-	43	42	41	
											40	39	38	-	-	-	-	-	-	30	29	-	-	-	-	-	24	-	22	-	-
											20	19	18	17	-	-	-	13	12	-	-	-	-	-	-	5	4	3	-	-	-
MX123 CONN ASSY 80 CKT GRY OPT0 KEY H/36	345660944	C-HSG-H0	G-CAP-0-P	TPA-H0	RS	LS	MAL	CPA	MSEAL	RSEAL	80	79	-	-	-	75	-	73	72	71	70	69	68	67	66	65	64	63	-	61	
											60	-	-	57	56	55	-	-	-	51	50	49	-	47	-	-	-	43	42	41	
											40	39	38	37	36	35	-	33	32	31	30	-	-	-	-	-	-	-	22	21	-
											-	-	-	-	16	15	14	13	-	-	-	-	-	7	6	-	-	-	-	-	-
MX123 CONN ASSY 80 CKT GRY OPT0 KEY H/23	345661053	C-HSG-H0	G-CAP-0-P	TPA-H0	RS	LS	MAL	CPA	MSEAL	RSEAL	80	-	-	-	-	-	-	-	-	-	-	-	-	67	-	-	-	-	62	-	
											-	-	-	-	-	55	54	-	-	51	-	49	48	47	46	45	-	-	42	-	
											-	-	-	-	36	-	-	-	-	31	-	-	28	-	-	25	24	23	-	-	-
											-	-	-	-	-	15	-	-	-	-	10	-	-	7	-	-	4	-	-	-	1
MX123 CONN ASSY 80 CKT GRY OPT0 KEY H/30	345661123	C-HSG-H0	G-CAP-0-P	TPA-H0	RS	LS	MAL	CPA	MSEAL	RSEAL	80	79	-	77	76	75	74	73	-	-	-	-	-	-	-	-	-	62	-		
											60	59	-	-	-	55	54	-	-	-	-	49	48	47	46	45	-	-	42	-	
											-	39	38	-	36	-	-	-	-	31	-	-	28	-	-	25	24	23	-	-	-
											-	-	-	-	-	15	-	13	-	11	-	-	-	-	-	-	4	-	-	-	-
MX123 CONN ASSY 80 CKT GRY OPT0 KEY H/35	345661163	C-HSG-H0	G-CAP-0-P	TPA-H0	RS	LS	MAL	CPA	MSEAL	RSEAL	80	79	-	77	76	75	74	73	-	-	-	-	-	67	-	-	-	-	62	-	
											-	-	-	-	-	55	54	-	-	51	-	49	48	47	46	45	-	-	42	-	
											-	39	38	-	36	-	-	33	-	31	-	-	28	-	-	25	24	23	-	-	-
											-	-	-	-	-	15	14	-	-	11	10	9	-	7	-	-	4	-	-	-	1
MX123 CONN ASSY 80 CKT GRY OPT0 KEY H/38	345661313	C-HSG-H0	G-CAP-0-P	TPA-H0	RS	LS	MAL	CPA	MSEAL	RSEAL	-	79	-	77	76	75	74	73	-	-	-	-	-	67	-	-	-	-	62	-	
											60	59	-	-	-	-	-	52	51	50	49	48	47	-	45	-	-	-	-	41	
											-	39	38	-	36	-	34	33	-	31	-	-	28	-	-	25	24	23	22	-	-
											-	-	-	-	16	-	14	13	-	11	10	9	-	7	-	-	4	-	-	-	1
MX123 CONN ASSY 80 CKT GRY OPT0 KEY H/28	345661353	C-HSG-H0	G-CAP-0-P	TPA-H0	RS	LS	MAL	CPA	MSEAL	RSEAL	80	-	-	-	-	-	-	-	-	-	-	-	-	67	-	-	-	-	62	-	
											-	-	-	-	-	55	54	-	52	51	-	49	48	47	46	45	-	-	42	-	
											-	-	-	-	36	-	-	33	-	31	-	-	28	-	-	25	24	23	-	-	-
											-	-	-	-	16	15	14	-	-	-	10	9	-	7	-	-	4	-	-	-	1
MX123 CONN ASSY 80 CKT GRY OPT9 KEY H/80	345661573	C-HSG-H9	G-CAP-9-P	TPA-H9	RS	LS	MAL	CPA	MSEAL	RSEAL	80	79	78	77	76	75	74	73	72	71	70	69	68	67	66	65	64	63	62	61	
											60	59	58	57	56	55	54	53	52	51	50	49	48	47	46	45	44	43	42	41	
											40	39	38	37	36	35	34	33	32	31	30	29	28	27	26	25	24	23	22	21	
											20	19	18	17	16	15	14	13	12	11	10	9	8	7	6	5	4	3	2	1	
MX123 CONN ASSY 80 CKT GRY OPT0 KEY H/22	345661613	C-HSG-H0	G-CAP-0-P	TPA-H0	RS	LS	MAL	CPA	MSEAL	RSEAL	80	-	-	-	-	-	-	-	-	-	-	-	-	67	-	-	-	-	62	-	
											-	-	-	-	-	55	54	-	52	51	-	49	48	47	46	45	-	-	42	-	
											-	-	-	-	36	-	-	-	-	31	-	-	28	-	-	25	-	-	-	-	-
											-	-	-	-	16	15	-	-	-	-	-	-	-	7	-	-	4	-	-	-	1



**MX123 SEALED RCPT ASSY (80 Ckt)  
BOM & PIN OUT SHEET**

ASSEMBLY DESCRIPTION	ASSEMBLY PART NUMBER	CONNECTOR HOUSING	GROMMET CAP	TPA	RIGHT SLIDE	LEFT SLIDE	MATE ASSIST LEVER	CPA	MAT SEAL	RING SEAL	BLOCKED TERMINALS																				STATUS	COMMENTS	INTEGRAL COMPONENTS SOLD SEPARATELY DRESS COVER
											CAVITY WITH A NUMBER INDICATES BLOCKED TERMINAL POSITION CAVITY WITHOUT A NUMBER INDICATES OPEN TERMINAL POSITION																						
MX123 CONN ASSY 80 CKT GRY OPT0 KEY H/73	345662773	C-HSG-H0	G-CAP-0-P	TPA-H0	RS	LS	MAL	CPA	MSEAL	RSEAL	80	79	78	77	76	75	74	73	72	71	70	69	68	67	66	65	64	63	62	-	SALEABLE		345650003
											60	59	58	57	56	55	54	-	52	51	50	49	48	47	46	45	44	43	42	41			
											40	39	38	37	36	35	34	33	-	31	30	29	28	27	26	25	24	23	22	21			
											-	19	18	17	16	15	14	13	12	11	10	-	8	7	6	-	4	3	2	-			
MX123 CONN ASSY 80 CKT GRY OPT9 KEY H/73	345662783	C-HSG-H9	G-CAP-9-P	TPA-H9	RS	LS	MAL	CPA	MSEAL	RSEAL	80	79	78	77	76	75	74	73	72	71	70	69	68	67	66	65	64	63	62	-	SALEABLE		345650003
											60	59	58	57	56	55	54	-	52	51	50	49	48	47	46	45	44	43	42	41			
											40	39	38	37	36	35	34	33	-	31	30	29	28	27	26	25	24	23	22	21			
											-	19	18	17	16	15	14	13	12	11	10	-	8	7	6	-	4	3	2	-			
MX123 CONN ASSY 80 CKT GRY OPT0 KEY H/80	345662803	C-HSG-H0	G-CAP-0-P	TPA-H0	RS	LS	MAL	CPA	MSEAL	RSEAL	80	79	78	77	76	75	74	73	72	71	70	69	68	67	66	65	64	63	62	61	SALEABLE		345650003
											60	59	58	57	56	55	54	53	52	51	50	49	48	47	46	45	44	43	42	41			
											40	39	38	37	36	35	34	33	32	31	30	29	28	27	26	25	24	23	22	21			
											20	19	18	17	16	15	14	13	12	11	10	9	8	7	6	5	4	3	2	1			
MX123 CONN ASSY 80 CKT GRY OPT0 KEY H/33	345662963	C-HSG-H0	G-CAP-0-P	TPA-H0	RS	LS	MAL	CPA	MSEAL	RSEAL	80	-	78	77	76	75	-	-	-	-	70	-	-	-	66	65	-	63	-	-	SALEABLE		345650003
											60	-	58	57	56	55	-	-	-	51	50	-	-	-	46	45	44	43	-	-			
											40	39	-	37	36	35	34	-	32	31	30	-	28	-	26	-	24	23	22	-			
											20	19	18	17	16	-	-	13	12	-	-	-	-	-	6	5	4	3	2	1			
MX123 CONN ASSY 80 CKT BLU OPT0 KEY G/46	345662973	C-HSG-G0	G-CAP-0-P	TPA-G0	RS	LS	MAL	CPA	MSEAL	RSEAL	-	79	-	-	76	-	-	-	-	71	-	-	68	-	66	-	-	-	-	61	SALEABLE		345650003
											-	59	-	-	56	-	-	53	-	-	-	-	48	-	46	-	44	43	42	41			
											-	39	-	-	36	35	34	-	-	-	30	29	28	-	-	-	-	23	22	21			
											-	19	-	-	16	15	14	13	12	11	-	-	-	7	-	-	4	-	-	-			
MX123 CONN ASSY 80 CKT BLU OPT0 KEY G/34	345663023	C-HSG-G0	G-CAP-0-P	TPA-G0	RS	LS	MAL	CPA	MSEAL	RSEAL	80	-	78	77	-	75	74	73	72	-	70	69	-	67	-	65	64	63	62	-	SALEABLE		345650003
											60	-	58	57	-	55	54	-	52	51	50	49	-	47	-	45	-	-	-	-			
											40	-	38	37	-	-	-	33	32	31	-	-	-	27	26	25	24	-	-	-			
											20	-	18	17	-	-	-	-	-	-	10	9	8	-	6	5	-	3	2	1			
MX123 CONN ASSY 80 CKT GRY OPT0 KEY H/47	345663033	C-HSG-H0	G-CAP-0-P	TPA-H0	RS	LS	MAL	CPA	MSEAL	RSEAL	-	79	-	-	-	74	73	72	71	-	69	68	67	-	-	64	-	62	61	SALEABLE		345650003	
											-	59	-	-	-	54	53	52	-	-	-	49	48	47	-	-	-	-	42				41
											-	-	38	-	-	-	33	-	-	-	29	-	27	-	25	-	-	-	-				21
											-	-	-	-	-	15	14	-	-	11	10	9	8	7	-	-	-	-	-				-
MX123 CONN ASSY 80 CKT GRY OPT9 KEY H/5	345663463	C-HSG-H9	G-CAP-9-P	TPA-H9	RS	LS	MAL	CPA	MSEAL	RSEAL	80	79	78	77	76	75	74	73	72	71	70	69	68	67	66	65	64	63	62	-	SALEABLE		345650003
											60	59	58	57	56	55	54	53	52	51	50	49	48	47	46	45	44	43	42	41			
											40	39	38	37	36	35	34	33	32	31	30	29	28	27	26	25	24	23	22	21			
											-	19	18	17	16	15	14	13	12	11	10	-	8	7	6	-	4	3	2	-			
MX123 CONN ASSY 80 CKT GRY OPT9 KEY H/7	345663683	C-HSG-H9	G-CAP-9-P	TPA-H9	RS	LS	MAL	CPA	MSEAL	RSEAL	80	79	78	77	76	75	74	73	72	71	70	69	68	67	66	65	64	63	62	-	SALEABLE		345650003
											60	59	58	57	56	55	54	53	52	51	50	49	48	47	46	45	44	43	42	41			
											40	39	38	37	36	35	34	33	-	31	30	29	28	27	26	25	24	23	22	21			
											-	19	18	17	16	-	14	13	12	11	10	-	8	7	6	-	4	3	2	-			
MX123 CONN ASSY 80 CKT GRY OPT0 KEY H/32	345664383	C-HSG-H0	G-CAP-0-P	TPA-H0	RS	LS	MAL	CPA	MSEAL	RSEAL	80	-	78	77	76	75	-	-	-	-	70	-	-	-	66	65	-	63	-	-	SALEABLE		345650003
											60	-	58	57	56	55	-	53	-	51	50	-	-	-	46	45	44	43	-	-			
											40	39	-	37	36	35	34	-	32	31	30	-	28	-	26	-	24	23	22	21			
											20	19	-	17	16	-	-	13	12	-	-	-	-	-	6	5	4	3	2	1			
MX123 CONN ASSY 80 CKT BLU OPT0 KEY G/44	345664393	C-HSG-G0	G-CAP-0-P	TPA-G0	RS	LS	MAL	CPA	MSEAL	RSEAL	80	79	-	-	76	-	-	73	-	71	-	-	68	-	66	-	-	-	-	61	SALEABLE		345650003
											-	59	-	-	56	-	-	53	-	-	-	-	48	-	46	-	44	43	42	41			
											-	39	-	-	36	35	34	-	-	-	30	29	28	-	-	-	-	23	22	21			
											-	19	-	-	16	15	14	13	12	11	-	-	-	7	-	-	4	-	-	-			
MX123 CONN ASSY 80 CKT GRY OPT0 KEY H/25	345664503	C-HSG-H0	G-CAP-0-P	TPA-H0	RS	LS	MAL	CPA	MSEAL	RSEAL	80	-	-	-	-	-	-	-	-	-	-	-	-	67	-	-	-	-	62	-	SALEABLE		345650003
											-	-	-	-	-	55	54	-	52	51	-	49	48	47	46	45	-	-	42	-			
											-	-	-	-	36	-	-	-	-	31	-	-	28	-	-	25	-	-	-	-			
											-	-	-	-	16	15	14	-	-	-	10	9	-	7	-	-	4	-	-	1			



ASSEMBLY DESCRIPTION	ASSEMBLY PART NUMBER	CONNECTOR HOUSING	GROMMET CAP	TPA	RIGHT SLIDE	LEFT SLIDE	MATE ASSIST LEVER	CPA	MAT SEAL	RING SEAL	BLOCKED TERMINALS																		STATUS	COMMENTS	INTEGRAL COMPONENTS SOLD SEPARATELY DRESS COVER
											CAVITY WITH A NUMBER INDICATES BLOCKED TERMINAL POSITION CAVITY WITHOUT A NUMBER INDICATES OPEN TERMINAL POSITION																				
											80	79	-	-	76	-	-	73	-	71	-	-	68	-	66	-	-	-			
MX123 CONN ASSY 80 CKT BLU OPT0 KEY G/42	345664523	C-HSG-G0	G-CAP-0-P	TPA-G0	RS	LS	MAL	CPA	MSEAL	RSEAL	-	59	-	-	56	-	-	53	-	-	-	48	-	46	-	44	43	42	41		
											-	39	-	-	36	35	34	33	32	-	30	29	28	-	-	-	23	22	21		
											-	19	-	-	16	15	14	13	12	11	-	-	-	7	-	-	4	-	-	-	
MX123 CONN ASSY 80 CKT GRY OPT0 KEY H/28	345664603	C-HSG-H0	G-CAP-0-P	TPA-H0	RS	LS	MAL	CPA	MSEAL	RSEAL	80	-	-	-	-	-	-	-	-	-	-	-	-	67	-	-	-	-	62	-	
											-	-	-	-	55	54	-	52	51	-	49	48	47	46	45	-	-	42	-		
											-	-	-	-	36	-	-	-	31	-	-	28	-	-	25	24	23	-	-		
											-	-	-	-	16	15	14	-	-	11	10	9	-	7	-	-	4	-	-	1	
MX123 CONN ASSY 80 CKT GRY OPT0 KEY H/22	345665003	C-HSG-H0	G-CAP-0-P	TPA-H0	RS	LS	MAL	CPA	MSEAL	RSEAL	80	-	-	-	-	-	-	-	-	-	-	-	-	67	-	-	-	-	62	-	
											-	-	-	-	55	54	-	51	-	49	48	47	46	45	-	-	42	-			
											-	-	-	-	36	-	-	-	31	-	-	28	-	-	25	24	23	-	-		
											-	-	-	-	15	-	-	-	-	-	-	-	7	-	-	4	-	-	1		
MX123 CONN ASSY 80 CKT GRY OPT9 KEY H/71	345665063	C-HSG-H9	G-CAP-9-P	TPA-H9	RS	LS	MAL	CPA	MSEAL	RSEAL	-	-	-	-	-	-	-	-	-	-	-	-	-	-	-	-	-	-	-	-	
											-	-	-	-	-	-	-	-	-	-	-	-	-	-	-	-	-	-	-	-	
											-	-	-	-	36	-	-	-	31	-	-	28	-	-	25	-	-	-	-		
											-	-	-	-	16	15	-	-	-	-	-	-	7	-	-	4	-	-	1		
MX123 CONN ASSY 80 CKT BLU OPT0 KEY G/47	345665323	C-HSG-G0	G-CAP-0-P	TPA-G0	RS	LS	MAL	CPA	MSEAL	RSEAL	-	79	-	-	76	-	-	-	71	-	-	68	-	66	-	-	-	61			
											-	59	-	-	56	-	-	53	-	-	-	48	-	46	-	44	43	42	41		
											-	39	-	-	36	35	34	-	-	30	29	28	-	-	-	-	23	22	21		
											-	19	-	-	16	15	14	13	12	11	-	-	-	7	-	-	-	-	-		
MX123 CONN ASSY 80 CKT GRY OPT0 KEY H/32	345665843	C-HSG-H0	G-CAP-0-P	TPA-H0	RS	LS	MAL	CPA	MSEAL	RSEAL	80	-	78	77	76	75	-	-	-	70	69	-	-	66	-	-	-	-	-		
											60	-	58	-	56	55	-	53	-	51	50	49	48	47	46	45	44	43	-	-	
											40	39	-	37	36	35	-	-	32	31	30	-	28	-	26	-	24	23	22	21	
											20	19	-	17	16	-	-	13	12	-	-	-	-	6	5	4	3	2	1		
MX123 CONN ASSY 80 CKT GRY OPT0 KEY H/32	345665853	C-HSG-H0	G-CAP-0-P	TPA-H0	RS	LS	MAL	CPA	MSEAL	RSEAL	80	-	78	77	76	75	-	-	-	70	69	-	-	66	-	-	-	-	-		
											60	-	58	-	56	55	-	53	-	51	50	49	48	47	46	45	44	-	-		
											40	39	-	37	36	35	34	-	32	31	30	-	28	-	26	-	24	23	22	21	
											20	19	-	17	16	-	-	13	12	-	-	-	-	6	5	4	3	2	1		
MX123 CONN ASSY 80 CKT GRY OPT0 KEY H/26	345666603	C-HSG-H0	G-CAP-0-P	TPA-H0	RS	LS	MAL	CPA	MSEAL	RSEAL	80	-	-	-	-	-	-	-	-	-	-	-	67	-	-	-	-	62	-		
											-	-	-	-	55	54	-	-	51	-	49	48	47	46	45	-	-	42	-		
											-	-	-	-	36	-	-	-	31	-	-	28	-	-	25	24	23	-	-		
											-	-	-	-	15	14	-	-	11	10	9	-	7	-	-	4	-	-	1		
MX123 CONN ASSY 80 CKT GRY OPT0 KEY H/24	345666703	C-HSG-H0	G-CAP-0-P	TPA-H0	RS	LS	MAL	CPA	MSEAL	RSEAL	80	-	-	-	-	-	-	-	-	-	-	-	67	-	-	-	-	62	-		
											-	-	-	-	55	54	-	52	51	-	49	48	47	46	45	-	-	42	-		
											-	-	-	-	36	-	-	-	31	-	-	28	-	-	25	24	23	-	-		
											-	-	-	-	16	15	-	-	-	-	-	-	7	-	-	4	-	-	1		
MX123 CONN ASSY 80 CKT GRY OPT0 KEY H/29	345666723	C-HSG-H0	G-CAP-0-P	TPA-H0	RS	LS	MAL	CPA	MSEAL	RSEAL	80	-	78	77	76	75	-	-	72	71	70	69	68	-	66	-	-	-	-		
											60	-	58	57	56	55	54	-	-	51	50	49	48	47	46	45	-	-	-		
											40	39	-	37	36	35	34	-	32	31	30	29	28	-	26	-	24	23	22	21	
											20	19	-	17	16	-	-	-	-	11	-	-	-	-	6	5	4	3	2	1	
MX123 CONN ASSY 80 CKT BLU OPT0 KEY G/40	345666733	C-HSG-G0	G-CAP-0-P	TPA-G0	RS	LS	MAL	CPA	MSEAL	RSEAL	80	79	-	-	76	-	-	73	-	71	-	69	68	67	66	65	-	-	62	61	
											-	59	-	-	56	-	-	53	-	-	-	48	-	46	-	44	43	42	41		
											-	-	-	-	36	35	34	-	-	30	29	28	-	-	25	24	23	22	21		
											-	-	-	-	16	15	14	13	12	11	-	-	-	7	-	5	-	-	-		
MX123 CONN ASSY 80 CKT BLU OPT0 KEY G/30	345666993	C-HSG-G0	G-CAP-0-P	TPA-G0	RS	LS	MAL	CPA	MSEAL	RSEAL	80	79	-	-	-	75	74	73	72	71	70	69	68	-	-	-	64	63	62	61	
											60	59	58	57	56	55	54	53	52	51	50	49	48	47	46	45	44	43	42	41	
											-	-	-	-	-	-	-	-	-	31	30	-	-	27	26	-	24	23	22	-	
											-	-	-	-	-	-	-	-	-	11	10	9	8	7	6	5	4	-	2	-	

ASSEMBLY DESCRIPTION	ASSEMBLY PART NUMBER	CONNECTOR HOUSING	GROMMET CAP	TPA	RIGHT SLIDE	LEFT SLIDE	MATE ASSIST LEVER	CPA	MAT SEAL	RING SEAL	BLOCKED TERMINALS																				STATUS	COMMENTS	INTEGRAL COMPONENTS SOLD SEPARATELY DRESS COVER																																														
											CAVITY WITH A NUMBER INDICATES BLOCKED TERMINAL POSITION CAVITY WITHOUT A NUMBER INDICATES OPEN TERMINAL POSITION																																																																				
											1	2	3	4	5	6	7	8	9	10	11	12	13	14	15	16	17	18	19	20			21	22	23	24	25	26	27	28	29	30	31	32	33	34	35	36	37	38	39	40	41	42	43	44	45	46	47	48	49	50	51	52	53	54	55	56	57	58	59	60	61	62	63	64	65	66	67
MX123 CONN ASSY 80 CKT BLU OPT9 KEY G/39	345667113	C-HSG-G9	G-CAP-9-P	TPA-G9	RS	LS	MAL	CPA	MSEAL	RSEAL	-	-	-	77	-	75	74	73	72	-	70	69	68	-	66	65	64	63	62	61	SALEABLE		345650003																																														
MX123 CONN ASSY 80 CKT BLU OPT9 KEY G/37	345667123	C-HSG-G9	G-CAP-9-P	TPA-G9	RS	LS	MAL	CPA	MSEAL	RSEAL	-	-	-	-	56	55	-	53	52	-	-	-	-	-	46	45	-	43	42	-	SALEABLE		345650003																																														
MX123 CONN ASSY 80 CKT BLU OPT9 KEY G/33	345667323	C-HSG-G9	G-CAP-9-P	TPA-G9	RS	LS	MAL	CPA	MSEAL	RSEAL	80	79	78	77	76	75	74	-	72	71	70	69	-	-	66	65	-	-	62	61	SALEABLE		345650003																																														
MX123 CONN ASSY 80 CKT BLU OPT0 KEY G/48	345667533	C-HSG-G0	G-CAP-0-P	TPA-G0	RS	LS	MAL	CPA	MSEAL	RSEAL	-	-	-	77	76	75	74	73	72	-	-	69	68	-	66	65	64	63	62	61	SALEABLE		345650003																																														
MX123 CONN ASSY 80 CKT GRY OPT9 KEY H/47	345667613	C-HSG-H9	G-CAP-9-P	TPA-H9	RS	LS	MAL	CPA	MSEAL	RSEAL	-	-	-	77	76	-	74	73	72	-	-	69	68	-	66	65	64	63	62	61	SALEABLE		345650003																																														
MX123 CONN ASSY 80 CKT BLU OPT9 KEY G/49	345667623	C-HSG-G9	G-CAP-9-P	TPA-G9	RS	LS	MAL	CPA	MSEAL	RSEAL	-	-	-	-	56	55	-	53	52	-	-	-	-	-	46	-	-	43	-	-	SALEABLE		345650003																																														
MX123 CONN ASSY 80 CKT BLU OPT9 KEY G/50	345667913	C-HSG-G9	G-CAP-9-P	TPA-G9	RS	LS	MAL	CPA	MSEAL	RSEAL	-	-	-	77	76	-	74	73	72	-	-	69	68	-	66	65	64	63	62	-	SALEABLE		345650003																																														
MX123 CONN ASSY 80 CKT GRY OPT0 KEY H/33	345668103	C-HSG-H0	G-CAP-0-P	TPA-H0	RS	LS	MAL	CPA	MSEAL	RSEAL	80	79	-	77	76	75	74	73	-	-	-	-	-	67	-	-	-	-	62	-	SALEABLE		345650003																																														
MX123 CONN ASSY 80 CKT BLU OPT0 KEY G/32	345668123	C-HSG-G0	G-CAP-0-P	TPA-G0	RS	LS	MAL	CPA	MSEAL	RSEAL	-	-	78	77	76	75	74	-	-	71	-	-	-	-	-	-	-	63	-	-	SALEABLE		345650003																																														
MX123 CONN ASSY 80 CKT BLU OPT0 KEY G/49	345668133	C-HSG-G0	G-CAP-0-P	TPA-G0	RS	LS	MAL	CPA	MSEAL	RSEAL	-	-	-	-	76	-	74	73	-	-	-	-	-	67	-	65	64	63	62	61	SALEABLE		345650003																																														
MX123 CONN ASSY 80 CKT BLU OPT0 KEY G/78	345668143	C-HSG-G0	G-CAP-0-P	TPA-G0	RS	LS	MAL	CPA	MSEAL	RSEAL	-	-	-	-	-	-	-	-	-	71	-	-	-	-	-	-	-	-	-	-	SALEABLE		345650003																																														
MX123 CONN ASSY 80 CKT GRY OPT9 KEY H/2	345668183	C-HSG-H9	G-CAP-9-P	TPA-H9	RS	LS	MAL	CPA	MSEAL	RSEAL	80	79	78	77	76	75	74	73	72	-	70	69	68	67	66	65	64	63	62	61	SALEABLE		345650003																																														

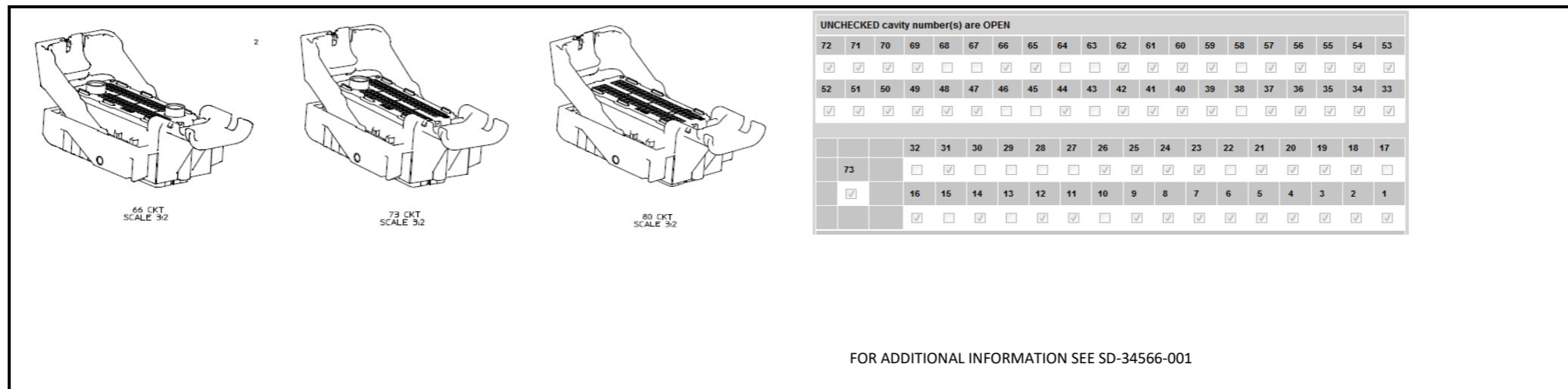


MX123 SEALED RCPT ASSY (80 Ckt)  
BOM & PIN OUT SHEET

ASSEMBLY DESCRIPTION	ASSEMBLY PART NUMBER	CONNECTOR HOUSING	GROMMET CAP	TPA	RIGHT SLIDE	LEFT SLIDE	MATE ASSIST LEVER	CPA	MAT SEAL	RING SEAL	BLOCKED TERMINALS																				STATUS	COMMENTS	INTEGRAL COMPONENTS SOLD SEPARATELY DRESS COVER	
											CAVITY WITH A NUMBER INDICATES BLOCKED TERMINAL POSITION																							
											CAVITY WITHOUT A NUMBER INDICATES OPEN TERMINAL POSITION																							
MX123 CONN ASSY 80 CKT BLU OPT0 KEY G/45	345668193	C-HSG-G0	G-CAP-0-P	TPA-G0	RS	LS	MAL	CPA	MSEAL	RSEAL	80	-	-	-	-	-	-	-	73	72	-	70	69	68	-	66	-	64	-	62	61	SALEABLE		345650003
											-	-	-	-	-	-	-	-	53	-	51	50	49	48	-	46	-	44	-	42	41			
											-	39	-	-	36	35	34	-	-	-	-	-	28	-	-	25	24	23	22	21				
											-	19	-	-	16	15	14	13	12	-	-	-	-	-	-	-	-	-	-	-				
MX123 CONN ASSY 80 CKT GRY OPT0 KEY H/30	345668213	C-HSG-H0	G-CAP-0-P	TPA-H0	RS	LS	MAL	CPA	MSEAL	RSEAL	80	79	78	77	76	75	-	-	72	71	70	69	68	-	66	-	-	-	-	-	SALEABLE		345650003	
											60	59	58	57	56	55	54	-	-	51	50	49	48	47	46	45	-	-	-	-				
											40	39	-	37	36	35	34	-	32	31	30	29	28	-	26	-	24	23	22	21				
											-	19	18	17	-	-	-	-	-	11	-	-	-	7	-	-	4	3	-	1				
MX123 CONN ASSY 80 CKT BLU OPT9 KEY G/45	345668233	C-HSG-G9	G-CAP-9-P	TPA-G9	RS	LS	MAL	CPA	MSEAL	RSEAL	80	79	78	-	-	-	-	-	71	-	-	-	67	-	-	-	-	-	-	SALEABLE		345650003		
											60	59	58	57	-	-	54	-	-	51	50	49	48	47	-	-	44	-	-				41	
											40	39	-	-	-	-	-	33	32	-	30	29	28	27	-	25	24	-	-				-	
											-	-	18	-	-	-	-	-	12	11	-	9	8	-	-	5	-	3	2				-	
MX123 CONN ASSY 80 CKT BLU OPT9 KEY G/43	345668243	C-HSG-G9	G-CAP-9-P	TPA-G9	RS	LS	MAL	CPA	MSEAL	RSEAL	80	79	78	-	76	-	-	-	71	-	-	-	67	-	-	-	-	-	-	SALEABLE		345650003		
											60	59	58	57	-	-	54	-	-	51	50	49	48	47	-	-	44	-	-				41	
											40	39	-	37	-	-	-	33	32	-	30	29	28	27	-	25	24	-	-				-	
											-	-	18	-	-	-	-	-	12	11	-	9	8	-	-	5	-	3	2				-	
MX123 CONN ASSY 80 CKT BLU OPT9 KEY G/43	345668253	C-HSG-G9	G-CAP-9-P	TPA-G9	RS	LS	MAL	CPA	MSEAL	RSEAL	80	79	78	-	-	-	-	-	71	-	-	-	67	-	-	-	-	-	-	SALEABLE		345650003		
											60	59	58	57	-	-	54	-	-	51	50	49	48	47	-	-	44	-	-				41	
											40	39	-	-	-	-	-	33	32	-	30	29	28	27	-	25	24	-	-				-	
											20	19	18	-	-	-	-	-	12	11	-	9	8	-	-	5	-	3	2				-	
MX123 CONN ASSY 80 CKT BLU OPT9 KEY G/41	345668263	C-HSG-G9	G-CAP-9-P	TPA-G9	RS	LS	MAL	CPA	MSEAL	RSEAL	80	79	78	-	76	-	-	-	71	-	-	-	67	-	-	-	-	-	-	SALEABLE		345650003		
											60	59	58	57	-	-	54	-	-	51	50	49	48	47	-	-	44	-	-				41	
											40	39	-	37	-	-	-	33	32	-	30	29	28	27	-	25	24	-	-				-	
											20	19	18	-	-	-	-	-	12	11	-	9	8	-	-	5	-	3	2				-	
MX123 CONN ASSY 80 CKT BLU OPT9 KEY G/35	345668273	C-HSG-G9	G-CAP-9-P	TPA-G9	RS	LS	MAL	CPA	MSEAL	RSEAL	-	-	-	77	76	75	74	73	72	-	70	69	68	-	66	65	64	63	62	61	SALEABLE		345650003	
											-	-	-	-	56	55	-	53	52	-	-	-	-	-	46	45	-	43	42	-				
											-	-	38	37	36	35	34	-	-	31	-	-	-	-	26	-	-	23	22	21				
											20	19	-	17	16	15	14	13	-	-	10	-	-	7	6	-	4	-	-	1				
MX123 CONN ASSY 80 CKT BLU OPT9 KEY G/37	345668283	C-HSG-G9	G-CAP-9-P	TPA-G9	RS	LS	MAL	CPA	MSEAL	RSEAL	-	-	-	77	-	75	74	73	72	-	70	69	68	-	66	65	64	63	62	61	SALEABLE		345650003	
											-	-	-	-	56	55	-	53	52	-	-	-	-	-	46	45	-	43	42	-				
											-	-	38	-	36	35	34	-	-	31	-	-	-	-	26	-	-	23	22	21				
											20	19	-	17	16	15	14	13	-	-	10	-	-	7	6	-	4	-	-	1				
MX123 CONN ASSY 80 CKT GRY OPT0 KEY H/13	345668433	C-HSG-H0	G-CAP-0-P	TPA-H0	RS	LS	MAL	CPA	MSEAL	RSEAL	80	-	-	-	-	-	-	-	72	71	70	-	68	67	66	65	64	63	62	-	SALEABLE		345650003	
											60	59	58	57	56	55	54	53	52	51	50	49	48	47	46	45	44	43	42	41				
											40	39	38	37	36	35	34	33	32	31	30	29	28	27	26	25	24	23	22	21				
											-	19	18	17	16	15	14	13	12	11	10	-	8	7	6	-	4	3	2	-				
MX123 CONN ASSY 80 CKT GRY OPT0 KEY H/31	345668903	C-HSG-H0	G-CAP-0-P	TPA-H0	RS	LS	MAL	CPA	MSEAL	RSEAL	80	79	-	77	76	75	74	73	72	-	-	-	-	-	-	-	-	62	-	SALEABLE		345650003		
											60	59	-	-	-	55	54	-	-	-	-	49	48	47	46	45	-	-	42				-	
											-	39	38	-	36	-	-	-	-	31	-	-	-	-	28	-	-	25	24				23	-
											-	-	-	-	-	15	-	13	-	11	-	-	-	-	-	-	-	4	-				-	-
MX123 CONN ASSY 80 CKT BLU OPT0 KEY G/42	345669123	C-HSG-G0	G-CAP-0-P	TPA-G0	RS	LS	MAL	CPA	MSEAL	RSEAL	80	79	-	-	-	-	-	73	-	71	-	69	68	67	66	65	-	-	62	61	SALEABLE		345650003	
											-	59	-	-	-	-	-	53	-	-	-	-	48	-	46	-	44	43	42	41				
											-	-	-	-	36	35	34	-	-	-	30	29	28	-	-	25	24	23	22	21				
											-	-	-	-	16	15	14	13	12	11	-	-	-	7	-	5	-	-	-	-				
MX123 CONN ASSY 80 CKT BLU OPT9 KEY G/36	345669283	C-HSG-G9	G-CAP-9-P	TPA-G9	RS	LS	MAL	CPA	MSEAL	RSEAL	-	-	-	77	76	75	74	73	72	-	70	69	68	-	66	65	64	63	62	61	SALEABLE		345650003	
											-	-	-	-	56	55	-	53	52	-	-	-	-	-	46	45	-	43	42	-				
											-	-	38	-	36	35	34	-	-	31	-	-	-	-	26	-	-	23	22	21				
											20	19	-	17	16	15	14	13	-	-	10	-	-	7	6	-	4	-	-	1				

ASSEMBLY DESCRIPTION	ASSEMBLY PART NUMBER	CONNECTOR HOUSING	GROMMET CAP	TPA	RIGHT SLIDE	LEFT SLIDE	MATE ASSIST LEVER	CPA	MAT SEAL	RING SEAL	BLOCKED TERMINALS																				STATUS	COMMENTS	INTEGRAL COMPONENTS SOLD SEPARATELY DRESS COVER																																														
											CAVITY WITH A NUMBER INDICATES BLOCKED TERMINAL POSITION CAVITY WITHOUT A NUMBER INDICATES OPEN TERMINAL POSITION																																																																				
											1	2	3	4	5	6	7	8	9	10	11	12	13	14	15	16	17	18	19	20			21	22	23	24	25	26	27	28	29	30	31	32	33	34	35	36	37	38	39	40	41	42	43	44	45	46	47	48	49	50	51	52	53	54	55	56	57	58	59	60	61	62	63	64	65	66	67
MX123 CONN ASSY 80 CKT BLU OPT9 KEY G/38	345669293	C-HSG-G9	G-CAP-9-P	TPA-G9	RS	LS	MAL	CPA	MSEAL	RSEAL	-	-	-	77	76	75	74	73	72	-	70	69	68	-	66	65	64	63	62	61	SALEABLE		345650003																																														
MX123 CONN ASSY 80 CKT BLU OPT9 KEY G/10	345669373	C-HSG-G9	G-CAP-9-P	TPA-G9	RS	LS	MAL	CPA	MSEAL	RSEAL	-	79	78	77	76	75	74	73	72	-	70	69	68	67	-	65	-	63	62	61	SALEABLE		345650003																																														
MX123 CONN ASSY 80 CKT GRY OPT9 KEY H/0	345669413	C-HSG-H9	G-CAP-9-P	TPA-H9	RS	LS	MAL	CPA	MSEAL	RSEAL	80	79	78	77	76	75	74	73	72	71	70	69	68	67	66	65	64	63	62	61	SALEABLE		345650003																																														
MX123 CONN ASSY 80 CKT BLU OPT0 KEY G/34	345669463	C-HSG-G0	G-CAP-0-P	TPA-G0	RS	LS	MAL	CPA	MSEAL	RSEAL	-	-	-	77	76	-	74	73	72	71	70	69	68	67	-	-	-	63	62	61	SALEABLE		345650003																																														
MX123 CONN ASSY 80 CKT BLU OPT0 KEY G/36	345669473	C-HSG-G0	G-CAP-0-P	TPA-G0	RS	LS	MAL	CPA	MSEAL	RSEAL	-	-	-	77	76	-	74	73	72	71	70	69	68	67	-	-	-	63	-	61	SALEABLE		345650003																																														
MX123 CONN ASSY 80 CKT BLU OPT0 KEY G/33	345669483	C-HSG-G0	G-CAP-0-P	TPA-G0	RS	LS	MAL	CPA	MSEAL	RSEAL	-	-	-	77	76	-	74	73	72	71	70	69	68	67	-	-	-	63	62	61	SALEABLE		345650003																																														
MX123 CONN ASSY 80 CKT BLU OPT0 KEY G/33	345669493	C-HSG-G0	G-CAP-0-P	TPA-G0	RS	LS	MAL	CPA	MSEAL	RSEAL	-	-	-	77	76	-	74	73	72	71	70	69	68	67	-	-	64	63	62	61	SALEABLE		345650003																																														
MX123 CONN ASSY 80 CKT BLU OPT0 KEY G/59	345669513	C-HSG-G0	G-CAP-0-P	TPA-G0	RS	LS	MAL	CPA	MSEAL	RSEAL	-	-	-	-	-	-	-	-	-	-	-	-	-	-	-	-	-	-	-	-	SALEABLE		345650003																																														
MX123 CONN ASSY 80 CKT BLU OPT0 KEY G/37	345669523	C-HSG-G0	G-CAP-0-P	TPA-G0	RS	LS	MAL	CPA	MSEAL	RSEAL	-	-	-	77	76	-	74	73	72	71	70	69	68	67	-	-	-	63	-	61	SALEABLE		345650003																																														
MX123 CONN ASSY 80 CKT BLU OPT9 KEY G/8	345669653	C-HSG-G9	G-CAP-9-P	TPA-G9	RS	LS	MAL	CPA	MSEAL	RSEAL	-	79	78	77	76	75	74	73	72	71	70	69	68	67	-	-	64	63	62	61	SALEABLE		345650003																																														
MX123 CONN ASSY 80 CKT BLU OPT0 KEY G/35	345669763	C-HSG-G0	G-CAP-0-P	TPA-G0	RS	LS	MAL	CPA	MSEAL	RSEAL	80	79	-	-	-	75	74	73	72	71	70	69	68	-	-	-	64	63	62	61	SALEABLE		345650003																																														

MX123 52/66/73/80-WAY RECEPTACLE ASSY SEALED PIN OUT SHEET



FOR ADDITIONAL INFORMATION SEE SD-34566-001

STATUS	GM PART #	HRNS CONN ASSY			TPA	GROMMET CAP																				
		MATERIAL/PART NUMBER	WIRE DRESS OPTION	KEY OPTION Fp	COLOR OPTION Fp	NUMBERS INDICATE CAVITIES OPEN FOR CIRCUITS																				
						Fp																				
SALEABLE	12672860	34566-0103	0	A	BLACK																					
SALEABLE	12672862	34566-0203	0	B	ST GRY	72	71	70	69	68	67	66	65	64	63	62	61	60	59	58	57	56	55	54	53	
SALEABLE	12672864	34566-0303	0	C	BLUE	52	51	50	49	48	47	46	45	44	43	42	41	40	39	38	37	36	35	34	33	
TOOL DES. REL.	12615660	34566-0403	0	D	BROWN	73					32	31	30	29	28	27	26	25	24	23	22	21	20	19	18	17
TOOL DES. REL.	12615661	34566-0503	0	E	GREEN	73					16	15	14	13	12	11	10	9	8	7	6	5	4	3	2	1
SALEABLE	12672866	34566-0603	0	F	NATURAL																					
SALEABLE	12672872	34566-0703	0	G	BLUE																					
SALEABLE	12672870	34566-0803	0	H	ST GRY	80	79	78	77	76	75	74	73	72	71	70	69	68	67	66	65	64	63	62	61	
TOOL DES. REL.	12672868	34566-0903	0	J	BLACK	60	61	62	63	64	65	66	67	68	69	70	71	72	73	74	75	76	77	78	79	
TOOL DES. REL.	TBD	34566-1003	0	K	BROWN	40	39	38	37	36	35	34	33	32	31	30	29	28	27	26	25	24	23	22	21	
TOOL DES. REL.	TBD	34566-1103	0	L	GREEN	20	19	18	17	16	15	14	13	12	11	10	9	8	7	6	5	4	3	2	1	
TOOL DES. REL.	TBD	34566-1203	0	M	NATURAL																					
SALEABLE	12672861	34566-1303	9	A	BLACK																					
SALEABLE	12672863	34566-1403	9	B	ST GRY	72	71	70	69	68	67	66	65	64	63	62	61	60	59	58	57	56	55	54	53	
SALEABLE	12672865	34566-1503	9	C	BLUE	52	51	50	49	48	47	46	45	44	43	42	41	40	39	38	37	36	35	34	33	
TOOL DES. REL.	12615663	34566-1603	9	D	BROWN	73					32	31	30	29	28	27	26	25	24	23	22	21	20	19	18	17
TOOL DES. REL.	12615664	34566-1703	9	E	GREEN	73					16	15	14	13	12	11	10	9	8	7	6	5	4	3	2	1
SALEABLE	12672867	34566-1803	9	F	NATURAL																					
SALEABLE	12672873	34566-1903	9	G	BLUE																					
SALEABLE	12672871	34566-2003	9	H	ST GRY	80	79	78	77	76	75	74	73	72	71	70	69	68	67	66	65	64	63	62	61	
TOOL DES. REL.	12672869	34566-2103	9	J	BLACK	60	61	62	63	64	65	66	67	68	69	70	71	72	73	74	75	76	77	78	79	
TOOL DES. REL.	TBD	34566-2203	9	K	BROWN	40	39	38	37	36	35	34	33	32	31	30	29	28	27	26	25	24	23	22	21	
TOOL DES. REL.	TBD	34566-2303	9	L	GREEN	20	19	18	17	16	15	14	13	12	11	10	9	8	7	6	5	4	3	2	1	
TOOL DES. REL.	TBD	34566-2403	9	M	NATURAL																					
SALEABLE	12672856	34822-0013	0	A	BLACK	64	63	62	61	60	59	58	57	56	55	54	53	52	51	50	49	66				
						48	47	46	45	44	43	42	41	40	39	38	37	36	35	34	33	66				
SALEABLE	12672858	34822-0033	0	C	BLUE	65					32	31	30	29	28	27	26	25	24	23	22	21	20	19	18	17
						65					16	15	14	13	12	11	10	9	8	7	6	5	4	3	2	1
SALEABLE	12672857	34822-0023	9	A	BLACK	64	63	62	61	60	59	58	57	56	55	54	53	52	51	50	49	66				
						48	47	46	45	44	43	42	41	40	39	38	37	36	35	34	33	66				
SALEABLE	12672859	34822-0043	9	C	BLUE	65					32	31	30	29	28	27	26	25	24	23	22	21	20	19	18	17
						65					16	15	14	13	12	11	10	9	8	7	6	5	4	3	2	1




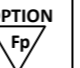

### MX123 52/66/73/80-WAY RECEPTACLE ASSY SEALED PIN OUT SHEET

STATUS	GM PART #	HRNS CONN ASSY			TPA	GROMMET CAP																																																				
		MATERIAL/PART	WIRE DRESS OPTION	KEY OPTION 	COLOR OPTION 	NUMBERS INDICATE CAVITIES OPEN FOR CIRCUITS																																																				
		NUMBER																																																								
TOOL DES. REL.	12672852	160094-0001	0	A	BLACK	<table border="1" style="width: 100%; border-collapse: collapse;"> <tr><td rowspan="2">52</td><td>14</td><td>13</td><td>12</td><td>11</td><td>10</td><td>9</td><td>8</td><td>7</td><td>6</td><td>5</td><td>4</td><td>3</td><td rowspan="2">2</td></tr> <tr><td>26</td><td>25</td><td>24</td><td>23</td><td>22</td><td>21</td><td>20</td><td>19</td><td>18</td><td>17</td><td>16</td><td>15</td></tr> <tr><td rowspan="2">51</td><td>38</td><td>37</td><td>36</td><td>35</td><td>34</td><td>33</td><td>32</td><td>31</td><td>30</td><td>29</td><td>28</td><td>27</td><td rowspan="2">1</td></tr> <tr><td>50</td><td>49</td><td>48</td><td>47</td><td>46</td><td>45</td><td>44</td><td>43</td><td>42</td><td>41</td><td>40</td><td>39</td></tr> </table>	52	14	13	12	11	10	9	8	7	6	5	4	3	2	26	25	24	23	22	21	20	19	18	17	16	15	51	38	37	36	35	34	33	32	31	30	29	28	27	1	50	49	48	47	46	45	44	43	42	41	40	39
52	14	13	12	11	10			9	8	7	6	5	4	3	2																																											
	26	25	24	23	22		21	20	19	18	17	16	15																																													
51	38	37	36	35	34		33	32	31	30	29	28	27	1																																												
	50	49	48	47	46		45	44	43	42	41	40	39																																													
TOOL DES. REL.	N/A	160094-0002	0	B	ST GRN																																																					
TOOL DES. REL.	12672854	160094-0003	0	C	BLUE																																																					
TOOL DES. REL.	N/A	160094-0004	0	D	BROWN																																																					
TOOL DES. REL.	N/A	160094-0005	0	E	GREEN																																																					
TOOL DES. REL.	N/A	160094-0006	0	F	NATURAL																																																					
TOOL DES. REL.	12672853	160094-0013	9	A	BLACK	<table border="1" style="width: 100%; border-collapse: collapse;"> <tr><td rowspan="2">52</td><td>14</td><td>13</td><td>12</td><td>11</td><td>10</td><td>9</td><td>8</td><td>7</td><td>6</td><td>5</td><td>4</td><td>3</td><td rowspan="2">2</td></tr> <tr><td>26</td><td>25</td><td>24</td><td>23</td><td>22</td><td>21</td><td>20</td><td>19</td><td>18</td><td>17</td><td>16</td><td>15</td></tr> <tr><td rowspan="2">51</td><td>38</td><td>37</td><td>36</td><td>35</td><td>34</td><td>33</td><td>32</td><td>31</td><td>30</td><td>29</td><td>28</td><td>27</td><td rowspan="2">1</td></tr> <tr><td>50</td><td>49</td><td>48</td><td>47</td><td>46</td><td>45</td><td>44</td><td>43</td><td>42</td><td>41</td><td>40</td><td>39</td></tr> </table>	52	14	13	12	11	10	9	8	7	6	5	4	3	2	26	25	24	23	22	21	20	19	18	17	16	15	51	38	37	36	35	34	33	32	31	30	29	28	27	1	50	49	48	47	46	45	44	43	42	41	40	39
52	14	13	12	11	10			9	8	7	6	5	4	3	2																																											
	26	25	24	23	22		21	20	19	18	17	16	15																																													
51	38	37	36	35	34		33	32	31	30	29	28	27	1																																												
	50	49	48	47	46		45	44	43	42	41	40	39																																													
TOOL DES. REL.	N/A	160094-0014	9	B	ST GRN																																																					
TOOL DES. REL.	12672855	160094-0015	9	C	BLUE																																																					
TOOL DES. REL.	N/A	160094-0016	9	D	BROWN																																																					
TOOL DES. REL.	N/A	160094-0017	9	E	GREEN																																																					
TOOL DES. REL.	N/A	160094-0018	9	F	NATURAL																																																					
NA	NA	NA	NA	NA	NA																																																					
SALEABLE	NOT APPLICABLE	34566-2503	0	A	BLACK	72	71		69	68	67	66		64	63	62		59				56					53																															
								50		48		46		44	43	42				39				36	35				33																													
						73			32		30	29		27				9	8					23				20		17																												
SALEABLE	NOT APPLICABLE	34566-2603	0	B	ST GRN				49	48	47		67	66	65		44				59					57		55		53																												
						73							29	28																																												
SALEABLE	NOT APPLICABLE	34566-2703	0	B	ST GRN				49	48	47		65								59						57		55		53																											
						73							29	28																																												
SALEABLE	TBD	34566-2803	0	H	ST GRN																																																					
SALEABLE	NOT APPLICABLE	34566-2903	0	A	BLACK	72	71	70	69	68	67	66		64	63	62	61		59											55	54	53																										
						52	51		49	48		46		44	43	42	41		39																																							
						73			32	31		29		27				25		23																																						
SALEABLE	NOT APPLICABLE	34566-3003	0	A	BLACK	72	71	70	69	68	67	66		64	63	62		60	59	58	57	56	55	54	53																																	
						52	51	50	49	48	47	46		44	43	42	41	40	39	38	37	36	35	34	33																																	
						73			32	31	30	29	28	27				25	24	23	22	21	20	19	18	17																																
SALEABLE	NOT APPLICABLE	34566-3103	0	B	ST GRN				49	48		46					62				59						57		55		53																											
						73							29				26																																									
SALEABLE	NOT APPLICABLE	34566-3203	0	B	ST GRN				50	49		46						60	59	58	57	56	55					53																														
						73							29																																													
SALEABLE	NOT APPLICABLE	34566-3303	0	B	ST GRN				50	49		46									59	58	57	56	55				53																													
						73							29																																													
SALEABLE	NOT APPLICABLE	34566-3403				SEE 34566-3003																																																				
SALEABLE	NOT APPLICABLE	34566-3503	0	A	BLACK	72	71		69	68	67	66		64	63	62		60	59																																							
						52			49	48		46		44	43	42																																										
73																																																										

MX123 52/66/73/80-WAY RECEPTACLE ASSY SEALED PIN OUT SHEET

STATUS	GM PART #	HRNS CONN ASSY			TPA	GROMMET CAP																					
		MATERIAL/PART	WIRE DRESS OPTION	KEY OPTION Fp	COLOR OPTION Fp	NUMBERS INDICATE CAVITIES OPEN FOR CIRCUITS Fp																					
		NUMBER																									
SALEABLE	NOT APPLICABLE	34566-3603	0	B	ST GRY				49	68				64					59		57		55		53		
										48			46						39		37			35			33
						73				32			29						23		21						18
SALEABLE	NOT APPLICABLE	34566-3703	0	A	BLACK					68	67	66	65					59					55		53		
								49	48	47			44					39						35		33	
						73							29	28					23								
SALEABLE	NOT APPLICABLE	34566-3803	0	A	BLACK	72	71		69	68	67	66		64	63	62			59				56		53		
								50		48		46		44	43	42			39				36	35		33	
						73				32			30	29			27			23					20		
SALEABLE	NOT APPLICABLE	34566-3903	0	B	ST GRY									65					59		57		55		53		
									49	48			46			44			39		37			35		33	
						73							29	28					24	23		21					
SALEABLE	NOT APPLICABLE	34566-4003	0	B	ST GRY						67	66		64	63			59		57		55		53			
								50	49	48				44	43			39		37			35		33		
						73				32			29			27			24	23		21					18
SALEABLE	NOT APPLICABLE	34566-4103	0	A	BLACK	72	71		69	68	67	66		64	63	62		60	59					35		33	
						52			49	48		46	45	44	43	42			40	39							33
						73				32			29			27	26		24	23							
SALEABLE	NOT APPLICABLE	34566-4203	0	B	ST GRY									64				59		57		55		53			
								50	49	48		46						39		37			35		33		
						73				32			29					24	23		21					18	
SALEABLE	NOT APPLICABLE	34566-4303	0	A	BLACK				70	69	68	67		65	64	63		61	59	58	57	56					
								50	49	48	47					41			38	37	36			34	33		
						73				32	31	30	29	28	27			24	23			20	19	18			1
SALEABLE	NOT APPLICABLE	34566-4403	0	A	BLACK	72	71		70	69	68	67	66	65	64	63		61	59	58	57	56					
								50	49	48	47					41			38	37	36			34	33		
						73				32	31	30	29	28	27			24	23			20	19	18			
SALEABLE	NOT APPLICABLE	34566-4503	0	H	ST GRY		79	78	77	76	75	74	73	72	71	70	69	68		66	65	64	63		61		
						60	59	58	57	56			53			50							44	43		41	
						40	39	38	37		35	34	33	32		30	29		27	26			24	23	22	21	
SALEABLE	NOT APPLICABLE	34566-4603	0	H	ST GRY		79	78	77	76	75	74	73	72	71	70	69	68		66	65	64	63		61		
						60	59	58	57	56			53			50							44	43		41	
						40	39	38	37		35	34	33	32		30	29		27	26					22	21	
SALEABLE	NOT APPLICABLE	34566-4703	0	B	ST GRY						67	66	65	64				59	58	57		55		53			
									49	48	47			44				39	38	37			35		33		
						73							29					23	22	21							
SALEABLE	NOT APPLICABLE	34566-4803	0	A	BLACK	72	71		69	68	67	66		64	63	62	61		59						53		
										48				44		42	41		39					35		33	
						73				32			29			27		25		23							17
SALEABLE	NOT APPLICABLE	34566-4903	0	A	BLACK									65	64	63	62	61		59	58	57	56	55	53		
								50	49		47			44	43			41			38	37	36	35	34	33	
						73				32	31	30	29	28	27			24	23			20	19	18	17		
SALEABLE	NOT APPLICABLE	34566-5003	0	H	ST GRY		79	78	77	76	75	74	73	72	71	70	69	68		66	65	64	63		61		
						60	59	58	57	56			53	52		50							44	43		41	
						40	39	38	37		35	34	33	32		30	29		27	26					22	21	

MX123 52/66/73/80-WAY RECEPTACLE ASSY SEALED PIN OUT SHEET

STATUS	GM PART #	HRNS CONN ASSY			TPA	GROMMET CAP																							
		MATERIAL/PART	WIRE DRESS OPTION	KEY OPTION		COLOR OPTION	NUMBERS INDICATE CAVITIES OPEN FOR CIRCUITS																						
		NUMBER																											
SALEABLE	NOT APPLICABLE	34566-5103	0	B	ST GRY					49	48	67	66	65	44							59		57		55		53	
						73				47	46			29	28							39		37		35		33	
						73																7							
SALEABLE	NOT APPLICABLE	34566-5203	0	A	BLACK	72	71		69	68	67	66		64	63	62					59	58	57	56		54	53		
						52	51	50	49	48	47	46		44	43	42					39	38	37	36	35	34	33		
						73						32	31	30	29			27				24	23	22	21	20	19	17	
						73						15	14	13	12	11				9	8	7	6	5	4	3	2	1	
SALEABLE	NOT APPLICABLE	34566-5303	0	B	ST GRY									65	64							59		57		55	53		
						50	49	48		46												39		37		35		33	
						73								29								23		21					
						73						15										7	6	5	4	3			
SALEABLE	NOT APPLICABLE	34566-5403	0	B	ST GRY									65								59	58	57	56	55	53		
						50	49	48		46	45											39	38	37		35	34	33	
						73								29								23	22	21			18		
						73				16	15	14										7	6	5	4	3			
SALEABLE	NOT APPLICABLE	34566-5503	0	A	BLACK	72	71		69	68	67	66		64	63	62					60	59					33		
						52			49	48		46		44	43	42					40	39				35	33		
						73						32			29			27	26		24	23					17		
						73								14	13	12	11	10	9	8	7	6	5	4	3	2	1		
SALEABLE	NOT APPLICABLE	34566-5603	SEE 34566-2503																										
SALEABLE	NOT APPLICABLE	34566-5703	0	B	ST GRY							68											59		57		55	53	
						49	48		46														39		37		35	33	
						73								29								23		21		18	17		
						73									12	11	10					7							
SALEABLE	NOT APPLICABLE	34566-5803	0	B	ST GRY									65									59		57		55	53	
						49	48	47															39		37		35	33	
						73								29								23		21		17			
						73									12							7							
SALEABLE	NOT APPLICABLE	34566-5903	0	A	BLACK	72	71		69	68	67	66		64	63	62					59						53		
										48				44	43	42							39				35	33	
						73						32			29			27				23					17		
						73									13	12	11			9	8			5	4	3	2	1	
SALEABLE	NOT APPLICABLE	34566-6003	0	B	ST GRY							67	66	65									59		57		55	53	
						49	48	47															39		37		35	33	
						73								29								23		21					
						73																7							
SALEABLE	NOT APPLICABLE	34566-6103	0	B	ST GRY							67	66	65									59		57		55	53	
						49	48	47															39		37		35	33	
						73								29				26				23		21					
						73													9			7							
SALEABLE	NOT APPLICABLE	34566-6203	0	A	BLACK		71	70	69	68				65	64	63						59		57	56			33	
						52	51	50	49			47												38	37	36		34	33
						73						32	31	30	29	28	27				24	23			20	19	18		
						73						16			13	12	11	10	9								1		
SALEABLE	NOT APPLICABLE	34566-6303	0	A	BLACK		71	70	69	68				65	64	63						59		57	56			33	
						52	51	50	49			47												38	37	36		34	33
						73						32	31	30	29	28	27				24	23			20	19	18		
						73						16			13	12	11	10	9								2	1	
SALEABLE	NOT APPLICABLE	34566-6403	0	A	BLACK		71		69	68				65	64	63						59	58		56			33	
						52		50	49			47												38	37	36		34	33
						73						32	31	30	29	28	27				24	23			20	19	18	17	
						73						16			13	12	11	10	9								1		
SALEABLE	NOT APPLICABLE	34566-6503	0	A	BLACK		71		69	68				65	64	63						59	58		56			33	
						52		50	49			47												38	37	36		34	33
						73						32	31	30	29	28	27				24	23			20	19	18	17	
						73						16			13	12	11	10	9								2	1	



MX123 52/66/73/80-WAY RECEPTACLE ASSY SEALED PIN OUT SHEET

STATUS	GM PART #	HRNS CONN ASSY			TPA	GROMMET CAP																									
		MATERIAL/PART	WIRE DRESS OPTION	KEY OPTION Fp	COLOR OPTION Fp	NUMBERS INDICATE CAVITIES OPEN FOR CIRCUITS																									
		NUMBER				Fp																									
SALEABLE	NOT APPLICABLE	34566-6603	0	H	ST GRAY																										
							79	78	77	76	75	74	73	72	71	70	69	68		66	65	64	63		61						
						60	59	58	57	56			53	52		50				27	26						22	21			
						40	39	38	37		35	34	33	32		30	29														
SALEABLE	NOT APPLICABLE	34566-6703	0	H	ST GRAY																										
							79	78	77	76	75	74	73	72	71	70	69	68		66	65	64	63		61						
						60	59	58	57	56			53			50							44	43							
						40	39	38	37		35	34	33	32		30	29			27	26										
SALEABLE	NOT APPLICABLE	34566-6803	0	B	ST GRAY																										
									49	48		46		44						39		37		35							
															65																
SALEABLE	NOT APPLICABLE	34566-6903	0	B	ST GRAY																										
									49	48		46																			
SALEABLE	NOT APPLICABLE	34566-7003	0	B	ST GRAY																										
									50	49	48	47																			
SALEABLE	NOT APPLICABLE	34566-7103	0	A	BLACK																										
							72	71	70	69	68	67	66		64	63	62		60	59											
										49	48					44	43	42		40	39										
SALEABLE	NOT APPLICABLE	34566-7203	0	B	ST GRAY																										
									72	71	70	69	68	67	66	65	64	63	62		60	59									
										49	48					44	43	42		40	39										
SALEABLE	NOT APPLICABLE	34566-7303	0	B	ST GRAY																										
									69	68		66																			
										49	48		46		44																
SALEABLE	NOT APPLICABLE	34566-7403	0	B	ST GRAY																										
									50	49	48		46																		
SALEABLE	NOT APPLICABLE	34566-7503	0	A	BLACK																										
							72	71	70	69	68	67	66		64	63	62		60	59	58	57	56	55	54	53					
							52	51	50	49	48	47	46		44	43	42		40	39	38	37	36	35	34	33					
SALEABLE	NOT APPLICABLE	34566-7603	0	B	ST GRAY																										
									69	68		66																			
										49	48		46		44																
SALEABLE	NOT APPLICABLE	34566-7703	0	A	BLACK																										
							72	71	70	69	68	67	66		64	63	62		60	59											
							52			49	48					44	43	42		40	39										
SALEABLE	NOT APPLICABLE	34566-7803	0	A	BLACK																										
							72	71	70		68		66		64	63	62	61	60	59											
							52			49	48		46		44	43	42		40	39											
SALEABLE	NOT APPLICABLE	34566-7903	0	B	ST GRAY																										
SALEABLE	NOT APPLICABLE	34566-8003	0	A	BLACK																										
									69	68			65	64	63		61	60	59	58											
							52		50	49	48	47							41		38	37	36		34	33					

**MX123 52/66/73/80-WAY RECEPTACLE ASSY SEALED PIN OUT SHEET**

STATUS	GM PART #	HRNS CONN ASSY			TPA	GROMMET CAP																												
		MATERIAL/PART	WIRE DRESS OPTION	KEY OPTION ▽ Fp		COLOR OPTION ▽ Fp	NUMBERS INDICATE CAVITIES OPEN FOR CIRCUITS ▽ Fp																											
		NUMBER																																
SALEABLE	NOT APPLICABLE	34566-8103	0	H	ST GRN			78							72	71	70	69	68			66	65	64	63			61						
						60	59	58	57	56				53	52					50					27	26			44	43			22	21
						40				37				35	34	33	32			30	29					8		6	5			3	2	
SALEABLE	NOT APPLICABLE	34566-8203	0	A	BLACK			70													58			56	55	54								
														47					44	43	42	41			39			37	36			34		
						73								31	30				27			25	24					21	20	19	18			
SALEABLE	NOT APPLICABLE	34566-8303	0	A	BLACK	72	71		69	68	67	66		64	63	62					59	58	57	56			54	53						
						52	51	50	49	48	47	46		44	43	42							39	38	37	36	35	34	33					
						73								32	31	30	29			27				24	23	22	21	20	19					17
SALEABLE	NOT APPLICABLE	34566-8403	0	B	ST GRN										65	64							59			57			55		53			
														50	49	48		46								39			37			35		33
						73										32			29							24	23			21				
SALEABLE	NOT APPLICABLE	34566-8503	0	B	ST GRN																													
						73										32			29															
SALEABLE	NOT APPLICABLE	34566-8603	0	A	BLACK				69	68		66		64										59			57			55		53		
										49	48		46		44											39	38	37			35			33
						73												29	28								23			21				18
SALEABLE	NOT APPLICABLE	34566-8703	0	B	ST GRN				69	68		66		64																				
						73												29	28															
SALEABLE	NOT APPLICABLE	34566-8803	0	B	ST GRN					68	67	66	65											59	58	57			54	53				
						73																												
SALEABLE	NOT APPLICABLE	34566-8903	0	H	ST GRN			78																										
						40				37				35	34	33	32																	22
SALEABLE	NOT APPLICABLE	34566-9003	0	B	ST GRN				69	68		66		64																				
						73																												
SALEABLE	NOT APPLICABLE	34566-9103	0	A	BLACK					68		65		63			61						59	58		56					53			
						52	51	50																										
						73																												
SALEABLE	NOT APPLICABLE	34566-9203	0	A	BLACK	72	71	70	69	68	67	66		64	63	62																		
						52				49	48																							
						73																												
SALEABLE	NOT APPLICABLE	34566-9303	0	A	BLACK				69	68	67	66		64	63	62																		
						73																												
SALEABLE	NOT APPLICABLE	34566-9403	0	B	ST GRN																													
						73																												
SALEABLE	NOT APPLICABLE	34566-9503	0	A	BLACK	72	71	70	69	68		65	64	63																				
						52	51			49																								
						73																												

MX123 52/66/73/80-WAY RECEPTACLE ASSY SEALED PIN OUT SHEET

STATUS	GM PART #	HRNS CONN ASSY			TPA	GROMMET CAP																					
		MATERIAL/PART	WIRE DRESS OPTION	KEY OPTION Fp	COLOR OPTION Fp	NUMBERS INDICATE CAVITIES OPEN FOR CIRCUITS																					
		NUMBER				Fp																					
SALEABLE	NOT APPLICABLE	34566-9603	0	A	BLACK	52	71	70	69	68		66	65	64	63		61		59	58	57	56					
								50	49		47								41			38	37	36	35	34	33
						73			32	31	30	29	28	27					24	23					20	19	18
SALEABLE	NOT APPLICABLE	34566-9703	0	A	BLACK	72	71	70	69	68			65	64	63		61		59		57	56					
						52	51	50	49		47							41			38	37	36			34	33
						73			32	31	30	29	28	27					24	23					20	19	18
SALEABLE	NOT APPLICABLE	34566-9803	0	A	BLACK	72	71	70	69	68			65	64	63		61		59		57	56					
						52	51	50	49		47							41			38	37	36			34	33
						73			32	31	30	29	28	27					24	23					20	19	18
SALEABLE	NOT APPLICABLE	34566-9903	0	A	BLACK		71		69	68			65	64	63		61		59	58	57	56					
						52		50	49		47							41			38	37	36			34	33
						73			32	31	30	29	28	27					24	23					20	19	18
SALEABLE	NOT APPLICABLE	34566-1013	0	A	BLACK		71		69	68			65	64	63		61		59	58	57	56					
						52		50	49		47							41			38	37	36			34	33
						73			32	31	30	29	28	27					24	23					20	19	18
SALEABLE	NOT APPLICABLE	34566-1023	0	A	BLACK			70		68			66	65					58	57		55	54				
								50	49		47			44	43	42	41		39			37		35			
						73			32		30			27		25	24				21	20	19	18	17		
SALEABLE	NOT APPLICABLE	34566-1033	0	A	BLACK			70		67	66	65						58	57		55	54					
								50	49		47			44	43	42	41		39			37		35			
						73			32		30			27		26	25	24			21	20	19	18	17		
SALEABLE	NOT APPLICABLE	34566-1043	0	B	ST GRAY		71	70		68		66	65					59	58	57			54	53			
							51	50	49	48		46	45		43		41	40	39	38	37	36	35				
						73			32	31	30							24	23	22		20					
SALEABLE	NOT APPLICABLE	34566-1053	0	H	ST GRAY		79	78	77	76	75	74	73	72	71	70	69	68		66	65	64	63		61		
						60	59	58	57	56			53	52		50						44	43				
						40	39	38	37		35	34	33	32		30	29		27	26						22	21
SALEABLE	NOT APPLICABLE	34566-1063	0	B	ST GRAY								65				60	59		57	56	55		53			
									49	48	47			44				40	39		37	36	35				
						73						29	28					24	23		21						
SALEABLE	NOT APPLICABLE	34566-1073	0	A	BLACK	72	71	70	69	68	67	66	65	64	63		61		59	58	57	56			54		
								50	49	48	47							42	41		38	37	36			34	33
						73			32	31	30	29	28	27	26			24	23					20	19	18	
SALEABLE	NOT APPLICABLE	34566-1083	0	B	ST GRAY					68	67	66	65	64				59	58	57			55	54	53		
							51	50	49	48		46	45		43	42	41	40	39	38	37		35				
						73			32	31	30			26		24	23	22		20							
SALEABLE	NOT APPLICABLE	34566-1093	0	A	BLACK			70		68	67	66						58		56	55	54					
									49		47			44	43	42	41		39		37	36			34		
						73				31	30			27		25	24				21	20	19	18			
SALEABLE	NOT APPLICABLE	34566-1123	0	H	ST GRAY			78					72	71	70	69	68	67	66	65	64	63		61			
								58	57	56			53	52	51	50						44	43				
						40			37		35	34	33	32		30	29		27	26						22	21
SALEABLE	NOT APPLICABLE	34566-1133	0	A	BLACK			70		68	67	66				61		58	57		55	54					
									49		47		45	44	43	42	41		39		37			34			
						73			32		30			27		25	24				21	20	19	18			

MX123 52/66/73/80-WAY RECEPTACLE ASSY SEALED PIN OUT SHEET

STATUS	GM PART #	HRNS CONN ASSY			TPA	GROMMET CAP																						
		MATERIAL/PART	WIRE DRESS OPTION	KEY OPTION Fp	COLOR OPTION Fp	NUMBERS INDICATE CAVITIES OPEN FOR CIRCUITS																						
		NUMBER				Fp																						
SALEABLE	NOT APPLICABLE	34566-1143	0	A	BLACK	52		50		68			65		63		61		59	58		56			53			
										32	31	30	29	28	27		25	24	23	22	21	20	19	18	17			
						73			16	15	14	13	12	11	10	9												1
SALEABLE	NOT APPLICABLE	34566-1153	0	A	BLACK			70				67	66	65					58	57		55						
								49				47			44	43	42	41		39		37						
						73			32			30			27		25	24	23		21	20	19	18				
SALEABLE	NOT APPLICABLE	34566-1163	0	H	ST GRAY			78						72	71	70	69	68		66	65	64	63		61			
						60	59	58	57	56			53	52		50								44	43		41	
						40			37		35	34		32		30	29		27	26							22	21
SALEABLE	NOT APPLICABLE	34566-1173	0	A	BLACK	20	19	18	17	16			13	12				8		6	5		3	2				
						72	71		69	68			65	64	63	62	61	60	59	58		56		54				
						52		50	49	48	47		45			42	41		39	38	37	36		34	33			
SALEABLE	NOT APPLICABLE	34566-1183	0	B	ST GRAY	73			32	31	30	29	28	27	26		24	23										
SALEABLE	NOT APPLICABLE	34566-1193	0	A	BLACK				49	48	47			44		42			39		37		35			33		
						73							29	28					23		21							17
SALEABLE	NOT APPLICABLE	34566-1213	0	A	BLACK	72	71		69	68	67	66		64	63	62		60	59						54	53		
						52			49	48		46		44	43	42			39								34	33
						73			32			29			27				23									
SALEABLE	NOT APPLICABLE	34566-1223	0	B	ST GRAY	72	71		69	68	67	66		64	63	62		59							54	53		
						52			49	48		46		44	43	42			39								34	33
						73			32			29			27				23									
SALEABLE	NOT APPLICABLE	34566-1233	0	B	ST GRAY																							
SALEABLE	NOT APPLICABLE	34566-1243	0	B	ST GRAY																							
SALEABLE	NOT APPLICABLE	34566-1253	9	B	ST GRAY																							
SALEABLE	NOT APPLICABLE	34566-1263	9	A	BLACK	NUMBERS IN BOLD MUST USE SAE WIRE MEETING SAE J1128, WIRE SIZE (NO.20) OR (NO.18 MAX. O.D. OF 2.06 MM) PER G.M. DRAWING NUMBER 12582682.																						
						72	71		69	68	67	66		64	63	62		59				56					53	
								50		48		46		44	43	42			39				36	35				
SALEABLE	NOT APPLICABLE	34566-1273	0	A	BLACK	73			32		30	29		27		24	23		20					17				
SALEABLE	NOT APPLICABLE	34566-1283	0	A	BLACK			70	69	68			65	64	63		61		59	58	57	56				54		
						52		50	49	48	47					41			38	37	36		34	33				
						73			32	31	30	29	28	27		24	23											

MX123 52/66/73/80-WAY RECEPTACLE ASSY SEALED PIN OUT SHEET

STATUS	GM PART #	HRNS CONN ASSY			TPA	GROMMET CAP																					
		MATERIAL/PART	WIRE DRESS OPTION	KEY OPTION Fp	COLOR OPTION Fp	NUMBERS INDICATE CAVITIES OPEN FOR CIRCUITS																					
		NUMBER				Fp																					
SALEABLE	NOT APPLICABLE	34566-1293	0	A	BLACK	52		50		68			65		63		61		59	58		56			34	33	
						73				32	31	30	29	28	27			24	23			20	19	18	17		
						73				16			13	12	11	10	9									1	
SALEABLE	NOT APPLICABLE	34566-1313	0	H	ST GRY	80		78						72	71	70	69	68		66	65	64	63		61		
								58	57	56	55	54	53								46		44	43	42		
						40			37		35				32		30	29		27	26						
SALEABLE	NOT APPLICABLE	34566-1323	0	A	BLACK	72	71	70	69	68	67	66	65	64	63	62		60	59	58	57	56	55	54	53		
						52	51	50	49	48	47	46	45	44	43	42	41	40	39	38	37	36	35	34	33		
						73				32	31	30	29	28	27			25	24	23	22	21	20	19	18	17	
SALEABLE	NOT APPLICABLE	34566-1333	0	A	BLACK			70	69	68			65	64				59	58		56						
						52		50	49		47					41			38	37	36			34			
						73				32	31	30	29	28	27			23									
SALEABLE	NOT APPLICABLE	34566-1343	0	A	BLACK	72	71		69		67		65	64	63				59	58	57	56					
								50	49	48	47					41			38	37	36			34			
						73				32	31	30	29	28	27			23									
SALEABLE	NOT APPLICABLE	34566-1353	0	H	ST GRY		79	78	77	76	75	74	73	72	71	70	69	68		66	65	64	63		61		
						60	59	58	57	56			53			50								44	43		41
						40	39	38	37		35	34			32		30	29		27	26						22
SALEABLE	NOT APPLICABLE	34566-1363	0	A	BLACK	72	71		69	68	67	66		64	63	62			59							53	
										48		46		44	43	42			39								33
						73				32			29		27			24	23								
SALEABLE	NOT APPLICABLE	34566-1373	0	B	ST GRY							66	65			62		59		57		55		53			
										48		46			42		39		37		35		33				
						73							29		26		23		21								17
SALEABLE	NOT APPLICABLE	34566-1383	0	B	ST GRY				49	48	47	46					59	58	57		55		53				
												29					23	22	21							33	
						73								12				7									17
SALEABLE	NOT APPLICABLE	34566-1393	0	A	BLACK			70			67	66				61		58	57		55	54					
										47		45	44	43	42	41		39		37				34			
						73				32		30			27		25	24			21	20	19	18			
SALEABLE	NOT APPLICABLE	34566-1423	0	B	ST GRY					68	67	66	65			61	60	59	58	57			54	53			
							51	50	49	48	47	46	45		43	42	41	40	39	38	37		35	34	33		
						73				32	31	30			26		24	23	22	21	20						
SALEABLE	NOT APPLICABLE	34566-1433	0	B	ST GRY							66		64				59		57		55		53			
									49	48		46					39		37		35		33				
						73				32			29				23		21					18	17		
SALEABLE	NOT APPLICABLE	34566-1443	0	B	ST GRY				69	68		66					59		57		55		53				
									49	48		46					39		37		35		33				
						73							29				23		21								17
SALEABLE	NOT APPLICABLE	34566-1453	0	B	ST GRY				49	48	47			66	65	64		62		59		57		55	53		
												29	28		26		23		21							33	
						73								12			9		7								17
SALEABLE	NOT APPLICABLE	34566-1463	0	A	BLACK				69	68			65	64	63	62	61	60	59	58		56			34	33	
						52		50	49	48	47		45				41			38	37	36					
						73				32	31	30	29	28	27			24	23					20	19	18	17

MX123 52/66/73/80-WAY RECEPTACLE ASSY SEALED PIN OUT SHEET

STATUS	GM PART #	HRNS CONN ASSY			TPA	GROMMET CAP																					
		MATERIAL/PART	WIRE DRESS OPTION	KEY OPTION Fp	COLOR OPTION Fp	NUMBERS INDICATE CAVITIES OPEN FOR CIRCUITS																					
		NUMBER				Fp																					
SALEABLE	NOT APPLICABLE	34566-1473	0	A	BLACK	72	71		69	68	67	66		64	63	62			59					54	53		
						52			49	48		46		44	43	42			39							34	33
						73						32			29		27			24	23						
SALEABLE	NOT APPLICABLE	34566-1483	0	A	BLACK	72	71		69	68				65	64	63		61		59	58		56				
						52		50	49		47						41			38	37	36			34	33	
						73				32	31	30	29	28	27			24	23			20	19	18	17		
SALEABLE	NOT APPLICABLE	34566-1493	0	B	ST GRAY					68								59	58	57		55		53			
									49	48		46							39	38	37		35			33	
						73							29					23	22	21					18	17	
SALEABLE	NOT APPLICABLE	34566-1513	0	B	ST GRAY								65					59		57		55		53			
									49	48		46						39		37		35			33		
						73							29					23		21						17	
SALEABLE	NOT APPLICABLE	34566-1523	0	A	BLACK			70	69	68			65	64				59	58		56		54				
						52		50	49		47					42	41			38	37	36			34		
						73				32	31	30	29	28	27	26			23			20	19	18	17		
SALEABLE	NOT APPLICABLE	34566-1533	0	A	BLACK	72	71	70	69	68								59	58	57	56			54			
						52	51	50	49		47							41			38	37	36			34	33
						73				32	31	30	29	28	27			24	23					20	19	18	17
SALEABLE	NOT APPLICABLE	34566-1543	0	B	ST GRAY				69	68		66						59		57		55		53			
									49	48		46						39		37		35			33		
						73							29					23		21							
SALEABLE	12582677	34566-1553	0	A	BLACK																						
						73																					
TOOL DESIGN SALEABLE	NOT APPLICABLE	34566-1563	9	A	BLACK																						
						73																					
TOOL DESIGN SALEABLE	NOT APPLICABLE	34566-1573	9	H	ST GRAY																						
						73																					
SALEABLE	NOT APPLICABLE	34566-1583	0	A	BLACK			70			67	66	65				61		58	57		55	54				
									49		47		45	44	43	42	41		39		37			34			
						73				32		30			27		25	24			21	20	19	18	17		
SALEABLE	NOT APPLICABLE	34566-1593	0	B	ST GRAY					67		65				61	60	59	58	57		54	53				
							51	50	49	48	47	46	45		43	42		40	39		37			34	33		
						73				32	31	30				26		24	23	22	21	20					
SALEABLE	NOT APPLICABLE	34566-1613	0	H	ST GRAY		79	78	77	76	75	74	73	72	71	70	69	68		66	65	64	63		61		
						60	59	58	57	56			53			50							44	43		41	
						40	39	38	37		35	34	33	32		30	29		27	26			24	23	22	21	
SALEABLE	NOT APPLICABLE	34566-1623	0	B	ST GRAY							66	65			62		59		57		55		53			
										48	47				42			39		37		35			33		
						73							29			26			23		21						17
SALEABLE	NOT APPLICABLE	34566-1633	0	B	ST GRAY				69	68		66						59		57		55		53			
								50		48	47							39		37		35			33		
						73							29			12	11	10			23		21				17

MX123 52/66/73/80-WAY RECEPTACLE ASSY SEALED PIN OUT SHEET

STATUS	GM PART #	HRNS CONN ASSY			TPA	GROMMET CAP																								
		MATERIAL/PART	WIRE DRESS OPTION	KEY OPTION Fp	COLOR OPTION Fp	NUMBERS INDICATE CAVITIES OPEN FOR CIRCUITS																								
		NUMBER				Fp																								
SALEABLE	NOT APPLICABLE	34566-1643	0	B	ST GRY				69	68		66							59		57		55		53					
								50		48		46									39		37		35		33			
						73									29							23		21				17		
SALEABLE	NOT APPLICABLE	34566-1653	0	B	ST GRY							66							59		57		55		53					
								50		48		46									39		37		35		33			
						73									15				12	11	10			7	6	5	4	3		
SALEABLE	NOT APPLICABLE	34566-1663	0	B	ST GRY							66							59		57		55		53					
								50		48		46									39		37		35		33			
						73																29		23		21		17		
SALEABLE	NOT APPLICABLE	34566-1673	0	A	BLACK	72	71	70	69	68	67	66	65	64	63	62		60	59					55	54	53				
						52			49	48			45	44	43	42	41	40	39								35	34	33	
						73											29			27			25	24	23			19	18	17
SALEABLE	NOT APPLICABLE	34566-1683	0	B	ST GRY							67	66			63			59	58	57	56	55		53					
								50	49	48											39	38	37	36	35		33			
						73																29		27		23	22	21		
SALEABLE	NOT APPLICABLE	34566-1693	0	B	ST GRY							66		64					59		57		55		53					
								49	48		46										39		37		35		33			
						73																32		29		23		21		
SALEABLE	NOT APPLICABLE	34566-1713	0	B	ST GRY																									
							71	70		68		66	65	64	63			60	59	58	57	56	55	54	53					
							51	50	49	48		46	45		43		41	40	39	38	37	36	35					33		
SALEABLE	NOT APPLICABLE	34566-1723	0	B	ST GRY																									
							71	70		68		66	65				60	59	58	57							54	53		
							51	50	49	48		46	45		43		41	40	39	38	37	36	35					33		
SALEABLE	NOT APPLICABLE	34566-1733	0	A	BLACK			70		68	67	66	65						58	57		55								
								49		47			44	43	42	41		39		37		35								
						73																32		30		27		25	24	
SALEABLE	NOT APPLICABLE	34566-1743	0	A	BLACK			70		67	66	65						58	57		55									
								49		47			44	43	42	41		39		37		35								
						73																32		30		27		25	24	
SALEABLE	NOT APPLICABLE	34566-1753	0	A	BLACK			70		67	66	65						58	57		55									
								49		47			44	43	42	41		39		37		35								
						73																32		30		27		25	24	
SALEABLE	NOT APPLICABLE	34566-1763	0	B	ST GRY					67		65					61	60	59	58	57			54	53					
							51	50	49	48	47	46	45		43			40	39		37					34	33			
						73																32		31	30		26		24	23
SALEABLE	NOT APPLICABLE	34566-1773	0	C	BLUE	72		70				67	66			63	62			59		57				53				
						52	51					46		44		42		40	39								34	33		
						73																	30				27	26	25	
SALEABLE	NOT APPLICABLE	34566-1783	0	C	BLUE							67	66			63	62			59		57				53				
							51	70				46		44		42		40	39									34	33	
						73																	30				26	25		22
SALEABLE	NOT APPLICABLE	34566-1793	0	A	BLACK				69							63	62	61			58	57	56	55	54	53				
						52	51		49					44	43	42	41									37	36	35	34	33
						73																	32				29	28	27	26

MX123 52/66/73/80-WAY RECEPTACLE ASSY SEALED PIN OUT SHEET

STATUS	GM PART #	HRNS CONN ASSY			TPA	GROMMET CAP																				
		MATERIAL/PART	WIRE DRESS OPTION	KEY OPTION Fp	COLOR OPTION Fp	NUMBERS INDICATE CAVITIES OPEN FOR CIRCUITS																				
		NUMBER				Fp																				
SALEABLE	NOT APPLICABLE	34566-1813	0	B	ST GRAY	72	71	70		68	67	66				62	61	60	59	58	57	56	55	54	53	
						52	51	50		48	47	46				42	41	40	39	38	37	36	35	34	33	
						73				32	31	30	29	28	27	26	25	24	23							
SALEABLE	NOT APPLICABLE	34566-1823	0	A	BLACK	72	71	70	69	68		66	65	64			61		59	58		56		54	53	
						52		50	49		47					42	41			38	37	36		34	33	
						73				32	31	30	29	28	27	26		24	23	22	21	20	19	18	17	
SALEABLE	NOT APPLICABLE	34566-1833	0	A	BLACK					68		65		63		61		59	58		56					
						52		50			47					41			38	37	36		34	33		
						73				32	31	30	29	28	27		25	24	23		20	19	18	17		
SALEABLE	NOT APPLICABLE	34566-1843	0	A	BLACK					68		65		63		61		59	58		56			53		
						52		50			47					41			38	37	36		34	33		
						73				32	31	30	29	28	27		25	24	23		20	19	18	17		
SALEABLE	NOT APPLICABLE	34566-1853	0	A	BLACK			70	69	68	67		65		63		61	60			57	56	55	54	53	
						52		50	49	48	47			44	43		41	40			37	36	35	34	33	
						73						30	29	28			25	24		21	20	19	18	17		
SALEABLE	NOT APPLICABLE	34566-1863	0	B	ST GRAY					68	67		65	64	63											
											46	45		43												
						73				32		30	29	28	27											
SALEABLE	NOT APPLICABLE	34566-1873	0	C	BLUE	72		70			67	66			63	62			59		57			53		
						52	51					46		44		42		40	39						34	33
						73				32		30			27	26	25		22	21	20					
SALEABLE	NOT APPLICABLE	34566-1883	0	A	BLACK			70		68	67	66	65					58	57		55					
								49		47			44	43	42	41	40	39		37		35				
						73				32		30			27		25	24		21	20	19	18	17		
SALEABLE	NOT APPLICABLE	34566-1893	0	C	BLUE			70				66			63			59		57				53		
						52	51				46		44		42		40	39							34	33
						73				32		30			27	26	25		22	21	20					
SALEABLE	NOT APPLICABLE	34566-1913	0	B	ST GRAY	72		70		68		66					60	59					55	54	53	
						52		50		48		46					40	39						35	34	33
						73				32	31	30	29	28	27	26	25	24								
SALEABLE	NOT APPLICABLE	34566-1923	0	A	BLACK				69						63				58		56	55	54	53		
						52	51		49				44	43	42	41						36	35	34	33	
						73				32				28		26							19	18		
SALEABLE	NOT APPLICABLE	34566-1933	0	A	BLACK			70			67	66	65					58	57		55					
								49		47			44	43	42	41	40	39		37		35				
						73				32		30			27		25	24		21	20	19	18	17		
SALEABLE	NOT APPLICABLE	34566-1943	0	A	BLACK			70			67	66	65					58	57		55					
							51		49		47			44	43	42	41	40	39		37		35			
						73				32		30			27		25	24		21	20	19	18	17		
SALEABLE	NOT APPLICABLE	34566-1953	0	C	BLUE			70				66			63			59		57				53		
						52	51			48	47	46		44		42		40	39						34	33
						73						30			26	25		22	21	20						
SALEABLE	NOT APPLICABLE	34566-1963	0	C	BLUE			70				66			63			59		57				53		
						52	51				46		44		42		40	39						34	33	
						73						30			26	25		22	21	20						



MX123 52/66/73/80-WAY RECEPTACLE ASSY SEALED PIN OUT SHEET

Table with columns: STATUS, GM PART #, HRNS CONN ASSY (MATERIAL/PART NUMBER, WIRE DRESS OPTION, KEY OPTION, COLOR OPTION), TPA, GROMMET CAP (NUMBERS INDICATE CAVITIES OPEN FOR CIRCUITS). Rows include part numbers like 34566-1973, 34566-1983, 34566-1993, 34566-2013, 34566-2023, 34566-2033, 34566-2043, 34566-2053, 34566-2063, 34566-2073, 34566-2083, 34566-2093, 34566-2113, 34566-2123, 34566-2133.

MX123 52/66/73/80-WAY RECEPTACLE ASSY SEALED PIN OUT SHEET

STATUS	GM PART #	HRNS CONN ASSY			TPA	GROMMET CAP																					
		MATERIAL/PART	WIRE DRESS OPTION	KEY OPTION Fp	COLOR OPTION Fp	NUMBERS INDICATE CAVITIES OPEN FOR CIRCUITS																					
		NUMBER				Fp																					
SALEABLE	NOT APPLICABLE	34566-2143	0	B	ST GRY	71	70					65				60	59	58	57			54	53				
						51	50	49	48		46	45		43		41	40	39		37	36	35			33		
						73			32	31	30					24	23	22		20							
SALEABLE	NOT APPLICABLE	34566-2153	0	A	BLACK			70		68	67	66	65					58	57		55						
								49		47			44	43	42	41		39		37							
						73			32		30			27		25	24	23		21	20	19	18				
SALEABLE	NOT APPLICABLE	34566-2163	0	A	BLACK			70			67	66				61		58		55	54						
								49		47		45	44	43	42	41		39		37							
						73			32					27		24			21	20	19	18	17				
SALEABLE	NOT APPLICABLE	34566-2173	0	A	BLACK			70			67	66	65			61		58		55	54						
								49		47		45	44	43	42	41		39		37							
						73			32		30			27		25	24		21	20	19	18	17				
SALEABLE	NOT APPLICABLE	34566-2183	0	A	BLACK			70			67	66					58	57		55							
								49		47			44	43	42	41		39		37							
						73			32					27		24			21	20	19	18	17				
SALEABLE	NOT APPLICABLE	34566-2193	0	A	BLACK			70			67	66	65				58	57		55							
								49		47			44	43	42	41		39		37							
						73			32		30			27		25	24		21	20	19	18	17				
SALEABLE	NOT APPLICABLE	34566-2213	9	H	ST GRY		79	78	77	76	75	74	73	72	71	70	69	68		66	65	64	63		61		
						60	59	58	57	56			53			50							44	43		41	
						40	39	38	37		35	34	33	32		30	29		27	26			24	23	22	21	
SALEABLE	NOT APPLICABLE	34566-2223	0	A	BLACK																						
						20	19	18	17			14	13	12	11	10	9	8		6	5		3	2			
						72	71	70	69	68	67	66		64	63	62		60	59				55	54	53		
SALEABLE	NOT APPLICABLE	34566-2233	0	A	BLACK	52			49	48		46		44	43	42		40	39			35	34	33			
						73			32			29		27		24	23			19	18	17					
									69						63					58		56		54			
SALEABLE	NOT APPLICABLE	34566-2243	0	H	ST GRY	52	51		49					44	43	42	41				36	35	34	33			
						73			32				28		26							19	18				
									69						63	62	61			58	57	56	55	54	53		
SALEABLE	NOT APPLICABLE	34566-2253	0	A	BLACK																						
						72	71	70	69	68		66	65	64	63		61		59	58		56		54	53		
						52		50	49		47					42	41			38	37	36		34	33		
SALEABLE	NOT APPLICABLE	34566-2263	0	A	BLACK																						
						73			32				28		26								19	18			
									69						63	62	61			58	57	56	55	54	53		
SALEABLE	NOT APPLICABLE	34566-2273	0	A	BLACK	52	51	50	49					44	43	42	41				37	36	35	34	33		
						73			32			29	28	27	26								19	18			
									69						63	62	61			58	57	56	55	54	53		
SALEABLE	NOT APPLICABLE	34566-2283	0	B	ST GRY				49	48	67	66	65	64	63												
						73			32		30	29	28	27													17
									69						63	62	61			58	57	56	55	54	53		
SALEABLE	NOT APPLICABLE	34566-2293	0	C	BLUE	72		70		68		66			63				59		57			53			
						52	51			48	47	46		44		42		40	39						34	33	
						73					30				26	25			22	21							



MX123 52/66/73/80-WAY RECEPTACLE ASSY SEALED PIN OUT SHEET

STATUS	GM PART #	HRNS CONN ASSY			TPA	GROMMET CAP																						
		MATERIAL/PART	WIRE DRESS OPTION	KEY OPTION Fp	COLOR OPTION Fp	NUMBERS INDICATE CAVITIES OPEN FOR CIRCUITS																						
		NUMBER				Fp																						
SALEABLE	NOT APPLICABLE	34566-2473	0	A	BLACK			70		68	67	66	65						58	57		55						
								49			47		30			44	43	42	41		39			35				
						73				32							27		25	24			21	20	19	18	17	
SALEABLE	NOT APPLICABLE	34566-2483	0	A	BLACK				69							63	62	61			58	57	56	55	54	53		
						52	51		49					44	43	42	41				37	36	35	34	33			
						73				32				29	28	27	26			23					19	18		
SALEABLE	NOT APPLICABLE	34566-2493 SAME AS P/N 34566-3863	0	B	ST GRN	72	71	70		68	67	66				62	61	60	59	58	57	56	55	54	53			
						52	51	50		48	47	46				42	41	40	39	38	37	36	35	34	33			
						73				32	31	30	29	28	27	26	25	24										17
SALEABLE	NOT APPLICABLE	34566-2513	0	C	BLUE	72		70		68	67	66			63	62			59		57				53			
						52	51			48	47	46		44		42		40	39							34	33	
						73				32		30				27	26	25				22	21	20				
SALEABLE	NOT APPLICABLE	34566-2523	0	A	BLACK	72	71	70	69	68	67	66	65	64	63	62		60	59					55	54	53		
						52			49	48			45	44	43	42	41	40	39							35	34	33
						73				32				29	28	27		25	24	23							19	18
SALEABLE	NOT APPLICABLE	34566-2533	0	B	ST GRN						67	66	65		63				59	58	57	56	55	54	53			
								50	49	48		46	45		43				39	38	37	36	35	34	33			
						73								29		27				23	22	21					18	
SALEABLE	NOT APPLICABLE	34566-2543	0	C	BLUE	72		70				66			63			59		57					53			
						52	51					46		44		42		40	39							34	33	
						73				32		30				27	26	25			22	21						
SALEABLE	NOT APPLICABLE	34566-2553	9	B	ST GRN	72	71	70		68	67	66				62	61	60	59	58	57	56	55	54	53			
						52	51	50		48	47	46				42	41	40	39	38	37	36	35	34	33			
						73				32	31	30	29	28	27	26	25	24	23									
SALEABLE	NOT APPLICABLE	34566-2563	9	A	BLACK				69						63	62	61			58	57	56	55	54	53			
						52	51	50	49					44	43	42	41		39			37	36	35	34	33		
						73				32				29	28	27	26									19	18	
SALEABLE	NOT APPLICABLE	34566-2573	9	C	BLUE	72		70			67	66			63	62			59		57				53			
						52	51					46		44		42		40	39							34	33	
						73						30				27	26	25			22	21	20					
SALEABLE	NOT APPLICABLE	34566-2583	0	A	BLACK				69						63					58	57	56	55	54	53			
						52	51	50	49					44	43	42	41		39						36	35	34	33
						73				32				28		26											19	18
SALEABLE	NOT APPLICABLE	34566-2593	0	C	BLUE	72		70				66			63	62			59		57				53			
						52	51					46		44		42		40	39							34	33	
						73				32		30				27	26	25			22	21						
SALEABLE	NOT APPLICABLE	34566-2613	9	C	BLUE	72		70			67	66			63	62			59		57				53			
						52	51					46		44		42		40	39							34	33	
						73						30				27	26	25			22	21	20					
SALEABLE	NOT APPLICABLE	34566-2623	0	A	BLACK		71		69	68	67		65	64	63		61		59		57	56						
								50	49		47					41			38	37	36					34	33	
						73				32	31	30	29	28	27		24	23									20	19
SALEABLE	NOT APPLICABLE	34566-2633	0	A	BLACK		71		69	68	67		65	64			61		59		57	56						
								50	49		47					41			38	37	36						33	
						73				32	31	30	29	28	27		24	23									20	19



MX123 52/66/73/80-WAY RECEPTACLE ASSY SEALED PIN OUT SHEET

STATUS	GM PART #	HRNS CONN ASSY			TPA	GROMMET CAP																					
		MATERIAL/PART	WIRE DRESS OPTION	KEY OPTION Fp	COLOR OPTION Fp	NUMBERS INDICATE CAVITIES OPEN FOR CIRCUITS																					
		NUMBER				Fp																					
SALEABLE	NOT APPLICABLE	34566-2813	9	B	ST GRAY	72	71	70	69	68	67	66	65	64		62	61	60	59	58	57	56	55	54			
						52	51	50	49	48		46		44				40				37	36				
						73				32	31	30	29	28	27		25	24				21	20			18	
SALEABLE	NOT APPLICABLE	34566-2823	0	A	BLACK						67	66															
																41											
						73				32	31	30	29		27		25			22	21			19	18	17	
SALEABLE	NOT APPLICABLE	34566-2833	0	B	ST GRAY	72	71	70	69	68	67	66	65			61	60				57	56	55	54			
						52	51	50	49	48		46		44				40				37	36				
						73				32	31	30	29	28	27			24			21	20	19	18	17		
SALEABLE	NOT APPLICABLE	34566-2843	0	A	BLACK						67	66															
																41											
						73				32	31	30	29		27		25			22	21			19	18	17	
SALEABLE	NOT APPLICABLE	34566-2853	0	B	ST GRAY	72	71	70	69	68	67	66	65	64	63		61	60				57	56	55	54		
						52	51	50	49	48		46		44				40				37	36				
						73				32	31	30	29	28	27			24			21	20	19	18	17		
SALEABLE	NOT APPLICABLE	34566-2863	0	A	BLACK						67	66															
																	41										
						73				32	31	30	29		27		25			22	21			19	18	17	
SALEABLE	NOT APPLICABLE	34566-2873	0	B	ST GRAY	72	71	70	69	68	67	66							59	58	57	56	55	54			
						52	51	50	49	48	47							40				39	38	37	36	35	33
						73					15					11	10		8		6	5	4	3			
SALEABLE	NOT APPLICABLE	34566-2883	0	A	BLACK			70	69						63	62	61			58	57	56	55	54	53		
						52	51		49					44	43	42	41					37	36			34	
						73				32			29	28	27	26										19	18
SALEABLE	NOT APPLICABLE	34566-2893	0	A	BLACK				69		67	66	65		63			60			57	56			53		
									49		47	46		44	43			40				37	36	35			33
						73					31	30	29	28				24			21	20					
SALEABLE	NOT APPLICABLE	34566-2913	0	B	ST GRAY					68	67			64					58								
												46	45									38					
						73				32		30	29	28	27												
SALEABLE	NOT APPLICABLE	34566-2923	0	B	ST GRAY						67			64													
												46	45														
						73				32		30	29	28	27												
SALEABLE	NOT APPLICABLE	34566-2933	0	A	BLACK	72			69		67		65		63			60			57	56			53		
									49		47		44	43			40				37	36	35				33
						73					31	30	29	28				24			21	20					
SALEABLE	NOT APPLICABLE	34566-2943	0	B	ST GRAY					68	67			64	63				59		57						
												46	45		43				39		37						
						73				32		30	29	28	27								21				
SALEABLE	NOT APPLICABLE	34566-2953	0	B	ST GRAY					68	67			64	63				59								
												46	45		43				39								34
						73				32		30	29	28	27												
SALEABLE	NOT APPLICABLE	34566-2963	0	H	ST GRAY		79						74	73	72	71		69	68	67			64		62	61	
							59						54	53	52			49	48	47						42	41
								38					33						29		27			25			

MX123 52/66/73/80-WAY RECEPTACLE ASSY SEALED PIN OUT SHEET

STATUS	GM PART #	HRNS CONN ASSY			TPA	GROMMET CAP																							
		MATERIAL/PART	WIRE DRESS OPTION	KEY OPTION Fp	COLOR OPTION Fp	NUMBERS INDICATE CAVITIES OPEN FOR CIRCUITS																							
		NUMBER				Fp																							
SALEABLE	NOT APPLICABLE	34566-2973	0	G	BLUE	80		78	77		75	74	73	72		70	69		67		65	64	63	62					
						60		58	57		55	54		52	51	50	49		47		45								
						40		38	37					33	32	31				27	26	25	24						
						20		18	17									10	9	8		6	5			3	2	1	
SALEABLE	NOT APPLICABLE	34566-9913	0	A	BLACK	72	71			68	67	66	65	64					59										
								50		48	47	46	45					40	39	38									
						73												25	24		22	21	20					17	
																			9	7	6	5	4			2	1		
SALEABLE	NOT APPLICABLE	34566-9923	0	A	BLACK	72	71				67	66				62	61	60			57								
							51			48		46	45	44	43	42			39						35			33	
						73												26	25	24									
														15	14						8	7	6	5	4	3	2		
SALEABLE	NOT APPLICABLE	34566-9933	0	B	ST GRAY				69				65	64	63														
									49				45	44	43														
						73																22	21	20	19	18	17		
																		12	11				6	5	4	3	2	1	
SALEABLE	NOT APPLICABLE	34566-9943	0	C	BLUE		71		69				65	64			61	60			58			56	55	54			
								50	49				45		43		41				37	36	35						
						73														24	23					19	18	17	
																					8	7					3	2	1
SALEABLE	NOT APPLICABLE	34566-9953	0	A	BLACK					67						62					57								
							51			48		46	45	44	43				39							35			
						73														25									
																						7	6	5	4	3	2		
SALEABLE	NOT APPLICABLE	34566-9963	0	B	ST GRAY					68	67			64	63					58			55						
												46	45		43				38						35				
						73															22					19		17	
																		15	13			10							1
SALEABLE	NOT APPLICABLE	34566-9973	0	B	ST GRAY					68	67			64	63					58									
												46	45		43				38										
						73																22						17	
																													1
SALEABLE	NOT APPLICABLE	34566-2983	9	A	BLACK				70	69					63	62	61			58	57	56	55	54	53				
						52	51		49				44	43	42	41							37	36			34		
						73																					19	18	17
														16	15		13	12	11	10							3	2	1
SALEABLE	NOT APPLICABLE	34566-2993	9	B	ST GRAY	72	71	70		68	67	66				62	61	60	59	58	57	56	55	54	53				
						52	51	50		48	47	46				42	41	40	39	38	37	36	35	34	33				
						73																							
SALEABLE	NOT APPLICABLE	34566-3013	9	C	BLUE	72	71	70	69	68	67	66			63	62			59			57	56	55		53			
						52	51					46		44		42		40	39	38							34	33	
						73																							
SALEABLE	NOT APPLICABLE	34566-3023	0	G	BLUE		79			76					71			68			66				61				
										56				53						48			46			44	43	42	41
										36	35	34						30	29	28							23	22	21
										16	15	14	13	12	11							7					4		
SALEABLE	NOT APPLICABLE	34566-3033	0	H	ST GRAY	80		78	77	76	75					70				66	65		63						
						60		58	57	56	55					51	50				46	45	44	43					
						40	39		37	36	35	34			32	31	30			28			26		24	23	22		
						20	19	18	17	16					13	12							6	5	4	3	2	1	
SALEABLE	NOT APPLICABLE	34566-3043	0	C	BLUE	72	71	70		68		66			63	62			59			57				53			
						52	51			48	47	46		44		42		40	39								34	33	
						73																							
SALEABLE	NOT APPLICABLE	34566-3053	0	C	BLUE	72		70		68		66			63	62			59			57				53			
						52	51			48	47	46		44		42		40	39	38							34	33	
						73																							

MX123 52/66/73/80-WAY RECEPTACLE ASSY SEALED PIN OUT SHEET

STATUS	GM PART #	HRNS CONN ASSY			TPA	GROMMET CAP																						
		MATERIAL/PART	WIRE DRESS OPTION	KEY OPTION Fp	COLOR OPTION Fp	NUMBERS INDICATE CAVITIES OPEN FOR CIRCUITS																						
		NUMBER				Fp																						
SALEABLE	NOT APPLICABLE	34566-3063	0	A	BLACK	52	71		69				65	64	63			60		58	57	56	55	54	53			
							51		49				45	44	43	42	41						37	36	35	34	33	
						73			32		30			28		26										19	18	
SALEABLE	NOT APPLICABLE	34566-3073	0	A	BLACK	52	71		69				65	64	63			60			57	56	55	54	53			
							51		49				45	44	43	42	41						37	36	35	34	33	
						73			32		30			28		26			23							19	18	
SALEABLE	NOT APPLICABLE	34566-3083	0	A	BLACK	52	71		69				65	64	63			60		58	57	56	55	54	53			
							51		49				45	44	43	42	41						37	36	35	34	33	
						73			32		30			28		26										19	18	
SALEABLE	NOT APPLICABLE	34566-3093	0	A	BLACK	52	71		69				65	64	63			60			57	56	55	54	53			
							51		49				45	44	43	42	41						37	36	35	34	33	
						73			32		30			28		26			23							19	18	
SALEABLE	NOT APPLICABLE	34566-3113	0	A	BLACK	52	71		69				65	64	63			60			57	56	55	54	53			
							51		49				45	44	43	42	41						37	36	35	34	33	
						73			32		30			28		26			23			21				19	18	
SALEABLE	NOT APPLICABLE	34566-3123	0	B	ST GRAY	72		70				66					60	59						55	54	53		
						52		50				48	46					40	39							35	34	33
						73			32	31	30	29	28	27	26	25	24											
SALEABLE	NOT APPLICABLE	34566-3133	0	C	BLUE	72		70		68	67	66			63	62			59		57				53			
						52	51			48	47	46		44		42		40	39							34	33	
						73			32		30				26	25			22	21	20							
SALEABLE	NOT APPLICABLE	34566-3143	0	C	BLUE	72		70				66			63	62			59		57				53			
						52	51					46		44		42		40	39							34	33	
						73			32		30				26	25			22	21								
SALEABLE	NOT APPLICABLE	34566-3153	0	A	BLACK	52	71		69						63				58			56		54				
							51		49				47			44	43	42	41					36		34		
						73			32					28		26										19	18	
SALEABLE	NOT APPLICABLE	34566-3163	0	C	BLUE	72		70							63	62			59		57	56	55		53			
						52	51					46		44		42		40	39						37	36	34	33
						73			32		30				26	25			22	21						19	18	
SALEABLE	NOT APPLICABLE	34566-3173	0	A	BLACK	52	71		69						63				58			56		54				
							51		49				47			44	43	42	41					36		34		
						73			32					28		26										19	18	17
SALEABLE	NOT APPLICABLE	34566-3183	0	C	BLUE	72		70				66			63	62			59		57	56	55		53			
						52	51					46		44		42		40	39							34	33	
						73			32		30				26	25			22	21								
SALEABLE	NOT APPLICABLE	34566-3193	0	A	BLACK	52	71		69						63				58			56	55	54	53			
							51		49						44	43	42	41						36	35	34	33	
						73			32					28		26										19	18	17
SALEABLE	NOT APPLICABLE	34566-3213	0	C	BLUE	72		70				67	66			63	62			59		56			53			
						52	51					46		44		42		40	39							34	33	
						73			32		30				26	25			22	21								
SALEABLE	NOT APPLICABLE	34566-3223	0	C	BLUE	72		70				67	66			63	62			59		57			53			
						52	51					46		44		42		40	39							34	33	
						73			32		30				27	26	25		22	21								



MX123 52/66/73/80-WAY RECEPTACLE ASSY SEALED PIN OUT SHEET

STATUS	GM PART #	HRNS CONN ASSY			TPA	GROMMET CAP																									
		MATERIAL/PART	WIRE DRESS OPTION	KEY OPTION Fp	COLOR OPTION Fp	NUMBERS INDICATE CAVITIES OPEN FOR CIRCUITS																									
		NUMBER				Fp																									
SALEABLE	NOT APPLICABLE	34566-3233	0	A	BLACK	70	69									63	62	61					58	57	56	55	54	53			
						52	51		49					44	43	42	41											36		19	18
						73				32				29	28	27	26														3
SALEABLE	NOT APPLICABLE	34566-3243	0	C	BLUE	72		70							66			63	62				59		57			53			
						52	51						46		44		42			40	39								34	33	
						73				32		30				26	25			22	21										
SALEABLE	NOT APPLICABLE	34566-3253	0	A	BLACK	70	69									63							58		56	55	54	53			
						52	51		49					44	43	42	41											36		34	
						73				32				28		26														19	18
SALEABLE	NOT APPLICABLE	34566-3263	0	C	BLUE	72		70							66			63	62				59		57	56	55	54	53		
						52	51						46		44		42			40	39									34	33
						73				32		30				26	25			22	21									19	18
SALEABLE	NOT APPLICABLE	34566-3273	0	A	BLACK	70	69									63							58		56	55	54	53			
						52	51		49					44	43	42	41											36		34	
						73				32				28		26														19	18
SALEABLE	NOT APPLICABLE	34566-3283	0	C	BLUE	72		70							66			63	62				59		57	56	55	54	53		
						52	51						46		44		42			40	39									34	33
						73				32		30				26	25			22	21									19	18
SALEABLE	NOT APPLICABLE	34566-3293	0	B	ST GRAY	72	71	70		68	67	66					62	61	60	59	58	57	56	55	54	53					
						52	51	50		48	47					42	41	40	39	38	37	36	35	34	33						
						73				32	31	30	29	28	27	26	25	24	23												
SALEABLE	NOT APPLICABLE	34566-3313	0	C	BLUE	72		70								63	62					59		57				53			
						52	51						46		44		42			40	39								34	33	
						73				32		30				26	25			22	21										
SALEABLE	NOT APPLICABLE	34566-3323	0	B	ST GRAY				49	68	67	66	65	64	63								58			55					
										48		46	45	44	43									38							
						73				32		30	29	28	27															17	
SALEABLE	NOT APPLICABLE	34566-3333	0	A	BLACK	72	71	70	69	68				65	64	63		61			59	58	57	56			54				
						52	51	50	49		47					42	41			38	37	36			34	33					
						73				32	31	30	29	28	27	26		24	23							20	19	18	17		
SALEABLE	NOT APPLICABLE	34566-3343	0	A	BLACK	72			69	68				65	64	63							57	56			54				
									49		47			44	43	42			40					37	36	35					
						73				32		30	29	28		26			24						21	20			17		
SALEABLE	NOT APPLICABLE	34566-3353	0	B	ST GRAY					68	67			64							59	58				54					
												46	45										39	38							
						73				32		30	29	28	27					23	22								17		
SALEABLE	NOT APPLICABLE	34566-3363	0	A	BLACK		71		69	68				65	64	63		61			59		57	56			54				
						52		50	49		47					42	41	40	39	38	37	36			34	33					
						73				32	31	30	29	28	27	26		24	23	22					20	19	18				
SALEABLE	NOT APPLICABLE	34566-3373	9	C	BLUE	72		70							66			63	62				59		57	56	55	54	53		
						52	51						46		44		42			40	39	38							34	33	
						73				32		30				26	25			22	21								19	18	
SALEABLE	NOT APPLICABLE	34566-3383	0	A	BLACK			70	69	68				65	64	63		61			59	58	57	56			54				
						52		50	49		48	47				42	41			38	37	36			34	33					
						73				32	31	30	29	28	27	26		24	23							20	19	18		1	





MX123 52/66/73/80-WAY RECEPTACLE ASSY SEALED PIN OUT SHEET

STATUS	GM PART #	HRNS CONN ASSY			TPA	GROMMET CAP																				
		MATERIAL/PART	WIRE DRESS OPTION	KEY OPTION Fp	COLOR OPTION Fp	NUMBERS INDICATE CAVITIES OPEN FOR CIRCUITS																				
		NUMBER				Fp																				
SALEABLE	NOT APPLICABLE	34566-3733	0	B	ST GRAY	72	71	70		68	67	66				62	61	60	59	58	57	56	55	54	53	
						52	51	50		48	47	46				42	41	40	39	38	37	36	35	34	33	
						73				32	31	30	29	28	27	26	25	24	23							
SALEABLE	NOT APPLICABLE	34566-3743	0	C	BLUE	72		70		68		66			63	62			59		57			53		
						52	51			48	47	46		44		42		40	39	38					34	33
						73				32		30			27	26	25			22	21					
SALEABLE	NOT APPLICABLE	34566-3753	0	C	BLUE	72		70		68		66			63	62			59		57			53		
						52	51			48	47	46		44		42		40	39						34	33
						73				32		30			27	26	25			22	21					
SALEABLE	NOT APPLICABLE	34566-3763	0	C	BLUE	72		70		68		66			63	62			59		57	56	55	54	53	
						52	51			48	47	46		44		42		40	39						34	33
						73				32		30			27	26	25			22	21					
SALEABLE	NOT APPLICABLE	34566-3773	0	A	BLACK			70	69						63				58		56	55	54	53		
						52	51	50	49					44	43	42	41		39					36		34
						73				32					28		26								19	18
SALEABLE	NOT APPLICABLE	34566-3783	0	A	BLACK			70	69						63				58		56	55	54	53		
						52	51	50	49					44	43	42	41		39					36		34
						73				32					28		26								19	18
SALEABLE	NOT APPLICABLE	34566-3793	0	A	BLACK		71	70						64	63			60		58	57	56	55	54	53	
						52	51		49				45	44	43	42	41				37	36			34	
						73				32		30			28		26			23		21			19	18
SALEABLE	NOT APPLICABLE	34566-3813	0	C	BLUE	72		70		68		66			63	62			59		57			53		
						52	51			48	47	46		44		42		40	39	38	37	36			34	33
						73				32		30				26	25	24			22	21	20			
SALEABLE	NOT APPLICABLE	34566-3823	0	A	BLACK			70	69						63		61			58	57	56	55	54	53	
						52	51		49					44	43		41				37	36			34	
						73				32					27	26									19	18
SALEABLE	NOT APPLICABLE	34566-3833	0	A	BLACK			70	69						63	62	61			57	56	55	54	53		
						52	51		49					44	43	42	41				37	36			34	
						73				32			29	28	27	26			23						19	18
SALEABLE	NOT APPLICABLE	34566-3843	0	A	BLACK	72	71	70	69	68	67	66			64	63	62		60	59			55	54	53	
						52			49	48				44	43	42	41	40	39					35	34	33
						73				32			29	28	27		25	24	23						19	18
SALEABLE	NOT APPLICABLE	34566-3853	0	A	BLACK	72	71	70	69	68	67	66	65	64	63	62		60	59			55	54	53		
						52			49	48			45	44	43	42	41	40	39					35	34	33
						73				32			29	28	27		25	24	23						19	18
SALEABLE	NOT APPLICABLE	34566-3863	0	B	ST GRAY	72	71	70		68	67	66				62	61	60	59	58	57	56	55	54	53	
						52	51	50		48	47	46				42	41	40	39	38	37	36	35	34	33	
						73				32	31	30	29	28	27	26	25	24								
SALEABLE	NOT APPLICABLE	34566-3873	0	B	ST GRAY										63				59	58	57	56	55			
								50	49	48		46	45		43					39	38	37	36	35	34	
						73							29		27					23	22	21				18
SALEABLE	NOT APPLICABLE	34566-3883	0	B	ST GRAY						67	66						59	58	57	56	55		53		
								50	49	48			45							39	38	37	36	35	34	33
						73							29							23	22	21				18

MX123 52/66/73/80-WAY RECEPTACLE ASSY SEALED PIN OUT SHEET

STATUS	GM PART #	HRNS CONN ASSY			TPA	GROMMET CAP																							
		MATERIAL/PART	WIRE DRESS OPTION	KEY OPTION Fp	COLOR OPTION Fp	NUMBERS INDICATE CAVITIES OPEN FOR CIRCUITS																							
		NUMBER				Fp																							
SALEABLE	NOT APPLICABLE	34566-3893	0	C	BLUE	72		70		68	67	66			63	62			59		57					53			
						52	51			48	47	46		44		42					22	21						34	33
						73						32		30			27	26	25					6	5	4			
SALEABLE	NOT APPLICABLE	34566-3913	0	A	BLACK		71	70	69					64	63			60		58	57	56	55	54	53				
						52	51		49					45	44	43	42	41				37	36				34		
						73						32		30		28		26			23		21		19	18			
SALEABLE	NOT APPLICABLE	34566-3923	0	B	ST GRAY	72		70		68		66						60	59						55	54	53		
						52		50		48		46							40	39							35	34	33
						73						32	31	30	29	28	27	26	25	24	23							19	18
SALEABLE	NOT APPLICABLE	34566-3933	0	A	BLACK		71	70	69					64	63			60		58	57	56	55	54	53				
						52	51		49					45	44	43	42	41				37	36				34		
						73						32		30		28		26									19	18	
SALEABLE	NOT APPLICABLE	34566-3943	0	C	BLUE	72		70		68		66						60	59						55	54	53		
						52		50		48		46							40	39							35	34	33
						73						32	31	30	29	28	27	26	25	24									
SALEABLE	NOT APPLICABLE	34566-3953	0	C	BLUE	72		70		68		66						60	59						55	54	53		
						52	51			48	47	46		44		42		40	39									34	33
						73						32		30				26	25		23	22	21	20					
SALEABLE	NOT APPLICABLE	34566-3963	0	C	BLUE	72		70		68	67	66			63	62			59		57					53			
						52	51			48	47	46		44		42		40	39	38							34	33	
						73						32		30				26	25			22	21						
SALEABLE	NOT APPLICABLE	34566-3973	0	C	BLUE	72		70		68	67							60	59						55	54	53		
						52	51			48	47	46		44		42		40	39	38							34	33	
						73						32		30				26	25			22	21						
SALEABLE	NOT APPLICABLE	34566-3983	0	A	BLACK		71	70	69					64	63			60	59	58	57	56	55	54	53				
						52	51		49					45	44	43	42	41	40			37	36				34		
						73						32		30		28		26									19	18	
SALEABLE	NOT APPLICABLE	34566-3993	0	A	BLACK			70	69					64	63	62	61	60		58	57	56	55	54	53				
						52	51		49					44	43	42	41	40				37	36				34		
						73						32			29	28	27	26									19	18	
SALEABLE	NOT APPLICABLE	34566-4013	0	B	ST GRAY	72		70		68		66						60	59						55	54	53		
						52		50		48		46							40	39							35	34	33
						73						32	31	30	29	28	27	26	25	24									17
SALEABLE	NOT APPLICABLE	34566-4023	0	B	ST GRAY	72	71	70		68	67	66				62	61	60	59	58	57	56	55	54	53				
						52	51	50		48	47	46				42	41	40	39	38	37	36	35	34	33				
						73						32	31	30	29	28	27	26	25	24									
SALEABLE	NOT APPLICABLE	34566-4033	0	C	BLUE	72		70		68								60	59	58	57				53				
						52	51			48	47			44		42		40	39	38							34	33	
						73						32		30				26	25			22	21	20				17	
SALEABLE	NOT APPLICABLE	34566-4043	0	A	BLACK		71	70	69					64	63			60		58	57	56	55	54	53				
						52	51		49					45	44	43	42	41				37	36				34		
						73						32		30		28		26			23						19	18	
SALEABLE	NOT APPLICABLE	34566-4053	0	A	BLACK	72			69		67	66	65		63			60			57	56				53			
									49			47	46		44	43	42		40			37	36	35				33	
						73						32		30	29	28	27	26		24			21	20				17	

MX123 52/66/73/80-WAY RECEPTACLE ASSY SEALED PIN OUT SHEET

STATUS	GM PART #	HRNS CONN ASSY			TPA	GROMMET CAP																										
		MATERIAL/PART	WIRE DRESS OPTION	KEY OPTION Fp	COLOR OPTION Fp	NUMBERS INDICATE CAVITIES OPEN FOR CIRCUITS																										
		NUMBER				Fp																										
SALEABLE	NOT APPLICABLE	34566-4063	0	B	ST GRAY					68	67			64					59	58					54							
SALEABLE	NOT APPLICABLE	34566-4073	0	A	BLACK	72			70					66			63	62			59		57	56	55		53					
						52	51					46		44		42		40	39		37	36					34	33				
SALEABLE	NOT APPLICABLE	34566-4083	0	C	BLUE	72			70					68				63	62			59	58	57			53					
						52	51					48	47			44		42		40	39	38	37	36			34	33				
SALEABLE	NOT APPLICABLE	34566-4093	0	A	BLACK		71	70	69					67			64	63			60			57	56	55	54	53				
						52	51		49				47		45	44	43	42	41													
SALEABLE	NOT APPLICABLE	34566-4113	0	B	ST GRAY									68	67			64														
SALEABLE	NOT APPLICABLE	34566-4123	9	A	BLACK	72				69				67	66	65		63			60			57	56			53				
									49				47	46		44	43	42		40												
SALEABLE	NOT APPLICABLE	34566-4133	9	B	ST GRAY									68	67			64					59	58				54				
SALEABLE	NOT APPLICABLE	34566-4143	0	B	ST GRAY									68	67			64					59	58				54				
SALEABLE	NOT APPLICABLE	34566-4153	0	B	ST GRAY	72			70					68						60	59						55	54	53			
						52		50				48		46		44				40	39											
SALEABLE	NOT APPLICABLE	34566-4163	0	B	ST GRAY	72			70					68						60	59							55	54	53		
						52		50				48		46					40	39												
SALEABLE	NOT APPLICABLE	34566-4173	0	A	BLACK	72	71	70	69							64	63			60	59	58			56	55	54	53				
						52	51		49				47		45	44	43	42	41													
SALEABLE	NOT APPLICABLE	34566-4183	0	C	BLUE	72			70					68				63	62			59	58	57				53				
						52	51					48	47	46		44		42		40	39											
SALEABLE	NOT APPLICABLE	34566-4193	0	C	BLUE		71		69							65	64			61	60			58		56	55	54				
								50	49						45		43		41													
SALEABLE	NOT APPLICABLE	34566-4213	0	A	BLACK	72	71							68	67	66	65	64			60	59	58									
								50				48	47	46	45							40	39	38								
SALEABLE	NOT APPLICABLE	34566-4223	0	A	BLACK	72	71							68	67	66	65	64			60	59										
								50				48	47	46	45							40	39	38								



MX123 52/66/73/80-WAY RECEPTACLE ASSY SEALED PIN OUT SHEET

STATUS	GM PART #	HRNS CONN ASSY			TPA	GROMMET CAP																							
		MATERIAL/PART	WIRE DRESS OPTION	KEY OPTION Fp	COLOR OPTION Fp	NUMBERS INDICATE CAVITIES OPEN FOR CIRCUITS																							
		NUMBER				Fp																							
SALEABLE	NOT APPLICABLE	34566-4393	0	G	BLUE	60	58	57	75	74	72	70	69	67	65	64	63	62											
						40	38	37	55	54	52	51	50	49	47	45	44	43	42	41	40	39	38	37	36	35	34	33	
						20	18	17																					
SALEABLE	NOT APPLICABLE	34566-4413	0	B	ST GRAY																								
							50	49	48	46	44	43	42	41	40	39	38	37	36	35	34	33							
						73			16	15	14	29	27	26	25	24	23	22	21	20	19	18							
SALEABLE	NOT APPLICABLE	34566-4423	9	C	BLUE	72	71	70	68	67	66	64	63	62	61	60	59	58	57	56	55	54	53						
						52	51		48	47	46	44	43	42	41	40	39	38	37	36	35	34	33						
						73			32	31	30	29	28	27	26	25	24	23	22	21	20	19	18						
SALEABLE	NOT APPLICABLE	34566-4433	9	A	BLACK			70	69																				
						52	51	50	49			44	43	42	41	40	39	38	37	36	35	34	33						
						73			32	31	30	29	28	27	26	25	24	23	22	21	20	19	18						
SALEABLE	NOT APPLICABLE	34566-4443	9	A	BLACK					67	66																		
									48	47					41														
						73			32	31	30	29	27	26	25	24	23	22	21	20	19	18	17						
SALEABLE	NOT APPLICABLE	34566-4453	0	A	BLACK	72	71	70	69	68	67	66	64	63	62	61	60	59	58	57	56	55	54	53					
						52	51	50	49	48	47	46	45	44	43	42	41	40	39	38	37	36	35	34	33				
						73							28	27	26	25	24	23	22	21	20	19	18						
SALEABLE	NOT APPLICABLE	34566-4463	9	B	ST GRAY																								
									48	47	45	44	43	42	41	40	39	38	37	36	35	34	33						
						73							12	11	10	9	8	7	6	5	4	3	2	1					
SALEABLE	NOT APPLICABLE	34566-4473	0	B	ST GRAY							64	63	62	61	60	59	58	57	56	55	54	53						
									47	46	45	44	43	42	41	40	39	38	37	36	35	34	33						
						73										26	25	24	23	22	21	20	19	18	17				
SALEABLE	NOT APPLICABLE	34566-4483	9	C	BLUE	72	71	70	69	68	67	66	64	63	62	61	60	59	58	57	56	55	54	53					
						52	51	50	49	48	47	46	45	44	43	42	41	40	39	38	37	36	35	34	33				
						73			32	31	30	29	28	27	26	25	24	23	22	21	20	19	18	17					
SALEABLE	NOT APPLICABLE	34566-4493	9	A	BLACK	72	71	70	69	68	67	66	64	63	62	61	60	59	58	57	56	55	54	53					
						52	51	50	49	48	47	46	45	44	43	42	41	40	39	38	37	36	35	34	33				
						73			32	31	30	29	28	27	26	25	24	23	22	21	20	19	18	17					
SALEABLE	NOT APPLICABLE	34566-4513	9	B	ST GRAY	72	71	70	69	68	67	66	64	63	62	61	60	59	58	57	56	55	54	53					
						52	51	50	49	48	47	46	45	44	43	42	41	40	39	38	37	36	35	34	33				
						73			32	31	30	29	28	27	26	25	24	23	22	21	20	19	18	17					
SALEABLE	NOT APPLICABLE	34566-4523	0	G	BLUE			78	77	75	74	72	70	69	67	65	64	63	62										
						60	58	57	55	54	52	51	50	49	47	45	44	43	42	41	40	39	38	37	36	35	34	33	
						40	38	37																					
SALEABLE	NOT APPLICABLE	34566-4533	0	A	BLACK				69	67	65	64	63	62	61	60	59	58	57	56	55	54	53						
									49	47	45	44	43	42	41	40	39	38	37	36	35	34	33						
						73			32	31	30	29	28	27	26	25	24	23	22	21	20	19	18	17					
SALEABLE	NOT APPLICABLE	34566-4543	0	B	ST GRAY					68	67	64	63	62	61	60	59	58	57	56	55	54	53						
									46	45	44	43	42	41	40	39	38	37	36	35	34	33							
						73			32	31	30	29	28	27	26	25	24	23	22	21	20	19	18	17					
SALEABLE	NOT APPLICABLE	34566-4553	0	B	ST GRAY					68	67	64	63	62	61	60	59	58	57	56	55	54	53						
									46	45	44	43	42	41	40	39	38	37	36	35	34	33							
						73			32	31	30	29	28	27	26	25	24	23	22	21	20	19	18	17					



MX123 52/66/73/80-WAY RECEPTACLE ASSY SEALED PIN OUT SHEET

STATUS	GM PART #	HRNS CONN ASSY			TPA	GROMMET CAP																						
		MATERIAL/PART	WIRE DRESS OPTION	KEY OPTION Fp	COLOR OPTION Fp	NUMBERS INDICATE CAVITIES OPEN FOR CIRCUITS																						
		NUMBER				Fp																						
SALEABLE	NOT APPLICABLE	34566-4563	0	B	ST GRAY					68	67			64	63					58			55		53			
													46	45								38				35		
												73			32		30	29	28	27					22			19
														12		10								1				
SALEABLE	NOT APPLICABLE	34566-4573	0	B	ST GRAY					68	67			64	63					58					53			
															46	45							38					
												73			32		30	29	28	27					22			
														12		10												
SALEABLE	NOT APPLICABLE	34566-4583	0	B	ST GRAY					68	67			64						58					53			
															46	45							38					
												73			32		30	29	28	27					22			
														12		10								1				
SALEABLE	NOT APPLICABLE	34566-4593	0	B	ST GRAY					68	67			64						58					53			
															46	45							38					
												73			32		30	29	28	27					22			
														12		10								1				
SALEABLE	NOT APPLICABLE	34566-4613	0	A	BLACK	72			69		67	66	65		63			60			57	56			53			
									49					44	43	42		40				37	36	35			33	
														31	30	29	28	27	26		24			21	20			17
														11	10				5	4	3	2	1					
SALEABLE	NOT APPLICABLE	34566-4623	0	B	ST GRAY	72		70		68		66					60	59				55	54		53			
						52		50		48		46					40	39					35	34		33		
														32	31	30	29	28	27	26	25	24	23					17
															10		8	7					2	1				
SALEABLE	NOT APPLICABLE	34566-4633	0	A	BLACK		71	70	69					64	63			60	59	58		56	55	54	53			
						52	51		49				47		45	44	43	42	41			38		36		34		
														32		30		28		26				21		19	18	
										16	15			12		10		8		5		3						
SALEABLE	NOT APPLICABLE	34566-4643	0	B	ST GRAY	72		70		68		66					60	59				55	54		53			
						52		50		48		46					40	39					35	34		33		
														32	31	30	29	28	27	26	25	24	23					19
															10		8	7					2	1				
SALEABLE	NOT APPLICABLE	34566-4653	0	A	BLACK		71	70	69		67			64	63			60	59			56	55	54	53			
						52	51		49				47		45	44	43	42	41			38		36		34		
														32		30		28		26				23			19	18
										16	15			12		10						3						
SALEABLE	NOT APPLICABLE	34566-4663	0	A	BLACK		71	70	69					64	63			60	59	58		56	55	54	53			
						52	51		49				47		45	44	43	42	41			38		36		34		
														32		30		28		26						19	18	
										16	15			12		10						3						
SALEABLE	NOT APPLICABLE	34566-4673	0	A	BLACK						67	66																
														32	31	30	29		27	26	25			22	21		19	18
SALEABLE	NOT APPLICABLE	34566-4683	9	B	ST GRAY	72	71	70	69	68	67	66	65	64		62	61	60	59	58	57	56	55	54				
						52	51	50	49			46		44			41	40		38	37	36					18	17
														32	31	30	29	28	27		25	24		21	20			
														10	9	8	7	6	5	4	3	2						
SALEABLE	NOT APPLICABLE	34566-4693	0	B	ST GRAY	72	71	70	69	68	67	66	65					61	60			57	56	55	54			
						52	51	50	49	48		46		44			41	40		38	37	36						
														32	31	30	29	28	27		24			21	20	19	18	17
SALEABLE	NOT APPLICABLE	34566-4713	0	A	BLACK						67	66			64	63			60	59			56	55	54	53		
														47		45	44	43	42	41					36		34	
														32		30		28		26				23			19	18
SALEABLE	NOT APPLICABLE	34566-4723	0	A	BLACK	72	71	70	69					64	63			60	59	58		56	55	54	53			
						52	51		49				47		45	44	43	42	41						36		34	
														32		30		28		26							19	18

MX123 52/66/73/80-WAY RECEPTACLE ASSY SEALED PIN OUT SHEET

STATUS	GM PART #	HRNS CONN ASSY			TPA	GROMMET CAP																						
		MATERIAL/PART	WIRE DRESS OPTION	KEY OPTION Fp	COLOR OPTION Fp	NUMBERS INDICATE CAVITIES OPEN FOR CIRCUITS																						
		NUMBER				Fp																						
SALEABLE	NOT APPLICABLE	34566-4733	0	A	BLACK	72	71	70	69					64	63			60	59	58		56	55	54	53			
						52	51		49		47		45	44	43	42	41						21		36		19	18
						73				32		30		28		26							8		5		3	
SALEABLE	NOT APPLICABLE	34566-4743	9	A	BLACK	72	71	70	69		67		65	64	63	62	61	60	59	58	57	56	55	54	53			
						52	51	50	49	48	47		45	44	43	42	41	40	39		37	36				34		
						73				32		30	29	28	27	26		24	23		21				19	18	17	
SALEABLE	NOT APPLICABLE	34566-4753	0	B	ST GRAY					68	67			64						58								
											46	45										38						
						73				32		30	29	28	27						22							17
SALEABLE	NOT APPLICABLE	34566-4763	0	B	ST GRAY					68	67			64														
											46	45																
						73				32		30	29	28	27													17
SALEABLE	NOT APPLICABLE	34566-4773	0	B	ST GRAY					68	67			64				59	58					54				
											46	45							39	38								
						73				32		30	29	28	27				23	22								17
SALEABLE	NOT APPLICABLE	34566-4783	0	B	ST GRAY					68	67			64	63					58				55				
											46	45		43							38					35		
						73				32		30	29	28	27					22							19	17
SALEABLE	NOT APPLICABLE	34566-4793	0	B	ST GRAY					68	67			64	63					58								
											46	45		43							38							
						73				32		30	29	28	27				22									17
SALEABLE	NOT APPLICABLE	34566-4813	9	B	ST GRAY					68	67			64				59	58						54			
											46	45							39	38								
						73				32		30	29	28	27				23	22								17
SALEABLE	NOT APPLICABLE	34566-4823	0	C	BLUE					68	67	66	65	64					59	58	57		55	54	53			
							51	50	49	48		46	45		43	42	41	40	39	38	37			35			33	
						73				32	31	30				26		24	23	22				20				
SALEABLE	NOT APPLICABLE	34566-4833	0	C	BLUE	72			70		68	67	66			63	62			59		57			53			
						52	51			48	47	46		44		42		40	39		37	36				34	33	
						73				32		30			27	26	25	24		22	21							
SALEABLE	NOT APPLICABLE	34566-4843	0	C	BLUE	72			70		68	67	66			63	62			59		57			53			
						52	51			48	47	46		44		42		40	39	38	37	36				34	33	
						73				32		30			27	26	25	24		22	21							
SALEABLE	NOT APPLICABLE	34566-4853	0	C	BLUE	72			70		68		66			63	62			59		57	56	55		53		
						52	51			48	47	46		44		42		40	39		37	36				34	33	
						73				32		30			27	26	25	24		22	21			19	18			
SALEABLE	NOT APPLICABLE	34566-4863	0	C	BLUE	72			70		68		66			63	62			59		57			53			
						52	51			48	47	46		44		42		40	39	38	37	36				34	33	
						73				32		30			27	26	25	24		22	21							
SALEABLE	NOT APPLICABLE	34566-4873	0	C	BLUE	72			70		68		66			63	62			59		57			53			
						52	51			48	47	46		44		42		40	39		37	36				34	33	
						73				32		30			27	26	25	24		22	21							
SALEABLE	NOT APPLICABLE	34566-4883	9	A	BLACK	72				69		67		65		63			60		57	56			53			
									49		47	46		44	43			40				37	36	35			33	
						73				32		30	29	28				24				21	20					17



MX123 52/66/73/80-WAY RECEPTACLE ASSY SEALED PIN OUT SHEET

STATUS	GM PART #	HRNS CONN ASSY			TPA	GROMMET CAP																												
		MATERIAL/PART	WIRE DRESS OPTION	KEY OPTION Fp	COLOR OPTION Fp	NUMBERS INDICATE CAVITIES OPEN FOR CIRCUITS																												
		NUMBER				Fp																												
SALEABLE	NOT APPLICABLE	34566-4893	9	B	ST GRAY						68	67			64	63					58					55								
															32		30	29	28	27					22					19			17	
																	15		13					10									1	
SALEABLE	NOT APPLICABLE	34566-4913	9	B	ST GRAY						68	67			64	63					58	57				55			53					
																									38	37				35				
																																		17
SALEABLE	NOT APPLICABLE	34566-4923	9	A	BLACK		72			69				67		65			63			60			57	56				53				
SALEABLE	NOT APPLICABLE	34566-4933	0	C	BLUE						68	67	66			63	62			60			59	57						53				
SALEABLE	NOT APPLICABLE	34566-4943	0	A	BLACK				70	69							63	62	61	60	59	58	57	56	55	54	53							
SALEABLE	NOT APPLICABLE	34566-4953	0	B	ST GRAY		72	71	70	69				68	67	66	65	64	63				59							53				
SALEABLE	NOT APPLICABLE	34566-4963	9	A	BLACK						68	67	66	65			63			60			59	57	56					53				
SALEABLE	NOT APPLICABLE	34566-4973	9	B	ST GRAY						68	67			64						59	58								54				
SALEABLE	NOT APPLICABLE	34566-4983	0	B	ST GRAY		72		70		68		66							60	59							55	54	53				
SALEABLE	NOT APPLICABLE	34566-4993	0	A	BLACK											64	63			60	59													
SALEABLE	NOT APPLICABLE	34566-5013	9	B	ST GRAY						68	67			64	63					59	58							55	54				
SALEABLE	NOT APPLICABLE	34566-5023	0	C	BLUE		72		70		68	67			64	63			60	59			57						53					
SALEABLE	NOT APPLICABLE	34566-5033	0	A	BLACK				70	69							63	62	61	60			58	57	56	55	54	53						
SALEABLE	NOT APPLICABLE	34566-5043	0	A	BLACK																													
SALEABLE	NOT APPLICABLE	34566-5053	0	B	ST GRAY																													

MX123 52/66/73/80-WAY RECEPTACLE ASSY SEALED PIN OUT SHEET

STATUS	GM PART #	HRNS CONN ASSY			TPA	GROMMET CAP																						
		MATERIAL/PART	WIRE DRESS OPTION	KEY OPTION Fp	COLOR OPTION Fp	NUMBERS INDICATE CAVITIES OPEN FOR CIRCUITS Fp																						
		NUMBER																										
SALEABLE	NOT APPLICABLE	34566-5063	9	H	ST GRAY	80	79	78	77	76	75	74	73	72	71	70	69	68	67	66	65	64	63	62	61			
						60	59	58	57	56	55	54	53	52	51	50	49	48	47	46	45	44	43	42	41			
						40	39	38	37		35	34	33	32		30	29		27	26		24	23	22	21			
						20	19	18	17			14	13	12	11	10	9	8		6	5		3	2				
SALEABLE	NOT APPLICABLE	34566-5073	9	A	BLACK	72	71	70	69	68	67	66	65	64	63	62	61	60	59	58	57	56	55	54	53			
						52	51	50	49	48	47	46	45	44	43	42	41	40	39	38	37	36		34	33			
						73			32	31	30	29	28	27	26		24	23	22	21	20	19	18					
									16				13	12	11	10	9	8										1
SALEABLE	NOT APPLICABLE	34566-5083	9	A	BLACK			70	69						63	62	61	60		58	57	56	55	54	53			
						52	51		49				44	43	42	41			38	37					34			
						73			32			29	28	27	26			23							19	18		
									16	15			13	12	11	10		8							3			
SALEABLE	NOT APPLICABLE	34566-5093	0	B	ST GRAY	72	71	70	69	68	67	66	65	64	63	62	61	60	59	58	57	56	55	54	53			
						52	51	50	49	48	47	46	45	44	43	42	41	40	39	38	37	36	35	34	33			
						73						29		27					23	22	21						18	
									16	15	14	13							8	7	6	5	4	3				
SALEABLE	NOT APPLICABLE	34566-5113	0	A	BLACK	72	71	70	69	68	67	66		64	63	62		60	59				55	54	53			
						52			49	48				44	43	42	41	40	39					35	34	33		
						73			32			29		27		25	24	23							19	18	17	
									16				13	12	11		9	8	7	6	5	4	3	2	1			
SALEABLE	NOT APPLICABLE	34566-5123	9	C	BLUE	72		70		68	67	66			63	62		59		57				53				
						52	51			48	47	46	45	44			40	39	38	37	36			34	33			
						73			32		30			27	26	25	24			22	21	20						
										15	14				10	9	8		6	5	4			2				
SALEABLE	NOT APPLICABLE	34566-5133	9	B	ST GRAY	72	71	70		68	67	66			62	61	60	59	58	57	56	55	54	53				
						52	51	50		48	47	46			42	41	40	39	38	37	36	35	34	33				
						73			32	31	30	29	28	27	26	25	24	23										
									16	15	14	13																
SALEABLE	NOT APPLICABLE	34566-5143	0	C	BLUE	72		70		68	67	66			63	62		59		57				53				
						52	51			48	47	46		44		42		40	39		37	36		34	33			
						73			32		30				26	25	24			22	21	20						
										15	14				10	9	8		6	5	4			2				
SALEABLE	NOT APPLICABLE	34566-5153	0	A	BLACK			70	69						63	62	61	60		58	57	56	55	54	53			
						52	51		49		47			44	43	42	41			37	36	35	34	33				
						73			32			29	28	27	26	25									19	18		
									16	15			13	12	11	10									3			
SALEABLE	NOT APPLICABLE	34566-5163	9	A	BLACK	72			69		67		65		63			60			57	56		53				
									49		47			44	43			40			37	36	35			33		
						73						31	30	29	28				24			21	20				17	
									16	15	14				11	10						5	4	3	2	1		
SALEABLE	NOT APPLICABLE	34566-5173	9	B	ST GRAY					68	67			64				59		57								
												46	45		43				39		37							
						73			32		30	29	28	27							21							
																10					6	5	4	3				
SALEABLE	NOT APPLICABLE	34566-5183	0	B	ST GRAY					68	67			64				59	58				54					
												46	45	44				39	38									
						73			32		30	29	28	27						23	22						17	
														12		10		8										1
SALEABLE	NOT APPLICABLE	34566-5193	0	A	BLACK			70	69						63	62	61	60		58	57	56	55	54	53			
						52	51		49				44	43	42	41					37	36		34				
						73			32			29	28	27	26										19	18	17	
									16	15			13	12	11	10									3	2	1	
SALEABLE	NOT APPLICABLE	34566-5213	0	A	BLACK	72	71	70	69	68	67	66	65	64	63	62	61	60	59				55	54	53			
						52			49	48				44	43	42	41	40	39					35	34	33		
						73			32			29		27		25	24	23							19	18	17	
									16				13	12	11		9	8	7	6	5	4	3	2	1			
SALEABLE	NOT APPLICABLE	34566-5223	0	C	BLUE	72		70			67	66			63	62		59		57				53				
						52	51			48		46		44		42		40	39					34	33			
						73			32		30			27	26	25				22	21							
										15	14					10	9			6	5	4						

MX123 52/66/73/80-WAY RECEPTACLE ASSY SEALED PIN OUT SHEET

STATUS	GM PART #	HRNS CONN ASSY			TPA	GROMMET CAP																						
		MATERIAL/PART	WIRE DRESS OPTION	KEY OPTION Fp		COLOR OPTION Fp	NUMBERS INDICATE CAVITIES OPEN FOR CIRCUITS																					
		NUMBER					Fp																					
SALEABLE	NOT APPLICABLE	34566-5233	0	C	BLUE	72		70		68	67	66			63	62			59		57	56	55		53			
						52	51			48	47	46		44		42		40	39	38		22	21		19	18	34	33
						73					32		30				26	25			6	5	4	3				
SALEABLE	NOT APPLICABLE	34566-5243	0	C	BLUE	72	71	70	69	68	67	66	65		63	62	61		59	58	57	56	55	54	53			
							51	50	49	48		46	45	44	43	42	41	40	39	38		36	35	34	33			
						73					32	31	30	29	28	27	26	25			22	21	20	19	18	17		
SALEABLE	NOT APPLICABLE	34566-5253	0	B	ST GRV						67	66			63			59	58	57	56	55		53				
								50	49	48		46	45		43			39	38	37	36	35	34	33				
						73								29	27				23	22	21					18		
SALEABLE	NOT APPLICABLE	34566-5263	0	B	ST GRV						67	66			63			59	58	57	56	55		53				
								50	49	48		46	45		43			39	38	37	36	35	34	33				
						73								29	27				23	22	21					18		
SALEABLE	NOT APPLICABLE	34566-5273	0	A	BLACK			70	69						63	62	61	60		58	57	56	55	54	53			
						52	51		49					44	43	42	41				37	36		34				
						73					32			29	28	27	26			23					19	18		
SALEABLE	NOT APPLICABLE	34566-5283	0	C	BLUE	72		70		68	67	66			63	62	61	60		59		57	56	55	54	53		
						52	51			48	47	46		44		42		40	39							34	33	
						73					32		30				26	25			22	21		19	18			
SALEABLE	NOT APPLICABLE	34566-5293	0	A	BLACK			70	69						63	62	61	60		58	57	56	55	54	53			
						52	51		49					44	43	42	41	40			37	36		34				
						73					32			29	28	27	26							19	18	17		
SALEABLE	NOT APPLICABLE	34566-5313	0	C	BLUE	72		70		68	67	66			63	62			59		57	56	55		53			
						52	51			48	47	46		44		42		40	39	38	37	36		34	33			
						73					32		30			27	26	25	24		22	21		19	18			
SALEABLE	NOT APPLICABLE	34566-5323	0	G	BLUE	80		78	77		75	74	73	72		70	69		67		65	64	63	62				
						60		58	57		55	54		52	51	50	49		47		45							
						40		38	37					33	32	31			27	26	25	24						
SALEABLE	NOT APPLICABLE	34566-5333	0	A	BLACK			70	69						63	62	61	60		58	57	56	55	54	53			
						52	51		49					44	43	42	41	40			37	36		34				
						73					32			29	28	27	26							19	18	17		
SALEABLE	NOT APPLICABLE	34566-5343	0	B	ST GRV					68	67			64				59	58					54				
											46	45						39	38									
						73					32		30	29	28	27			23	22							17	
SALEABLE	NOT APPLICABLE	34566-5353	9	B	ST GRV					68	67			64	63			59	58			55	54					
											46	45	44	43				39	38			35	34					
						73					32		30	29	28	27			23	22			19	18	17			
SALEABLE	NOT APPLICABLE	34566-5363	0	C	BLUE	72		70		68		66			63	62			59		57				53			
						52	51			48	47	46		44		42		40	39	38						34	33	
						73					32		30				26	25			22	21						
SALEABLE	NOT APPLICABLE	34566-5373	0	C	BLUE	72		70		68		66			63	62			59		57				53			
						52	51			48	47	46		44		42		40	39							34	33	
						73					32		30				26	25			22	21						
SALEABLE	NOT APPLICABLE	34566-5383	0	C	BLUE	72		70		68		66			63	62			59		57				53			
						52	51			48	47	46		44		42		40	39			37	36			34	33	
						73					32		30				26	25	24		22	21					2	

MX123 52/66/73/80-WAY RECEPTACLE ASSY SEALED PIN OUT SHEET

STATUS	GM PART #	HRNS CONN ASSY			TPA	GROMMET CAP																							
		MATERIAL/PART	WIRE DRESS OPTION	KEY OPTION Fp	COLOR OPTION Fp	NUMBERS INDICATE CAVITIES OPEN FOR CIRCUITS																							
		NUMBER				Fp																							
SALEABLE	NOT APPLICABLE	34566-5393	0	A	BLACK				70	69													56	55	54	53			
						52	51		49						44	43	42	41								36		34	
						73								32					28		26			23			21		19
SALEABLE	NOT APPLICABLE	34566-5413	0	A	BLACK				70	69														56	55	54	53		
						52	51		49					44	43	42	41									36		34	
						73								32					28		26			23			21		19
SALEABLE	NOT APPLICABLE	34566-5423	0	A	BLACK				70	69														56	55	54	53		
						52	51		49					44	43	42	41									36		34	
						73								32					28		26			23			21		19
SALEABLE	NOT APPLICABLE	34566-5433	9	B	ST GRY																								
										68	67															59	58		54
						73								32					46	45						39	38		
SALEABLE	NOT APPLICABLE	34566-5443	9	B	ST GRY																								
										68	67															59	58		54
						73								32					30	29	28	27				23	22		17
SALEABLE	NOT APPLICABLE	34566-5453	0	B	ST GRY																								
										68	67															59	58		54
						73								32					30	29	28	27				23	22		17
SALEABLE	NOT APPLICABLE	34566-5463	0	A	BLACK				70																				
						52			49																				
						73								16	15	14			12		10					6			
SALEABLE	NOT APPLICABLE	34566-5473	0	A	BLACK		72		70																				
						52	51			68	67	66	65	64	63	62		60	59						56			53	
						73								32					31	30	29	28	27	26	25	24	23		20
SALEABLE	NOT APPLICABLE	34566-5483	0	B	ST GRY				70																				
						52			50	48	47	46	45	44	43	42		40	39										
						73								32	31	30	29	28	27	26	25	24	23				20		
SALEABLE	NOT APPLICABLE	34566-5493	0	A	BLACK				70	69																			
						52	51		49																				
						73								32					28		26								19
SALEABLE	NOT APPLICABLE	34566-5513	9	B	ST GRY																								
										68	67															58			55
						73								32					46	45						38			35
SALEABLE	NOT APPLICABLE	34566-5523	9	A	BLACK				70	69																			
						52	51		49																				
						73								32					31	30	29	28	27	26	25	24		21	20
SALEABLE	NOT APPLICABLE	34566-5533	9	B	ST GRY																								
										68	67															59	58		54
						73								32					30	29	28	27				23	22		17
SALEABLE	NOT APPLICABLE	34566-5543	9	A	BLACK																								
										68	67															59	58		54
						73								32					30	29	28	27				23	22		17
SALEABLE	NOT APPLICABLE	34566-5553	9	B	ST GRY																								
										68	67															59	58		54
						73								32					30	29	28	27				23	22		17

MX123 52/66/73/80-WAY RECEPTACLE ASSY SEALED PIN OUT SHEET

STATUS	GM PART #	HRNS CONN ASSY			TPA	GROMMET CAP																							
		MATERIAL/PART	WIRE DRESS OPTION	KEY OPTION Fp	COLOR OPTION Fp	NUMBERS INDICATE CAVITIES OPEN FOR CIRCUITS																							
		NUMBER				Fp																							
SALEABLE	NOT APPLICABLE	34566-5563	0	A	BLACK	72	71	70	69					64	63			60	59	58	57	56	55	54	53				
						52	51		49	48	47		45	44	43	42	41							37	36		34	33	
						73				32		30		28		26										19	18	17	
SALEABLE	NOT APPLICABLE	34566-5573	0	C	BLUE	72		70		68		66			63	62			59	58	57	56	55		53				
						52	51		49	48	47	46		44		42		40	39	38	37	36			34	33			
						73				32		30				26	25	24	23	22	21	20	19	18	17				
SALEABLE	NOT APPLICABLE	34566-5583	0	B	ST GRAY	72		70		68		66		64	63			60	59					55	54	53			
						52		50		48		46					40	39							35	34	33		
						73				32	31	30	29	28	27	26	25	24	23			20						2	1
SALEABLE	NOT APPLICABLE	34566-5593	0	C	BLUE	72		70		68		66			63	62			59		57				55	54	53		
						52	51			48	47	46		44		42		40	39								34	33	
						73				32		30				26	25		23	22	21								
SALEABLE	NOT APPLICABLE	34566-5613	0	C	BLUE	72		70		68		66			63	62			59	58	57				55	54	53		
						52	51			48	47			44		42		40	39		37	36					34	33	
						73				32		30			27	26	25	24	23	22	21	20							2
SALEABLE	NOT APPLICABLE	34566-5623	0	C	BLUE	72		70		68		66			63	62			59		57				55	54	53		
						52	51			48	47			44		42		40	39		37	36					34	33	
						73				32		30			27	26	25	24	23	22	21	20							2
SALEABLE	NOT APPLICABLE	34566-5633	0	B	ST GRAY	72										62	61												
						52				48		46		44	43		41	40								20	19	18	
						73				16	15	14															4		
SALEABLE	NOT APPLICABLE	34566-5643	0	B	ST GRAY	72										62	61												
						52				48		46			43		41	40									20	19	18
						73				16	15	14															4		
SALEABLE	NOT APPLICABLE	34566-5653	0	A	BLACK	72	71	70	69	68		66	65	64	63		61	60			57	56			54	53			
						52	51	50	49	48		46	45	44	43		41	40	39	38	37	36					34	33	
						73				32	31	30	29	28		26	25		23	22	21								2
SALEABLE	NOT APPLICABLE	34566-5663	0	C	BLUE				69		67	66	64		62		60			57				55	54				
						52	51	50		48		46	45	44		42						37				35	34	33	
						73				32	31			28	27	26											19	18	
SALEABLE	NOT APPLICABLE	34566-5673	0	C	BLUE				69		67	66	64		62		60			57				55	54				
						52	51	50	49	48		46	45	44		42		41				37				35	34	33	
						73				32	31			28	27	25												18	
SALEABLE	NOT APPLICABLE	34566-5683	0	B	ST GRAY	72										62	61												
						52				48		46		44	43		41	40								20	19	18	
						73				16		14															4		
SALEABLE	NOT APPLICABLE	34566-5693	0	A	BLACK	72	71	70	69	68		66	65	64	63		61	60			57	56			54	53			
						52	51	50	49	48		46	45	44	43		41	40	39	38	37	36					34	33	
						73				32	31	30	29	28		26	25		23	22	21	20							2
SALEABLE	NOT APPLICABLE	34566-5713	0	C	BLUE				69		67	66	64		62		60			57				55	54				
						52	51	50		48		46	45	44		42						37				35	34	33	
						73				32	31			28	27	26												19	18
SALEABLE	NOT APPLICABLE	34566-5723	0	C	BLUE				69		67	66	64		62		60			57				55	54				
						52	51	50	49	48		46	45	44		42		41				37				35	34	33	
						73				32				28	27	25													18

MX123 52/66/73/80-WAY RECEPTACLE ASSY SEALED PIN OUT SHEET




STATUS	GM PART #	HRNS CONN ASSY			TPA	GROMMET CAP																										
		MATERIAL/PART	WIRE DRESS OPTION	KEY OPTION Fp	COLOR OPTION Fp	NUMBERS INDICATE CAVITIES OPEN FOR CIRCUITS																										
		NUMBER				Fp																										
SALEABLE	NOT APPLICABLE	34566-5733	0	A	BLACK	52	71	70	69							64	63					60	59	58	57	56	55	54	53			
									49						45	44	43	42	41										36		19	18
						73				32		30				28		26														3
SALEABLE	NOT APPLICABLE	34566-5743	0	A	BLACK	52	71	70	69						64	63					60	59		57	56	55	54	53				
									49						45	44	43	42	41									37	36		19	18
						73				32		30				28		26														19
SALEABLE	NOT APPLICABLE	34566-5753	0	A	BLACK	52	71	70	69						64	63					60	59		57	56	55	54	53				
									49						45	44	43	42	41									37	36		19	18
						73				32		30				28		26						23			21				19	18
SALEABLE	NOT APPLICABLE	34566-5763	0	C	BLUE	72		70		68		66			63	62				59	58	57						53				
						52	51			48	47	46		44		42		40	39									37	36		34	33
						73				32		30				27	26	25	24					22	21	20						
SALEABLE	NOT APPLICABLE	34566-5773	0	C	BLUE	72		70		68		66			63	62				59	58	57						53				
						52	51			48	47			44		42		40	39									37	36		34	33
						73				32		30				27	26	25	24					22	21	20						
SALEABLE	NOT APPLICABLE	34566-5783	0	C	BLUE	72		70		68		66			63	62				59	58	57						53				
						52	51			48	47			44		42		40	39									37	36		34	33
						73				32		30				27	26	25	24					22	21	20						
SALEABLE	NOT APPLICABLE	34566-5793 SAME AS P/N 34566-4013	0	B	ST GRN	72		70		68		66						60	59									55	54	53		
						52		50		48		46						40	39										35	34	33	
						73				32	31	30	29	28	27	26	25	24														
SALEABLE	NOT APPLICABLE	34566-5813	0	B	ST GRN	72		70		68		66						60	59										55	54	53	
						52		50		48		46						40	39											35	34	33
						73				32	31	30	29	28	27	26	25	24	23													19
SALEABLE	NOT APPLICABLE	34566-5823	0	A	BLACK	72		70								63																
						52			49							43		41														
						73					31	30		28	27	26															20	19
SALEABLE	NOT APPLICABLE	34566-5833	0	A	BLACK	72		70								63																
						52			49							43		41														
						73					31	30		28	27	26															20	19
SALEABLE	NOT APPLICABLE	34566-5843	0	H	ST GRN		79																									
							59		57				74	73	72	71				68	67							65	64	63	62	61
								38						34	33						29		27									
SALEABLE	NOT APPLICABLE	34566-5853	0	H	ST GRN		79																									
							59		57				74	73	72	71				68	67							65	64	63	62	61
								38						34	33						29		27									
SALEABLE	NOT APPLICABLE	34566-5863	0	C	BLUE	72		70				66			63	62				59		57	56	55					53			
						52	51					46		44		42		40	39									37	36		34	33
						73				32		30					26	25						22	21						19	18
SALEABLE	NOT APPLICABLE	34566-5873	0	B	ST GRN	72																										
						52				48	47	46		44	43		41	40														
						73						30																			20	19
SALEABLE	NOT APPLICABLE	34566-5883	0	B	ST GRN	72																										
						52				48	47	46			43		41	40														
						73						30																			20	19



MX123 52/66/73/80-WAY RECEPTACLE ASSY SEALED PIN OUT SHEET

STATUS	GM PART #	HRNS CONN ASSY			TPA	GROMMET CAP																						
		MATERIAL/PART	WIRE DRESS OPTION	KEY OPTION Fp	COLOR OPTION Fp	NUMBERS INDICATE CAVITIES OPEN FOR CIRCUITS																						
		NUMBER				Fp																						
SALEABLE	NOT APPLICABLE	34566-5893	0	C	BLUE	52	51	50	69		67	66			62		60			57		55	54					
						48				46	45	44		42				37					35	34	33			
						73				32				28	27	26									19	18		
SALEABLE	NOT APPLICABLE	34566-5913	0	C	BLUE	52	51	50	69		67	66			64			61	60			57		54				
						48				46	45	44			41			37						34	33			
						73				32				28	27	25									18			
SALEABLE	NOT APPLICABLE	34566-5933	0	C	BLUE	72		70		68		66			63	62			59		57	56	55		53			
						52	51			48	47	46		44		42		40	39						34	33		
						73				32		30				26	25		23	22	21							
SALEABLE	NOT APPLICABLE	34566-5943	0	C	BLUE	72		70		68	67	66			63	62			59		57	56	55		53			
						52	51		49	48	47	46		44		42		40	39						34	33		
						73				32		30			27	26	25			22	21	20						
SALEABLE	NOT APPLICABLE	34566-5953	0	A	BLACK	72	71	70	69					65	64	63	62	61	60			58	57	56	55	54	53	
						52	51		49	48	47			45	44	43	42	41						37	36		34	
						73				32		30	29	28	27	26			24								19	18
SALEABLE	NOT APPLICABLE	34566-5963	0	B	ST GRAY	72	71	70		68	67	66				61	60	59	58	57	56	55	54	53				
						52	51	50		48	47	46				42	41	40	39	38	37	36	35	34	33			
						73				32	31	30	29	28	27	26	25	24									18	
SALEABLE	NOT APPLICABLE	34566-5973	0	C	BLUE	72		70		68	67	66			63	62			59		57	56	55		53			
						52	51			48	47	46		44		42		40	39						34	33		
						73				32		30			27	26	25		22	21					19	18		
SALEABLE	NOT APPLICABLE	34566-5983	0	C	BLUE	52	51	50	69		67	66			64		62		60			57		55	54			
						48				46	45	44		42									37		35	34	33	
						73				32				28	27	26										19	18	
SALEABLE	NOT APPLICABLE	34566-5993	0	A	BLACK	72	71	70	69		67	66	65			63	62	61	60			58	57	56	55	54	53	
						52	51	50	49	48	47			45	44	43	42	41	40	39				37	36	35	34	
						73				32	31	30	29	28	27	26	25	24	23				21	20	19	18	17	
SALEABLE	NOT APPLICABLE	34566-6013	0	B	ST GRAY	72		70	69		67	66	65				61	60	59	58	57			54	53			
						52	51	50	49	48	47	46	45		43			40	39			37				34	33	
						73				32	31	30	29			26		24	23	22	21	20					18	
SALEABLE	NOT APPLICABLE	34566-6023	0	A	BLACK	72	71	70	69		68	67					60	59	58	57	56			54	53			
						52	51	50	49	48	47			45	44	43			40	39	38	37	36	35	34	33		
						73				32	31	30	29	28				24	23	22	21	20	19				17	
SALEABLE	NOT APPLICABLE	34566-6033	0	A	BLACK	72		70	69						63	62	61			58	57	56	55	54	53			
						52	51		49	48				44	43	42	41					37	36		34			
						73				32			29	28	27	26						21			19	18		
SALEABLE	NOT APPLICABLE	34566-6043	0	B	ST GRAY	72				68	67	66	65	64							58			55				
						52	51			48	47	46	45									38			35			
						73				32		30	29	28	27						22				19		17	
SALEABLE	NOT APPLICABLE	34566-6053	0	B	ST GRAY	72				68	67	66	65	64														
						52	51			48	47	46			43		41	40										
						73				32		30												20	19	18		
SALEABLE	NOT APPLICABLE	34566-6063	0	C	BLUE	52	51	50	69		67	66			64		62		60			57		55	54			
						48				46	45	44		42									37		35	34	33	
						73				32				28	27	26										19	18	17

MX123 52/66/73/80-WAY RECEPTACLE ASSY SEALED PIN OUT SHEET

STATUS	GM PART #	HRNS CONN ASSY			TPA	GROMMET CAP																																		
		MATERIAL/PART	WIRE DRESS OPTION	KEY OPTION 	COLOR OPTION 	NUMBERS INDICATE CAVITIES OPEN FOR CIRCUITS																																		
		NUMBER																																						
SALEABLE	NOT APPLICABLE	34566-6073	0	C	BLUE	52	51	50	69	48	67	66	45	64	61	60	57	54	34	33	73																			
										32				28	27	25								18	17															
										16	15	14	13	12	11	10	9																							
SALEABLE	NOT APPLICABLE	34566-6083	0	C	BLUE	72		70		68	67	66			63	62			59		57				53	73														
						52	51			48	47	46		44		42		40	39		37	36			34	33														
										32		30				26	25			22	21																			
SALEABLE	NOT APPLICABLE	34566-6093	0	B	ST GRY	72		70			67				63	62	61	60	59							73														
						52						46			43		41	40																						
																27									20	19	18													
SALEABLE	NOT APPLICABLE	34566-6113	0	A	BLACK	72	71	70	69	68		66	65	64	63	62	61	60		58	57	56	55	54	53	73														
						52	51	50	49	48		46	45	44	43	42	41	40	39	38	37	36			34	33														
										32	31	30	29	28	27	26	25		23	22	21	20	19	18																
SALEABLE	NOT APPLICABLE	34566-6123	0	C	BLUE				69		67	66		64		62		60						54		73														
						52	51	50		48		46	45	44		42					37							34	33											
																28	27	26																						
SALEABLE	NOT APPLICABLE	34566-6133	9	C	BLUE	72		70		68	67				63	62			59		57				53	73														
						52	51			48	47			44		42		40	39	38	37	36			34	33														
										32		30				26	25	24		22	21																			
SALEABLE	NOT APPLICABLE	34566-6173	9	B	ST GRY					67	66															73														
										48	47					41																								
										32	31	30	29		27	26	25	24		22	21			19	18	17														
SALEABLE	NOT APPLICABLE	34566-6183	9	A	BLACK						66														73															
										48	47					41																								
										32	31	30	29		27	26	25	24		22	21			19	18	17														
SALEABLE	NOT APPLICABLE	34566-6193	9	B	ST GRY	72	71	70	69	68	67	66	65	64		62	61	60	59	58	57	56	55	54			73													
						52	51	50	49			46		44			41	40		38	37	36			34	33														
										32	31	30	29	28	27	26	25	24		21	20			18	17															
SALEABLE	NOT APPLICABLE	34566-6213	9	A	BLACK					67	66														73															
										48	47					41																								
										32	31	30	29		27	26	25	24		22	21			19	18	17														
SALEABLE	NOT APPLICABLE	34566-6223	9	C	BLUE	72		70		68		66			63	62			59		57				53	73														
						52	51			48	47	46		44				40	39									34	33											
										32		30			27	26	25			22	21	20																		
SALEABLE	NOT APPLICABLE	34566-6233	9	B	ST GRY	72		70		68		66					60	59					55	54	53	73														
						52		50		48		46				40	39						35	34	33															
										32	31	30	29	28	27	26	25	24																						
SALEABLE	NOT APPLICABLE	34566-6243	9	A	BLACK		71	70	69					64	63			60	59	58	57	56	55	54	53	73														
						52	51	50	49				45	44	43	42	41		39		37	36			34															
										32		30		28		26										19	18													
SALEABLE	NOT APPLICABLE	34566-6253	9	C	BLUE	72		70		68	67	66			63	62			59		57				53	73														
						52	51		49	48	47	46		44				40	39			37	36			34	33													
										32		30			27	26	25	24		22	21	20																		
SALEABLE	NOT APPLICABLE	34566-6263	9	B	ST GRY	72	71	70		68	67	66			62	61	60	59	58	57	56	55	54	53	73															
						52	51	50		48	47	46			42	41	40	39	38	37	36	35	34	33																
										32	31	30	29	28	27	26	25	24									18	17												

MX123 52/66/73/80-WAY RECEPTACLE ASSY SEALED PIN OUT SHEET

STATUS	GM PART #	HRNS CONN ASSY			TPA	GROMMET CAP																											
		MATERIAL/PART	WIRE DRESS OPTION	KEY OPTION Fp	COLOR OPTION Fp	NUMBERS INDICATE CAVITIES OPEN FOR CIRCUITS																											
		NUMBER				Fp																											
SALEABLE	NOT APPLICABLE	34566-6273	9	B	ST GRY			71	70	69				65	64	63	62	61	60		58	57	56	55	54	53							
						52	51	50	49	48	47		45	44	43	42	41		39								36		19	18			
						73			32		30	29	28	27	26				24											3			
SALEABLE	NOT APPLICABLE	34566-6283	9	C	BLUE	72			70		68	67	66				63	62			59		57					53					
						52	51			48	47	46		44					40	39										34	33		
						73			32		30				27	26	25				22	21											
SALEABLE	NOT APPLICABLE	34566-6293	9	B	ST GRY	72	71	70		68	67	66				62	61	60	59	58	57	56	55	54	53								
						52	51	50		48	47	46				42	41	40	39	38	37	36	35	34	33								
						73			32	31	30	29	28	27	26	25	24														17		
SALEABLE	NOT APPLICABLE	34566-6313	9	B	ST GRY			70	69						63	62	61	60		58	57	56	55	54	53								
						52	51	50	49					44	43	42	41		39											34	33		
						73			32		30	29	28	27	26															19	18		
SALEABLE	NOT APPLICABLE	34566-6323	9	B	ST GRY		71	70	69						64	63			60	59	58	57	56	55	54	53							
						52	51	50	49				45	44	43	42	41		39												34	33	
						73			32		30		28		26																19	18	
SALEABLE	NOT APPLICABLE	34566-6333	9	C	BLUE	72			70		68	67	66				63	62			59		57	56	55	54	53						
						52	51			48	47	46		44					40	39											34	33	
						73			32		30			27	26	25				22	21									19	18		
SALEABLE	NOT APPLICABLE	34566-6343	9	A	BLACK			70	69						63	62	61	60		58	57	56	55	54	53								
						52	51	50	49				44	43	42	41	40	39													34	33	
						73			32		30	29	28	27	26															19	18	17	
SALEABLE	NOT APPLICABLE	34566-6353	9	C	BLUE	72			70		68		66				63	62			59	58	57	56	55	54	53						
						52	51			48	47	46		44					40	39											34	33	
						73			32		30			27	26	25				23	22	21	20									17	
SALEABLE	NOT APPLICABLE	34566-6363	9	B	ST GRY	72			70		68		66					60	59									55	54	53			
						52		50		48		46							40	39											35	34	33
						73			32	31	30	29	28	27	26	25	24	23													19	18	17
SALEABLE	NOT APPLICABLE	34566-6373	9	A	BLACK	72	71	70	69		67			64	63			60	59	58	57	56	55	54	53								
						52	51	50	49		47		45	44	43	42	41	40	39												34	33	
						73			32		30		28		26				23		21									19	18	17	
SALEABLE	NOT APPLICABLE	34566-6383	9	A	BLACK	72	71	70	69		68		66	65	64	63		61	60			57	56						54	53			
						52	51	50	49		48		46	45	44	43	42	41	40	39	38	37	36								34	33	
						73			32	31	30	29	28							23	22	21										2	1
SALEABLE	NOT APPLICABLE	34566-6393	9	C	BLUE		71	70	69		67	66	65	64		62	61	60		58	57							55	54				
						52	51	50	49		48	47	46	45	44		42	41				38	37								35	34	33
						73			32		30		28	27	26	25															19	18	17
SALEABLE	NOT APPLICABLE	34566-6413	9	B	ST GRY	72				68	67					63	62	61	60	59								55					
						52				48	47	46		44	43		41	40															
						73					30			27																20	19	18	17
SALEABLE	NOT APPLICABLE	34566-6423	9	C	BLUE				70	69		67	66	65	64															54			
						52	51	50	49		47	46	45	44							39	38										34	
						73					31	30	29	28		26	25				23	22	21										
SALEABLE	NOT APPLICABLE	34566-6433	9	A	BLACK	72			70			67				63			60	59	58	57	56	55									
						52	51			48	47	46			43	42		40	39	38	37	36	35										
						73								28	27																	18	17




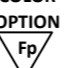

MX123 52/66/73/80-WAY RECEPTACLE ASSY SEALED PIN OUT SHEET

STATUS	GM PART #	HRNS CONN ASSY			TPA	GROMMET CAP																					
		MATERIAL/PART	WIRE DRESS OPTION	KEY OPTION ▽ Fp	COLOR OPTION ▽ Fp	NUMBERS INDICATE CAVITIES OPEN FOR CIRCUITS																					
		NUMBER				▽ Fp																					
SALEABLE	NOT APPLICABLE	34566-6443	9	B	ST GRAY	72	71	70	69	68	67	66	65	64	63		61	60			57	56	55				
						52	51	50	49	48	47	46	45	44	43		41	40			38	37	36	35	34	33	
						73				32	31	30	29	28		26	25	24	23	22	21	20	19	18	17		
SALEABLE	NOT APPLICABLE	34566-6453	0	C	BLUE		71	70	69		67		65	64		62	61	60			57			54			
						52	51	50	49	48	47	46	45	44		42	41			37				34	33		
						73				32				28	27	26	25								18	17	
SALEABLE	NOT APPLICABLE	34566-6463	0	B	ST GRAY	72				68	67					62	61							55			
						52				48	47	46			43												
						73						30										20	19	18			
SALEABLE	NOT APPLICABLE	34566-6473	9	C	BLUE			70	69		67	66		64		62		60			57		55	54			
						52	51	50		48		46	45	44		42				37				35	34	33	
						73				32				28	27	26									19	18	17
SALEABLE	NOT APPLICABLE	34566-6483	9	A	BLACK	72	71	70	69	68		66	65	64	63		61	60			57	56		54	53		
						52	51	50	49	48		46	45	44	43			40	39	38	37	36			34	33	
						73				32	31	30	29	28		26	25		23	22	21	20					
SALEABLE	NOT APPLICABLE	34566-6493	9	B	ST GRAY	72			70						62	61								55			
						52				48	47	46			43			41	40								
						73						30										20	19	18			
SALEABLE	NOT APPLICABLE	34566-6513	0	B	ST GRAY					68	67					62	61						55	54			
						52						46			43			40									
						73				16	15	14							8				4	3	2		
SALEABLE	NOT APPLICABLE	34566-6523	0	B	ST GRAY					68	67			64					59	58				54			
												46	45						39	38							
						73				32		30	29	28	27				23	22							17
SALEABLE	NOT APPLICABLE	34566-6533	9	B	ST GRAY					68	67			64													
												46	45														
						73				32		30	29	28	27												17
SALEABLE	NOT APPLICABLE	34566-6543	9	A	BLACK					68	67			64													
												46	45														
						73				32	31	30	29	28		26	25		23	22	21	20					2
SALEABLE	NOT APPLICABLE	34566-6553	9	A	BLACK	72	71	70	69		67		64	63		60	59	58	57	56	55	54	53				
						52	51	50	49		47		45	44	43	42	41	40	39		37	36			34		
						73				32		30		28		26							19	18	17		
SALEABLE	NOT APPLICABLE	34566-6563	9	C	BLUE			70		68		66		64	63		60	59	58	57				53			
						52	51			48	47	46		44				40	39						34	33	
						73				32		30			27	26	25		23	22	21	20					17
SALEABLE	NOT APPLICABLE	34566-6573	9	A	BLACK					68	67			64	63		60	59	58	57	56	55	54	53			
						52	51	50	49		47		45	44	43	42	41	40	39		37	36			34		
						73				32		30		28		26			23		21		19	18			
SALEABLE	NOT APPLICABLE	34566-6583	9	A	BLACK			70	69					64	63	62	61	60		58	57	56	55	54	53		
						52	51	50	49					44	43	42	41	40	39		37	36			34		
						73				32			29	28	27	26										19	18
SALEABLE	NOT APPLICABLE	34566-6593	0	C	BLUE				69		67			64		62		60			57		55	54			
						52	51	50		48		46	45	44		42				37				35	34	33	
						73				32				28	27	26							20	19	18	17	

MX123 52/66/73/80-WAY RECEPTACLE ASSY SEALED PIN OUT SHEET

STATUS	GM PART #	HRNS CONN ASSY			TPA	GROMMET CAP																					
		MATERIAL/PART	WIRE DRESS OPTION	KEY OPTION		COLOR	NUMBERS INDICATE CAVITIES OPEN FOR CIRCUITS																				
		NUMBER		OPTION Fp		OPTION Fp	Fp																				
SALEABLE	NOT APPLICABLE	34566-6613	0	A	BLACK	72	71	70	69			66		64	63		61	60			57	56		54	53		
						52	51	50	49			46	45	44	43		26	25		23	22	21				34	33
						73				32	31	30	29	28					9		7	6	5				2
SALEABLE	NOT APPLICABLE	34566-6623	9	B	ST GRAY					68	67			64				59	58			54					
												46	45					39	38								
						73				32		30	29	28	27				23	22							17
SALEABLE	NOT APPLICABLE	34566-6633	9	C	BLUE				69		67	66		64		62		60			57			54			
						52	51	50		48		46	45	44		42						37				34	33
						73								28	27	26											
SALEABLE	NOT APPLICABLE	34566-6643	9	C	BLUE		71			68	67		65	64	63		61	60		58	57			54			
						52	51	50		48			45		43		41				38	37				34	33
						73								28	27		25										18
SALEABLE	NOT APPLICABLE	34566-6653	9	B	ST GRAY	72				68						62	61	60	59					55			
						52				48	47	46		44	43		41	40		38	37	36	35				
						73						30										20	19	18			1
SALEABLE	NOT APPLICABLE	34566-6663	9	A	BLACK	72	71	70	69	68			66	65	64	63			60			57	56		54		
						52	51	50	49	48		46	45	44	43	42		40	39	38	37	36				34	
						73				32	31	30	29	28			26	25		23	22	21	20				
SALEABLE	NOT APPLICABLE	34566-6673	9	B	ST GRAY	72	71	70	69	68	67	66	65	64	63		61	60	59		57	56	55				
						52	51	50	49	48	47	46	45	44	43		41	40	39	38	37	36	35	34	33		
						73				32	31	30	29	28		26		24	23	22	21	20	19	18	17		
SALEABLE	NOT APPLICABLE	34566-6683	9	A	BLACK			70			67					63		60	59	58	57						
						52				48	47	46			43	42		40	39	38	37						
						73				32	31	30	29	28	27						22	21					2
SALEABLE	NOT APPLICABLE	34566-6693	9	C	BLUE	72	71	70	69		67	66	65	64						56				54			
						52	51	50	49		47	46	45	44					39	38					34		
						73						31	30	29	28		26	25	24	23	22	21					17
SALEABLE	TBD	34822-0063	9	A	BLACK		63	62	61	60	59					54	53		51		49			66			
							47								38	37		35		33							
						65								28			25			22	21	20	19	18	17		
SALEABLE	NOT APPLICABLE	34566-6713	9	A	BLACK	72	71	70	69	68			66	65	64	63		61	60		57	56		54	53		
						52	51	50	49	48		46	45	44	43	42	41	40	39	38	37	36				34	33
						73				32	31	30	29	28		26	25		23	22	21						2
SALEABLE	NOT APPLICABLE	34566-6723	0	H	ST GRAY		79						74	73					67		65	64	63	62	61		
							59							53	52						25			44	43	42	41
								38						33							27						
SALEABLE	NOT APPLICABLE	34566-6733	0	G	BLUE			78	77		75	74		72		70				64	63						
						60		58	57		55	54		52	51	50	49		47		45						
						40	39	38	37				33	32	31				27	26							
SALEABLE	NOT APPLICABLE	34566-6743	9	C	BLUE		71		69	68	67		65	64	63		61	60		57				54	53		
						52	51	50		48		46	45		43		41			37						34	33
						73				16	15	14	13	12	11	10	9	8	7								
SALEABLE	NOT APPLICABLE	34566-6753	9	A	BLACK	72	71	70	69	68			66	65	64			61	60		57	56		54	53		
						52	51	50	49	48		46	45	44	43	42		40	39	38	37	36				34	33
						73						31	30	29	28					23	22	21	20				

MX123 52/66/73/80-WAY RECEPTACLE ASSY SEALED PIN OUT SHEET

STATUS	GM PART #	HRNS CONN ASSY			TPA	GROMMET CAP																										
		MATERIAL/PART	WIRE DRESS OPTION	KEY OPTION 	COLOR OPTION 	NUMBERS INDICATE CAVITIES OPEN FOR CIRCUITS 																										
		NUMBER																														
SALEABLE	NOT APPLICABLE	34566-6763	9	B	ST GRV	72				68						62	61							55								
						52		50	49			46	45			43			40						22	21	20	19	18			
						73						14						8			6	5	4									
SALEABLE	NOT APPLICABLE	34566-6773	0	C	BLUE	72		70		68					63	62							59	58	57			53				
						52	51		49	48	47	46		44		42		40	39										34	33		
						73						30					26	25			22	21						19	18	17		
SALEABLE	NOT APPLICABLE	34566-6783	0	B	ST GRV	72		70		68										60	59						55	54	53			
						52		50		48		46			43			40	39										35	34	33	
						73				32	31	30	29	28	27	26	25	24	23												2	1
SALEABLE	NOT APPLICABLE	34566-6793	0	B	ST GRV	72		70		68				64	63					60	59						55	54	53			
						52		50		48		46			43			40	39										35	34	33	
						73				32	31	30	29	28	27	26	25	24	23									20			2	1
SALEABLE	NOT APPLICABLE	34566-6813	9	A	BLACK		71	70	69	68	67			65	64	63	62	61	60			58	57	56	55	54	53					
						52	51	50	49	48	47			45	44	43	42	41	40	39					37	36			34			
						73				32		30	29	28	27	26	25	24									21				18	
SALEABLE	NOT APPLICABLE	34566-6823	9	C	BLUE	72		70		68	67					63	62					59		57				53				
						52	51		49	48	47	46		44				41	40	39							37	36	35	34	33	
						73						30			27	26	25	24									22	21	20			
SALEABLE	NOT APPLICABLE	34566-6833	0	A	BLACK			70	69																							
						52	51		49	48	47			44	43	42	41	40												34	33	
						73				32						28														19	18	
SALEABLE	NOT APPLICABLE	34566-6843	0	A	BLACK		71	70	69	68				65	64	63																
						52	51	50	49	48			46	45	44	43			40	39	38	37	36						34	33		
						73				32	31	30	29	28		26	25		23	22	21	20									2	
SALEABLE	NOT APPLICABLE	34566-6853	0	C	BLUE				69																							
						52	51	50	49	48		46	45	44		42	41											37		35	34	33
						73				32					28	27	26	25													19	18
SALEABLE	NOT APPLICABLE	34566-6863	0	A	BLACK		71	70	69	68																						
						52	51	50	49	48			46	45	44	43	42		40	39	38	37	36							34	33	
						73				32	31	30	29	28		26	25		23	22	21	20										2
SALEABLE	NOT APPLICABLE	34566-6873	9	B	ST GRV	72				68	67					63	62	61	60								55	54	53			
						52				48	47	46		44	43		41	40										38	37	36	35	
						73						30			27														20	19	18	17
SALEABLE	NOT APPLICABLE	34566-6883	9	A	BLACK			70																								
						52	51			48	47	46			43	42		40	39	38	37	36	35									
						73									12	11		9		7		5									18	17
SALEABLE	NOT APPLICABLE	34566-6893	0	B	ST GRV	72	71	70	69	68	67	66	65	64	63	62	61	60	59					57	56	55						
						52	51	50	49	48	47	46	45	44	43		41	40	39	38	37	36	35	34	33							
						73				32	31	30	29	28		26		24	23	22	21	20	19	18	17							
SALEABLE	NOT APPLICABLE	34566-6913	9	A	BLACK				69	68	67	66	65	64	63																	
						52	51	50	49	48	47	46	45	44	43	42		40	39	38	37	36	35	34								
						73				32	31	30	29	28	27	26	25		23	22	21	20									2	1
SALEABLE	NOT APPLICABLE	34566-6923	9	C	BLUE		71	70	69																							
						52	51	50	49	48	47	46	45	44				41		39	38	37								34	33	
						73				32	31	30	29	28	27	26	25	24	23	22	21										18	17

MX123 52/66/73/80-WAY RECEPTACLE ASSY SEALED PIN OUT SHEET

STATUS	GM PART #	HRNS CONN ASSY			TPA	GROMMET CAP																								
		MATERIAL/PART	WIRE DRESS OPTION	KEY OPTION Fp	COLOR OPTION Fp	NUMBERS INDICATE CAVITIES OPEN FOR CIRCUITS																								
		NUMBER				Fp																								
SALEABLE	NOT APPLICABLE	34566-6933	9	B	ST GRY	72				68	67					63	62	61	60	59				55			53			
						52				48	47	46		44	43									38	37	36	35			
						73							30			27						8			6			4		
SALEABLE	NOT APPLICABLE	34566-6943	9	A	BLACK	72	71	70	69	68		66	65	64	63		61	60					57	56		54	53			
						52	51	50	49	48		46	45	44	43	42	41	40	39	38	37	36					34	33		
						73					32	31	30	29	28							23	22	21						2
SALEABLE	NOT APPLICABLE	34566-6953	0	A	BLACK	72	71	70	69			66	65	64	63		61	60					57	56		54	53			
						52	51	50	49			46	45	44	43			40	39	38	37	36					34	33		
						73					32	31	30	29	28			26	25			23	22	21	20				2	1
SALEABLE	NOT APPLICABLE	34566-6963	0	B	ST GRY	72		70		68	67					62	61								55					
						52				48	47	46			43				40								20	19	18	
						73							30														8		4	2
SALEABLE	NOT APPLICABLE	34566-6973	0	C	BLUE		71	70	69			67		65	64		62	61	60					57		55	54			
						52	51	50	49	48	47	46	45	44		42	41									37		35	34	33
						73					32					28	27	26	25										19	18
SALEABLE	NOT APPLICABLE	34566-6983	0	C	BLUE		71		69			67		65	64		62	61	60					57		54				
						52	51	50		48	47	46	45	44		42										37		34	33	
						73										28	27	26											18	
SALEABLE	NOT APPLICABLE	34566-6993	0	G	BLUE			78	77	76												67	66	65						
						40	39	38	37	36	35	34	33	32						29	28						25		21	
						20	19	18	17	16	15	14	13	12															3	1
SALEABLE	NOT APPLICABLE	34566-7013	9	A	BLACK		71	70	69					64	63	62	61	60	59	58	57	56	55	54	53					
						52	51	50	49				45	44	43	42	41		39								37	36	34	
						73					32				29	28	27	26											19	18
SALEABLE	NOT APPLICABLE	34566-7023	0	A	BLACK	72	71	70	69	68		66	65	64			61	60					57	56		54	53			
						52	51	50	49	48		46	45	44	43			40	39	38	37	36					34	33		
						73							31	30	29	28			26	25			23	22	21	20			2	
SALEABLE	NOT APPLICABLE	34566-7033	0	A	BLACK			70	69					65		63	62	61	60				58	57	56	55	54	53		
						52	51		49					44	43	42	41									37	36		34	
						73					32				29	28	27	26							21			19	18	
SALEABLE	NOT APPLICABLE	34566-7043	0	B	ST GRY	72				68	67					63	62	61	60	59					55					
						52						46			43			41	40											
						73												27										20	19	18
SALEABLE	NOT APPLICABLE	34566-7053	0	C	BLUE		71		69			67		65	64		62	61	60					57		54				
						52	51	50	49	48	47	46	45	44		42	41									37		34	33	
						73					16	15	14	13	12	11	10	9	8	7										
SALEABLE	NOT APPLICABLE	34566-7063	0	C	BLUE	72		70		68	67	66			63	62			59				57				53			
						52	51			48	47	46		44				40	39									34	33	
						73					32		30					26	25					22	21					
SALEABLE	NOT APPLICABLE	34566-7073	9	F	NATURAL				69	68													58	57			33			
						73																						19	18	17
																													3	2
SALEABLE	NOT APPLICABLE	34566-7083	9	B	ST GRY																									
						73					16	15	14	13	12	11	10			8	7							3	2	1





MX123 52/66/73/80-WAY RECEPTACLE ASSY SEALED PIN OUT SHEET

STATUS	GM PART #	HRNS CONN ASSY			TPA	GROMMET CAP																							
		MATERIAL/PART	WIRE DRESS OPTION	KEY OPTION Fp	COLOR OPTION Fp	NUMBERS INDICATE CAVITIES OPEN FOR CIRCUITS																							
		NUMBER				Fp																							
SALEABLE	TBD	34822-0083	9	A	BLACK	63	62	61	60	59					54	53		51	49	66									
						47								39	38	37		35				20	19	18	17				
						65						28			25		8	7			22	21	20	19	18	17			
SALEABLE	NOT APPLICABLE	34566-7253	0	B	ST GRY	72								62	61														
						52				48	47	46		44	43		41	40											
						73							30										20	19	18				
SALEABLE	NOT APPLICABLE	34566-7263	0	C	BLUE				69		67	66		64		62		60					54						
						52	51	50		48		46	45	44		42						37			34	33			
						73							28	27	26											18			
SALEABLE	NOT APPLICABLE	34566-7273	0	C	BLUE				69		67	66		64		62		60						54					
						52	51	50		48		46	45	44		42						37			34	33			
						73							28	27	26											18			
SALEABLE	NOT APPLICABLE	34566-7283	0	C	BLUE				69		67	66		64		62		60						54					
						52	51	50		48		46	45	44		42						37			34	33			
						73							28	27	25											18			
SALEABLE	NOT APPLICABLE	34566-7293	9	A	BLACK	72	71	70	69	68	67	66	65	64	63	62	61	60	59						53				
						52	51	50	49	48	47	46	45	44	43							39				34	33		
						73							32	31	30	29	28	27	26	25	24	23					17		
SALEABLE	NOT APPLICABLE	34566-7313	0	B	ST GRY											62	61							55					
						52				48	47	46			43				40										
						73							30										22	21	20	19	18		
SALEABLE	NOT APPLICABLE	34566-7333	9	B	ST GRY	72	71	70	69	68	67	66	65	64	63	62	61	60	59							53			
						52	51	50	49	48	47	46	45	44	43				41	40	39	38	37	36	35	34	33		
						73							32	31	30	29	28		26		24	23	22	21	20	19	18	17	
SALEABLE	NOT APPLICABLE	34566-7343	9	B	ST GRY					68	67			64	63										54				
												46	45	44	43												35		
						73							32		30	29	28	27					23	22			19	17	
SALEABLE	NOT APPLICABLE	34566-7353	9	C	BLUE				69		67	66		64		62		60							54				
						52	51	50		48	47	46	45	44		42								37			34	33	
						73							32				28	27	26								19	18	17
SALEABLE	NOT APPLICABLE	34566-7363	0	B	ST GRY			70																	55				
						52						46		44	43			41	40										
						73							16	15	14											20	19	18	17
SALEABLE	NOT APPLICABLE	34566-7373	0	A	BLACK	72	71	70	69	68		66	65	64			61	60								53			
						52	51	50	49	48		46	45	44	43	42		40	39	38	37	36					34	33	
						73							31	30	29	28		26	25		23	22	21	20					
SALEABLE	NOT APPLICABLE	34566-7383	0	C	BLUE		71	70																		54			
						52	51	50	49	48	47		45	44				41										34	33
						73							32				28	27		25									17
SALEABLE	NOT APPLICABLE	34566-7393	0	B	ST GRY																					55			
						52				48	47	46		44	43				40										
						73							16	15	14											20	19	18	
SALEABLE	NOT APPLICABLE	34566-7413	0	A	BLACK	72	71	70	69	68		66	65	64	63		61	60									53		
							51	50	49	48		46	45	44	43	42		40	39	38	37	36						34	33
						73							32	31	30	29	28		26	25		23	22	21	20				







### MX123 52/66/73/80-WAY RECEPTACLE ASSY SEALED PIN OUT SHEET

STATUS	GM PART #	HRNS CONN ASSY			TPA	GROMMET CAP																				
		MATERIAL/PART	WIRE DRESS OPTION	KEY OPTION Fp	COLOR OPTION Fp	NUMBERS INDICATE CAVITIES OPEN FOR CIRCUITS																				
		NUMBER				Fp																				
SALEABLE	NOT APPLICABLE	34566-7683	9	B	ST GRY	72	71	70	69	68	67	66	65	64	63	62	61	60	59	58	57	56	55	54	53	
						52	51	50	49	48	47	46	45	44	43	42	41	40	39	38	37	36	35	34	33	
						73				32	31	30	29	28	27	26	25	24	23	22	21	20	19	18	17	
SALEABLE	NOT APPLICABLE	34566-7693	9	A	BLACK	72							64		62	61				57	56	55	54			
						52	51					46	45		43			40			37		35	34		
						73				32	31	30	29	28	27	26	25	24	23	22	21	20	19	18	17	
SALEABLE	NOT APPLICABLE	34566-7713	9	A	BLACK	72							64		62	61			58	57	56	55	54			
						52	51			48		46	45		43		41	40			37		35	34		
						73				32		30	29	28	27	26	25	24	23	22	21	20	19	18	17	
SALEABLE	NOT APPLICABLE	34566-7723	9	A	BLACK	72							64		62	61			57	56	55	54	53			
						52	51			48		46	45		43		41	40			37		35	34		
						73				32		30	29	28	27	26	25	24	23	22	21	20	19	18	17	
SALEABLE	NOT APPLICABLE	34566-7733	9	A	BLACK	72							64		62	61			57	56	55	54	53			
						52	51			48		46	45		43		41	40			37		35	34		
						73				32		30	29	28	27	26	25	24	23	22	21	20	19	18	17	
SALEABLE	NOT APPLICABLE	34566-7743	0	C	BLUE	72		70		68	67	66		64	63	62	61	60	59	58	57	56	55	54	53	
						52	51		49	48	47	46		44		41	40	39		37	36	35	34	33		
						73				32		30	29	28	27	26	25	24	23	22	21	20	19	18	17	
SALEABLE	NOT APPLICABLE	34566-7753	0	A	BLACK		71	70	69	68	67			64	63	62	61	60	59	58	57	56	55	54	53	
						52	51	50	49			45	44	43	42	41		39	38	37	36	35	34	33		
						73				32	31	30	29	28	27	26	25	24	23	22	21	20	19	18	17	
SALEABLE	NOT APPLICABLE	34566-7763	0	F	NATURAL																					
						73																				
SALEABLE	NOT APPLICABLE	34566-7773	0	B	ST GRY	72		70			67				63	62	61	60	59							
						52						46			43		41	40								
						73				16		14			11					6		4				
SALEABLE	TBD	34822-0153	9	A	BLACK		63	62	61	60	59				54	53		51		49	66					
							47								38	37		35		33						
						65						15	14	13	12			28		25		22	21	20	19	18
SALEABLE	NOT APPLICABLE	34566-7783	0	A	BLACK	72	71	70	69	68		66	65	64	63			60		57	56		54			
						52	51	50	49	48		46	45	44	43	42	41	40	39	38	37	36		34		
						73				32	31	30	29	28			26	25		23	22	21				2
SALEABLE	NOT APPLICABLE	34566-7793	0	A	BLACK	72		70			67	66	65		63			60	59	58	57	56	55			
						52	51		49	48	47	46	45		43	42		40	39	38	37	36	35			
						73								28	27			23	22	21					18	17
SALEABLE	NOT APPLICABLE	34566-7813	0	A	BLACK			70	69	68	67				63	62	61	60	59	58	57	56	55	54	53	
						52	51	50	49					44	43	42	41	40	39	38	37	36		34		
						73				32			29	28	27	26	25			21		19	18			
SALEABLE	NOT APPLICABLE	34566-7823	0	B	ST GRY					68	67				63	62	61	60	59							
						52				48	47	46		44	43		41	40		38	37	36	35			
						73				16		14			11			8			4					
SALEABLE	NOT APPLICABLE	34566-7833	0	B	ST GRY	72	71	70	69	68	67	66	65	64	63		61	60	59		57	56	55			
						52	51	50	49	48	47	46	45	44	43		41	40	39	38	37	36	35	34	33	
						73				32	31	30	29	28			26	25	24	23	22	21	20	19	18	17

MX123 52/66/73/80-WAY RECEPTACLE ASSY SEALED PIN OUT SHEET

STATUS	GM PART #	HRNS CONN ASSY			TPA	GROMMET CAP																								
		MATERIAL/PART	WIRE DRESS OPTION	KEY OPTION $\nabla_{Fp}$	COLOR OPTION $\nabla_{Fp}$	NUMBERS INDICATE CAVITIES OPEN FOR CIRCUITS																								
		NUMBER				$\nabla_{Fp}$																								
SALEABLE	NOT APPLICABLE	34566-7843	9	C	BLUE	52	71	50	49	48	67	47	65	64	45	44	62	61	60	58	57	54	33							
						73				16	15	14	13	12	11	10	9							18						
SALEABLE	NOT APPLICABLE	34566-7853	9	C	BLUE	72	71	70	69	68	67	66	65	64	63	62	61	60	59	58	57	54	33							
						73				16	15	14	13	12	11	10	9	8	7	6	5				17					
SALEABLE	NOT APPLICABLE	34566-7863	9	C	BLUE	72		70		68	67	66			63	62			59		57		53							
						73				32		30				27	26	25	24		22	21		33						
										15	14					10	9	8		6	5	4		2						
SALEABLE	NOT APPLICABLE	34566-7873	9	A	BLACK		71		69				65	64			61	60		58		56	55	54						
												31		29	28					38			35							
						73				16				12	11								19	18	17					
										16													3		1					
SALEABLE	NOT APPLICABLE	34566-7883	9	A	BLACK	72				68	67	66	65																	
												48	47						40		38		35		33					
						73						31	30						25	24	23	22	21	20	19	17				
																			9	8	7	6	5	4	2	1				
SALEABLE	NOT APPLICABLE	34566-7893	9	A	BLACK	72	71	70	69	68		66	65	64	63		61	60		57	56		54	53						
						73				32	31	30	29	28					40	39	38	37	36		34	33				
												15	14	13	12						7	6	5	4		2				
SALEABLE	TBD	34822-0163	0	A	BLACK	64	63									54	53		51		49	66								
																	38	37		35		33		20	19	18	17			
						65						15	14	13									21	20	19	18	17			
																			8	7			4	3	2	1				
SALEABLE	NOT APPLICABLE	34566-7913	9	G	BLUE	80	79	78			75				71	70			67					61						
																51	50	49	48	47		45	44		42	41				
												40	39		37	36		34	33	32		30	29	28	27	25	24	23	22	21
												20	19	18				13	12	11		9	8		5		3	2	1	
SALEABLE	NOT APPLICABLE	34566-7923	0	C	BLUE		71	70			67			64				61	60			57		54						
						73				32		48	47		45	44			41			37		34	33					
												16	15	14	13	12	11	10	9	8	7				18	17				
SALEABLE	NOT APPLICABLE	34566-7933	0	A	BLACK	72	71	70	69	68		66	65	64	63		61	60		57	56		54	53						
						73				32	31	30	29	28					40	39	38	37	36		34	33				
												15	14	13	12						7	6	5	4		2				
SALEABLE	NOT APPLICABLE	34566-7943	0	B	ST GRY	72										62	61	60	59				55							
						73						48	47	46			43		41	40		38	37	36	35					
												16	15	14								22	21	20	19	18	17			
																					6			4		1				
SALEABLE	NOT APPLICABLE	34566-7953	0	B	ST GRY	72										62	61	60	59				55							
						73						48	47	46			43		41	40		38	37	36	35					
												16	15	14								22	21	20	19	18	17			
																					6			4		2				
SALEABLE	NOT APPLICABLE	34566-7963	9	A	BLACK	72	71	70	69	68		66	65	64	63		61	60		57	56		54	53						
						73				32	31	30	29	28			26	25		23	22	21	20		34	33				
												15	14	13	12					9	7	6	5	4		2				
SALEABLE	NOT APPLICABLE	34566-7973	9	B	ST GRY	72										62	61	60	59				55							
						73						48	47	46	45		43		41	40		38	37	36	35	34				
												16	15	14								22	21	20	19	18	17			
																					6			4		1				
SALEABLE	NOT APPLICABLE	34566-7983	9	B	ST GRY	72										62	61	60	59				55							
						73						48	47	46	45		43		41	40		38	37	36	35	34				
												16	15	14								22	21	20	19	18	17			

MX123 52/66/73/80-WAY RECEPTACLE ASSY SEALED PIN OUT SHEET

STATUS	GM PART #	HRNS CONN ASSY			TPA	GROMMET CAP																																	
		MATERIAL/PART	WIRE DRESS OPTION	KEY OPTION ▽ Fp	COLOR OPTION ▽ Fp	NUMBERS INDICATE CAVITIES OPEN FOR CIRCUITS																																	
		NUMBER				▽ Fp																																	
SALEABLE	NOT APPLICABLE	34566-7993	9	C	BLUE	70	69	48	67	66	64	61	60	57	54	52	51	50	49	48	47	46	45	44	41	40	37	34	33										
						73	32	28	27	25	18	17	16	15	14	13	12	11	10	9	8	7	6	5	4	3	2	1											
SALEABLE	NOT APPLICABLE	34566-8013	9	C	BLUE	71			67		65	64		57		54		52	51	50		48	47	45	44		41	40	39	37						34	33		
						73	32	28	27	25	18	17	16	15	14	13	12	11	10	9	8	7	6	5	4	3	2	1											
SALEABLE	TBD	34822-0173	9	A	BLACK	64				58	57	56	55	54		52		50																					
						73	32	31	30	29	27	26	24	23	16	15	14	13	12	11	10	9	8	7	6	5	4	3	2	1									
SALEABLE	NOT APPLICABLE	34566-8023	9	C	BLUE	72			69	68				63	62		59		56	55																			
						73	32	31	30	29	27	26	24	23	16	15	14	13	12	11	10	9	8	7	6	5	4	3	2	1									
SALEABLE	NOT APPLICABLE	34566-8033	9	B	ST GRAY	71	70	69		67	66	65	64	63				58	57	56																			
						73	32	31	29	28	27	26	25	24	23	16	15	14	13	12	11	10	9	8	7	6	5	4	3	2	1								
SALEABLE	NOT APPLICABLE	34566-8043	9	A	BLACK					67					62	61		59	58																				
						73	32	31	30	29	27	26	25	24	23	16	15	14	13	12	11	10	9	8	7	6	5	4	3	2	1								
SALEABLE	NOT APPLICABLE	34566-8053	9	A	BLACK	72				68	67	66						59																					
						73	32	31	30	29	27	26	25	24	23	16	15	14	13	12	11	10	9	8	7	6	5	4	3	2	1								
SALEABLE	NOT APPLICABLE	34566-8063	9	C	BLUE	71		69				65	64		61	60		58		56	55																		
						73	32	31	29	28	27	26	25	24	23	16	15	14	13	12	11	10	9	8	7	6	5	4	3	2	1								
SALEABLE	NOT APPLICABLE	34566-8073	9	B	ST GRAY			69				65	64	63																									
						73	32	31	30	29	27	26	25	24	23	16	15	14	13	12	11	10	9	8	7	6	5	4	3	2	1								
SALEABLE	NOT APPLICABLE	34566-8083	9	B	ST GRAY										62		59	58																					
						73	32	31	30	29	27	26	25	24	23	16	15	14	13	12	11	10	9	8	7	6	5	4	3	2	1								
SALEABLE	NOT APPLICABLE	34566-8093	9	A	BLACK	71		69	68		66	65	64		62	61																							
						73	32	31	30	29	27	26	25	24	23	16	15	14	13	12	11	10	9	8	7	6	5	4	3	2	1								
SALEABLE	NOT APPLICABLE	34566-8113	9	C	BLUE				68					63	62	61	60	59	58	57																			
						73	32	31	30	29	27	26	25	24	23	16	15	14	13	12	11	10	9	8	7	6	5	4	3	2	1								
SALEABLE	NOT APPLICABLE	34566-8123	0	G	BLUE	80	79					73	72		70	69	68	67	66	65	64																		
						73	32	31	30	29	27	26	25	24	23	16	15	14	13	12	11	10	9	8	7	6	5	4	3	2	1								
SALEABLE	NOT APPLICABLE	34566-8133	0	G	BLUE	80	79	78	77	75		72	71	70	69	68		66																					
						73	32	31	30	29	27	26	25	24	23	16	15	14	13	12	11	10	9	8	7	6	5	4	3	2	1								
SALEABLE	NOT APPLICABLE	34566-8143	0	G	BLUE	80	79	78	77	76	75	74	73	72		70	69	68	67	66	65	64	63	62	61														
						73	32	31	30	29	27	26	25	24	23	16	15	14	13	12	11	10	9	8	7	6	5	4	3	2	1								

MX123 52/66/73/80-WAY RECEPTACLE ASSY SEALED PIN OUT SHEET

STATUS	GM PART #	HRNS CONN ASSY			TPA	GROMMET CAP																						
		MATERIAL/PART	WIRE DRESS OPTION	KEY OPTION Fp	COLOR OPTION Fp	NUMBERS INDICATE CAVITIES OPEN FOR CIRCUITS																						
		NUMBER				Fp																						
SALEABLE	NOT APPLICABLE	34566-8153	0	C	BLUE	72	71	70	69	68	67	66	65	64	63	62	61	60	59	58	57	56	55					
						52	51	50						28	27										35	34	33	
						73									16		14	13									3	
															68	67			64	63								55
SALEABLE	NOT APPLICABLE	34566-8163	9	B	ST GRY																							
						73									32	31	30	29	28	27							19	17
																15	12	13	12	11	10	9					4	
SALEABLE	NOT APPLICABLE	34566-8173	0	B	ST GRY	72		70		68	67				63	62	61	60	59									
						52																						
						73																						
SALEABLE	NOT APPLICABLE	34566-8183	9	H	ST GRY																							
						73																						
SALEABLE	NOT APPLICABLE	34566-8193	0	G	BLUE		79	78	77	76	75	74			71				67		65		63					
						60	59	58	57	56	55	54			52						47		45		43			
						40		38	37					33	32	31	30	29			27	26						
						20		18	17										11	10	9	8	7	6	5	4	3	2
SALEABLE	NOT APPLICABLE	34566-8213	0	H	ST GRY								74	73														
						73																						
SALEABLE	NOT APPLICABLE	34566-8223	9	A	BLACK																							
						72																						
						52	51																					
						73																						
SALEABLE	NOT APPLICABLE	34566-8233	9	G	BLUE				77	76	75	74	73	72			70	69	68		66	65	64	63	62	61		
						20	19																					
SALEABLE	NOT APPLICABLE	34566-8243	9	G	BLUE				77	76	75	74	73	72			70	69	68		66	65	64	63	62	61		
						20	19																					
SALEABLE	NOT APPLICABLE	34566-8253	9	G	BLUE				77	76	75	74	73	72			70	69	68		66	65	64	63	62	61		
						20	19																					
SALEABLE	NOT APPLICABLE	34566-8263	9	G	BLUE				77	76	75	74	73	72			70	69	68		66	65	64	63	62	61		
						20	19																					
SALEABLE	NOT APPLICABLE	34566-8273	9	G	BLUE	80	79	78							71				67									
						60	59	58	57					54				51	50	49	48	47				44		41
						40	39																					
									18																			
SALEABLE	NOT APPLICABLE	34566-8283	9	G	BLUE	80	79	78		76					71				67									
						60	59	58	57					54				51	50	49	48	47				44		41
						40	39		37																			
									18																			
SALEABLE	NOT APPLICABLE	34566-8293	9	A	BLACK		71	70	69	68	67	66	65		63			60	59	58								
						73																						
SALEABLE	NOT APPLICABLE	34566-8313	9	A	BLACK		71	70	69		67	66	65		63			60	59	58								
						73																						

MX123 52/66/73/80-WAY RECEPTACLE ASSY SEALED PIN OUT SHEET

STATUS	GM PART #	HRNS CONN ASSY			TPA	GROMMET CAP																								
		MATERIAL/PART	WIRE DRESS OPTION	KEY OPTION	COLOR OPTION	NUMBERS INDICATE CAVITIES OPEN FOR CIRCUITS																								
		NUMBER		Fp	Fp	Fp																								
SALEABLE	NOT APPLICABLE	34566-8323	9	A	BLACK			71	70	69	68	67	66	65		63			60						53					
								50	49		47			44		42			60			39	38			36			33	
						73									31				28		26			24	23	22	21		19	18
SALEABLE	NOT APPLICABLE	34566-8333	9	A	BLACK			71	70	69	68	67	66	65		63			60						53					
								50	49	48	47			44		42	41		39	38			36					33		
						73									31				28		26			24	23	22	21		19	18
SALEABLE	NOT APPLICABLE	34566-8343	9	A	BLACK			71	70	69	68	67	66	65		63			60	59						53				
								50	49		47			44		42			39	38			36	35	34	33				
						73									31				28		26			24	23	22	21		19	18
SALEABLE	NOT APPLICABLE	34566-8353	9	A	BLACK		72								64		62	61					57	56	55	54	53			
							52	51						46	45		43		41	40				37						
						73									32		30	29		27		25						20		
SALEABLE	NOT APPLICABLE	34566-8363	9	A	BLACK		72								64		62	61					57	56	55	54	53			
							52	51						46	45		43		40					37						
						73									32		30	29		27		25						20		
SALEABLE	NOT APPLICABLE	34566-8373	9	A	BLACK		72								64		62	61					57	56	55	54	53			
							52	51						46	45		43		40					37						
						73									32		30	29		27		25						20		
SALEABLE	NOT APPLICABLE	34566-8383	9	A	BLACK		72								64		62	61					57	56	55	54	53			
							52	51						46	45		43		40					37						
						73									32		30	29		27		25						20		
SALEABLE	NOT APPLICABLE	34566-8393	0	A	BLACK		72		70							63	62							56	55	54	53			
							52	51		49	48					43									36	35	34	33		
						73									31	30	29	28	27			24	23	22	21	20	19	18	17	
SALEABLE	NOT APPLICABLE	34566-8413	0	A	BLACK		72		70							63	62							56	55	54	53			
							52	51		49	48					43									36	35	34	33		
						73									31	30	29	28	27			24	23	22	21	20	19	18	17	
SALEABLE	NOT APPLICABLE	34566-8423	0	C	BLUE					69		67			64		62	61	60				57			54				
							52	51	50	49	48			46	45	44		42	41					37				34	33	
						73									16	15	14	13	12		11	10	9	8	7					
SALEABLE	NOT APPLICABLE	34566-8433	0	H	ST GRAY			79	78	77															61					
							20																			9		5		1
						73									16	15	14	13	12		11	10	9	8	7	6	5			
SALEABLE	NOT APPLICABLE	34566-8443	0	C	BLUE			71	70			67	66	65	64			61	60	59	58	57				54				
							52	51	50		48	47		45	44			41		39	38	37						34	33	
						73									32				28	27		25		23					18	17
SALEABLE	NOT APPLICABLE	34566-8453	0	A	BLACK		72	71	70	69	68		66	65	64	63			60				57	56			54			
							52	51	50	49	48		46	45	44	43	42			40	39	38	37	36				34		
						73									32	31	30	29	28					23	22	21	20			
SALEABLE	NOT APPLICABLE	34566-8463	0	B	ST GRAY		72		70			68					62	61	60	59					55					
							52				48	47	46		44	43			41	40			38	37	36	35				
						73									16	15	14						8		6		4			1
SALEABLE	NOT APPLICABLE	34566-8473	0	C	BLUE			71	70			67	66	65	64			62	61	60			58	57			54			
							52	51	50	49	48	47		45	44			42	41					38	37			35	34	33
						73									32				28	27	26	25						19	18	17





MX123 52/66/73/80-WAY RECEPTACLE ASSY SEALED PIN OUT SHEET

STATUS	GM PART #	HRNS CONN ASSY			TPA	GROMMET CAP																					
		MATERIAL/PART	WIRE DRESS OPTION	KEY OPTION Fp	COLOR OPTION Fp	NUMBERS INDICATE CAVITIES OPEN FOR CIRCUITS																					
		NUMBER				Fp																					
SALEABLE	NOT APPLICABLE	34566-8483	0	A	BLACK	72	71	70	69	68		66	65	64	63		61	60			57	56		54	53		
						52	51	50	49	48		46	45	44	43	42			40	39	38	37	36		34	33	
						73				32	31	30	29	28							23	22	21	20			2
SALEABLE	NOT APPLICABLE	34566-8493	0	B	ST GRAY	72		70		68	67					62	61	60	59				55				
						52				48	47	46		44	43			40									33
						73						30									22	21	20	19	18	17	
SALEABLE	NOT APPLICABLE	34566-8513	9	A	BLACK	72	71	70	69	68		66	65	64	63		61	60			57	56		54	53		
						52	51	50	49	48		46	45	44	43			40	39	38	37	36		34	33		
						73				32	31	30	29	28					24	23	22						2
SALEABLE	NOT APPLICABLE	34566-8523	9	B	ST GRAY	72		70		68						62	61						55				
						52				48	47	46			43			40									
						73						30									22	21	20	19	18	17	
SALEABLE	NOT APPLICABLE	34566-8533	9	C	BLUE			70		67	66	65	64			61	60			57			54				
						52	51	50	49	48	47		45	44			41				37				34	33	
						73				32				28	27			25								18	17
SALEABLE	NOT APPLICABLE	34566-8543	9	C	BLUE		71		69		67	66	65	64			61	60			57		54				
						52	51	50	49	48	47	46	45	44							37				34	33	
						73				32				28	27												
SALEABLE	NOT APPLICABLE	34566-8553	0	B	ST GRAY					67	66	65	64			61	60			57			54				
						52	51	50	49	48	47	46	45	44								37				34	33
						73				32				28	27												
SALEABLE	NOT APPLICABLE	34566-8563	0	A	BLACK					67						61	60			57			54				
						52	51			48	47	46			43	42		40	39	38	37	36	35				
						73								28							22	21				18	17
SALEABLE	NOT APPLICABLE	34566-8573	0	B	ST GRAY	72	71	70	69	68	67	66	65	64	63		61	60	59		57	56	55				
						52	51	50	49	48	47	46	45	44	43			41	40	39	38	37	36	35		33	
						73				32	31	30	29	28					26		24	23	22	21	20	19	
SALEABLE	NOT APPLICABLE	34566-8583	0	C	BLUE	72	71	70	69		67	66	65	64			60				56			54			
						52	51	50	49		47	46	45	44				40	39	38					34		
						73					31	30		28				26	25	24	23	22	21				17
SALEABLE	NOT APPLICABLE	34566-8593	0	B	ST GRAY	72				68						62	61	60	59				55				
						52				48	47	46			43		41	40			38	37	36	35			
						73						30									22	21	20	19	18		
SALEABLE	TBD	34822-0183	0	A	BLACK	64	63	62	61	60	59					54	53		51		49	66					
																38	37		35		33	66					
						65					15	14	13						8	7			4	3	2	1	
SALEABLE	TBD	34822-0193	0	A	BLACK	64	63								54	53		51		49	66						
															38	37		35		33	66						
						65								28					24	23		21	20	19	18	17	
SALEABLE	TBD	34822-0203	0	A	BLACK					60	59					54	53		51		49	66					
															38	37		35		33	66						
						65					31			28					24	23	22	21	20	19	18	17	
SALEABLE	TBD	34822-0213	0	A	BLACK	64	63	62	61	60	59					54	53		51		49	66					
															38	37		35		33	66						
						65					31			28					24	23	22	21	20	19	18	17	



**MX123 52/66/73/80-WAY RECEPTACLE ASSY SEALED PIN OUT SHEET**

STATUS	GM PART #	HRNS CONN ASSY			TPA	GROMMET CAP																					
		MATERIAL/PART	WIRE DRESS OPTION	KEY OPTION Fp	COLOR OPTION Fp	NUMBERS INDICATE CAVITIES OPEN FOR CIRCUITS																					
		NUMBER				Fp																					
SALEABLE	NOT APPLICABLE	34566-8613	0	C	BLUE	52	71	70			67	66	65	64			61	60	59	58	57			54			
							51	50		48	47			45	44			41	40	39	38	37				34	33
						73				32				28	27			25		23							
SALEABLE	NOT APPLICABLE	34566-8623	9	C	BLUE					68			65		63	62	61		59	58	57	56	55		53		
										48			45		43	42	41					37	36	35	34	33	
						73				32	31												20	19	18		
SALEABLE	NOT APPLICABLE	34566-8633	0	B	ST GRAY	72									62	61											
						52				48	47	46			43			40									
						73							30							22	21	20	19	18	17		
SALEABLE	NOT APPLICABLE	34566-8643	0	C	BLUE		71	70			67	66		64			61	60			57			54			
						52	51	50	49	48			45	44			41			37						34	33
						73				32				28	27			25									
SALEABLE	NOT APPLICABLE	34566-8653	9	C	BLUE		71		69		67	66	65	64	63		61	60			57						
						52	51	50		48	47	46	45		43		41			37						34	33
						73								28	27			25									
SALEABLE	NOT APPLICABLE	34566-8663	0	B	ST GRAY	72	71	70	69					64	63		61	60		58	57	56	55				
						52	51	50	49					43							38	37	36			33	
						73				32			30	29	28		26	25	24	23	22	21	20				
SALEABLE	NOT APPLICABLE	34822-0223	0	A	BLACK	64	63	62	61	60	59				54	53		51		49		66					
											31			28			24	23	22	21	20	19	18	17			
						65					15	14	13				8	7				4	3	2	1		
SALEABLE	NOT APPLICABLE	34566-8673	0	F	NATURAL	72		70		68	67	66			63	62			59		57				53		
						52	51		49	48	47	46		44			41	40	39		37	36	35	34	33		
						73				32			30			27	26	25	24		22	21	20				
SALEABLE	NOT APPLICABLE	34566-8683	0	B	ST GRAY	72		70		68	67	66			63	62			59		57				53		
						52	51		49	48	47	46		44			41	40	39		37	36	35	34	33		
						73				32			30			27	26	25	24		22	21	20				
SALEABLE	NOT APPLICABLE	34566-8693	0	A	BLACK					68	67	66			63	62			59		57			53			
						52	51		49	48	47	46		44			41	40	39		37	36	35	34	33		
						73				32			30			27	26	25	24		22	21	20				2
SALEABLE	NOT APPLICABLE	34566-8713	9	B	ST GRAY	72	71	70	69					64	63			61	60		58	57	56	55			
						52	51	50	49					43						38	37	36				33	
						73				32			30	29	28		26	25	24	23	22	21	20				
SALEABLE	NOT APPLICABLE	34566-8723	0	C	BLUE		71	70				66		64			61	60			57			54			
						52	51	50	49	48			45	44			41			37						34	33
						73				32				28	27			25									18
SALEABLE	NOT APPLICABLE	34566-8733	0	A	BLACK					68		66	65	64	63			60		57	56			54			
						52	51	50	49	48		46	45	44	43	42		40	39	38	37	36			34		
						73				32	31	30	29	28					23	22	21	20					
SALEABLE	NOT APPLICABLE	34566-8743	0	C	BLUE		71	70	69		67	66		64						39	38				54		
						52	51	50	49		47	46		44					39	38							
						73							30	29	28	27	26	25	24	23	22	21					17
SALEABLE	NOT APPLICABLE	34566-8753	0	B	ST GRAY	72	71	70	69	68	67	66	65	64	63		61	60		58	57	56	55	54	53		
						52	51	50	49	48	47	46	45	44	43			40			37	36	35	34	33		
						73				32			30	29	28		26	25	24		21		19				

MX123 52/66/73/80-WAY RECEPTACLE ASSY SEALED PIN OUT SHEET

STATUS	GM PART #	HRNS CONN ASSY			TPA	GROMMET CAP																							
		MATERIAL/PART	WIRE DRESS OPTION	KEY OPTION Fp	COLOR OPTION Fp	NUMBERS INDICATE CAVITIES OPEN FOR CIRCUITS																							
		NUMBER				Fp																							
SALEABLE	NOT APPLICABLE	34566-8763	0	A	BLACK	72	71	70			67	66							59	58	57	56	55	54	53				
						52	51	50			47	46									39	37		36	35		33		
						73				32	31	30	29	28	27	26						21					18	17	
SALEABLE	12672857	34822-0243	9	A	BLACK	64	63	62	61	60	59						54	53		51		49	66						
							47										38	37		35		33				20	19	18	17
						65								28				25	24		22	21				4	3	2	1
SALEABLE	NOT APPLICABLE	34822-0253	0	A	BLACK		63	62	61	60	59					54	53		51		49	66							
																38	37		35		33				20	19	18	17	
						65								28				24	23	22	21				4	3	2	1	
SALEABLE	NOT APPLICABLE	34822-0263	9	C	BLUE	64	63	62		60	59					54	53		51		49	66							
						48	47	46	45						39			37	36	35	34	33				19	18	17	
						65				32		30	29	28	27	26	25	24	23	22	21						4	3	2
SALEABLE	NOT APPLICABLE	34822-0273	9	A	BLACK	64	63									54	53		51		49	66							
							47									38	37		35		33				20	19	18	17	
						65								28						22						4	3	2	1
SALEABLE	NOT APPLICABLE	34822-0283	0	A	BLACK				61	60	59				56	55				51		49	66						
													42																17
						65				32										8									2
SALEABLE	NOT APPLICABLE	34822-0293	0	A	BLACK	64	63									54	53		51		49	66							
							47									38	37		35		33				20	19	18	17	
						65								28						8	7						4	3	2
SALEABLE	NOT APPLICABLE	34566-8773	9	B	ST GRAY	72		70		68						62	61	60	59					55					
						52				48	47	46				43			40										
						73						30									22	21	20	19	18	17			
SALEABLE	NOT APPLICABLE	34566-8783	9	A	BLACK	72	71	70	69	68					66	65	64	63		61	60		57	56		54	53		
						52	51	50	49	48					46	45	44	43			40	39	38	37	36		34	33	
						73				32	31	30	29	28								23	22	21					2
SALEABLE	NOT APPLICABLE	34566-8793	9	C	BLUE		71	70			67	66	65				61	60		57					54				
						52	51	50	49	48	47		45	44			41			37						34	33		
						73				32				28	27		25											18	17
SALEABLE	NOT APPLICABLE	34566-8813	9	B	ST GRAY	72	71	70	69	68	67				65	64	63		61	60	59		57	56	55	54	53		
						52	51	50	49	48	47	46	45	44	43	42			40	39					36	35	34	33	
						73				32	31	30	29	28	27	26	25	24	23	22	21						4	3	2
SALEABLE	NOT APPLICABLE	34566-8823	9	C	BLUE	72	71	70	69		67	66			64				60							54			
						52	51	50	49		47	46		44				40	39										
						73						30	29	28	27	26	25	24	23	22	21								17
SALEABLE	NOT APPLICABLE	34566-8833	9	C	BLUE	72		70		68	67	66				63	62			59		57				54	53		
						52	51		49	48	47	46		44				41	40	39		37	36	35	34	33			
						73				32		30			27	26	25	24		22	21	20						2	1
SALEABLE	NOT APPLICABLE	34566-8843	0	C	BLUE	72	71	70	69		67	66			64											54			
						52	51	50	49		47	46		44				41		39	38								
						73						30	29	28	27	26	25	24	23	22	21								17
SALEABLE	NOT APPLICABLE	34566-8853	0	B	ST GRAY	72				68	67					63	62	61	60	59					55				
						52				48	47	46		44	43		41	40			38	37	36	35					
						73						30			27						22	21	20	19	18			1	

**MX123 52/66/73/80-WAY RECEPTACLE ASSY SEALED PIN OUT SHEET**

STATUS	GM PART #	HRNS CONN ASSY			TPA	GROMMET CAP																																																																																																																																																																																																																																																																																																																																																																																																																																																																																																																																																																																																																																																																																																																																																																																																																																																																																																																																																																																																																																																																																																																																																																																																																																				
		MATERIAL/PART	WIRE DRESS OPTION	KEY OPTION		COLOR OPTION	NUMBERS INDICATE CAVITIES OPEN FOR CIRCUITS																																																																																																																																																																																																																																																																																																																																																																																																																																																																																																																																																																																																																																																																																																																																																																																																																																																																																																																																																																																																																																																																																																																																																																																																																																			
		NUMBER		▽ Fp			▽ Fp	▽ Fp																																																																																																																																																																																																																																																																																																																																																																																																																																																																																																																																																																																																																																																																																																																																																																																																																																																																																																																																																																																																																																																																																																																																																																																																																																		
SALEABLE	NOT APPLICABLE	34566-8863	0	B	ST GR	72	71	70	69						64	63		61			58	57	56	55					52	51	50	49							43								38	37	36				33	73				32		30	29	28			26	25	24	23	22	21	20									SALEABLE	NOT APPLICABLE	34566-8873	0	B	ST GR	72	71	70	69						64	63		61			58	57	56	55					52	51	50	49							43								38	37	36				33	73				32	31	30	29	28			26	25	24	23	22	21	20									SALEABLE	NOT APPLICABLE	34566-8883	0	B	ST GR	72	71	70	69	68	67	66	65	64	63			61	60	59	58	57	56	55					52	51	50	49	48	47	46	45	44	43			41	40	39	38	37	36	35	34	33					73				32	31	30	29	28	27	26	25	24	23	22	21	20	19	18	17								SALEABLE	NOT APPLICABLE	34566-8893	0	A	BLACK	72		70			67	66	65			63			60	59	58	57	56	55					52	51		49	48	47	46	45			43	42		40	39	38	37	36	35							73									28	27				23	22	21							18	17	SALEABLE	NOT APPLICABLE	34566-8913	0	A	BLACK	72	71	70	69	68		66	65	64	63			60			57	56		54					52	51	50	49	48		46	45	44	43	42	41	40	39	38	37	36		34							73				32	31	30	29	28						23	22	21										SALEABLE	NOT APPLICABLE	34566-8923	0	A	BLACK		71	70	69	68	67			64	63	62	61	60	59	58	57	56	55	54	53				52	51	50	49			46	45	44	43	42	41	40	39	38	37	36		34							73				32			29	28	27	26	25				21				18							SALEABLE	NOT APPLICABLE	34566-8933	0	C	BLUE	72	71		69	68		66	65			63				59	58		56					53										43				39	38		36									73					31	30	29						24	23	22	21	20									SALEABLE	NOT APPLICABLE	34566-8943	0	B	ST GR	72				68						62	61											55	52						46			43			40													73														22	21	20	19	18	17							SALEABLE	NOT APPLICABLE	34566-8953	9	C	BLUE	72	71	70	69		67	66		64			60						54						52	51	50	49		47	46		44			40	39	38												73						30	29	28	27	26	25	24	23	22	21										17	SALEABLE	NOT APPLICABLE	34566-8963	0	B	ST GR	72										62	61	60	59								55	52				48	47	46			43		41	40					38	37	36	35					73						30								22	21	20	19	18	17							SALEABLE	NOT APPLICABLE	34566-8973	0	A	BLACK	72	71	70	69	68		66	65	64	63			60			57	56		54					52	51	50	49	48		46	45	44	43	42		40	39	38	37	36		34							73				32	31	30	29	28					23	22	21										17	SALEABLE	NOT APPLICABLE	34566-8983	0	C	BLUE		71	70			67	66		64			61	60			57			54					52	51	50	49	48	47		45	44			41			37					34	33					73				32				28	27		25												18	17	SALEABLE	NOT APPLICABLE	34822-0303	0	A	BLACK																							65																																																			SALEABLE	NOT APPLICABLE	34822-0313	0	A	BLACK		63	62	61	60	59					54	53			49								65																													31				28					24	23	22	21	20	19	18	17						SALEABLE	NOT APPLICABLE	34566-8993	0	B	ST GR							66				62			58									73												41			38	37																																19	18	17
						52	51	50	49							43								38	37	36				33																																																																																																																																																																																																																																																																																																																																																																																																																																																																																																																																																																																																																																																																																																																																																																																																																																																																																																																																																																																																																																																																																																																																																																																																												
						73				32		30	29	28			26	25	24	23	22	21	20																																																																																																																																																																																																																																																																																																																																																																																																																																																																																																																																																																																																																																																																																																																																																																																																																																																																																																																																																																																																																																																																																																																																																																																																																			
SALEABLE	NOT APPLICABLE	34566-8873	0	B	ST GR	72	71	70	69						64	63		61			58	57	56	55					52	51	50	49							43								38	37	36				33	73				32	31	30	29	28			26	25	24	23	22	21	20									SALEABLE	NOT APPLICABLE	34566-8883	0	B	ST GR	72	71	70	69	68	67	66	65	64	63			61	60	59	58	57	56	55					52	51	50	49	48	47	46	45	44	43			41	40	39	38	37	36	35	34	33					73				32	31	30	29	28	27	26	25	24	23	22	21	20	19	18	17								SALEABLE	NOT APPLICABLE	34566-8893	0	A	BLACK	72		70			67	66	65			63			60	59	58	57	56	55					52	51		49	48	47	46	45			43	42		40	39	38	37	36	35							73									28	27				23	22	21							18	17	SALEABLE	NOT APPLICABLE	34566-8913	0	A	BLACK	72	71	70	69	68		66	65	64	63			60			57	56		54					52	51	50	49	48		46	45	44	43	42	41	40	39	38	37	36		34							73				32	31	30	29	28						23	22	21										SALEABLE	NOT APPLICABLE	34566-8923	0	A	BLACK		71	70	69	68	67			64	63	62	61	60	59	58	57	56	55	54	53				52	51	50	49			46	45	44	43	42	41	40	39	38	37	36		34							73				32			29	28	27	26	25				21				18							SALEABLE	NOT APPLICABLE	34566-8933	0	C	BLUE	72	71		69	68		66	65			63				59	58		56					53										43				39	38		36									73					31	30	29						24	23	22	21	20									SALEABLE	NOT APPLICABLE	34566-8943	0	B	ST GR	72				68						62	61											55	52						46			43			40													73														22	21	20	19	18	17							SALEABLE	NOT APPLICABLE	34566-8953	9	C	BLUE	72	71	70	69		67	66		64			60						54						52	51	50	49		47	46		44			40	39	38												73						30	29	28	27	26	25	24	23	22	21										17	SALEABLE	NOT APPLICABLE	34566-8963	0	B	ST GR	72										62	61	60	59								55	52				48	47	46			43		41	40					38	37	36	35					73						30								22	21	20	19	18	17							SALEABLE	NOT APPLICABLE	34566-8973	0	A	BLACK	72	71	70	69	68		66	65	64	63			60			57	56		54					52	51	50	49	48		46	45	44	43	42		40	39	38	37	36		34							73				32	31	30	29	28					23	22	21										17	SALEABLE	NOT APPLICABLE	34566-8983	0	C	BLUE		71	70			67	66		64			61	60			57			54					52	51	50	49	48	47		45	44			41			37					34	33					73				32				28	27		25												18	17	SALEABLE	NOT APPLICABLE	34822-0303	0	A	BLACK																							65																																																			SALEABLE	NOT APPLICABLE	34822-0313	0	A	BLACK		63	62	61	60	59					54	53			49								65																													31				28					24	23	22	21	20	19	18	17						SALEABLE	NOT APPLICABLE	34566-8993	0	B	ST GR							66				62			58									73												41			38	37																																19	18	17																																																																																
						52	51	50	49							43								38	37	36				33																																																																																																																																																																																																																																																																																																																																																																																																																																																																																																																																																																																																																																																																																																																																																																																																																																																																																																																																																																																																																																																																																																																																																																																																												
						73				32	31	30	29	28			26	25	24	23	22	21	20																																																																																																																																																																																																																																																																																																																																																																																																																																																																																																																																																																																																																																																																																																																																																																																																																																																																																																																																																																																																																																																																																																																																																																																																																			
SALEABLE	NOT APPLICABLE	34566-8883	0	B	ST GR	72	71	70	69	68	67	66	65	64	63			61	60	59	58	57	56	55					52	51	50	49	48	47	46	45	44	43			41	40	39	38	37	36	35	34	33					73				32	31	30	29	28	27	26	25	24	23	22	21	20	19	18	17								SALEABLE	NOT APPLICABLE	34566-8893	0	A	BLACK	72		70			67	66	65			63			60	59	58	57	56	55					52	51		49	48	47	46	45			43	42		40	39	38	37	36	35							73									28	27				23	22	21							18	17	SALEABLE	NOT APPLICABLE	34566-8913	0	A	BLACK	72	71	70	69	68		66	65	64	63			60			57	56		54					52	51	50	49	48		46	45	44	43	42	41	40	39	38	37	36		34							73				32	31	30	29	28						23	22	21										SALEABLE	NOT APPLICABLE	34566-8923	0	A	BLACK		71	70	69	68	67			64	63	62	61	60	59	58	57	56	55	54	53				52	51	50	49			46	45	44	43	42	41	40	39	38	37	36		34							73				32			29	28	27	26	25				21				18							SALEABLE	NOT APPLICABLE	34566-8933	0	C	BLUE	72	71		69	68		66	65			63				59	58		56					53										43				39	38		36									73					31	30	29						24	23	22	21	20									SALEABLE	NOT APPLICABLE	34566-8943	0	B	ST GR	72				68						62	61											55	52						46			43			40													73														22	21	20	19	18	17							SALEABLE	NOT APPLICABLE	34566-8953	9	C	BLUE	72	71	70	69		67	66		64			60						54						52	51	50	49		47	46		44			40	39	38												73						30	29	28	27	26	25	24	23	22	21										17	SALEABLE	NOT APPLICABLE	34566-8963	0	B	ST GR	72										62	61	60	59								55	52				48	47	46			43		41	40					38	37	36	35					73						30								22	21	20	19	18	17							SALEABLE	NOT APPLICABLE	34566-8973	0	A	BLACK	72	71	70	69	68		66	65	64	63			60			57	56		54					52	51	50	49	48		46	45	44	43	42		40	39	38	37	36		34							73				32	31	30	29	28					23	22	21										17	SALEABLE	NOT APPLICABLE	34566-8983	0	C	BLUE		71	70			67	66		64			61	60			57			54					52	51	50	49	48	47		45	44			41			37					34	33					73				32				28	27		25												18	17	SALEABLE	NOT APPLICABLE	34822-0303	0	A	BLACK																							65																																																			SALEABLE	NOT APPLICABLE	34822-0313	0	A	BLACK		63	62	61	60	59					54	53			49								65																													31				28					24	23	22	21	20	19	18	17						SALEABLE	NOT APPLICABLE	34566-8993	0	B	ST GR							66				62			58									73												41			38	37																																19	18	17																																																																																																																																																																
						52	51	50	49	48	47	46	45	44	43			41	40	39	38	37	36	35	34	33																																																																																																																																																																																																																																																																																																																																																																																																																																																																																																																																																																																																																																																																																																																																																																																																																																																																																																																																																																																																																																																																																																																																																																																																																
						73				32	31	30	29	28	27	26	25	24	23	22	21	20	19	18	17																																																																																																																																																																																																																																																																																																																																																																																																																																																																																																																																																																																																																																																																																																																																																																																																																																																																																																																																																																																																																																																																																																																																																																																																																	
SALEABLE	NOT APPLICABLE	34566-8893	0	A	BLACK	72		70			67	66	65			63			60	59	58	57	56	55					52	51		49	48	47	46	45			43	42		40	39	38	37	36	35							73									28	27				23	22	21							18	17	SALEABLE	NOT APPLICABLE	34566-8913	0	A	BLACK	72	71	70	69	68		66	65	64	63			60			57	56		54					52	51	50	49	48		46	45	44	43	42	41	40	39	38	37	36		34							73				32	31	30	29	28						23	22	21										SALEABLE	NOT APPLICABLE	34566-8923	0	A	BLACK		71	70	69	68	67			64	63	62	61	60	59	58	57	56	55	54	53				52	51	50	49			46	45	44	43	42	41	40	39	38	37	36		34							73				32			29	28	27	26	25				21				18							SALEABLE	NOT APPLICABLE	34566-8933	0	C	BLUE	72	71		69	68		66	65			63				59	58		56					53										43				39	38		36									73					31	30	29						24	23	22	21	20									SALEABLE	NOT APPLICABLE	34566-8943	0	B	ST GR	72				68						62	61											55	52						46			43			40													73														22	21	20	19	18	17							SALEABLE	NOT APPLICABLE	34566-8953	9	C	BLUE	72	71	70	69		67	66		64			60						54						52	51	50	49		47	46		44			40	39	38												73						30	29	28	27	26	25	24	23	22	21										17	SALEABLE	NOT APPLICABLE	34566-8963	0	B	ST GR	72										62	61	60	59								55	52				48	47	46			43		41	40					38	37	36	35					73						30								22	21	20	19	18	17							SALEABLE	NOT APPLICABLE	34566-8973	0	A	BLACK	72	71	70	69	68		66	65	64	63			60			57	56		54					52	51	50	49	48		46	45	44	43	42		40	39	38	37	36		34							73				32	31	30	29	28					23	22	21										17	SALEABLE	NOT APPLICABLE	34566-8983	0	C	BLUE		71	70			67	66		64			61	60			57			54					52	51	50	49	48	47		45	44			41			37					34	33					73				32				28	27		25												18	17	SALEABLE	NOT APPLICABLE	34822-0303	0	A	BLACK																							65																																																			SALEABLE	NOT APPLICABLE	34822-0313	0	A	BLACK		63	62	61	60	59					54	53			49								65																													31				28					24	23	22	21	20	19	18	17						SALEABLE	NOT APPLICABLE	34566-8993	0	B	ST GR							66				62			58									73												41			38	37																																19	18	17																																																																																																																																																																																																																																																	
						52	51		49	48	47	46	45			43	42		40	39	38	37	36	35																																																																																																																																																																																																																																																																																																																																																																																																																																																																																																																																																																																																																																																																																																																																																																																																																																																																																																																																																																																																																																																																																																																																																																																																																		
						73									28	27				23	22	21							18	17																																																																																																																																																																																																																																																																																																																																																																																																																																																																																																																																																																																																																																																																																																																																																																																																																																																																																																																																																																																																																																																																																																																																																																																																												
SALEABLE	NOT APPLICABLE	34566-8913	0	A	BLACK	72	71	70	69	68		66	65	64	63			60			57	56		54					52	51	50	49	48		46	45	44	43	42	41	40	39	38	37	36		34							73				32	31	30	29	28						23	22	21										SALEABLE	NOT APPLICABLE	34566-8923	0	A	BLACK		71	70	69	68	67			64	63	62	61	60	59	58	57	56	55	54	53				52	51	50	49			46	45	44	43	42	41	40	39	38	37	36		34							73				32			29	28	27	26	25				21				18							SALEABLE	NOT APPLICABLE	34566-8933	0	C	BLUE	72	71		69	68		66	65			63				59	58		56					53										43				39	38		36									73					31	30	29						24	23	22	21	20									SALEABLE	NOT APPLICABLE	34566-8943	0	B	ST GR	72				68						62	61											55	52						46			43			40													73														22	21	20	19	18	17							SALEABLE	NOT APPLICABLE	34566-8953	9	C	BLUE	72	71	70	69		67	66		64			60						54						52	51	50	49		47	46		44			40	39	38												73						30	29	28	27	26	25	24	23	22	21										17	SALEABLE	NOT APPLICABLE	34566-8963	0	B	ST GR	72										62	61	60	59								55	52				48	47	46			43		41	40					38	37	36	35					73						30								22	21	20	19	18	17							SALEABLE	NOT APPLICABLE	34566-8973	0	A	BLACK	72	71	70	69	68		66	65	64	63			60			57	56		54					52	51	50	49	48		46	45	44	43	42		40	39	38	37	36		34							73				32	31	30	29	28					23	22	21										17	SALEABLE	NOT APPLICABLE	34566-8983	0	C	BLUE		71	70			67	66		64			61	60			57			54					52	51	50	49	48	47		45	44			41			37					34	33					73				32				28	27		25												18	17	SALEABLE	NOT APPLICABLE	34822-0303	0	A	BLACK																							65																																																			SALEABLE	NOT APPLICABLE	34822-0313	0	A	BLACK		63	62	61	60	59					54	53			49								65																													31				28					24	23	22	21	20	19	18	17						SALEABLE	NOT APPLICABLE	34566-8993	0	B	ST GR							66				62			58									73												41			38	37																																19	18	17																																																																																																																																																																																																																																																																																																																																
						52	51	50	49	48		46	45	44	43	42	41	40	39	38	37	36		34																																																																																																																																																																																																																																																																																																																																																																																																																																																																																																																																																																																																																																																																																																																																																																																																																																																																																																																																																																																																																																																																																																																																																																																																																		
						73				32	31	30	29	28						23	22	21																																																																																																																																																																																																																																																																																																																																																																																																																																																																																																																																																																																																																																																																																																																																																																																																																																																																																																																																																																																																																																																																																																																																																																																																																				
SALEABLE	NOT APPLICABLE	34566-8923	0	A	BLACK		71	70	69	68	67			64	63	62	61	60	59	58	57	56	55	54	53				52	51	50	49			46	45	44	43	42	41	40	39	38	37	36		34							73				32			29	28	27	26	25				21				18							SALEABLE	NOT APPLICABLE	34566-8933	0	C	BLUE	72	71		69	68		66	65			63				59	58		56					53										43				39	38		36									73					31	30	29						24	23	22	21	20									SALEABLE	NOT APPLICABLE	34566-8943	0	B	ST GR	72				68						62	61											55	52						46			43			40													73														22	21	20	19	18	17							SALEABLE	NOT APPLICABLE	34566-8953	9	C	BLUE	72	71	70	69		67	66		64			60						54						52	51	50	49		47	46		44			40	39	38												73						30	29	28	27	26	25	24	23	22	21										17	SALEABLE	NOT APPLICABLE	34566-8963	0	B	ST GR	72										62	61	60	59								55	52				48	47	46			43		41	40					38	37	36	35					73						30								22	21	20	19	18	17							SALEABLE	NOT APPLICABLE	34566-8973	0	A	BLACK	72	71	70	69	68		66	65	64	63			60			57	56		54					52	51	50	49	48		46	45	44	43	42		40	39	38	37	36		34							73				32	31	30	29	28					23	22	21										17	SALEABLE	NOT APPLICABLE	34566-8983	0	C	BLUE		71	70			67	66		64			61	60			57			54					52	51	50	49	48	47		45	44			41			37					34	33					73				32				28	27		25												18	17	SALEABLE	NOT APPLICABLE	34822-0303	0	A	BLACK																							65																																																			SALEABLE	NOT APPLICABLE	34822-0313	0	A	BLACK		63	62	61	60	59					54	53			49								65																													31				28					24	23	22	21	20	19	18	17						SALEABLE	NOT APPLICABLE	34566-8993	0	B	ST GR							66				62			58									73												41			38	37																																19	18	17																																																																																																																																																																																																																																																																																																																																																																																																																
						52	51	50	49			46	45	44	43	42	41	40	39	38	37	36		34																																																																																																																																																																																																																																																																																																																																																																																																																																																																																																																																																																																																																																																																																																																																																																																																																																																																																																																																																																																																																																																																																																																																																																																																																		
						73				32			29	28	27	26	25				21				18																																																																																																																																																																																																																																																																																																																																																																																																																																																																																																																																																																																																																																																																																																																																																																																																																																																																																																																																																																																																																																																																																																																																																																																																																	
SALEABLE	NOT APPLICABLE	34566-8933	0	C	BLUE	72	71		69	68		66	65			63				59	58		56					53										43				39	38		36									73					31	30	29						24	23	22	21	20									SALEABLE	NOT APPLICABLE	34566-8943	0	B	ST GR	72				68						62	61											55	52						46			43			40													73														22	21	20	19	18	17							SALEABLE	NOT APPLICABLE	34566-8953	9	C	BLUE	72	71	70	69		67	66		64			60						54						52	51	50	49		47	46		44			40	39	38												73						30	29	28	27	26	25	24	23	22	21										17	SALEABLE	NOT APPLICABLE	34566-8963	0	B	ST GR	72										62	61	60	59								55	52				48	47	46			43		41	40					38	37	36	35					73						30								22	21	20	19	18	17							SALEABLE	NOT APPLICABLE	34566-8973	0	A	BLACK	72	71	70	69	68		66	65	64	63			60			57	56		54					52	51	50	49	48		46	45	44	43	42		40	39	38	37	36		34							73				32	31	30	29	28					23	22	21										17	SALEABLE	NOT APPLICABLE	34566-8983	0	C	BLUE		71	70			67	66		64			61	60			57			54					52	51	50	49	48	47		45	44			41			37					34	33					73				32				28	27		25												18	17	SALEABLE	NOT APPLICABLE	34822-0303	0	A	BLACK																							65																																																			SALEABLE	NOT APPLICABLE	34822-0313	0	A	BLACK		63	62	61	60	59					54	53			49								65																													31				28					24	23	22	21	20	19	18	17						SALEABLE	NOT APPLICABLE	34566-8993	0	B	ST GR							66				62			58									73												41			38	37																																19	18	17																																																																																																																																																																																																																																																																																																																																																																																																																																																																																																
															43				39	38		36																																																																																																																																																																																																																																																																																																																																																																																																																																																																																																																																																																																																																																																																																																																																																																																																																																																																																																																																																																																																																																																																																																																																																																																																																				
						73					31	30	29						24	23	22	21	20																																																																																																																																																																																																																																																																																																																																																																																																																																																																																																																																																																																																																																																																																																																																																																																																																																																																																																																																																																																																																																																																																																																																																																																																																			
SALEABLE	NOT APPLICABLE	34566-8943	0	B	ST GR	72				68						62	61											55	52						46			43			40													73														22	21	20	19	18	17							SALEABLE	NOT APPLICABLE	34566-8953	9	C	BLUE	72	71	70	69		67	66		64			60						54						52	51	50	49		47	46		44			40	39	38												73						30	29	28	27	26	25	24	23	22	21										17	SALEABLE	NOT APPLICABLE	34566-8963	0	B	ST GR	72										62	61	60	59								55	52				48	47	46			43		41	40					38	37	36	35					73						30								22	21	20	19	18	17							SALEABLE	NOT APPLICABLE	34566-8973	0	A	BLACK	72	71	70	69	68		66	65	64	63			60			57	56		54					52	51	50	49	48		46	45	44	43	42		40	39	38	37	36		34							73				32	31	30	29	28					23	22	21										17	SALEABLE	NOT APPLICABLE	34566-8983	0	C	BLUE		71	70			67	66		64			61	60			57			54					52	51	50	49	48	47		45	44			41			37					34	33					73				32				28	27		25												18	17	SALEABLE	NOT APPLICABLE	34822-0303	0	A	BLACK																							65																																																			SALEABLE	NOT APPLICABLE	34822-0313	0	A	BLACK		63	62	61	60	59					54	53			49								65																													31				28					24	23	22	21	20	19	18	17						SALEABLE	NOT APPLICABLE	34566-8993	0	B	ST GR							66				62			58									73												41			38	37																																19	18	17																																																																																																																																																																																																																																																																																																																																																																																																																																																																																																																																																																																
						52						46			43			40																																																																																																																																																																																																																																																																																																																																																																																																																																																																																																																																																																																																																																																																																																																																																																																																																																																																																																																																																																																																																																																																																																																																																																																																																								
						73														22	21	20	19	18	17																																																																																																																																																																																																																																																																																																																																																																																																																																																																																																																																																																																																																																																																																																																																																																																																																																																																																																																																																																																																																																																																																																																																																																																																																	
SALEABLE	NOT APPLICABLE	34566-8953	9	C	BLUE	72	71	70	69		67	66		64			60						54						52	51	50	49		47	46		44			40	39	38												73						30	29	28	27	26	25	24	23	22	21										17	SALEABLE	NOT APPLICABLE	34566-8963	0	B	ST GR	72										62	61	60	59								55	52				48	47	46			43		41	40					38	37	36	35					73						30								22	21	20	19	18	17							SALEABLE	NOT APPLICABLE	34566-8973	0	A	BLACK	72	71	70	69	68		66	65	64	63			60			57	56		54					52	51	50	49	48		46	45	44	43	42		40	39	38	37	36		34							73				32	31	30	29	28					23	22	21										17	SALEABLE	NOT APPLICABLE	34566-8983	0	C	BLUE		71	70			67	66		64			61	60			57			54					52	51	50	49	48	47		45	44			41			37					34	33					73				32				28	27		25												18	17	SALEABLE	NOT APPLICABLE	34822-0303	0	A	BLACK																							65																																																			SALEABLE	NOT APPLICABLE	34822-0313	0	A	BLACK		63	62	61	60	59					54	53			49								65																													31				28					24	23	22	21	20	19	18	17						SALEABLE	NOT APPLICABLE	34566-8993	0	B	ST GR							66				62			58									73												41			38	37																																19	18	17																																																																																																																																																																																																																																																																																																																																																																																																																																																																																																																																																																																																																																																																
						52	51	50	49		47	46		44			40	39	38																																																																																																																																																																																																																																																																																																																																																																																																																																																																																																																																																																																																																																																																																																																																																																																																																																																																																																																																																																																																																																																																																																																																																																																																																							
						73						30	29	28	27	26	25	24	23	22	21										17																																																																																																																																																																																																																																																																																																																																																																																																																																																																																																																																																																																																																																																																																																																																																																																																																																																																																																																																																																																																																																																																																																																																																																																																											
SALEABLE	NOT APPLICABLE	34566-8963	0	B	ST GR	72										62	61	60	59								55	52				48	47	46			43		41	40					38	37	36	35					73						30								22	21	20	19	18	17							SALEABLE	NOT APPLICABLE	34566-8973	0	A	BLACK	72	71	70	69	68		66	65	64	63			60			57	56		54					52	51	50	49	48		46	45	44	43	42		40	39	38	37	36		34							73				32	31	30	29	28					23	22	21										17	SALEABLE	NOT APPLICABLE	34566-8983	0	C	BLUE		71	70			67	66		64			61	60			57			54					52	51	50	49	48	47		45	44			41			37					34	33					73				32				28	27		25												18	17	SALEABLE	NOT APPLICABLE	34822-0303	0	A	BLACK																							65																																																			SALEABLE	NOT APPLICABLE	34822-0313	0	A	BLACK		63	62	61	60	59					54	53			49								65																													31				28					24	23	22	21	20	19	18	17						SALEABLE	NOT APPLICABLE	34566-8993	0	B	ST GR							66				62			58									73												41			38	37																																19	18	17																																																																																																																																																																																																																																																																																																																																																																																																																																																																																																																																																																																																																																																																																																																																																
						52				48	47	46			43		41	40					38	37	36	35																																																																																																																																																																																																																																																																																																																																																																																																																																																																																																																																																																																																																																																																																																																																																																																																																																																																																																																																																																																																																																																																																																																																																																																																																
						73						30								22	21	20	19	18	17																																																																																																																																																																																																																																																																																																																																																																																																																																																																																																																																																																																																																																																																																																																																																																																																																																																																																																																																																																																																																																																																																																																																																																																																																	
SALEABLE	NOT APPLICABLE	34566-8973	0	A	BLACK	72	71	70	69	68		66	65	64	63			60			57	56		54					52	51	50	49	48		46	45	44	43	42		40	39	38	37	36		34							73				32	31	30	29	28					23	22	21										17	SALEABLE	NOT APPLICABLE	34566-8983	0	C	BLUE		71	70			67	66		64			61	60			57			54					52	51	50	49	48	47		45	44			41			37					34	33					73				32				28	27		25												18	17	SALEABLE	NOT APPLICABLE	34822-0303	0	A	BLACK																							65																																																			SALEABLE	NOT APPLICABLE	34822-0313	0	A	BLACK		63	62	61	60	59					54	53			49								65																													31				28					24	23	22	21	20	19	18	17						SALEABLE	NOT APPLICABLE	34566-8993	0	B	ST GR							66				62			58									73												41			38	37																																19	18	17																																																																																																																																																																																																																																																																																																																																																																																																																																																																																																																																																																																																																																																																																																																																																																																																																															
						52	51	50	49	48		46	45	44	43	42		40	39	38	37	36		34																																																																																																																																																																																																																																																																																																																																																																																																																																																																																																																																																																																																																																																																																																																																																																																																																																																																																																																																																																																																																																																																																																																																																																																																																		
						73				32	31	30	29	28					23	22	21										17																																																																																																																																																																																																																																																																																																																																																																																																																																																																																																																																																																																																																																																																																																																																																																																																																																																																																																																																																																																																																																																																																																																																																																																																											
SALEABLE	NOT APPLICABLE	34566-8983	0	C	BLUE		71	70			67	66		64			61	60			57			54					52	51	50	49	48	47		45	44			41			37					34	33					73				32				28	27		25												18	17	SALEABLE	NOT APPLICABLE	34822-0303	0	A	BLACK																							65																																																			SALEABLE	NOT APPLICABLE	34822-0313	0	A	BLACK		63	62	61	60	59					54	53			49								65																													31				28					24	23	22	21	20	19	18	17						SALEABLE	NOT APPLICABLE	34566-8993	0	B	ST GR							66				62			58									73												41			38	37																																19	18	17																																																																																																																																																																																																																																																																																																																																																																																																																																																																																																																																																																																																																																																																																																																																																																																																																																																																																																															
						52	51	50	49	48	47		45	44			41			37					34	33																																																																																																																																																																																																																																																																																																																																																																																																																																																																																																																																																																																																																																																																																																																																																																																																																																																																																																																																																																																																																																																																																																																																																																																																																
						73				32				28	27		25												18	17																																																																																																																																																																																																																																																																																																																																																																																																																																																																																																																																																																																																																																																																																																																																																																																																																																																																																																																																																																																																																																																																																																																																																																																																												
SALEABLE	NOT APPLICABLE	34822-0303	0	A	BLACK																							65																																																			SALEABLE	NOT APPLICABLE	34822-0313	0	A	BLACK		63	62	61	60	59					54	53			49								65																													31				28					24	23	22	21	20	19	18	17						SALEABLE	NOT APPLICABLE	34566-8993	0	B	ST GR							66				62			58									73												41			38	37																																19	18	17																																																																																																																																																																																																																																																																																																																																																																																																																																																																																																																																																																																																																																																																																																																																																																																																																																																																																																																																																																																														
						65																																																																																																																																																																																																																																																																																																																																																																																																																																																																																																																																																																																																																																																																																																																																																																																																																																																																																																																																																																																																																																																																																																																																																																																																																																				
SALEABLE	NOT APPLICABLE	34822-0313	0	A	BLACK		63	62	61	60	59					54	53			49								65																													31				28					24	23	22	21	20	19	18	17						SALEABLE	NOT APPLICABLE	34566-8993	0	B	ST GR							66				62			58									73												41			38	37																																19	18	17																																																																																																																																																																																																																																																																																																																																																																																																																																																																																																																																																																																																																																																																																																																																																																																																																																																																																																																																																																																																																																																																													
						65																																																																																																																																																																																																																																																																																																																																																																																																																																																																																																																																																																																																																																																																																																																																																																																																																																																																																																																																																																																																																																																																																																																																																																																																																																				
										31				28					24	23	22	21	20	19	18	17																																																																																																																																																																																																																																																																																																																																																																																																																																																																																																																																																																																																																																																																																																																																																																																																																																																																																																																																																																																																																																																																																																																																																																																																																
SALEABLE	NOT APPLICABLE	34566-8993	0	B	ST GR							66				62			58									73												41			38	37																																19	18	17																																																																																																																																																																																																																																																																																																																																																																																																																																																																																																																																																																																																																																																																																																																																																																																																																																																																																																																																																																																																																																																																																																																																																												
						73												41			38	37																																																																																																																																																																																																																																																																																																																																																																																																																																																																																																																																																																																																																																																																																																																																																																																																																																																																																																																																																																																																																																																																																																																																																																																																																				
																													19	18	17																																																																																																																																																																																																																																																																																																																																																																																																																																																																																																																																																																																																																																																																																																																																																																																																																																																																																																																																																																																																																																																																																																																																																																																																											

MX123 52/66/73/80-WAY RECEPTACLE ASSY SEALED PIN OUT SHEET

STATUS	GM PART #	HRNS CONN ASSY			TPA	GROMMET CAP																												
		MATERIAL/PART	WIRE DRESS OPTION	KEY OPTION Fp	COLOR OPTION Fp	NUMBERS INDICATE CAVITIES OPEN FOR CIRCUITS Fp																												
		NUMBER																																
SALEABLE	NOT APPLICABLE	34566-9013	0	A	BLACK				69	68				65	64	63	62	61	60								34							
									49	48				45	44	43	42	41	40					38										
						73												25	24	23	22				20	19								
SALEABLE	NOT APPLICABLE	34566-9023	0	B	ST GRY											62			59															
															42	41			39	38														
						73							31				27				23	22		20		18	17							
SALEABLE	NOT APPLICABLE	34822-0323	9	A	BLACK			62	61	60	59	58	57	56	55			52																
						48	47	46	45	44	43	42	41	40	39			36			34					66								
						65							32	31	30	29			27	26	25		23		21									
SALEABLE	NOT APPLICABLE	34566-9033	0	C	BLUE			72		70						67				63			60	59	58	57	56	55						
						52	51	50	49			47	46	45	44										39	38				34				
						73								31	30	29	28			26	25	24	23	22	21					17				
SALEABLE	NOT APPLICABLE	34566-9043	0	C	BLUE		72	71	70	69						67	66	65	64										54					
						52	51	50	49			47	46	45	44										39	38								
						73									30	29	28			26	25	24	23	22	21					17				
SALEABLE	NOT APPLICABLE	34566-9053	0	C	BLUE		72	71	70	69						67	66	65	64					61	60		57	56	54	53				
						52	51	50	49	48			46	45	44	43	42								40	39	38	37	36		34	33		
						73								31	30	29	28								23	22	21	20						
SALEABLE	NOT APPLICABLE	34566-9063	0	B	ST GRY		72								68							62	61	60	59			55						
						52								46		44	43								41	40								
						73																			22	21	20	19	18	17				
SALEABLE	NOT APPLICABLE	34566-9073	0	B	ST GRY		72	71	70	69						68	67	66	65	64	63			61	60	59		57	56	55				
						52	51	50	49	48	47	46	45	44	43											41	40	39	38	37	36	35	34	33
						73								32	31	30	29	28			26		24	23	22	21	20	19	18	17				
SALEABLE	NOT APPLICABLE	34566-9083	0	A	BLACK		72		70							67				63			60	59	58	57	56	55						
						52	51			48	47	46					28	27							40	39	38	37	36	35				
						73												12	11		9			7			22	21			18	17		
SALEABLE	NOT APPLICABLE	34566-9093	0	A	BLACK		72		70							67				63			60	59	58	57	56	55						
						52	51			48	47	46					28	27							40	39	38	37	36	35				
						73												12	11		9				22	21					18	17		
SALEABLE	NOT APPLICABLE	34566-9113	0	A	BLACK		72	71	70	69						68		66	65	64	63			61	60			57	56	54	53			
						52	51	50	49	48			46	45	44	43	42									40	39	38	37	36		34	33	
						73								31	30	29	28									23	22	21	20					
SALEABLE	NOT APPLICABLE	34566-9123	0	G	BLUE				78	77	76	75	74							72			70							64	63			
						60		58	57	56	55	54							52	51	50	49				47		45						
						40	39	38	37							33	32	31								27	26							
SALEABLE	NOT APPLICABLE	34822-0333	0	A	BLACK																													
						48		46	45	44	43	42	41	40	39											36		34						
						65								32	31	30	29			27	26				23									
SALEABLE	NOT APPLICABLE	34822-0343	0	A	BLACK					61																								
									44	43			41	40												38								
						65								31																				
SALEABLE	NOT APPLICABLE	34822-0353	0	A	BLACK		64																											
						48	47	46	45	44	43	42	41	40	39											36		34						
						65								32		30	29			27	26													

**MX123 52/66/73/80-WAY RECEPTACLE ASSY SEALED PIN OUT SHEET**

STATUS	GM PART #	HRNS CONN ASSY				TPA	GROMMET CAP																								
		MATERIAL/PART	WIRE DRESS OPTION	KEY OPTION Fp	COLOR OPTION Fp	NUMBERS INDICATE CAVITIES OPEN FOR CIRCUITS																									
		NUMBER				Fp																									
SALEABLE	NOT APPLICABLE	34566-9143	9	F	NATURAL	72	71	70			67	66	65	64	63	62	61	60	59			56	55	54	53						
						52	51	50	49	48	47	46	45	44										36	35	34					
						73				32	31		29	28	27	26	25	24	23	22	21	20									
SALEABLE	NOT APPLICABLE	34566-9153	9	B	ST GRY						66																				
															41								38	37							
						73																			20	19	18	17			
SALEABLE	NOT APPLICABLE	34566-9163	9	B	ST GRY					68	67	66	65			62		60	59												
										48	47	46	45	44		42	41	40	39							35	34				
						73					31				27												19	18	17		
SALEABLE	NOT APPLICABLE	34566-9173	0	B	ST GRY								65			62															
																41								38	37						
						73																					19	18	17		
SALEABLE	NOT APPLICABLE	34822-0363	9	C	BLUE				61																						
										44	43		41	40																	
						65						31															20				
SALEABLE	NOT APPLICABLE	34822-0373	9	A	BLACK	64	63	62	61	60						55			52	51											
						48	47	46	45							38															
						65				32		30	29			27											22	21	20	19	18
SALEABLE	NOT APPLICABLE	34822-0383	9	A	BLACK	64	63	62	61	60				57					52	51											
						48	47	46	45					40																	
						65				32		30	29			27											22	21	20	19	18
SALEABLE	NOT APPLICABLE	34822-0393	0	A	BLACK	64	63	62	61	60				57					52	51											
						48	47	46	45							38															
						65				32		30	29			27											22	21	20	19	18
SALEABLE	NOT APPLICABLE	34822-0403	9	A	BLACK	64	63									54	53		51												
																38	37		35												
						65					31			28													22		20	19	18
SALEABLE	NOT APPLICABLE	34822-0413	0	A	BLACK	64	63									54	53		51												
																38	37		35												
						65								28													22		20	19	18
SALEABLE	NOT APPLICABLE	34822-0423	9	A	BLACK											54	53														
										44	43	42	41	40	39		37	36	35	34	33										
						65					31			28			26	25	24	23											
SALEABLE	NOT APPLICABLE	34566-9183	9	B	ST GRY	72	71	70	69	68	67		65	64	63	62	61	60	59			57	56	55	54	53					
						52	51	50	49	48	47	46	45	44	43	42		40	39												
						73				32	31	30	29	28	27	26	25	24	23	22	21										
SALEABLE	NOT APPLICABLE	34566-9193	9	F	NATURAL				69	68																					
						73							30																		
SALEABLE	NOT APPLICABLE	34822-0433	0	A	BLACK	64	63	62		60	59		57	56	55	54	53	52	51	50	49										
						48	47	46	45				42				39		37	36	35	34	33								
						65				32		30	29	28	27	26	25	24	23	22	21							20	19	18	17
SALEABLE	NOT APPLICABLE	34822-0443	0	A	BLACK	64	63	62		60	59		57	56	55	54	53	52	51	50	49										
						48	47	46	45				42				39		37	36	35	34	33								
						65				32	31	30	29	28	27	26	25	24	23	22	21							20	19	18	17

MX123 52/66/73/80-WAY RECEPTACLE ASSY SEALED PIN OUT SHEET




STATUS	GM PART #	HRNS CONN ASSY			TPA	GROMMET CAP																							
		MATERIAL/PART	WIRE DRESS OPTION	KEY OPTION Fp	COLOR OPTION Fp	NUMBERS INDICATE CAVITIES OPEN FOR CIRCUITS																							
		NUMBER				Fp																							
SALEABLE	NOT APPLICABLE	34822-0453	0	A	BLACK							59	58	57	56		54	53			50		66						
										44	43	42	41	40	39														
						65																							
SALEABLE	NOT APPLICABLE	34566-9213	0	B	ST GRAY																								
							51	50	49	68	67	66	65	64									59	58	57		55	54	53
						73																							
SALEABLE	NOT APPLICABLE	34566-9223	9	B	ST GRAY																								
										72																			
						73																							
SALEABLE	NOT APPLICABLE	34566-9233	9	C	BLUE																								
							71																						
						73																							
SALEABLE	NOT APPLICABLE	34566-9243	9	B	ST GRAY																								
							72	71	70	69																			
						73																							
SALEABLE	NOT APPLICABLE	34566-9253	9	B	ST GRAY																								
							52	51	50	49	68	67	66	65	64	63	62	61	60	59									
						73																							
SALEABLE	NOT APPLICABLE	34566-9263	9	B	ST GRAY																								
							52																						
						73																							
SALEABLE	NOT APPLICABLE	34822-0463	0	A	BLACK																								
							64	63	62		60	59		57	56	55	54	53	52	51	50	49	66						
						65																							
SALEABLE	NOT APPLICABLE	34822-0473	9	C	BLUE																								
							64	63	62		60	59		57	56	55	54	53		51		49	66						
						65																							
SALEABLE	NOT APPLICABLE	34822-0483	9	A	BLACK																								
						65																							
SALEABLE	NOT APPLICABLE	34566-9273	9	B	ST GRAY																								
							72	71	70	69	68	67		65	64	63		61	60	59		57	56	55	54	53			
						73																							
SALEABLE	NOT APPLICABLE	34822-0493	0	C	BLUE																								
							64	63	62		60	59		57	56	55	54	53	52	51	50	49	66						
						65																							
SALEABLE	NOT APPLICABLE	34566-9283	9	G	BLUE																								
							80	79	78																				
						73																							
SALEABLE	NOT APPLICABLE	34566-9293	9	G	BLUE																								
							80	79	78																				
						73																							
SALEABLE	NOT APPLICABLE	34566-9313	9	A	BLACK																								
							72																						
						73																							

MX123 52/66/73/80-WAY RECEPTACLE ASSY SEALED PIN OUT SHEET

STATUS	GM PART #	HRNS CONN ASSY			TPA	GROMMET CAP																									
		MATERIAL/PART	WIRE DRESS OPTION	KEY OPTION Fp	COLOR OPTION Fp	NUMBERS INDICATE CAVITIES OPEN FOR CIRCUITS																									
		NUMBER																													
SALEABLE	NOT APPLICABLE	34566-9323	9	A	BLACK	72							64		62	61		59	58	57	56	55	54	53							
						52	51					48		46	45		43		41	40						20					
						73					32		30	29		27		25										4	3		
SALEABLE	NOT APPLICABLE	34566-9333	9	A	BLACK	72							64		62	61		59	58	57	56	55	54								
						52	51					48		46	45		43		41	40								20			
						73					32		30	29		27		25											4	3	
SALEABLE	NOT APPLICABLE	34566-9343	9	C	BLUE	72		70	69	68			66		63	62			58			56	55					53			
									49				46		43	42		40			38			36	35						
						73							31	30	29			26		24			22	21	20	19				4	3
SALEABLE	NOT APPLICABLE	34822-0503	0	A	BLACK	64		62	61	60	59	58			54	53		51													
						48	47							38	37	36		34													
						65							15		13				9		7					4	3	2	1		
SALEABLE	NOT APPLICABLE	34822-0513	9	A	BLACK		63	62	61		59				54	53					49										
														38	37		35		33												
						65							31			28			24			22	21	20	19	18	17				
SALEABLE	NOT APPLICABLE	34566-9353	9	A	BLACK	72							64		62	61			58	57	56	55	54	53							
						52	51					48		46	45		43		41	40							20				
						73					32		30	29		27		25											4		
SALEABLE	NOT APPLICABLE	34566-9363	9	A	BLACK	72							64		62	61					57	56	55	54	53						
						52	51							46	45		43		40								20				
						73					32		30	29		27		25											4		
SALEABLE	NOT APPLICABLE	34566-9373	9	G	BLUE	80									71					66											
							59		57								49														
							39										30														
SALEABLE	NOT APPLICABLE	34566-9383	9	A	BLACK	72	71	70	69	68			64	63	62	61		59	58	57	56	55	54	53							
						52	51	50		48	47	46	45	44	43		41	40	39	38	37						20	19	18	17	
						73					32		30	29		27	26	25	24										4	3	2
SALEABLE	NOT APPLICABLE	34566-9393	0	B	ST GRAY	72	71	70	69	68	67		65	64	63		61	60	59		57	56	55	54	53						
						52	51	50	49	48	47	46	45	44	43	42		40	39								20	19	18	17	
						73					32	31	30	29	28	27	26	25	24	23	22	21	20								
SALEABLE	NOT APPLICABLE	34566-9413	9	H	ST GRAY																										
SALEABLE	NOT APPLICABLE	34566-9423	0	A	BLACK	72	71	70			67	66							58	57	56	55	54	53							
						52	51	50			47	46								39		37	36	35							
						73					32	31	30	29	28	27	26												3	2	1
SALEABLE	NOT APPLICABLE	34566-9433	0	B	ST GRAY	72	71	70	69	68	67	66	65	64	63		61			58	57	56	55	54	53						
						52	51	50	49	48	47	46	45	44				40	39								20	19	18	17	
						73							30	29	28	27	26	25	24			21									
SALEABLE	NOT APPLICABLE	34566-9443	9	B	ST GRAY								65	64	63	62	61	60	59		57	56	55	54	53						
								50	49	48	47	46		44	43	42		40	39									20	19	18	17
						73					32	31	30	29	28	27	26	25	24	23	22	21									
SALEABLE	NOT APPLICABLE	34566-9453	0	A	BLACK	72	71	70	69		67			64			61	60	59		57	56	55	54	53						
						52	51					48		45	44			41	40	39	38	37	36	35	34						
						73							31	30	29		27	26	25		22						19	18			



MX123 52/66/73/80-WAY RECEPTACLE ASSY SEALED PIN OUT SHEET

STATUS	GM PART #	HRNS CONN ASSY			TPA	GROMMET CAP																							
		MATERIAL/PART	WIRE DRESS OPTION	KEY OPTION 	COLOR OPTION 	NUMBERS INDICATE CAVITIES OPEN FOR CIRCUITS 																							
		NUMBER																											
SALEABLE	NOT APPLICABLE	34566-9463	0	G	BLUE	80	79	78			75								66	65	64								
							59												46			43	42	41					
								39	38	37		35					30				26	25	24			22	21		
						20			18	17	16					12				8	7	6	5		3	2	1		
SALEABLE	NOT APPLICABLE	34566-9473	0	G	BLUE	80	79	78			75							66	65	64									
							59											46			43	42	41						
								39	38	37		35					30				26	25	24			22	21		
						20			18	17	16					12				8	7	6	5		3	2	1		
SALEABLE	NOT APPLICABLE	34566-9483	0	G	BLUE	80	79	78			75						66	65	64										
							59											46			43	42	41						
								39	38	37		35					30				26	25	24			22	21		
						20			18	17	16					12				8	7	6	5		3	2	1		
SALEABLE	NOT APPLICABLE	34566-9493	0	G	BLUE	80	79	78			75						66	65											
							59											46			43	42	41						
								39	38	37		35					30				26	25	24			22	21		
						20			18	17	16					12				8	7	6	5		3	2	1		
SALEABLE	NOT APPLICABLE	34566-9513	0	G	BLUE	80	79	78	77	76	75	74	73	72	71	70	69	68	67	66	65	64	63	62	61				
						60	59	58	57	56	55	54	53	52	51	50	49	48		46			43	42	41				
								39	38	37		35					30				26	25	24			22	21		
						20			18	17	16					12				8	7	6	5		3	2	1		
SALEABLE	NOT APPLICABLE	34566-9523	0	G	BLUE	80	79	78			75						66	65	64										
							59			57								46			43	42	41						
								39	38	37		35		33			30				26	25	24			22	21		
						20			18	17	16								8	7	6	5		3	2	1			
SALEABLE	NOT APPLICABLE	34822-0523	0	C	BLUE	64	63	62		60	59		57	56	55	54	53	52	51	50	49	66							
						48	47	46	45			42				39		37	36	35	34	33				19	18	17	
						65				32		30	29	28	27	26	25	24	23	22									
										16	15	14	13	12	11	10	9	8	7	6									
SALEABLE	NOT APPLICABLE	34566-9543	0	A	BLACK					49	48	47	46	45	44	43			40		38	37	36		34				
						73				32	31		29	28	27		25	24	23	22		20	19	18	17				
										16	15			12		10	9			6	5					2	1		
SALEABLE	NOT APPLICABLE	34566-9553	0	C	BLUE	52	51	50	49		48	47	46	45	44	43		40		38	37	36		34					
						73				32		30	29	28	27	26	25	24	23	22					19	18	17		
										16	15	14	13	12	11	10	9	8	7	6					3	2	1		
SALEABLE	NOT APPLICABLE	34566-9563	0	C	BLUE	72	71	70	69		68	67	66	65	64			60				56		54					
						52	51	50	49		48	47	46	45	44			40	39	38									
						73				31	30		28		26	25	24	23	22	21	20							17	
										16	15	14	13	12					9	8	7	6	5	4					
SALEABLE	NOT APPLICABLE	34566-9573	0	B	ST GRAY	72	71	70	69		68	67	66	65	64	63		61	60	59		57	56	55	54	53			
						52	51	50	49		48	47	46	45	44	43	42		40	39			36	35	34	33			
						73				32	31	30	29	28	27	26	25	24	23	22	21								
										16	15	14	13	12	11	10	9	8	7	6		4	3	2					
SALEABLE	NOT APPLICABLE	34566-9583	0	B	ST GRAY	72	71	70	69		68	67	66	65	64	63		61	60	59		57	56	55	54				
						52	51	50	49		48	47	46	45	44	43		41	40	39	38	37	36	35	34	33			
						73				32	31	30	29	28		26	25	24	23	22	21	20	19	18	17				
										16	15	14	13	12			9	8	7	6	5	4	3	2	1				
SALEABLE	NOT APPLICABLE	34566-9593	0	A	BLACK	72		70			67					63			60	59	58	57	56	55					
						52	51				48	47				43	42		40	39	38	37	36	35					
						73							28	27													18	17	
													12	11		9		7									2	1	
SALEABLE	NOT APPLICABLE	34566-9613	0	C	BLUE		71	70	69		67	66	65	64			60			56									
						52	51	50	49		47	46	45	44			40	39									34		
						73				31	30		28		26	25	24	23	22	21	20	19	18	17					
										16	15	14	13	12			9	8	7	6	5	4							
SALEABLE	NOT APPLICABLE	34566-9623	9	B	ST GRAY	72	71	70						64	63		61			58	57	56	55						
						52	51	50						43					38	37	36								
						73				32		30	29	28		26	25	24	23	22	21	20							
										16		14	13			11	10	9	8	7	6	5	4						


MX123 52/66/73/80-WAY RECEPTACLE ASSY SEALED PIN OUT SHEET

STATUS	GM PART #	HRNS CONN ASSY			TPA	GROMMET CAP																						
		MATERIAL/PART	WIRE DRESS OPTION	KEY OPTION	COLOR	NUMBERS INDICATE CAVITIES OPEN FOR CIRCUITS																						
		NUMBER		Fp	Fp	Fp																						
SALEABLE	NOT APPLICABLE	34566-9633	9	B	ST GRY	72	71	70	69	68	67	66	65	64	63	62	61	60	59	58	57	56	55	54	53			
						52	51	50	49	48	47	46	45	44	43	42	41	40	39	38	37	36	35	34	33			
						73				32	31	30	29	28	27	26	25	24	23	22	21	20	19	18	17	16	15	
						73				16	15	14	13	12	11	10	9	8	7	6	5	4	3	2	1	0	0	0
SALEABLE	NOT APPLICABLE	34566-9643	9	A	BLACK	69	68	67	66	65	64	63	62	61	60	59	58	57	56	55	54	53	52	51				
						52	51	50	49	48	47	46	45	44	43	42	41	40	39	38	37	36	35	34	33			
						73				32	31	30	29	28	27	26	25	24	23	22	21	20	19	18	17	16	15	
						73				16	15	14	13	12	11	10	9	8	7	6	5	4	3	2	1	0	0	0
SALEABLE	NOT APPLICABLE	34566-9653	9	G	BLUE	80	79	78	77	76	75	74	73	72	71	70	69	68	67	66	65	64	63	62	61			
						59	58	57	56	55	54	53	52	51	50	49	48	47	46	45	44	43	42	41	40	39		
						73				32	31	30	29	28	27	26	25	24	23	22	21	20	19	18	17	16	15	14
						73				16	15	14	13	12	11	10	9	8	7	6	5	4	3	2	1	0	0	0
SALEABLE	NOT APPLICABLE	34566-9663	0	B	ST GRY	72	71	70	69	68	67	66	65	64	63	62	61	60	59	58	57	56	55	54	53			
						52	51	50	49	48	47	46	45	44	43	42	41	40	39	38	37	36	35	34	33			
						73				32	31	30	29	28	27	26	25	24	23	22	21	20	19	18	17	16	15	
						73				16	15	14	13	12	11	10	9	8	7	6	5	4	3	2	1	0	0	0
SALEABLE	NOT APPLICABLE	34822-0533	9	C	BLUE	64	63	62	61	60	59	58	57	56	55	54	53	52	51	50	49	48	47	46	45			
						65				32	31	30	29	28	27	26	25	24	23	22	21	20	19	18	17	16	15	
						65				16	15	14	13	12	11	10	9	8	7	6	5	4	3	2	1	0	0	0
						65				16	15	14	13	12	11	10	9	8	7	6	5	4	3	2	1	0	0	0
SALEABLE	NOT APPLICABLE	34822-0543	0	A	BLACK	64	63	62	61	60	59	58	57	56	55	54	53	52	51	50	49	48	47	46	45			
						65				32	31	30	29	28	27	26	25	24	23	22	21	20	19	18	17	16	15	
						65				16	15	14	13	12	11	10	9	8	7	6	5	4	3	2	1	0	0	0
						65				16	15	14	13	12	11	10	9	8	7	6	5	4	3	2	1	0	0	0
SALEABLE	NOT APPLICABLE	34822-0553	0	A	BLACK	64	63	62	61	60	59	58	57	56	55	54	53	52	51	50	49	48	47	46	45			
						65				32	31	30	29	28	27	26	25	24	23	22	21	20	19	18	17	16	15	
						65				16	15	14	13	12	11	10	9	8	7	6	5	4	3	2	1	0	0	0
						65				16	15	14	13	12	11	10	9	8	7	6	5	4	3	2	1	0	0	0
SALEABLE	NOT APPLICABLE	34822-0563	0	C	BLUE	64	63	62	61	60	59	58	57	56	55	54	53	52	51	50	49	48	47	46	45			
						65				32	31	30	29	28	27	26	25	24	23	22	21	20	19	18	17	16	15	
						65				16	15	14	13	12	11	10	9	8	7	6	5	4	3	2	1	0	0	0
						65				16	15	14	13	12	11	10	9	8	7	6	5	4	3	2	1	0	0	0
SALEABLE	NOT APPLICABLE	34566-9673	0	C	BLUE	72	71	70	69	68	67	66	65	64	63	62	61	60	59	58	57	56	55	54	53			
						52	51	50	49	48	47	46	45	44	43	42	41	40	39	38	37	36	35	34	33			
						73				32	31	30	29	28	27	26	25	24	23	22	21	20	19	18	17	16	15	
						73				16	15	14	13	12	11	10	9	8	7	6	5	4	3	2	1	0	0	0
SALEABLE	NOT APPLICABLE	34566-9683	0	B	ST GRY	72	71	70	69	68	67	66	65	64	63	62	61	60	59	58	57	56	55	54	53			
						52	51	50	49	48	47	46	45	44	43	42	41	40	39	38	37	36	35	34	33			
						73				32	31	30	29	28	27	26	25	24	23	22	21	20	19	18	17	16	15	
						73				16	15	14	13	12	11	10	9	8	7	6	5	4	3	2	1	0	0	0
SALEABLE	NOT APPLICABLE	34566-9693	0	A	BLACK	72	71	70	69	68	67	66	65	64	63	62	61	60	59	58	57	56	55	54	53			
						52	51	50	49	48	47	46	45	44	43	42	41	40	39	38	37	36	35	34	33			
						73				32	31	30	29	28	27	26	25	24	23	22	21	20	19	18	17	16	15	
						73				16	15	14	13	12	11	10	9	8	7	6	5	4	3	2	1	0	0	0
SALEABLE	NOT APPLICABLE	34566-9713	0	B	ST GRY	72	71	70	69	68	67	66	65	64	63	62	61	60	59	58	57	56	55	54	53			
						52	51	50	49	48	47	46	45	44	43	42	41	40	39	38	37	36	35	34	33			
						73				32	31	30	29	28	27	26	25	24	23	22	21	20	19	18	17	16	15	
						73				16	15	14	13	12	11	10	9	8	7	6	5	4	3	2	1	0	0	0
SALEABLE	NOT APPLICABLE	34566-9723	0	B	ST GRY	72	71	70	69	68	67	66	65	64	63	62	61	60	59	58	57	56	55	54	53			
						52	51	50	49	48	47	46	45	44	43	42	41	40	39	38	37	36	35	34	33			
						73				32	31	30	29	28	27	26	25	24	23	22	21	20	19	18	17	16	15	
						73				16	15	14	13	12	11	10	9	8	7	6	5	4	3	2	1	0	0	0
SALEABLE	NOT APPLICABLE	34566-9733	0	A	BLACK	72	71	70	69	68	67	66	65	64	63	62	61	60	59	58	57	56	55	54	53			
						52	51	50	49	48	47	46	45	44	43	42	41	40	39	38	37	36	35	34	33			
						73				32	31	30	29	28	27	26	25	24	23	22	21	20	19	18	17	16	15	
						73				16	15	14	13	12	11	10	9	8	7	6	5	4	3	2	1	0	0	0
SALEABLE	NOT APPLICABLE	34822-0573	0	A	BLACK	64	63	62	61	60	59	58	57	56	55	54	53	52	51	50	49	48	47	46	45			
						65				32	31	30	29	28	27	26	25	24	23	22	21	20	19	18	17	16	15	
						65				16	15	14	13	12	11	10	9	8	7	6	5	4	3	2	1	0	0	0
						65				16	15	14	13	12	11	10	9	8	7	6	5	4	3	2	1	0	0	0





MX123 52/66/73/80-WAY RECEPTACLE ASSY SEALED PIN OUT SHEET

STATUS	GM PART #	HRNS CONN ASSY			TPA	GROMMET CAP																																																																																																																																																																																																																																																																																																																																																																																																																																																																																																																																																																																																																																																																																																																																																																																																																																																																																																																																																																																			
		MATERIAL/PART	WIRE DRESS OPTION	KEY OPTION		COLOR OPTION	NUMBERS INDICATE CAVITIES OPEN FOR CIRCUITS 																																																																																																																																																																																																																																																																																																																																																																																																																																																																																																																																																																																																																																																																																																																																																																																																																																																																																																																																																																																		
		NUMBER		Fp		Fp																																																																																																																																																																																																																																																																																																																																																																																																																																																																																																																																																																																																																																																																																																																																																																																																																																																																																																																																																																																			
SALEABLE	NOT APPLICABLE	34566-0114	0	B	ST GRAY	72	71	70	69					64	63		61			58	57	56	55					52	51	50	49						43						38	37	36					33	73				32		30	29	28		26	25	24	23	22	21	20								1	SALEABLE	NOT APPLICABLE	34566-0124	0	B	ST GRAY	72										62	61	60	59							55		52				48	47	46										40							33	73						30										22	21	20	19	18	17			SALEABLE	NOT APPLICABLE	34566-0134	0	B	ST GRAY	72										62	61	60	59							55		52				48	47	46											38	37	36	35				73						30											22	21	20	19	18			SALEABLE	NOT APPLICABLE	34566-0144	9	B	ST GRAY						66							41					58																					38	37						73																				20	19	18	17	SALEABLE	NOT APPLICABLE	34822-0663	9	C	BLUE				61	60		58																			44	43																			65						31													21	20	19			SALEABLE	NOT APPLICABLE	34822-0673	0	A	BLACK	64						58	57	56	55				52	51	50						48	47	46	45	44	43	42	41	40	39				36		34									65				32		30	29		27	26	25														SALEABLE	NOT APPLICABLE	34822-0683	9	A	BLACK		63	62	61	60	59					54	53							49							44											38	37				35	33			65						31			28								24	23	22	21	20	19	18	17	SALEABLE	NOT APPLICABLE	34822-0693	9	C	BLUE			62	61			58																			44	43		41	40																65						31														20	19			SALEABLE	NOT APPLICABLE	34566-0154	9	B	ST GRAY	72	71	70	69	68	67	66	65	64	63	62	61	60	59		57	56	55	54	53			52	51	50	49	48	47	46	45	44	43	42	41	40	39										33	73				32	31	30	29	28	27	26	25	24	23	22	21								3	2	SALEABLE	NOT APPLICABLE	34566-0164	0	G	BLUE	80	79	78	77		75										66	65	64			62			59		57				53													46		44	43	42	41			39	38	37		35		33	32			30								26	25	24			22	21	SALEABLE	NOT APPLICABLE	34566-0174	9	B	ST GRAY	72	71	70			67	66								60							57		52	51	50			47	46													39		37			35	33	73						30	29	28							25	24	23	22				20	19		17	SALEABLE	NOT APPLICABLE	34566-0184	9	B	ST GRAY	72	71	70	69	68	67	66	65	64	63		61				58	57	56	55	54	53			52	51	50	49	48	47	46	45	44	43	42	41	40												37	36	73				32		30	29	28							26	25	24																		16		14	13	12	11	10	9	8					6	5					1
						52	51	50	49						43						38	37	36					33																																																																																																																																																																																																																																																																																																																																																																																																																																																																																																																																																																																																																																																																																																																																																																																																																																																																																																																																																													
						73				32		30	29	28		26	25	24	23	22	21	20								1																																																																																																																																																																																																																																																																																																																																																																																																																																																																																																																																																																																																																																																																																																																																																																																																																																																																																																																																																											
SALEABLE	NOT APPLICABLE	34566-0124	0	B	ST GRAY	72										62	61	60	59							55		52				48	47	46										40							33	73						30										22	21	20	19	18	17			SALEABLE	NOT APPLICABLE	34566-0134	0	B	ST GRAY	72										62	61	60	59							55		52				48	47	46											38	37	36	35				73						30											22	21	20	19	18			SALEABLE	NOT APPLICABLE	34566-0144	9	B	ST GRAY						66							41					58																					38	37						73																				20	19	18	17	SALEABLE	NOT APPLICABLE	34822-0663	9	C	BLUE				61	60		58																			44	43																			65						31													21	20	19			SALEABLE	NOT APPLICABLE	34822-0673	0	A	BLACK	64						58	57	56	55				52	51	50						48	47	46	45	44	43	42	41	40	39				36		34									65				32		30	29		27	26	25														SALEABLE	NOT APPLICABLE	34822-0683	9	A	BLACK		63	62	61	60	59					54	53							49							44											38	37				35	33			65						31			28								24	23	22	21	20	19	18	17	SALEABLE	NOT APPLICABLE	34822-0693	9	C	BLUE			62	61			58																			44	43		41	40																65						31														20	19			SALEABLE	NOT APPLICABLE	34566-0154	9	B	ST GRAY	72	71	70	69	68	67	66	65	64	63	62	61	60	59		57	56	55	54	53			52	51	50	49	48	47	46	45	44	43	42	41	40	39										33	73				32	31	30	29	28	27	26	25	24	23	22	21								3	2	SALEABLE	NOT APPLICABLE	34566-0164	0	G	BLUE	80	79	78	77		75										66	65	64			62			59		57				53													46		44	43	42	41			39	38	37		35		33	32			30								26	25	24			22	21	SALEABLE	NOT APPLICABLE	34566-0174	9	B	ST GRAY	72	71	70			67	66								60							57		52	51	50			47	46													39		37			35	33	73						30	29	28							25	24	23	22				20	19		17	SALEABLE	NOT APPLICABLE	34566-0184	9	B	ST GRAY	72	71	70	69	68	67	66	65	64	63		61				58	57	56	55	54	53			52	51	50	49	48	47	46	45	44	43	42	41	40												37	36	73				32		30	29	28							26	25	24																		16		14	13	12	11	10	9	8					6	5					1																																																																												
						52				48	47	46										40							33																																																																																																																																																																																																																																																																																																																																																																																																																																																																																																																																																																																																																																																																																																																																																																																																																																																																																																																																																												
						73						30										22	21	20	19	18	17																																																																																																																																																																																																																																																																																																																																																																																																																																																																																																																																																																																																																																																																																																																																																																																																																																																																																																																																																														
SALEABLE	NOT APPLICABLE	34566-0134	0	B	ST GRAY	72										62	61	60	59							55		52				48	47	46											38	37	36	35				73						30											22	21	20	19	18			SALEABLE	NOT APPLICABLE	34566-0144	9	B	ST GRAY						66							41					58																					38	37						73																				20	19	18	17	SALEABLE	NOT APPLICABLE	34822-0663	9	C	BLUE				61	60		58																			44	43																			65						31													21	20	19			SALEABLE	NOT APPLICABLE	34822-0673	0	A	BLACK	64						58	57	56	55				52	51	50						48	47	46	45	44	43	42	41	40	39				36		34									65				32		30	29		27	26	25														SALEABLE	NOT APPLICABLE	34822-0683	9	A	BLACK		63	62	61	60	59					54	53							49							44											38	37				35	33			65						31			28								24	23	22	21	20	19	18	17	SALEABLE	NOT APPLICABLE	34822-0693	9	C	BLUE			62	61			58																			44	43		41	40																65						31														20	19			SALEABLE	NOT APPLICABLE	34566-0154	9	B	ST GRAY	72	71	70	69	68	67	66	65	64	63	62	61	60	59		57	56	55	54	53			52	51	50	49	48	47	46	45	44	43	42	41	40	39										33	73				32	31	30	29	28	27	26	25	24	23	22	21								3	2	SALEABLE	NOT APPLICABLE	34566-0164	0	G	BLUE	80	79	78	77		75										66	65	64			62			59		57				53													46		44	43	42	41			39	38	37		35		33	32			30								26	25	24			22	21	SALEABLE	NOT APPLICABLE	34566-0174	9	B	ST GRAY	72	71	70			67	66								60							57		52	51	50			47	46													39		37			35	33	73						30	29	28							25	24	23	22				20	19		17	SALEABLE	NOT APPLICABLE	34566-0184	9	B	ST GRAY	72	71	70	69	68	67	66	65	64	63		61				58	57	56	55	54	53			52	51	50	49	48	47	46	45	44	43	42	41	40												37	36	73				32		30	29	28							26	25	24																		16		14	13	12	11	10	9	8					6	5					1																																																																																																																																																								
						52				48	47	46											38	37	36	35																																																																																																																																																																																																																																																																																																																																																																																																																																																																																																																																																																																																																																																																																																																																																																																																																																																																																																																																																															
						73						30											22	21	20	19	18																																																																																																																																																																																																																																																																																																																																																																																																																																																																																																																																																																																																																																																																																																																																																																																																																																																																																																																																																														
SALEABLE	NOT APPLICABLE	34566-0144	9	B	ST GRAY						66							41					58																					38	37						73																				20	19	18	17	SALEABLE	NOT APPLICABLE	34822-0663	9	C	BLUE				61	60		58																			44	43																			65						31													21	20	19			SALEABLE	NOT APPLICABLE	34822-0673	0	A	BLACK	64						58	57	56	55				52	51	50						48	47	46	45	44	43	42	41	40	39				36		34									65				32		30	29		27	26	25														SALEABLE	NOT APPLICABLE	34822-0683	9	A	BLACK		63	62	61	60	59					54	53							49							44											38	37				35	33			65						31			28								24	23	22	21	20	19	18	17	SALEABLE	NOT APPLICABLE	34822-0693	9	C	BLUE			62	61			58																			44	43		41	40																65						31														20	19			SALEABLE	NOT APPLICABLE	34566-0154	9	B	ST GRAY	72	71	70	69	68	67	66	65	64	63	62	61	60	59		57	56	55	54	53			52	51	50	49	48	47	46	45	44	43	42	41	40	39										33	73				32	31	30	29	28	27	26	25	24	23	22	21								3	2	SALEABLE	NOT APPLICABLE	34566-0164	0	G	BLUE	80	79	78	77		75										66	65	64			62			59		57				53													46		44	43	42	41			39	38	37		35		33	32			30								26	25	24			22	21	SALEABLE	NOT APPLICABLE	34566-0174	9	B	ST GRAY	72	71	70			67	66								60							57		52	51	50			47	46													39		37			35	33	73						30	29	28							25	24	23	22				20	19		17	SALEABLE	NOT APPLICABLE	34566-0184	9	B	ST GRAY	72	71	70	69	68	67	66	65	64	63		61				58	57	56	55	54	53			52	51	50	49	48	47	46	45	44	43	42	41	40												37	36	73				32		30	29	28							26	25	24																		16		14	13	12	11	10	9	8					6	5					1																																																																																																																																																																																																																																				
																							38	37																																																																																																																																																																																																																																																																																																																																																																																																																																																																																																																																																																																																																																																																																																																																																																																																																																																																																																																																																																	
						73																				20	19	18	17																																																																																																																																																																																																																																																																																																																																																																																																																																																																																																																																																																																																																																																																																																																																																																																																																																																																																																																																																												
SALEABLE	NOT APPLICABLE	34822-0663	9	C	BLUE				61	60		58																			44	43																			65						31													21	20	19			SALEABLE	NOT APPLICABLE	34822-0673	0	A	BLACK	64						58	57	56	55				52	51	50						48	47	46	45	44	43	42	41	40	39				36		34									65				32		30	29		27	26	25														SALEABLE	NOT APPLICABLE	34822-0683	9	A	BLACK		63	62	61	60	59					54	53							49							44											38	37				35	33			65						31			28								24	23	22	21	20	19	18	17	SALEABLE	NOT APPLICABLE	34822-0693	9	C	BLUE			62	61			58																			44	43		41	40																65						31														20	19			SALEABLE	NOT APPLICABLE	34566-0154	9	B	ST GRAY	72	71	70	69	68	67	66	65	64	63	62	61	60	59		57	56	55	54	53			52	51	50	49	48	47	46	45	44	43	42	41	40	39										33	73				32	31	30	29	28	27	26	25	24	23	22	21								3	2	SALEABLE	NOT APPLICABLE	34566-0164	0	G	BLUE	80	79	78	77		75										66	65	64			62			59		57				53													46		44	43	42	41			39	38	37		35		33	32			30								26	25	24			22	21	SALEABLE	NOT APPLICABLE	34566-0174	9	B	ST GRAY	72	71	70			67	66								60							57		52	51	50			47	46													39		37			35	33	73						30	29	28							25	24	23	22				20	19		17	SALEABLE	NOT APPLICABLE	34566-0184	9	B	ST GRAY	72	71	70	69	68	67	66	65	64	63		61				58	57	56	55	54	53			52	51	50	49	48	47	46	45	44	43	42	41	40												37	36	73				32		30	29	28							26	25	24																		16		14	13	12	11	10	9	8					6	5					1																																																																																																																																																																																																																																																																																																															
										44	43																																																																																																																																																																																																																																																																																																																																																																																																																																																																																																																																																																																																																																																																																																																																																																																																																																																																																																																																																																														
						65						31													21	20	19																																																																																																																																																																																																																																																																																																																																																																																																																																																																																																																																																																																																																																																																																																																																																																																																																																																																																																																																																														
SALEABLE	NOT APPLICABLE	34822-0673	0	A	BLACK	64						58	57	56	55				52	51	50						48	47	46	45	44	43	42	41	40	39				36		34									65				32		30	29		27	26	25														SALEABLE	NOT APPLICABLE	34822-0683	9	A	BLACK		63	62	61	60	59					54	53							49							44											38	37				35	33			65						31			28								24	23	22	21	20	19	18	17	SALEABLE	NOT APPLICABLE	34822-0693	9	C	BLUE			62	61			58																			44	43		41	40																65						31														20	19			SALEABLE	NOT APPLICABLE	34566-0154	9	B	ST GRAY	72	71	70	69	68	67	66	65	64	63	62	61	60	59		57	56	55	54	53			52	51	50	49	48	47	46	45	44	43	42	41	40	39										33	73				32	31	30	29	28	27	26	25	24	23	22	21								3	2	SALEABLE	NOT APPLICABLE	34566-0164	0	G	BLUE	80	79	78	77		75										66	65	64			62			59		57				53													46		44	43	42	41			39	38	37		35		33	32			30								26	25	24			22	21	SALEABLE	NOT APPLICABLE	34566-0174	9	B	ST GRAY	72	71	70			67	66								60							57		52	51	50			47	46													39		37			35	33	73						30	29	28							25	24	23	22				20	19		17	SALEABLE	NOT APPLICABLE	34566-0184	9	B	ST GRAY	72	71	70	69	68	67	66	65	64	63		61				58	57	56	55	54	53			52	51	50	49	48	47	46	45	44	43	42	41	40												37	36	73				32		30	29	28							26	25	24																		16		14	13	12	11	10	9	8					6	5					1																																																																																																																																																																																																																																																																																																																																																																																										
						48	47	46	45	44	43	42	41	40	39				36		34																																																																																																																																																																																																																																																																																																																																																																																																																																																																																																																																																																																																																																																																																																																																																																																																																																																																																																																																																																				
						65				32		30	29		27	26	25																																																																																																																																																																																																																																																																																																																																																																																																																																																																																																																																																																																																																																																																																																																																																																																																																																																																																																																																																																								
SALEABLE	NOT APPLICABLE	34822-0683	9	A	BLACK		63	62	61	60	59					54	53							49							44											38	37				35	33			65						31			28								24	23	22	21	20	19	18	17	SALEABLE	NOT APPLICABLE	34822-0693	9	C	BLUE			62	61			58																			44	43		41	40																65						31														20	19			SALEABLE	NOT APPLICABLE	34566-0154	9	B	ST GRAY	72	71	70	69	68	67	66	65	64	63	62	61	60	59		57	56	55	54	53			52	51	50	49	48	47	46	45	44	43	42	41	40	39										33	73				32	31	30	29	28	27	26	25	24	23	22	21								3	2	SALEABLE	NOT APPLICABLE	34566-0164	0	G	BLUE	80	79	78	77		75										66	65	64			62			59		57				53													46		44	43	42	41			39	38	37		35		33	32			30								26	25	24			22	21	SALEABLE	NOT APPLICABLE	34566-0174	9	B	ST GRAY	72	71	70			67	66								60							57		52	51	50			47	46													39		37			35	33	73						30	29	28							25	24	23	22				20	19		17	SALEABLE	NOT APPLICABLE	34566-0184	9	B	ST GRAY	72	71	70	69	68	67	66	65	64	63		61				58	57	56	55	54	53			52	51	50	49	48	47	46	45	44	43	42	41	40												37	36	73				32		30	29	28							26	25	24																		16		14	13	12	11	10	9	8					6	5					1																																																																																																																																																																																																																																																																																																																																																																																																																																																																						
										44											38	37				35	33																																																																																																																																																																																																																																																																																																																																																																																																																																																																																																																																																																																																																																																																																																																																																																																																																																																																																																																																																														
						65						31			28								24	23	22	21	20	19	18	17																																																																																																																																																																																																																																																																																																																																																																																																																																																																																																																																																																																																																																																																																																																																																																																																																																																																																																																																																											
SALEABLE	NOT APPLICABLE	34822-0693	9	C	BLUE			62	61			58																			44	43		41	40																65						31														20	19			SALEABLE	NOT APPLICABLE	34566-0154	9	B	ST GRAY	72	71	70	69	68	67	66	65	64	63	62	61	60	59		57	56	55	54	53			52	51	50	49	48	47	46	45	44	43	42	41	40	39										33	73				32	31	30	29	28	27	26	25	24	23	22	21								3	2	SALEABLE	NOT APPLICABLE	34566-0164	0	G	BLUE	80	79	78	77		75										66	65	64			62			59		57				53													46		44	43	42	41			39	38	37		35		33	32			30								26	25	24			22	21	SALEABLE	NOT APPLICABLE	34566-0174	9	B	ST GRAY	72	71	70			67	66								60							57		52	51	50			47	46													39		37			35	33	73						30	29	28							25	24	23	22				20	19		17	SALEABLE	NOT APPLICABLE	34566-0184	9	B	ST GRAY	72	71	70	69	68	67	66	65	64	63		61				58	57	56	55	54	53			52	51	50	49	48	47	46	45	44	43	42	41	40												37	36	73				32		30	29	28							26	25	24																		16		14	13	12	11	10	9	8					6	5					1																																																																																																																																																																																																																																																																																																																																																																																																																																																																																																																																																		
										44	43		41	40																																																																																																																																																																																																																																																																																																																																																																																																																																																																																																																																																																																																																																																																																																																																																																																																																																																																																																																																																																											
						65						31														20	19																																																																																																																																																																																																																																																																																																																																																																																																																																																																																																																																																																																																																																																																																																																																																																																																																																																																																																																																																														
SALEABLE	NOT APPLICABLE	34566-0154	9	B	ST GRAY	72	71	70	69	68	67	66	65	64	63	62	61	60	59		57	56	55	54	53			52	51	50	49	48	47	46	45	44	43	42	41	40	39										33	73				32	31	30	29	28	27	26	25	24	23	22	21								3	2	SALEABLE	NOT APPLICABLE	34566-0164	0	G	BLUE	80	79	78	77		75										66	65	64			62			59		57				53													46		44	43	42	41			39	38	37		35		33	32			30								26	25	24			22	21	SALEABLE	NOT APPLICABLE	34566-0174	9	B	ST GRAY	72	71	70			67	66								60							57		52	51	50			47	46													39		37			35	33	73						30	29	28							25	24	23	22				20	19		17	SALEABLE	NOT APPLICABLE	34566-0184	9	B	ST GRAY	72	71	70	69	68	67	66	65	64	63		61				58	57	56	55	54	53			52	51	50	49	48	47	46	45	44	43	42	41	40												37	36	73				32		30	29	28							26	25	24																		16		14	13	12	11	10	9	8					6	5					1																																																																																																																																																																																																																																																																																																																																																																																																																																																																																																																																																																																																																													
						52	51	50	49	48	47	46	45	44	43	42	41	40	39										33																																																																																																																																																																																																																																																																																																																																																																																																																																																																																																																																																																																																																																																																																																																																																																																																																																																																																																																																																												
						73				32	31	30	29	28	27	26	25	24	23	22	21								3	2																																																																																																																																																																																																																																																																																																																																																																																																																																																																																																																																																																																																																																																																																																																																																																																																																																																																																																																																																											
SALEABLE	NOT APPLICABLE	34566-0164	0	G	BLUE	80	79	78	77		75										66	65	64			62			59		57				53													46		44	43	42	41			39	38	37		35		33	32			30								26	25	24			22	21	SALEABLE	NOT APPLICABLE	34566-0174	9	B	ST GRAY	72	71	70			67	66								60							57		52	51	50			47	46													39		37			35	33	73						30	29	28							25	24	23	22				20	19		17	SALEABLE	NOT APPLICABLE	34566-0184	9	B	ST GRAY	72	71	70	69	68	67	66	65	64	63		61				58	57	56	55	54	53			52	51	50	49	48	47	46	45	44	43	42	41	40												37	36	73				32		30	29	28							26	25	24																		16		14	13	12	11	10	9	8					6	5					1																																																																																																																																																																																																																																																																																																																																																																																																																																																																																																																																																																																																																																																																																																										
							59		57				53													46		44	43	42	41																																																																																																																																																																																																																																																																																																																																																																																																																																																																																																																																																																																																																																																																																																																																																																																																																																																																																																																																																										
								39	38	37		35		33	32			30								26	25	24			22	21																																																																																																																																																																																																																																																																																																																																																																																																																																																																																																																																																																																																																																																																																																																																																																																																																																																																																																																																																									
SALEABLE	NOT APPLICABLE	34566-0174	9	B	ST GRAY	72	71	70			67	66								60							57		52	51	50			47	46													39		37			35	33	73						30	29	28							25	24	23	22				20	19		17	SALEABLE	NOT APPLICABLE	34566-0184	9	B	ST GRAY	72	71	70	69	68	67	66	65	64	63		61				58	57	56	55	54	53			52	51	50	49	48	47	46	45	44	43	42	41	40												37	36	73				32		30	29	28							26	25	24																		16		14	13	12	11	10	9	8					6	5					1																																																																																																																																																																																																																																																																																																																																																																																																																																																																																																																																																																																																																																																																																																																																																																																											
						52	51	50			47	46													39		37			35	33																																																																																																																																																																																																																																																																																																																																																																																																																																																																																																																																																																																																																																																																																																																																																																																																																																																																																																																																																										
						73						30	29	28							25	24	23	22				20	19		17																																																																																																																																																																																																																																																																																																																																																																																																																																																																																																																																																																																																																																																																																																																																																																																																																																																																																																																																																										
SALEABLE	NOT APPLICABLE	34566-0184	9	B	ST GRAY	72	71	70	69	68	67	66	65	64	63		61				58	57	56	55	54	53			52	51	50	49	48	47	46	45	44	43	42	41	40												37	36	73				32		30	29	28							26	25	24																		16		14	13	12	11	10	9	8					6	5					1																																																																																																																																																																																																																																																																																																																																																																																																																																																																																																																																																																																																																																																																																																																																																																																																																																																																												
						52	51	50	49	48	47	46	45	44	43	42	41	40												37	36																																																																																																																																																																																																																																																																																																																																																																																																																																																																																																																																																																																																																																																																																																																																																																																																																																																																																																																																																										
						73				32		30	29	28							26	25	24																																																																																																																																																																																																																																																																																																																																																																																																																																																																																																																																																																																																																																																																																																																																																																																																																																																																																																																																																																		
								16		14	13	12	11	10	9	8					6	5					1																																																																																																																																																																																																																																																																																																																																																																																																																																																																																																																																																																																																																																																																																																																																																																																																																																																																																																																																																														