



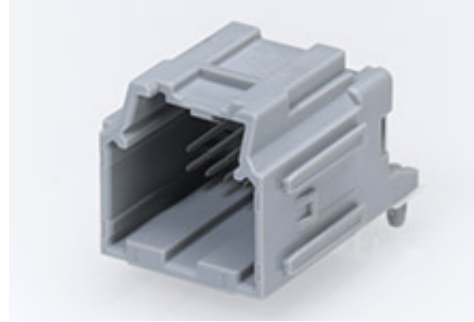
产品编号 : [346910121](#)

Product Description : Stac64 Right-Angle Header Assembly, 12 Circuits, Polarization B, Gray, Tray

系列号 : 34691

状态 : Active

Product Category : PCB Headers and Receptacles



文件和资源

图纸

[图纸 346910121_sd.pdf](#)

3D 模型和设计文件

[3D模型 346910121_stp.zip](#)

规格


[应用规格 347290200-AS-CH-000.pdf](#)

[应用规格 AS-34729-020-001.pdf](#)

[产品规格 PS-34729-020-001.pdf](#)

产物环境合规

合规

GADSL/IMDS	Duty-To-Declare
China RoHS	
EU ELV	Compliant per 2000/53/EC
Low-Halogen Status	Low-Halogen per IEC 61249-2-21
REACH SVHC	Not Contained per D(2023)3788-DC (14 Jun 2023)
EU RoHS	Compliant per EU 2015/863

多部分产品合规性声明

- Eu RoHS
- REACH SVHC
- Low-Halogen

多部分行业合规性文件

- IPC 1752A Class C

- IPC 1752A Class D
- Molex Product Compliance Declaration
- IEC-62474
- chemSHERPA (xml)

欧盟 RoHS 合格证书

产品详情

常规

状态	活动
类别	PCB Headers and Receptacles
系列	34691
说明	Stac64 Right-Angle Header Assembly, 12 Circuits, Polarization B, Gray, Tray
应用	Automotive, Power, Wire-to-Board
个评论	Polarization B
元件类型	PCB Header
产品系列	Stac64 Single, Multi-Pocket and Hybrid Header System
产品名称	Stac64
UPC	883906857714

电气

每触点最大电流	10.0A
电压 - 最大	500V

物理

断开	否
回路数 (已载入)	12
电路数 (最多)	12
颜色-树脂	灰色
耐用性(插拔次数) - 最多次数	10
先接后断	否
符合灼热丝规范	否
可配插产品指南	否
插接极性	无

锁定插接部位	是
材料 - 金属	Brass
材料 - 接合部位电镀	Tin
材料 - 终端电镀	Tin
材料 - 树脂	High Temperature Thermoplastic
净重	6.400/g
行数	2
方向	Right Angle
包装形式	Tray
PC 焊脚长度	3.36mm
PCB 定位器	是
PCB 保持力	无
推荐的 PCB 厚度	1.57mm
间距 - 插配接口	2.54mm
间距 - 终端界面	2.54mm
有极性的插配件	是
PCB 极性	是
有护墙的	是
可堆叠的	否
运行温度范围	-40° to +105° C
终端界面类型	Through Hole

进程

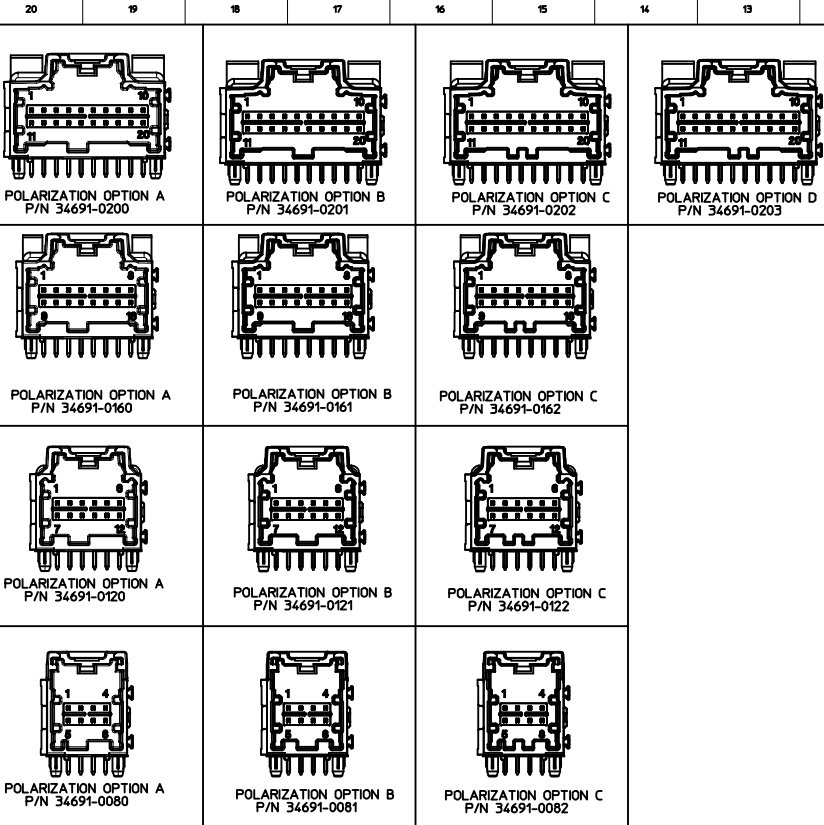
最长持续时间	40
无铅	WAVE
最大周期	3
最高温度	260

可配插/可连接使用的产品

可配插部件

描述	产品编号
Stac64 Receptacle Housings	<u>34729</u>

This document was generated on Jan 30, 2024



MATERIAL NUMBER			CKT SIZE	DESCRIPTION	POL	COLOR
TRAY PACKAGING PK-31300-892	TUBE PACKAGING PK-31301-063	ALT TRAY PACK PK-31300-894				
34691-0200	34691-9200	34691-9204	20	STAC64 RIGHT ANGLE HEADER ASSEMBLY	A	BLACK
34691-0201	34691-9201	TBD	20	STAC64 RIGHT ANGLE HEADER ASSEMBLY	B	GREY
34691-0202	34691-9202	TBD	20	STAC64 RIGHT ANGLE HEADER ASSEMBLY	C	BROWN
34691-0203	34691-9203	TBD	20	STAC64 RIGHT ANGLE HEADER ASSEMBLY	D	GREEN
34691-0160	34691-9160	TBD	16	STAC64 RIGHT ANGLE HEADER ASSEMBLY	A	BLACK
34691-0161	34691-9161	TBD	16	STAC64 RIGHT ANGLE HEADER ASSEMBLY	B	GREY
34691-0162	34691-9162	TBD	16	STAC64 RIGHT ANGLE HEADER ASSEMBLY	C	BROWN
34691-0120	34691-9120	TBD	12	STAC64 RIGHT ANGLE HEADER ASSEMBLY	A	BLACK
34691-0121	34691-9121	TBD	12	STAC64 RIGHT ANGLE HEADER ASSEMBLY	B	GREY
34691-0122	34691-9122	TBD	12	STAC64 RIGHT ANGLE HEADER ASSEMBLY	C	BROWN
34691-0080	34691-9080	TBD	8	STAC64 RIGHT ANGLE HEADER ASSEMBLY	A	BLACK
34691-0081	34691-9081	TBD	8	STAC64 RIGHT ANGLE HEADER ASSEMBLY	B	GREY
34691-0082	34691-9082	TBD	8	STAC64 RIGHT ANGLE HEADER ASSEMBLY	C	BROWN

- NOTES: VALID UNLESS OTHERWISE SPECIFIED
- GENERAL:
 - CONNECTOR HEADER MUST BE VALIDATED TO THE FOLLOWING FUNCTIONAL REQUIREMENTS:
 - POLARIZATION FEATURE EFFECTIVENESS - SEE PRODUCT SPECIFICATION
 - PIN RETENTION - USCAR-2 REV 4
 - SOLDERABILITY - SMES-152
 - APPLICATION REQUIREMENTS (REFERENCE ONLY) FOR:
 - SEE APPLICATION SPECIFICATION - AS-34729-020/AS-31408-100
 - SEE PRODUCT SPECIFICATION - PS-34729-020/PS-31408-100
 - PACKAGING SPECIFICATION: SEE CHART
 - DESIGN: MATERIALS:
 - SHROUD (PLASTIC HOUSING):
 - RESIN - SPS 30%GF - 20% REGRIND MAX. BY WEIGHT
 - 0.64MM PINS:
 - BASE MATERIAL: C26000
 - PLATING TYPE: AS NOTED
 - PIN ALIGNMENT PLATE: NYLAR
 - PLATING REQUIREMENTS:
 - UNDERPLATING - OVERALL NICKEL
 - OVERPLATING - OVERALL TIN
 - INTERFACE: USCAR
 - 064-U-008-2-202
 - 064-U-012-2-203
 - 064-U-016-2-203
 - 064-U-020-2-202

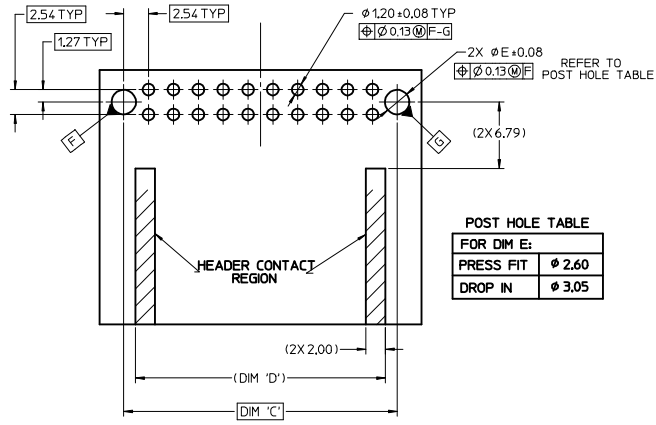
SOME CHAMBERS HAVE BEEN MODIFIED TO IMPROVE POLARIZATION EFFECTIVENESS. SEE AS-34729-002/AS-31408-100.

UPDATED DIMENSIONS EC NO: UAU2007-1044 DRAWN BY: FISCHER01 2017/05/11 CHKD: APPR:RB/ANM 2017/05/15 DESCRIPTION:	QUALITY SYMBOLS 	GENERAL TOLERANCES (UNLESS SPECIFIED) <table border="1"> <tr><th></th><th>mm</th><th>INCH</th></tr> <tr><td>4 PLACES</td><td>±.005</td><td>±.0005</td></tr> <tr><td>3 PLACES</td><td>±.008</td><td>±.0008</td></tr> <tr><td>2 PLACES</td><td>±.013</td><td>±.0013</td></tr> <tr><td>1 PLACE</td><td>±.025</td><td>±.0025</td></tr> </table>		mm	INCH	4 PLACES	±.005	±.0005	3 PLACES	±.008	±.0008	2 PLACES	±.013	±.0013	1 PLACE	±.025	±.0025	DIMENSION STYLE MM ONLY	SCALE 2:1	DESIGN UNITS METRIC	THIRD ANGLE PROJECTION
		mm	INCH																		
4 PLACES	±.005	±.0005																			
3 PLACES	±.008	±.0008																			
2 PLACES	±.013	±.0013																			
1 PLACE	±.025	±.0025																			
DRAWN BY: MBAILEY CHECKED BY: EDILLON APPROVED BY: SMARCEAU DATE: 10/02/06 DATE: 04/18/07 DATE: 2010/11/04	TITLE STAC64 SINGLE BAY RIGHT ANGLE ASSEMBLY SALES DRAWING	MATERIAL NO. SEE CHART	DOCUMENT NO. SD-34691-100	SHEET NO. 1 OF 2																	

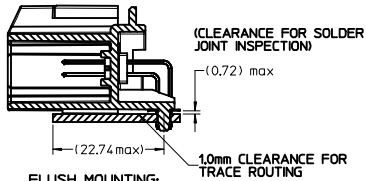
DRAFT WHERE APPLICABLE MUST REMAIN WITHIN DIMENSIONS
 THIS DRAWING CONTAINS INFORMATION THAT IS PROPRIETARY TO MOLEX INCORPORATED AND SHOULD NOT BE USED WITHOUT WRITTEN PERMISSION

CKT SIZE	DIM 'A'	DIM 'B'	DIM 'C'	DIM 'D'
20	34.04	31.57	27.94	25.54
16	28.96	26.49	22.86	20.46
12	23.88	21.41	17.78	15.38
8	18.80	16.53	12.70	10.30

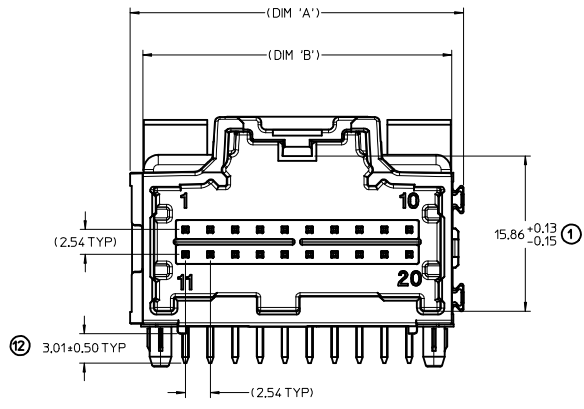
RECOMMENDED PCB LAYOUT



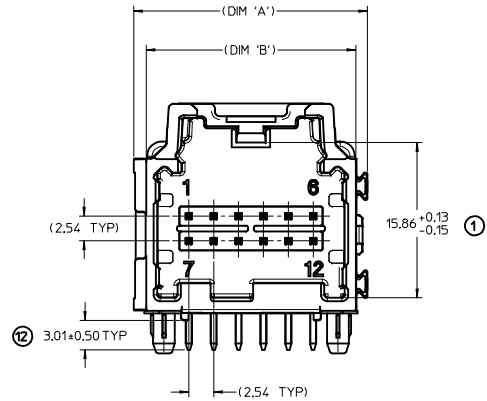
POST HOLE TABLE	
FOR DIM E:	
PRESS FIT	φ 2.60
DROP IN	φ 3.05



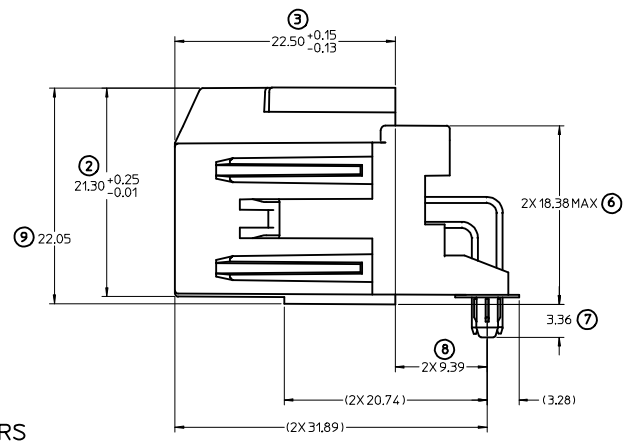
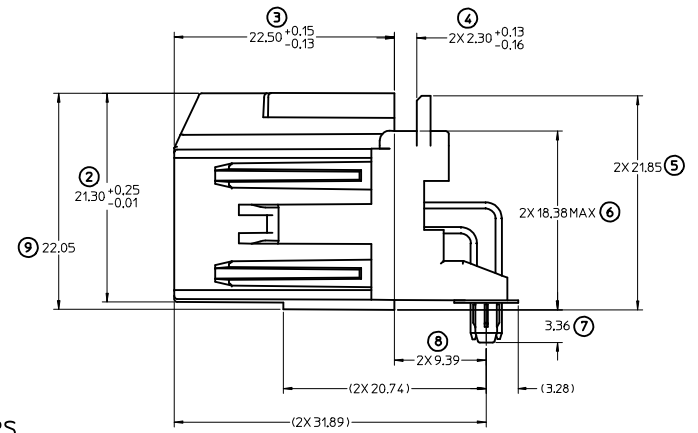
RECOMMENDED FOR WAVE SOLDER
FOR REFLOW CAPABLE PLASTIC PAP SEE:
SD-34691-600



LAYOUT FOR 16 & 20 CKT. HEADERS
(20 CKT. OPTION 'A' SHOWN)



LAYOUT FOR 8 & 12 CKT. HEADERS
(12 CKT. OPTION 'A' SHOWN)



REV	DESCRIPTION	QUALITY SYMBOLS	GENERAL TOLERANCES (UNLESS SPECIFIED)		DIMENSION STYLE		SCALE	DESIGN UNITS	THIRD ANGLE PROJECTION	
			mm	INCH	MM ONLY	DATE				
1	UPDATED DIMENSIONS	▽=0	4 PLACES	±---	---	---	4:1	METRIC	 MOLEX INCORPORATED	
2	EC NG: UAU2017-1044	▽=0	3 PLACES	±---	---	---				TITLE: STAC64 SINGLE BAY RIGHT ANGLE ASSEMBLY SALES DRAWING DATE: 10/02/06 CHECKED BY: CDILLON DATE: 04/18/07 APPROVED BY: SMARCEAU DATE: 2010/11/04 MATERIAL NO.: SEE CHART DOCUMENT NO.: SD-34691-100
3	DRWN: FISCHER01		2 PLACES	± 0.13	---	---			SHEET NO. 2 OF 2	
4	CHKD: APPR: BALMAN		1 PLACE	± 0.25	---	---				
			ANGULAR ± 3°							
			DRAFT WHERE APPLICABLE MUST REMAIN WITHIN DIMENSIONS							
			THIS DRAWING CONTAINS INFORMATION THAT IS PROPRIETARY TO MOLEX INCORPORATED AND SHOULD NOT BE USED WITHOUT WRITTEN PERMISSION							