



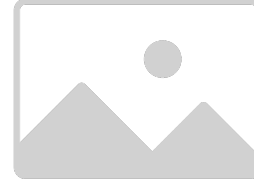
产品编号 : [346916120](#)

Product Description : Stac64 Right-Angle Header Assembly, Plastic Pin-Alignment-Plate, 12 Circuits, Polarization A, Black, Tray

系列号 : 34691

状态 : Active

Product Category : PCB Headers and Receptacles



NO IMAGE AVAILABLE

文件和资源

图纸

[图纸 346916120_sd.pdf](#)

3D 模型和设计文件

[3D模型 346916120_stp.zip](#)

规格

[应用规格 347290200-AS-CH-000.pdf](#)

[应用规格 AS-34729-020-001.pdf](#)

[产品规格 PS-34729-020-001.pdf](#)

产物环境合规

合规

GADSL/IMDS	Compliant with Exemption 44; 33
China RoHS	
EU ELV	Compliant per 2000/53/EC
Low-Halogen Status	Low-Halogen per IEC 61249-2-21
REACH SVHC	Not Contained per D(2023)3788-DC (14 Jun 2023)
EU RoHS	Compliant per EU 2015/863

多部分产品合规性声明

- Eu RoHS
- REACH SVHC
- Low-Halogen

多部分行业合规性文件

- IPC 1752A Class C
- IPC 1752A Class D
- Molex Product Compliance Declaration
- IEC-62474
- chemSHERPA (xml)

欧盟 RoHS 合格证书

产品详情

常规

状态	活动
类别	PCB Headers and Receptacles
系列	34691
说明	Stac64 Right-Angle Header Assembly, Plastic Pin-Alignment-Plate, 12 Circuits, Polarization A, Black, Tray
应用	Automotive, Power, Wire-to-Board
个评论	Polarization A
元件类型	PCB Header
产品系列	Stac64 Single, Multi-Pocket and Hybrid Header System
产品名称	Stac64
UPC	887191003641

电气

每触点最大电流	10.0A
电压 - 最大	500V

物理

断开	否
回路数 (已载入)	12
电路数 (最多)	12
颜色-树脂	黑色
耐用性(插拔次数) - 最多次数	10
先接后断	否
符合灼热丝规范	否
可配插产品指南	否

插接极性	无
锁定插接部位	是
材料 - 金属	Brass
材料 - 接合部位电镀	Tin
材料 - 终端电镀	Tin
材料 - 树脂	High Temperature Thermoplastic
净重	6.472/g
行数	2
方向	Right Angle
包装形式	Tray
PCB 定位器	是
PCB 保持力	无
推荐的 PCB 厚度	1.57mm
间距 - 插配接口	2.54mm
间距 - 终端界面	2.54mm
有极性的插配件	是
PCB 极性	是
有护墙的	是
可堆叠的	否
运行温度范围	-40° to +105° C
终端界面类型	Through Hole

进程

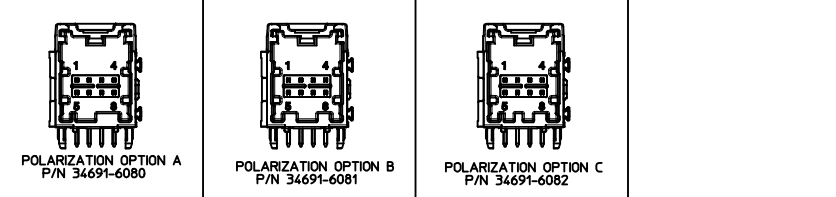
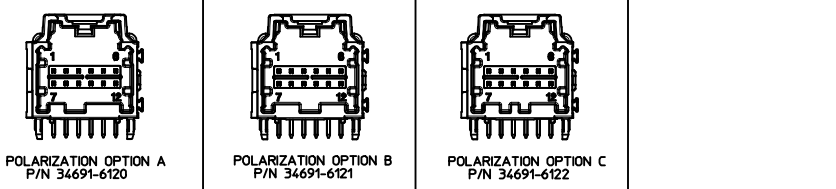
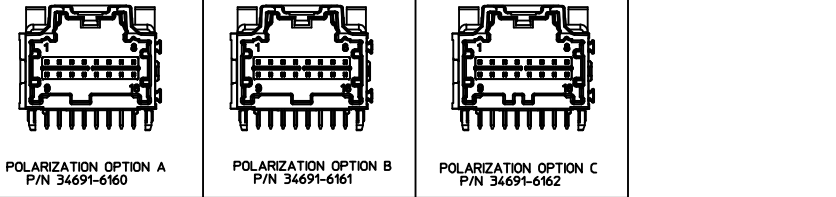
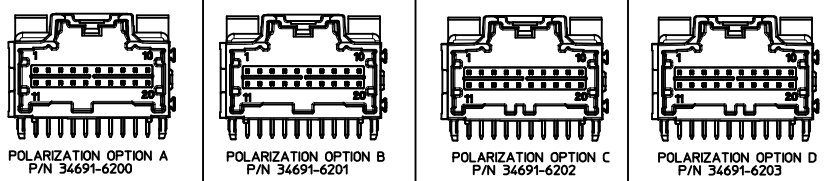
最长持续时间	40
无铅	WAVE
最大周期	3
最高温度	260

可配插/可连接使用的产品

可配插部件

描述	产品编号
Stac64 Receptacle Housings	<u>34729</u>

This document was generated on Jan 30, 2024



- NOTES: VALID UNLESS OTHERWISE SPECIFIED
1. GENERAL:
 - a. CONNECTOR HEADER MUST BE VALIDATED TO THE FOLLOWING FUNCTIONAL REQUIREMENTS:
 - POLARIZATION FEATURE EFFECTIVENESS - SEE PRODUCT SPECIFICATION
 - PIN RETENTION - USCAR-2 REV 4
 - SOLDERABILITY - SMES-152
 - b. APPLICATION REQUIREMENTS (REFERENCE ONLY) FOR:
 - SEE APPLICATION SPECIFICATION - AS-34729-020/AS-31408-100
 - SEE PRODUCT SPECIFICATION - PS-34729-020/PS-34729-020
 - c. PACKAGING SPECIFICATION: SEE CHART
 2. DESIGN: MATERIALS:
 - a. SHROUD (PLASTIC HOUSING):
 - RESIN - SPS 30%GF - 20% REGRIND MAX. BY WEIGHT
 - b. 0.64MM PINS:
 - BASE MATERIAL: C26000
 - PLATING TYPE: AS NOTED
 - c. PIN ALIGNMENT PLATE: RESIN - SPS 30%GF - 20% REGRIND MAX. BY WEIGHT
 3. PLATING REQUIREMENTS:
 - a. UNDERPLATING - OVERALL NICKEL
 - b. OVERPLATING - OVERALL TIN
 4. INTERFACE: USCAR
 - 064-U-008-2-202
 - 064-U-012-2-203
 - 064-U-016-2-203
 - 064-U-020-2-202

SOME CHAMFERS HAVE BEEN MODIFIED TO IMPROVE POLARIZATION EFFECTIVENESS. SEE AS-34729-002/AS-31408-100.

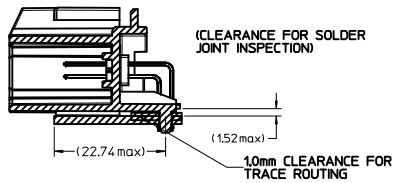
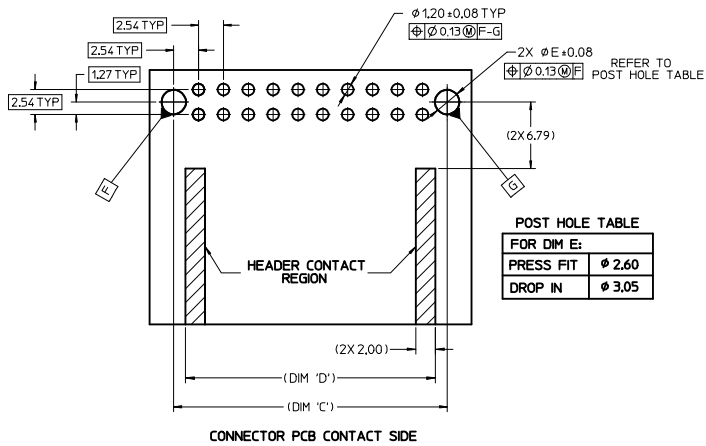
REMOVE PANEL VIEW ELEC NO: UAU2007-1044 DRAWN: FISCHER01 2017/05/11 CHKD: APPR: RBAUMAN 2017/05/15	QUALITY SYMBOLS	GENERAL TOLERANCES (UNLESS SPECIFIED)	DIMENSION STYLE	SCALE	DESIGN UNITS	THIRD ANGLE PROJECTION														
	$\nabla=0$ $\nabla=0$	<table border="1"> <thead> <tr> <th></th> <th>mm</th> <th>INCH</th> </tr> </thead> <tbody> <tr> <td>4 PLACES</td> <td>±.005</td> <td>±.0004</td> </tr> <tr> <td>3 PLACES</td> <td>±.008</td> <td>±.0003</td> </tr> <tr> <td>2 PLACES</td> <td>±.013</td> <td>±.0005</td> </tr> <tr> <td>1 PLACE</td> <td>±.025</td> <td>±.0010</td> </tr> </tbody> </table>		mm	INCH	4 PLACES	±.005	±.0004	3 PLACES	±.008	±.0003	2 PLACES	±.013	±.0005	1 PLACE	±.025	±.0010	MM ONLY 2:1 METRIC	DRAWN BY: JFISCHER01 DATE: 2013/07/26 CHECKED BY:	TITLE: STAC64 PAP R/A LONG PIN
		mm	INCH																	
	4 PLACES	±.005	±.0004																	
3 PLACES	±.008	±.0003																		
2 PLACES	±.013	±.0005																		
1 PLACE	±.025	±.0010																		
DRAFT WHERE APPLICABLE MUST REMAIN WITHIN DIMENSIONS	APPROVED BY: RBAUMAN DATE: 2013/08/05	MATERIAL NO. SEE CHART DOCUMENT NO. SD-34691-601	MOLEX INCORPORATED	SHEET NO. 1 OF 3																
THIS DRAWING CONTAINS INFORMATION THAT IS PROPRIETARY TO MOLEX INCORPORATED AND SHOULD NOT BE USED WITHOUT WRITTEN PERMISSION																				

MATERIAL NUMBER		CKT SIZE	DESCRIPTION	POL	COLOR	MATERIAL NUMBER		CKT SIZE	DESCRIPTION	POL	COLOR
TRAY PACKAGING PK-31300-892	TUBE PACKAGING PK-31301-063					TRAY PACKAGING PK-31300-892	TUBE PACKAGING PK-31301-063				
34691-6200	34691-9246	20	STAC64 RIGHT ANGLE HEADER ASSEMBLY	A	BLACK	34691-6120	34691-9623	12	STAC64 RIGHT ANGLE HEADER ASSEMBLY	A	BLACK
34691-6201	34691-9256	20	STAC64 RIGHT ANGLE HEADER ASSEMBLY	B	GREY	34691-6121	34691-9624	12	STAC64 RIGHT ANGLE HEADER ASSEMBLY	B	GREY
34691-6202	34691-9266	20	STAC64 RIGHT ANGLE HEADER ASSEMBLY	C	BROWN	34691-6122	34691-9625	12	STAC64 RIGHT ANGLE HEADER ASSEMBLY	C	BROWN
34691-6203	34691-9276	20	STAC64 RIGHT ANGLE HEADER ASSEMBLY	D	GREEN	34691-6080	34691-9680	8	STAC64 RIGHT ANGLE HEADER ASSEMBLY	A	BLACK
34691-6160	34691-9660	16	STAC64 RIGHT ANGLE HEADER ASSEMBLY	A	BLACK	34691-6081	34691-9681	8	STAC64 RIGHT ANGLE HEADER ASSEMBLY	B	GREY
34691-6161	34691-9661	16	STAC64 RIGHT ANGLE HEADER ASSEMBLY	B	GREY	34691-6082	34691-9682	8	STAC64 RIGHT ANGLE HEADER ASSEMBLY	C	BROWN
34691-6162	34691-9662	16	STAC64 RIGHT ANGLE HEADER ASSEMBLY	C	BROWN						

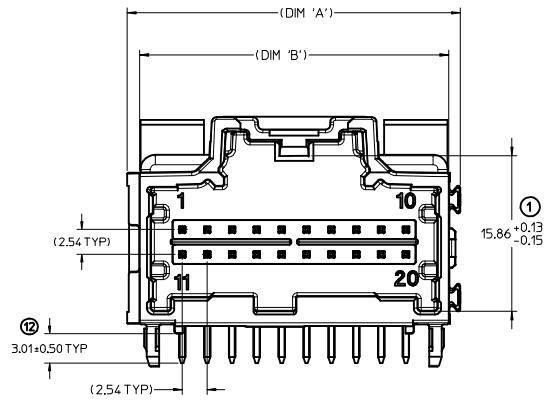
REMOVE PANEL VIEW EEC NO. UAU2017-1044 DRAWN: JFISCHERO1 2017/05/11 CHKD: [Signature] APPR: RBAUMAN 2017/05/15 REV: [Signature]	QUALITY SYMBOLS ▽=0 ▽=0	GENERAL TOLERANCES (UNLESS SPECIFIED) mm INCH 4 PLACES ± --- ± --- 3 PLACES ± --- ± --- 2 PLACES ± 0.13 ± --- 1 PLACE ± 0.25 ± --- ANGULAR ± 1°	DIMENSION STYLE MM ONLY	SCALE 4:1	DESIGN UNITS METRIC	THIRD ANGLE PROJECTION
	DRAWN BY DATE JFISCHERO1 2013/07/26		CHECKED BY DATE [Signature]		TITLE STAC64 PAP R/A LONG PIN	
	APPROVED BY DATE RBAUMAN 2013/08/05		MATERIAL NO. SEE CHART		DOCUMENT NO. SD-34691-601	
	DRAFT WHERE APPLICABLE MUST REMAIN WITHIN DIMENSIONS					

CKT SIZE	DIM 'A'	DIM 'B'	DIM 'C'	DIM 'D'
20	34.04	31.57	27.94	25.54
16	28.96	26.49	22.86	20.46
12	23.88	21.41	17.78	15.38
8	18.80	16.53	12.70	10.30

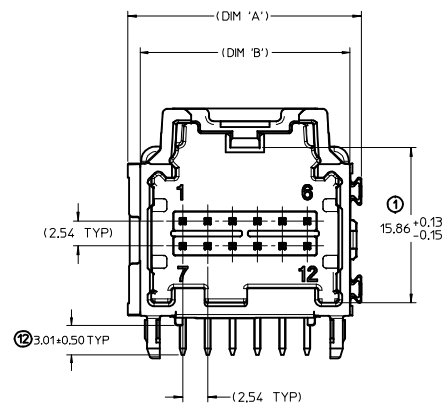
RECOMMENDED PCB LAYOUT



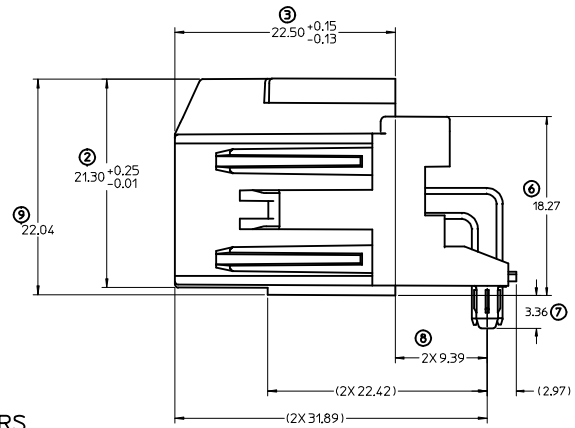
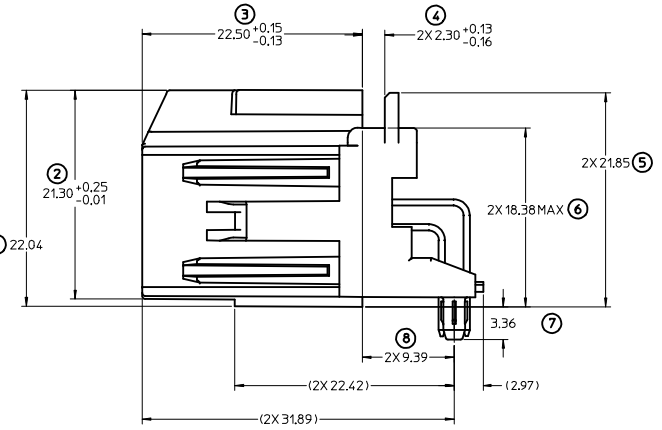
RECOMMENDED FOR REFLOW SOLDER
 FLUSH MOUNTING:
 SCALE 2:1



LAYOUT FOR 16 & 20 CKT. HEADERS
 (20 CKT. OPTION 'A' SHOWN)



LAYOUT FOR 8 & 12 CKT. HEADERS
 (12 CKT. OPTION 'A' SHOWN)



ENTER DESCRIPTION IEC NO. UAU2017-1044 DRAWN: FISCHER01 2017/05/11 CHKD: APPR: RBAUMAN 2017/05/15	QUALITY SYMBOLS ▽=0 ▽=0 ▽=0	GENERAL TOLERANCES (UNLESS SPECIFIED) <table border="1"> <thead> <tr> <th></th> <th>mm</th> <th>INCH</th> </tr> </thead> <tbody> <tr> <td>4 PLACES</td> <td>± 0.13</td> <td>± 0.005</td> </tr> <tr> <td>3 PLACES</td> <td>± 0.13</td> <td>± 0.005</td> </tr> <tr> <td>2 PLACES</td> <td>± 0.13</td> <td>± 0.005</td> </tr> <tr> <td>1 PLACE</td> <td>± 0.25</td> <td>± 0.010</td> </tr> <tr> <td>0 PLACE</td> <td>± 0.25</td> <td>± 0.010</td> </tr> </tbody> </table>		mm	INCH	4 PLACES	± 0.13	± 0.005	3 PLACES	± 0.13	± 0.005	2 PLACES	± 0.13	± 0.005	1 PLACE	± 0.25	± 0.010	0 PLACE	± 0.25	± 0.010	DIMENSION STYLE MM ONLY	SCALE 4:1	DESIGN UNITS METRIC	THIRD ANGLE PROJECTION
		mm	INCH																					
	4 PLACES	± 0.13	± 0.005																					
	3 PLACES	± 0.13	± 0.005																					
2 PLACES	± 0.13	± 0.005																						
1 PLACE	± 0.25	± 0.010																						
0 PLACE	± 0.25	± 0.010																						
DRAFT WHERE APPLICABLE MUST REMAIN WITHIN DIMENSIONS	MATERIAL NO. SEE CHART	DRAWN BY JF FISCHER01	DATE 2013/07/26	CHECKED BY DATE	TITLE STAC64 PAP R/A LONG PIN	SHEET NO. 3 OF 3																		
ANGLAR ± 1°	DOCUMENT NO. SD-34691-601	APPROVED BY RBAUMAN	DATE 2013/08/05	MOLEX	THIS DRAWING CONTAINS INFORMATION THAT IS PROPRIETARY TO MOLEX INCORPORATED AND SHOULD NOT BE USED WITHOUT WRITTEN PERMISSION	SHEET NO. 3 OF 3																		
SIZE D	THIS DRAWING CONTAINS INFORMATION THAT IS PROPRIETARY TO MOLEX INCORPORATED AND SHOULD NOT BE USED WITHOUT WRITTEN PERMISSION					SHEET NO. 3 OF 3																		