



产品编号 : [347930043](#)

Product Description : Mini50 Unsealed Right-Angle Header, Single Row, 4 Circuit, Polarization Option D, Green, Tray

系列号 : 34793

状态 : Active

Product Category : PCB Headers and Receptacles



文件和资源

图纸

[图纸 347930043_sd.pdf](#)

[包装设计图 PK-31301-440-001.pdf](#)

3D 模型和设计文件

[3D模型 347930043_stp.zip](#)

规格

[应用规格 AS-34791-020-CH-001.pdf](#)

[应用规格 AS-34791-020-001.pdf](#)

[应用规格 AS-34791-020-FR-001.pdf](#)

[产品规格 PS-34791-020-001.pdf](#)

[测试摘要 347910020-TS-000.pdf](#)

产物环境合规

合规

GADSL/IMDS	Compliant with Exemption 44; 33
China RoHS	
EU ELV	Compliant per 2000/53/EC
Low-Halogen Status	Low-Halogen per IEC 61249-2-21
REACH SVHC	Not Contained per D(2023)3788-DC (14 Jun 2023)
EU RoHS	Compliant per EU 2015/863

多部分产品合规性声明

- Eu RoHS
- REACH SVHC
- Low-Halogen

多部分行业合规性文件

- IPC 1752A Class C
- IPC 1752A Class D
- Molex Product Compliance Declaration
- IEC-62474
- chemSHERPA (xml)

欧盟 RoHS 合格证书

产品详情

常规

状态	活动
类别	PCB Headers and Receptacles
系列	34793
说明	Mini50 Unsealed Right-Angle Header, Single Row, 4 Circuit, Polarization Option D, Green, Tray
应用	Automotive, Power, Signal, Wire-to-Board
元件类型	PCB Header
产品系列	Mini50 Connection Systems
产品名称	Mini50
UPC	884982492929

电气

每触点最大电流	4.0A (for reference only)
电压 - 最大	14V (typical operating)

物理

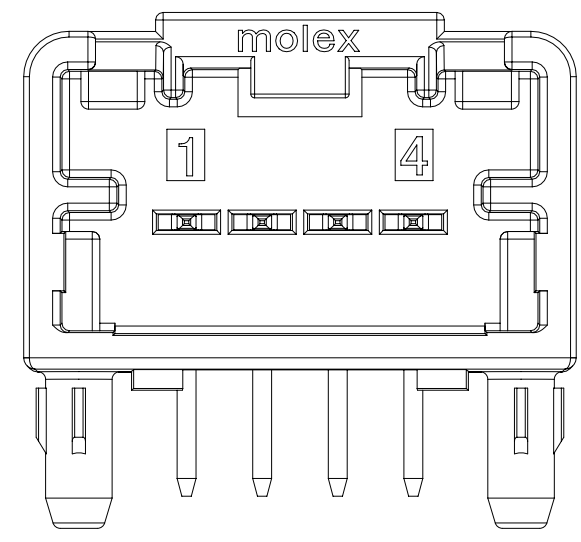
断开	否
回路数 (已载入)	4
电路数 (最多)	4
颜色-树脂	绿色
先接后断	否
符合灼热丝规范	否
可配插产品指南	否
插接极性	是

锁定插接部位	是
材料 - 金属	Brass
材料 - 接合部位电镀	Tin
材料 - 终端电镀	Tin
材料 - 树脂	Polyester Alloy
净重	1.188/g
行数	1
方向	Right Angle
包装形式	Tray
PC 焊脚长度	2.90mm
PCB 定位器	是
间距 - 插配接口	2.00mm
有极性的插配件	是
PCB 极性	是
运行温度范围	-40° to +105° C
终端界面类型	Through Hole

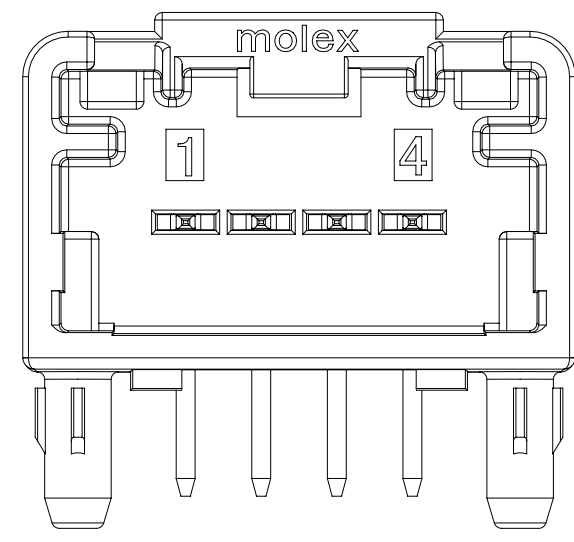
可配插/可连接使用的产品

可配插部件

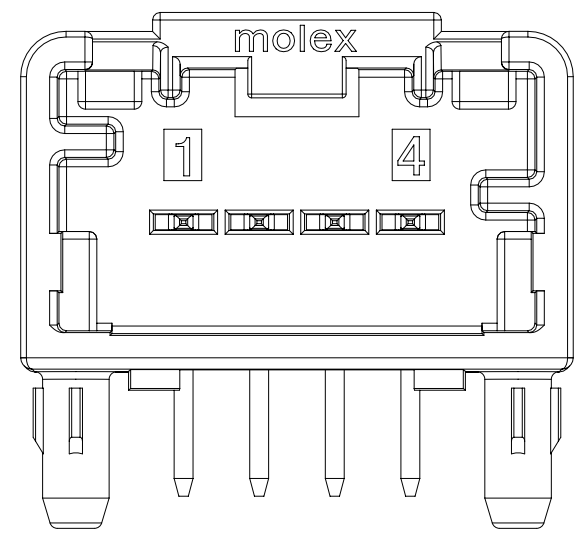
描述	产品编号
Mini50 Unsealed Receptacle Housings	<u>34791</u>



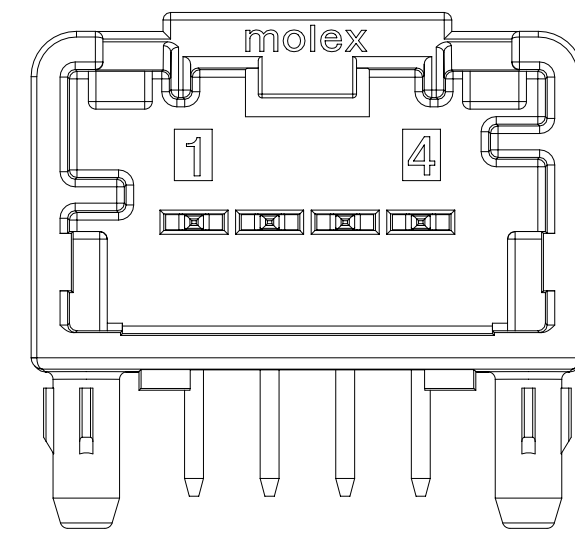
4 CIRCUIT RIGHT ANGLE HEADER
POLARIZATION OPTION A



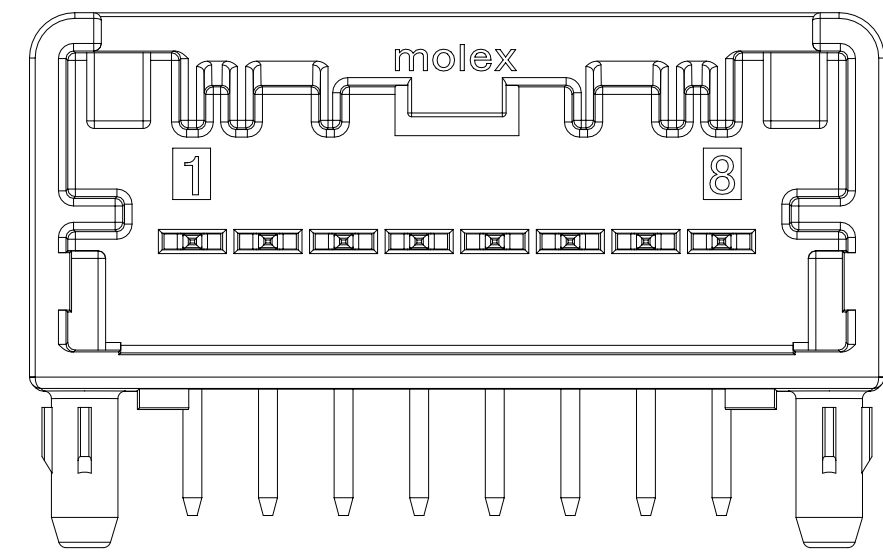
4 CIRCUIT RIGHT ANGLE HEADER
POLARIZATION OPTION B



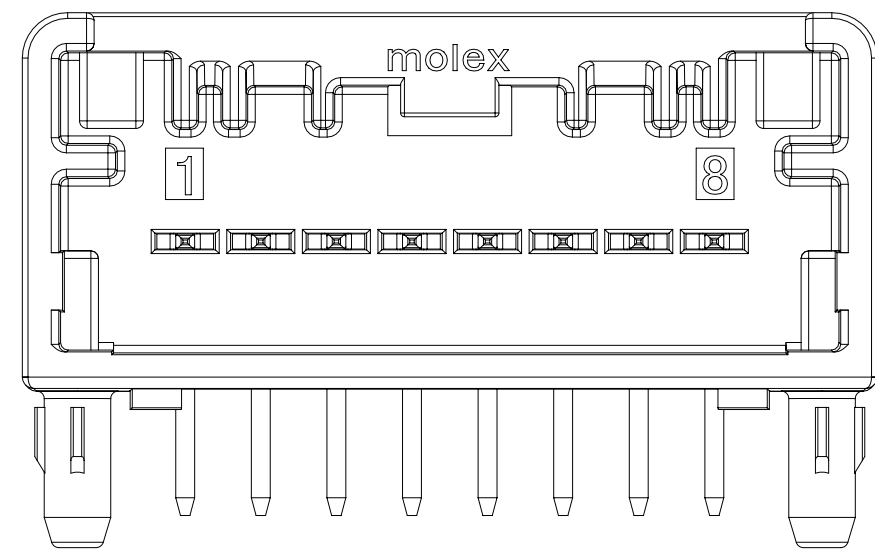
4 CIRCUIT RIGHT ANGLE HEADER
POLARIZATION OPTION C



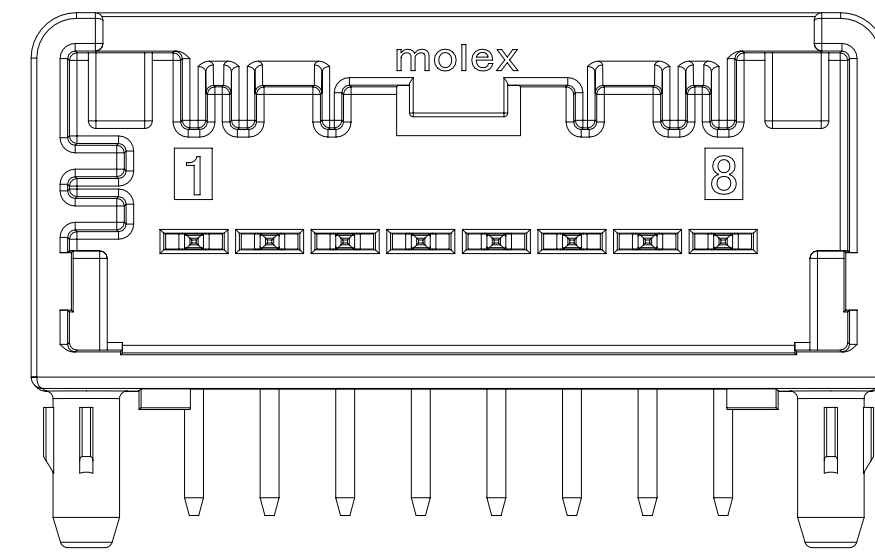
4 CIRCUIT RIGHT ANGLE HEADER
POLARIZATION OPTION D



8 CIRCUIT RIGHT ANGLE HEADER
POLARIZATION OPTION A

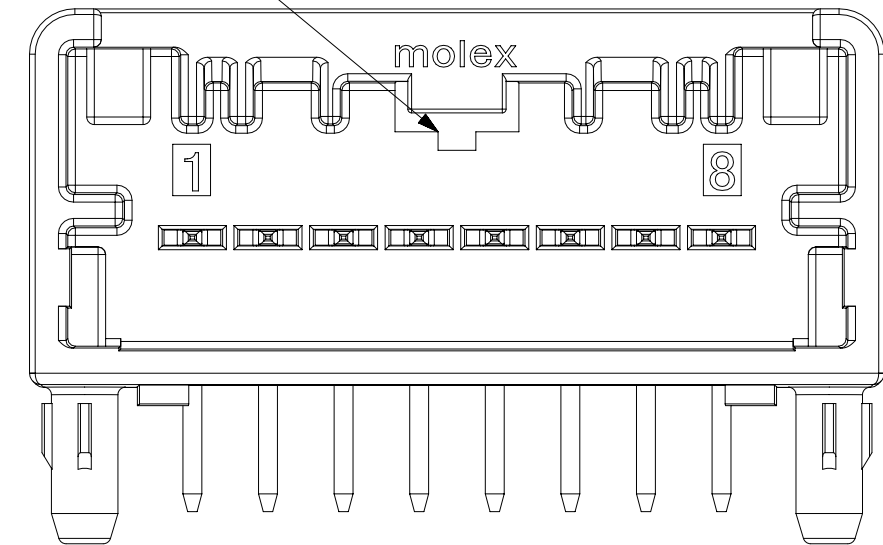


8 CIRCUIT RIGHT ANGLE HEADER
POLARIZATION OPTION B



8 CIRCUIT RIGHT ANGLE HEADER
POLARIZATION OPTION C

V0 IDENTIFIER



MINI50 RIGHT ANGLE HEADER ASSEMBLIES

MATERIAL NUMBER			CONFIGURATION	FLAMMABILITY	CIRCUIT	POL	COLOR	BLADE PLATING	MATING COMPONENT	
TAPE AND REEL PACKAGING PK-47799-0001	TUBE PACKAGING PK-31301-688	TRAY PACKAGING PK-31301-440							UN-BRIDGED	BRIDGED
34793-8040	34793-9040	34793-0040	USCAR	HB	4	A	BLACK	TIN OVER NICKEL	34791-0040	34791-0140
34793-8041	34793-9041	34793-0041	USCAR	HB	4	B	GRAY	TIN OVER NICKEL	34791-0041	34791-0141
34793-8042	34793-9042	34793-0042	USCAR	HB	4	C	DARK GRAY	TIN OVER NICKEL	34791-0042	34791-0142
34793-8043	34793-9043	34793-0043	USCAR	HB	4	D	GREEN	TIN OVER NICKEL	34791-0043	34791-0143
34793-8080	34793-9080	34793-0080	USCAR	HB	8	A	BLACK	TIN OVER NICKEL	34791-0080	34791-0180
34793-8081	34793-9081	34793-0081	USCAR	HB	8	B	GRAY	TIN OVER NICKEL	34791-0081	34791-0181
34793-8082	34793-9082	34793-0082	USCAR	HB	8	C	DARK GRAY	TIN OVER NICKEL	34791-0082	34791-0182
215426-8080	215426-9080	215426-0080	USCAR	V0	8	A	BLACK	TIN OVER NICKEL	34791-0080	34791-0180
215426-8081	215426-9081	215426-0081	USCAR	V0	8	B	GRAY	TIN OVER NICKEL	34791-0081	34791-0181
215426-8082	215426-9082	215426-0082	USCAR	V0	8	C	DARK GRAY	TIN OVER NICKEL	34791-0082	34791-0182

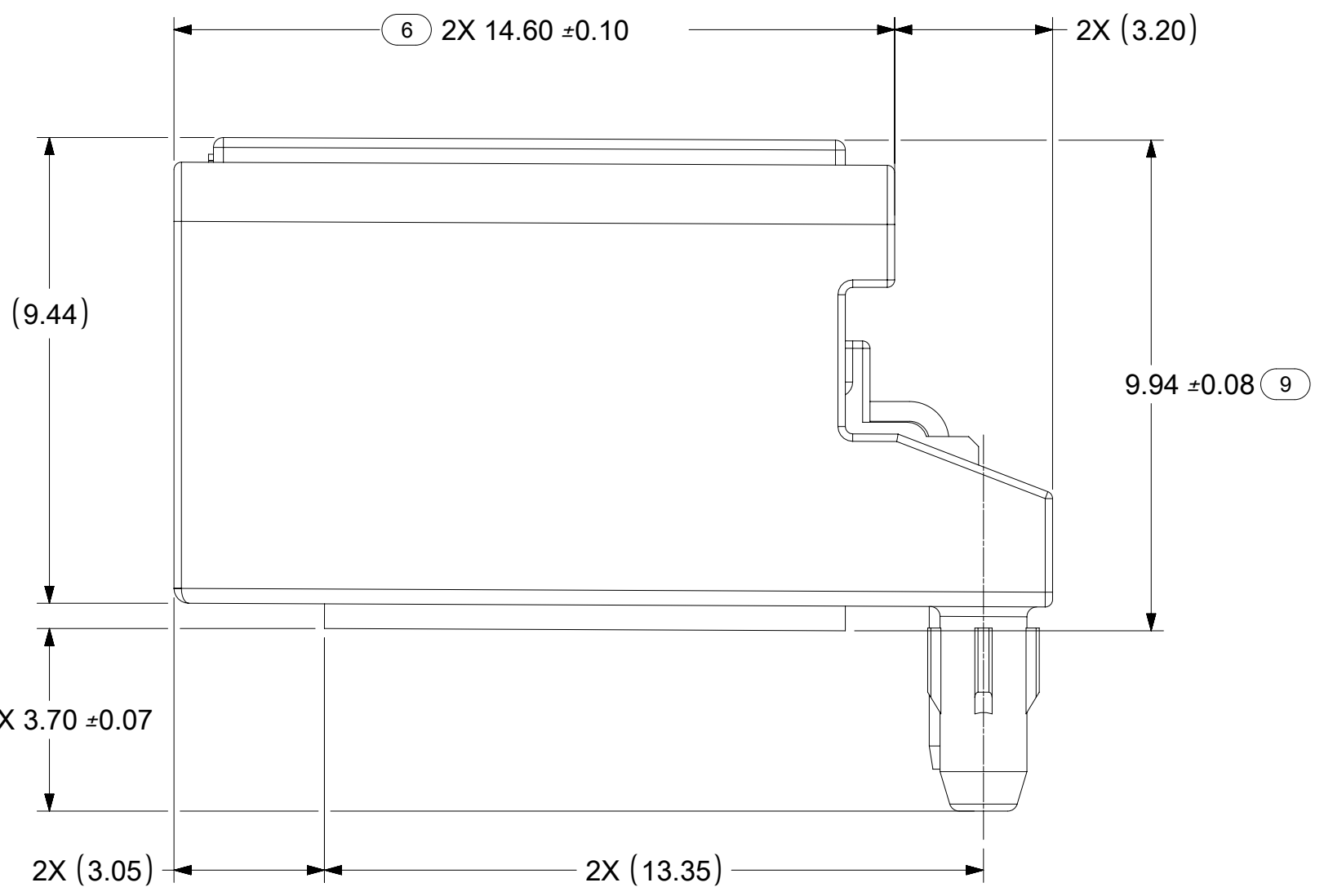
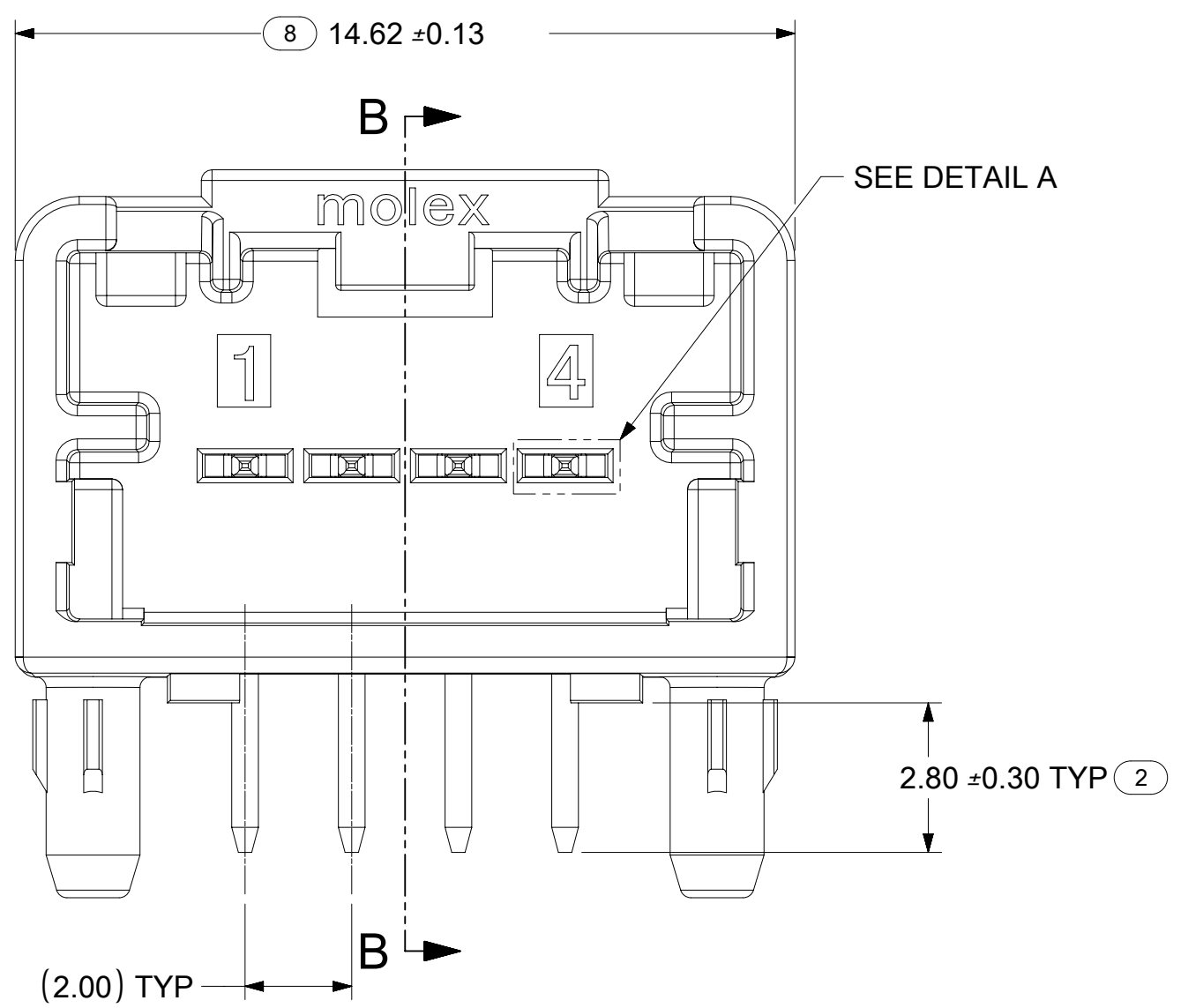
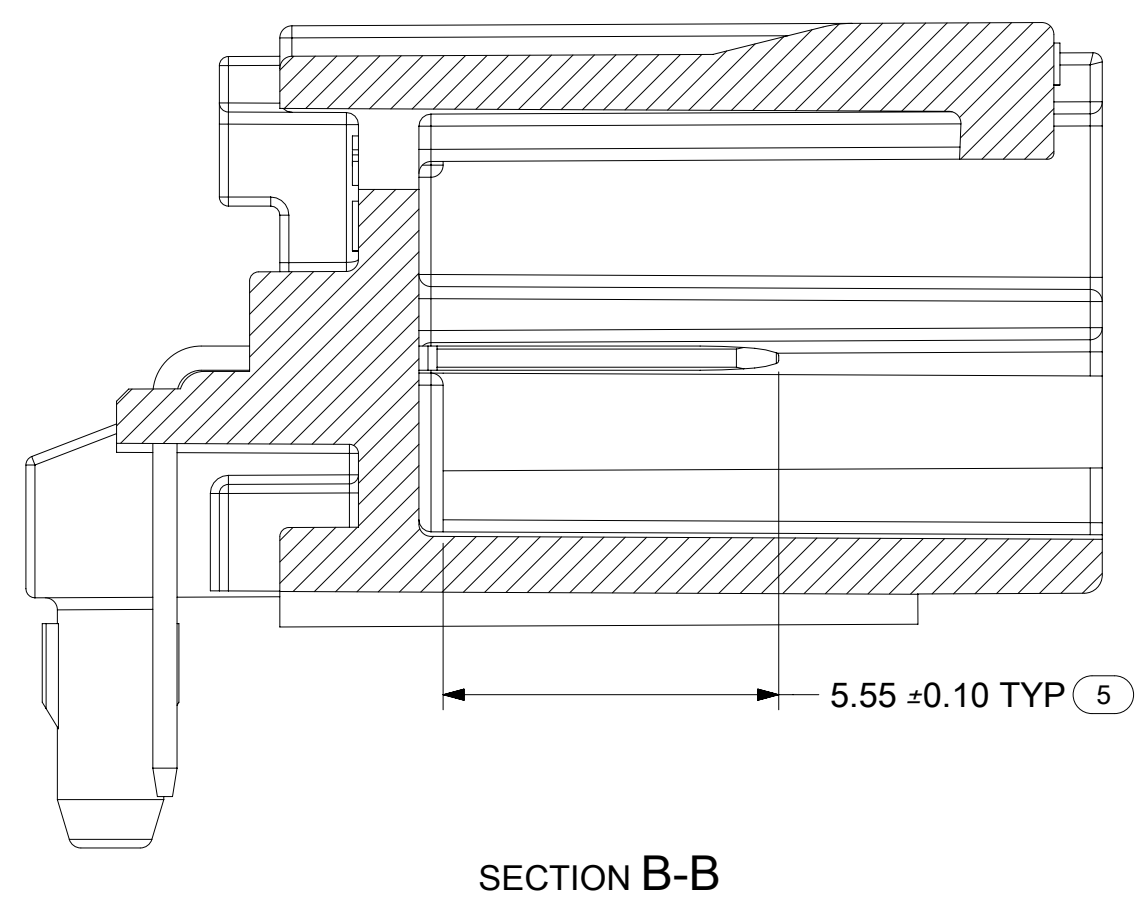
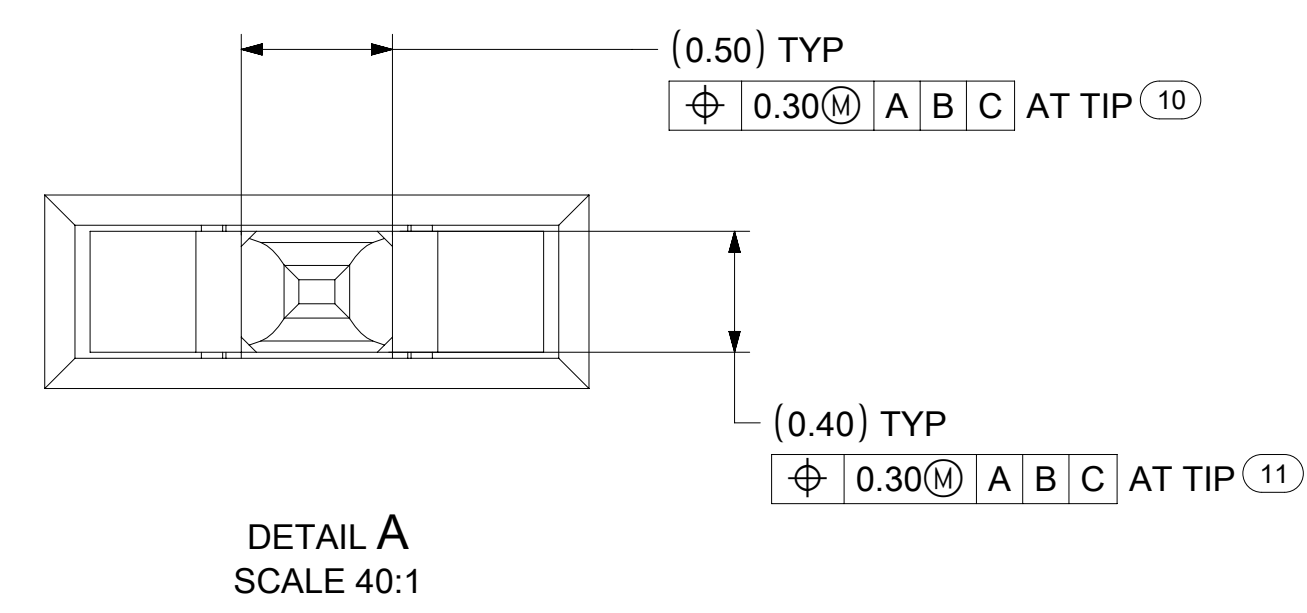
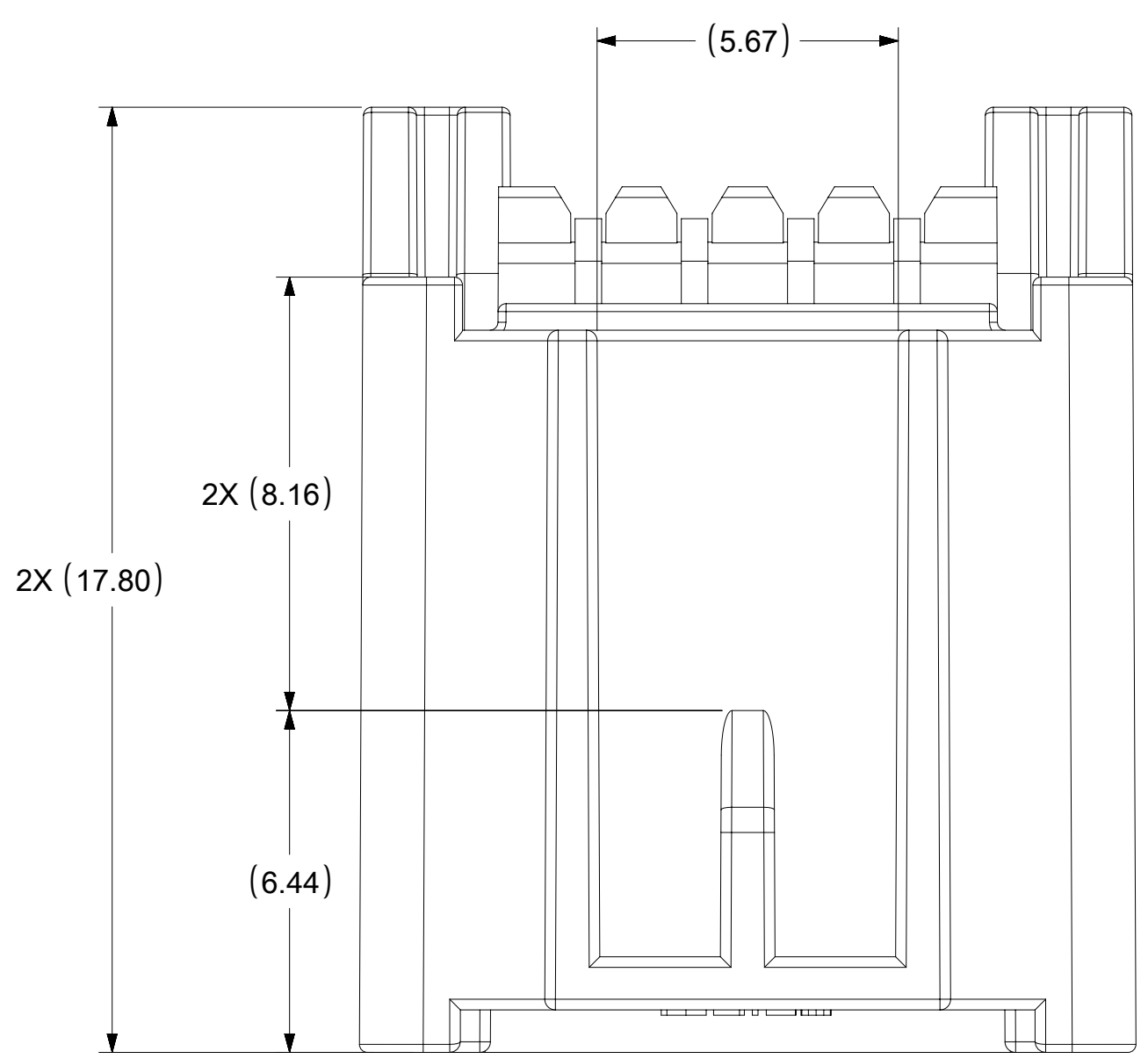
NOTES: VALID UNLESS OTHERWISE SPECIFIED

1. GENERAL:
 - a. APPLICATION SPECIFICATION SEE: AS-34791-020
 - b. PRODUCT SPECIFICATION SEE: PS-34791-020
 - c. PACKAGING SPECIFICATION PER MOLEX DRAWING: SEE CHART
 - d. SOLDERABILITY PER SMES-152
 - e. PARTS MUST BE IN COMPLIANCE TO MOLEX CHEMICAL SUBSTANCES FOR PRODUCTS AND PACKAGING SPECIFICATION: QEHS-699000-300
 - f. DATA MUST BE SUBMITTED UNDER THE MOLEX PART NUMBER TO IMDS (COMPANY ID#13255)
 - g. FLAMMABILITY REQUIREMENT: PER ISO3795 OR GM3191
 - h. VISUAL DEFECTS SHALL MEET COSMETIC STANDARD PS-45499-002 (Class B)
2. DESIGN - MATERIALS:
 - a. SHROUD (PLASTIC HOUSING): SPS 30% GF, 20% REGRIND MAX PER WEIGHT
 - b. BLADES:
 - BASE METAL: C260 BRASS
 - PLATING REQUIREMENTS:
 - TIN OVER NICKEL:
 - UNDERPLATING:
 - OVERALL NICKEL
 - OVERPLATING:
 - OVERALL TIN
3. DESIGN - GEOMETRY:
 - a. THIS IS A 100% CAD GENERATED PART. THE CAD MATHEMATICAL DATA IS THE MASTER FOR THIS PART. FOR DIMENSIONAL OR ANY INFORMATION NOT SHOWN ON THIS DRAWING, ANALYZE THE CAD MODEL.
 - b. GEOMETRIC DIMENSIONS AND TOLERANCES PER ASME Y14.5M - 2009
 - c. GENERAL TOLERANCES:
 - LINEAR: SEE TITLE BLOCK
 - ANGULAR: ±3°
 - d. EDGES AND UNDIMENSIONED DETAILS PER ISO13715
 - e. CORNERS SHOWN AS SHARP TO BE R 0.1 MAX
 - f. LETTERING SHALL BE 0.10 MAX RAISED. THIS INCLUDES RECYCLING CODE, PLANT AND CAVITY ID, VENDOR ID, AND CIRCUIT ID.
 - g. USCAR INTERFACE:
 - 4 WAY: 050-U-004-1-ZXX
 - 8 WAY: 050-U-008-1-ZXX

REV	DESCRIPTION
F6	PAGE 1: ADDED NOTE 3g
F5	PAGE 1: ADDED V0 P/N TO THE TABLE ADDED VIEW TO SHOW V0 IDENTIFIER
F4	DRAWING REMASTERED PAGE 2: BASIC UPDATED ON SECTION C-C PAGE 3: BASIC UPDATED ON SECTION D-D
F2	PAGE 2: PIN TP ADDED
F1	NX REMASTERING

INSPECTION BALLON NUMBER LOG		CURRENT REV DESC:		<h1>molex</h1>
PER DRAWING REVISION: F6		mm 5:1		
LAST BALLOON USED: 11		GENERAL TOLERANCES (UNLESS SPECIFIED)		MINI50 4 AND 8CKT R/A SALES DRAWING
ADDED BALLOON NUMBERS:		ANGULAR TOL ± °		
REMOVED BALLOON NUMBERS: 1		4 PLACES ±		PRODUCT CUSTOMER DRAWING
THIS DRAWING CONTAINS INFORMATION THAT IS PROPRIETARY TO MOLEX ELECTRONIC TECHNOLOGIES, LLC AND SHOULD NOT BE USED WITHOUT WRITTEN PERMISSION		3 PLACES ±		
DIMENSION UNITS		2 PLACES ± 0.1		DOCUMENT NUMBER SD-34793-001
SCALE		1 PLACE ± 0.2		
EC NO: 638407		0 PLACES ±		DOC TYPE PSD
DRWN: KHEWITT 2020/05/27		DRAFT WHERE APPLICABLE MUST REMAIN WITHIN DIMENSIONS		
CHK'D: SRUSS 2020/05/27		THIRD ANGLE PROJECTION		DOC PART 001
APPR: JDUNAJ 2020/05/28		DRAWING		
INITIAL REVISION:		SERIES		REVISION F6
DRWN: TMACHUGA 2011/11/15		D-SIZE		
APPR: SMARCEAU 2011/11/21		34793		SHEET NUMBER 1 OF 3
MATERIAL NUMBER		CUSTOMER		
GENERAL MARKET				

4 CKT RIGHT ANGLE HEADER

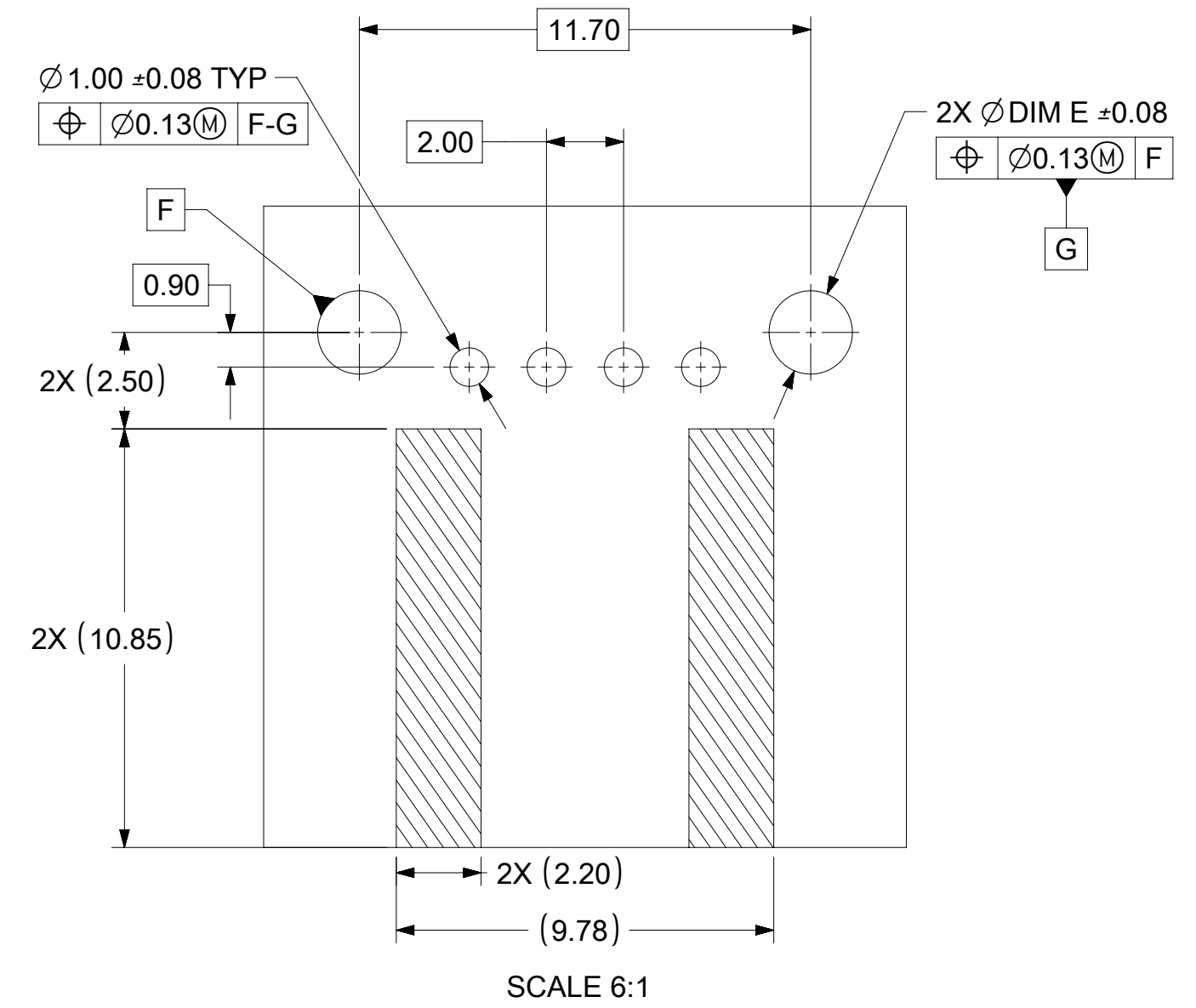
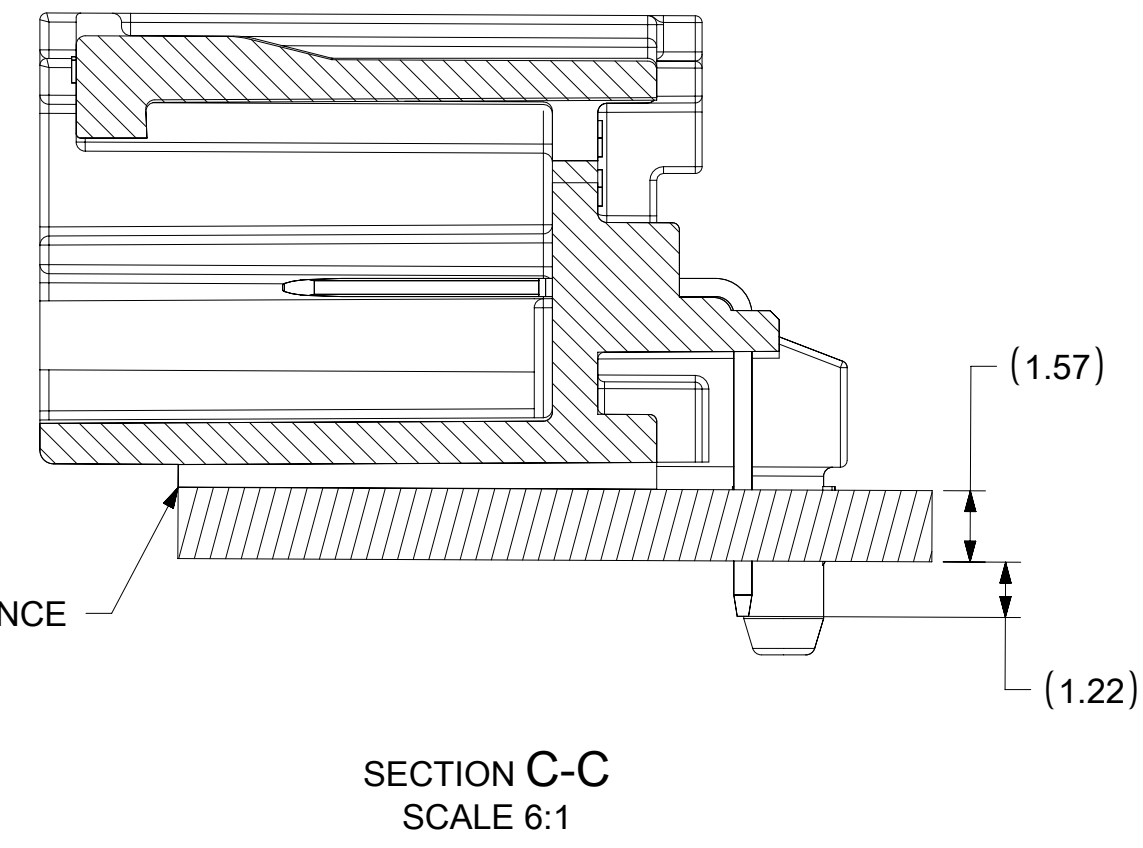
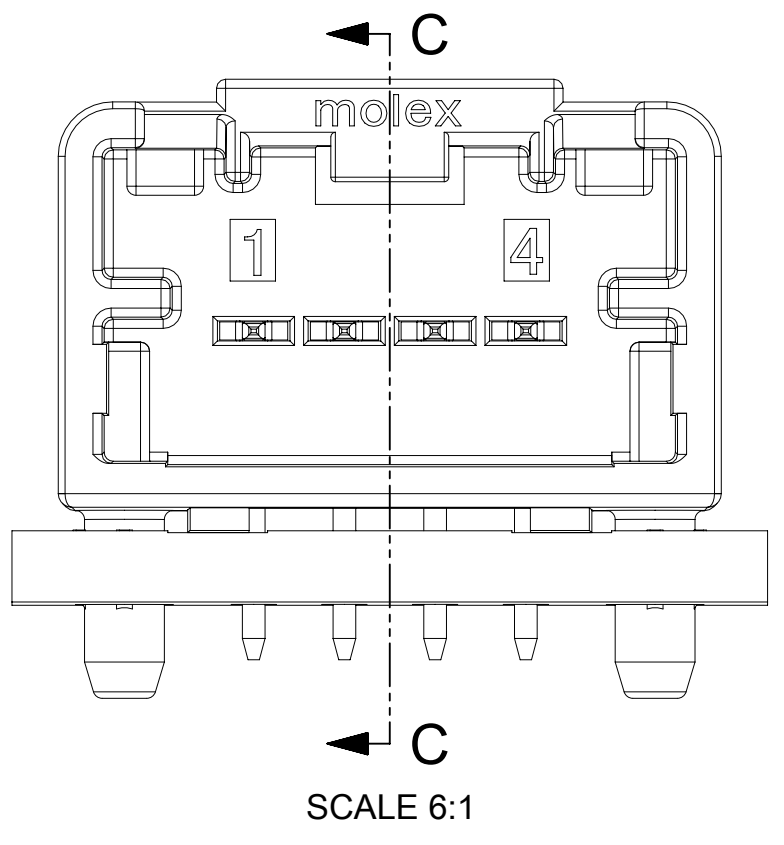


PCB LAYOUT

BOARD SHOWN FOR REFERENCE ONLY

POST HOLE TABLE

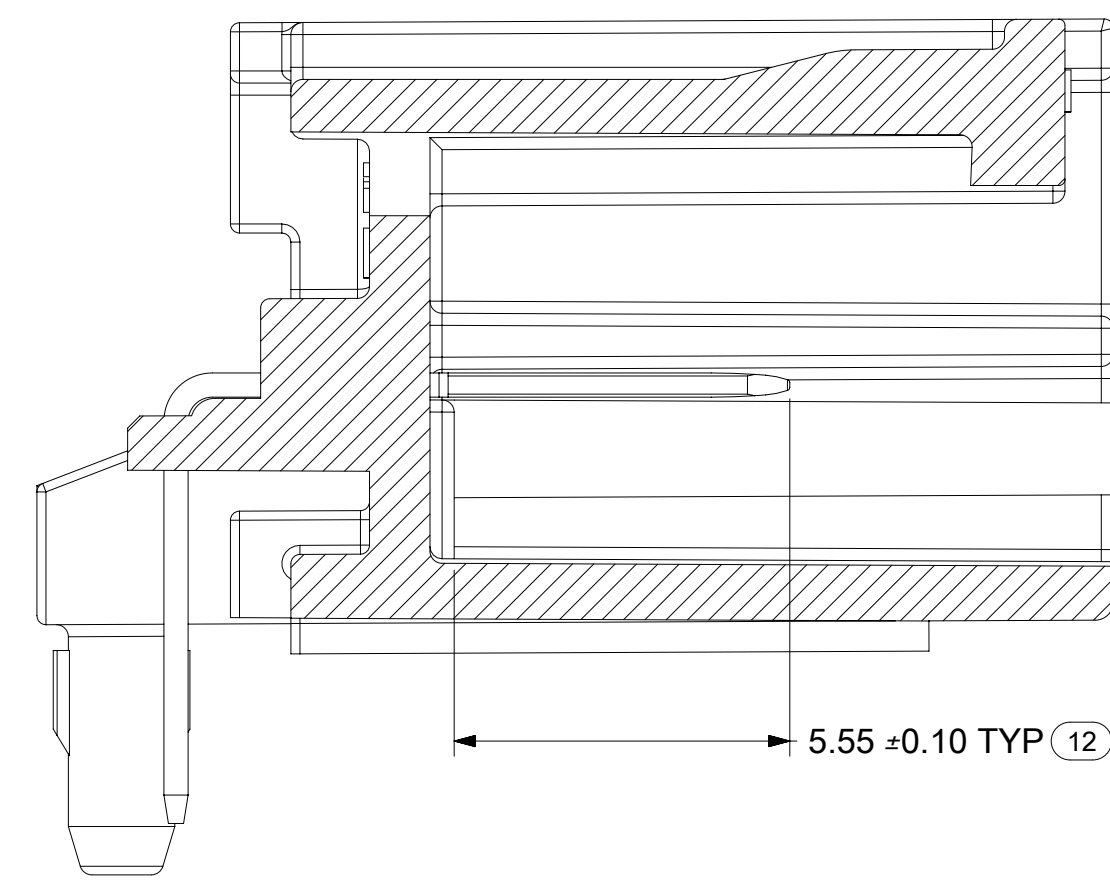
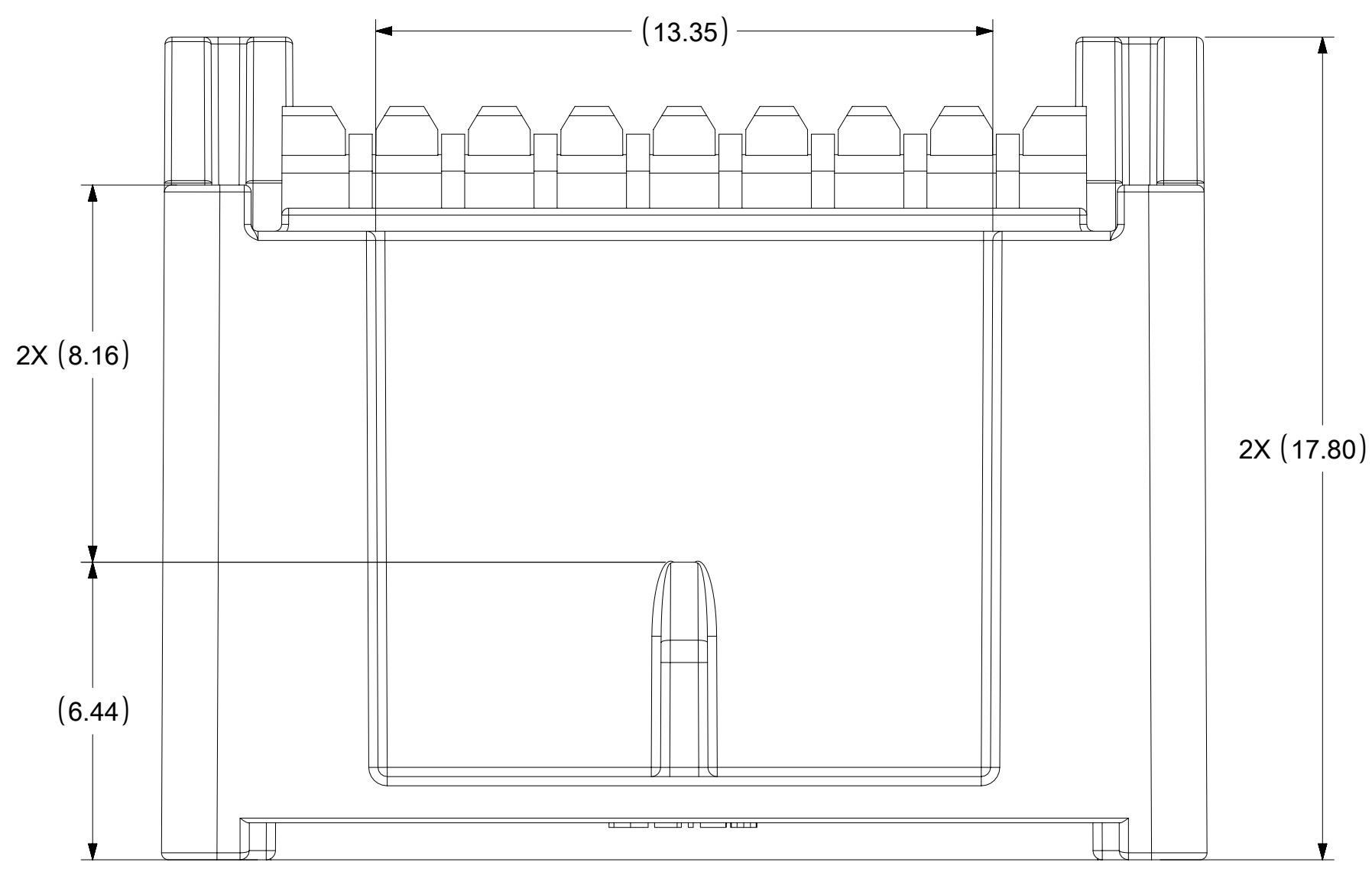
	DIM 'E'
PRESS FIT	2.15
DROP IN	2.55



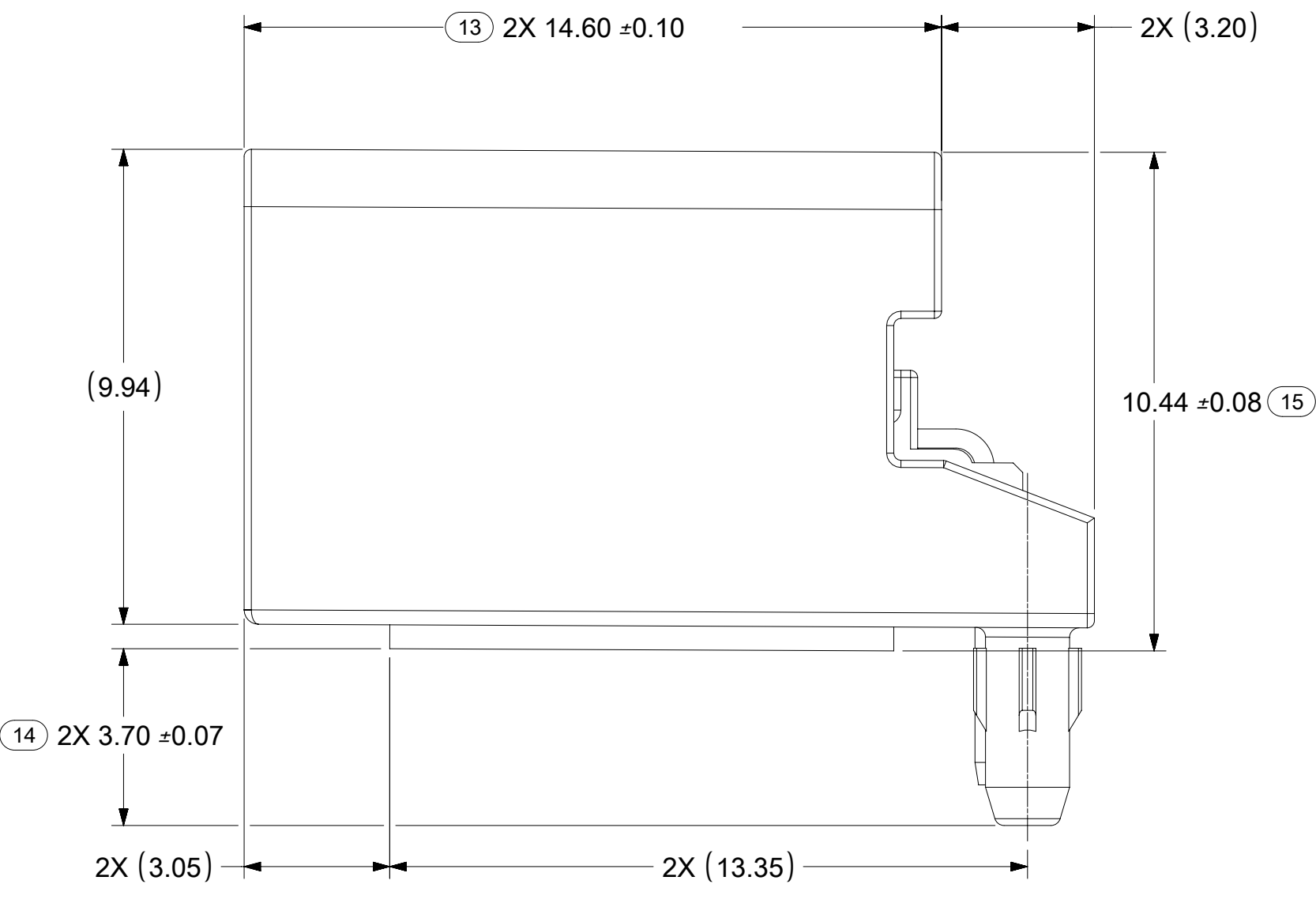
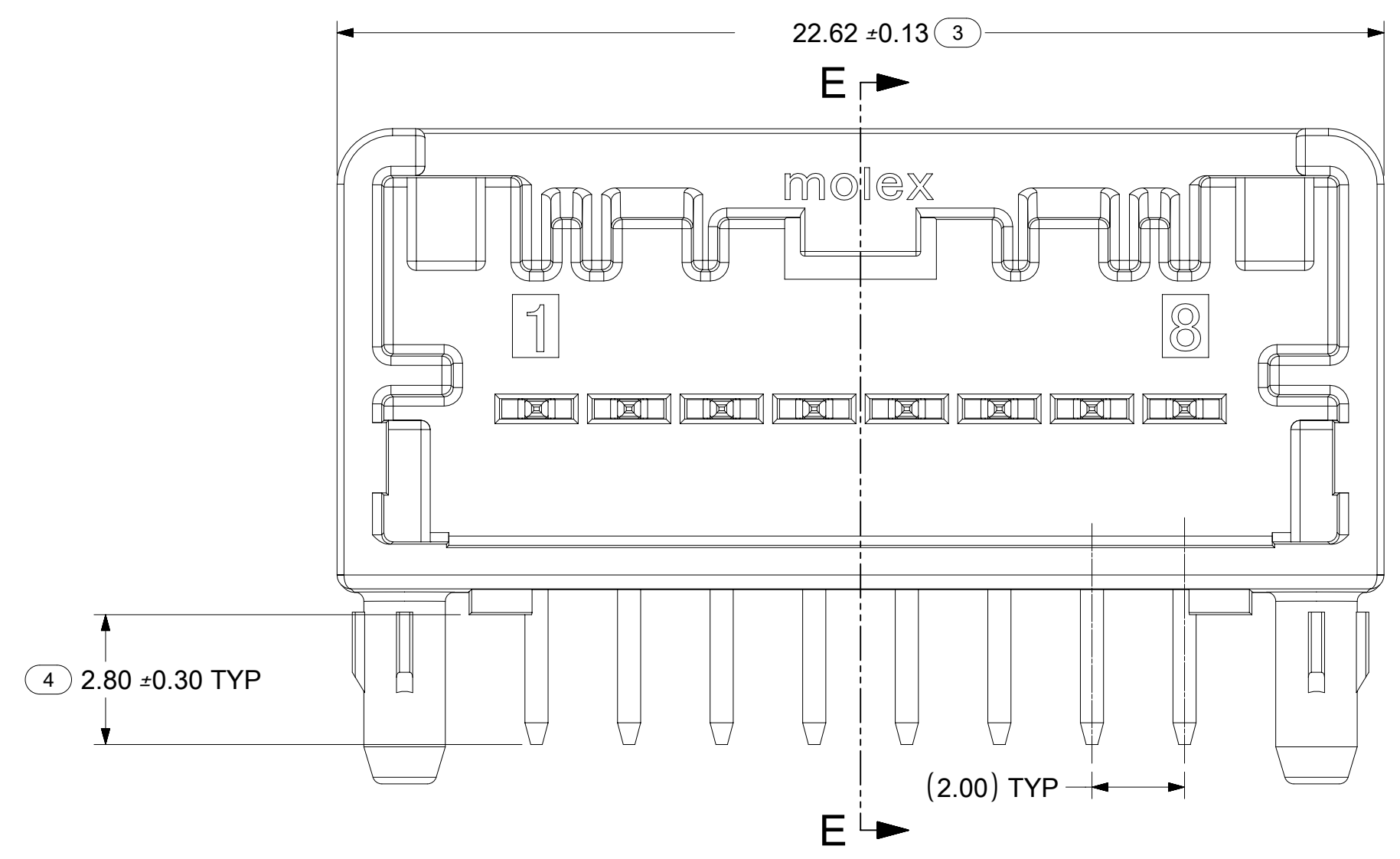
THIS DRAWING CONTAINS INFORMATION THAT IS PROPRIETARY TO MOLEX ELECTRONIC TECHNOLOGIES, LLC AND SHOULD NOT BE USED WITHOUT WRITTEN PERMISSION

DIMENSION UNITS	SCALE	CURRENT REV DESC:				
mm	8:1					
GENERAL TOLERANCES (UNLESS SPECIFIED)		EC NO: 638407		PRODUCT CUSTOMER DRAWING		
ANGULAR TOL	± °	DRWN: KHEWITT	2020/05/27	DOCUMENT NUMBER		
4 PLACES	±	CHK'D: SRUSS	2020/05/27	DOC TYPE		
3 PLACES	±	APPR: JDUNAJ	2020/05/28	DOC PART		
2 PLACES	± 0.1	INITIAL REVISION:		REVISION		
1 PLACE	± 0.2	DRWN: TMACHUGA	2011/11/15	SD-34793-001		
0 PLACES	±	APPR: SMARCEAU	2011/11/21	PSD 001 F6		
DRAFT WHERE APPLICABLE MUST REMAIN WITHIN DIMENSIONS		THIRD ANGLE PROJECTION	DRAWING	SERIES	MATERIAL NUMBER	CUSTOMER
			D-SIZE	34793	GENERAL MARKET	
						SHEET NUMBER
						2 OF 3

8 CKT RIGHT ANGLE HEADER



SECTION E-E

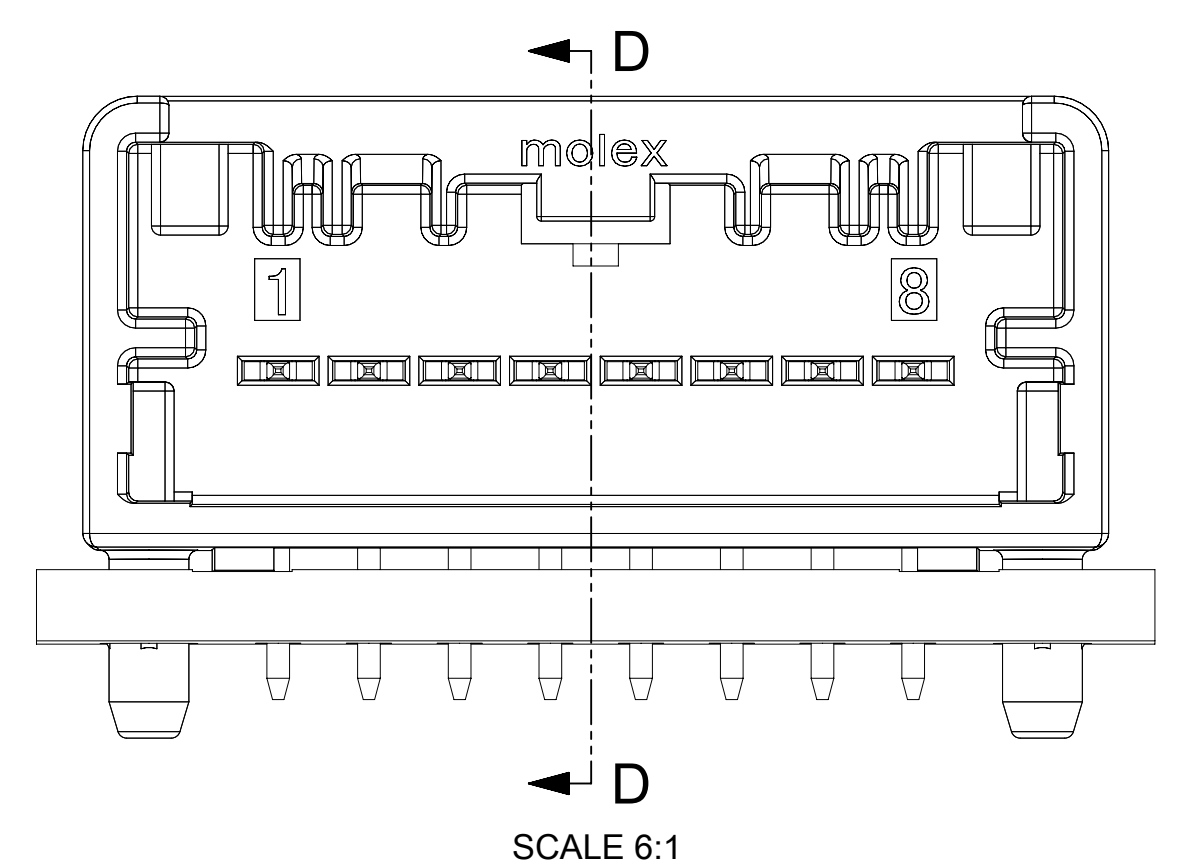


PCB LAYOUT

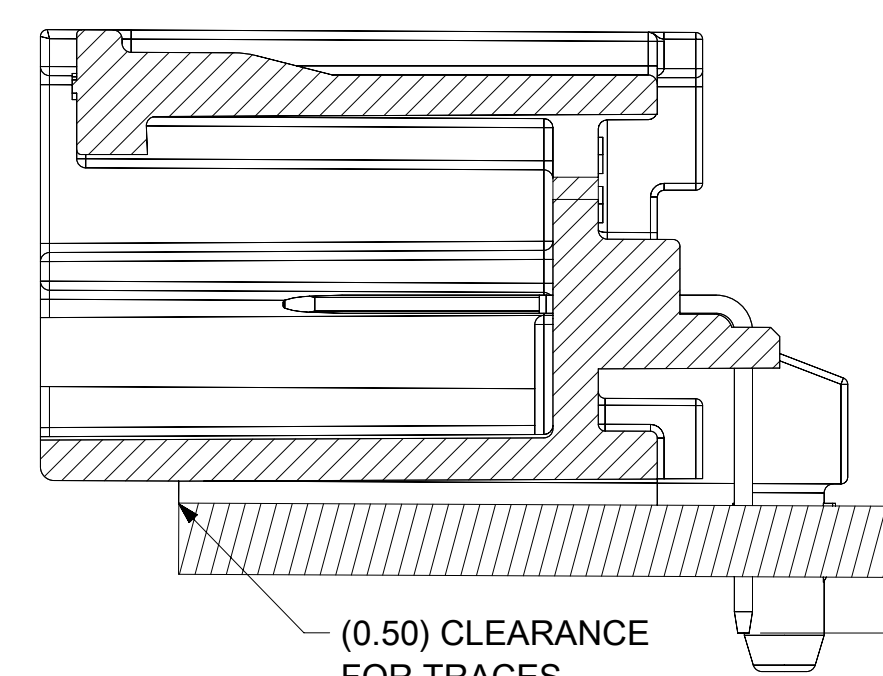
BOARD SHOWN FOR REFERENCE ONLY

POST HOLE TABLE

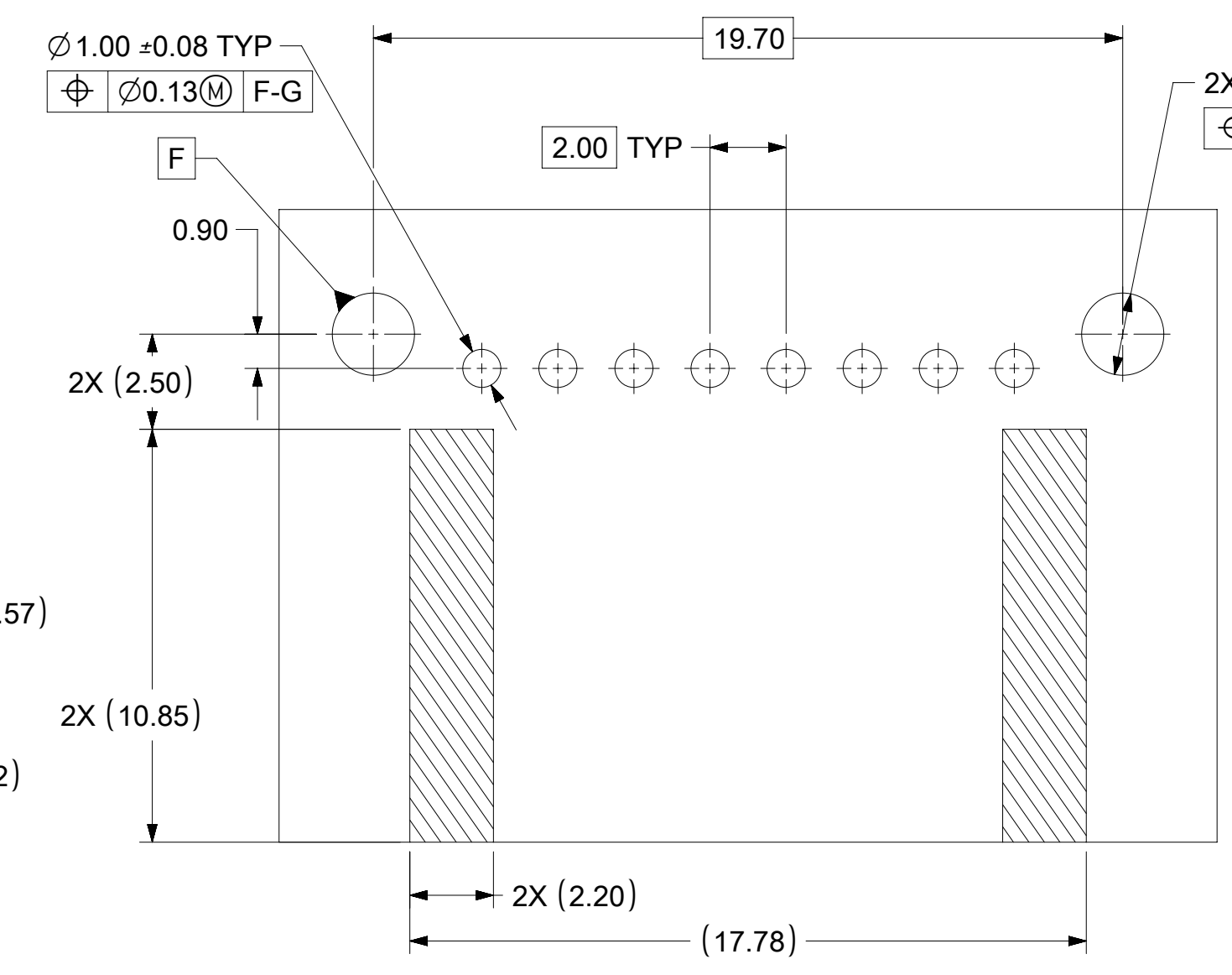
	DIM 'E'
PRESS FIT	2.15
DROP IN	2.55



SCALE 6:1



SECTION D-D
SCALE 6:1



SCALE 6:1

THIS DRAWING CONTAINS INFORMATION THAT IS PROPRIETARY TO MOLEX ELECTRONIC TECHNOLOGIES, LLC AND SHOULD NOT BE USED WITHOUT WRITTEN PERMISSION

DIMENSION UNITS	SCALE	CURRENT REV DESC:	
mm	8:1		
GENERAL TOLERANCES (UNLESS SPECIFIED)			
ANGULAR TOL	± °		
4 PLACES	±	EC NO: 638407	2020/05/27
3 PLACES	±	DRWN: KHEWITT	2020/05/27
2 PLACES	± 0.1	APP: JDUNAJ	2020/05/28
1 PLACE	± 0.2	INITIAL REVISION:	
0 PLACES	±	DRWN: TMACHUGA	2011/11/15
DRAFT WHERE APPLICABLE MUST REMAIN WITHIN DIMENSIONS		APP: SMARCEAU	2011/11/21
THIRD ANGLE PROJECTION	DRAWING	SERIES	MATERIAL NUMBER
	D-SIZE	34793	
		CUSTOMER	SHEET NUMBER
		GENERAL MARKET	3 OF 3

molex

MINI50 4 AND 8CKT R/A SALES DRAWING

PRODUCT CUSTOMER DRAWING

DOCUMENT NUMBER	DOC TYPE	DOC PART	REVISION
SD-34793-001	PSD	001	F6