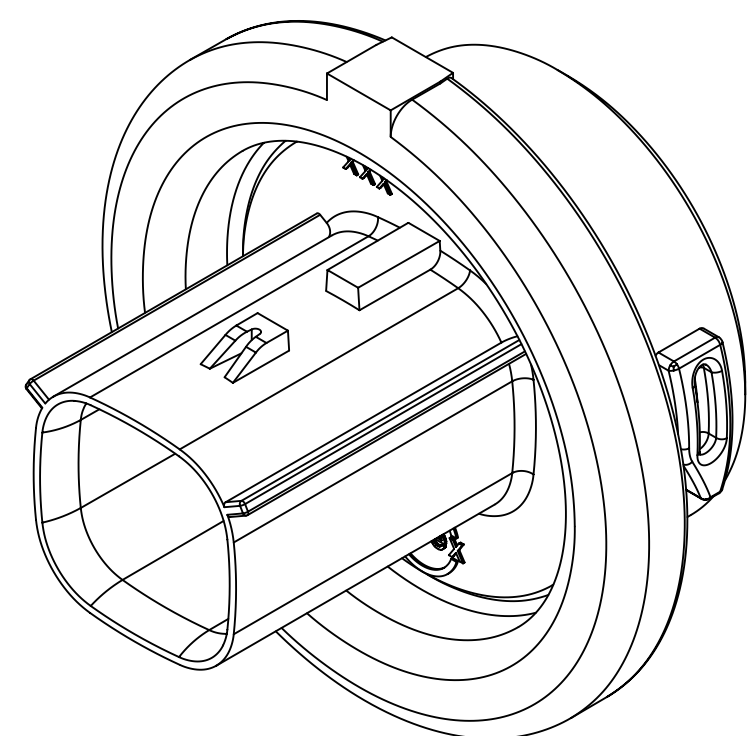
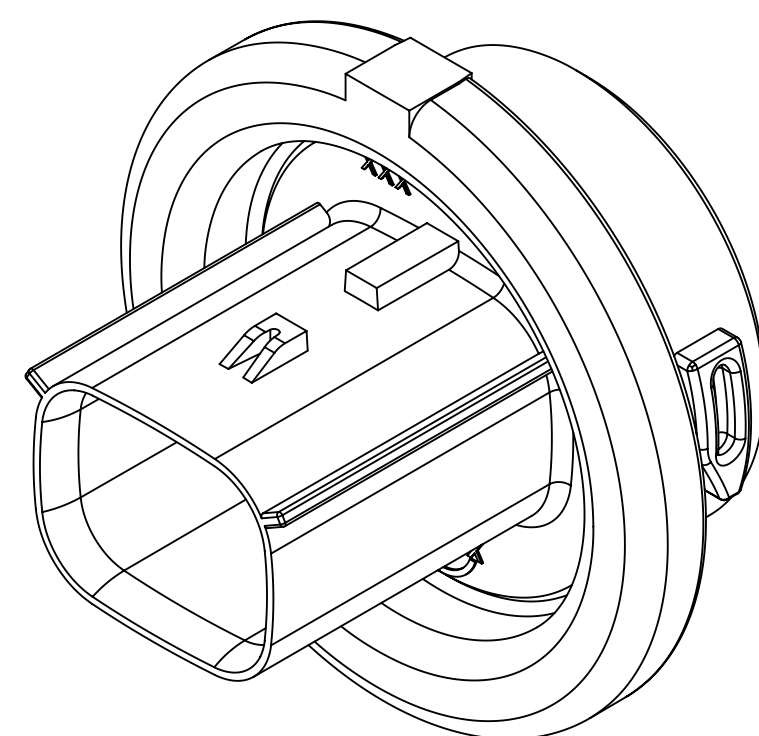


SHEET NO.	SHEET DESCRIPTION
1	NOTES
2	BOM SHEET 1
3	BOM SHEET 2
4	6/8 CKT KEY OPTION CONFIGURATIONS
5	12/16 CKT KEY OPTION CONFIGURATIONS
6	BULKHEAD CONNECTOR
7	6/8 CKT BULKHEAD CONNECTOR INTERFACE
8	6/8 CKT BULKHEAD CONNECTOR INTERFACE
9	12/16 CKT BULKHEAD CONNECTOR INTERFACE
10	12/16 CKT BULKHEAD CONNECTOR INTERFACE

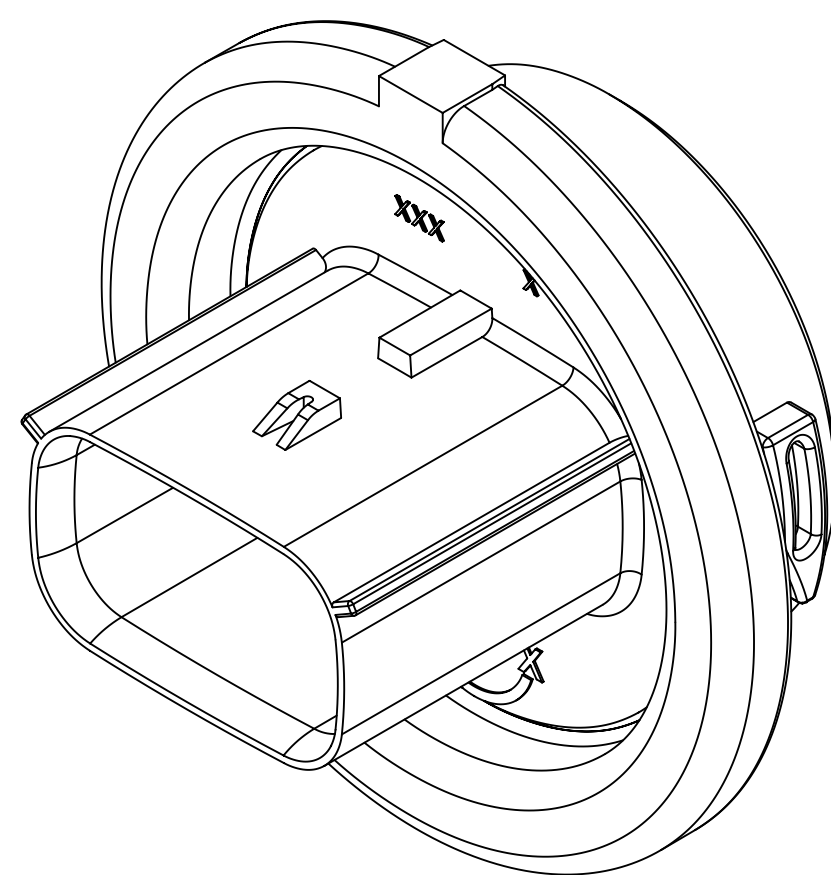
勝特力電材超市-龍山店 886-3-5773766
 勝特力電材超市-光復店 886-3-5729570
 勝特力电子(上海) 86-21-34970699
 勝特力电子(深圳) 86-755-83298787
<http://www.100y.com.tw>



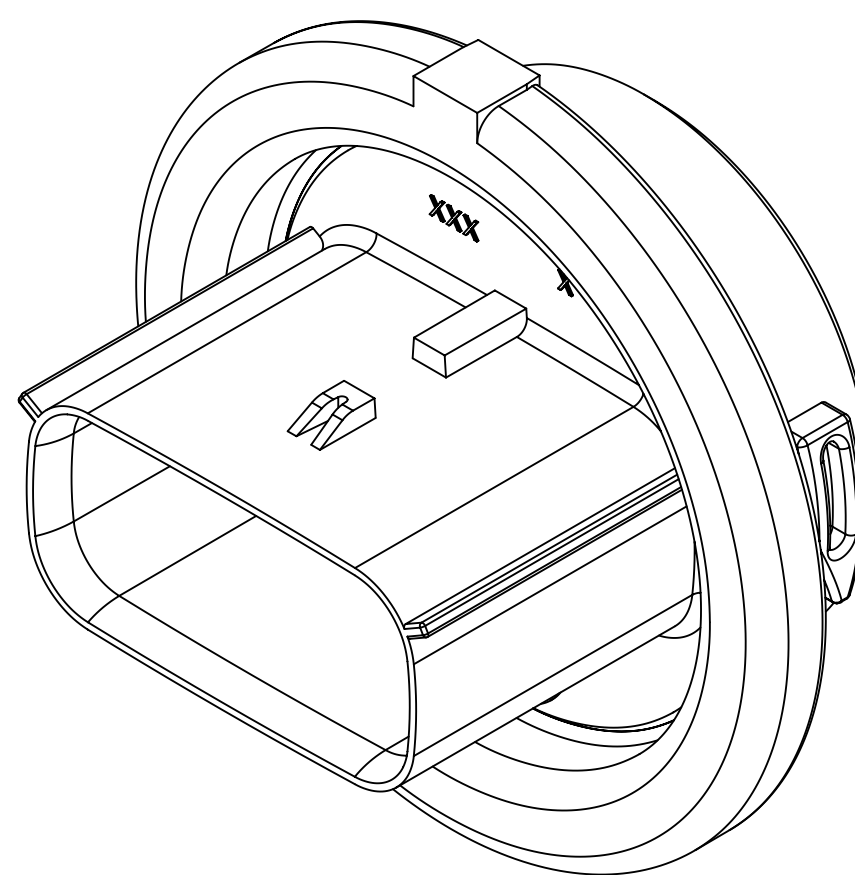
6 CIRCUIT



8 CIRCUIT



12 CIRCUIT



16 CIRCUIT

NOTES: VALID UNLESS OTHERWISE SPECIFIED

1. GENERAL:
 - a. APPLICATION SPECIFICATION SEE: AS-34840-001
 - CONTAINS: PRODUCT INTRODUCTION, PRODUCT SUMMARY, CONNECTOR ASSEMBLY, PACKAGING INFORMATION, CONNECTOR MATING, SERVICE INSTRUCTIONS, ELECTRICAL CONTINUITY CHECKING, CRIMPING, AND TROUBLESHOOTING.
 - DESIGNED TO MATE WITH RECEPTACLE HOUSING ASSEMBLY AS SPECIFIED IN DRAWING XXXX
 - FOR 1.5mm BLADE TERMINALS TO BE USED WITH THIS ASSEMBLY. SEE MOLEX DRAWING SD-33000-001.
 - SYSTEM TO BE USED WITH WIRE WITHIN DIAMETER RANGE OF TBD TO TBD.
 - ASSEMBLY SHIPPED WITH PLR IN PRE-LOCK POSITION (SEE SECTION A-A PRE-LOCK).
 - IN THE EVENT THAT THE PLR IS FOUND IN THE SEATED (FINAL LOCK) POSITION, REFER TO MOLEX SPECIFICATION PS-34646-001, AVAILABLE AT www.molex.com <<http://www.molex.com>>.
 - b. PRODUCT SPECIFICATION SEE: PS-34840-001
 - CONTAINS: PRODUCT INTRODUCTION, PRODUCT SUMMARY, RATINGS (CURRENT, TEMPERATURE, SEALING, AND FLAMMABILITY), AND PRODUCT VALIDATION.
 - c. PACKAGING SPECIFICATION PER MOLEX DRAWING: PK-31301-615
 - d. PARTS MUST BE IN COMPLIANCE TO MOLEX CHEMICAL SUBSTANCES FOR PRODUCTS AND PACKAGING SPECIFICATION: ES-40000-5016
 - e. DATA MUST BE SUBMITTED UNDER THE MOLEX PART NUMBER TO IMDS (COMPANY ID#13255)

2. DESIGN - MATERIALS:

- a. SEE BOM TABLE

3. DESIGN - GEOMETRY:

- a. THIS IS A 100% CAD GENERATED PART. THE CAD MATHEMATICAL DATA IS THE MASTER FOR THIS PART. FOR DIMENSIONAL OR ANY INFORMATION NOT SHOWN ON THIS DRAWING, ANALYZE THE CAD MODEL.
- b. GEOMETRIC DIMENSIONS AND TOLERANCES PER ASME Y14.5M - 2009
- c. EDGES AND UNDIMENSIONED DETAILS PER ISO13715
- d. CORNERS SHOWN AS SHARP TO BE R 0.2 MAX.
- e. LETTERING SHALL BE 0.15 MAX RAISED IN 0.25 MAX RECESS PAD. THIS INCLUDES RECYCLING CODE, CAVITY ID, VENDOR IDENTIFICATION, AND CUSTOMER MATERIAL NUMBER.
- f. VISUAL DEFECTS SHALL MEET COSMETIC STANDARD PS-45499-002 (CLASS B) CAD MODEL.
- g. LASER MARKING:
 - PART NUMBER
 - DATE CODE: DDDYY
 - MANUFACTURING EQUIPMENT NUMBER

B7	ADDED NOTES FOR INTERFACE ON SHEET 7 AND SHEET 9
B6	-UPDATED LASER MARK INFORMATION IN NOTE 3g ON SHEET 1; -ADDED LASER MARK FORMAT INTO VIEW ON SHEET 6;
B5	UPDATED THE PRODUCTION TOOL STATUS IN BOM CHART ON SHEET 2 AND SHEET 3
B4	ADDED PART NUMBER OF UPDATED PLR
B3	UPDATED PART STATUS
B2	ADDED BASIC DIMENSION ON 6/8 CKT ICD
B1	UPDATED 12/16 CKT PART STATUS
B	ADDED NOTE 4
A	OK TO TOOL 6 & 8 CKT
4	ADDED 6/8 CKT PER CP11E UPDATES
3	UPDATED FORMAT
2	DESIGN RELEASE
1	QUOTE ONLY
REV	DESCRIPTION

INSPECTION BALLOON NUMBER LOG	
PER DRAWING REVISION: B6	
LAST BALLOON NUMBER USED: 30	
ADDED BALLOON NUMBERS:	
REMOVED BALLOON NUMBERS: NONE	

SYMBOLS		THIS DRAWING CONTAINS INFORMATION THAT IS PROPRIETARY TO MOLEX ELECTRONIC TECHNOLOGIES, LLC AND SHOULD NOT BE USED WITHOUT WRITTEN PERMISSION		CURRENT REV DESC:	
DIMENSION UNITS	SCALE				
= 0	mm	2:1			
= 0	GENERAL TOLERANCES (UNLESS SPECIFIED)				
= 0	ANGULAR TOL	± 3.0°			
= 0	4 PLACES	±			
= 0	3 PLACES	±			
= 0	2 PLACES	± 0.1			
= 0	1 PLACE	± 0.2			
= 0	0 PLACES	±			
= 0	DRAFT WHERE APPLICABLE MUST REMAIN WITHIN DIMENSIONS		THIRD ANGLE PROJECTION	DRAWING	SERIES
= 0				D-SIZE	34840

molex

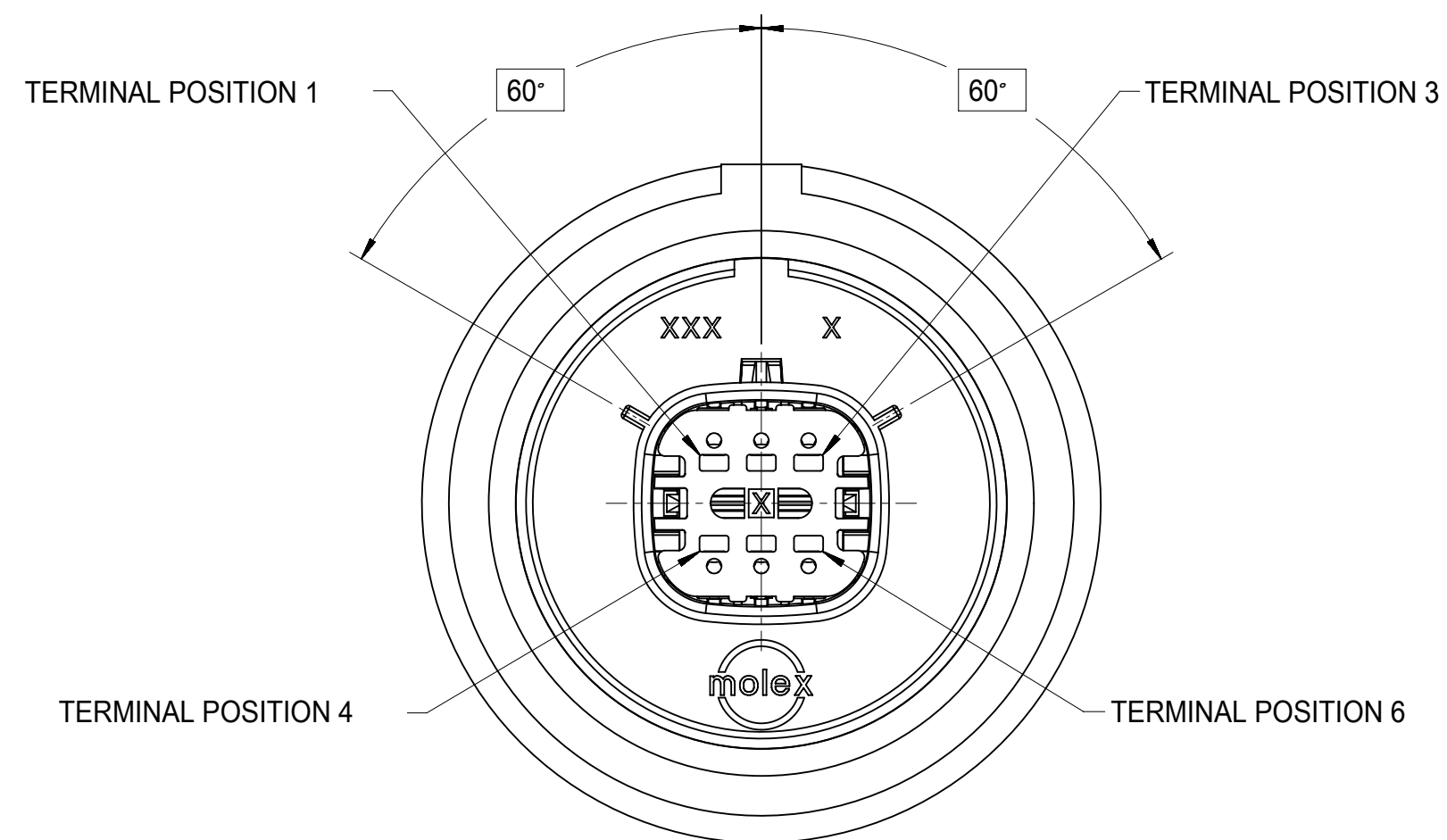
MX150 DUAL ROW
BULKHEAD TWIST-LOCK CONNECTOR ASSEMBLY

PRODUCT CUSTOMER DRAWING

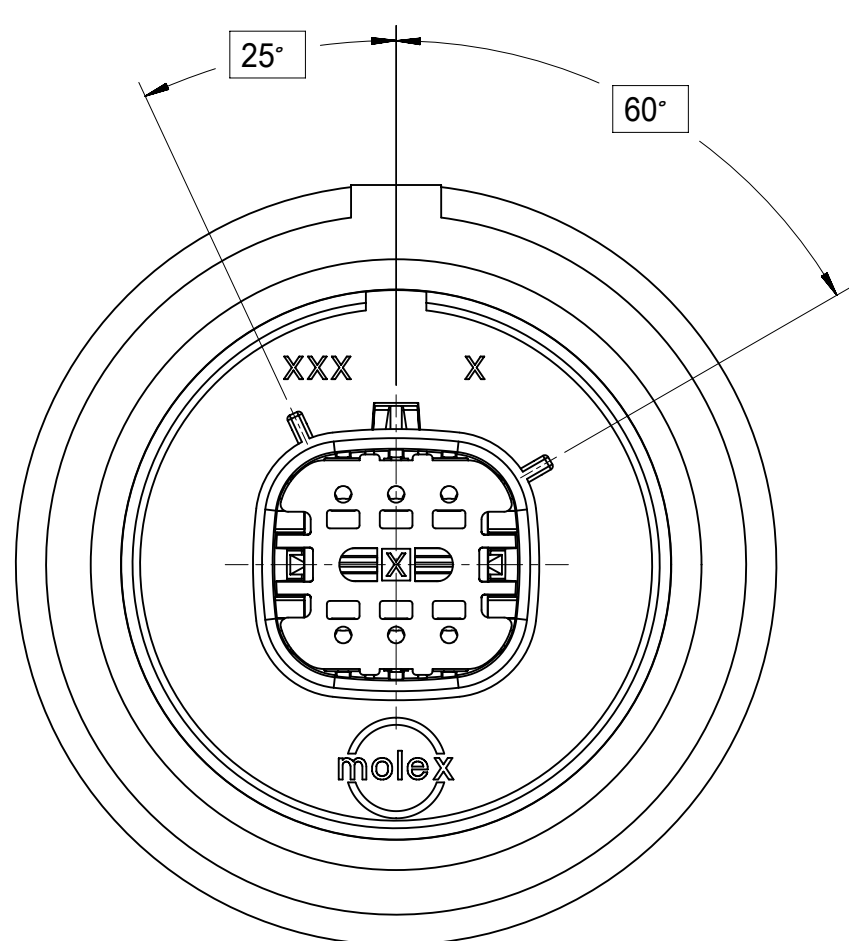
DOCUMENT NUMBER	DOC TYPE	DOC PART	REVISION
SD-34840-001	PSD	001	B7

MATERIAL NUMBER	CUSTOMER	SHEET NUMBER
SEE TABLE	GENERAL MARKET	1 OF 10

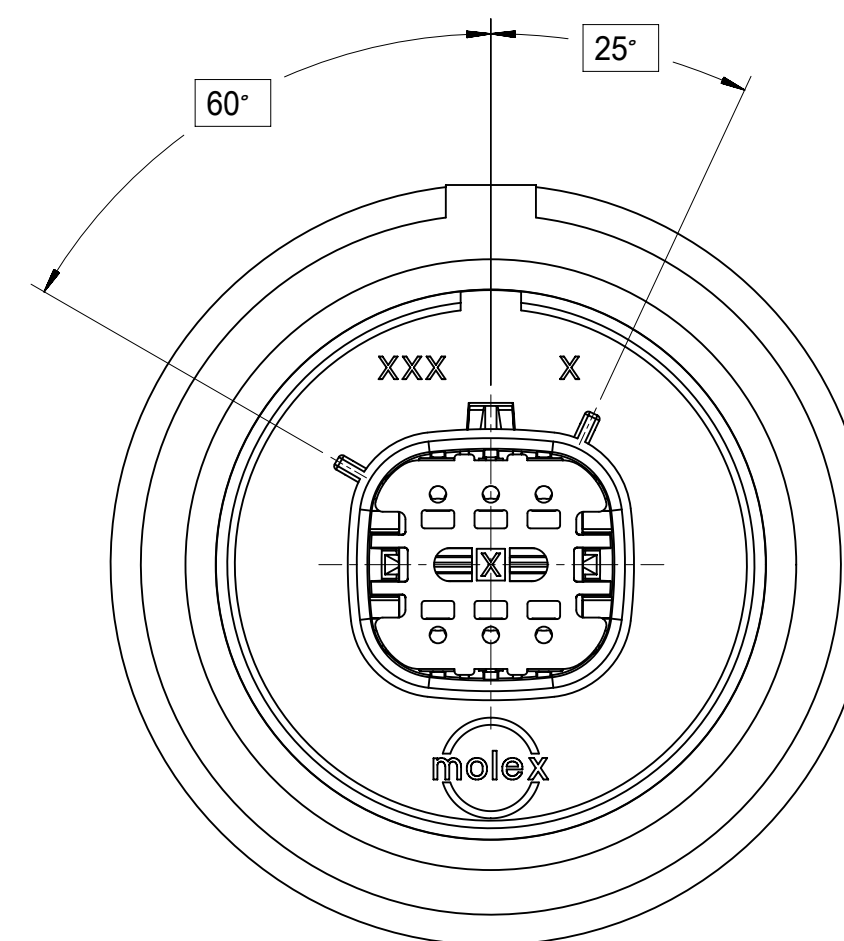
6/8 CKT KEY OPTION CONFIGURATIONS



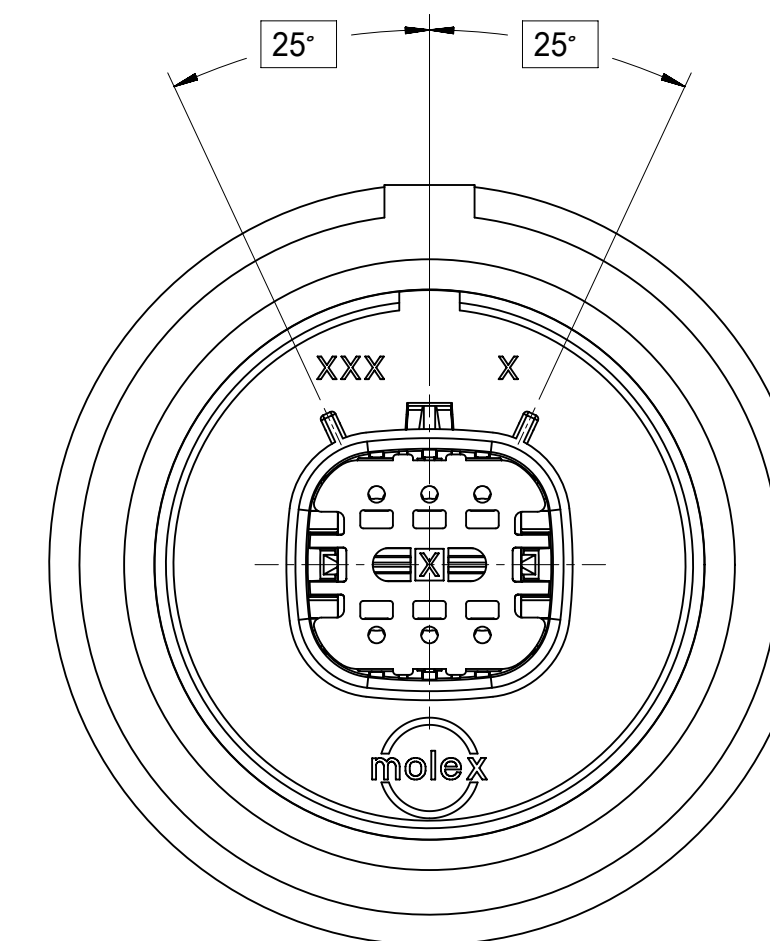
KEY OPTION A



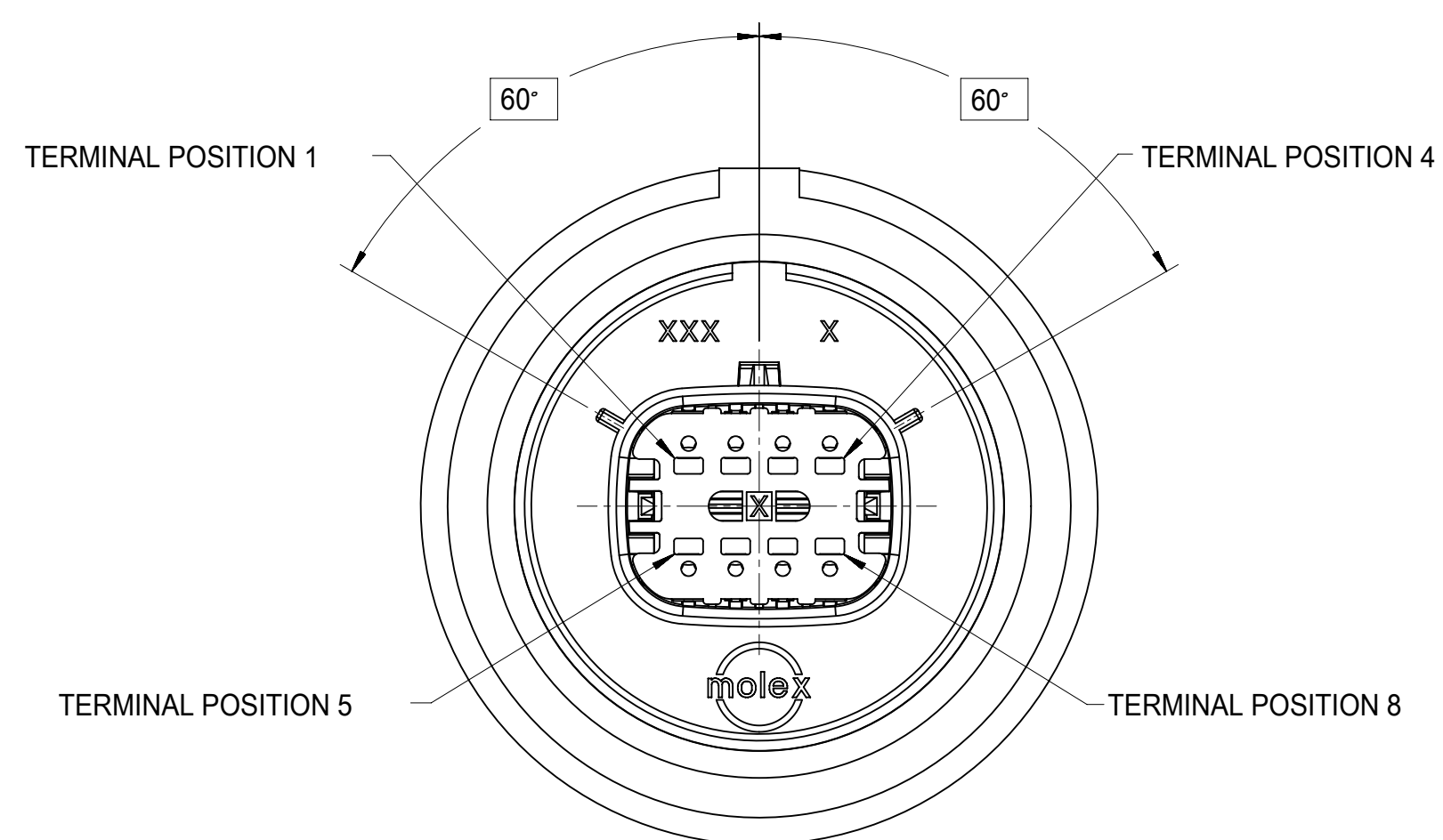
KEY OPTION B



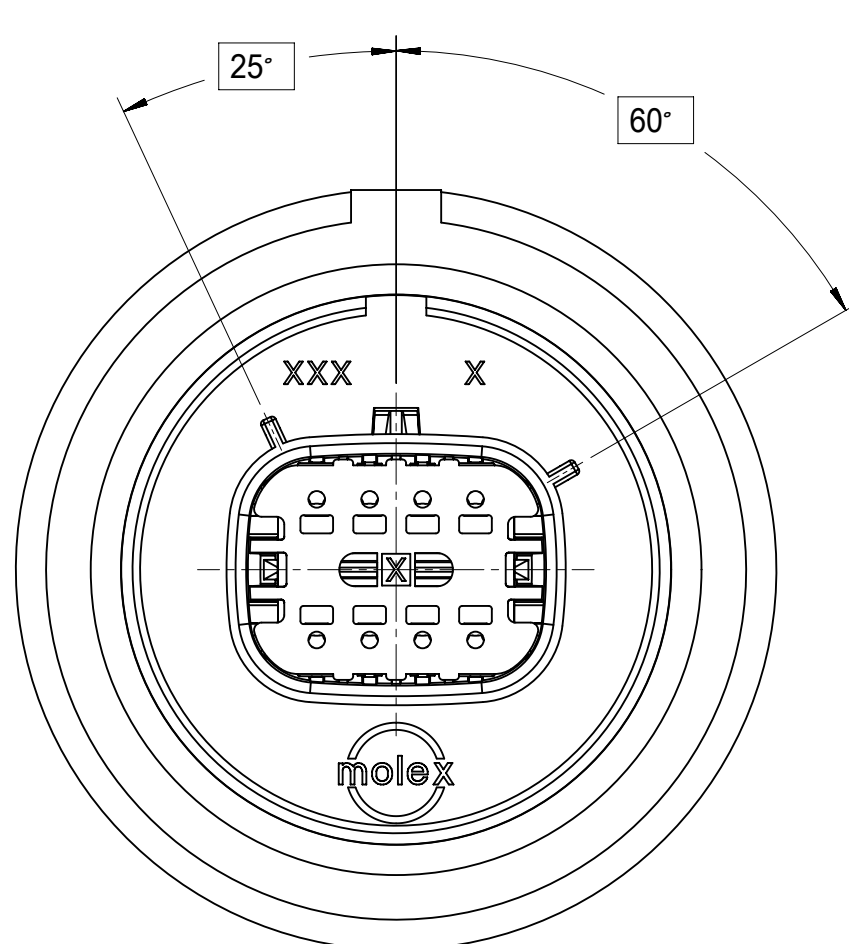
KEY OPTION C



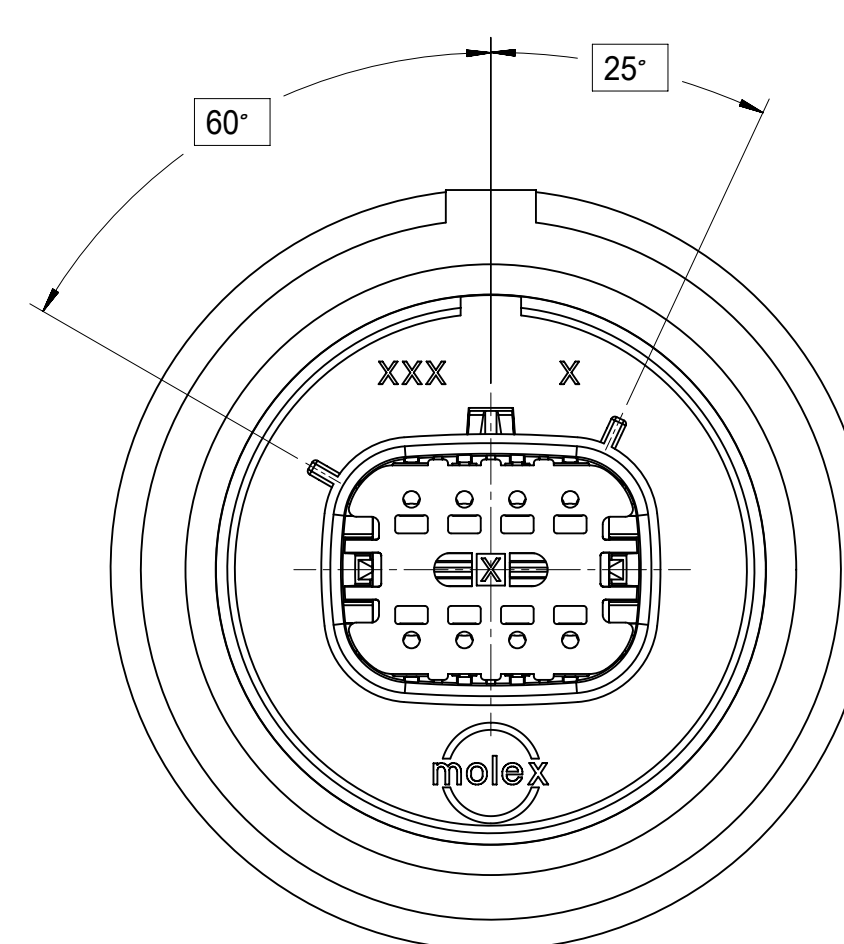
KEY OPTION D



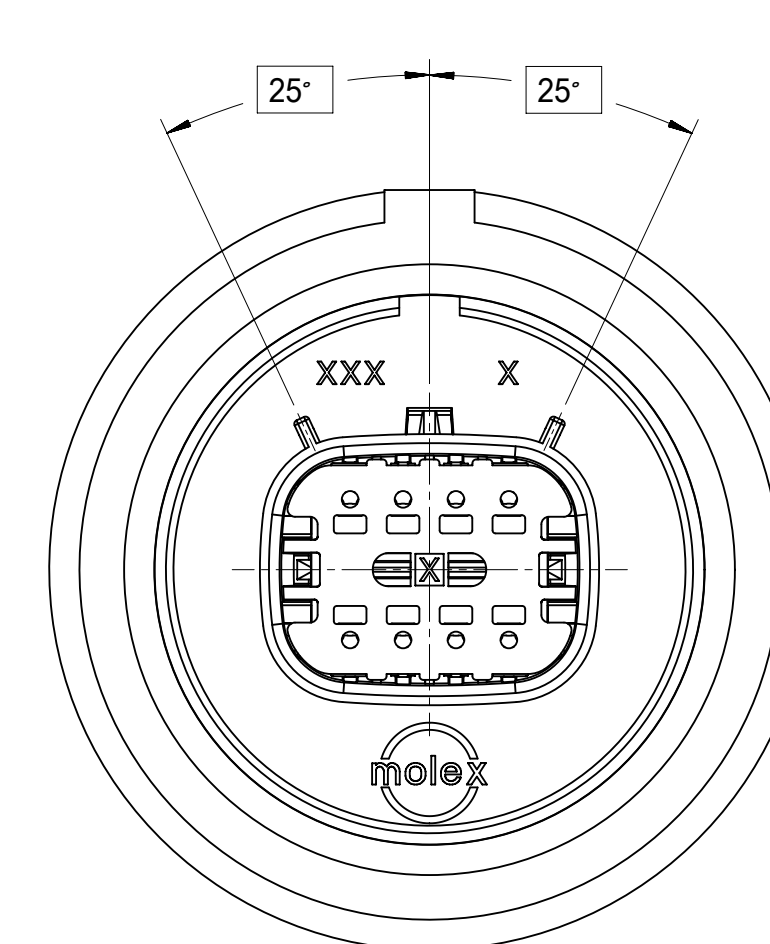
KEY OPTION A



KEY OPTION B

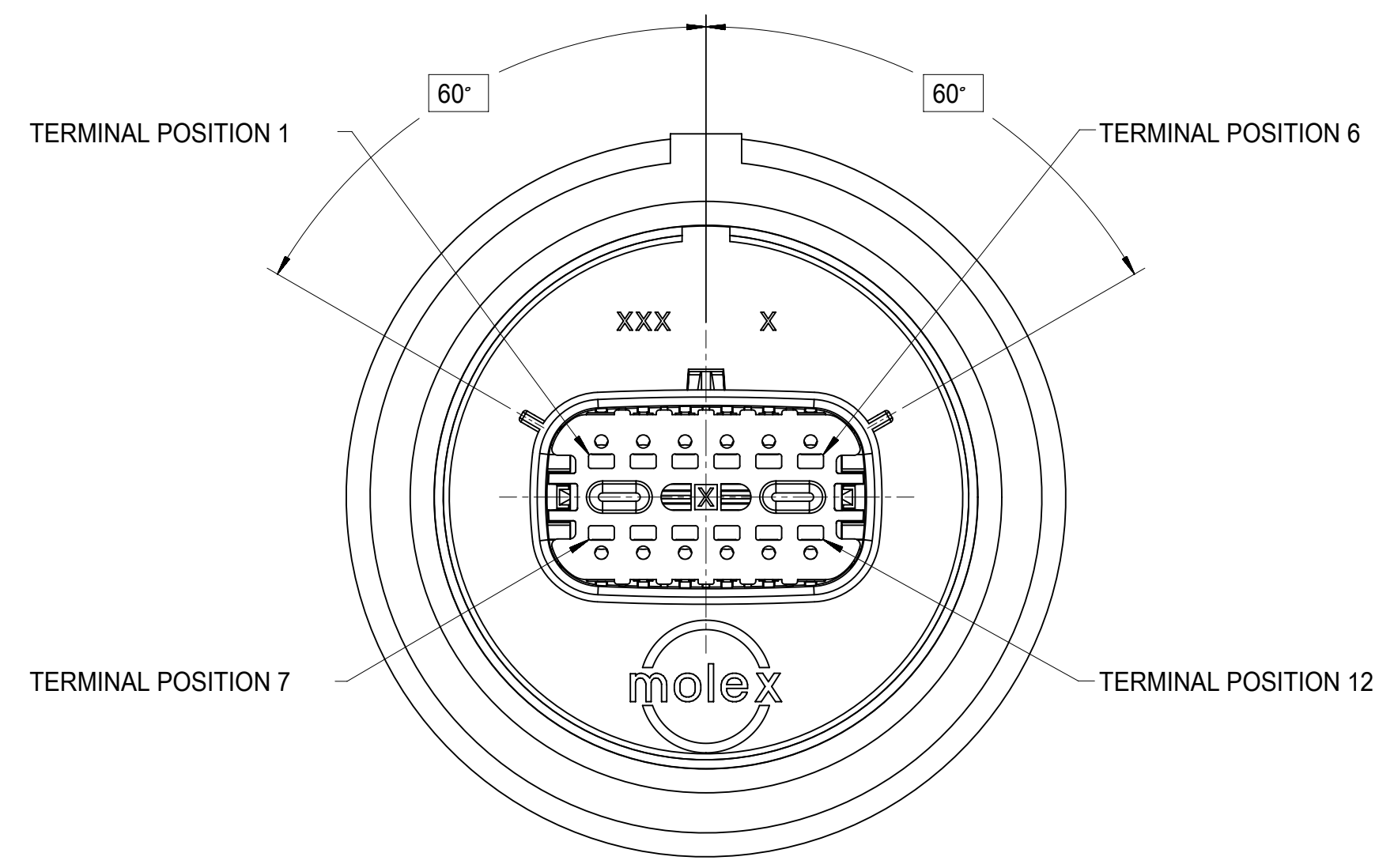


KEY OPTION C

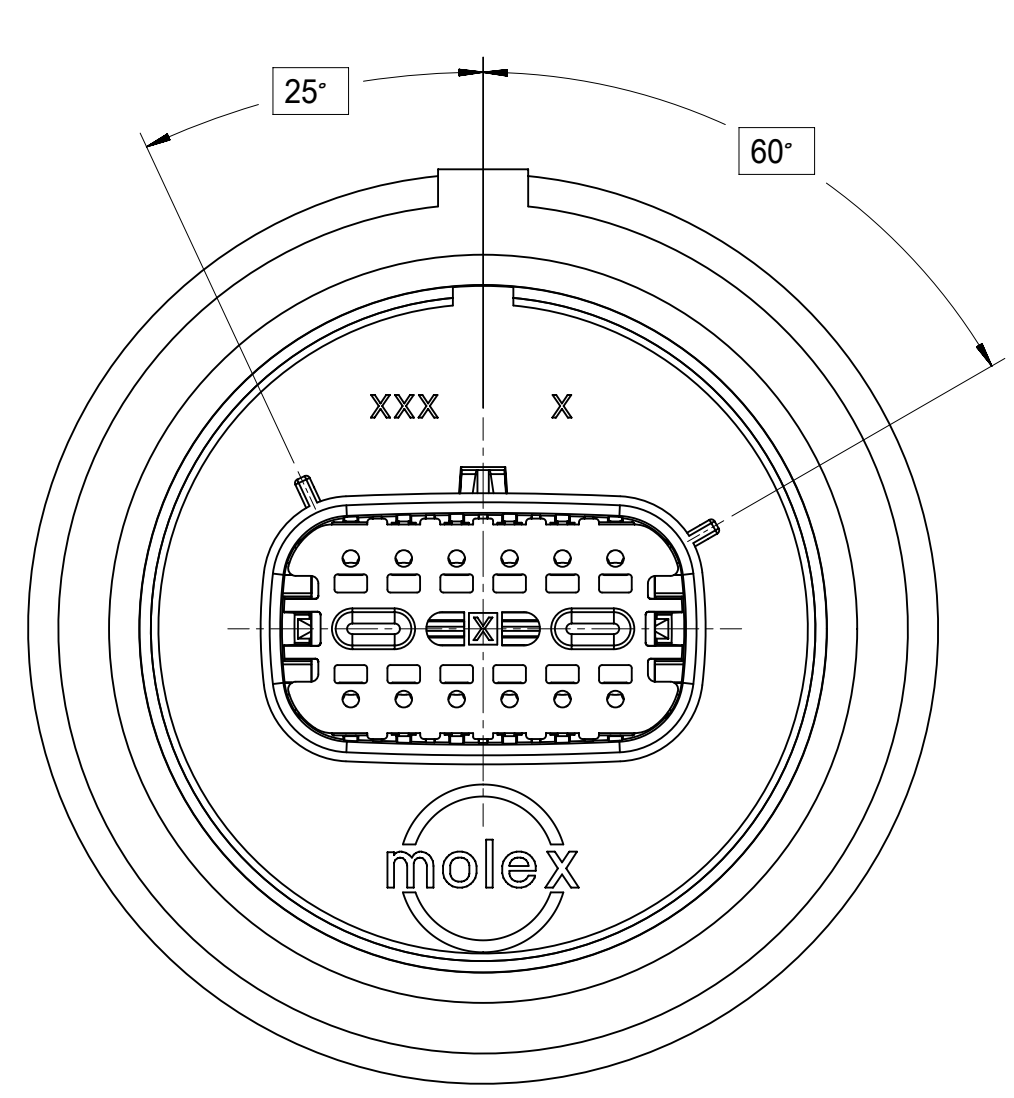


KEY OPTION D

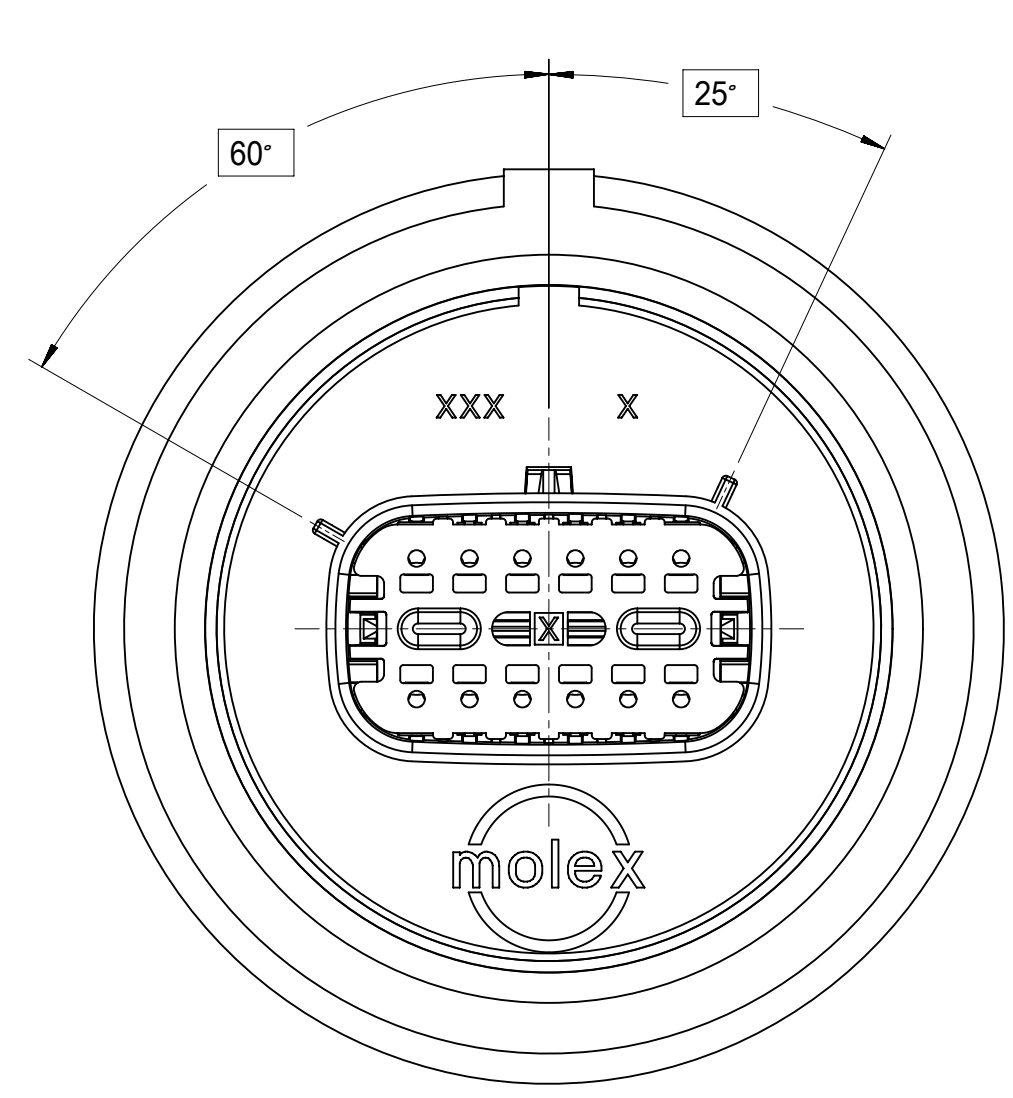
SYMBOLS	THIS DRAWING CONTAINS INFORMATION THAT IS PROPRIETARY TO MOLEX ELECTRONIC TECHNOLOGIES, LLC AND SHOULD NOT BE USED WITHOUT WRITTEN PERMISSION		
	DIMENSION UNITS	SCALE	CURRENT REV DESC:
▽ = 0	mm	2:1	EC NO: 625506 DRWN: WKHE 2019/10/11 CHK'D: JDENG02 2019/10/22 APPR: JDENG02 2019/10/22 INITIAL REVISION: DRWN: MVANSLAMBROU 2010/10/01 APPR: VKOSHY 2010/10/05
▽ = 0	GENERAL TOLERANCES (UNLESS SPECIFIED)		
▽ = 0	ANGULAR TOL ± 3.0°		
▽ = 0	4 PLACES	±	
▽ = 0	3 PLACES	±	
▽ = 0	2 PLACES	± 0.1	DRWN: MVANSLAMBROU 2010/10/01 APPR: VKOSHY 2010/10/05
▽ = 0	1 PLACE	± 0.2	
▽ = 0	0 PLACES	±	DRAFT WHERE APPLICABLE MUST REMAIN WITHIN DIMENSIONS
▽ = 0	THIRD ANGLE PROJECTION	DRAWING	SERIES
		D-SIZE	34840
DOCUMENT NUMBER		DOC TYPE	DOC PART
SD-34840-001		PSD	001
REVISION		B7	
MATERIAL NUMBER		CUSTOMER	SHEET NUMBER
SEE TABLE		GENERAL MARKET	4 OF 10



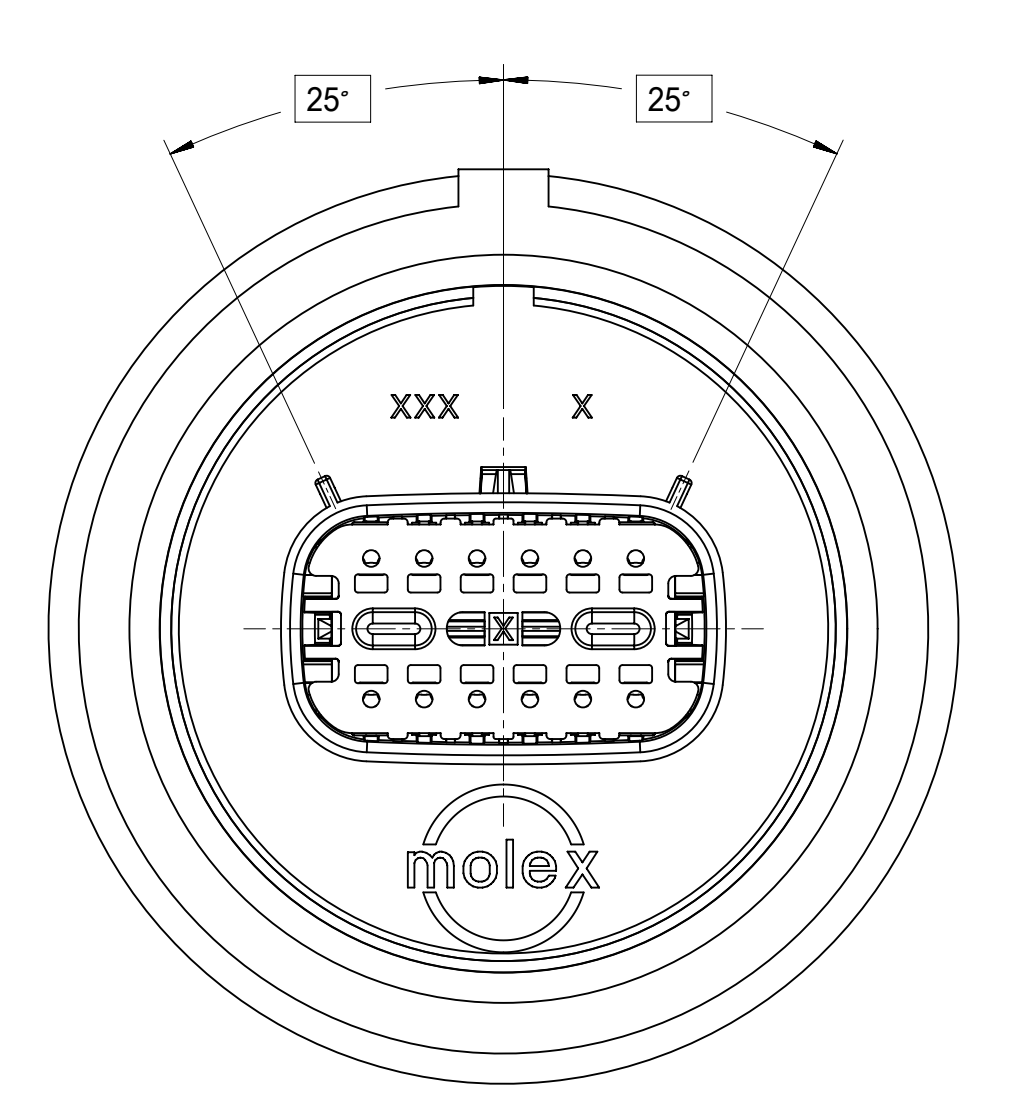
KEY OPTION A



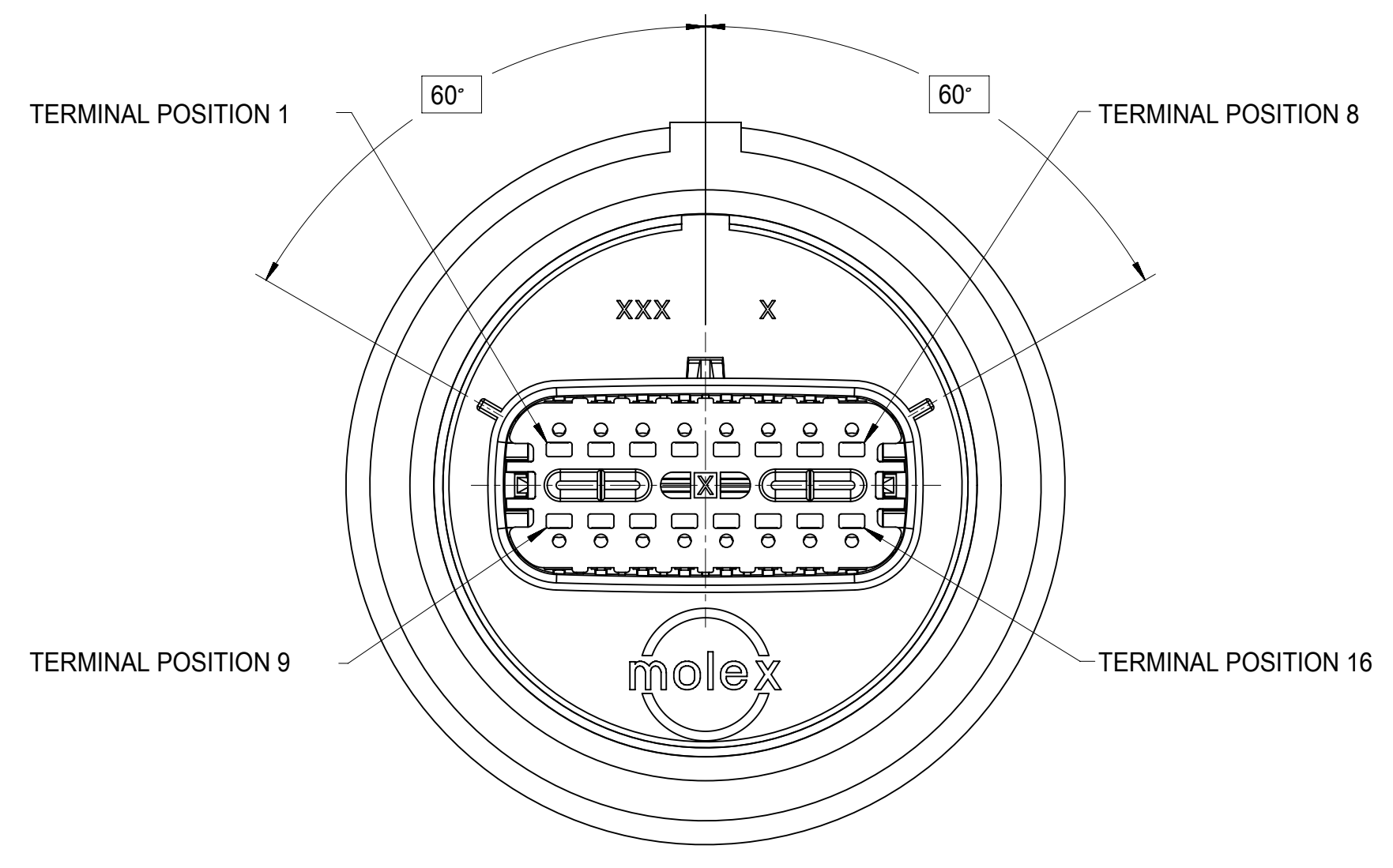
KEY OPTION B



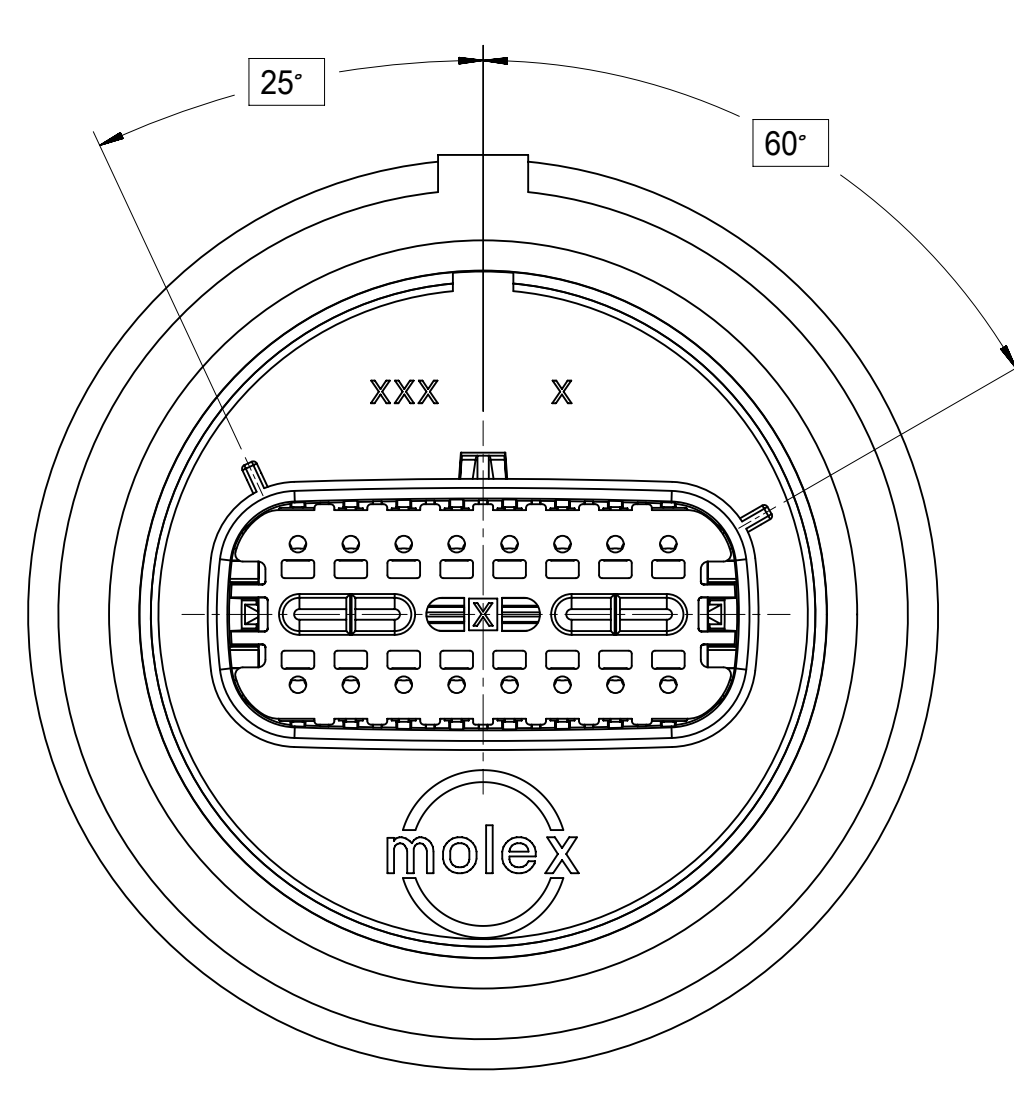
KEY OPTION C



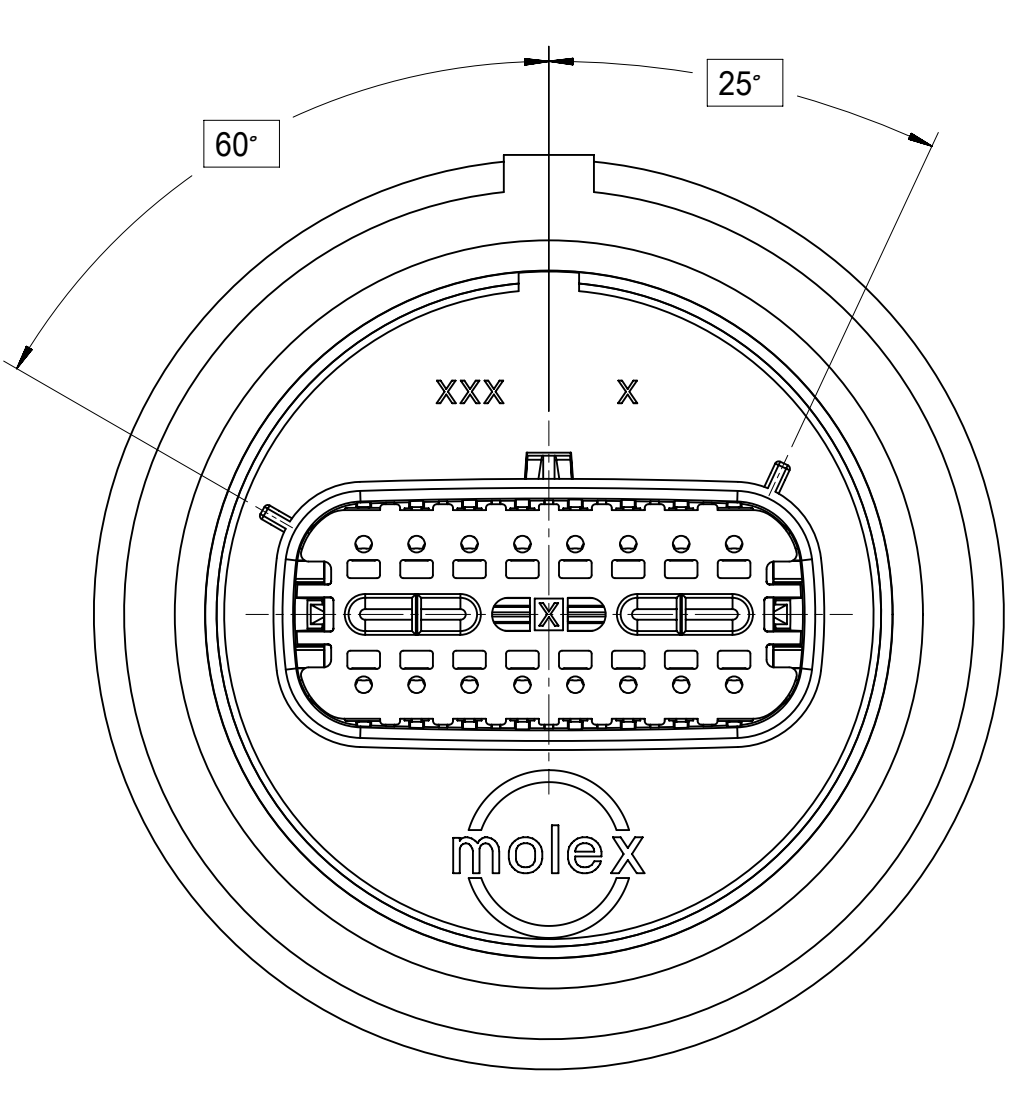
KEY OPTION D



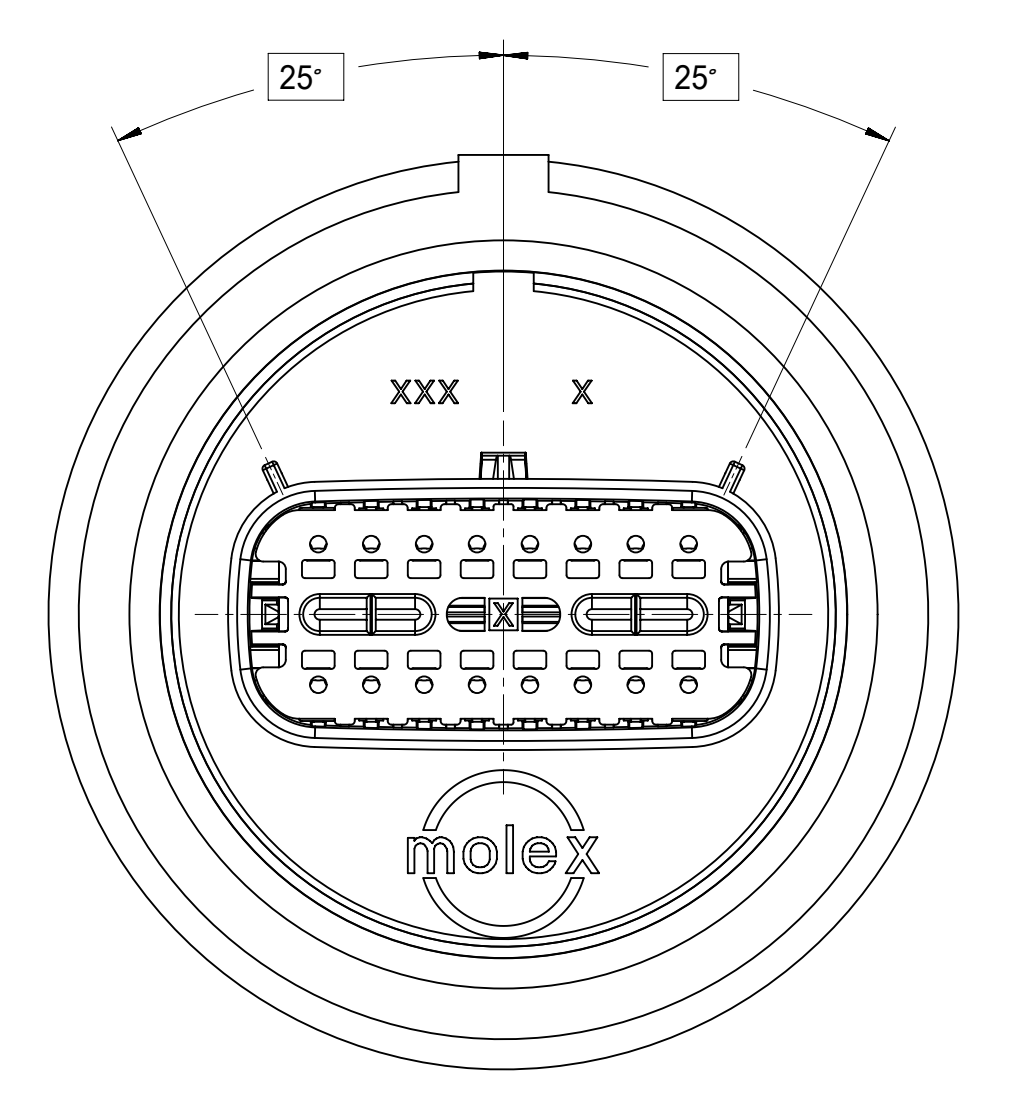
KEY OPTION A



KEY OPTION B



KEY OPTION C



KEY OPTION D

SYMBOLS	THIS DRAWING CONTAINS INFORMATION THAT IS PROPRIETARY TO MOLEX ELECTRONIC TECHNOLOGIES, LLC AND SHOULD NOT BE USED WITHOUT WRITTEN PERMISSION		
	DIMENSION UNITS	SCALE	CURRENT REV DESC:
▽ = 0	mm	2:1	EC NO: 625506 DRWN: WKHE 2019/10/11 CHK'D: JDENG02 2019/10/22 APPR: JDENG02 2019/10/22 INITIAL REVISION: DRWN: MVANSLAMBROU 2010/10/01 2010/10/05 APPR: VKOSHY DRAFT WHERE APPLICABLE MUST REMAIN WITHIN DIMENSIONS
▽ = 0	GENERAL TOLERANCES (UNLESS SPECIFIED)		
▽ = 0	ANGULAR TOL ± 3.0°		
▽ = 0	4 PLACES	±	
▽ = 0	3 PLACES	±	
▽ = 0	2 PLACES	± 0.1	
▽ = 0	1 PLACE	± 0.2	
▽ = 0	0 PLACES	±	
□ = 0	THIRD ANGLE PROJECTION		DRWING SERIES D-SIZE 34840
▽ = 0			MATERIAL NUMBER CUSTOMER SHEET NUMBER SEE TABLE GENERAL MARKET 5 OF 10

molex

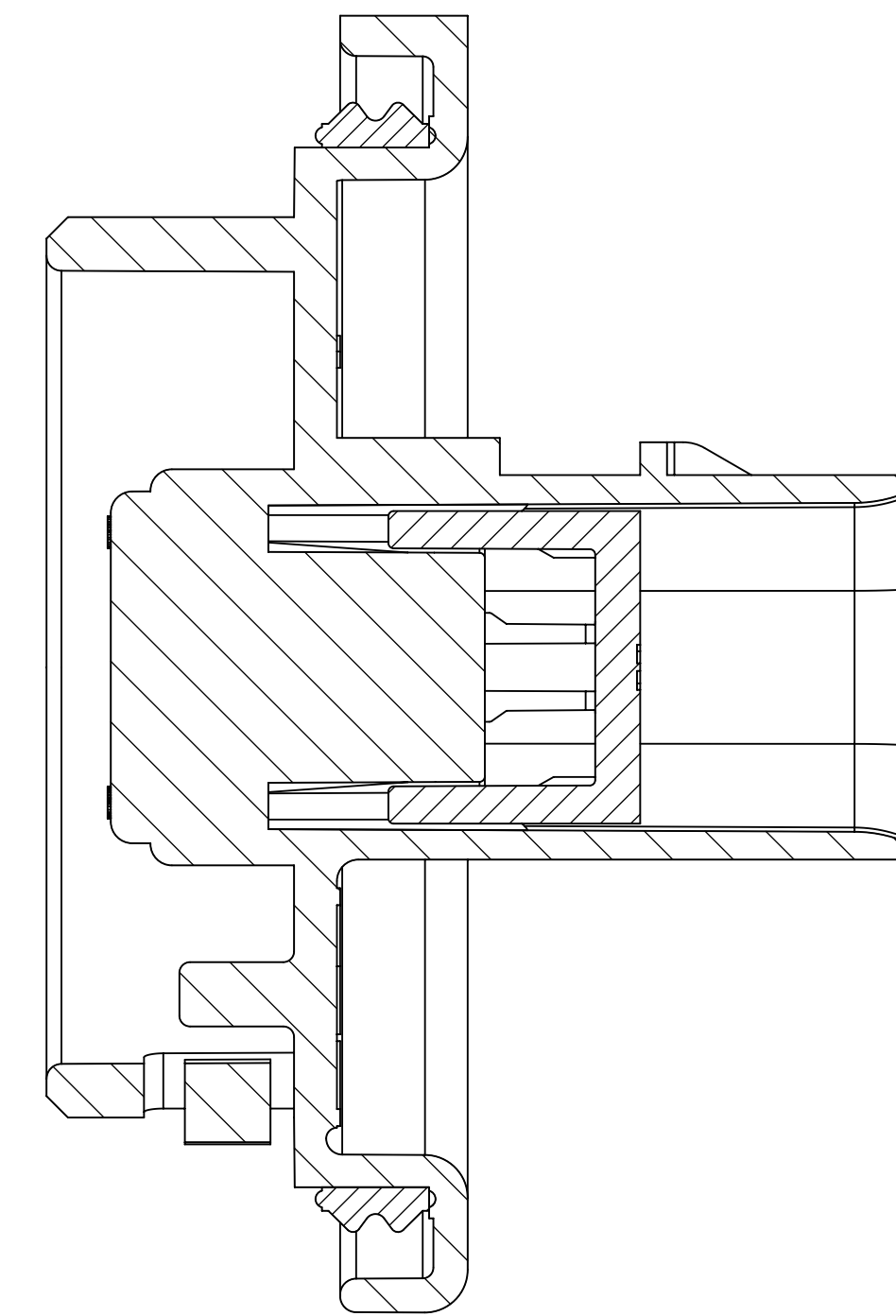
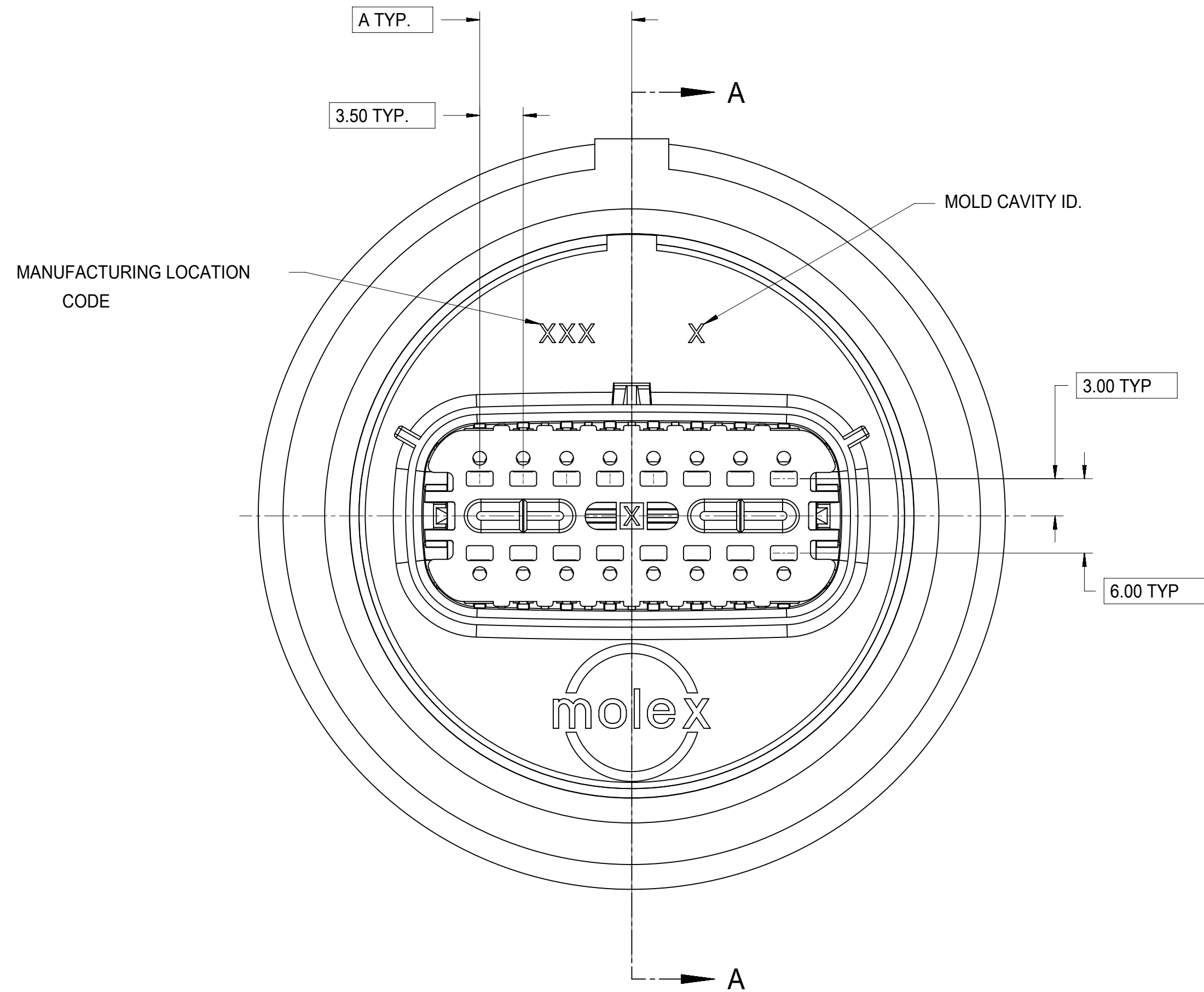
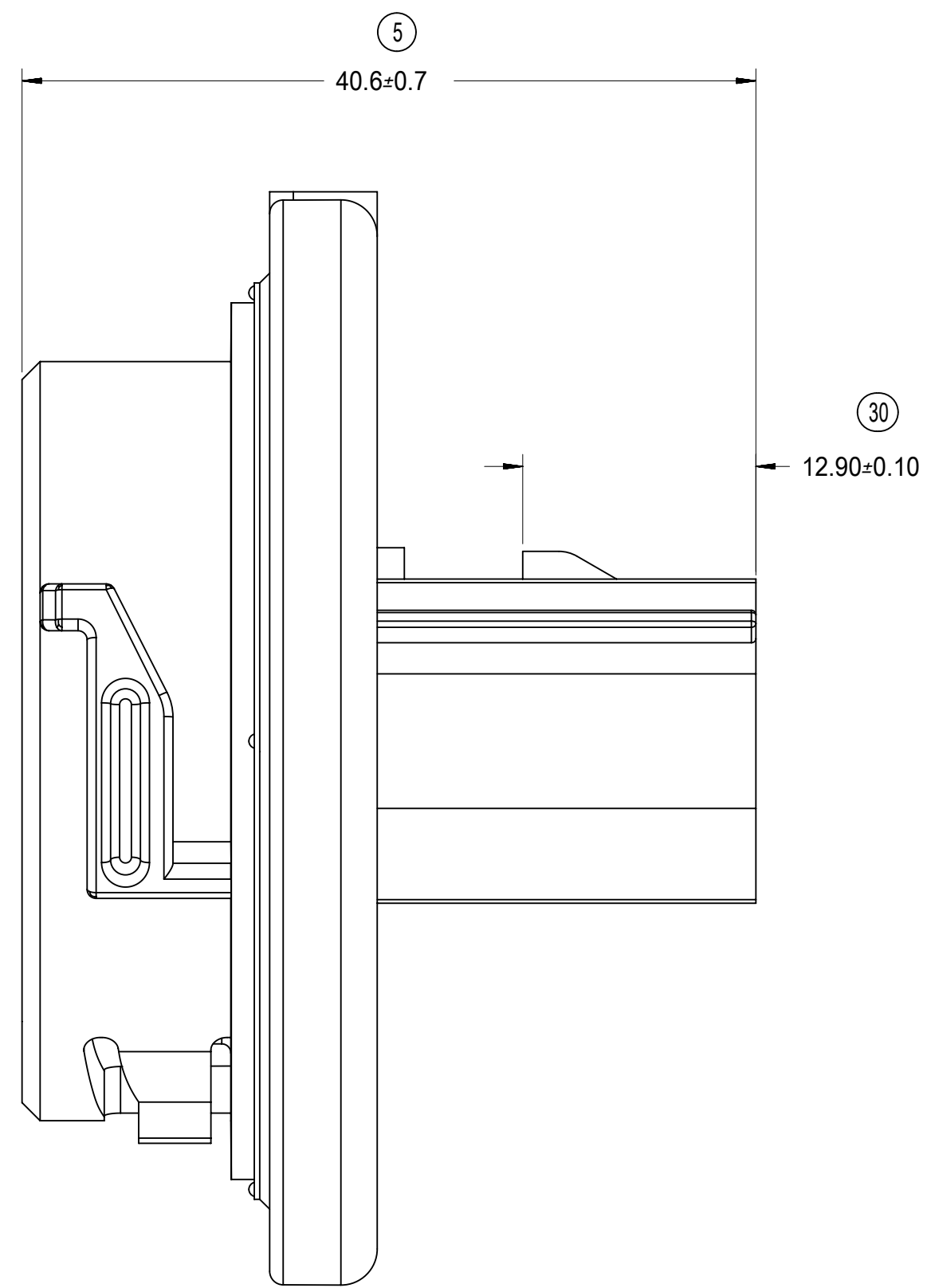
MX150 DUAL ROW
BULKHEAD TWIST-LOCK CONNECTOR ASSEMBLY

PRODUCT CUSTOMER DRAWING

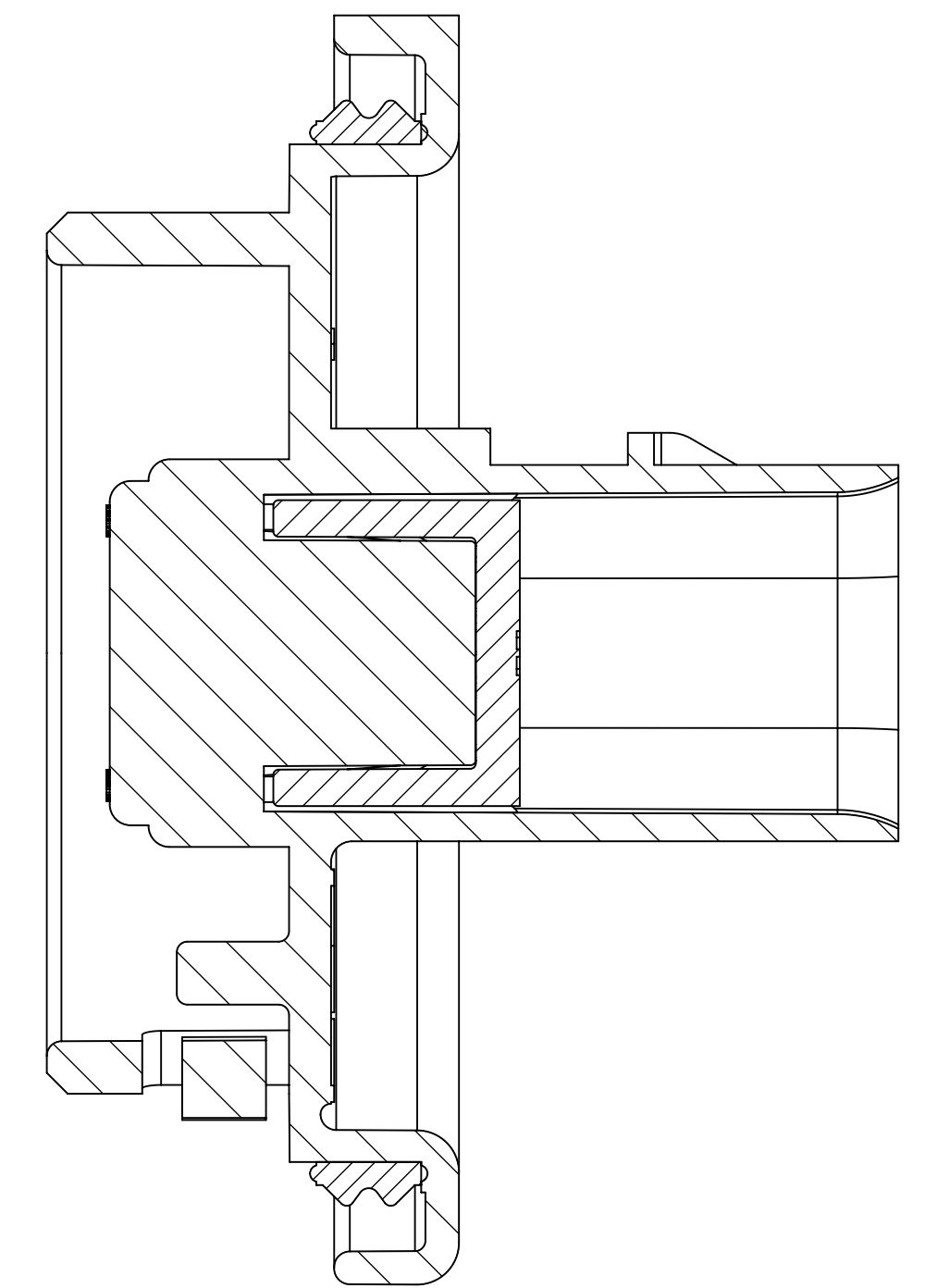
DOCUMENT NUMBER	DOC TYPE	DOC PART	REVISION
SD-34840-001	PSD	001	B7

CIRCUIT SIZE	DIMENSIONS	
	A	B
6	3.50	50.3
8	5.25	50.3
12	8.75	60.2
16	12.25	60.2

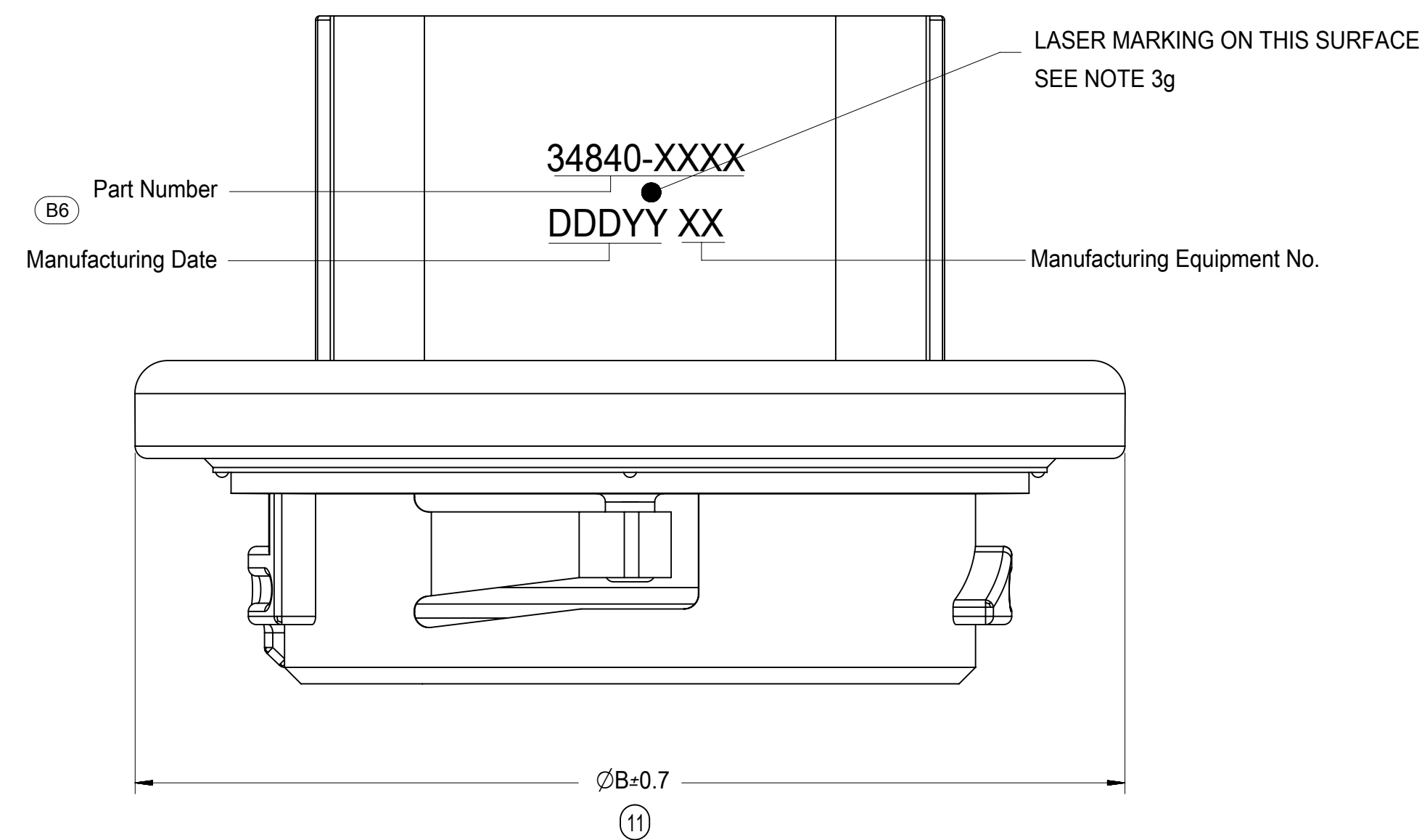
BULKHEAD CONNECTOR



SECTION A-A
PLR SHOWN IN PRE-LOCK POSITION

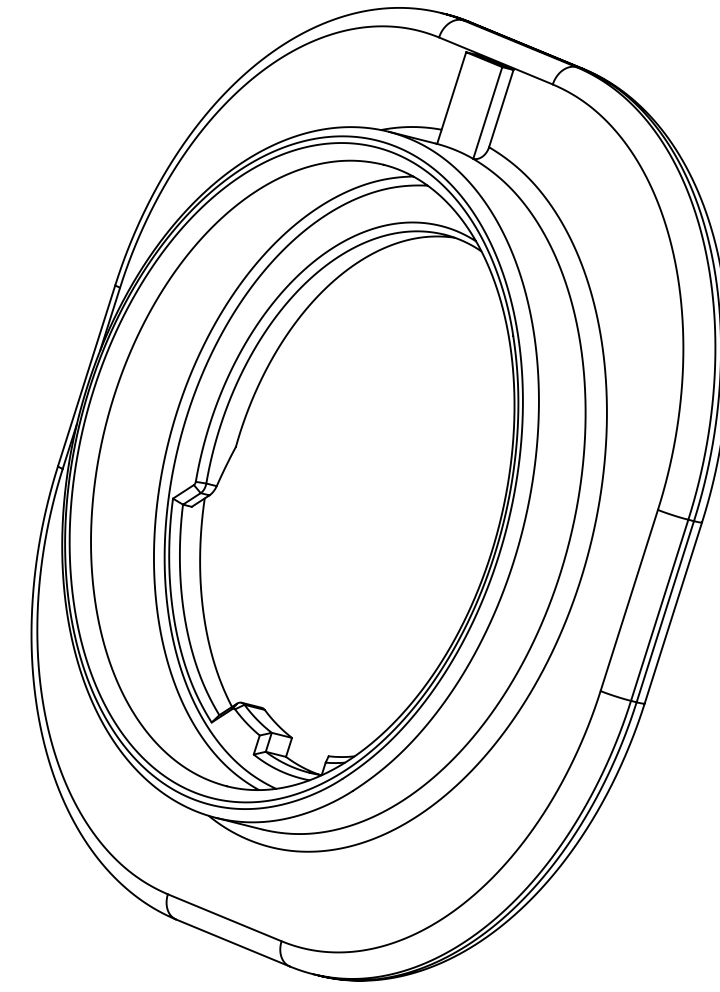
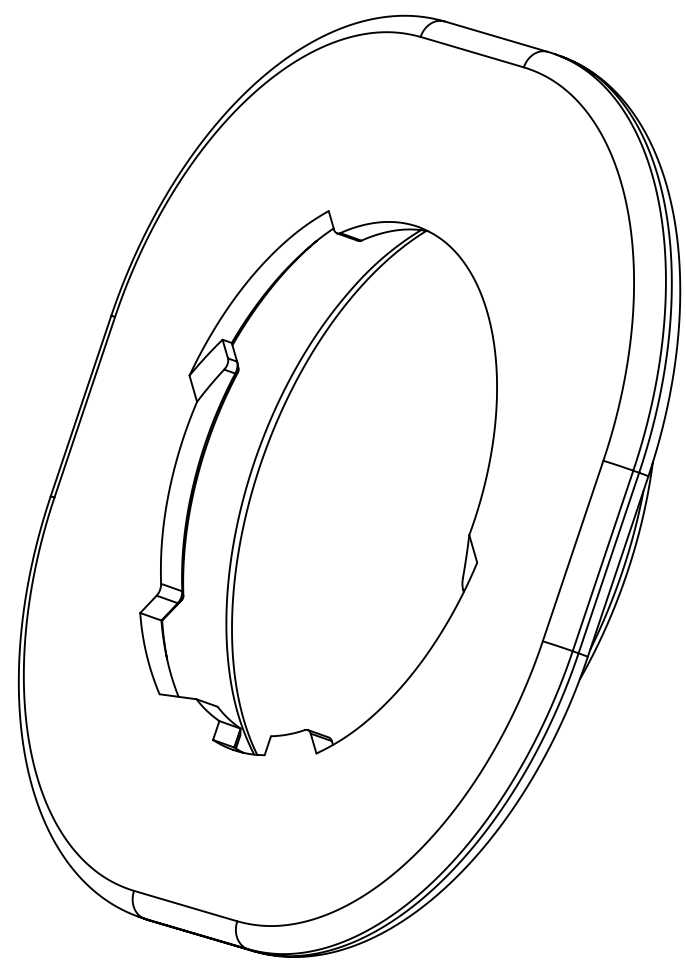


SECTION A-A
PLR SHOWN IN FINAL-LOCK POSITION

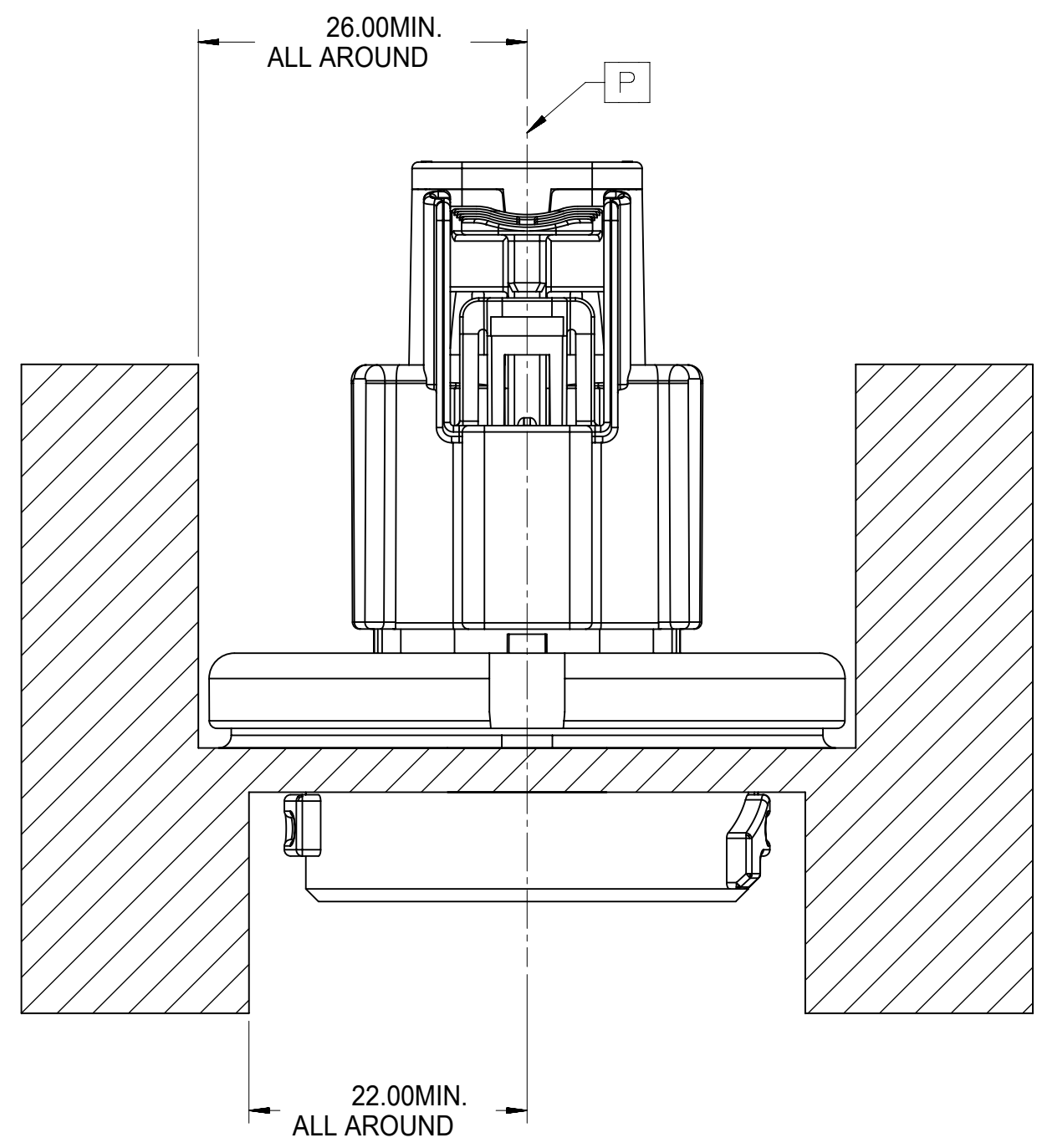


SYMBOLS		THIS DRAWING CONTAINS INFORMATION THAT IS PROPRIETARY TO MOLEX ELECTRONIC TECHNOLOGIES, LLC AND SHOULD NOT BE USED WITHOUT WRITTEN PERMISSION		CURRENT REV DESC:		molex	
▽ = 0	DIMENSION UNITS	mm	SCALE	2:1		MX150 DUAL ROW	
▽ = 0	GENERAL TOLERANCES (UNLESS SPECIFIED)		EC NO: 625506		BULKHEAD TWIST-LOCK CONNECTOR ASSEMBLY		PRODUCT CUSTOMER DRAWING
▽ = 0	ANGULAR TOL	± 3.0°	DRWN: WKHE	2019/10/11	DOC TYPE	DOC PART	
▽ = 0	4 PLACES	±	CHK'D: JDENG02	2019/10/22	SD-34840-001		PSD
▽ = 0	3 PLACES	±	APPR: JDENG02	2019/10/22	SEE TABLE		001
▽ = 0	2 PLACES	± 0.1	INITIAL REVISION:		GENERAL MARKET		B7
▽ = 0	1 PLACE	± 0.2	DRWN: MVANSLAMBROU	2010/10/01	SHEET NUMBER		6 OF 10
▽ = 0	0 PLACES	±	APPR: VKOSHY	2010/10/05	DRAWING		
■ = 0	DRAFT WHERE APPLICABLE MUST REMAIN WITHIN DIMENSIONS		THIRD ANGLE PROJECTION		SERIES		
▽ = 0			D-SIZE		34840		

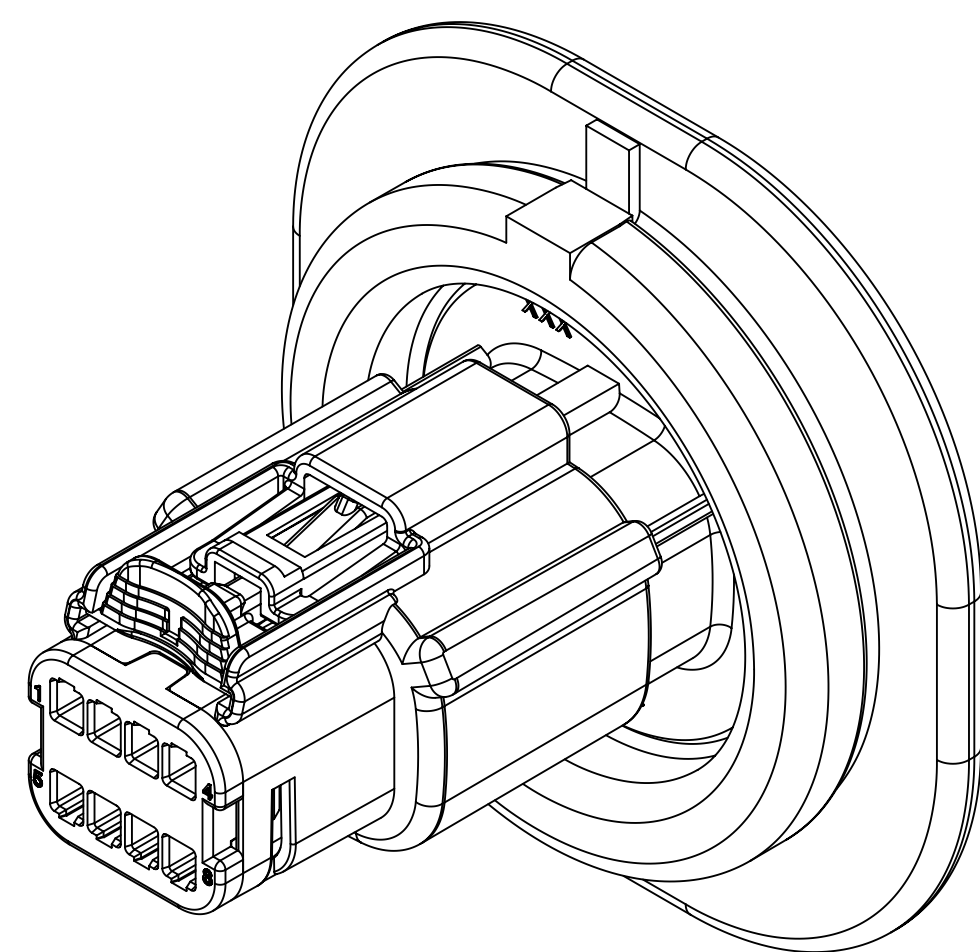
B7
 NOTES:
 THE INTERFACE IS NOT AN ACTUAL PART. IT CAN'T BE SOLD, BUT NEEDS TO BE DESIGNED IN ON THE CUSTOMER'S SIDE.



IF BULKHEAD INTERFACE IS RECESSED INTO A POCKET, THESE DIMENSIONS REPRESENT THE MINIMUM CLEARANCE REQUIRED FOR THE MATING HARNESS AND BULKHEAD CONNECTOR SHROUDS.



PACKAGING FRAME

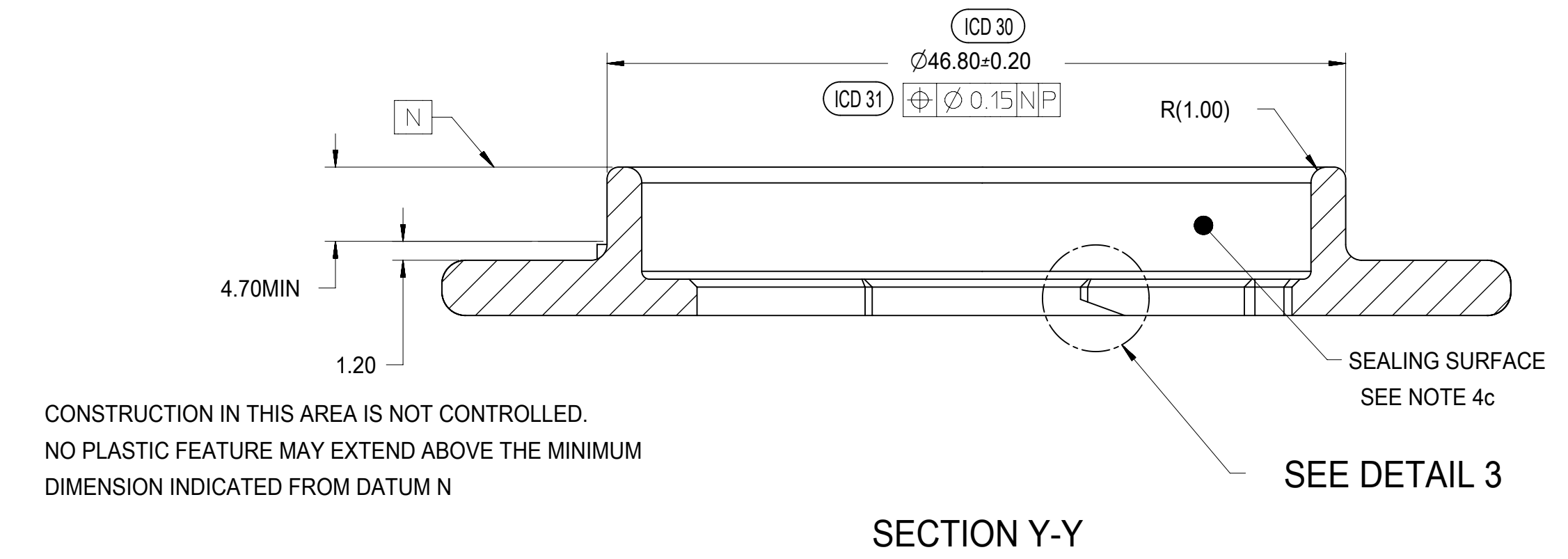
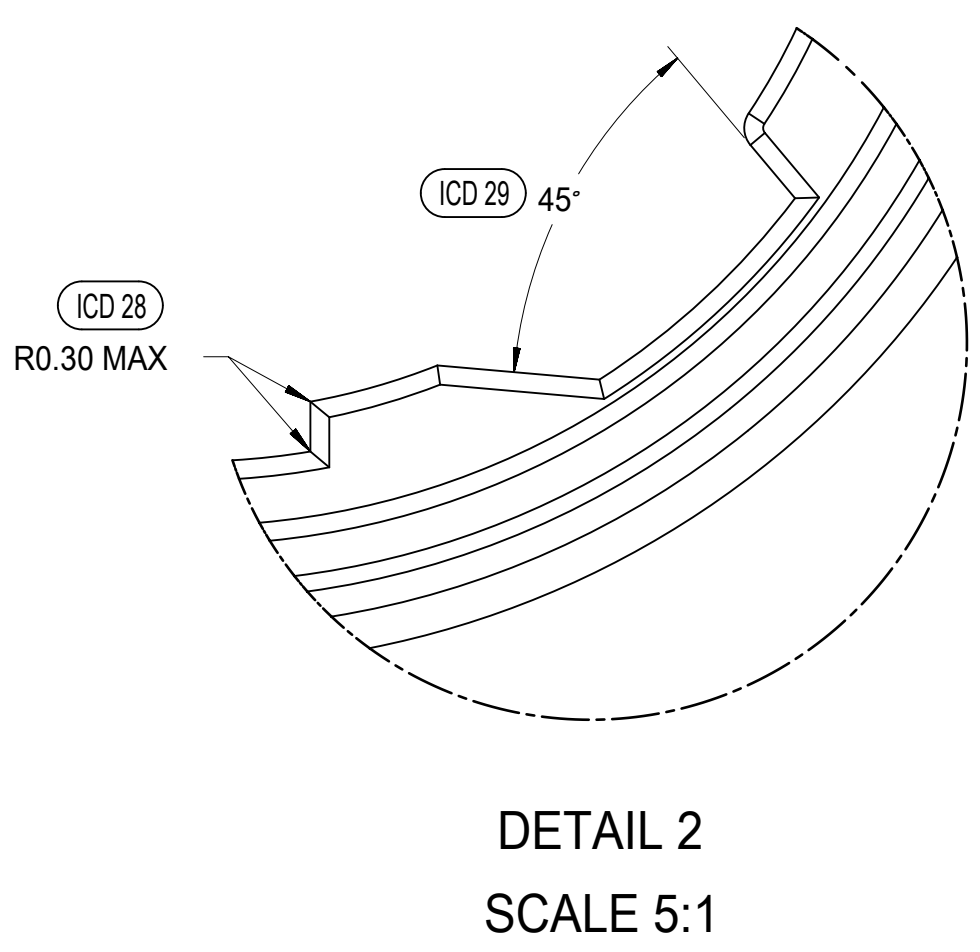
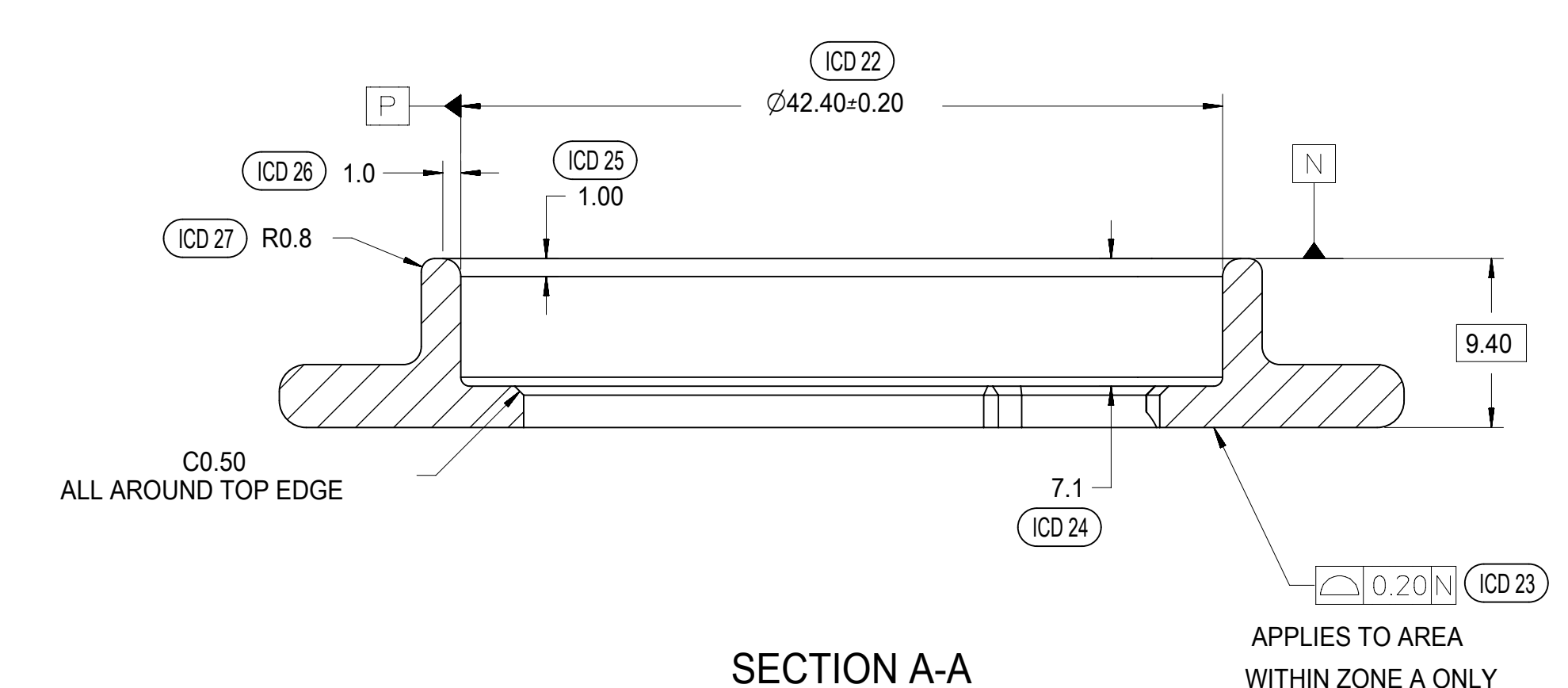
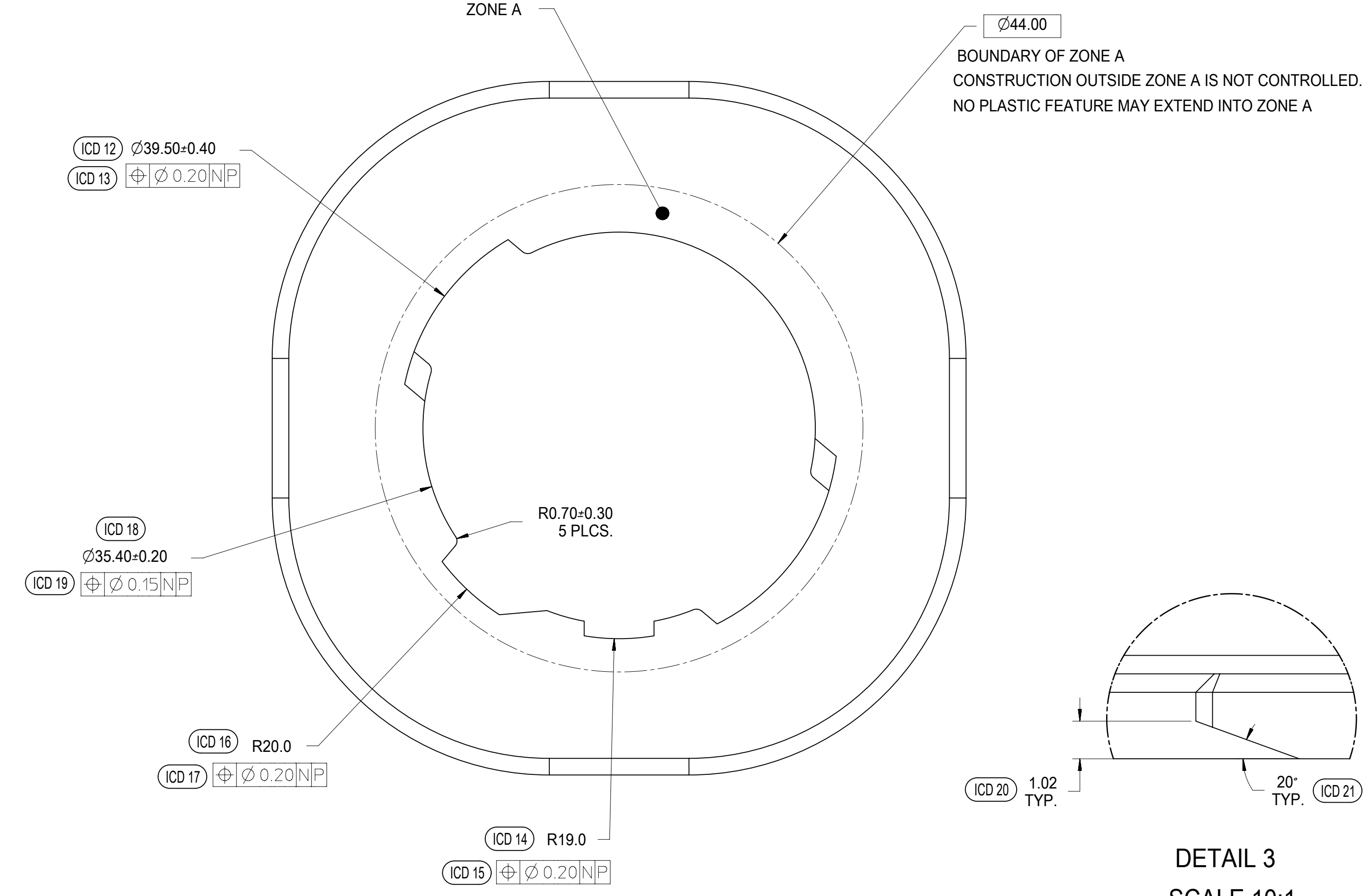
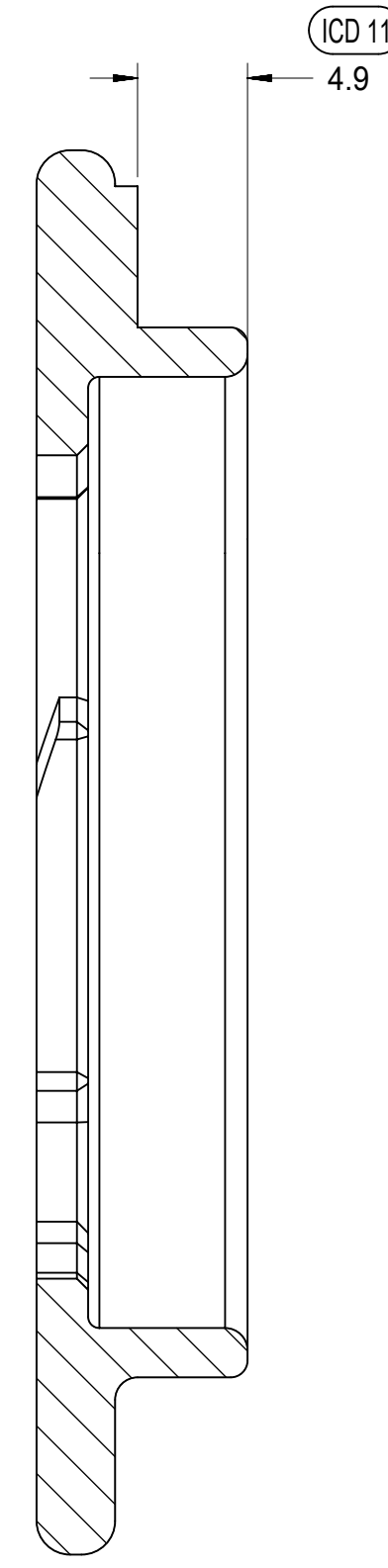
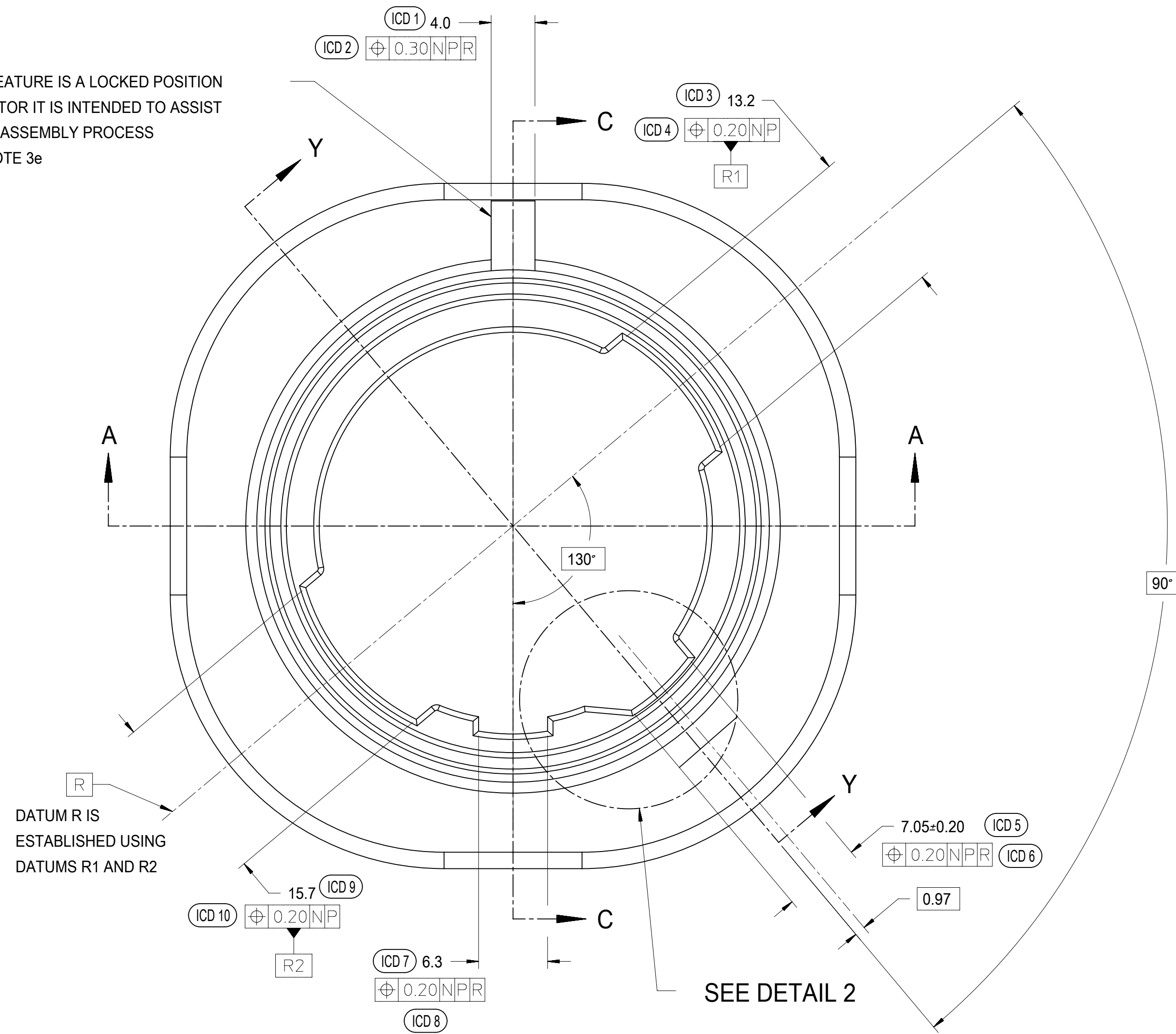


BULKHEAD INTERFACE NOTES: VALID UNLESS OTHERWISE SPECIFIED

1. GENERAL:
 - a. DESIGNED TO MATE WITH MOLEX CONNECTOR SERIES # 34840
 - b. ALL DIMENSIONS SHOWN IN MILLIMETERS
2. MATERIALS:
 - a. MATERIAL: BLACK TALC FILLED POLYPROPYLENE PER GMP.PP.030 OR EQUIVALENT
3. GEOMETRY:
 - a. THIS IS A 100% CAD GENERATED PART. THE CAD MATHEMATICAL DATA IS THE MASTER FOR THIS PART. FOR DIMENSIONAL OR ANY INFORMATION NOT SHOWN ON THIS DRAWING, ANALYZE THE CAD MODEL.
 - b. GEOMETRIC DIMENSIONS AND TOLERANCES PER ASME Y14.5M - 2009
 - c. GENERAL TOLERANCES: SEE TITLE BLOCK
 - d. EDGES AND UNDIMENSIONED DETAILS PER ISO13715
 - e. LOCKED POSITION INDICATOR IS INTENDED TO BE A VISUAL AID TO ENSURE THE BULKHEAD CONNECTOR IS IN THE LOCKED POSITION THE BULKHEAD CONNECTOR HAS A CORRESPONDING FEATURE THAT WILL ALIGN WITH THE BULKHEAD INTERFACE WHEN FULLY LOCKED
4. MANUFACTURING:
 - a. DRAFT TO BE WITHIN TOLERANCE.
 - PLUS DRAFT - INDICATES DIMENSION REPRESENTS THE SMALLEST SIZE OF A FEATURE. DRAFT WILL ADD MATERIAL.
 - MINUS DRAFT - INDICATES DIMENSION REPRESENTS THE LARGEST SIZE OF A FEATURE. DRAFT WILL REMOVE MATERIAL.
 - b. ALLOWABLE FLASH MAX 0.20 HIGH BY MAX 0.13 THICK.
 - c. NO PARTING LINES, MISMATCHES OR EJECTOR MARKS PERMISSIBLE WITHIN SEALING SURFACE. SEALING SURFACE TOOLING TO BE PROCESSED TO A SURFACE FINISH OF NTMA #70 (400 PAPER) MINIMUM
 - d. NO EXTERNAL MOLD RELEASE AGENT ALLOWED DURING MANUFACTURING.

SYMBOLS	THIS DRAWING CONTAINS INFORMATION THAT IS PROPRIETARY TO MOLEX ELECTRONIC TECHNOLOGIES, LLC AND SHOULD NOT BE USED WITHOUT WRITTEN PERMISSION		
	DIMENSION UNITS	SCALE	CURRENT REV DESC:
= 0	mm	2:1	EC NO: 625506 DRWN: WKHE 2019/10/11 CHK'D: JDENG02 2019/10/22 APPR: JDENG02 2019/10/22 INITIAL REVISION: DRWN: MVANSLAMBROU 2010/10/01 APPR: VKOSHY 2010/10/05
= 0	GENERAL TOLERANCES (UNLESS SPECIFIED)		
= 0	ANGULAR TOL ± 3.0°		
= 0	4 PLACES ±		
= 0	3 PLACES ±		
= 0	2 PLACES ± 0.1		
= 0	1 PLACE ± 0.2		DOCUMENT NUMBER: SD-34840-001 DOC TYPE: PSD DOC PART: 001 REVISION: B7
= 0	0 PLACES ±		
= 0	DRAFT WHERE APPLICABLE MUST REMAIN WITHIN DIMENSIONS	THIRD ANGLE PROJECTION	MATERIAL NUMBER: 34840 CUSTOMER: GENERAL MARKET SHEET NUMBER: 7 OF 10
= 0		D-SIZE	

THIS FEATURE IS A LOCKED POSITION INDICATOR IT IS INTENDED TO ASSIST IN THE ASSEMBLY PROCESS SEE NOTE 3e

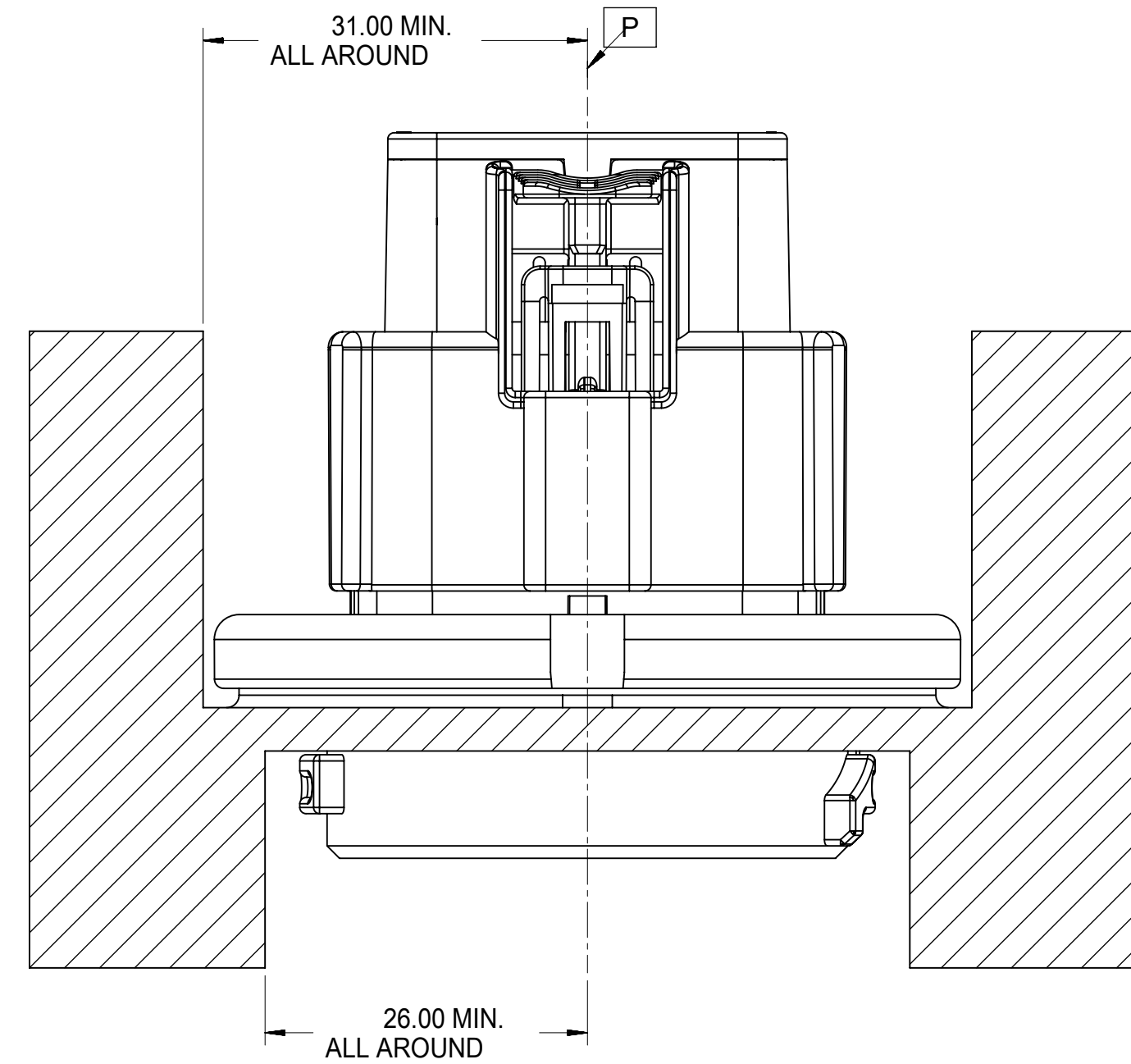


SYMBOLS	THIS DRAWING CONTAINS INFORMATION THAT IS PROPRIETARY TO MOLEX ELECTRONIC TECHNOLOGIES, LLC AND SHOULD NOT BE USED WITHOUT WRITTEN PERMISSION		CURRENT REV DESC:		molex
	DIMENSION UNITS	SCALE			
$\nabla = 0$	mm	2:1			MX150 DUAL ROW BULKHEAD TWIST-LOCK CONNECTOR ASSEMBLY
$\nabla = 0$	GENERAL TOLERANCES (UNLESS SPECIFIED)				
$\nabla = 0$	ANGULAR TOL	$\pm 3.0^\circ$			PRODUCT CUSTOMER DRAWING
$\nabla = 0$	4 PLACES	\pm			
$\nabla = 0$	3 PLACES	\pm			DOCUMENT NUMBER SD-34840-001
$\nabla = 0$	2 PLACES	± 0.1			
$\nabla = 0$	1 PLACE	± 0.2			DOC TYPE PSD
$\nabla = 0$	0 PLACES	\pm			
$\square = 0$	DRAFT WHERE APPLICABLE MUST REMAIN WITHIN DIMENSIONS		THIRD ANGLE PROJECTION	DRAWING	DOC PART 001
$\nabla = 0$			ϕ	D-SIZE	
			SERIES	34840	REVISION B7
			MATERIAL NUMBER	SEE TABLE	
			CUSTOMER	GENERAL MARKET	SHEET NUMBER 8 OF 10

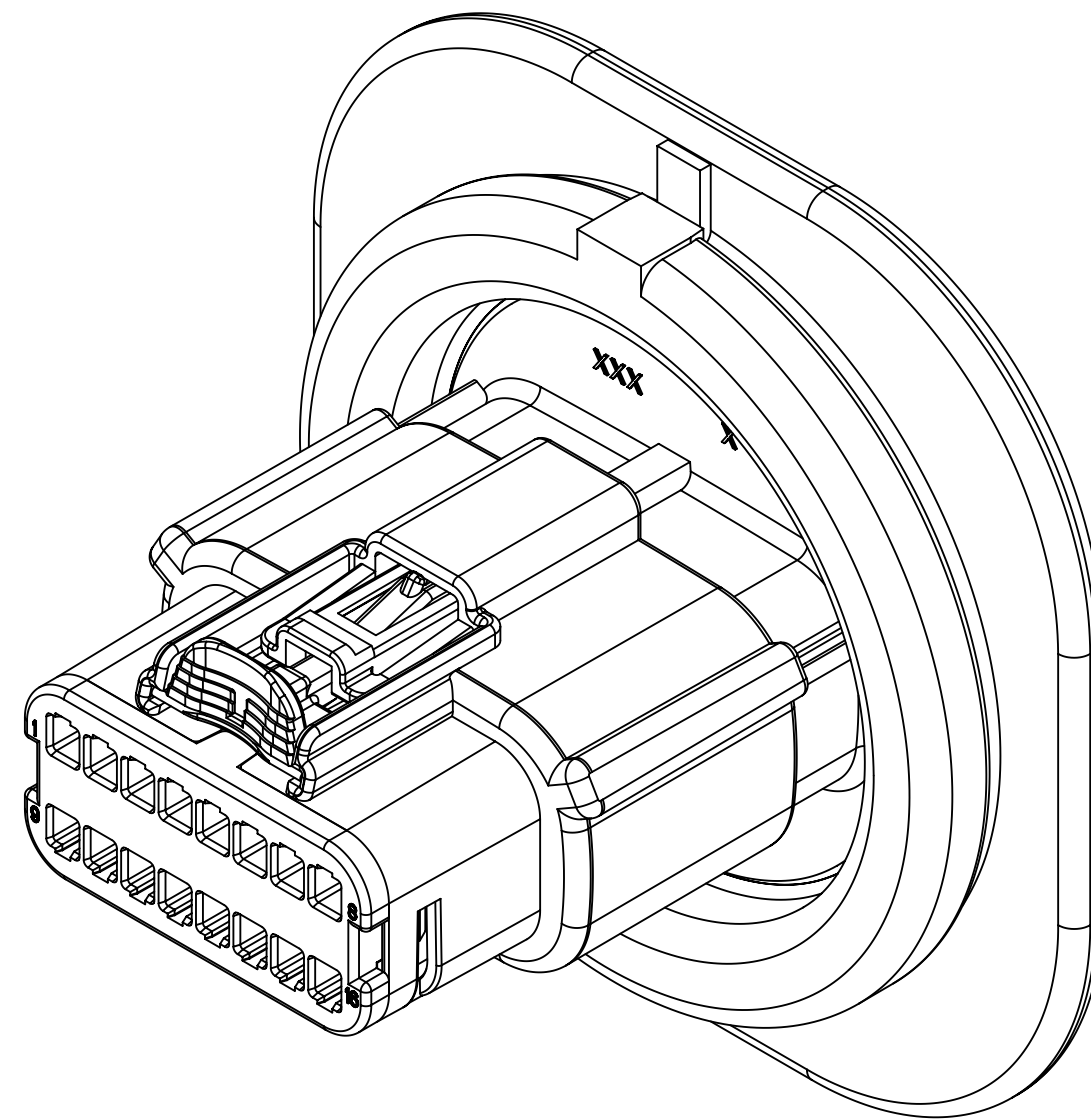
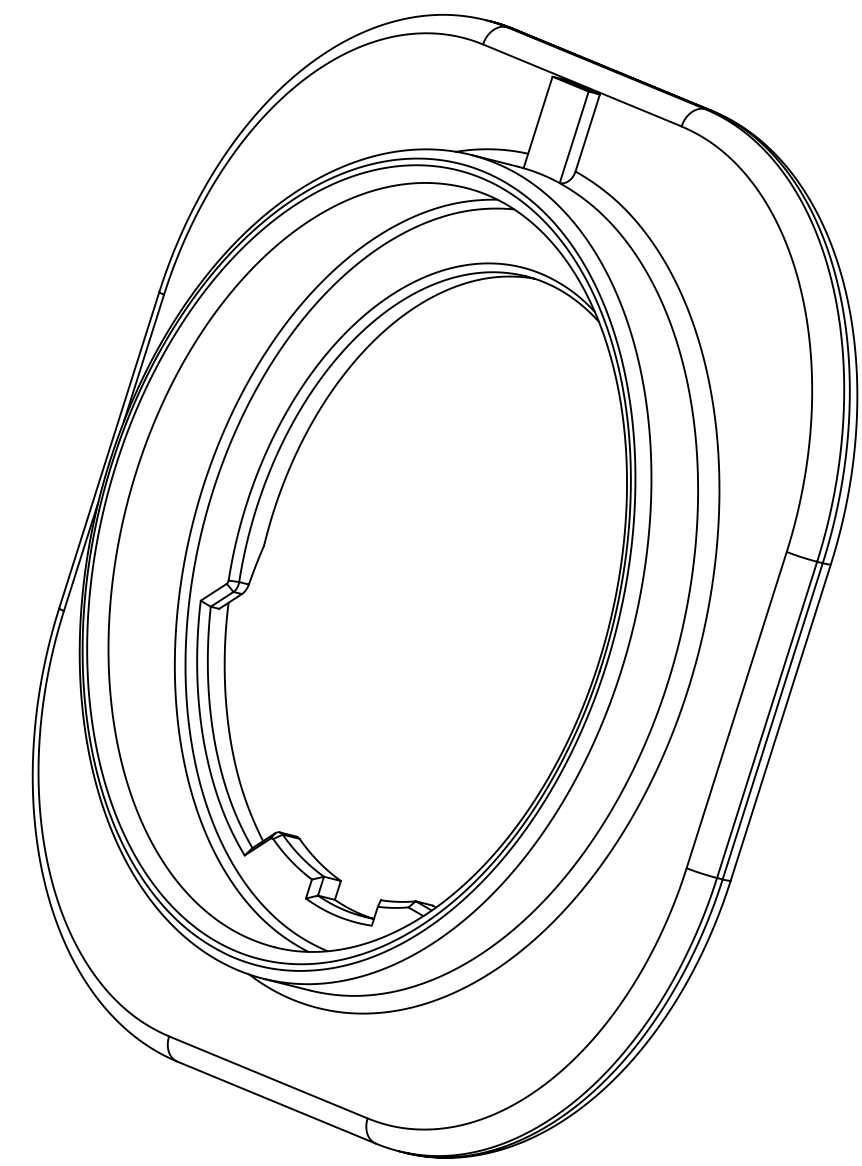
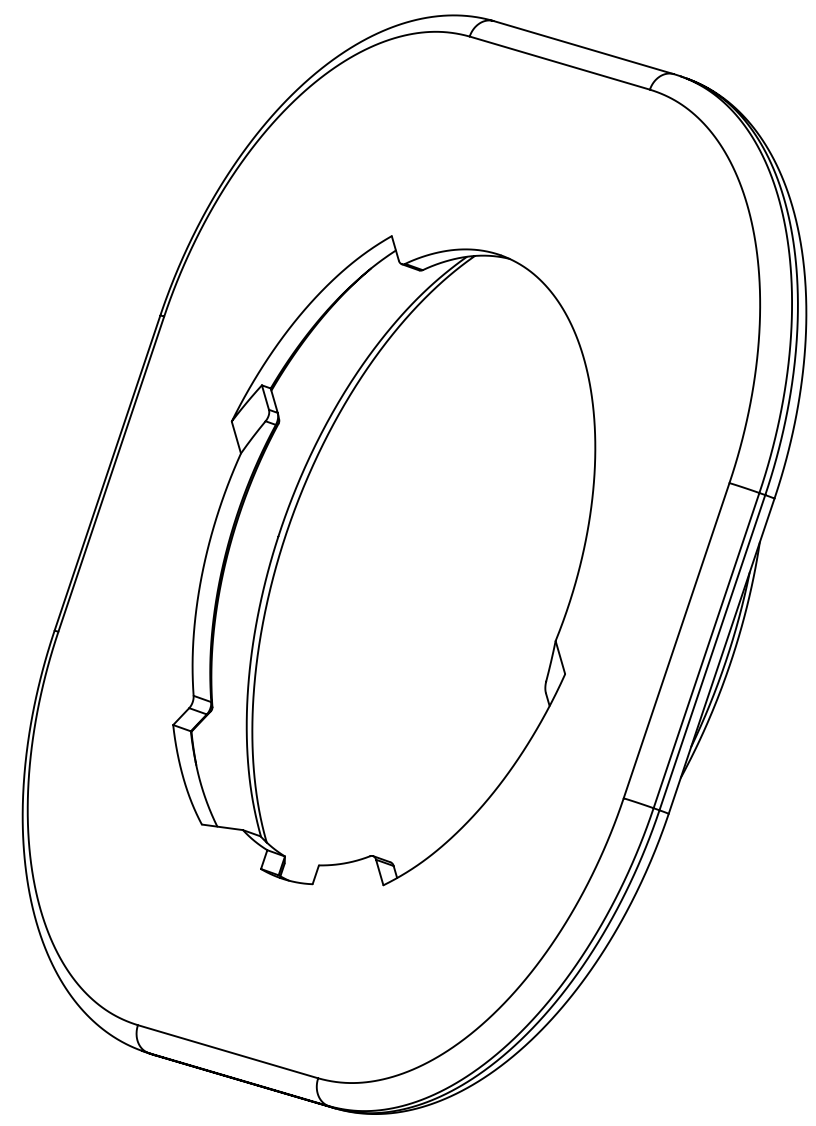
BULKHEAD INTERFACE NOTES: VALID UNLESS OTHERWISE SPECIFIED

1. GENERAL:
 - a. DESIGNED TO MATE WITH MOLEX CONNECTOR SERIES # 34840
 - b. ALL DIMENSIONS SHOWN IN MILLIMETERS
2. MATERIALS:
 - a. MATERIAL: BLACK TALC FILLED POLYPROPYLENE
PER GMP.PP.030 OR EQUIVALENT
3. GEOMETRY:
 - a. THIS IS A 100% CAD GENERATED PART. THE CAD MATHEMATICAL DATA IS THE MASTER FOR THIS PART. FOR DIMENSIONAL OR ANY INFORMATION NOT SHOWN ON THIS DRAWING, ANALYZE THE CAD MODEL.
 - b. GEOMETRIC DIMENSIONS AND TOLERANCES PER ASME Y14.5M - 2009
 - c. GENERAL TOLERANCES: SEE TITLE BLOCK
 - d. EDGES AND UNDIMENSIONED DETAILS PER ISO13715
 - e. LOCKED POSITION INDICATOR IS INTENDED TO BE A VISUAL AID TO ENSURE THE BULKHEAD CONNECTOR IS IN THE LOCKED POSITION. THE BULKHEAD CONNECTOR HAS A CORRESPONDING FEATURE THAT WILL ALIGN WITH THE BULKHEAD INTERFACE WHEN FULLY LOCKED
4. MANUFACTURING:
 - a. DRAFT TO BE WITHIN TOLERANCE.
 - PLUS DRAFT - INDICATES DIMENSION REPRESENTS THE SMALLEST SIZE OF A FEATURE. DRAFT WILL ADD MATERIAL.
 - MINUS DRAFT - INDICATES DIMENSION REPRESENTS THE LARGEST SIZE OF A FEATURE. DRAFT WILL REMOVE MATERIAL.
 - b. ALLOWABLE FLASH MAX 0.20 HIGH BY MAX 0.13 THICK.
 - c. NO PARTING LINES, MISMATCHES OR EJECTOR MARKS PERMISSIBLE WITHIN SEALING SURFACE. SEALING SURFACE TOOLING TO BE PROCESSED TO A SURFACE FINISH OF NTMA #70 (400 PAPER) MINIMUM
 - d. NO EXTERNAL MOLD RELEASE AGENT ALLOWED DURING MANUFACTURING.

IF BULKHEAD INTERFACE IS RECESSED INTO A POCKET, THESE DIMENSIONS REPRESENT THE MINIMUM CLEARANCE REQUIRED FOR THE MATING HARNESS AND BULKHEAD CONNECTOR SHROUDS.



PACKAGING FRAME



SYMBOLS	THIS DRAWING CONTAINS INFORMATION THAT IS PROPRIETARY TO MOLEX ELECTRONIC TECHNOLOGIES, LLC AND SHOULD NOT BE USED WITHOUT WRITTEN PERMISSION		
	DIMENSION UNITS	SCALE	CURRENT REV DESC:
= 0	mm	2:1	EC NO: 625506 DRWN: WKHE 2019/10/11 CHK'D: JDENG02 2019/10/22 APPR: JDENG02 2019/10/22
= 0	GENERAL TOLERANCES (UNLESS SPECIFIED)		
= 0	ANGULAR TOL	± 3.0°	INITIAL REVISION: DRWN: MVANSLAMBROU 2010/10/01 APPR: VKOSHY 2010/10/05
= 0	4 PLACES	±	
= 0	3 PLACES	±	DOCUMENT NUMBER: SD-34840-001 DOC TYPE: PSD DOC PART: 001 REVISION: B7
= 0	2 PLACES	± 0.1	
= 0	1 PLACE	± 0.2	MATERIAL NUMBER: SEE TABLE CUSTOMER: GENERAL MARKET SHEET NUMBER: 9 OF 10
= 0	0 PLACES	±	
= 0	DRAFT WHERE APPLICABLE MUST REMAIN WITHIN DIMENSIONS	THIRD ANGLE PROJECTION	DRAWING: D-SIZE SERIES: 34840

molex

MX150 DUAL ROW
BULKHEAD TWIST-LOCK CONNECTOR ASSEMBLY

PRODUCT CUSTOMER DRAWING

SD-34840-001 PSD 001 B7



PRODUCT SPECIFICATION

1.0 SCOPE

This Product Specification covers the transit requirements of Terminal Position Assurance (TPA) devices used in the automotive industry.

2.0 PRODUCT DESCRIPTION

2.1 TPA DEFINITION

The TPA is a device that detects the presence of a partially installed terminal and supports the primary locking feature when fully seated.

2.2 PRELOCK POSITION

The TPA is pre-assembled to the connector housing in a position that allows the terminal to be installed into the connector assembly.

2.3 FINAL POSITION

The TPA is seated from the pre-lock position into the connector housing where it is locked into place.

2.4 PRODUCT NAME AND SERIES NUMBER (S)

MX150 SINGLE ROW	33471, 33481, 31280
MX150 DUAL ROW	33472, 33482
MX150 GEN 2 DUAL ROW	160008, 160011
MX150 HYBRID	33476, 33486, 34985, 34986
MX150 1X4 Z02	34770
MX120 SINGLE ROW	34511
MX64 SEALED	31402, 31403, 31404, 34975, 34977
MX150 SINGLE ROW CABLE SEAL	34752
MX150 BULKHEAD CONNECTOR	34840
USCAR RECEPTACLE	31408, 31409, 31410
GLOBAL FUEL INJECTOR	34062
3 WAY RECEPTACLE	34250
3 WAY BLADE	34091
H-DAC 64 DUAL ROW	30700, 30968, 31389
H-DAC 64 SINGLE ROW	31067, 31068, 31072, 31073, 31100
38 WAY ABS	31187, 31380, 31381
12 WAY HYBRID	31034
6 WAY HYBRID	31066
NGPCM	30528
6.3MM SYSTEMS	30897
EPAS	33967
11 WAY AIRBAG	33985, 33990
2 WAY MALE CABLE SEAL	34675
10 WAY HYBRID	31372
B479 PDB 50 WAY	160044

REVISION: F2	ECR/ECN INFORMATION: EC No: UAU2016-0501 DATE: 2015/ 10/ 13	TITLE: PRODUCT SPECIFICATION FOR TRANSIT RELATED SEATED TPA	SHEET No. 1 of 2
DOCUMENT NUMBER: PS-34646-001	CREATED / REVISED BY: Fiona Chen	CHECKED BY: Jun Deng	APPROVED BY: Vijy Koshy



PRODUCT SPECIFICATION

3.0 APPLICABLE DOCUMENTS AND SPECIFICATIONS

Reference USCAR-2 (miscellaneous component engage/disengage – method 5.4.5.4) for the applicable TPA functionality for pre-lock seating to final position. Products that do not meet the performance range of $15N < X < 60 N$ are not covered by this specification.

4.0 PACKAGING

TPAs may become seated during transit. Occurrence rates of this condition will be evaluated using individual boxes versus palletized shipments. Packaging includes bulk, layer and partition styles.

5.0 SERVICING

TPAs that become seated will need to be pulled back from the final seat position to the pre-lock position as shipped. For servicing guidelines to restore the TPA to the correct position please refer to the connector user's manual. The manuals can be found at www.molex.com by referencing part number or product name.

6.0 DAMAGE

Damage to the connector assembly occurred during shipment is not covered by this specification.


7.0 DISCLAIMER


The receiving company assumes responsibility for servicing the TPA.


Molex Incorporated


Ford Motor Company

Molex Incorporated and PSA PEUGEOT CITROEN Company representatives have endorsed this specification


Molex Incorporated


PSA PEUGEOT CITROEN

REVISION: F2	ECR/ECN INFORMATION: EC No: UAU2016-0501 DATE: 2015/ 10/ 13	TITLE: PRODUCT SPECIFICATION FOR TRANSIT RELATED SEATED TPA	SHEET No. 2 of 2
DOCUMENT NUMBER: PS-34646-001	CREATED / REVISED BY: Fiona Chen	CHECKED BY: Jun Deng	APPROVED BY: Vijy Koshy