



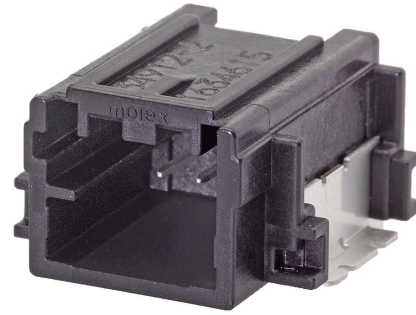
产品编号：[349128020](#)

Product Description：Mini50 Unsealed Header, Right-Angle, SMT, Single Row, 2 Circuits, Tin (Sn) Plating, Polarization Option A, Black, Tape and Reel

系列号：34912

状态：Active

Product Category：PCB Headers and Receptacles



文件和资源

图纸

[图纸 349128020_sd.pdf](#)

[包装设计图 PK-31301-786-001.pdf](#)

3D 模型和设计文件

[3D模型 349128020_stp.zip](#)

规格

[应用规格 AS-34791-020-CH-001.pdf](#)

[应用规格 AS-34791-020-001.pdf](#)

[产品规格 PS-34791-020-001.pdf](#)

[测试摘要 347910020-TS-000.pdf](#)

产物环境合规

合规

GADSL/IMDS	Compliant with Exemption 44; 33
China RoHS	
EU ELV	Compliant per 2000/53/EC
Low-Halogen Status	Low-Halogen per IEC 61249-2-21
REACH SVHC	Not Contained per D(2023)3788-DC (14 Jun 2023)
EU RoHS	Compliant per EU 2015/863

[多部分产品合规性声明](#)

- Eu RoHS
- REACH SVHC
- Low-Halogen

多部分行业合规性文件

- IPC 1752A Class C
- IPC 1752A Class D
- Molex Product Compliance Declaration
- IEC-62474
- chemSHERPA (xml)

欧盟 RoHS 合格证书

产品详情

常规

状态	活动
类别	PCB Headers and Receptacles
系列	34912
说明	Mini50 Unsealed Header, Right-Angle, SMT, Single Row, 2 Circuits, Tin (Sn) Plating, Polarization Option A, Black, Tape and Reel
应用	Automotive, Power, Signal, Wire-to-Board
元件类型	PCB Header
产品系列	Mini50 Connection Systems
产品名称	Mini50
UPC	889056525459

电气

每触点最大电流	4.0A (for reference only)
电压 - 最大	14V (typical operating)

物理

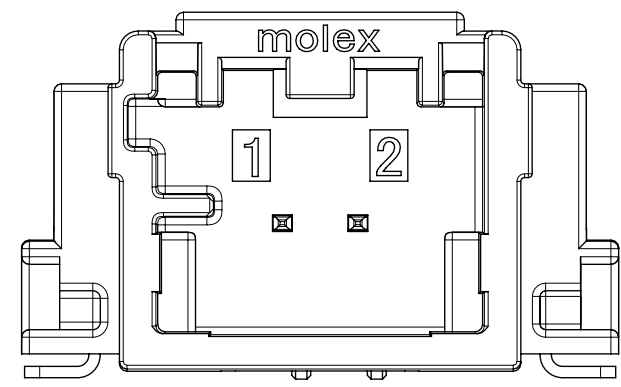
断开	否
回路数 (已载入)	2
电路数 (最多)	2
颜色-树脂	黑色
先接后断	否
符合灼热丝规范	否
可配插产品指南	否
插接极性	是

锁定插接部位	是
材料 - 金属	Brass
材料 - 接合部位电镀	Tin
材料 - 终端电镀	Tin
材料 - 树脂	SPS
净重	1.300/g
行数	1
方向	Right Angle
包装形式	Embossed Tape on Reel
PCB 保持力	是
间距 - 插配接口	2.00mm
有极性的插配件	是
PCB 极性	是
运行温度范围	-40° to +100° C
终端界面类型	Surface Mount

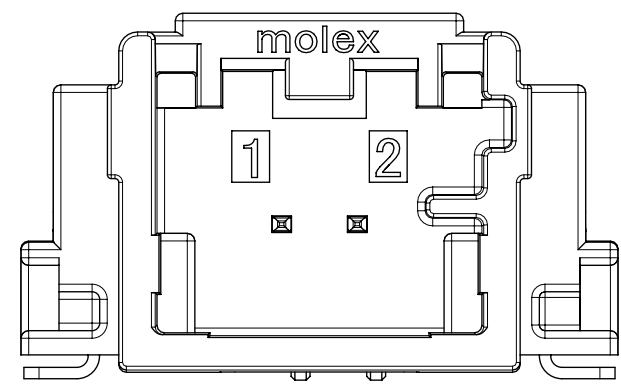
可配插/可连接使用的产品

可配插部件

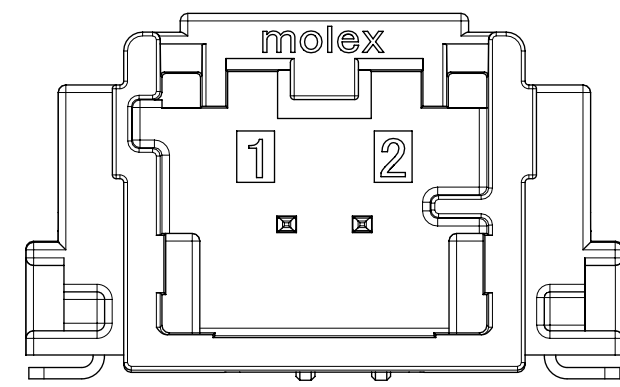
描述	产品编号
Mini50 Unsealed Receptacle Housings	<u>34791</u>



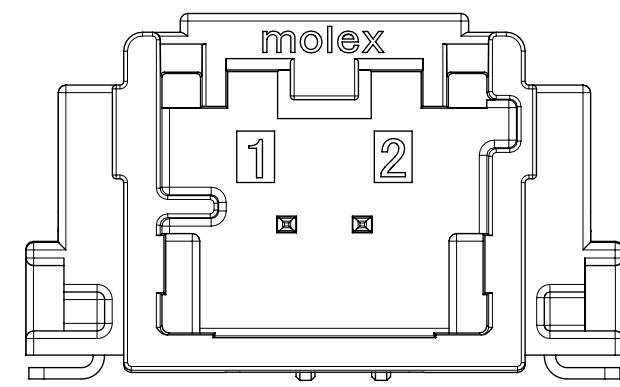
2 CKT SMT HEADER
POLARIZATION OPTION A



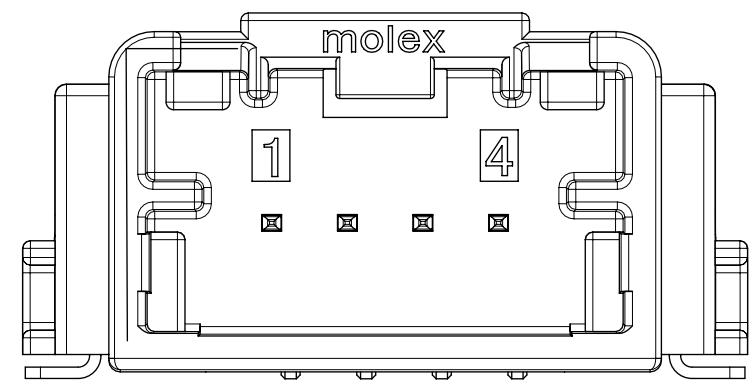
2 CKT SMT HEADER
POLARIZATION OPTION B



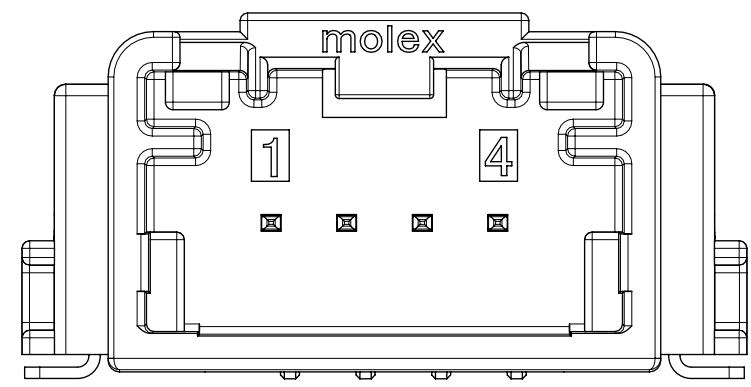
2 CKT SMT HEADER
POLARIZATION OPTION C



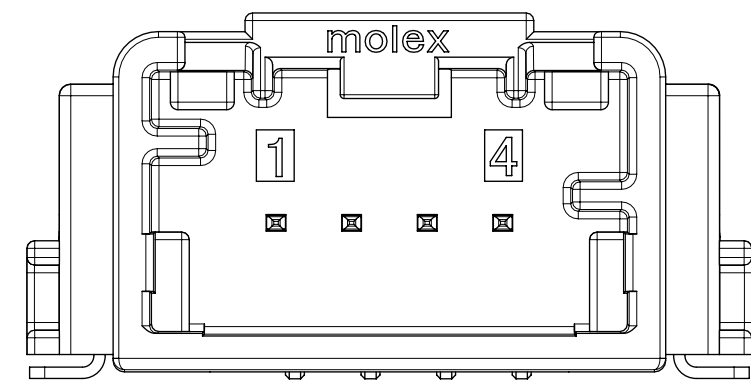
2 CKT SMT HEADER
POLARIZATION OPTION D



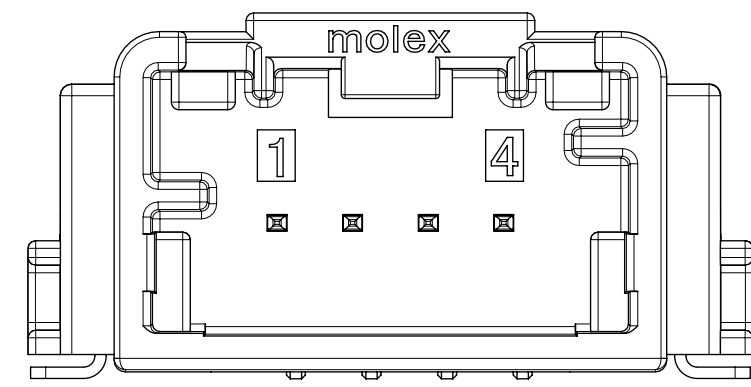
4 CKT SMT HEADER
POLARIZATION OPTION A



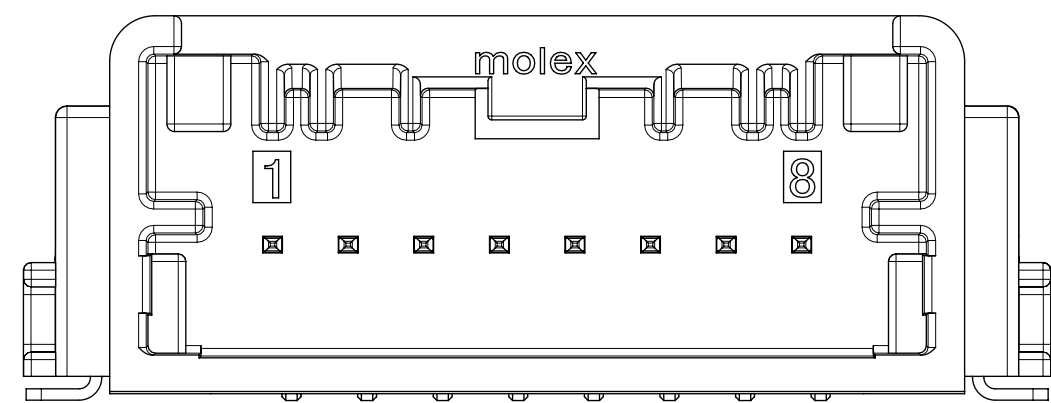
4 CKT SMT HEADER
POLARIZATION OPTION B



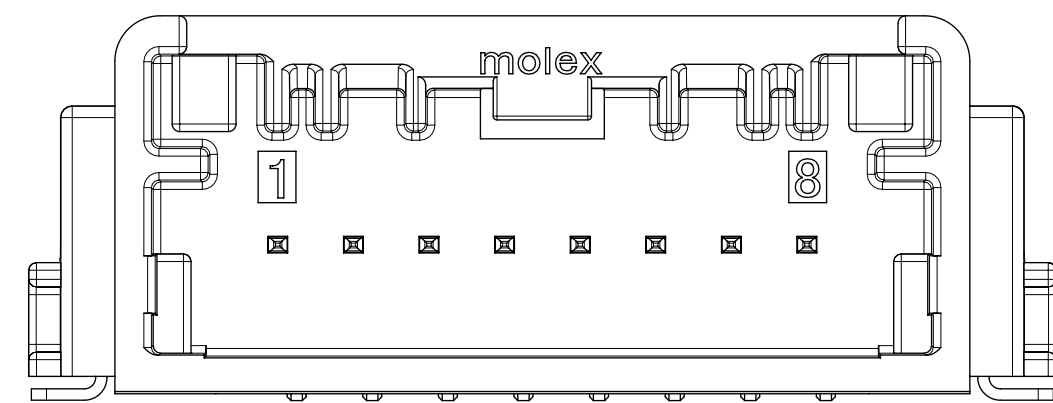
4 CKT SMT HEADER
POLARIZATION OPTION C



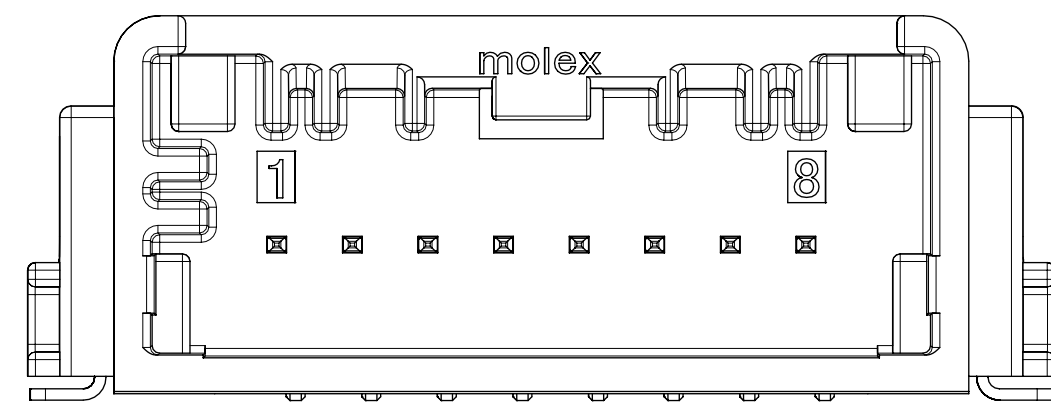
4 CKT SMT HEADER
POLARIZATION OPTION D



8 CKT SMT HEADER
POLARIZATION OPTION A



8 CKT SMT HEADER
POLARIZATION OPTION B



8 CKT SMT HEADER
POLARIZATION OPTION C

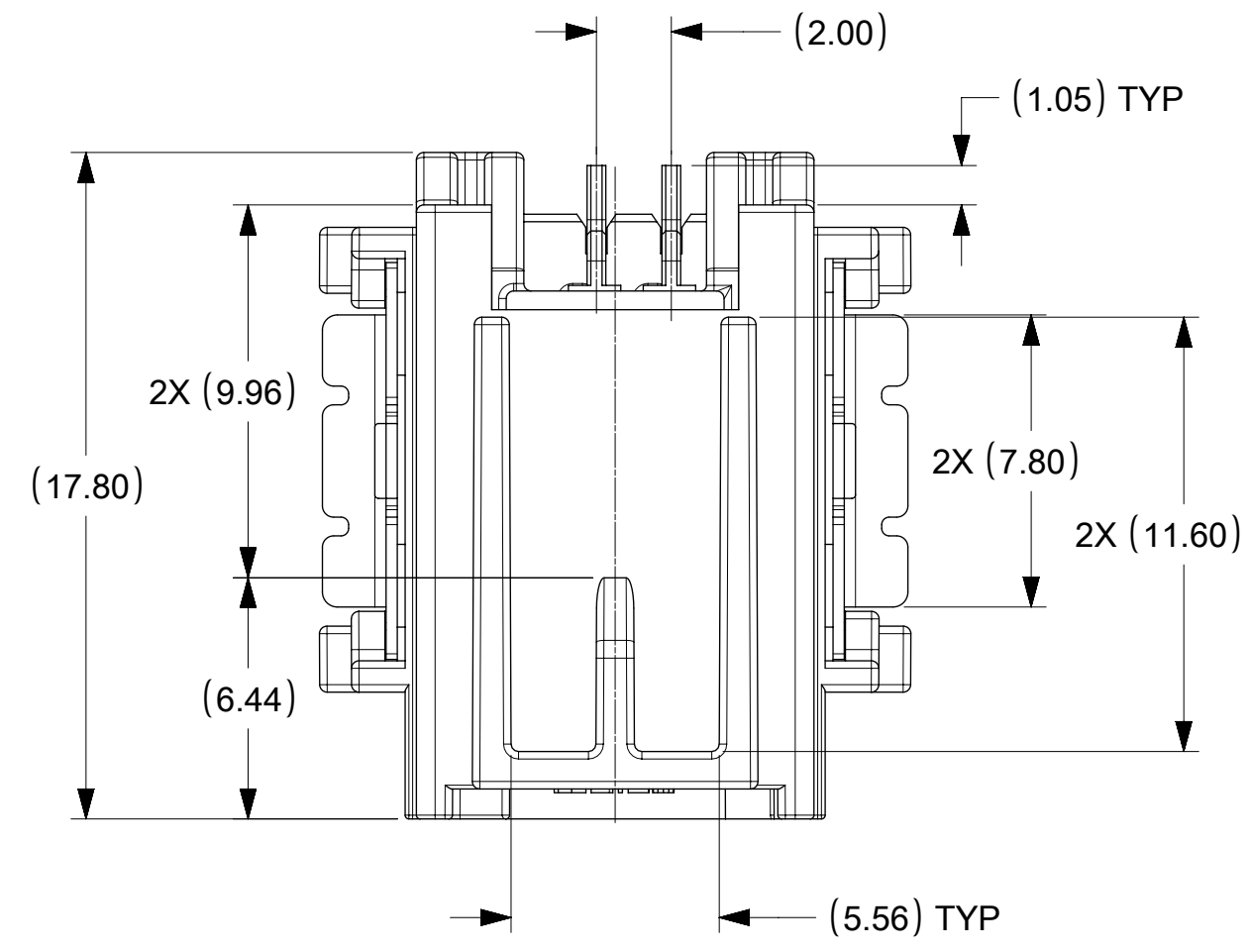
NOTES: VALID UNLESS OTHERWISE SPECIFIED

1. GENERAL:
 - a. APPLICATION SPECIFICATION SEE: AS-34791-020
 - b. PRODUCT SPECIFICATION SEE: PS-34791-020
 - c. PACKAGING SPECIFICATION PER MOLEX DRAWING: SEE CHART
 - d. SOLDERABILITY PER SMES-152
 - e. PARTS MUST BE IN COMPLIANCE TO MOLEX CHEMICAL SUBSTANCES FOR PRODUCTS AND PACKAGING SPECIFICATION: QEHS-699000-300
 - f. DATA MUST BE SUBMITTED UNDER THE MOLEX PART NUMBER TO IMDS (COMPANY ID# 13255)
 - g. FLAMMABILITY REQUIREMENT: PER ISO3795 OR GM3191
 - h. VISUAL DEFECTS SHALL MEET COSMETIC STANDARD PS-45499-002 (Class B)
 2. DESIGN - MATERIALS:
 - a. SHROUD (PLASTIC HOUSING): SPS 30% GF, 25% REGRIND MAX BY WEIGHT
 - b. BLADES:
 - BASE METAL: C260 BRASS
 - PLATING REQUIREMENTS:
 - TIN OVER NICKEL:
 - UNDERPLATING: OVERALL NICKEL
 - OVERPLATING: OVERALL TIN
 - GOLD:
 - UNDERPLATING: OVERALL NICKEL
 - OVERPLATING: OVERALL TIN
 - CONTACT AREA: GOLD
 - GRIP AREA: TIN
3. DESIGN - GEOMETRY:
 - a. THIS IS A 100% CAD GENERATED PART. THE CAD MATHEMATICAL DATA IS THE MASTER FOR THIS PART. FOR DIMENSIONAL OR ANY INFORMATION NOT SHOWN ON THIS DRAWING, ANALYZE THE CAD MODEL.
 - b. GEOMETRIC DIMENSIONS AND TOLERANCES PER ASME Y14.5M - 2009
 - c. GENERAL TOLERANCES: SEE TITLE BLOCK
 - d. EDGES AND UNDIMENSIONED DETAILS PER ISO13715
 - e. CORNERS SHOWN AS SHARP TO BE R 0.1 MAX
 - f. LETTERING SHALL BE BELOW SURROUNDING SURFACE OF PART. THIS INCLUDES RECYCLING CODE, PLANT AND CAVITY ID, VENDOR ID, AND CIRCUIT ID.
 - g. TRACEABILITY TO BE MARKED IN AREA SHOWN. MARK IS CODED AS FOLLOWS:
 - ROW 1 (XXXX): MOLEX SINGLE ROW SMT HEADER SERIES NUMBER (34912)
 - ROW 2 (HHDDYY):
 - 1ST & 2ND DIGITS: HOUR OF ASSEMBLY (24 HOUR CLOCK) (EXAMPLE: 15:00 > '15'; 7:00 -> '07')
 - 3RD THRU 5TH DIGITS: JULIAN DATE (EXAMPLE: FEBRUARY 3RD -> '034')
 - 6TH & 7TH DIGITS: LAST 2 DIGITS OF CALENDAR YEAR (EXAMPLE: 2013 -> '13')

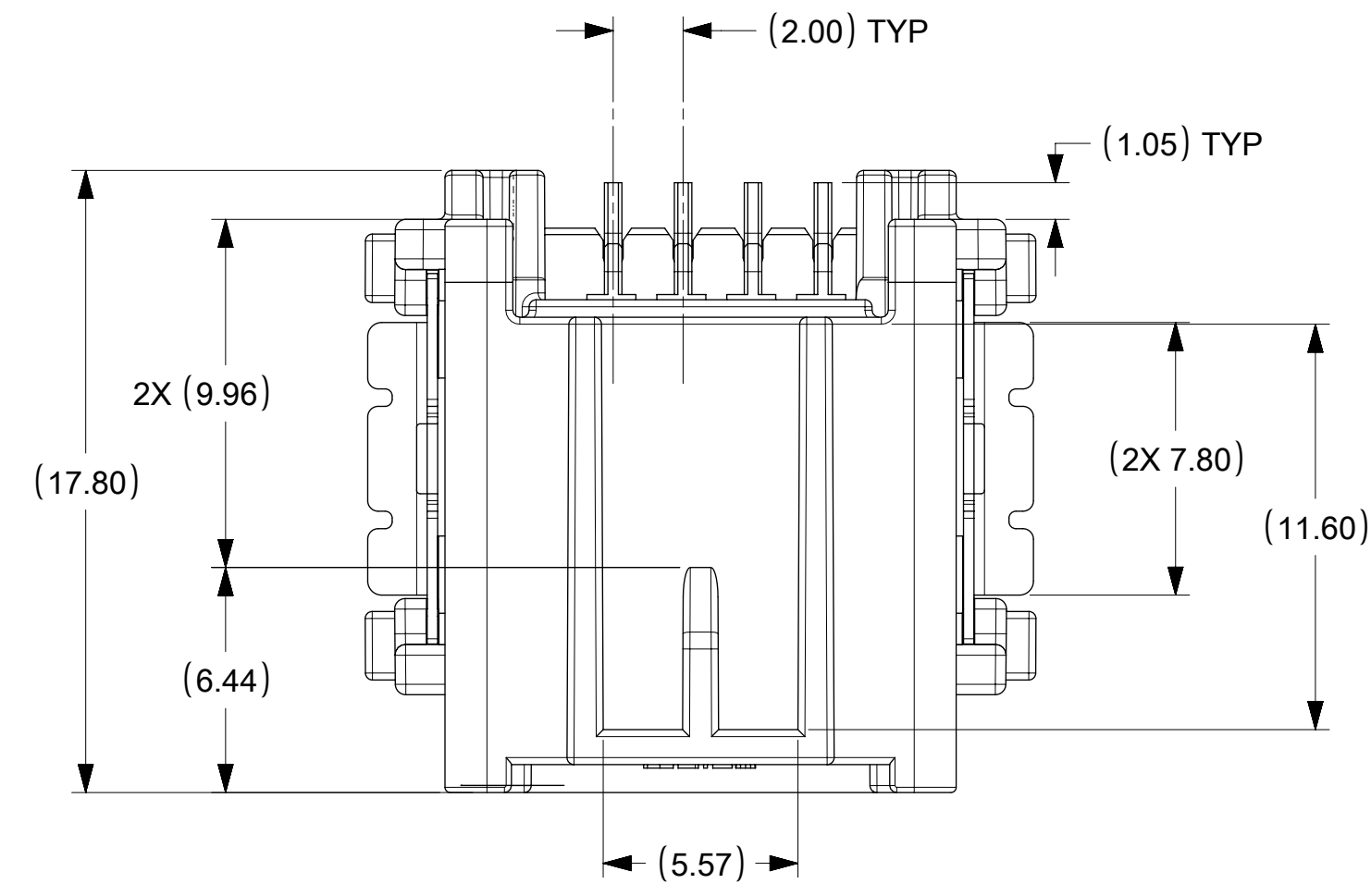
INSPECTION BALLOON NUMBER LOG		REV	DESCRIPTION
PER DRAWING REVISION: M6	M6	ADDED	2CKT GOLD TUBE P/N; UPDATED 2CKT & 8CKT PCB LAYOUT BASIC DIM TO 4.11
LAST BALLOON USED: 18	M5	CORRECTED	2CKT PCB SOLDER TAIL PAD WIDTHS TO 0.66; WAS 0.90
ADDED BALLOON NUMBERS: 17, 18	M4	REMASTERED	DRAWING, ADDED V0 PART NUMBERS TO BOM
REMOVED BALLOON NUMBERS:	M3	ADDED	NOTE ON PAGE 2, LABEL, AND PIN TP
	M1		NX REMASTERING
	REV		

THIS DRAWING CONTAINS INFORMATION THAT IS PROPRIETARY TO MOLEX ELECTRONIC TECHNOLOGIES, LLC AND SHOULD NOT BE USED WITHOUT WRITTEN PERMISSION									
DIMENSION UNITS	SCALE	CURRENT REV DESC:							
mm	5:1								
GENERAL TOLERANCES (UNLESS SPECIFIED)									
ANGULAR TOL	± 1.0°								
4 PLACES	±	EC NO: 664637							
3 PLACES	±	DRWN: TMACHUGA 2021/05/17							
2 PLACES	± 0.1	CHK'D: KHEWITT 2021/05/21							
1 PLACE	± 0.2	APPR: JDUNAJ 2021/05/21							
0 PLACES	±	INITIAL REVISION:							
DRAFT WHERE APPLICABLE MUST REMAIN WITHIN DIMENSIONS		DRAWING		SERIES		MATERIAL NUMBER		CUSTOMER	
		D-SIZE		34912		SD-34912-001		GENERAL MARKET	
						PSD 000		M6	
								SHEET NUMBER	
								1 OF 5	

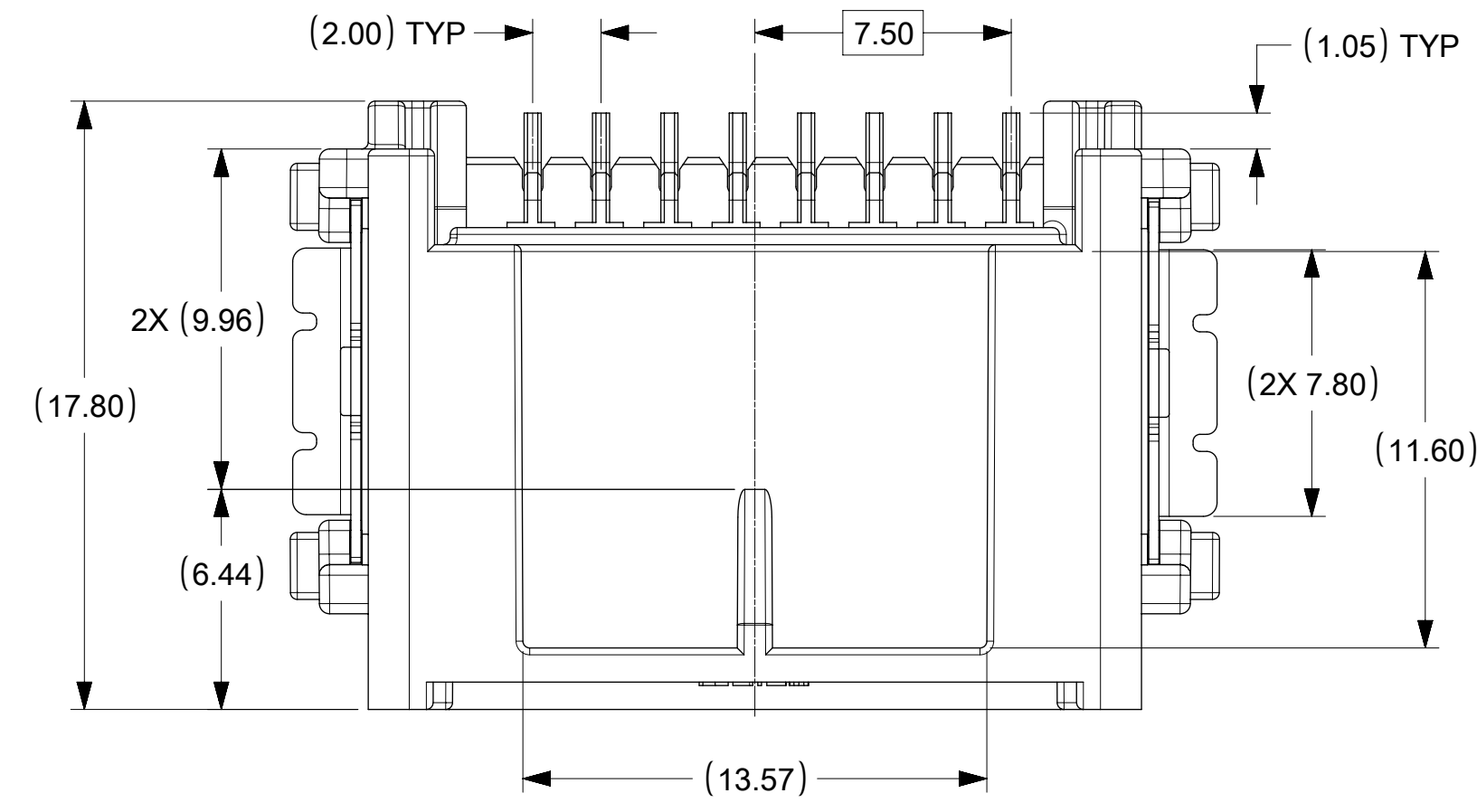
2 CKT SMT HEADER



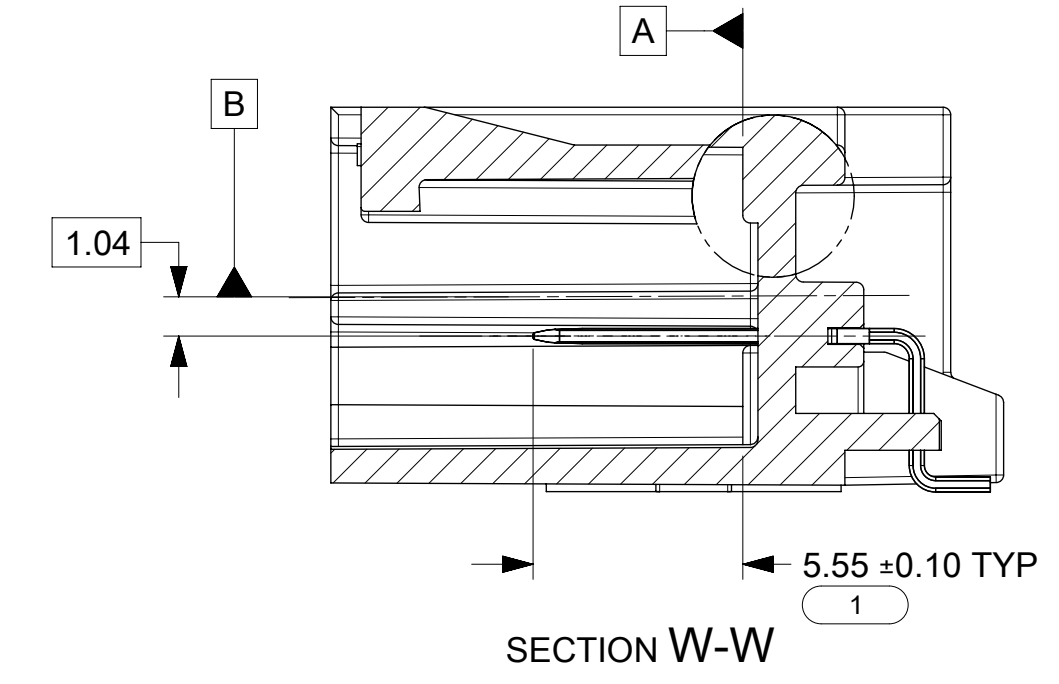
4 CKT SMT HEADER



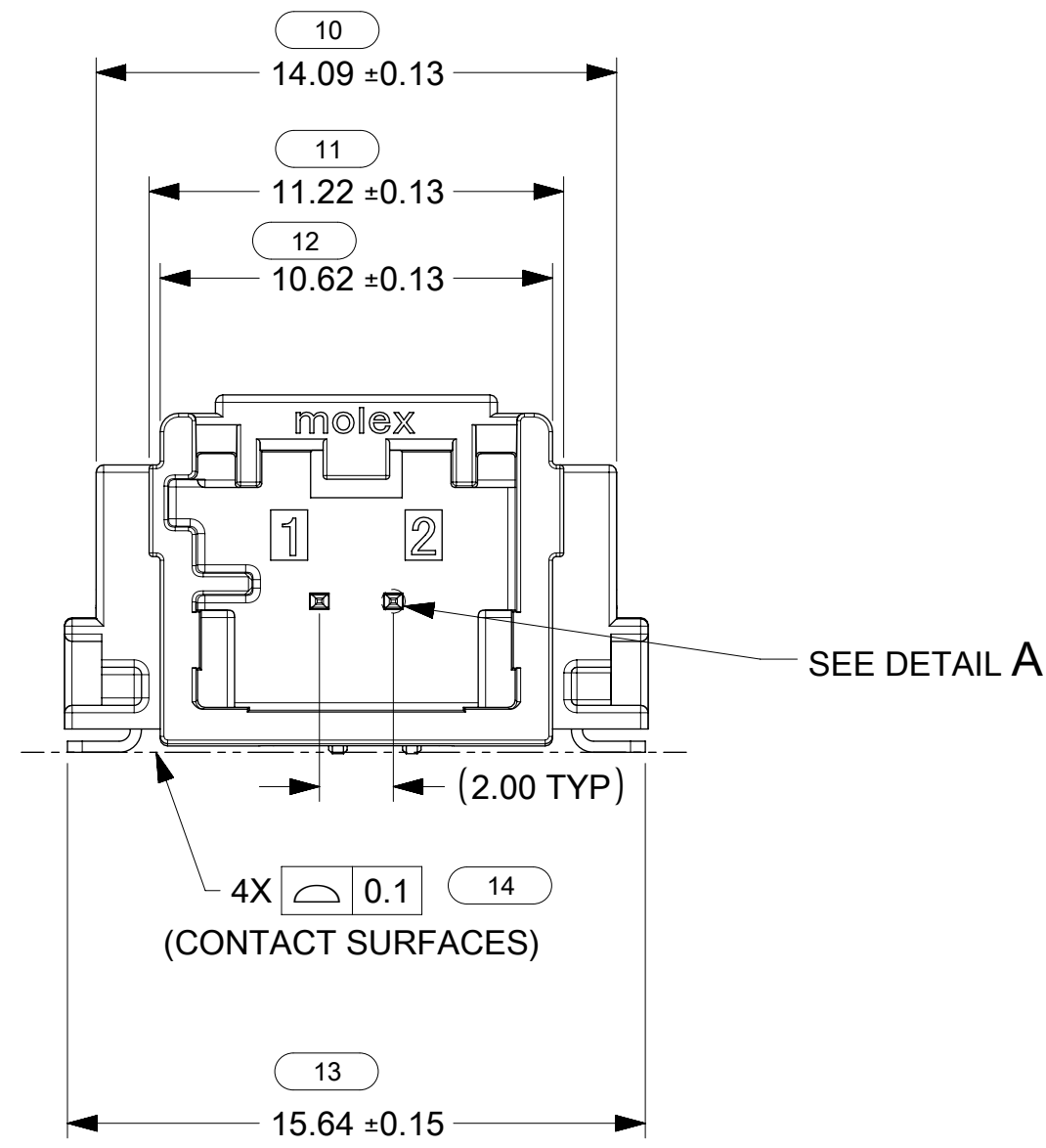
8 CKT SMT HEADER



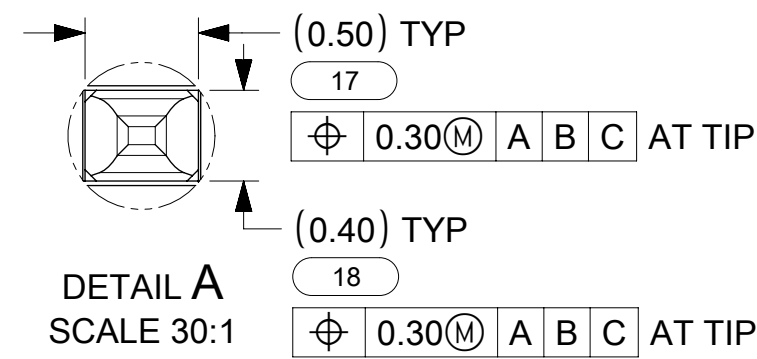
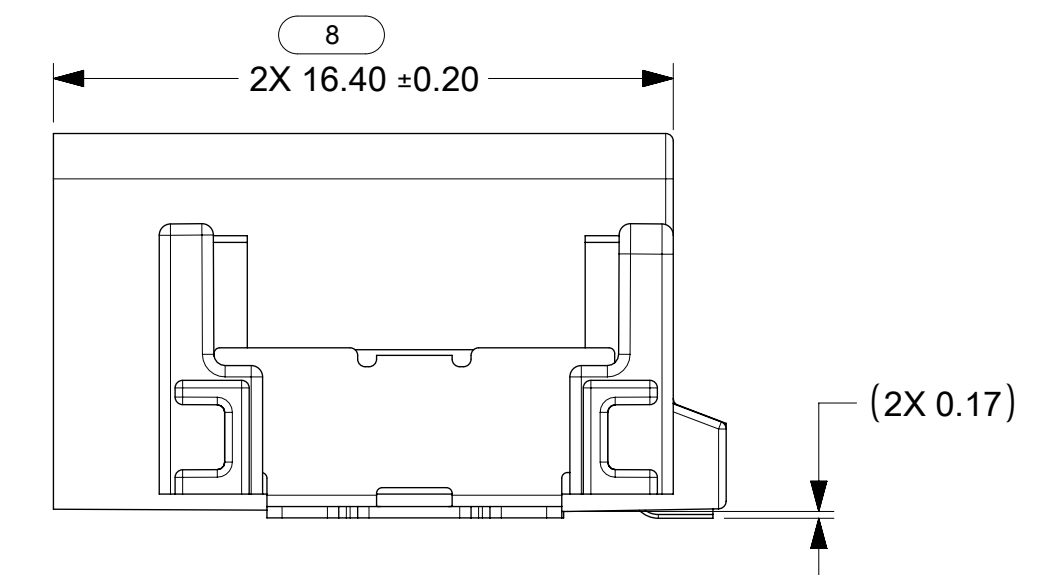
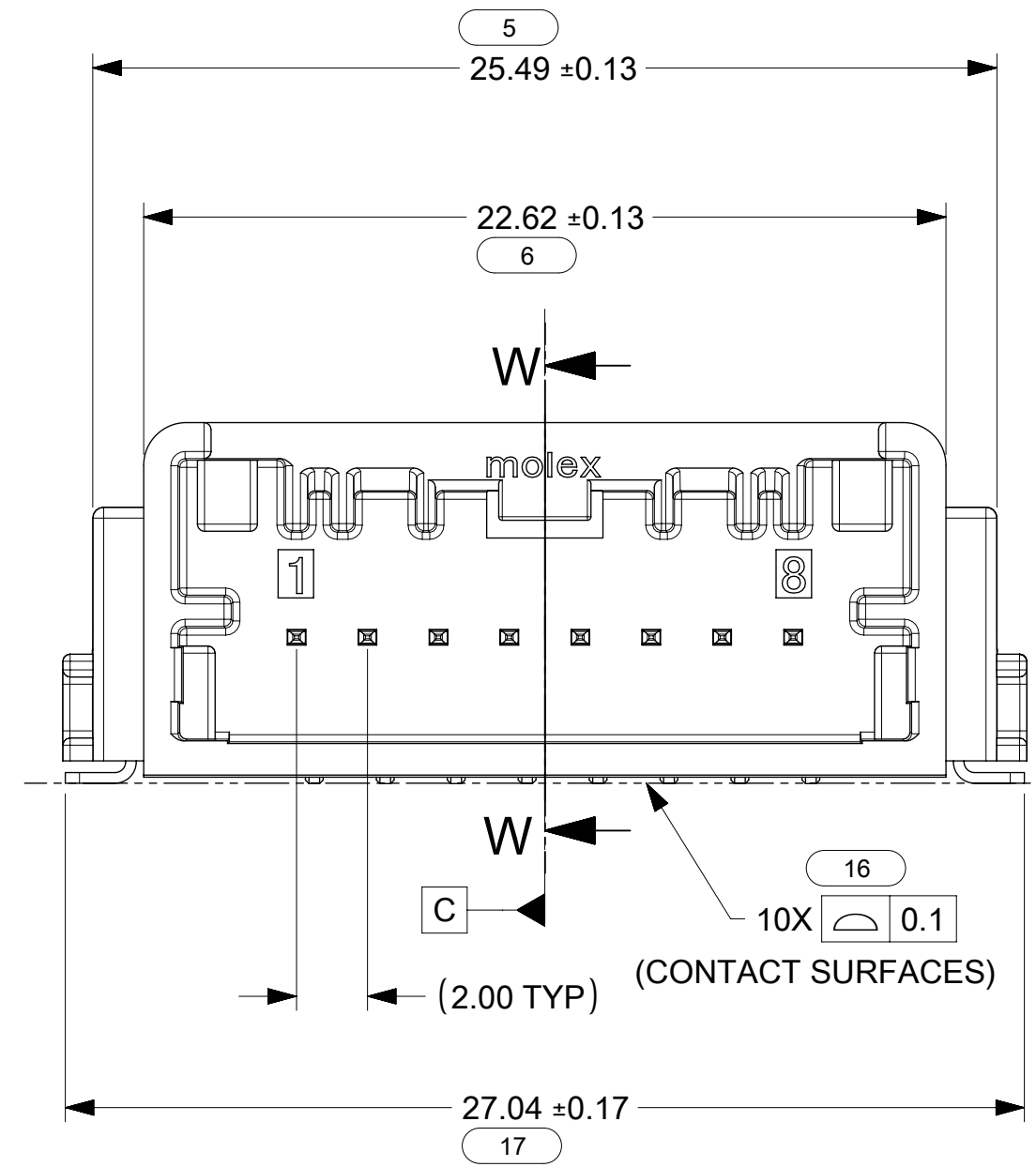
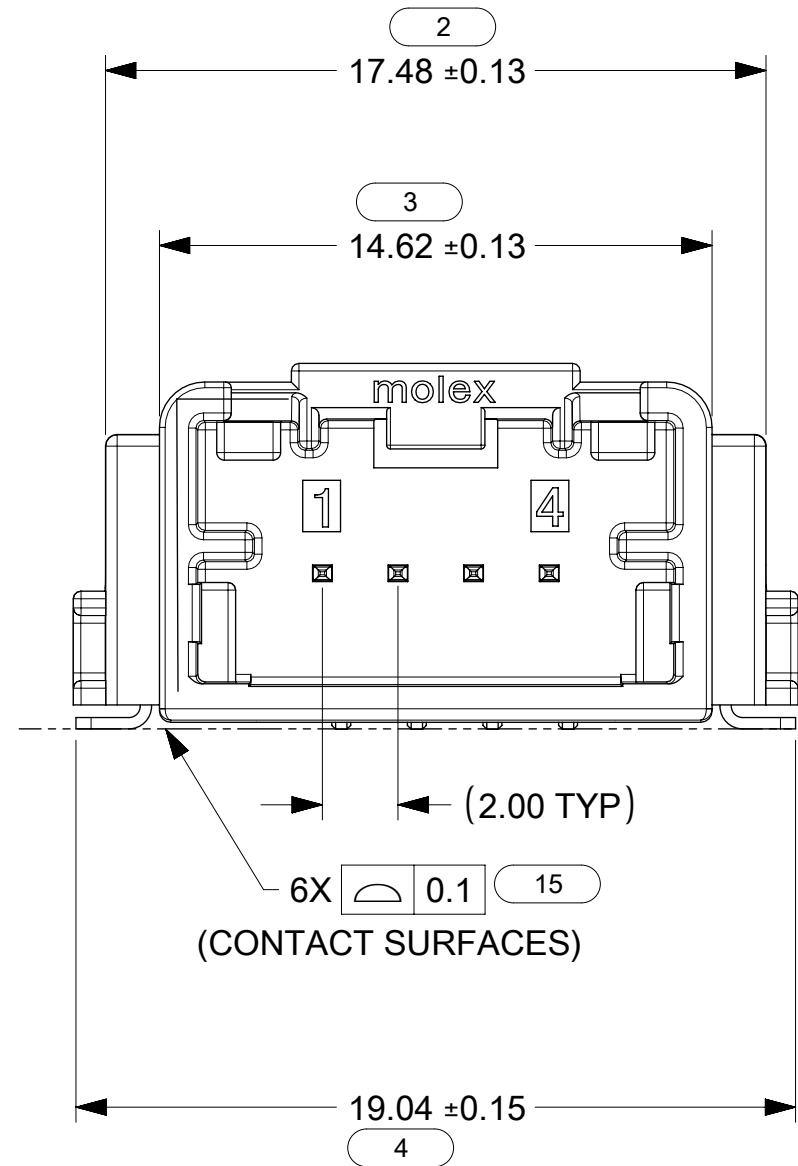
HEADER TO PCB FLUSH MOUNT



NOTE: SIDE VIEW IS SIMILAR FOR ALL CKTS ON THIS DRAWING



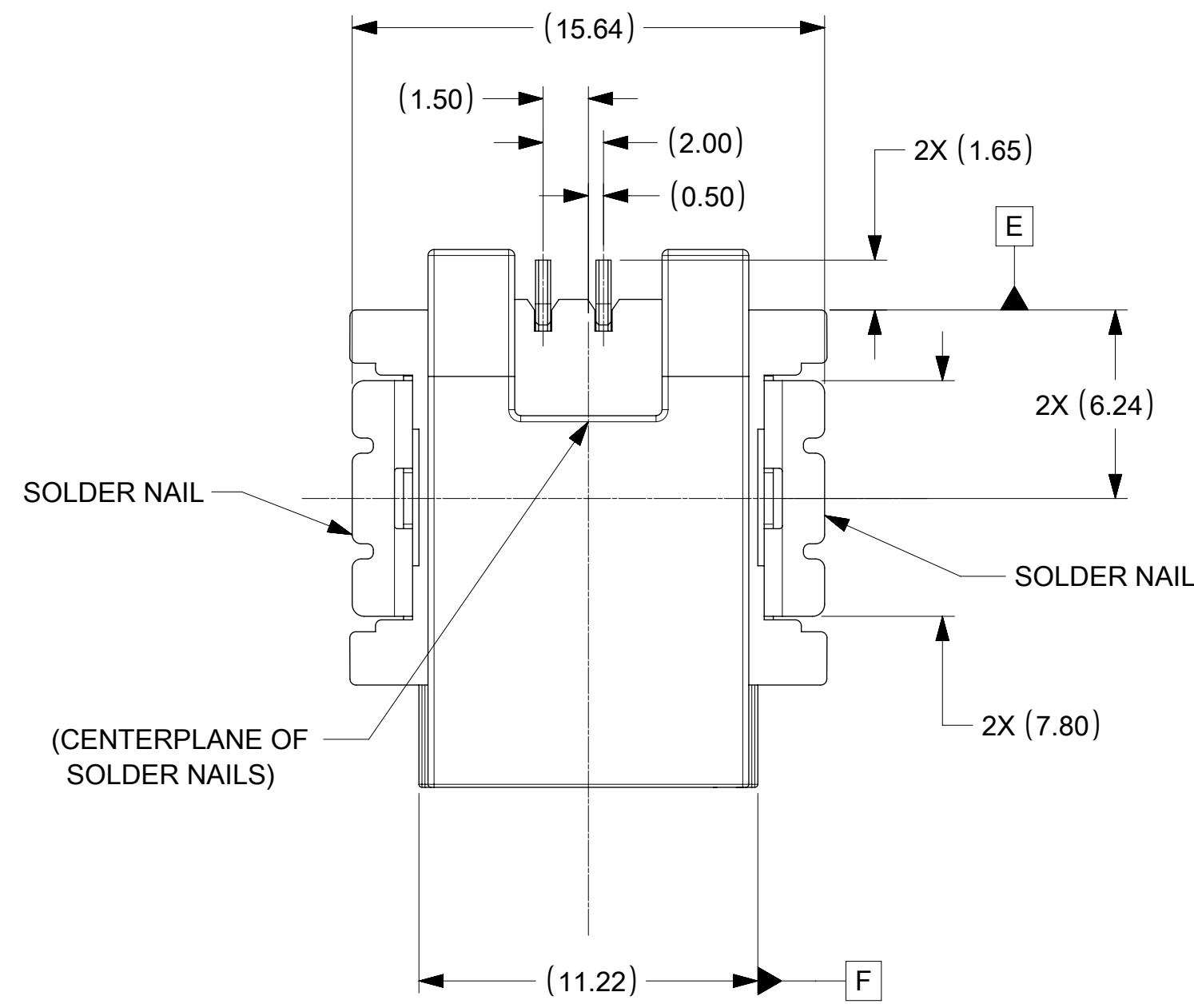
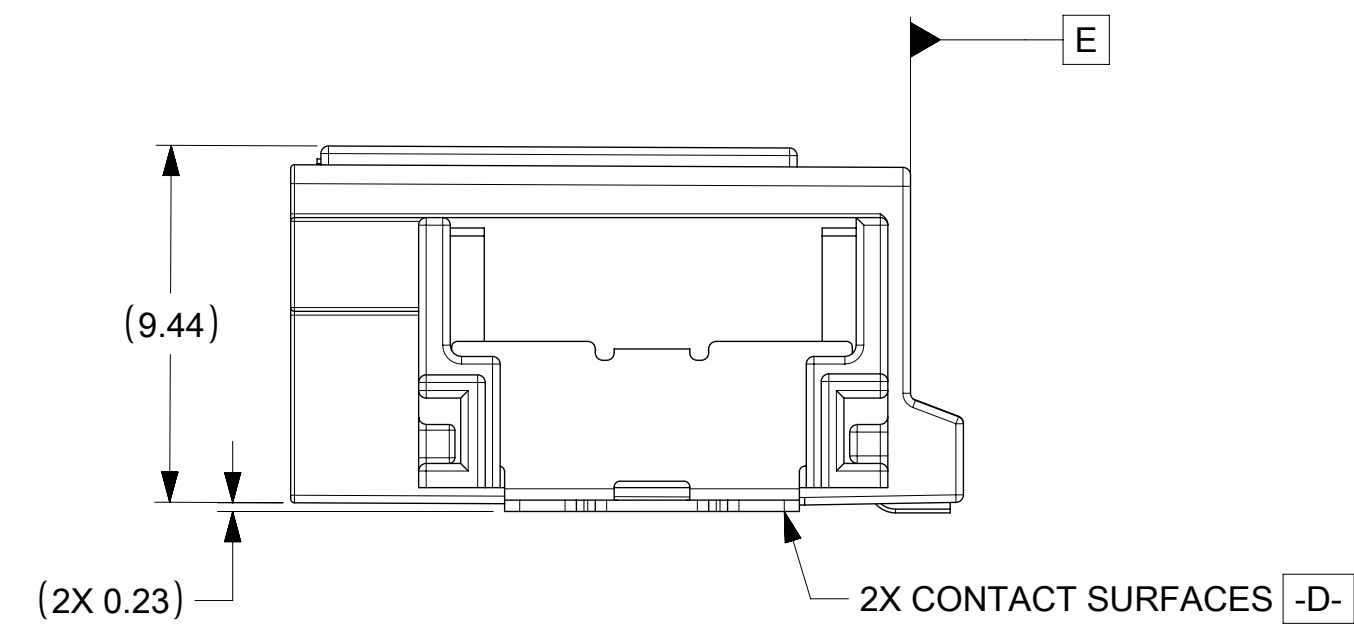
SEE DETAIL A



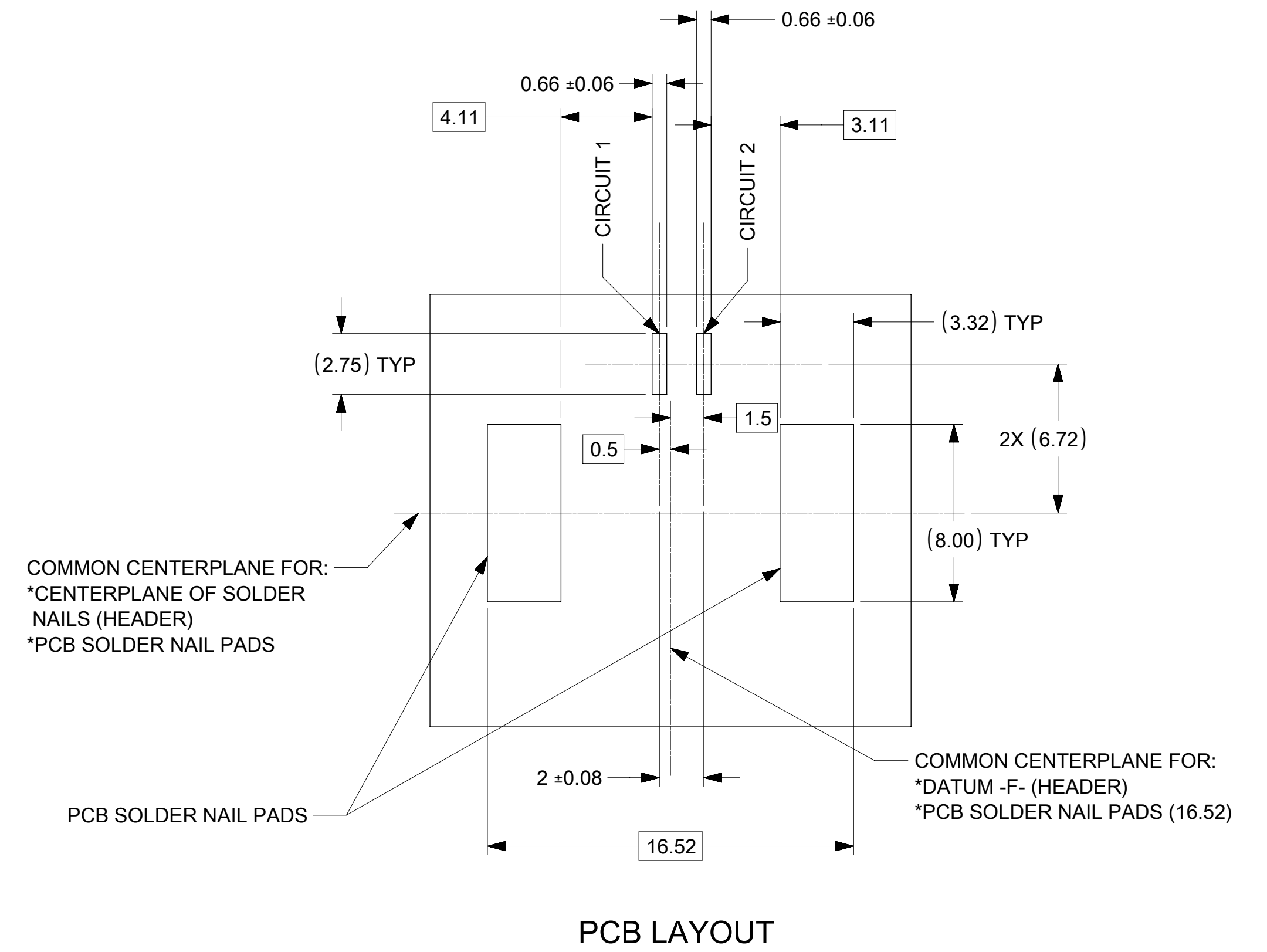
THIS DRAWING CONTAINS INFORMATION THAT IS PROPRIETARY TO MOLEX ELECTRONIC TECHNOLOGIES, LLC AND SHOULD NOT BE USED WITHOUT WRITTEN PERMISSION									
DIMENSION UNITS		SCALE		CURRENT REV DESC:					
mm		5:1							
GENERAL TOLERANCES (UNLESS SPECIFIED)				EC NO: 664637					
ANGULAR TOL ± 1.0°				DRWN: TMACHUGA 2021/05/17					
4 PLACES ±				CHK'D: KHEWITT 2021/05/21					
3 PLACES ±				APPR: JDUNAJ 2021/05/21					
2 PLACES ± 0.1				INITIAL REVISION:					
1 PLACE ± 0.2				DRWN: TMACHUGA 2016/09/20					
0 PLACES ±				APPR: TMACHUGA 2017/02/17					
DRAFT WHERE APPLICABLE MUST REMAIN WITHIN DIMENSIONS		THIRD ANGLE PROJECTION		DRAWING		SERIES		MATERIAL NUMBER	
		D-SIZE		34912		GENERAL MARKET		SHEET NUMBER	
DOCUMENT STATUS				P1		RELEASE DATE		2021/05/21 15:07:06	
SD-34912-001				PSD		000		M6	
2 OF 5									

RECOMMENDED PCB LAYOUT:

2 WAY:



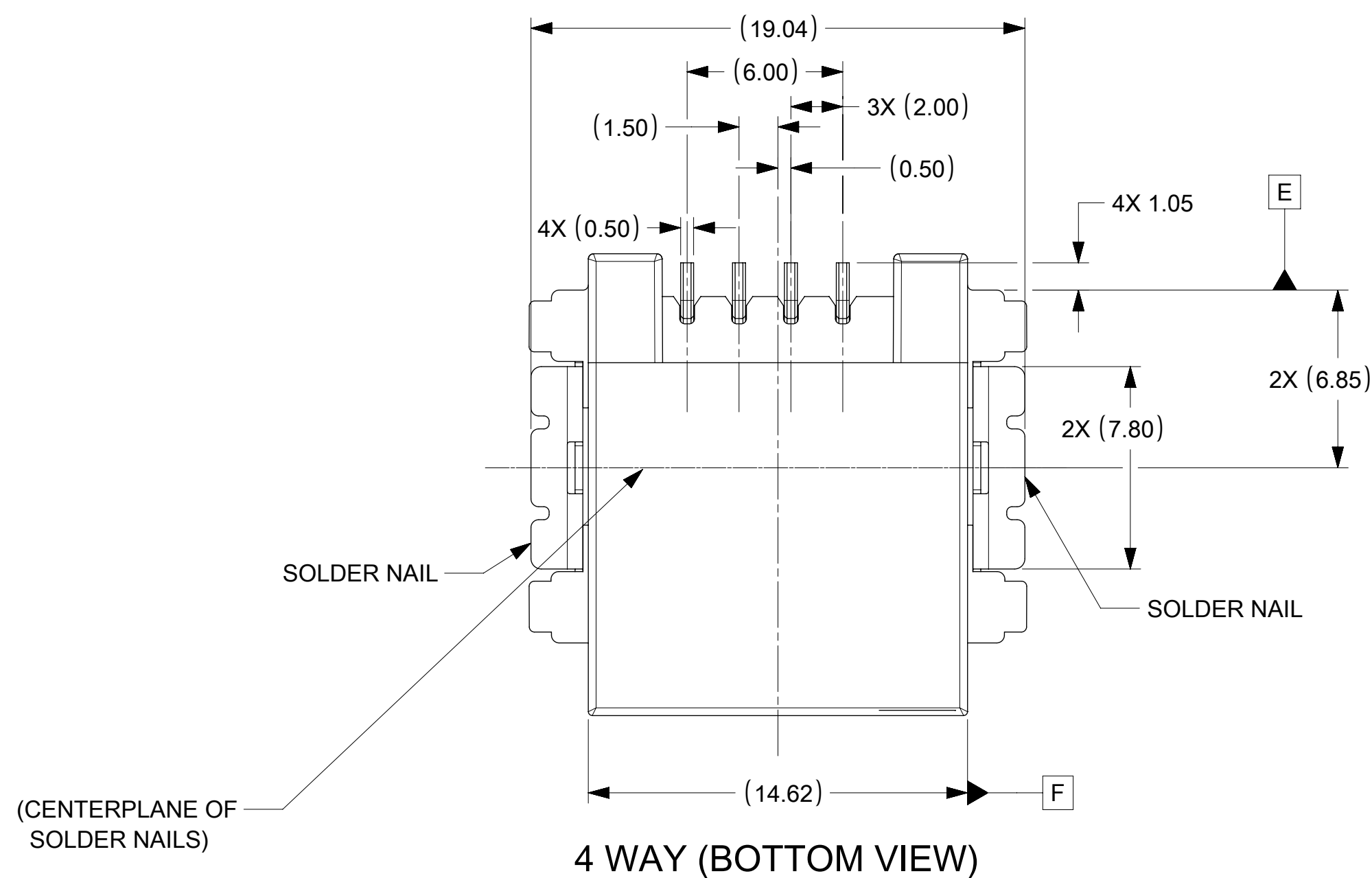
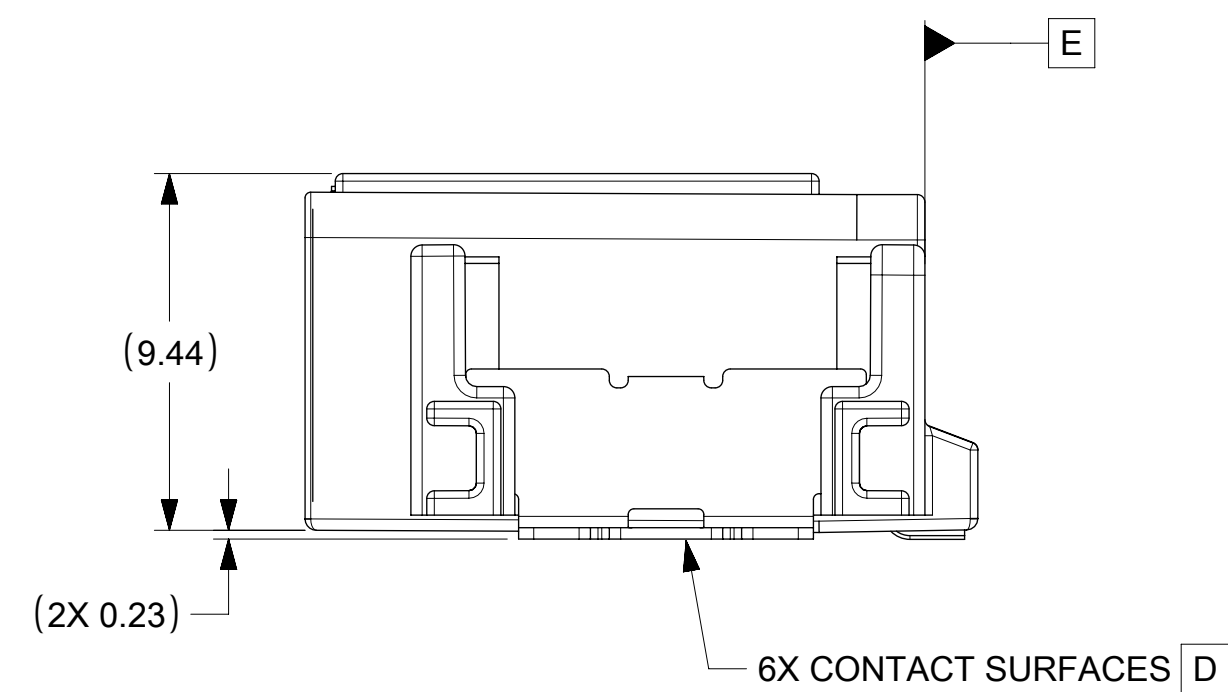
2 WAY (BOTTOM VIEW)



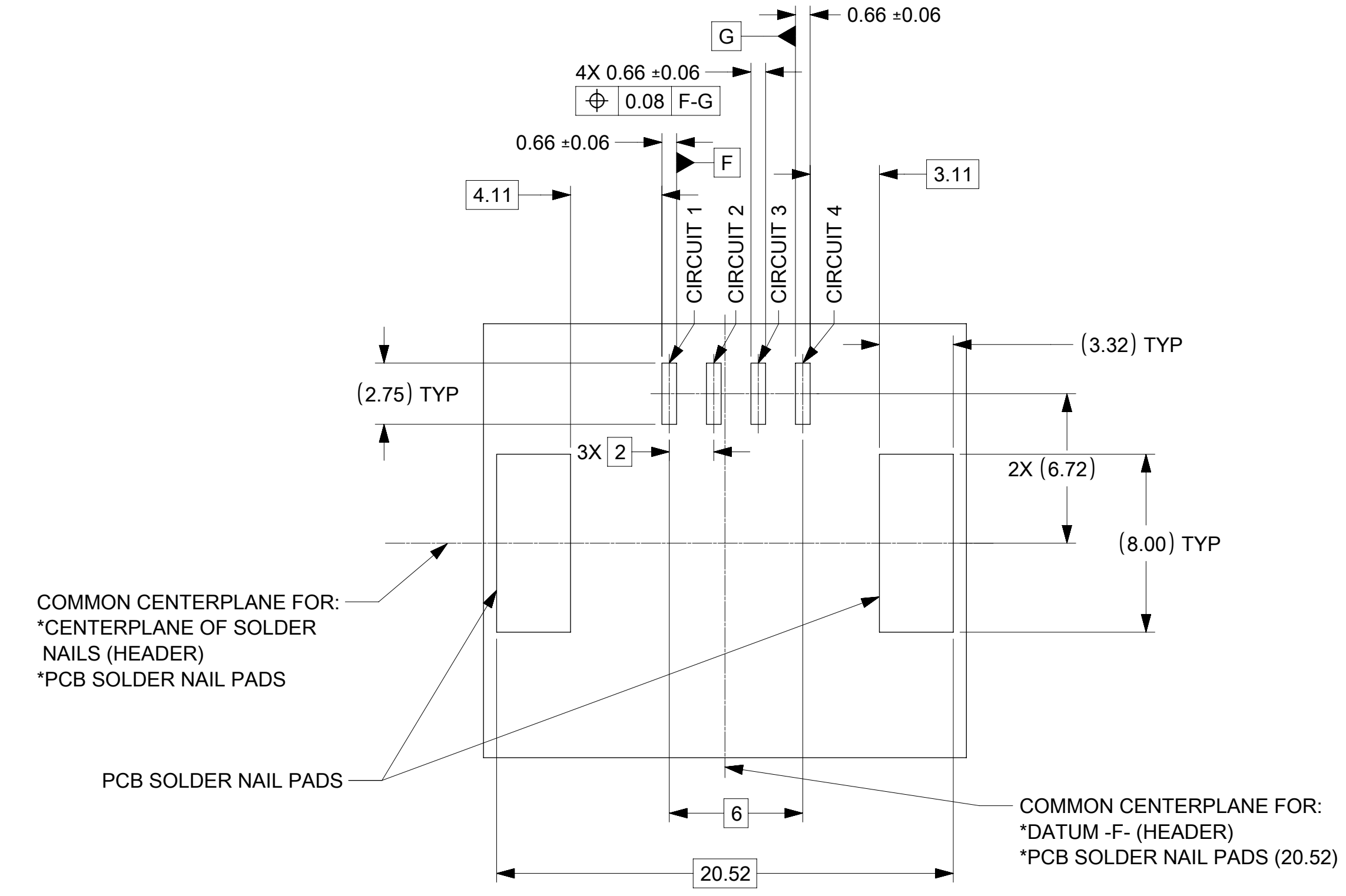
THIS DRAWING CONTAINS INFORMATION THAT IS PROPRIETARY TO MOLEX ELECTRONIC TECHNOLOGIES, LLC AND SHOULD NOT BE USED WITHOUT WRITTEN PERMISSION									
DIMENSION UNITS	SCALE	CURRENT REV DESC:			molex				
mm	5:1								
GENERAL TOLERANCES (UNLESS SPECIFIED)		EC NO: 664637			MINI50 2-8CKT SMT HDR SALES DWG				
ANGULAR TOL	± 1.0°	DRWN: TMACHUGA 2021/05/17			PRODUCT CUSTOMER DRAWING				
4 PLACES	±	CHK'D: KHEWITT 2021/05/21			DOCUMENT NUMBER				
3 PLACES	±	APPR: JDUNAJ 2021/05/21			SD-34912-001				
2 PLACES	± 0.1	INITIAL REVISION:			DOC TYPE				
1 PLACE	± 0.2	DRWN: TMACHUGA 2016/09/20			PSD				
0 PLACES	±	APPR: TMACHUGA 2017/02/17			000				
DRAFT WHERE APPLICABLE MUST REMAIN WITHIN DIMENSIONS		THIRD ANGLE PROJECTION	DRAWING	SERIES	MATERIAL NUMBER		CUSTOMER		SHEET NUMBER
			D-SIZE	34912			GENERAL MARKET		3 OF 5

RECOMMENDED PCB LAYOUT:

4 WAY:



4 WAY (BOTTOM VIEW)

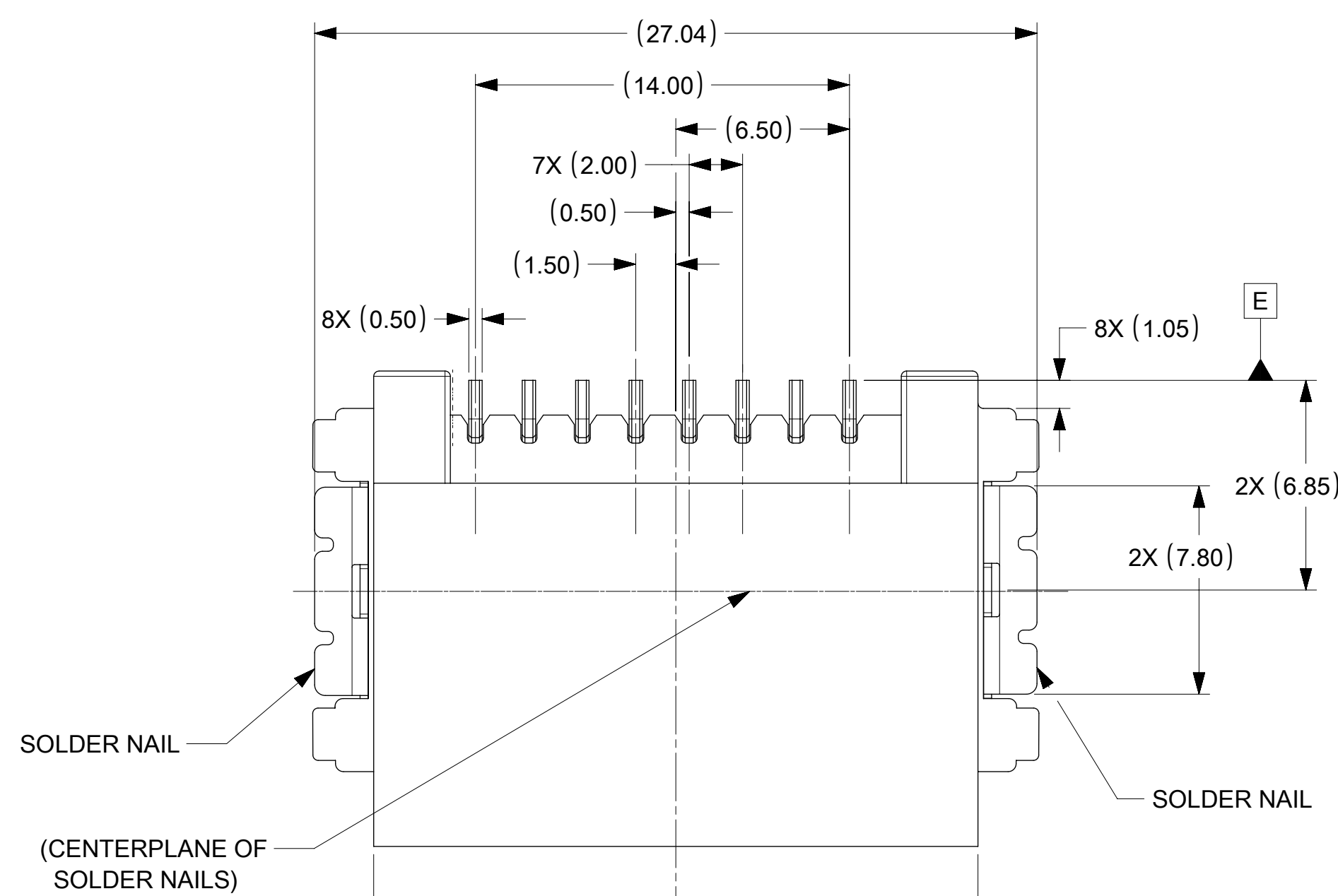
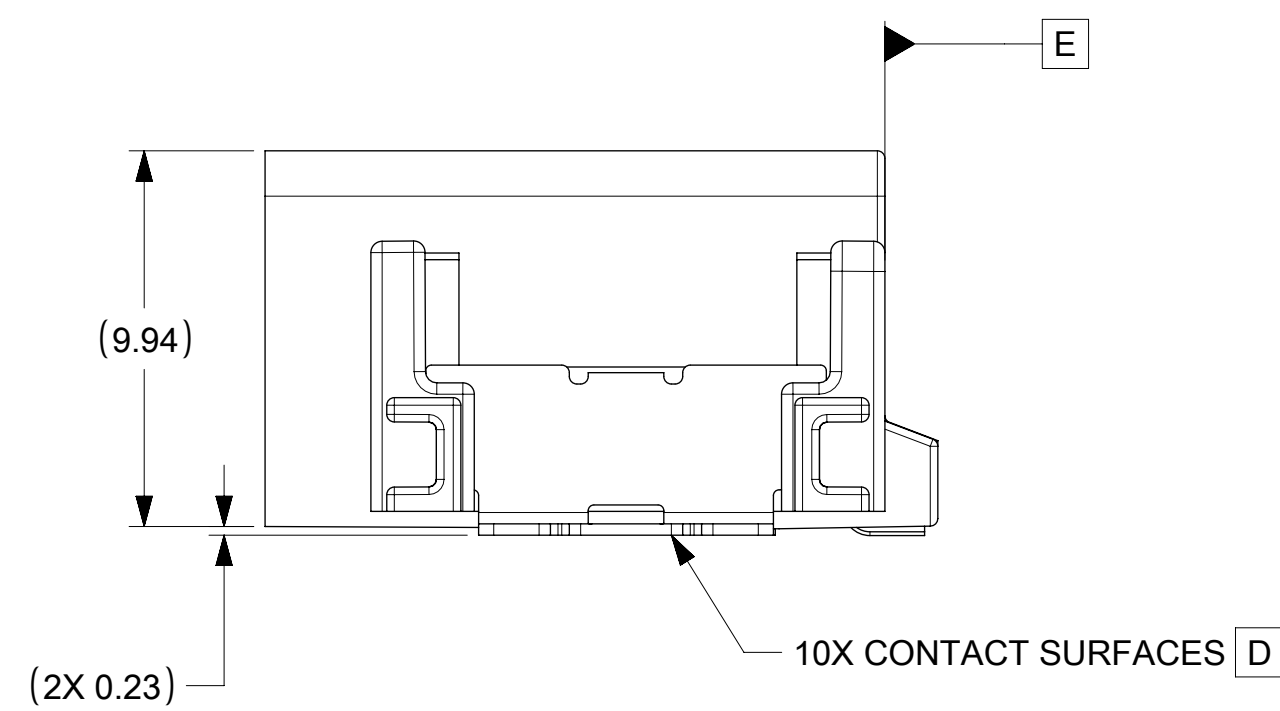


COMMON CENTERPLANE FOR:
 *CENTERPLANE OF SOLDER NAILS (HEADER)
 *PCB SOLDER NAIL PADS

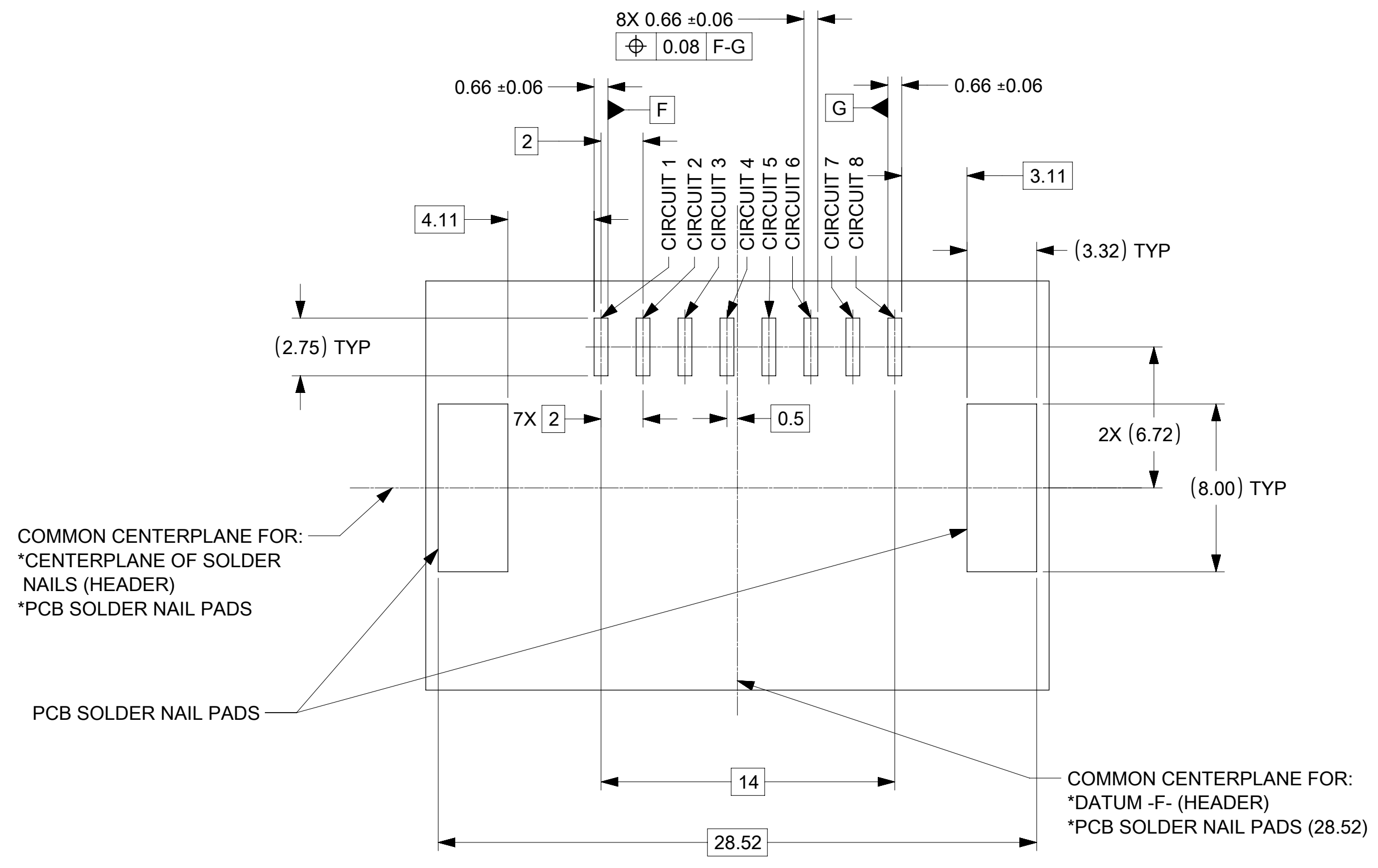
PCB SOLDER NAIL PADS

COMMON CENTERPLANE FOR:
 *DATUM -F- (HEADER)
 *PCB SOLDER NAIL PADS (20.52)

8 WAY:



8 WAY (BOTTOM VIEW)



COMMON CENTERPLANE FOR:
 *CENTERPLANE OF SOLDER NAILS (HEADER)
 *PCB SOLDER NAIL PADS

PCB SOLDER NAIL PADS

COMMON CENTERPLANE FOR:
 *DATUM -F- (HEADER)
 *PCB SOLDER NAIL PADS (28.52)

THIS DRAWING CONTAINS INFORMATION THAT IS PROPRIETARY TO MOLEX ELECTRONIC TECHNOLOGIES, LLC AND SHOULD NOT BE USED WITHOUT WRITTEN PERMISSION

DIMENSION UNITS	SCALE	CURRENT REV DESC:	molex		
mm	5:1				
GENERAL TOLERANCES (UNLESS SPECIFIED)		EC NO: 664637	MINI50 2-8CKT SMT HDR SALES DWG		
ANGULAR TOL	± 1.0°	DRWN: TMACHUGA 2021/05/17	PRODUCT CUSTOMER DRAWING		
4 PLACES	±	CHK'D: KHEWITT 2021/05/21	DOCUMENT NUMBER	DOC TYPE	DOC PART
3 PLACES	±	APPR: JDUNAJ 2021/05/21	SD-34912-001	PSD	000
2 PLACES	± 0.1	INITIAL REVISION:	REVISION	M6	
1 PLACE	± 0.2	DRWN: TMACHUGA 2016/09/20	SHEET NUMBER		
0 PLACES	±	APPR: TMACHUGA 2017/02/17	4 OF 5		
DRAFT WHERE APPLICABLE MUST REMAIN WITHIN DIMENSIONS	THIRD ANGLE PROJECTION	DRAWING	MATERIAL NUMBER	CUSTOMER	SHEET NUMBER
		D-SIZE	34912	GENERAL MARKET	

GOLD:

MINI 50 SMT SINGLE ROW ASSEMBLIES

MATERIAL NUMBER TUBE PACKAGING PK-31301-688	MATERIAL NUMBER TAPE AND REEL PACKAGING PK-31301-786	TOOLED	CIRCUIT	POL	COLOR	BLADE PLATING	MATING COMPONENT	
							UN-BRIDGED	BRIDGED
N/A	34912-6020	NO	2	A	BLACK	GOLD	N/A	34791-0020
N/A	34912-6021	NO	2	B	GREY	GOLD	N/A	34791-0021
N/A	34912-6022	NO	2	C	DARK GRAY	GOLD	N/A	34791-0022
N/A	34912-6023	NO	2	D	GREEN	GOLD	N/A	34791-0023
34912-7040	34912-6040	NO	4	A	BLACK	GOLD	34791-0040	34791-0140
34912-7041	34912-6041	NO	4	B	GREY	GOLD	34791-0041	34791-0141
34912-7042	34912-6042	NO	4	C	DARK GRAY	GOLD	34791-0042	34791-0142
34912-7043	34912-6043	NO	4	D	GREEN	GOLD	34791-0043	34791-0143
34912-7080	34912-6080	NO	8	A	BLACK	GOLD	34791-0080	34791-0180
34912-7081	34912-6081	NO	8	B	GREY	GOLD	34791-0081	34791-0181
34912-7082	34912-6082	NO	8	C	DARK GRAY	GOLD	34791-0082	34791-0182

TIN:

MATERIAL NUMBER TUBE PACKAGING PK-31301-688	MATERIAL NUMBER TAPE AND REEL PACKAGING PK-31301-786	FLAMMABILITY	CIRCUIT	POL	COLOR	BLADE PLATING	MATING COMPONENT	
							UN-BRIDGED	BRIDGED
34912-9020	34912-8020	HB	2	A	BLACK	TIN OVER NICKEL	N/A	34791-0020
34912-9021	34912-8021	HB	2	B	GREY	TIN OVER NICKEL	N/A	34791-0021
34912-9022	34912-8022	HB	2	C	DARK GRAY	TIN OVER NICKEL	N/A	34791-0022
34912-9023	34912-8023	HB	2	D	GREEN	TIN OVER NICKEL	N/A	34791-0023
34912-9040	34912-8040	HB	4	A	BLACK	TIN OVER NICKEL	34791-0040	34791-0140
34912-9041	34912-8041	HB	4	B	GREY	TIN OVER NICKEL	34791-0041	34791-0141
34912-9042	34912-8042	HB	4	C	DARK GRAY	TIN OVER NICKEL	34791-0042	34791-0142
34912-9043	34912-8043	HB	4	D	GREEN	TIN OVER NICKEL	34791-0043	34791-0143
34912-9080	34912-8080	HB	8	A	BLACK	TIN OVER NICKEL	34791-0080	34791-0180
34912-9081	34912-8081	HB	8	B	GREY	TIN OVER NICKEL	34791-0081	34791-0181
34912-9082	34912-8082	HB	8	C	DARK GRAY	TIN OVER NICKEL	34791-0082	34791-0182
2154229080	2154228080	V0	8	A	BLACK	TIN OVER NICKEL	34791-0080	34791-0180
2154229081	2154228081	V0	8	B	GREY	TIN OVER NICKEL	34791-0081	34791-0181
2154229082	2154228082	V0	8	C	DARK GRAY	TIN OVER NICKEL	34791-0082	34791-0182

THIS DRAWING CONTAINS INFORMATION THAT IS PROPRIETARY TO MOLEX ELECTRONIC TECHNOLOGIES, LLC AND SHOULD NOT BE USED WITHOUT WRITTEN PERMISSION									
DIMENSION UNITS mm		SCALE 1:1		CURRENT REV DESC:				molex	
GENERAL TOLERANCES (UNLESS SPECIFIED)				EC NO: 664637					
ANGULAR TOL ± 1.0°		4 PLACES ±		DRWN: TMACHUGA 2021/05/17				MINI50 2-8CKT SMT HDR SALES DWG	
3 PLACES ±		2 PLACES ± 0.1		CHK'D: KHEWITT 2021/05/21					
1 PLACE ± 0.2		0 PLACES ±		APPR: JDUNAJ 2021/05/21				PRODUCT CUSTOMER DRAWING	
DRAFT WHERE APPLICABLE MUST REMAIN WITHIN DIMENSIONS				THIRD ANGLE PROJECTION		DRAWING D-SIZE		SERIES 34912	
DOCUMENT STATUS P1		RELEASE DATE 2021/05/21 15:07:06		DOCUMENT NUMBER SD-34912-001		DOC TYPE PSD		DOC PART 000	
				MATERIAL NUMBER GENERAL MARKET		REVISION M6		SHEET NUMBER 5 OF 5	