



产品编号 : 350220005

系列号 : 35022

Product Category : Connector Housings

Product Description : 2.50mm Pitch, Board-In Crimp Housing, Right-Angle and Vertical, 5 Circuits, Natural

状态 : Active

---

## 文件和资源

### 图纸

图纸 350220005\_sd.pdf

### 3D 模型和设计文件

3D模型 350220005\_stp.zip

### 规格

包装规格 PK-35022-001-001.pdf


产品规格 PS-35021-001-001.pdf

产品规格 PS-35022-003-001.pdf

---

## 产物环境合规

### 合规

GADSL/IMDS	Not Relevant
China RoHS	
EU ELV	Compliant per 2000/53/EC
Low-Halogen Status	Low-Halogen per IEC 61249-2-21
REACH SVHC	Not Contained per D(2023)8585-DC (23 Jan 2024)
EU RoHS	Compliant per EU 2015/863

### 多部分产品合规性声明

- Eu RoHS
- REACH SVHC
- Low-Halogen
  
- IPC 1752A Class C
- IPC 1752A Class D
- Molex Product Compliance Declaration
- IEC-62474

## 产品详情

### 常规

状态	活动
类别	Connector Housings
系列	35022
说明	2.50mm Pitch, Board-In Crimp Housing, Right-Angle and Vertical, 5 Circuits, Natural
应用	Signal
产品系列	Board-in Connectors
产品名称	Board-in
UPC	800753576940

### 机构

CSA	LR19980
UL	E29179

### 物理

电路数（最多）	5
颜色-树脂	Natural
阻燃性	94V-0
性别	不适用
符合灼热丝规范	否
锁定插接部位	无
材料 - 树脂	Nylon
净重	0.140/g
行数	1
包装形式	Bag
面板安装式	否
间距 - 插配接口	2.50mm
可堆叠的	否
运行温度范围	-40° to +105° C

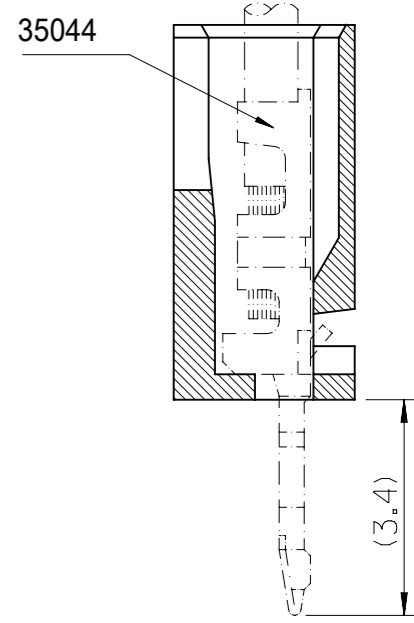
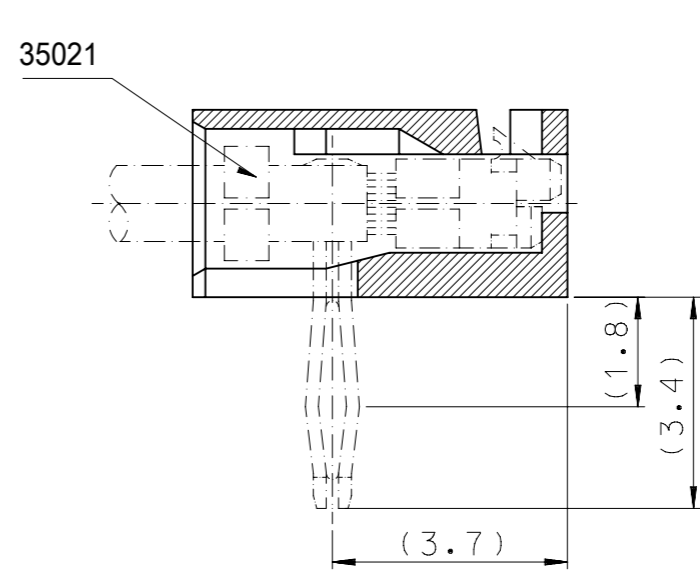
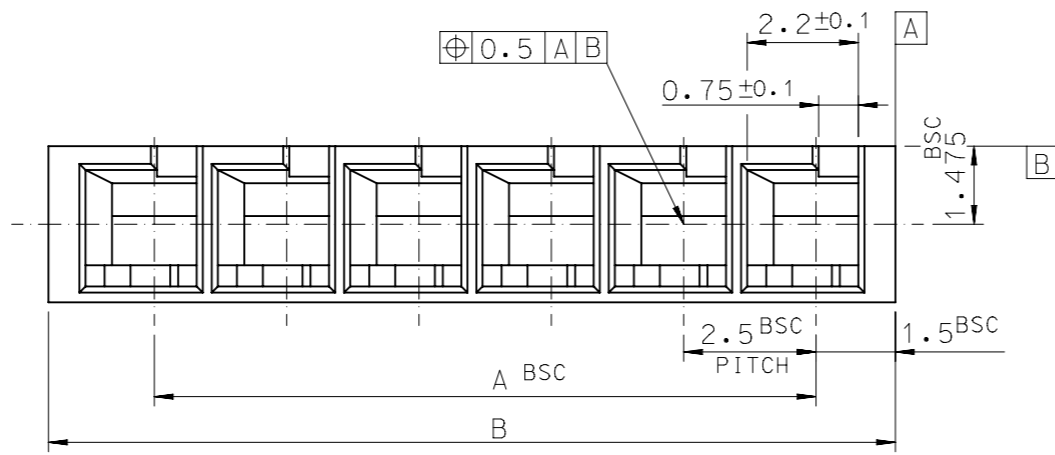
## 进程

无铅	不适用
----	-----

---

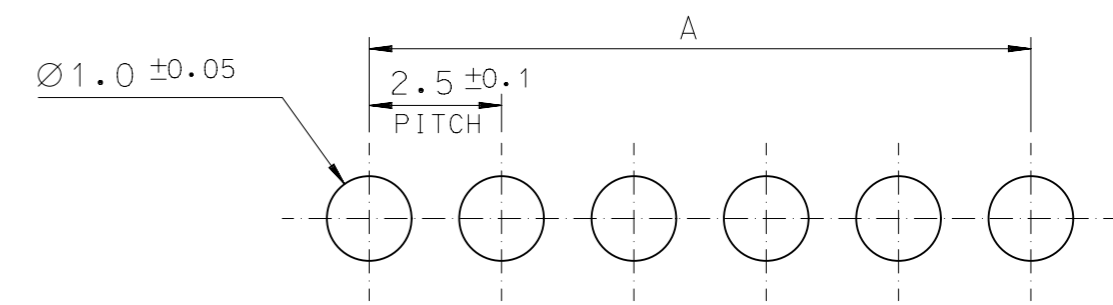
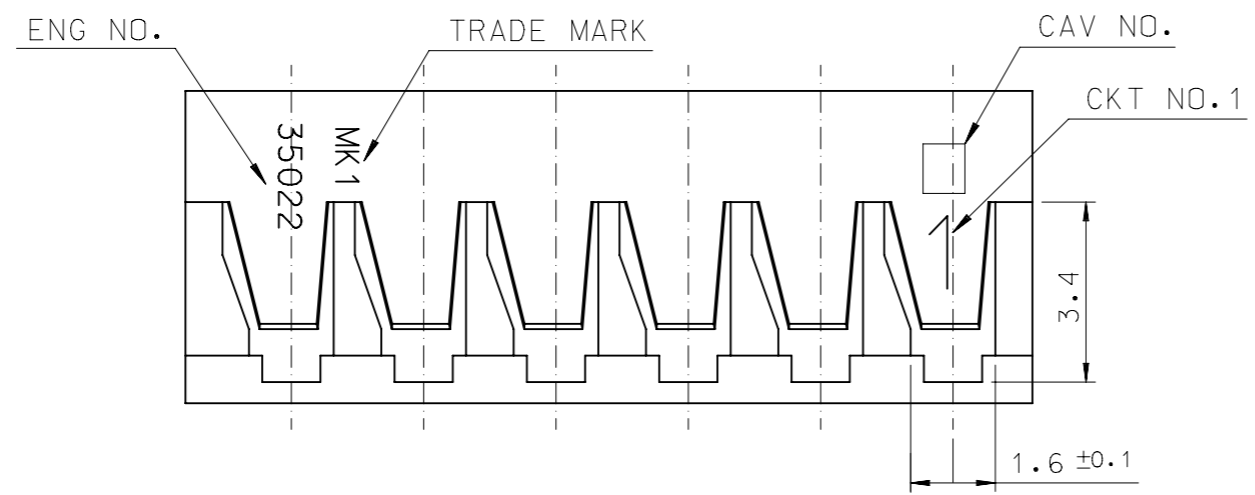
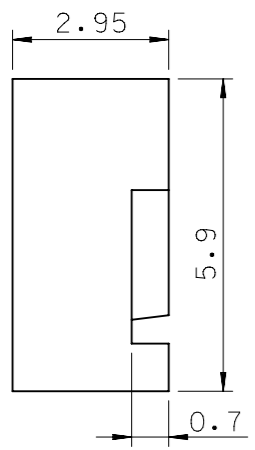
## 可连接使用部件

描述	产品编号
2.50mm Pitch, Board-in Male Crimp Terminal, Right-Angle, Brass Tin (Sn) Plating, 22-28 AWG, Reel	<a href="/content/molex/molex-dot-com/cn/zh/products/product-page.html/350211001.html">/content/molex/molex-dot-com/cn/zh/products/product-page.html/350211001.html</a>
2.50mm Pitch, Board-in Male Crimp Terminal, Right-Angle, Tin (Sn) Plating, 22-28 AWG, Reel	<a href="/content/molex/molex-dot-com/cn/zh/products/product-page.html/350211160.html">/content/molex/molex-dot-com/cn/zh/products/product-page.html/350211160.html</a>

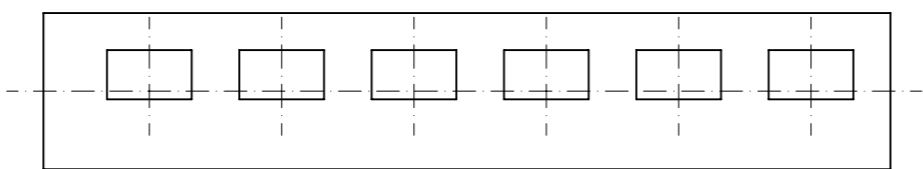


RIGHT ANGLE TYPE

STRAIGHT TYPE



P.C. BOARD LAY OUT  
(THK.: 1.6+)



- NOTE.**
- MATERIAL : PA66,UL94V-0  
COLOR : IVORY ①
  - PRODUCT SPECIFICATION : PS-35022-003
  - PACKAGING SPECIFICATION : PK-35022-001
  - APPLICABLE TERMINAL
    - R/A : 35021 - 1001/1160
    - ST : 35044 - 9104/9105

				23.5	20.0	-0009	9
41.0	37.5	35022-0016	16	21.0	17.5	-0008	8
38.5	35.0	-0015	15	18.5	15.0	-0007	7
36.0	32.5	-0014	14	16.0	12.5	-0006	6
33.5	30.0	-0013	13	13.5	10.0	-0005	5
31.0	27.5	-0012	12	11.0	7.5	-0004	4
28.5	25.0	-0011	11	8.5	5.0	-0003	3
26.0	22.5	-0010	10	6.0	2.5	35022-0002	2
B	A	ENG NO.	CKT NO.	B	A	ENG NO.	CKT NO.

FUNCTIONAL SYMBOLS $\nabla/A = 0$ $\nabla/E = 0$ $\nabla/P = 0$ DIVISIONAL SYMBOLS	THIS DRAWING CONTAINS INFORMATION THAT IS PROPRIETARY TO MOLEX ELECTRONIC TECHNOLOGIES, LLC AND SHOULD NOT BE USED WITHOUT WRITTEN PERMISSION	SCALE 1:1	CURRENT REV DESC:							
	GENERAL TOLERANCES (UNLESS SPECIFIED)	4 PLACES ±	EC NO: 637044	2020/05/06						
	ANGULAR TOL ± 1.0°	3 PLACES ± 0.3	DRWN: SCHONG03	2020/05/07						
	2 PLACES ± 0.3	1 PLACE ± 0.3	APP: YUNSIKKIM	2020/05/12						
0 PLACES ±	DRAFT WHERE APPLICABLE MUST REMAIN WITHIN DIMENSIONS	THIRD ANGLE PROJECTION	DRAWING	SERIES	MATERIAL NUMBER	CUSTOMER	DOCUMENT NUMBER	DOC TYPE	DOC PART	REVISION
			A3-SIZE	35022	35022	GENERAL MARKET	SD-35022-00XX	PSD	001	J1
										1 OF 1