



产品编号 : 350220008

系列号 : 35022

Product Category : Connector Housings

Product Description : 2.50mm Pitch, Board-In Crimp Housing, Right-Angle and Vertical, 8 Circuits, Natural

状态 : Active

文件和资源

图纸

图纸 350220008_sd.pdf

3D 模型和设计文件

3D模型 350220008_stp.zip

规格


包装规格 PK-35022-001-001.pdf

产品规格 PS-35021-001-001.pdf

产品规格 PS-35022-003-001.pdf

产物环境合规

合规

GADSL/IMDS	Not Relevant
China RoHS	
EU ELV	Compliant per 2000/53/EC
Low-Halogen Status	Low-Halogen per IEC 61249-2-21
REACH SVHC	Not Contained per D(2023)8585-DC (23 Jan 2024)
EU RoHS	Compliant per EU 2015/863

多部分产品合规性声明

- Eu RoHS
- REACH SVHC
- Low-Halogen

- IPC 1752A Class C
- IPC 1752A Class D
- Molex Product Compliance Declaration
- IEC-62474

产品详情

常规

状态	活动
类别	Connector Housings
系列	35022
说明	2.50mm Pitch, Board-In Crimp Housing, Right-Angle and Vertical, 8 Circuits, Natural
应用	Signal
产品系列	Board-in Connectors
产品名称	Board-in
UPC	800753876644

机构

CSA	LR19980
UL	E29179

物理

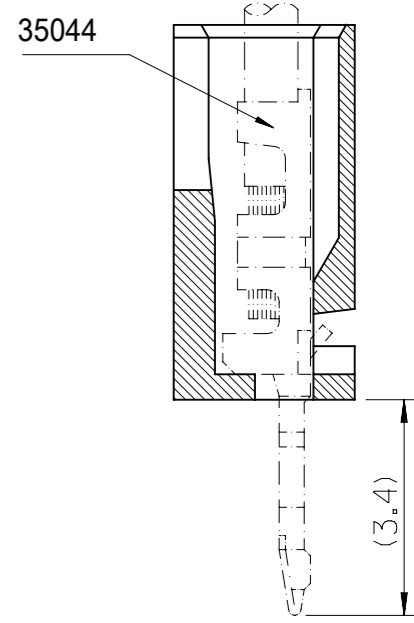
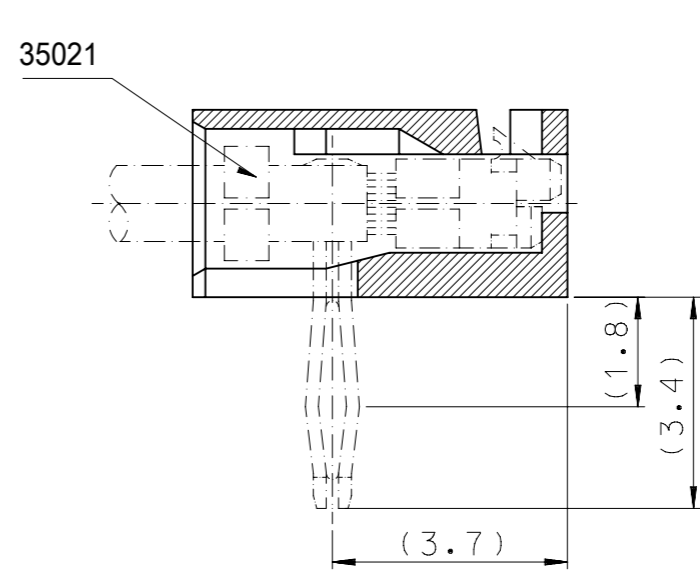
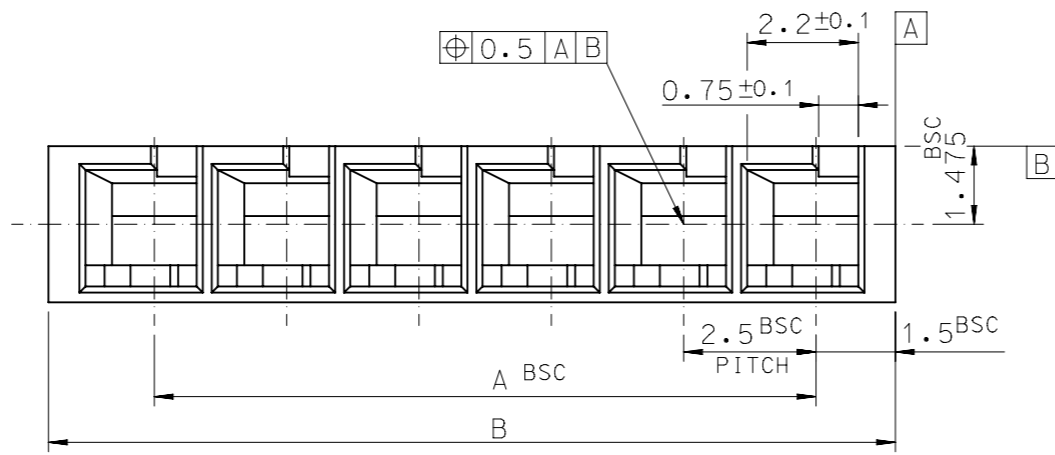
电路数（最多）	8
颜色-树脂	Natural
阻燃性	94V-0
性别	不适用
符合灼热丝规范	否
锁定插接部位	无
材料 - 树脂	Nylon
净重	0.200/g
行数	1
包装形式	Bag
面板安装式	否
间距 - 插配接口	2.50mm
可堆叠的	否
运行温度范围	-40° to +105° C

进程

无铅	不适用
----	-----

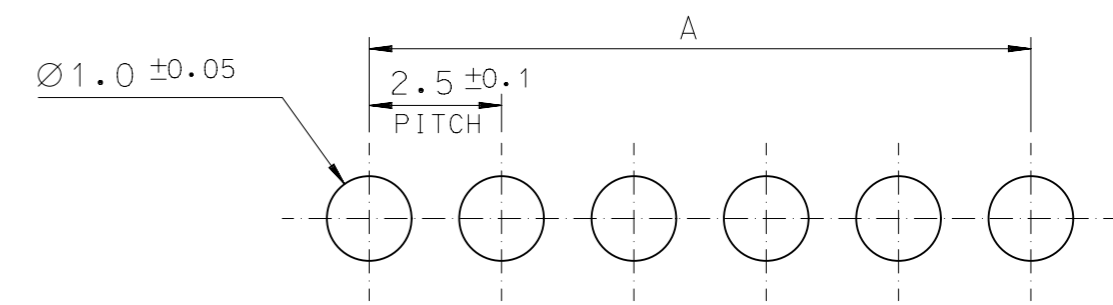
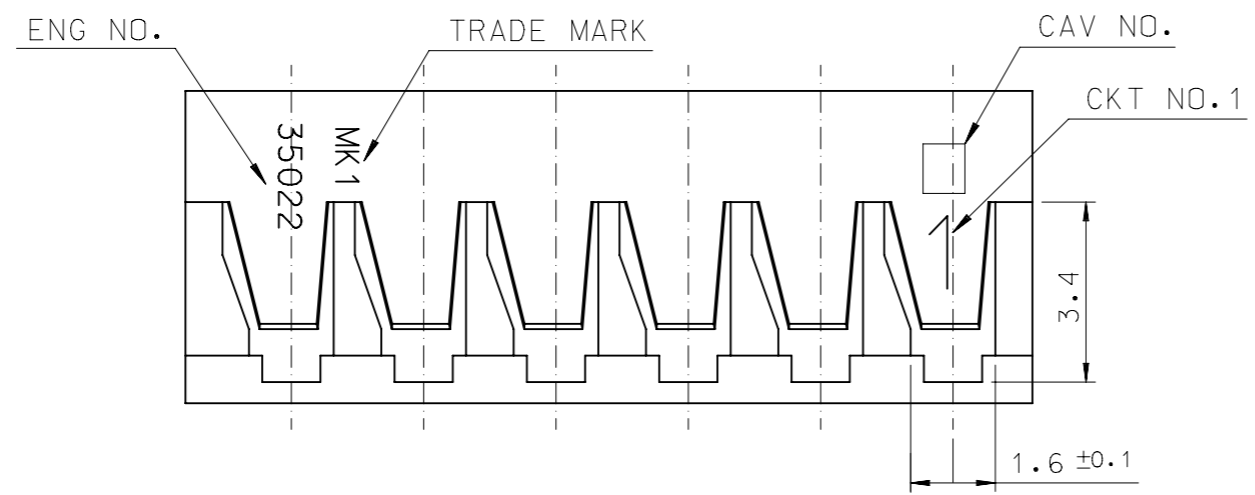
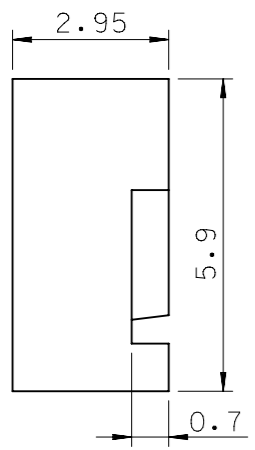
可连接使用部件

描述	产品编号
2.50mm Pitch, Board-in Male Crimp Terminal, Right-Angle, Brass Tin (Sn) Plating, 22-28 AWG, Reel	/content/molex/molex-dot-com/cn/zh/products/product-page.html/350211001.html
2.50mm Pitch, Board-in Male Crimp Terminal, Right-Angle, Tin (Sn) Plating, 22-28 AWG, Reel	/content/molex/molex-dot-com/cn/zh/products/product-page.html/350211160.html

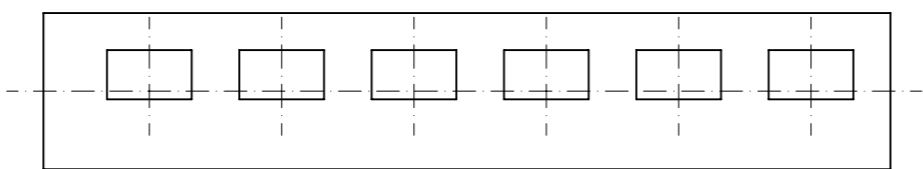


RIGHT ANGLE TYPE

STRAIGHT TYPE



P.C. BOARD LAY OUT
(THK.: 1.6+)



- NOTE.**
- MATERIAL : PA66,UL94V-0
COLOR : IVORY ①
 - PRODUCT SPECIFICATION : PS-35022-003
 - PACKAGING SPECIFICATION : PK-35022-001
 - APPLICABLE TERMINAL
 - R/A : 35021 - 1001/1160
 - ST : 35044 - 9104/9105

				23.5	20.0	-0009	9
41.0	37.5	35022-0016	16	21.0	17.5	-0008	8
38.5	35.0	-0015	15	18.5	15.0	-0007	7
36.0	32.5	-0014	14	16.0	12.5	-0006	6
33.5	30.0	-0013	13	13.5	10.0	-0005	5
31.0	27.5	-0012	12	11.0	7.5	-0004	4
28.5	25.0	-0011	11	8.5	5.0	-0003	3
26.0	22.5	-0010	10	6.0	2.5	35022-0002	2
B	A	ENG NO.	CKT NO.	B	A	ENG NO.	CKT NO.

FUNCTIONAL SYMBOLS	THIS DRAWING CONTAINS INFORMATION THAT IS PROPRIETARY TO MOLEX ELECTRONIC TECHNOLOGIES, LLC AND SHOULD NOT BE USED WITHOUT WRITTEN PERMISSION	CURRENT REV DESC:		molex
	DIMENSION UNITS: mm SCALE: 1:1 GENERAL TOLERANCES (UNLESS SPECIFIED): ANGULAR TOL ± 1.0° 4 PLACES ± 3 PLACES ± 0.3 2 PLACES ± 0.3 1 PLACE ± 0.3 0 PLACES ±	EC NO: 637044 DRWN: SCHONG03 CHK'D: JBJIN APPR: JBJIN	2020/05/06 2020/05/07 2020/05/12	
DIVISIONAL SYMBOLS	DRAFT WHERE APPLICABLE MUST REMAIN WITHIN DIMENSIONS THIRD ANGLE PROJECTION	DRAWING: A3-SIZE SERIES: 35022	MATERIAL NUMBER: 35022 CUSTOMER: GENERAL MARKET	DOCUMENT NUMBER: SD-35022-00XX DOC TYPE: PSD DOC PART: 001 REVISION: J1
SHEET NUMBER: 1 OF 1		SHEET NUMBER: 1 OF 1		