



产品编号 : 350220013

系列号 : 35022

Product Category : Connector Housings

Product Description : 2.50mm Pitch, Board-In Crimp Housing, Right-Angle and Vertical, 13 Circuits, Natural

状态 : Active

---

## 文件和资源

### 图纸

图纸 350220013\_sd.pdf

### 3D 模型和设计文件

3D模型 350220013\_stp.zip

### 规格

包装规格 PK-35022-001-001.pdf


产品规格 PS-35021-001-001.pdf

产品规格 PS-35022-003-001.pdf

---

## 产物环境合规

### 合规

|                    |   |
|--------------------|---|
| GADSL/IMDS         | Not Relevant  |
| China RoHS         |  |
| EU ELV             | Not Relevant  |
| Low-Halogen Status | Low-Halogen per IEC 61249-2-21  |
| REACH SVHC         | Not Contained per D(2023)8585-DC (23 Jan 2024)  |
| EU RoHS            | Compliant per EU 2015/863   |

### 多部分产品合规性声明

- Eu RoHS
- REACH SVHC
- Low-Halogen
  
- IPC 1752A Class C
- IPC 1752A Class D
- Molex Product Compliance Declaration
- IEC-62474

## 产品详情

### 常规

|      |  |
|------|--|
| 状态   | 活动   |
| 类别   | Connector Housings   |
| 系列   | 35022  |
| 说明   | 2.50mm Pitch, Board-In Crimp Housing, Right-Angle and Vertical, 13 Circuits, Natural |
| 应用   | Signal   |
| 产品系列 | Board-in Connectors  |
| 产品名称 | Board-in   |
| UPC  | 800753878938   |

### 机构

|     |         |
|-----|---------|
| CSA | LR19980 |
| UL  | E29179  |

### 物理

|           |                 |
|-----------|-----------------|
| 电路数（最多）   | 13              |
| 颜色-树脂     | Natural         |
| 阻燃性       | 94V-0           |
| 性别        | 不适用             |
| 符合灼热丝规范   | 否               |
| 锁定插接部位    | 无               |
| 材料 - 树脂   | Nylon           |
| 净重        | 0.340/g         |
| 行数        | 1               |
| 包装形式      | Bag             |
| 面板安装式     | 否               |
| 间距 - 插配接口 | 2.50mm          |
| 可堆叠的      | 否               |
| 运行温度范围    | -40° to +105° C |

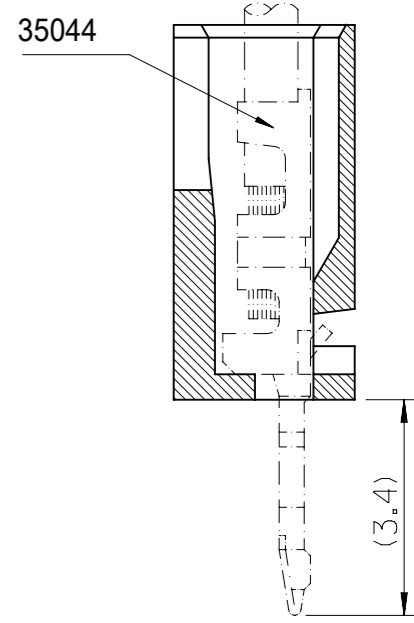
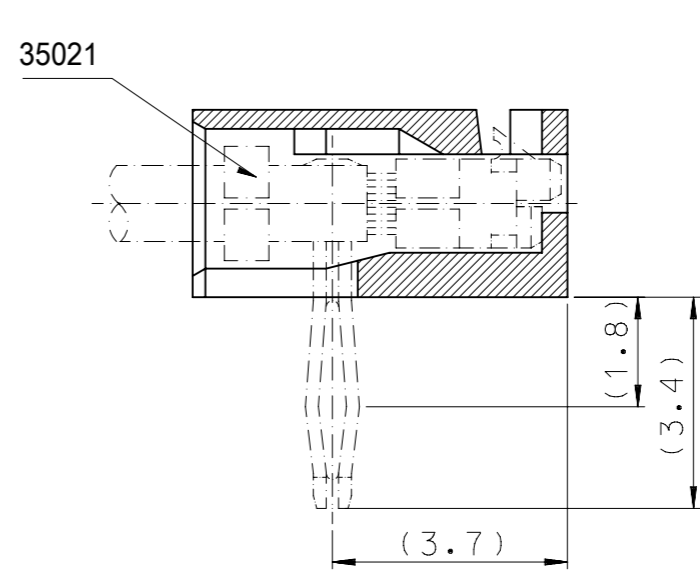
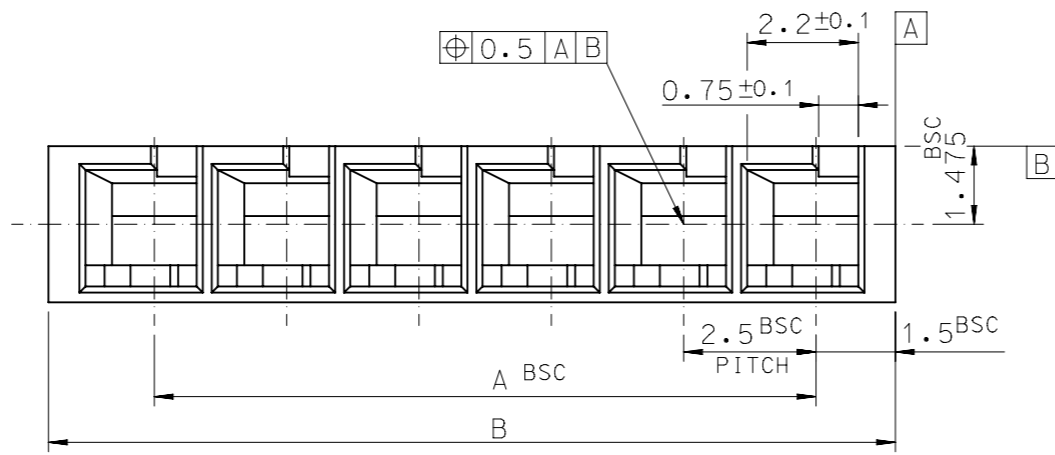
## 进程

|    |     |
|----|-----|
| 无铅 | 不适用 |
|----|-----|

---

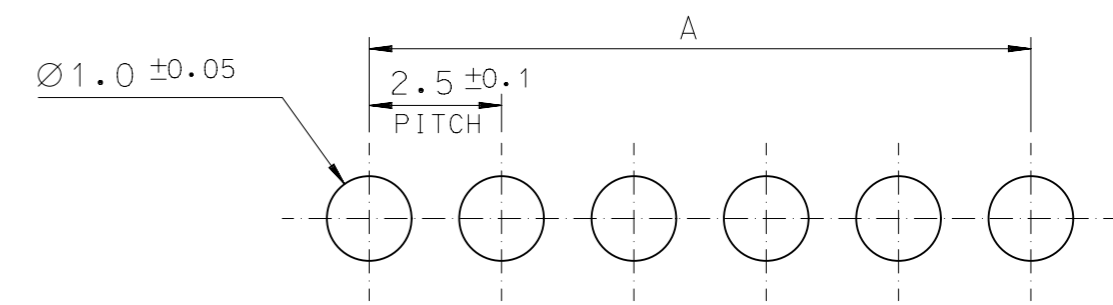
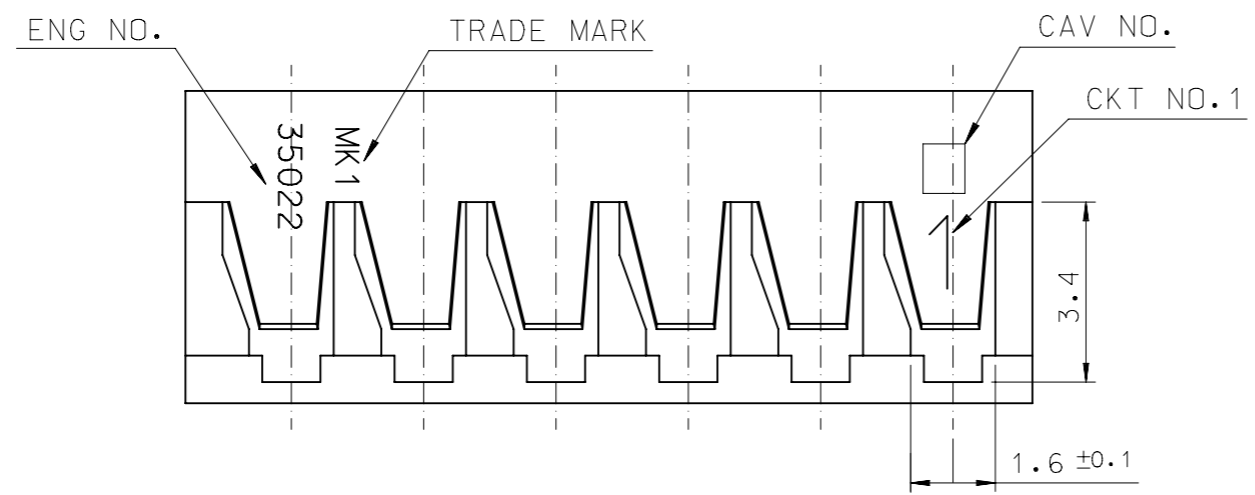
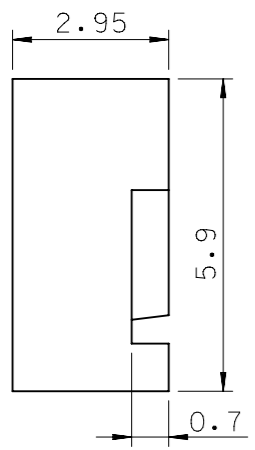
## 可连接使用部件

| 描述   | 产品编号  |
|--|---|
| 2.50mm Pitch, Board-in Male Crimp Terminal, Right-Angle, Brass Tin (Sn) Plating, 22-28 AWG, Reel | <a href="/content/molex/molex-dot-com/cn/zh/products/product-page.html/350211001.html">/content/molex/molex-dot-com/cn/zh/products/product-page.html/350211001.html</a> |
| 2.50mm Pitch, Board-in Male Crimp Terminal, Right-Angle, Tin (Sn) Plating, 22-28 AWG, Reel       | <a href="/content/molex/molex-dot-com/cn/zh/products/product-page.html/350211160.html">/content/molex/molex-dot-com/cn/zh/products/product-page.html/350211160.html</a> |

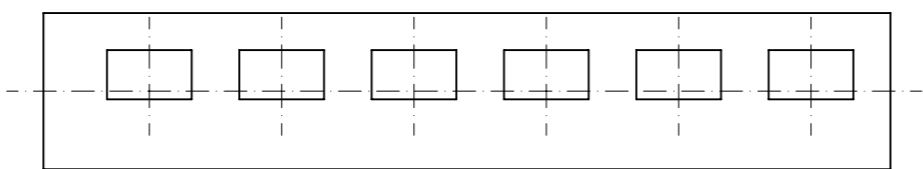


RIGHT ANGLE TYPE

STRAIGHT TYPE



P.C. BOARD LAY OUT  
(THK.: 1.6+)



- NOTE.**
1. MATERIAL : PA66,UL94V-0  
COLOR : IVORY ①
  2. PRODUCT SPECIFICATION : PS-35022-003
  3. PACKAGING SPECIFICATION : PK-35022-001
  4. APPLICABLE TERMINAL  
- R/A : 35021 - 1001/1160  
- ST : 35044 - 9104/9105

|      |      |            |         |      |      |            |         |
|------|------|------------|---------|------|------|------------|---------|
|      |      |            |         | 23.5 | 20.0 | -0009      | 9       |
| 41.0 | 37.5 | 35022-0016 | 16      | 21.0 | 17.5 | -0008      | 8       |
| 38.5 | 35.0 | -0015      | 15      | 18.5 | 15.0 | -0007      | 7       |
| 36.0 | 32.5 | -0014      | 14      | 16.0 | 12.5 | -0006      | 6       |
| 33.5 | 30.0 | -0013      | 13      | 13.5 | 10.0 | -0005      | 5       |
| 31.0 | 27.5 | -0012      | 12      | 11.0 | 7.5  | -0004      | 4       |
| 28.5 | 25.0 | -0011      | 11      | 8.5  | 5.0  | -0003      | 3       |
| 26.0 | 22.5 | -0010      | 10      | 6.0  | 2.5  | 35022-0002 | 2       |
| B    | A    | ENG NO.    | CKT NO. | B    | A    | ENG NO.    | CKT NO. |

|                    |   |                             |                  |                                  |                                |               |                      |              |
|--------------------|---|-----------------------------|------------------|----------------------------------|--------------------------------|---------------|----------------------|--------------|
| FUNCTIONAL SYMBOLS | THIS DRAWING CONTAINS INFORMATION THAT IS PROPRIETARY TO MOLEX ELECTRONIC TECHNOLOGIES, LLC AND SHOULD NOT BE USED WITHOUT WRITTEN PERMISSION | CURRENT REV DESC:           |                  | <b>molex</b>                     |                                |               |                      |              |
|                    | SCALE: 1:1  | EC NO: 637044               |                  |                                  |                                |               |                      |              |
| DIVISIONAL SYMBOLS | GENERAL TOLERANCES (UNLESS SPECIFIED)   | DRWN: SCHONG03 2020/05/06   |                  | 2.5MM R/A B-IN CONNECTOR HOUSING |                                |               |                      |              |
|                    | ANGULAR TOL ± 1.0°  | CHK'D: JBJIN 2020/05/07     |                  |                                  |                                |               |                      |              |
| DIVISIONAL SYMBOLS | 4 PLACES ±  | APPR: JBJIN 2020/05/12      |                  | PRODUCT CUSTOMER DRAWING         |                                |               |                      |              |
|                    | 3 PLACES ± 0.3  | INITIAL REVISION:           |                  |                                  |                                |               |                      |              |
|                    | 2 PLACES ± 0.3  | DRWN: RFC_PLMIMP 2018/12/06 |                  |                                  |                                |               |                      |              |
|                    | 1 PLACE ± 0.3   | APPR: YUNSIKKIM 2010/12/28  |                  |                                  |                                |               |                      |              |
| 0 PLACES ±         | DRAFT WHERE APPLICABLE MUST REMAIN WITHIN DIMENSIONS  | THIRD ANGLE PROJECTION      | DRAWING: A3-SIZE | SERIES: 35022                    | DOCUMENT NUMBER: SD-35022-00XX | DOC TYPE: PSD | DOC PART: 001        | REVISION: J1 |
|                    |   |                             |                  | MATERIAL NUMBER: 35022           | CUSTOMER: GENERAL MARKET       |               | SHEET NUMBER: 1 OF 1 |              |