

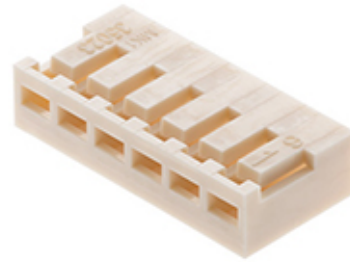
产品编号 : 350230008

Product Description : 2.00mm Pitch, Board-In Crimp Housing, Right-Angle and Vertical, 8 Circuits, Natural

系列号 : 35023

状态 : Active

Product Category : Connector Housings



文件和资源

图纸

图纸 350230008_sd.pdf

3D 模型和设计文件

3D模型 350230008_stp.zip


规格

包装规格 PK-35023-001-001.pdf

产品规格 PS-35023-001-001.pdf

产物环境合规

合规

GADSL/IMDS	Not Relevant
China RoHS	
EU ELV	Compliant per 2000/53/EC
Low-Halogen Status	Low-Halogen per IEC 61249-2-21
REACH SVHC	Not Contained per D(2023)3788-DC (14 Jun 2023)
EU RoHS	Compliant per EU 2015/863

多部分产品合规性声明

- Eu RoHS
- REACH SVHC
- Low-Halogen

多部分行业合规性文件

- IPC 1752A Class C
- IPC 1752A Class D

- Molex Product Compliance Declaration

- IEC-62474

- chemSHERPA (xml)

欧盟 RoHS 合格证书

产品详情

常规

状态	活动
类别	Connector Housings
系列	35023
说明	2.00mm Pitch, Board-In Crimp Housing, Right-Angle and Vertical, 8 Circuits, Natural
应用	Signal, Wire-to-Board
产品系列	Board-in Connectors
产品名称	Board-in
UPC	800753514515

机构

CSA	LR19980
UL	E29179

物理

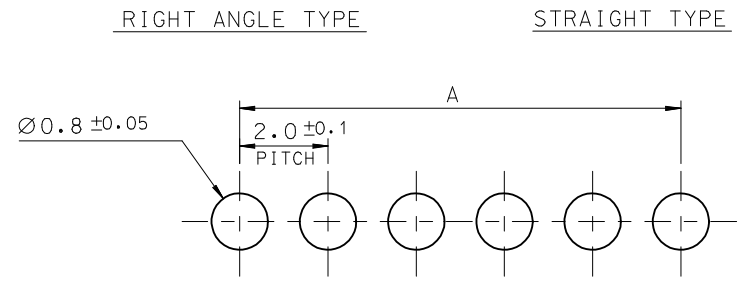
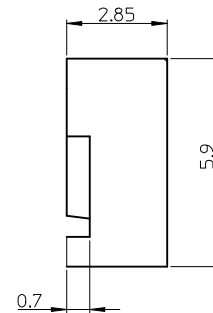
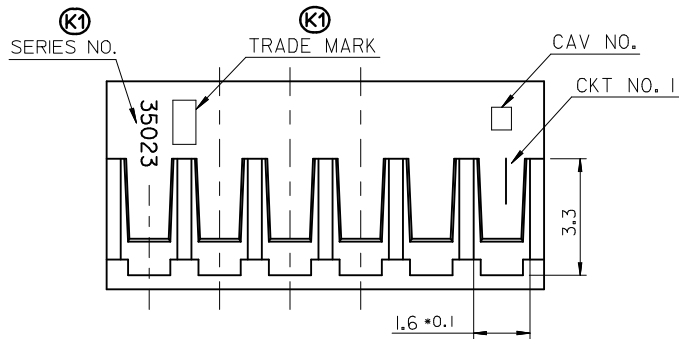
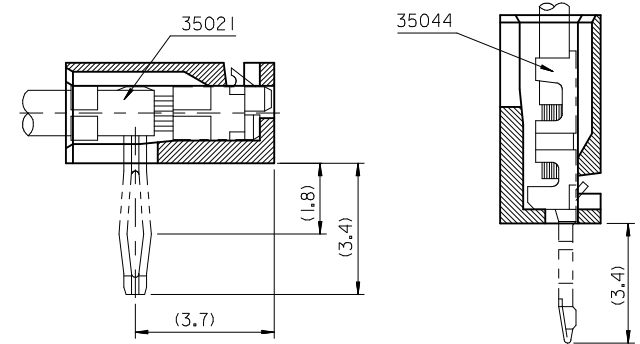
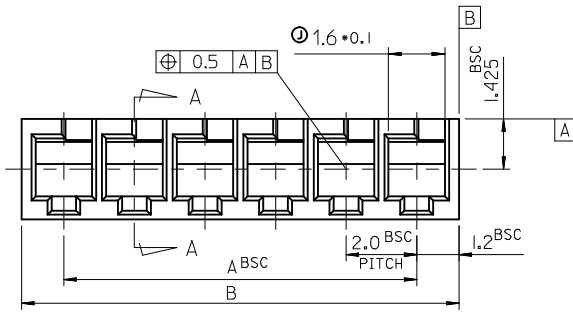
电路数 (最多)	8
颜色-树脂	Natural
阻燃性	94V-0
性别	不适用
符合灼热丝规范	否
材料 - 树脂	Nylon
净重	0.151/g
行数	1
包装形式	Bag
面板安装式	否
间距 - 插配接口	2.00mm
可堆叠的	否
运行温度范围	-40° to +105° C

进程

无铅	不适用
----	-----

可连接使用部件

描述	产品编号
2.00/2.50mm Board-in Terminal, Pre-Tin Plating, Wire Insulation Diameter 1.50mm max.	/content/molex/molex-dot-com/cn/zh/products/product-page.html/350449102.html
2.00mm Pitch, Board-in Male Crimp Terminal, Right-Angle, Brass Tin (Sn) Plating, 24-30 AWG, Reel	/content/molex/molex-dot-com/cn/zh/products/product-page.html/350211201.html
2.00mm Pitch, Board-in Male Crimp Terminal, Right-Angle, Pre-Plated, 24-30 AWG, Reel	/content/molex/molex-dot-com/cn/zh/products/product-page.html/350211301.html
2.00mm Pitch, Board-in Male Crimp Terminal, Right-Angle, Post-Tin Plated, 24-30 AWG, Reel	/content/molex/molex-dot-com/cn/zh/products/product-page.html/350211360.html



(K1)* LEGEND

35023 - 00**

CKT NO.(02,03,04...)

B	A	ENG NO.	CKT NO.	B	A	ENG NO.	CKT NO.
32.4	30.0	35023- 00**	16	18.4	16.0	- 00**	9
30.4	28.0	- 00**	15	16.4	14.0	- 00**	8
28.4	26.0	- 00**	14	14.4	12.0	- 00**	7
26.4	24.0	- 00**	13	12.4	10.0	- 00**	6
24.4	22.0	- 00**	12	10.4	8.0	- 00**	5
22.4	20.0	- 00**	11	8.4	6.0	- 00**	4
20.4	18.0	- 00**	10	6.4	4.0	- 00**	3
B	A	ENG NO.	CKT NO.	B	A	ENG NO.	CKT NO.

NOTE

1. MATERIAL : POLYAMIDE 66(PA66), UNFILLED, UL94V-0; COLOR: IVORY
2. PRODUCT SPECIFICATION : PS-35023-001
3. PACKAGING SPECIFICATION : PK-35023-001
4. APPLICABLE TERMINAL :

R/A: 35021-1201/1301/1310/1360
 ST.: 35044-9101/9102/9110/9210
 35044-9160/9260

REVISED EC NO: KOR2013-0030 DRWN:SKCHO CHKD: APPR:YSKIM02 2012/09/04 2012/09/17	QUALITY SYMBOLS	GENERAL TOLERANCES (UNLESS SPECIFIED)	DIMENSION STYLE	SCALE	DESIGN UNITS	THIRD ANGLE PROJECTION	
	▽=0 ∇=0	mm INCH	MM ONLY	1/1	METRIC		
		4 PLACES ± --- ± --- 3 PLACES ± --- ± --- 2 PLACES ± 0.2 ± --- 1 PLACE ± 0.3 ± --- 0 PLACE ± ±	DRAWN BY DATE HS.SHIN 1993/10/26 CHECKED BY DATE JK.OH 1993/10/26 APPROVED BY DATE CW.LEE 1993/10/26	TITLE	2.0 PITCH B-IN CONN. HOUSING(S/T)		
		ANGULAR ± 1 ° DRAFT WHERE APPLICABLE MUST REMAIN WITHIN DIMENSIONS	MATERIAL NO. SEE TABLE	DOCUMENT NO. SD-35023-001	molex SHEET NO. 1 OF 1		
K1	REV		SIZE A3	THIS DRAWING CONTAINS INFORMATION THAT IS PROPRIETARY TO MOLEX INCORPORATED AND SHOULD NOT BE USED WITHOUT WRITTEN PERMISSION			