



产品编号 : 350230007

系列号 : 35023

Product Category : Connector Housings

Product Description : 2.00mm Pitch, Board-In Crimp Housing, Right-Angle and Vertical, 7 Circuits, Natural

状态 : Active

---

## 文件和资源

### 图纸

图纸 350230007\_sd.pdf

### 3D 模型和设计文件

3D模型 350230007\_stp.zip

### 规格


包装规格 PK-35023-001-001.pdf

产品规格 PS-35023-001-001.pdf

---

## 产物环境合规

### 合规

GADSL/IMDS	Not Relevant
China RoHS	
EU ELV	Not Relevant
Low-Halogen Status	Low-Halogen per IEC 61249-2-21
REACH SVHC	Not Contained per D(2023)8585-DC (23 Jan 2024)
EU RoHS	Compliant per EU 2015/863

### 多部分产品合规性声明

- Eu RoHS
- REACH SVHC
- Low-Halogen
  
- IPC 1752A Class C
- IPC 1752A Class D
- Molex Product Compliance Declaration
- IEC-62474
- chemSHERPA (xml)

## 产品详情

### 常规

状态	活动
类别	Connector Housings
系列	35023
说明	2.00mm Pitch, Board-In Crimp Housing, Right-Angle and Vertical, 7 Circuits, Natural
应用	Signal, Wire-to-Board
产品系列	Board-in Connectors
产品名称	Board-in
UPC	800753876668

### 机构

CSA	LR19980
UL	E29179

### 物理

电路数（最多）	7
颜色-树脂	Natural
阻燃性	94V-0
性别	不适用
符合灼热丝规范	否
材料 - 树脂	Nylon
净重	0.146/g
行数	1
包装形式	Bag
面板安装式	否
间距 - 插配接口	2.00mm
可堆叠的	否
运行温度范围	-40° to +105° C

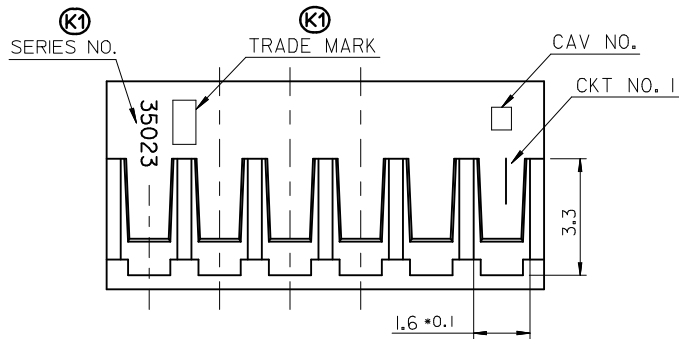
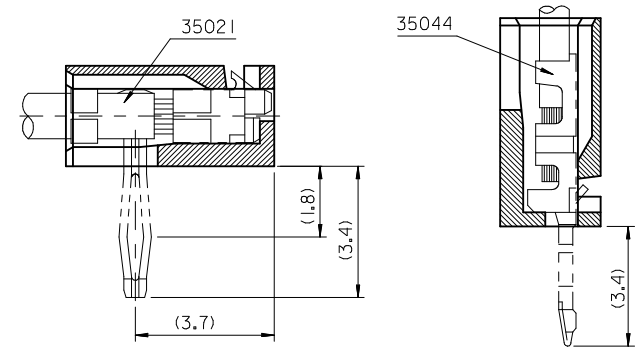
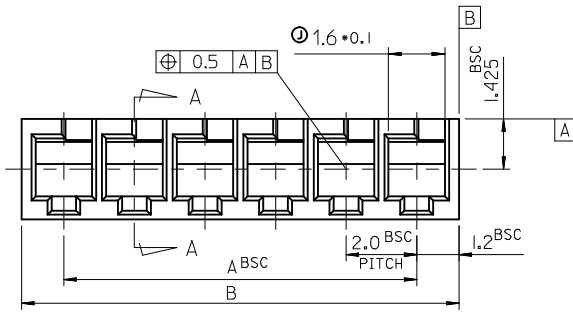
### 进程

无铅	不适用
----	-----

---

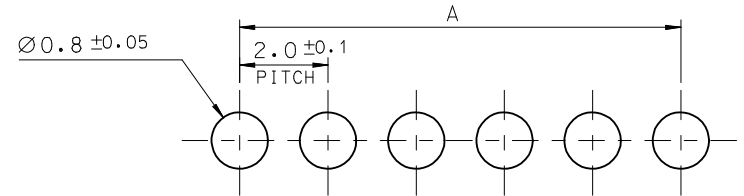
可连接使用部件

描述	产品编号
2.00/2.50mm Board-in Terminal, Pre-Tin Plating, Wire Insulation Diameter 1.50mm max.	<a href="/content/molex/molex-dot-com/cn/zh/products/product-page.html/350449102.html">/content/molex/molex-dot-com/cn/zh/products/product-page.html/350449102.html</a>
2.00mm Pitch, Board-in Male Crimp Terminal, Right-Angle, Brass Tin (Sn) Plating, 24-30 AWG, Reel	<a href="/content/molex/molex-dot-com/cn/zh/products/product-page.html/350211201.html">/content/molex/molex-dot-com/cn/zh/products/product-page.html/350211201.html</a>
2.00mm Pitch, Board-in Male Crimp Terminal, Right-Angle, Pre-Plated, 24-30 AWG, Reel	<a href="/content/molex/molex-dot-com/cn/zh/products/product-page.html/350211301.html">/content/molex/molex-dot-com/cn/zh/products/product-page.html/350211301.html</a>
2.00mm Pitch, Board-in Male Crimp Terminal, Right-Angle, Post-Tin Plated, 24-30 AWG, Reel	<a href="/content/molex/molex-dot-com/cn/zh/products/product-page.html/350211360.html">/content/molex/molex-dot-com/cn/zh/products/product-page.html/350211360.html</a>



RIGHT ANGLE TYPE

STRAIGHT TYPE



P.C. BOARD LAY OUT  
(THK.: 1.6+)

(K1)\* LEGEND

35023 - 00\*\*

CKT NO.(02,03,04...)

B	A	ENG NO.	CKT NO.	B	A	ENG NO.	CKT NO.
32.4	30.0	35023- 00**	16	18.4	16.0	- 00**	9
30.4	28.0	- 00**	15	16.4	14.0	- 00**	8
28.4	26.0	- 00**	14	14.4	12.0	- 00**	7
26.4	24.0	- 00**	13	12.4	10.0	- 00**	6
24.4	22.0	- 00**	12	10.4	8.0	- 00**	5
22.4	20.0	- 00**	11	8.4	6.0	- 00**	4
20.4	18.0	- 00**	10	6.4	4.0	- 00**	3
B	A	ENG NO.	CKT NO.	B	A	ENG NO.	CKT NO.

NOTE

- MATERIAL : POLYAMIDE 66(PA66), UNFILLED, UL94V-0; COLOR: IVORY
- PRODUCT SPECIFICATION : PS-35023-001
- PACKAGING SPECIFICATION : PK-35023-001
- APPLICABLE TERMINAL :

R/A: 35021-1201/1301/1310/1360  
ST.: 35044-9101/9102/9110/9210  
35044-9160/9260

REVISED EC NO: KOR2013-0030 DRWN:SKCHO CHKD: APPR:YSKIM02	DESCRIPTION 2012/09/04 2012/09/17	QUALITY SYMBOLS	GENERAL TOLERANCES (UNLESS SPECIFIED)	DIMENSION STYLE	SCALE	DESIGN UNITS	THIRD ANGLE PROJECTION	
		▽=0 ∇=0	mm INCH	MM ONLY	1/1	METRIC		
			4 PLACES ± --- ± --- 3 PLACES ± --- ± --- 2 PLACES ± 0.2 ± --- 1 PLACE ± 0.3 ± --- 0 PLACE ± ±	DRAWN BY DATE HS.SHIN 1993/10/26 CHECKED BY DATE JK.OH 1993/10/26 APPROVED BY DATE CW.LEE 1993/10/26	TITLE	2.0 PITCH B-IN CONN. HOUSING(S/T)		
			ANGULAR ± 1 ° DRAFT WHERE APPLICABLE MUST REMAIN WITHIN DIMENSIONS	MATERIAL NO. SEE TABLE SIZE A3	DOCUMENT NO. SD-35023-001	molex SHEET NO. 1 OF 1		
K1		REV	THIS DRAWING CONTAINS INFORMATION THAT IS PROPRIETARY TO MOLEX INCORPORATED AND SHOULD NOT BE USED WITHOUT WRITTEN PERMISSION					