



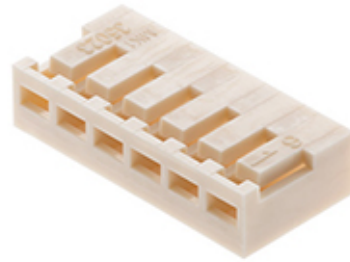
产品编号 : [350230009](#)

Product Description : 2.00mm Pitch, Board-In Crimp Housing, Right-Angle and Vertical, 9 Circuits, Natural

系列号 : 35023

状态 : Active

Product Category : Connector Housings



文件和资源

图纸

[图纸 350230009_sd.pdf](#)

3D 模型和设计文件

[3D模型 350230009_stp.zip](#)

规格

[包装规格 PK-35023-001-001.pdf](#)

[产品规格 PS-35023-001-001.pdf](#)

产物环境合规

合规

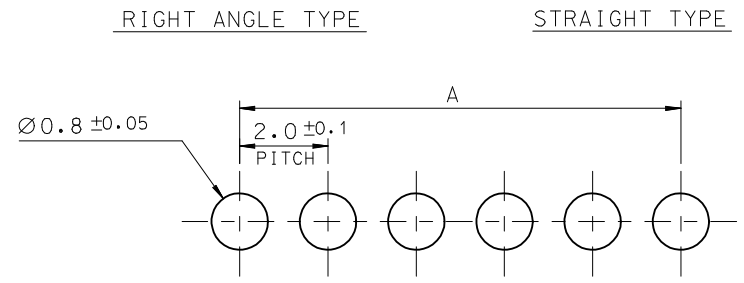
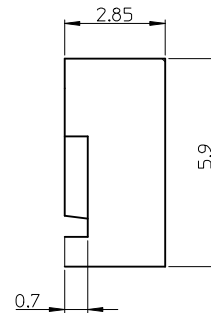
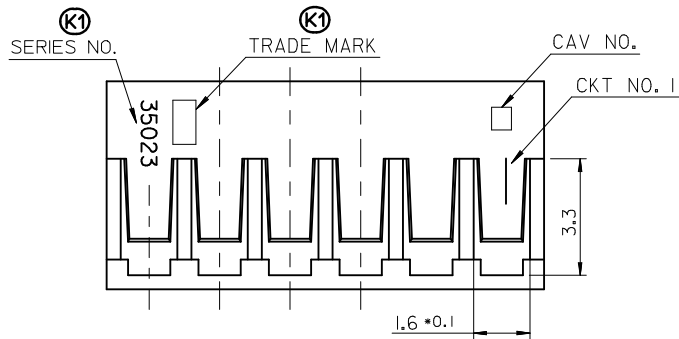
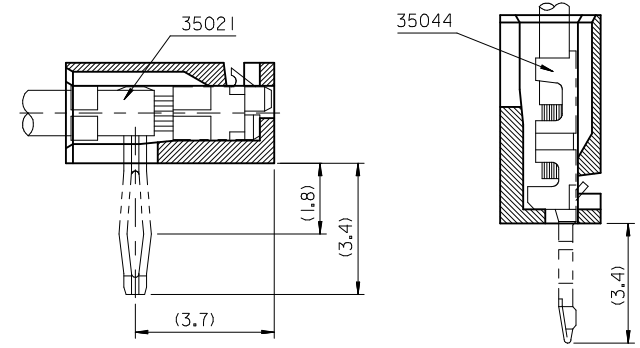
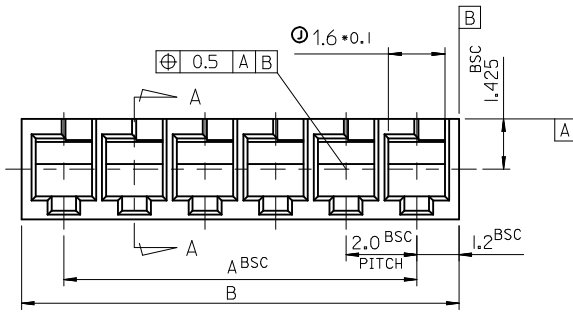
GADSL/IMDS	Not Relevant
China RoHS	
EU ELV	Not Relevant
Low-Halogen Status	Low-Halogen per IEC 61249-2-21
REACH SVHC	Not Contained per D(2023)3788-DC (14 Jun 2023)
EU RoHS	Compliant per EU 2015/863

多部分产品合规性声明

- Eu RoHS
- REACH SVHC
- Low-Halogen

多部分行业合规性文件

- IPC 1752A Class C
- IPC 1752A Class D



(K1)* LEGEND

35023 - 00**

CKT NO.(02,03,04...)

B	A	ENG NO.	CKT NO.	B	A	ENG NO.	CKT NO.
32.4	30.0	35023- 00**	16	18.4	16.0	- 00**	9
30.4	28.0	- 00**	15	16.4	14.0	- 00**	8
28.4	26.0	- 00**	14	14.4	12.0	- 00**	7
26.4	24.0	- 00**	13	12.4	10.0	- 00**	6
24.4	22.0	- 00**	12	10.4	8.0	- 00**	5
22.4	20.0	- 00**	11	8.4	6.0	- 00**	4
20.4	18.0	- 00**	10	6.4	4.0	- 00**	3
				4.4	2.0	35023- 00**	2

NOTE

1. MATERIAL : POLYAMIDE 66(PA66), UNFILLED, UL94V-0; COLOR: IVORY
2. PRODUCT SPECIFICATION : PS-35023-001
3. PACKAGING SPECIFICATION : PK-35023-001
4. APPLICABLE TERMINAL :

R/A: 35021-1201/1301/1310/1360
ST.: 35044-9101/9102/9110/9210
35044-9160/9260

REVISED	EC NO: KOR2013-0030	DRWN:SKCHO	CHKD:	APPR:YSKIM02	DESCRIPTION	QUALITY SYMBOLS		GENERAL TOLERANCES (UNLESS SPECIFIED)		DIMENSION STYLE		SCALE	DESIGN UNITS	THIRD ANGLE PROJECTION	
						mm	INCH	MM ONLY	1/1	METRIC					
						▽=0	∇=0	4 PLACES	± ---	± ---	DRAWN BY	DATE	TITLE 2.0 PITCH B-IN CONN. HOUSING(S/T) molex DOCUMENT NO. SD-35023-001 SHEET NO. 1 OF 1		
								3 PLACES	± ---	± ---	HS.SHIN	1993/10/26			
								2 PLACES	± 0.2	± ---	CHECKED BY	DATE			
								1 PLACE	± 0.3	± ---	JK.OH	1993/10/26			
								0 PLACE	±	±	APPROVED BY	DATE			
								ANGULAR ± 1 °		MATERIAL NO.		DATE			
								DRAFT WHERE APPLICABLE MUST REMAIN WITHIN DIMENSIONS		SEE TABLE		DATE			
								SIZE		THIS DRAWING CONTAINS INFORMATION THAT IS PROPRIETARY TO MOLEX INCORPORATED AND SHOULD NOT BE USED WITHOUT WRITTEN PERMISSION					

- Molex Product Compliance Declaration

- IEC-62474

- chemSHERPA (xml)

欧盟 RoHS 合格证书

产品详情

常规

状态	活动
类别	Connector Housings
系列	35023
说明	2.00mm Pitch, Board-In Crimp Housing, Right-Angle and Vertical, 9 Circuits, Natural
应用	Signal, Wire-to-Board
产品系列	Board-in Connectors
产品名称	Board-in
UPC	800753876675

机构

CSA	LR19980
UL	E29179

物理

电路数（最多）	9
颜色-树脂	Natural
阻燃性	94V-0
性别	不适用
符合灼热丝规范	否
材料 - 树脂	Nylon
净重	0.180/g
行数	1
包装形式	Bag
面板安装式	否
间距 - 插配接口	2.00mm
可堆叠的	否
运行温度范围	-40° to +105° C

进程

无铅	不适用
----	-----

可连接使用部件

描述	产品编号
2.00/2.50mm Board-in Terminal, Pre-Tin Plating, Wire Insulation Diameter 1.50mm max.	/content/molex/molex-dot-com/cn/zh/products/product-page.html/350449102.html
2.00mm Pitch, Board-in Male Crimp Terminal, Right-Angle, Brass Tin (Sn) Plating, 24-30 AWG, Reel	/content/molex/molex-dot-com/cn/zh/products/product-page.html/350211201.html
2.00mm Pitch, Board-in Male Crimp Terminal, Right-Angle, Pre-Plated, 24-30 AWG, Reel	/content/molex/molex-dot-com/cn/zh/products/product-page.html/350211301.html
2.00mm Pitch, Board-in Male Crimp Terminal, Right-Angle, Post-Tin Plated, 24-30 AWG, Reel	/content/molex/molex-dot-com/cn/zh/products/product-page.html/350211360.html