

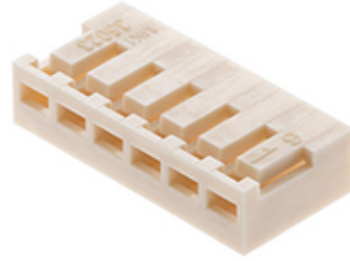
产品编号 : [350230012](#)

Product Description : 2.00mm Pitch, Board-In Crimp Housing, Right-Angle and Vertical, 12 Circuits, Natural

系列号 : 35023

状态 : Active

Product Category : Connector Housings



---

## 文件和资源

### 图纸

[图纸 350230012\\_sd.pdf](#)

### 3D 模型和设计文件

[3D模型 350230012\\_stp.zip](#)

### 规格


[包装规格 PK-35023-001-001.pdf](#)

[产品规格 PS-35023-001-001.pdf](#)

---

## 产物环境合规

### 合规

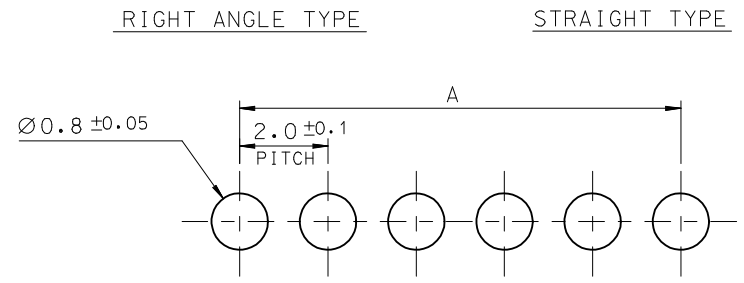
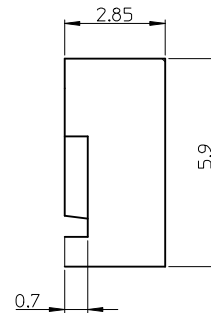
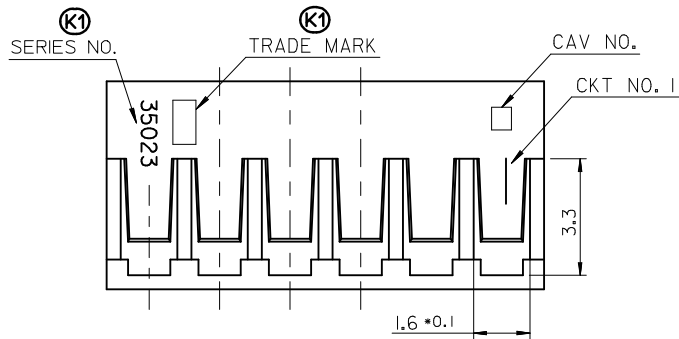
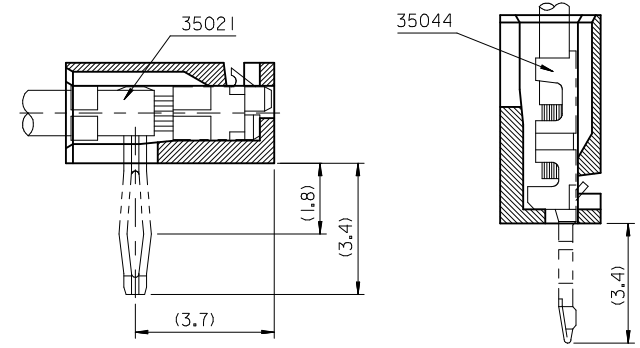
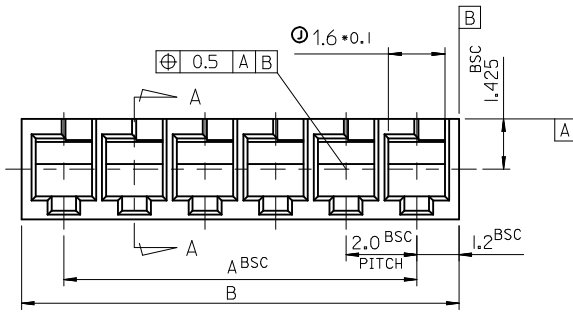
|                    |   |
|--------------------|---|
| GADSL/IMDS         | Not Relevant  |
| China RoHS         |  |
| EU ELV             | Not Relevant  |
| Low-Halogen Status | Low-Halogen per IEC 61249-2-21  |
| REACH SVHC         | Not Contained per D(2023)3788-DC (14 Jun 2023)  |
| EU RoHS            | Compliant per EU 2015/863   |

### 多部分产品合规性声明

- Eu RoHS
- REACH SVHC
- Low-Halogen

### 多部分行业合规性文件

- IPC 1752A Class C
- IPC 1752A Class D



(K1)\* LEGEND

35023 - 00\*\*

CKT NO.(02,03,04...)

| B    | A    | ENG NO.     | CKT NO. | B    | A    | ENG NO. | CKT NO. |
|------|------|-------------|---------|------|------|---------|---------|
| 32.4 | 30.0 | 35023- 00** | 16      | 18.4 | 16.0 | - 00**  | 9       |
| 30.4 | 28.0 | - 00**      | 15      | 16.4 | 14.0 | - 00**  | 8       |
| 28.4 | 26.0 | - 00**      | 14      | 14.4 | 12.0 | - 00**  | 7       |
| 26.4 | 24.0 | - 00**      | 13      | 12.4 | 10.0 | - 00**  | 6       |
| 24.4 | 22.0 | - 00**      | 12      | 10.4 | 8.0  | - 00**  | 5       |
| 22.4 | 20.0 | - 00**      | 11      | 8.4  | 6.0  | - 00**  | 4       |
| 20.4 | 18.0 | - 00**      | 10      | 6.4  | 4.0  | - 00**  | 3       |
| B    | A    | ENG NO.     | CKT NO. | B    | A    | ENG NO. | CKT NO. |

NOTE

1. MATERIAL : POLYAMIDE 66(PA66), UNFILLED, UL94V-0; COLOR: IVORY
2. PRODUCT SPECIFICATION : PS-35023-001
3. PACKAGING SPECIFICATION : PK-35023-001
4. APPLICABLE TERMINAL :

R/A: 35021-1201/1301/1310/1360  
ST.: 35044-9101/9102/9110/9210  
35044-9160/9260

| REVISED | EC NO: KOR2013-0030 | DRWN:SKCHO | CHKD: | APPR:YSK1M02 | DESCRIPTION | QUALITY SYMBOLS |      | GENERAL TOLERANCES (UNLESS SPECIFIED)                |       | DIMENSION STYLE |             | SCALE   | DESIGN UNITS  | THIRD ANGLE PROJECTION |  |
|---------|---------------------|------------|-------|--------------|-------------|-----------------|------|--|-------|-----------------|-------------|---|---|------------------------|--|
|         |                     |            |       |              |             | mm              | INCH | MM ONLY  | 1/1   | METRIC          |             |   |   |                        |  |
|         |                     |            |       |              |             | ▽=0             | □=0  | 4 PLACES   | ± --- | ± ---           | DRAWN BY    | DATE  | TITLE<br>2.0 PITCH B-IN CONN. HOUSING(S/T)<br><b>molex</b><br>DOCUMENT NO. SD-35023-001<br>SHEET NO. 1 OF 1 |                        |  |
|         |                     |            |       |              |             |                 |      | 3 PLACES   | ± --- | ± ---           | HS.SHIN     | 1993/10/26  |   |                        |  |
|         |                     |            |       |              |             |                 |      | 2 PLACES   | ± 0.2 | ± ---           | CHECKED BY  | DATE  |   |                        |  |
|         |                     |            |       |              |             |                 |      | 1 PLACE  | ± 0.3 | ± ---           | JK.OH       | 1993/10/26  |   |                        |  |
|         |                     |            |       |              |             |                 |      | 0 PLACE  | ±     | ±               | APPROVED BY | DATE  |   |                        |  |
|         |                     |            |       |              |             |                 |      | ANGULAR ± 1 °  |       | MATERIAL NO.    |             | DATE  |   |                        |  |
|         |                     |            |       |              |             |                 |      | DRAFT WHERE APPLICABLE MUST REMAIN WITHIN DIMENSIONS |       | SEE TABLE       |             | THIS DRAWING CONTAINS INFORMATION THAT IS PROPRIETARY TO MOLEX INCORPORATED AND SHOULD NOT BE USED WITHOUT WRITTEN PERMISSION |   |                        |  |

- Molex Product Compliance Declaration

- IEC-62474

- chemSHERPA (xml)

欧盟 RoHS 合格证书

---

## 产品详情

### 常规

|      |  |
|------|--|
| 状态   | 活动   |
| 类别   | Connector Housings   |
| 系列   | 35023  |
| 说明   | 2.00mm Pitch, Board-In Crimp Housing, Right-Angle and Vertical, 12 Circuits, Natural |
| 应用   | Signal, Wire-to-Board  |
| 产品系列 | Board-in Connectors  |
| 产品名称 | Board-in   |
| UPC  | 800753514539   |

### 机构

|     |         |
|-----|---------|
| CSA | LR19980 |
| UL  | E29179  |

### 物理

|           |                 |
|-----------|-----------------|
| 电路数（最多）   | 12              |
| 颜色-树脂     | Natural         |
| 阻燃性       | 94V-0           |
| 性别        | 不适用             |
| 符合灼热丝规范   | 否               |
| 材料 - 树脂   | Nylon           |
| 净重        | 0.240/g         |
| 行数        | 1               |
| 包装形式      | Bag             |
| 面板安装式     | 否               |
| 间距 - 插配接口 | 2.00mm          |
| 可堆叠的      | 否               |
| 运行温度范围    | -40° to +105° C |

进程

|    |     |
|----|-----|
| 无铅 | 不适用 |
|----|-----|

可连接使用部件

| 描述   | 产品编号  |
|--|---|
| 2.00/2.50mm Board-in Terminal, Pre-Tin Plating, Wire Insulation Diameter 1.50mm max.             | <a href="/content/molex/molex-dot-com/cn/zh/products/product-page.html/350449102.html">/content/molex/molex-dot-com/cn/zh/products/product-page.html/350449102.html</a> |
| 2.00mm Pitch, Board-in Male Crimp Terminal, Right-Angle, Brass Tin (Sn) Plating, 24-30 AWG, Reel | <a href="/content/molex/molex-dot-com/cn/zh/products/product-page.html/350211201.html">/content/molex/molex-dot-com/cn/zh/products/product-page.html/350211201.html</a> |
| 2.00mm Pitch, Board-in Male Crimp Terminal, Right-Angle, Pre-Plated, 24-30 AWG, Reel             | <a href="/content/molex/molex-dot-com/cn/zh/products/product-page.html/350211301.html">/content/molex/molex-dot-com/cn/zh/products/product-page.html/350211301.html</a> |
| 2.00mm Pitch, Board-in Male Crimp Terminal, Right-Angle, Post-Tin Plated, 24-30 AWG, Reel        | <a href="/content/molex/molex-dot-com/cn/zh/products/product-page.html/350211360.html">/content/molex/molex-dot-com/cn/zh/products/product-page.html/350211360.html</a> |