



产品编号 : [351500209](#)

Product Description : VersaBlade Hybrid Receptacle Housing, without Mounting Ears, 2 Circuits, Natural, Glow-Wire Capable

系列号 : 35150

状态 : Active

Product Category : Connector Housings



文件和资源

图纸

[图纸 351500209_sd.pdf](#)

3D 模型和设计文件

[3D模型 351500209_stp.zip](#)

规格

[应用规格 351500000AS_ENG-000.pdf](#)

[应用规格 351500000AS_KOR-000.pdf](#)

[包装规格 PK-35150-002-001.pdf](#)

[产品规格 PS-35150-003-001.pdf](#)

产物环境合规

合规

GADSL/IMDS	Not Relevant
China RoHS	
EU ELV	Not Relevant
Low-Halogen Status	Not Low-Halogen per IEC 61249-2-21
REACH SVHC	Not Contained per D(2023)3788-DC (14 Jun 2023)
EU RoHS	Compliant per EU 2015/863

多部分产品合规性声明

- Eu RoHS
- REACH SVHC
- Low-Halogen

多部分行业合规性文件

- IPC 1752A Class C
- IPC 1752A Class D
- Molex Product Compliance Declaration
- IEC-62474
- chemSHERPA (xml)

欧盟 RoHS 合格证书

产品详情

常规

状态	活动
类别	Connector Housings
系列	35150
说明	VersaBlade Hybrid Receptacle Housing, without Mounting Ears, 2 Circuits, Natural, Glow-Wire Capable
应用	Power, Wire-to-Wire
产品系列	VersaBlade Wire-to-Wire Connector System
产品名称	VersaBlade
UPC	756054256411

机构

CSA	LR19980
UL	E29179

物理

断开	否
电路数 (最多)	2
颜色-树脂	Natural
阻燃性	94V-0
性别	Receptacle
符合灼热丝规范	是
插接极性	无
锁定插接部位	是
材料 - 树脂	PET/PC
净重	1.706/g

行数	1
包装形式	Bag
面板安装式	否
间距 - 插配接口	6.20mm
间距 - 终端界面	6.20mm
有极性的插配件	是
可堆叠的	否
运行温度范围	-40° to +110° C

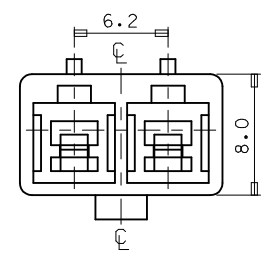
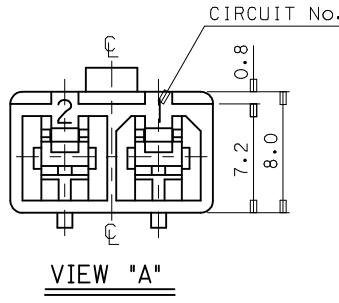
可配插/可连接使用的产品

可配插部件

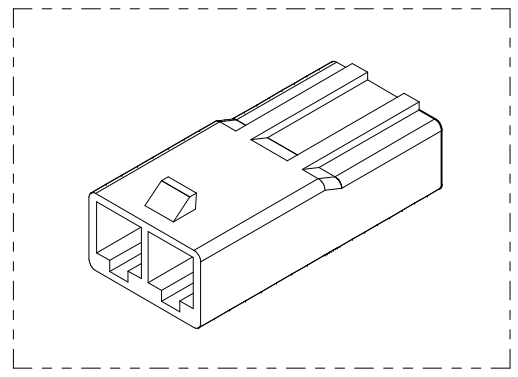
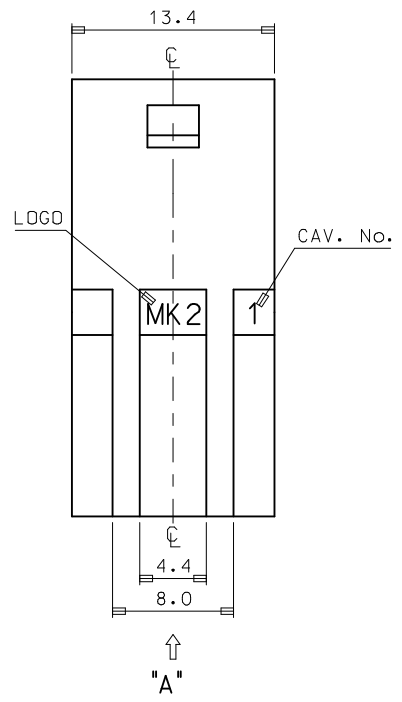
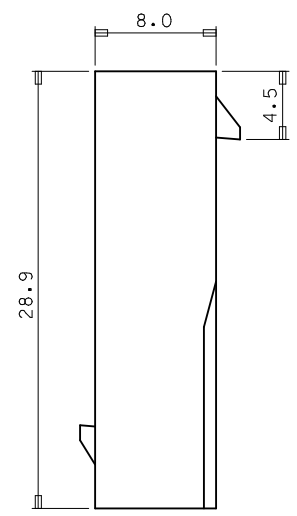
描述	产品编号
VersaBlade Hybrid Plug Housings	<u>35151</u>

可连接使用部件

描述	产品编号
VersaBlade Terminal Position Assurance (TPA) Retainer, 6.20mm Pitch, 2 Circuits, Natural	/content/molex/molex-dot-com/cn/zh/products/product-page.html/351500290.html
VersaBlade Terminal Position Assurance (TPA) Retainer, 6.20mm Pitch, 2 Circuits, Red	/content/molex/molex-dot-com/cn/zh/products/product-page.html/351500292.html
VersaBlade Terminal Position Assurance (TPA) Retainer, 6.20mm Pitch, 2 Circuits, Yellow	/content/molex/molex-dot-com/cn/zh/products/product-page.html/351500293.html
VersaBlade Terminal Position Assurance (TPA) Retainer, 6.20mm Pitch, 2 Circuits, Blue	/content/molex/molex-dot-com/cn/zh/products/product-page.html/351500294.html
VersaBlade Male Crimp Terminals	<u>35745</u>



- NOTES
1. MATERIAL : SEE TABLE
 2. COLOR : SEE TABLE
 3. MATCHED HOUSING : 35151-021*
35150-029* (TPA)
 4. APPLIED TERMINAL : 35745-0*10



NO	PRODUCT		MATERIAL	
	PART NO	MATERIAL NO	COLOR	DESCRIPTION
1	35150-0200	351500200	NATURAL	PBT (UL94V-0)
2	35150-0202	351500202	RED	
3	35150-0204	351500204	BLUE	
4	35150-0209	351500209	NATURAL	PC/PET (UL94V-0)
5	35150-2209	351502209	RED	
6	35150-3209	351503209	YELLOW	
7	35150-4209	351504209	BLUE	

REVISED
 EC NO: KOR2009-0026
 DRWN: JHPARK01 2008/09/25
 CHKD: WY YANG 2008/11/25
 APPR: YUNSIKKIM 2008/11/25

QUALITY SYMBOLS

	GENERAL TOLERANCES (UNLESS SPECIFIED)	
	mm	INCH
4 PLACES	± ---	± ---
3 PLACES	± ---	± ---
2 PLACES	± ---	± ---
1 PLACE	± 0.2	± ---
ANGULAR ± 1 °		

DRAFT WHERE APPLICABLE
MUST REMAIN WITHIN DIMENSIONS

DIMENSION STYLE
MM ONLY

DRAWN BY: JS.KANG
CHECKED BY: _____
APPROVED BY: _____

MATERIAL NO.
SEE TABLE

SIZE
A3

SCALE
3:1

DESIGN UNITS
METRIC

THIRD ANGLE PROJECTION

TITLE
**6.2 PITCH W/W CONN
MALE HOUSING-2P(W/O EAR)**

MOLEX INCORPORATED

DOCUMENT NO.
SD-35150-020*

SHEET NO.
1 OF 01

THIS DRAWING CONTAINS INFORMATION THAT IS PROPRIETARY TO MOLEX INCORPORATED AND SHOULD NOT BE USED WITHOUT WRITTEN PERMISSION