



产品编号 : 351500200

系列号 : 35150

Product Category : Connector Housings

Product Description : VersaBlade Hybrid Receptacle Housing, without Mounting Ears, 2 Circuits, Natural

状态 : Active

文件和资源

图纸

图纸 351500200_sd.pdf

3D 模型和设计文件

3D模型 351500200_stp.zip

规格

应用规格 351500000AS_ENG-000.pdf


应用规格 351500000AS_KOR-000.pdf

包装规格 PK-35150-002-001.pdf

产品规格 PS-35150-003-001.pdf

产物环境合规

合规

GADSL/IMDS	Not Relevant
China RoHS	
EU ELV	Not Relevant
Low-Halogen Status	Not Low-Halogen per IEC 61249-2-21
REACH SVHC	Not Contained per D(2023)8585-DC (23 Jan 2024)
EU RoHS	Compliant per EU 2015/863

多部分产品合规性声明

- Eu RoHS
- REACH SVHC
- Low-Halogen

- IPC 1752A Class C
- IPC 1752A Class D
- Molex Product Compliance Declaration

- IEC-62474

- chemSHERPA (xml)

欧盟 RoHS 合格证书

产品详情

常规

状态	活动
类别	Connector Housings
系列	35150
说明	VersaBlade Hybrid Receptacle Housing, without Mounting Ears, 2 Circuits, Natural
应用	Power, Wire-to-Wire
产品系列	VersaBlade Wire-to-Wire Connector System
产品名称	VersaBlade
UPC	800754375375

机构

CSA	LR19980
UL	E29179

物理

电路数（最多）	2
颜色-树脂	Natural
阻燃性	94V-0
性别	Receptacle
符合灼热丝规范	否
插接极性	无
锁定插接部位	是
材料 - 树脂	PBT
净重	1.953/g
行数	1
包装形式	Bag
面板安装式	否
间距 - 插配接口	6.20mm

间距 - 终端界面	6.20mm
有极性的插配件	是
可堆叠的	否
运行温度范围	-40° to +120° C

进程

无铅	不适用
----	-----

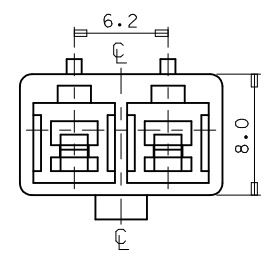
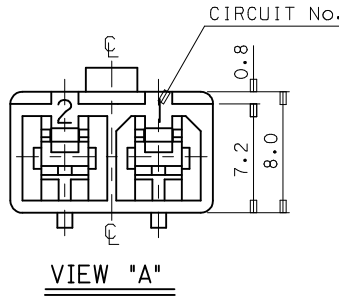
可配插/可连接使用的产品

可配插部件

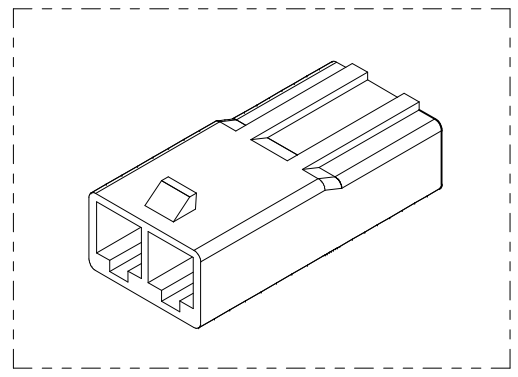
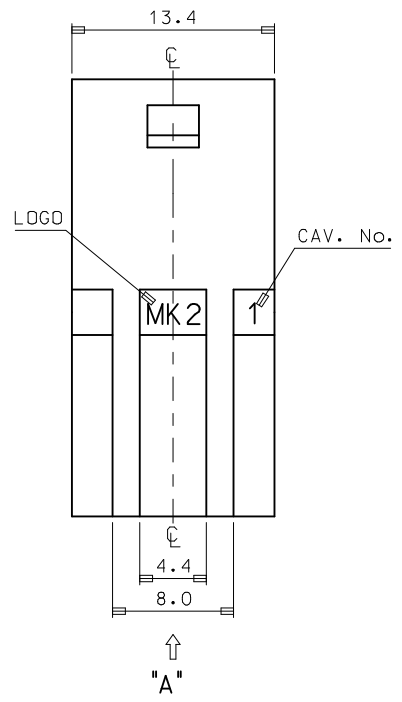
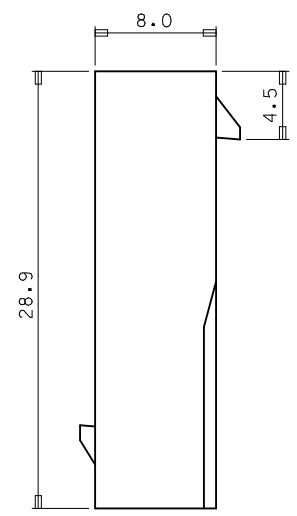
描述	产品编号
VersaBlade Hybrid Plug Housings	<u>35151</u>

可连接使用部件

描述	产品编号
VersaBlade Terminal Position Assurance (TPA) Retainer, 6.20mm Pitch, 2 Circuits, Natural	<u>/content/molex/molex-dot-com/cn/zh/products/product-page.html/351500290.html</u>
VersaBlade Terminal Position Assurance (TPA) Retainer, 6.20mm Pitch, 2 Circuits, Red	<u>/content/molex/molex-dot-com/cn/zh/products/product-page.html/351500292.html</u>
VersaBlade Terminal Position Assurance (TPA) Retainer, 6.20mm Pitch, 2 Circuits, Yellow	<u>/content/molex/molex-dot-com/cn/zh/products/product-page.html/351500293.html</u>
VersaBlade Terminal Position Assurance (TPA) Retainer, 6.20mm Pitch, 2 Circuits, Blue	<u>/content/molex/molex-dot-com/cn/zh/products/product-page.html/351500294.html</u>
VersaBlade Male Crimp Terminals	<u>35745</u>



- NOTES
1. MATERIAL : SEE TABLE
 2. COLOR : SEE TABLE
 3. MATCHED HOUSING : 35151-021*
35150-029* (TPA)
 4. APPLIED TERMINAL : 35745-0*10



NO	PRODUCT		MATERIAL	
	PART NO	MATERIAL NO	COLOR	DESCRIPTION
1	35150-0200	351500200	NATURAL	PBT (UL94V-0)
2	35150-0202	351500202	RED	
3	35150-0204	351500204	BLUE	
4	35150-0209	351500209	NATURAL	PC/PET (UL94V-0)
5	35150-2209	351502209	RED	
6	35150-3209	351503209	YELLOW	
7	35150-4209	351504209	BLUE	

REVISED
 EC NO: KOR2009-0026
 DRWN: JHPARK01 2008/09/25
 CHKD: WY YANG 2008/11/25
 APPR: YUNSIKKIM 2008/11/25

QUALITY SYMBOLS
 =0
 =0

	GENERAL TOLERANCES (UNLESS SPECIFIED)	
	mm	INCH
4 PLACES	± ---	± ---
3 PLACES	± ---	± ---
2 PLACES	± ---	± ---
1 PLACE	± 0.2	± ---
ANGULAR ± 1 °		

DRAFT WHERE APPLICABLE
MUST REMAIN
WITHIN DIMENSIONS

DIMENSION STYLE
MM ONLY

DRAWN BY: JS.KANG
DATE: _____

CHECKED BY: _____
DATE: _____

APPROVED BY: _____
DATE: _____

MATERIAL NO.
SEE TABLE

SIZE
A3

SCALE
3:1

DESIGN UNITS
METRIC

THIRD ANGLE PROJECTION

TITLE
**6.2 PITCH W/W CONN
MALE HOUSING-2P(W/O EAR)**

MOLEX INCORPORATED

DOCUMENT NO.
SD-35150-020*

SHEET NO.
1 OF 01

THIS DRAWING CONTAINS INFORMATION THAT IS PROPRIETARY TO MOLEX INCORPORATED AND SHOULD NOT BE USED WITHOUT WRITTEN PERMISSION