



产品编号 : 351500219

系列号 : 35150

Product Category : Connector Housings

Product Description : VersaBlade Hybrid Receptacle Housing, with Mounting Ears, 2 Circuits, Natural, Glow-Wire Capable

状态 : Active

文件和资源

图纸

图纸 351500219_sd.pdf

3D 模型和设计文件

3D模型 351500219_stp.zip

规格


应用规格 351500000AS_ENG-000.pdf

应用规格 351500000AS_KOR-000.pdf

产品规格 PS-35150-003-001.pdf

产物环境合规

合规

GADSL/IMDS	Not Relevant
China RoHS	
EU ELV	Not Relevant
Low-Halogen Status	Not Low-Halogen per IEC 61249-2-21
REACH SVHC	Not Contained per D(2023)8585-DC (23 Jan 2024)
EU RoHS	Compliant per EU 2015/863

多部分产品合规性声明

- Eu RoHS
- REACH SVHC
- Low-Halogen

- IPC 1752A Class C
- IPC 1752A Class D
- Molex Product Compliance Declaration
- IEC-62474

产品详情

常规

状态	活动
类别	Connector Housings
系列	35150
说明	VersaBlade Hybrid Receptacle Housing, with Mounting Ears, 2 Circuits, Natural, Glow-Wire Capable
应用	Power, Wire-to-Wire
产品系列	VersaBlade Wire-to-Wire Connector System
产品名称	VersaBlade
UPC	756054256442

机构

CSA	LR19980
UL	E29179

物理

断开	否
电路数 (最多)	2
颜色-树脂	Natural
阻燃性	94V-0
性别	Receptacle
符合灼热丝规范	是
插接极性	无
锁定插接部位	是
材料 - 树脂	PET/PC
净重	2.146/g
行数	1
包装形式	Bag
面板安装式	是

间距 - 插配接口	6.20mm
间距 - 终端界面	6.20mm
有极性的插配件	是
可堆叠的	否
运行温度范围	-40° to +110° C

可配插/可连接使用的产品

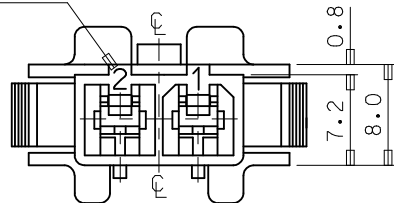
可配插部件

描述	产品编号
VersaBlade Hybrid Plug Housings	<u>35151</u>

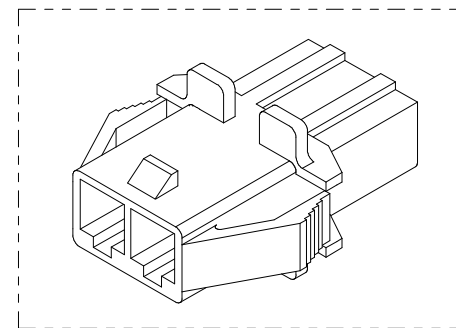
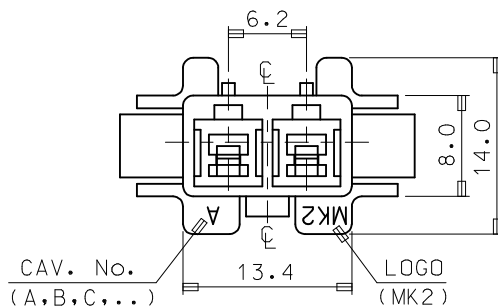
可连接使用部件

描述	产品编号
VersaBlade Terminal Position Assurance (TPA) Retainer, 6.20mm Pitch, 2 Circuits, Natural	<u>/content/molex/molex-dot-com/cn/zh/products/product-page.html/351500290.html</u>
VersaBlade Terminal Position Assurance (TPA) Retainer, 6.20mm Pitch, 2 Circuits, Red	<u>/content/molex/molex-dot-com/cn/zh/products/product-page.html/351500292.html</u>
VersaBlade Terminal Position Assurance (TPA) Retainer, 6.20mm Pitch, 2 Circuits, Yellow	<u>/content/molex/molex-dot-com/cn/zh/products/product-page.html/351500293.html</u>
VersaBlade Terminal Position Assurance (TPA) Retainer, 6.20mm Pitch, 2 Circuits, Blue	<u>/content/molex/molex-dot-com/cn/zh/products/product-page.html/351500294.html</u>
VersaBlade Male Crimp Terminals	<u>35745</u>

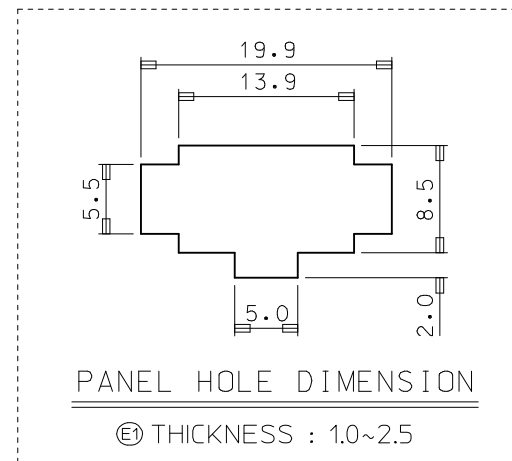
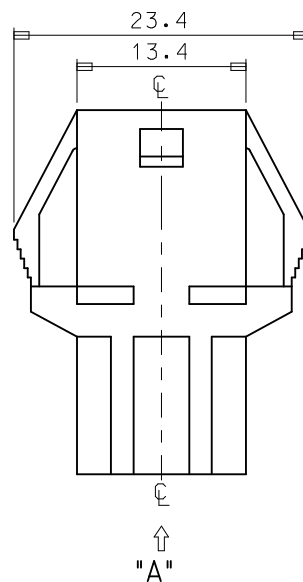
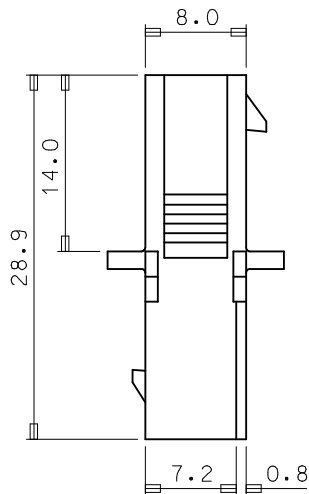
CIRCUIT No.



VIEW "A"



- NOTES
1. MATERIAL & COLOR : SEE TABLE
 2. MATING HOUSING : 35151-021*
 3. APPLICABLE TERMINAL : 35745-0*10
 - ④ 4. APPLICABLE TPA : 35150-029*



NO	PRODUCT		MATERIAL	
	PART NO	MATERIAL NO	COLOR	DESCRIPTION
1	35150-0210	351500210	NATURAL	PBT (UL94V-0)
2	35150-0212	351500212	RED	
3	35150-0214	351500214	BLUE	
4	35150-0219	351500219	NATURAL	PC/PET (UL94V-0)
5	35150-2219	351502219	RED	
6	35150-3219	351503219	YELLOW	
7	35150-4219	351504219	BLUE	

REVISED EC NO: KOR2014-0009 DRWN: JSSHIN 2013/07/19 CHKD: SHCHU 2013/07/19 APPR: YSKIMO2 2013/09/03	QUALITY SYMBOLS ▽=0 ◻=0	GENERAL TOLERANCES (UNLESS SPECIFIED)		DIMENSION STYLE MM ONLY	SCALE 2/1	DESIGN UNITS METRIC	THIRD ANGLE PROJECTION	
				DRAWN BY JS.KANG	DATE 1992/09/14	TITLE 6.2 PITCH W/W CONN MALE HSG-2P(W/EAR)		
				CHECKED BY BK.CHOI	DATE 1992/09/14	MOLEX INCORPORATED		
				APPROVED BY CW.LEE	DATE 1992/09/14	MATERIAL NO. SEE TABLE	DOCUMENT NO. SD-35150-0210	SHEET NO. 1 OF 01
D1	REV	DRAFT WHERE APPLICABLE MUST REMAIN WITHIN DIMENSIONS		THIS DRAWING CONTAINS INFORMATION THAT IS PROPRIETARY TO MOLEX INCORPORATED AND SHOULD NOT BE USED WITHOUT WRITTEN PERMISSION				