



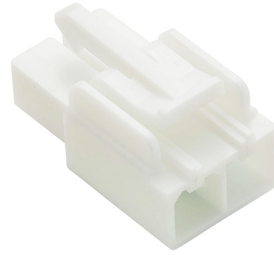
产品编号 : [351510210](#)

Product Description : VersaBlade Hybrid Plug Housing, 2 Circuits, Positive Lock, Natural

系列号 : 35151

状态 : Active

Product Category : Connector Housings



文件和资源

图纸

[图纸 351510210_sd.pdf](#)

3D 模型和设计文件

[3D模型 351510210_stp.zip](#)

规格

[应用规格 351500000AS_ENG-000.pdf](#)

[应用规格 351500000AS_KOR-000.pdf](#)

[包装规格 PK-35151-003-001.pdf](#)

[产品规格 PS-35150-001-001.pdf](#)

[产品规格 PS-35150-003-001.pdf](#)

产物环境合规

合规

| | |
|--------------------|--|
| GADSL/IMDS | Not Relevant |
| China RoHS | |
| EU ELV | Not Relevant |
| Low-Halogen Status | Not Low-Halogen per IEC 61249-2-21 |
| REACH SVHC | Contains TBBA per D(2023)3788-DC (14 Jun 2023) |
| EU RoHS | Compliant per EU 2015/863 |

多部分产品合规性声明

- Eu RoHS
- REACH SVHC
- Low-Halogen

多部分行业合规性文件

- IPC 1752A Class C
- IPC 1752A Class D
- Molex Product Compliance Declaration
- IEC-62474
- chemSHERPA (xml)

欧盟 RoHS 合格证书

产品详情

常规

| | |
|------|--|
| 状态 | 活动 |
| 类别 | Connector Housings |
| 系列 | 35151 |
| 说明 | VersaBlade Hybrid Plug Housing, 2 Circuits, Positive Lock, Natural |
| 应用 | Power, Wire-to-Wire |
| 产品系列 | VersaBlade Wire-to-Wire Connector System |
| 产品名称 | VersaBlade |
| UPC | 800754375566 |

机构

| | |
|-----|---------|
| CSA | LR19980 |
| UL | E29179 |

物理

| | |
|---------|---------|
| 电路数（最多） | 2 |
| 颜色-树脂 | Natural |
| 阻燃性 | 94V-0 |
| 性别 | Plug |
| 符合灼热丝规范 | 否 |
| 插接极性 | 无 |
| 锁定插接部位 | 是 |
| 材料 - 树脂 | PBT |
| 净重 | 1.726/g |
| 行数 | 1 |

| | |
|-----------|-----------------|
| 包装形式 | Bag |
| 面板安装式 | 否 |
| 间距 - 插配接口 | 6.20mm |
| 间距 - 终端界面 | 6.20mm |
| 有极性的插配件 | 是 |
| 可堆叠的 | 否 |
| 运行温度范围 | -40° to +120° C |

进程

| | |
|----|-----|
| 无铅 | 不适用 |
|----|-----|

可配插/可连接使用的产品

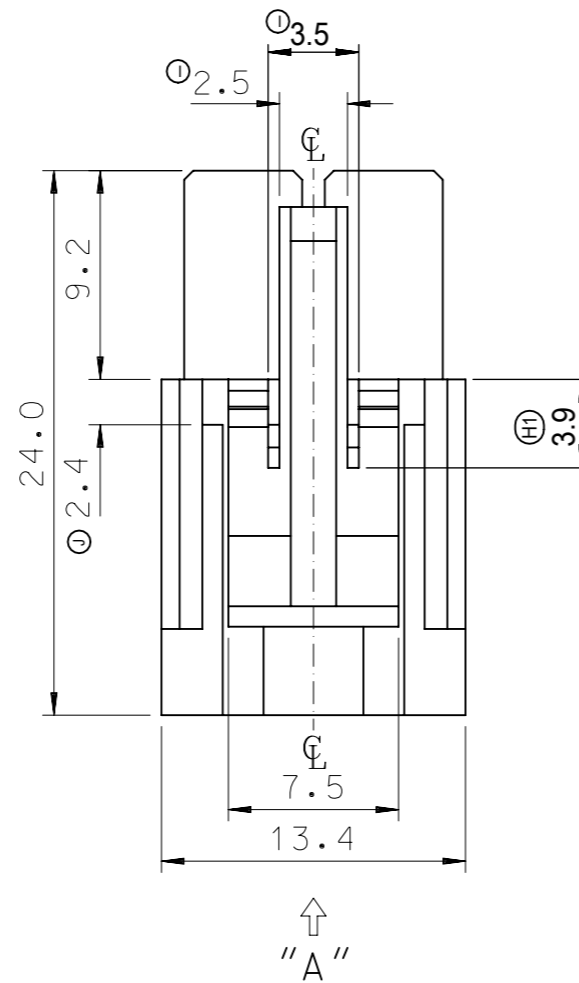
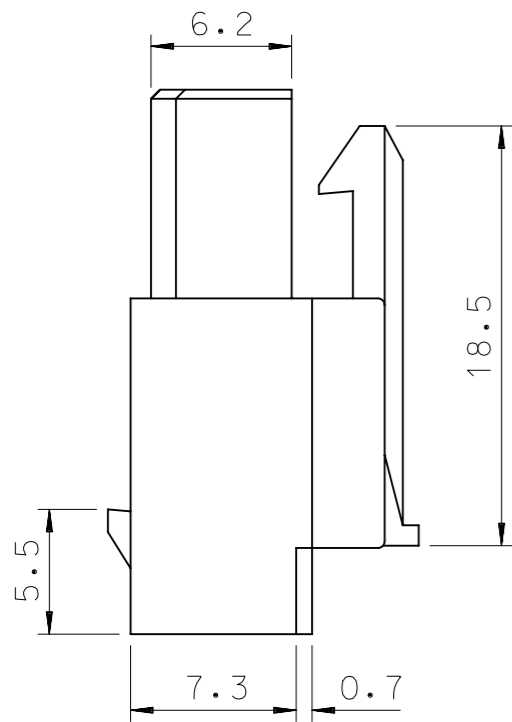
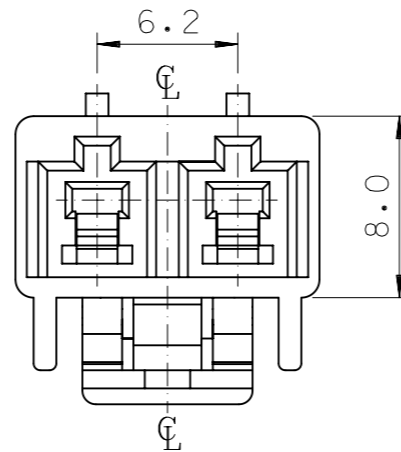
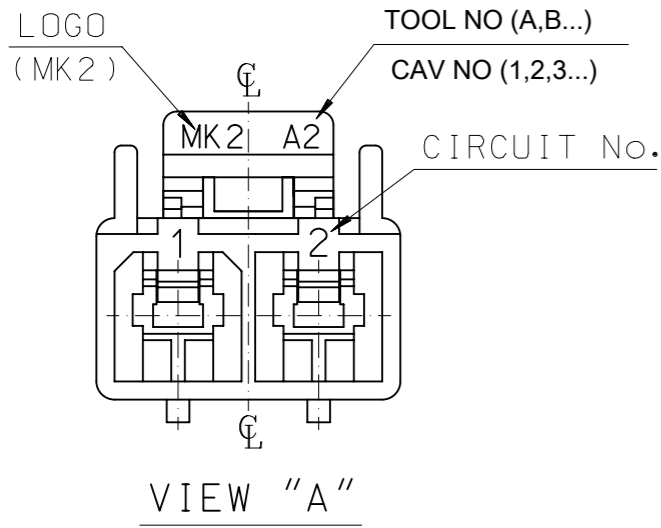
可配插部件

| 描述 | 产品编号 |
|--|-------------------|
| VersaBlade Multi-Module 2-3-4 Hybrid Receptacle Housing, 9 Circuits, Full Flange Panel Mount, Natural, Glow-Wire Capable | <u>2026500909</u> |
| VersaBlade Hybrid Receptacles Housings and TPAs | <u>35150</u> |
| VersaBlade Multi-Module 2-3-4 Hybrid Receptacle Housings | <u>35524</u> |

可连接使用部件

| 描述 | 产品编号 |
|--|--|
| VersaBlade Terminal Position Assurance (TPA) Retainer, 6.20mm Pitch, 2 Circuits, Natural | <u>/content/molex/molex-dot-com/cn/zh/products/product-page.html/351500290.html</u> |
| VersaBlade Terminal Position Assurance (TPA) Retainer, 6.20mm Pitch, 2 Circuits, Red | <u>/content/molex/molex-dot-com/cn/zh/products/product-page.html/351500292.html</u> |
| VersaBlade Terminal Position Assurance (TPA) Retainer, 6.20mm Pitch, 2 Circuits, Yellow | <u>/content/molex/molex-dot-com/cn/zh/products/product-page.html/351500293.html</u> |
| VersaBlade Terminal Position Assurance (TPA) Retainer, 6.20mm Pitch, 2 Circuits, Blue | <u>/content/molex/molex-dot-com/cn/zh/products/product-page.html/351500294.html</u> |
| VersaBlade Female Crimp Terminals | <u>35746</u> |

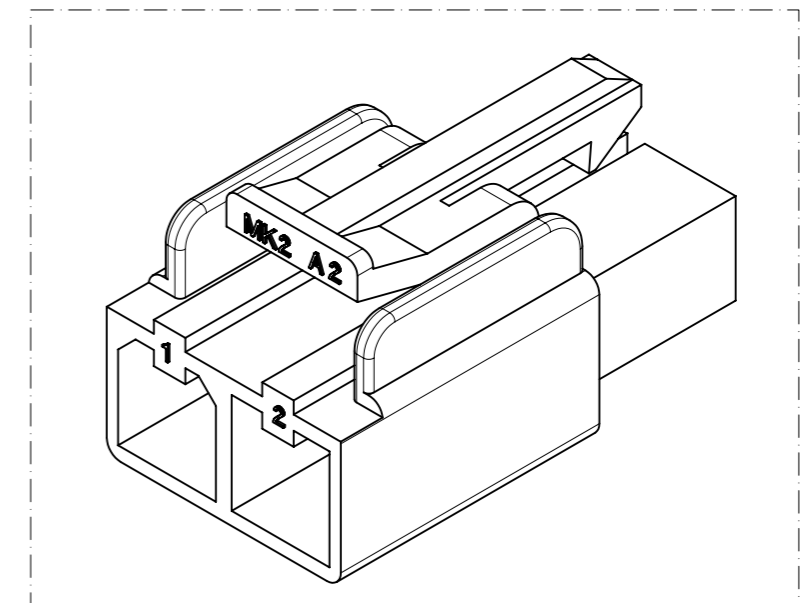
This document was generated on Jan 30, 2024



NOTES.
1. MATERIAL : SEE TABLE

| N O | PRODUCT | | MATERIAL | |
|--------|------------|-------------|----------|-------------------|
| | PART NO | MATERIAL NO | COLOR | DESCRIPTION |
| 1 | 35151-0210 | 351510210 | NATURAL | PBT UL94V-0 |
| 2 | 35151-0212 | 351510212 | RED | |
| 3 | 35151-0214 | 351510214 | BLUE | |
| 4 | 35151-0219 | 351510219 | NATURAL | PC/PET UL94V-0 |
| 5 | 35151-2219 | 351512219 | RED | |
| 6 | 35151-3219 | 351513219 | YELLOW | |
| 7 | 35151-4219 | 351514219 | BLUE | |

2. MATED HOUSING : 35150-020*, 35150-021*
 3. APPLICABLE TERMINAL : 35746-0*10
 4. APPLICABLE T.P.A : 35150-0290
 5. PRODUCT SPECIFICATION : PS-35150-001



| | | | | | | | | | |
|---|------------------------|---|------------------|-----------------|--|--------------|--|--|--|
| THIS DRAWING CONTAINS INFORMATION THAT IS PROPRIETARY TO MOLEX ELECTRONIC TECHNOLOGIES, LLC AND SHOULD NOT BE USED WITHOUT WRITTEN PERMISSION | | | | | | | | | |
| DIMENSION UNITS | SCALE | CURRENT REV DESC: REMOVED OBSOLETE PART NUMBER AS PER PCN#512606. | | | | | | | |
| mm | 3:1 | | | | | | | | |
| GENERAL TOLERANCES (UNLESS SPECIFIED) | | | | | 6.2 PITCH W/W CONN FEMALE HSG-2P | | | | |
| ANGULAR TOL | ± 1.0° | | | | PRODUCT CUSTOMER DRAWING | | | | |
| 4 PLACES | ± | EC NO: 764691 | DRWN: RAVINR1 | 2023/09/01 | DOCUMENT NUMBER: SD-35151-021X DOC TYPE: PSD DOC PART: 001 REVISION: J1 | | | | |
| 3 PLACES | ± | CHK'D: GGA | APPR: GGA | 2023/10/13 | | | | | |
| 2 PLACES | ± | INITIAL REVISION: | DRWN: RFC_PLMIMP | 2018/12/06 | | | | | |
| 1 PLACE | ± 0.3 | APPR: YUNSIKKIM | 2007/09/10 | | | | | | |
| 0 PLACES | ± | | | | | | | | |
| DRAFT WHERE APPLICABLE MUST REMAIN WITHIN DIMENSIONS | THIRD ANGLE PROJECTION | DRAWING | SERIES | MATERIAL NUMBER | CUSTOMER | SHEET NUMBER | | | |
| | | A3-SIZE | 35151 | SEE TABLE | GENERAL MARKET | 1 OF 1 | | | |